

[A Practical Guide to 'Free Energy' Devices](#)

Part D12: Last updated: 11th November 2007

Author: Patrick J. Kelly

The following is a translation into English, of the German-language commentary of the Pyramid video. The translation was made by Marcus Wagner, to whom I am most grateful.

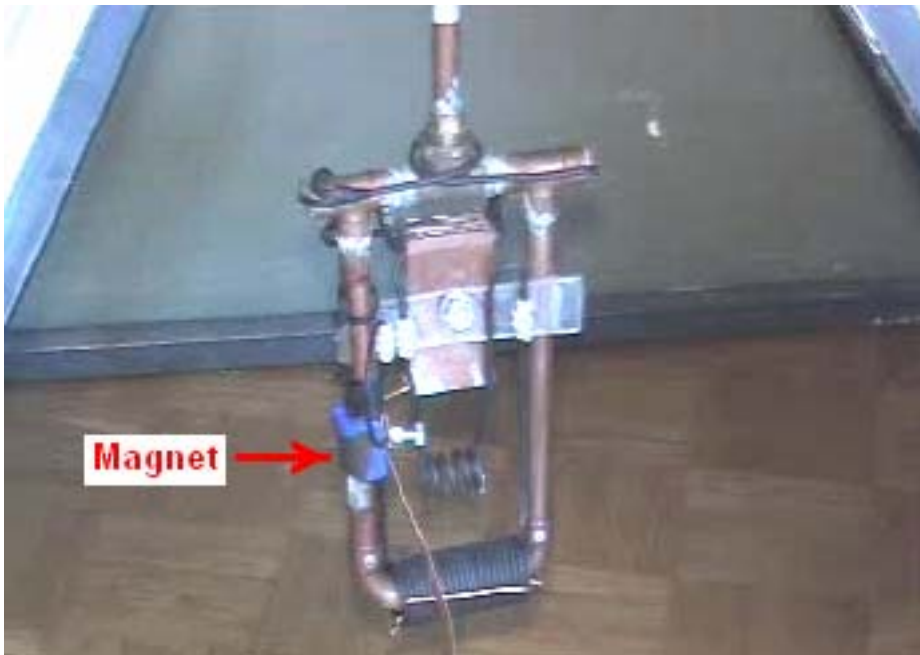
0:00 Hello. My name is **Flavio Thomas**, I am from Austria and today I want to show you a very special and rather revolutionary invention. My intention is to prove that this technology which I will show you now was probably in use several thousand years ago, so sit down and fasten your seatbelts.



- 0:31** Today I want to show you a new kind of energy, even though it may seem unbelievable at first. This practical and usable energy is available again today after a gap of thousands of years.
- 0:54** I must mention that there is indeed the possibility that this technology was used by our early ancestors. But time will tell when the experts give their verdict on this.
- 1:13** The theory is very simple and yet not that easy to understand fully. You see in front of you a pyramid made of metal. Neither the size of the pyramid nor the angle of its sides is in any way critical. I know this for a fact because I have constructed several pyramids of different sizes and angles and I can confirm that the size does not play a big role. However, there is one essential and critical item, which is that it is vital that the pick-up transducer and any associated components be placed exactly in the centre of the pyramid, that is, at the focal point of the pyramid.
- 1:55** Maybe you remember the story where some decades ago, small pyramids were used to sharpen razor blades placed inside them. Also, some scientists found that you can preserve food placed inside a pyramid, in roughly the same way as freeze-drying the food. But even to this day, it is not clear what force or energy is involved when a razor blade becomes sharper when placed inside a pyramid.
- 2:30** This Phenomenon has fascinated me for several years. I have been searching for a way to transform this unknown energy, which definitely comes from the pyramid, into a convenient usable form.
- 2:46** The principle of operation is very easy to understand. At the focal point of this pyramid, actually, slightly displaced from the focus, (I cannot explain clearly how this displacement is determined), I have mounted a capacitor, made of copper-plates. Let us discuss the construction materials:
- 3:10** The first two pyramids which I built, were of very simple construction. I tried to use only materials which have been available for the last 3,000 or 4,000 years. This idea caused major problems.
- 3:30** You see here my pyramid design Version 4. This pyramid is constructed using currently available materials. So in this construction there are one or two steel bolts, and acrylic plastic is used as an

insulator rather than tar. The frame supporting the sensor is made from copper pipe, which in my experience is the most effective material for this construction.

4:02 I will now explain the constructional details. But first let us have a look inside the pyramid, so that I can explain better...



4:17 Inside the Pyramid there is a "converter". This converter is made of the capacitor-plate in the middle and its supporting frame. The supporting frame is only there to hold the component in place. **(Note from Marcus: This is not strictly true. The support also performs bio-electrical stabilisation, and not just there to hold the sensor in place! So pay special attention to this part!)**

4:38 In the left area there is a small magnet...

4:44 (points to magnet), which works as an "emitter". This magnet **causes** the **initial oscillation**, which is essential for the system to work. Without this magnet, the system will not work. I will demonstrate this fact shortly.

5:00 The little standard "consumer electronics" load being used here is very interesting and I will show it to you more closely.

5:08 This little electrical load is there for one purpose and one purpose only: namely to run on the energy from the pyramid and demonstrate that a standard electrical device can run on this energy. Another important thing which is also demonstrated is that the energy coming from the pyramid is not used up but is continuously refreshed.

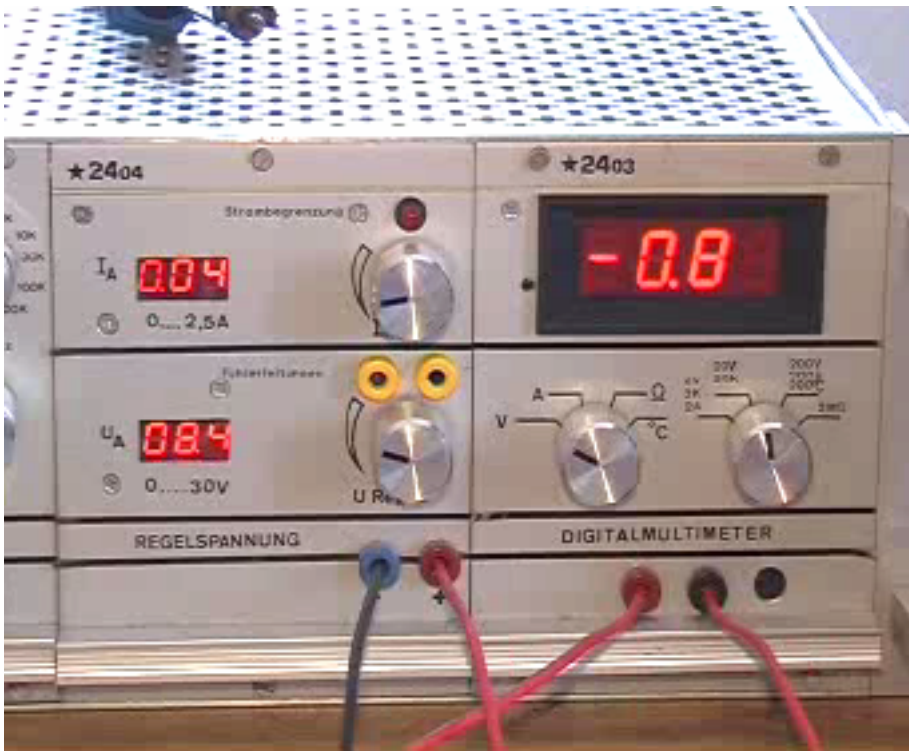


5:20 What you see here is a small standard PC cooling fan with a rating of 12V and a maximum current requirement of 1.1 Amps.



5:28 At this point in time, this fan has been running continuously for more than 30 days without running out of energy as the energy is continuously refreshed.

5:50 We have here, something which must be investigated further. It is something which our present day standard science just will not accept. You have now seen the most important details of the system. The pyramid supplies 8.4V. The fan is taking 0.8 amps, and as well as that, it produces an additional 0.05 amps of excess current.



6:23 This multimeter is not calibrated to a high degree of accuracy but it is easily accurate enough for this purpose, especially since the results agree with my other data and calculations.

6:48 On the left corner of the pyramid you see some marks on the floor.



6:58 This "scale" is very interesting and it is one of those things which I do not fully understand even to this day.

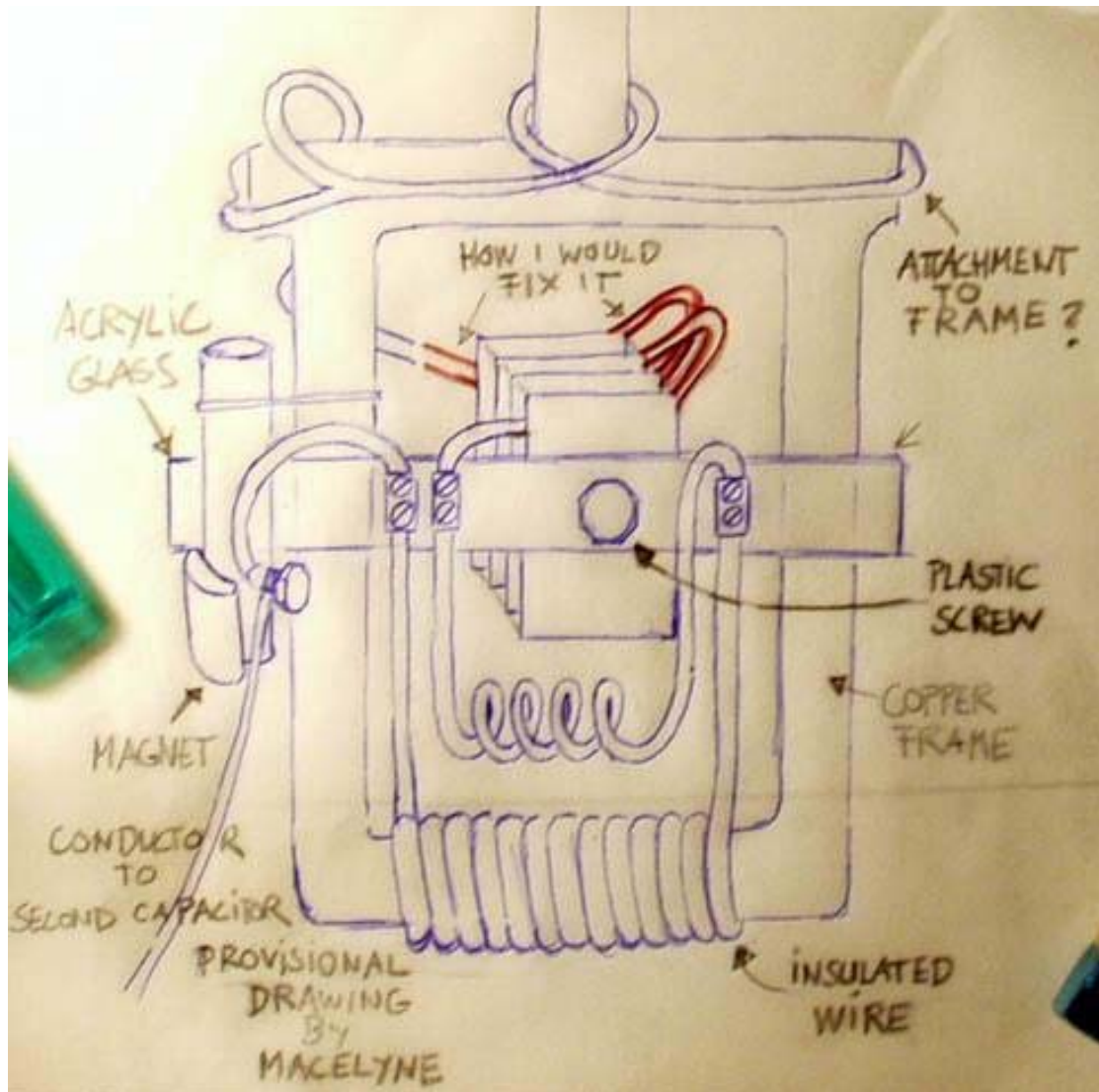
7:07 We discovered that when we aligned the pyramid in the exact North-South compass orientation, referencing the magnetic North pole, there were fluctuations in the voltage and current produced by the pyramid.

- 7:22** These fluctuations occurred daily in periods of about 8 or 9 hours, and they reduced the power output by somewhere between 5% and 8%.
- 7:32** By rotating the pyramid slightly, taking it to the outer lines marked on the floor, that is, a bit to the left, it was found that the fluctuations stopped occurring.
- 7:48** It is only when the pyramid is aligned accurately in the North-South direction that it produces significant power. We really do not yet understand why this is. There are so many other things to do with this technology which we do not understand. **(Note from Marcus: This orientation of the pyramid is a very important point)**
- 8:08** I want to show you on the oscilloscope that, especially in the higher frequencies, we have a totally pure DC, without any of the interference you get when using an ordinary transformer.
- 8:23** But rather oddly, the DC we get here sometimes does indeed have an AC component superimposed on it. This is another thing which we do not understand. If we wait a moment and we are lucky, I may be able to show you such a moment.
- 9:10** (Turning to the pyramid again). A very interesting effect is produced if we remove the "emitter" magnet from the system. The moment we do this, the fan which the pyramid is powering stops.
- 9:58** When we replace the magnet, (you hear the sound already) the motor runs again.
- 10:18** The strength of the magnet has never decreased. This means the power being produced is not coming from the magnet itself. This is something which other people find very difficult to accept. **(Note from Marcus: This is also a very important point)**
- 10:35** (Shows set-up).
- 11:11** (Close-up of emitter and "stabiliser frame"). **(Note from Marcus: pay special attention to the wires around the copper pipes)**

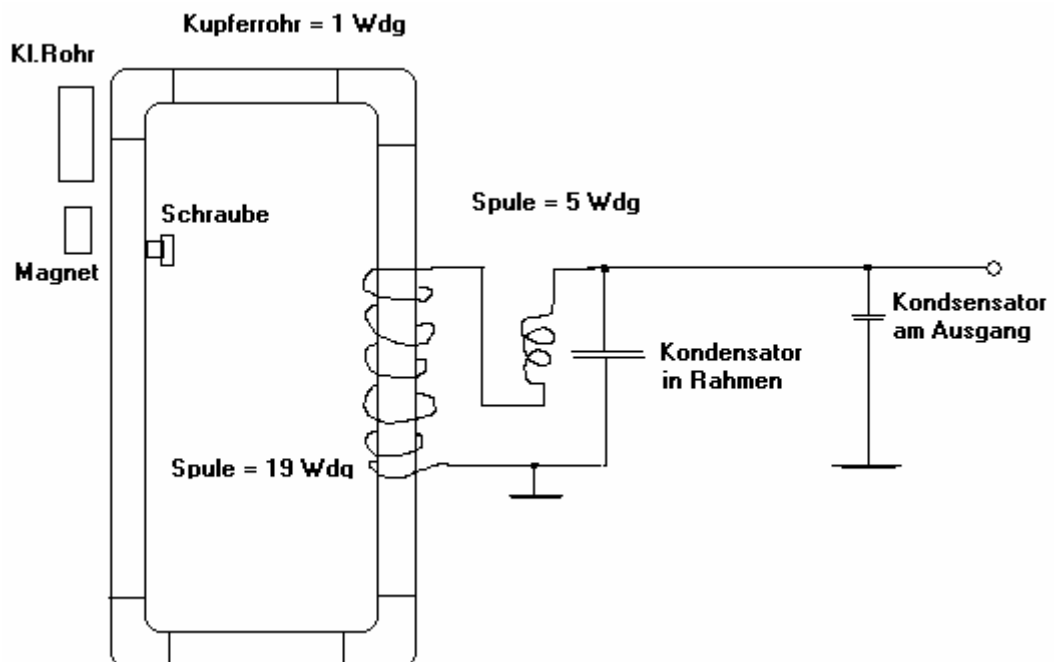


- 11:54** (Note special wiring)
- 12:17** (End of video)

Further information can be found on the <http://www.overunity.com/index.php/topic,695.0.html> forum and this includes the information that the Flavio Thomas in the video is the Austrian, Thomas Trawöger. Additional detail from the forum includes an attempt by Macelyne to identify some of the components:



and:



It is also pointed out that the focus point of a pyramid is one third of the pyramid height above the centre of the base, and that the best alignment is not exactly North-South (or East-West as the base is a square), but slightly off that which avoids a power drop during parts of the day.

It is difficult to believe that a shape on its own can produce an effect. However, today we find ourselves in the exciting position of examining a new physical aspect of our universe. The people working in the field of Quantum Mechanics assure us that we live in a sea of seething energy which makes itself visible even at the very low temperature of "absolute zero". There should be no movement at that temperature, but contrary to our expectations, energy *is* detected. It has therefore been named "Zero-Point Energy" or "ZPE" for short.

We are in the same position with ZPE as people were in 1902 when discussing heavier-than-air flight. Most people said that it was impossible, a surprising attitude when you consider that birds such as swans and geese weigh a considerable amount and yet they fly. It took 'crackpots' like the Wright Brothers and their competitors to go ahead and actually build and test the experimental devices which a few generations later produced aircraft which can fly at 9,000 mph. The problems which the Wright Brothers faced was a lack of basic experimental information and the total absence of background scientific analysis of the problem.

In the early days of radio, people struggled to discover how to send and receive signals. Many experiments had to be performed by 'crackpots' to build up the background information and scientific theory, on which our present day equipment is based. Almost none of the present day components were available to early experimenters, so they had to devise and construct each component and all of their measuring equipment as well. These were really impressive people who could turn their hand to glass-blowing, machining, metallurgy and many other fields of expertise.

Today we tend to think that research can only be done by large organisations with incredibly large funding. This is just not the case as individuals with no outside funding have made significant advances, over and over again.

The scientific method has been established for a long time now. Essentially, observations are made, experiments are performed and a theory is produced which fits all of the known facts. If additional facts are discovered, then the theory needs to be modified or replaced by another which includes all of the new facts. Established scientists find it difficult to adhere to the scientific principle. They are afraid of losing their reputation, their job or their funding and so are reluctant to investigate any new facts which indicate that some of their best-loved theories need to be revised. Fortunately, not being in the business, we can take new facts on board without any problem. In the light of what the Joe Cell does, this is just as well.

Let us see if we can put this in perspective. Consider an intelligent, well-educated person living several hundred years ago. Looking skyward at night, he sees the stars. The current theory was that the stars are fixed to a 'celestial sphere' which rotates around the Earth. That was a perfectly good theory which matched the known facts of the time. In fact, the concept matches the observed facts so well that some people who teach Astro Navigation to sailors still find it to be useful in teaching the subject today. If you told the average person of those days, that the stars were not very small but very large indeed, that the Earth is orbiting around the Sun and in fact, the Sun is one of those 'tiny' stars, then you would have been considered one of the 'lunatic fringe'.

Next, if you were to tell that person that there were invisible forces passing through the walls of his house and even through him, he would most certainly rate you as a bona fide member of the 'lunatic fringe'. However, if you then took several compasses into his house and demonstrated that they all pointed in the same direction, he might start to wonder.

Now, just to really establish your membership of the 'lunatic fringe' you tell him that one day there will be invisible rays passing through the walls of all buildings and that these rays will allow you to watch things happening on the other side of the world. Finally, to really complete the job, you tell him that there is a substance called Radium, and if he were to carry a piece around in his pocket, it would kill him by destroying his body with invisible rays.

Today, school children are aware of, the Solar System, magnetic lines of force, television and X-rays. Further, as the scientific theory has caught up, these children are not considered part of the 'lunatic fringe' but this knowledge is expected of them as a matter of course. The only thing which has changed is our understanding of the observed universe.

At the present time, we are faced with a number of observations which do not fit in with some of the current scientific theories. If we consider these things seriously, we run the risk of being considered part of the

'lunatic fringe' until such time as scientific theory catches up with us again. So be it, it is better to consider the observed facts than to pretend that they don't exist.

Present theory has worked well enough up to now, but we need to take on board the fact that since it does not cover all of the facts, it needs to be extended or modified. So, what observed facts are causing a problem? Well:

1. In Quantum Mechanics it has been found that some pairs of particles are linked together no matter how far apart they are physically. If you observe the state of one of the pair, the state of the other changes instantly. This happens far, far faster than the speed of light and that does not fit neatly into present theory.
2. If a substance is cooled down to Absolute Zero temperature, movement and energy is observed. This is called 'Zero-Point Energy'. So where does that fit into the theory?
3. There are several devices which are self-powered and which are capable of powering external loads. These things appear to act in defiance to the Law of Conservation of Energy.
4. The Aspden Effect indicates that our environment operates in a way not covered by current theory.
5. It is now known and fully accepted by science, that more than 80% of our universe is composed of matter and energy which we cannot see.
6. Even though our Sun is losing some five tons of mass per second, it is hotter and radiates more energy than can be accounted for by the fusion of the amount of hydrogen which would cause this loss of mass.
7. The inner core of the Earth is hotter than present theory would expect it to be.

These things indicate that current theory does not cover all of the observed facts. The present theory thinks of space as being a volume which contains no matter, other than perhaps, a tiny amount of inter-stellar dust. And while space can be traversed by radio waves and many other types of radiation, it is essentially empty.

I think we can be reasonably sure that this concept is not correct. All of the odd observed facts suddenly fit in if we understand that there is an additional field which streams through all of space and passes unnoticed through all matter. This field is composed of particles so tiny that they make an electron appear enormous. These particles may in fact be the 'strings' of String Theory. What is sure is that this stream of matter contains virtually unlimited energy.

It generates the energy seen at Absolute Zero as it is continually streaming in from outside the cold area. It flows to us from every direction, but especially along lines of magnetic force, and the sun being a major source of it, augments the flow we receive during the daytime. This accounts for the variations seen by Moray during the night when the energy he was picking up decreased somewhat.

This matter stream acts like a very dense gas except for the fact that events occurring in it have effectively zero propagation time. This accounts for the widely separated particles having what appears to be simultaneous reactions to a stimulus. Einstein's idea of the speed of light being an absolute maximum is definitely wrong, as has been demonstrated in the laboratory.

In the early stages of investigating a new field, it can be quite difficult to work out how to approach it, especially if the field is entirely invisible and can't be felt. The same situation was encountered in the early days of magnetism as lines of magnetic force are not visible and cannot be felt. However, when it was observed that iron was affected by magnetism, a mechanism was discovered for displaying where the invisible lines are located, by the use of iron filings. Interestingly, the presence of an iron bar alters the lines of magnetic force in the area as the lines "have a preference for" flowing through the iron, also, the filings become small magnets themselves and alter the display to give a false indication of the real situation.

We are still in the early stages of investigating the Zero-Point Energy field, so we have to consider anything which has an effect on this invisible field. One observed effect was found by Harold Aspden and has become known as the '**Aspden Effect**'. Harold was running tests not related to this subject. He started an electric motor which had a rotor mass of 800 grams and recorded the fact that it took an energy input of 300 joules to bring it up to its running speed of 3,250 revolutions per minute when it was driving no load.

The rotor having a mass of 800 grams and spinning at that speed, its kinetic energy together with that of the drive motor is no more than 15 joules, contrasting with the excessive energy of 300 joules needed to get it rotating at that speed. If the motor is left running for five minutes or more, and then switched off, it comes to rest after a few seconds. But, the motor can then be started again (in the same or opposite direction) and brought up to speed with only 30 joules **provided** that the time lapse between stopping and restarting is no more than a minute or so. If there is a delay of several minutes, then an energy input of 300 joules is needed to get the rotor spinning again.

This is not a transient heating phenomenon. At all times the bearing housings feel cool and any heating in the drive motor would imply an increase of resistance and a build-up of power to a higher steady state condition. The experimental evidence is that there is something unseen, which is put into motion by the machine rotor. That "something" has an effective mass density 20 times that of the rotor, but it is something that can move independently and its movement can take several minutes to decay, while in contrast, the motor comes to rest in a few seconds.

Two machines of different rotor size and composition reveal the phenomenon, and tests indicate variations with time of day and compass orientation of the spin axis. One machine, the one incorporating weaker magnets, showed evidence of gaining strength magnetically during the tests which were repeated over a period of several days.

Nikola Tesla found that uni-directional electric pulses of very short duration (less than one millisecond) cause shockwaves in this medium. These Radiant Energy waves passed through all materials and if they strike any metal object, they generate electrical currents between the metal and ground. Tesla used these waves to light glass globes which had just one metal plate. These lights do not have to be near the source of the Radiant Energy waves. He discovered many other features of these 'longitudinal' waves but one which is of particular interest is that when using his famous Tesla Coil, the waves produced visible streamers which showed what they were doing. What they were doing was running up the outside of the long inner wire coil, not through the wire, mark you, but along the outside of the coil, and when they reached the end of the coil, they continued on out into the air. Interestingly, Tesla believed that this flow of energy "preferred to run along the corrugations of the outside of the coil". That is to say, somewhat like magnetic lines showing a preference for running through iron, this energy field shows a preference for flowing along certain physical shapes.

Thomas Henry Moray developed equipment which could tap up to fifty kilowatts of power from this field. He found two very interesting facts. Firstly, the valves which he used to interact with the field, had a corrugated cylindrical inner electrode - an interesting shape considering Tesla's opinion on the corrugated outer surface of his coil. Secondly, Moray frequently demonstrated publicly that the power obtained by his equipment could flow uninterrupted through sheet glass while powering lightbulbs. Quite apart from demonstrating that the power was definitely not conventional electricity, it is very interesting to note that this power can flow freely through materials. I venture to suggest that Moray's power was not flowing through the wires of his apparatus but rather it was flowing along the outside of the wires.

Edwin Gray snr. managed to draw large amounts of power from a special tube which he designed. The tube contained a spark gap (like that used by Tesla) which produced Radiant Energy waves in the Zero-Point Energy field. He managed to collect energy from these waves, very interestingly, by using perforated (or mesh) cylinders of copper surrounding the spark gap. His 80 horsepower electric motor (and/or other equipment such as lightbulbs) was powered entirely from energy drawn from the copper cylinders while all of the electrical energy taken from the driving battery was used solely to generate the sparks.

It is very interesting to note that Tesla, Moray and Gray all indicate that corrugated or rough-surface cylinders seem to direct the flow of this energy. Aspden also indicates that once the field is set in motion in any locality, it tends to continue flowing for some time after the influence which is directing it is removed.

Please remember that we are starting to examine a new field of science, and while we know a very limited amount about it at this point in time, at a later date, every schoolchild will be completely familiar with it and find it hard to believe that we knew so little about it at the start of the twenty-first century. So, at this time, we are trying to understand how energy can be extracted from this newly discovered field. The indications are that the physical shape of some objects can channel this energy.

We come now to one item which the average person in the street would definitely consider to be slap bang in the very middle of the 'lunatic fringe'. However, knowing the influence of physical shape on this newly discovered energy field, it does not seem quite so unbelievable as it does to people not aware of those facts. Also, this is a fact which has been physically demonstrated, which puts it in the class of things which no

honest investigator can ignore. So what is it? It is the physical shape of a pyramid. It has been found that pyramid shapes, usually made from non-metallic materials, pick up outside power. The orientation of the pyramid relative to magnetic North is very important with a requirement for two of the bottom edges to be aligned exactly along a line running from magnetic North to magnetic South.

This is particularly interesting when you consider that the intriguing magnet/zinc-sheet energy pick-up device patented by Roy Meyers has to face North -- South to operate and it will not generate any output if it is turned to face East -- West.

All of these devices and discoveries by so many different people, lead us to the conclusion that the new Zero-Point Energy field has a tendency to be picked up by certain physical shapes, including pyramids, cones and corrugated or mesh cylinders. However, the effect of shape is not so outlandish as it may seem at first glance. A magnifying glass concentrates and focuses visible light coming from the sun, into a small point. The energy concentrated at that point raises the local temperature to a level quite capable of starting a fire. We are familiar with this, but please note that it requires a lens with two convex faces back to back in order to produce this concentrating shape. Other glass shapes may look very pretty but they will not do the job. So this is a well-known phenomenon which requires a particular physical shape.

The light coming from the sun can be seen, so let's take another example where the rays are not visible. You probably have seen a satellite dish. The dish collects incoming television signals ('transverse electromagnetic waves' for the technically minded) and concentrates them on to a pick-up sensor which then feeds the signal via an amplifier to the television set. Here we have a dish which needs to be a particular shape and which must be positioned very accurately. When it is set up right, it channels the invisible energy coming from the satellite into a piece of equipment in order to do useful work for you. Perhaps then, it is not so weird that this new ZPE field can be directed and concentrated by objects which have a particular shape.

We now come to the 'Joe' Cell. The information available is somewhat limited and frequently appears to be non-specific. There is a two-hour low-quality video record of Joe explaining and demonstrating different features of his system. Unfortunately, he shows various versions of his device and experimental tests which make it a little difficult to know what feature applies to which device. In spite of this, quite a number of very useful details can be determined:

1. The cell is capable of running an internal combustion engine.
2. The spark timing has to be advanced some forty degrees or so for the engine to run smoothly.
3. The cell contains a liquid which was originally ordinary water.
4. The cell contains one or more electrically isolated stainless steel mesh cylinders (although solid cylinders can be used).
5. If the cell has been running for two minutes and the battery is then disconnected, it can continue running for up to another hour.

The cell will not operate unless it is filled with 'conditioned' water. Joe explains that he conditions the water by suspending an electrode array in the water and applying 12 volts DC to it. The current is initially about 10 amps and if left over night the current drops to anywhere between 2 amps and 4 amps. Very interestingly, the electrode array is made up from truncated conical stainless steel fabrications, immediately bringing to mind Tesla's tapered coils and the pyramid shape just mentioned. Joe's array looks like this:



Joe describes it as being made up from seven cones (not strictly true as there is part of another cone inverted under the bottom cone) with the central cone connected to the battery positive and the top and bottom cones connected to the battery negative. That leaves two unconnected cones positioned between the negative and the two outer positive cones.

Can it really be true that the ZPE field runs down certain shapes, and possibly is focused by them? Some people who have researched this area for many years assure us that that is exactly what happens. This was generally publicised in the 1970s with cardboard pyramids which were supposed to keep new razor blades from getting blunt before use. It sounded ridiculous, but the really ridiculous thing about it was the fact that it does actually work.

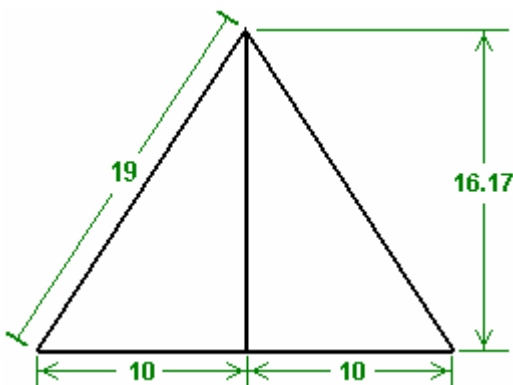
In 1949, Karl Drbal, a Czech radio technician became interested in the subject, and for a joke presented a pyramid to the Czech Patent Board, requesting a patent. The Board saw it as a joke and turned him down flat, on the basis that he had not clearly defined the principles of operation as to how the pyramid achieved the effect. That got Karl thinking, and he spent the next ten years investigating how the pyramid did it.

He spoke to Dr. Carl Benedicks of Stockholm who had experimented on how water affected steel. Dr. Benedicks found that water can reduce the hardness of steel by up to 22%. When testing used razor blades, he discovered that moisture in micro-cavities in the edge of the blade was particularly damaging and that it is difficult, if not impossible, to expel the water from these micro-cavities. Dr. Benedicks found that the pyramid form creates a vibrating field which causes a rapid dehydration of the metal blades, ridding them of the damaging moisture along the cutting edge. That cuts corrosion as well as allowing the steel to retain all of its hardness. When the blades are placed inside the pyramid, they need to be aligned with their long edge placed along the magnetic North - South line.

Karl Drbal went back to the Patent Board with his findings. The Czech Patent Board was composed of scientists and they always required a working model before issuing a patent. The chief examiner took the pyramid home and tested it for himself, using his own razor. The result was that Karl was awarded patent number 91,304 for his device. So the original joke ended up as a considered piece of research. While it would be easy to dismiss the pyramid as nothing more than an irrelevant oddity, it gives us a very important lead to the field which produces the vibrations inside the pyramid - namely the ZPE field.

Surprising confirmation of the dehydrating effect of a pyramid was provided by the Frenchman Antoine Bovis who went on holiday to Egypt in the 1930s and visited the Great Pyramid which was constructed exactly in the North - South direction (almost certainly not by accident) and to an accuracy of 0.01% or better. He discovered that a number of small animals had wandered into the pyramid, got lost and starved to death. The really interesting point was that all of these animals had been mummified through dehydration and none of the bodies had rotted away. When he returned home, he built a model pyramid with base edges three feet long. He found that his pyramid duplicated the dehydration effect. He, and others who followed him, investigated the effect of pyramids. They found:

1. The best shape is that which matches the dimensions of the Great Pyramid, whose faces slope at an angle of 51 degrees, 51 minutes and 10 seconds. Pyramids with other slopes will work, but not quite as well. If you would like to make one yourself and test the effects, then each of the four sides can be cut from stiff cardboard to these proportions:



So if the base length is to be 20 units, then the height at the mid point of the base will be 16.17 units.

If the base length is to be 25 units (mm, cm, inches, or whatever), then the height should be 20.21 units.

If the base is to be 30 units, then the height should be 24.26 units.

If the base is to be 35 units, then the height should be 28.3 units, and so on.

Just cut out four of the triangles and tape the edges together. It would be a good idea to add a square base piece (or triangular gussets) to ensure that the base is exactly square and not skewed.

2. There is no need for the pyramid faces to be solid, provided that there are four base sides and four sloping edges. Having solid sloping faces gives a slight improvement.

If building a framework pyramid, then the dimensions for the four base pieces and the four sloping edges would be:

Base: 20, edges: 19

Base: 25, edges: 23.76

Base: 30, edges: 28.52

Base: 35, edges: 33.27 and so on.

3. The best material from which to construct the pyramid is copper, but as it tends to be rather expensive, almost any other material can be used: plastic piping, timber laths, steel alloy pipes, wire, etc. Giving the pyramid a sheet-copper cap which runs down about 5% of the face length, giving a short solid face on the open framework also gives a slight improvement.

So, what can a pyramid do? Well, nothing, actually, except for directing and possibly concentrating and focusing the Zero-Point Energy field. Perhaps the question should be 'what effects are caused by using a pyramid?'

Well, as seen above, Flavio Thomas has managed to get a continuous electrical output via a pyramid for a period of at least thirty days. A very important point to note is that he uses a magnet as part of his pick-up arrangement, along with his coils and capacitors. The low-tech investigators have noted that an effect caused by a pyramid may be repeated for maybe nine times in a row, and then inexplicably, one day it will not work. They surmise that the effect may be caused by magnetic variations due to solar flares or the like. They may well be right in this as they are not using a magnet but just simple cardboard, or more frequently, simple frame pyramids. This area is wide open to investigation with very low-tech apparatus and passive electronic components.

What has been found repeatedly:

1. Living things placed under a pyramid shape are boosted in health and growth. You can test this easily for yourself by taking two identical plants or animals and keeping one under a pyramid and one outside the pyramid. An example of this is given on the website:

http://www.motherearthnews.com/library/1977_November_December/Pyramid_Power_Helps_My_Rabbits_Grow

where James Brock of Texas reports on tests he has run on a group of rabbits. He built a pyramid shaped hutch with 4-foot long sloping edges out of timber, and a rectangular hutch:

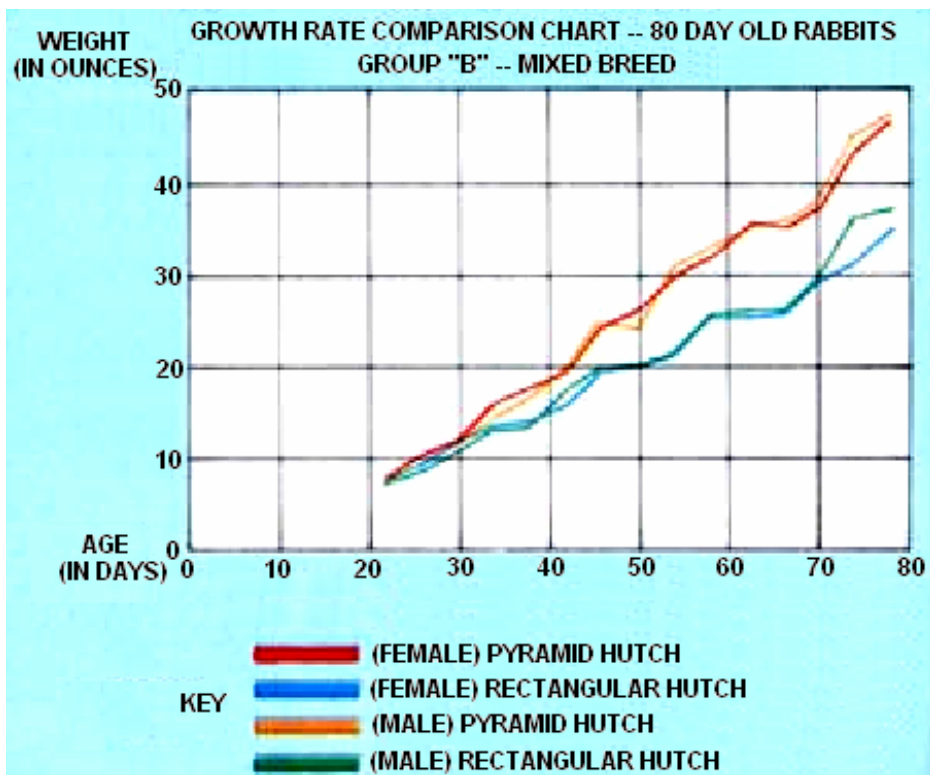
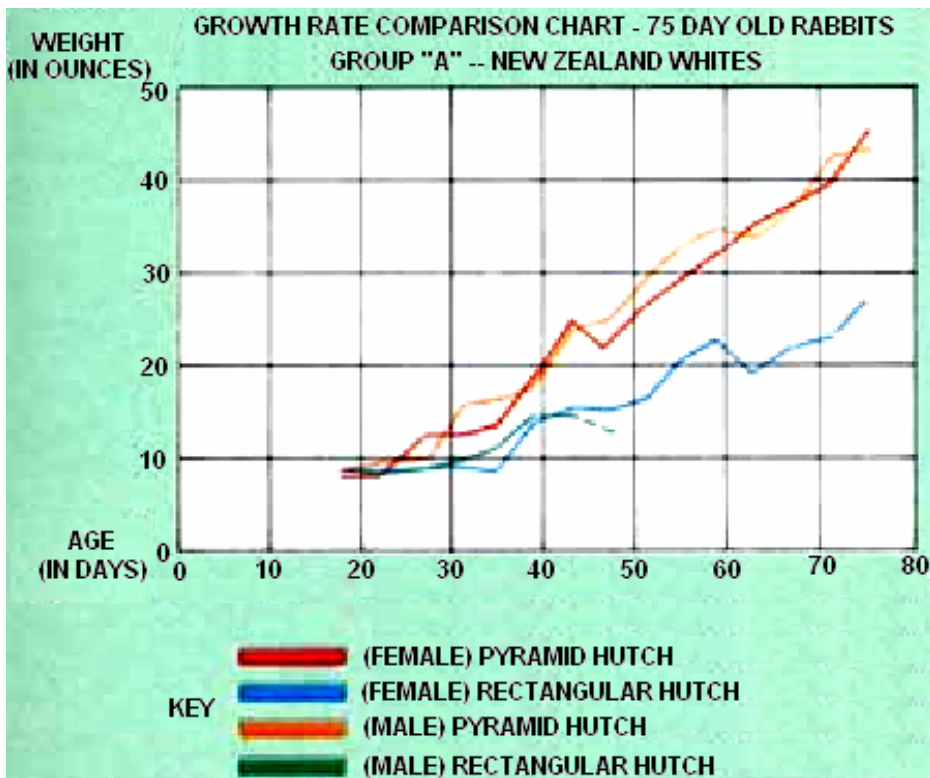


Each of the hutches had a transparent door. He then borrowed eight rabbits aged about 20 days old, taken from two different litters and placed them in matched groups of four in each hutch, and fed them equally, weighing them every four days.

By the end of the experiment, 57 days later, the rabbits which had been housed in the pyramid hutch weighed an average of 46.5 ounces, compared to an average of 34.5 ounces for those in the rectangular hutch. That is, the rabbits in the pyramid hutch were nearly 35% heavier and side by side they looked like this:



James presents the results like this:



James invites you to run this test for yourself to verify that this does indeed occur. It should be noted that as the test ran over a period of 57 days, any days lost through magnetic variation would not have been detected by him.

2. Pyramid users also state that they find the following effects on a consistent basis (provided that the pyramid is kept away from strong electromagnetic fields, so do not put a pyramid on top of a TV set or a refrigerator):

(a) Fruit is preserved. When a purchase of fresh fruit or vegetables is made, if they are placed under a pyramid for about an hour and then stored as they normally would, it is said that they stay fresh for at least twice as long as normal and the flavour is enhanced. It is believed that unhelpful micro-organisms

are killed by the pyramid. If the fruit and vegetables are kept indefinitely under the pyramid they eventually dry up instead of rotting.

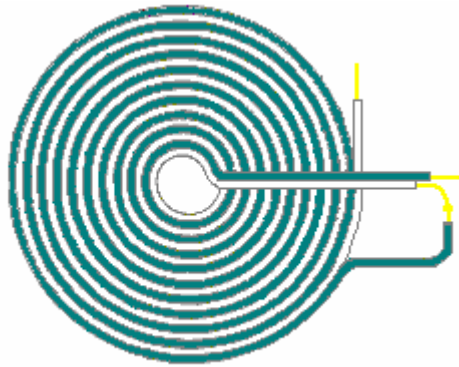
- (b) Food quality is enhanced. If frozen meat, fish or fowl is thawed out under a pyramid, the quality of the meat is said to be noticeably improved.
- (c) Coffee quality is improved. If a cup of coffee is left under a pyramid for about twenty minutes, it is said to gain a much more mellow flavour. Leaving ground coffee or a jar of instant coffee under a pyramid over night is also said to change it so the coffee made from it is of a much higher quality.
- (d) A glass of wine placed under a pyramid for twenty minutes is said to undergo a distinct change with great improvement seen in both the taste and the aroma. Other alcoholic drinks are also said to be improved by this process.
- (e) A twenty to thirty minute treatment of fruit juices is said to reduce the acidic "bite" of the drink, and in many cases, alter the colour of the juice.
- (f) Any item pickled in vinegar, such as olives and pickles, gain a greatly enhanced natural flavour and are greatly mellowed by the process.
- (g) The rapid growth of mould on Cheddar cheese can be overcome by the cheese being kept under a pyramid at normal room temperature. It is recommended that the cheese be wrapped in plastic to reduce the rate at which it dries out.
- (h) Rice and wheat can be kept in open jars under a (twelve-inch open frame wire) pyramid for at least four months without any form of deterioration or infestation by insects or flies - which are repelled by the energy inside the pyramid. A test was run outdoors with a six-foot base pyramid with food placed in the centre to attract ants. It was found that ants heading for the food followed a curved path out of the pyramid without ever reaching the food.
- (i) Water left under a pyramid is altered. Cut flowers placed in it tend to last 30% longer than normal while growing plants watered with it grow more strongly and are hardier. The water appears to hold the energy indefinitely, a glassful takes twenty minutes, a quart (two pints) takes one hour and larger amounts should be left over night. Animals given the choice of pyramid water or untreated water almost always choose the treated water.

3. In the 1940s, Verne Cameron of America discovered that the beneficial pyramid energy could be transmitted. He placed a pyramid at each end of a row of plants, connected a wire to the apex of each pyramid and ran the wire underneath the plants. He placed a clump of steel wool on the wire under each plant. The pyramids were, of course, aligned North--South and he found that even better results were obtained if the row of plants was also aligned in a North--South direction.

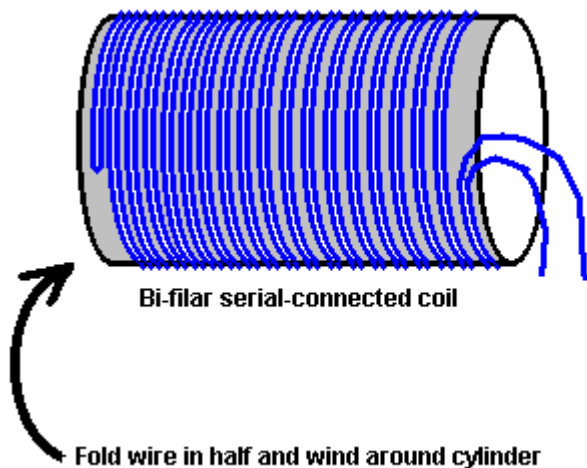
4. There are reports of instances where dogs suffering from old age, lameness and hair loss have been cured and rejuvenated in about six weeks by the use of a pyramid.

I suggest that the Great Pyramid in Egypt was most definitely not built as just a burial place but that the chamber inside it was used to treat people with large amounts of the energy picked up by the shape of the pyramid. It is also likely that the pyramid was used as a communications device, but that is outside the scope of this presentation.

The really important thing is that there is clearly an energy field (presumably the ZPE field) which flows continuously, is very beneficial to life and which can be tapped to produce unlimited motive power without the need for any kind of input from us. Just like the early discovery days of radio waves, TV signals, X-rays, Gamma rays, etc. we are in the discovery days of the Zero-Point Energy field. You, personally, have as much chance of being successful in harnessing this energy as any large research laboratory with unlimited financial resources. Remember that Flavio Thomas can drive an electrical fan using equipment which costs next to nothing. A cone shape with the same face slope as a pyramid is also an effective shape, and no matter how you position it, it always has a face pointing North--South. May I also remark that it might be worth experimenting with the "pancake" coil (called a bi-filar series-connected coil) patented by Tesla because he found that it was particularly effective in picking up Zero-Point Energy:



Flat 'pancake' coil winding method patented by Nikola Tesla



Other people have also investigated pyramid and cone shapes and they confirm that there is indeed a considerable effect from these shapes. **Peter Grandics** has been awarded US patent 6,974,110 for the collection of electrical energy from a pyramid shape. He tested the system both with an applied high voltage and without any applied voltage, and discovered electrical pick-up in both cases. Here is a digest of part of his patent:

SUMMARY OF THE INVENTION

This invention describes a simple technique to convert the energy of a DC electrostatic field into an alternating current by wrapping a coil around a pyramid. The resulting AC current can be rectified and used for practical purposes. A pyramid-shaped capacitor can also be used in an inverse mode of operation for the generation of propulsive force.

Accordingly, one embodiment of the present invention is a method for converting DC electrostatic energy into usable electrical energy, the method comprising the steps of:

- (1) Providing a capacitor of pyramidal shape;
- (2) Placing an insulated coil on the surface of the capacitor, the coil having leads;
- (3) Attaching a rectifier to the leads of the coil, the rectifier having leads; and
- (4) Attaching a capacitor or a battery to the leads of the rectifier so that DC electrostatic energy is converted into usable electrical energy.

DESCRIPTION OF THE PREFERRED EMBODIMENT

This invention describes a novel method of converting DC electrostatic energy into an AC current which can be rectified and used for practical purposes. The shape of the capacitor and the body of such device is designed to convert the DC electrostatic energy into the AC current for maximum effect.

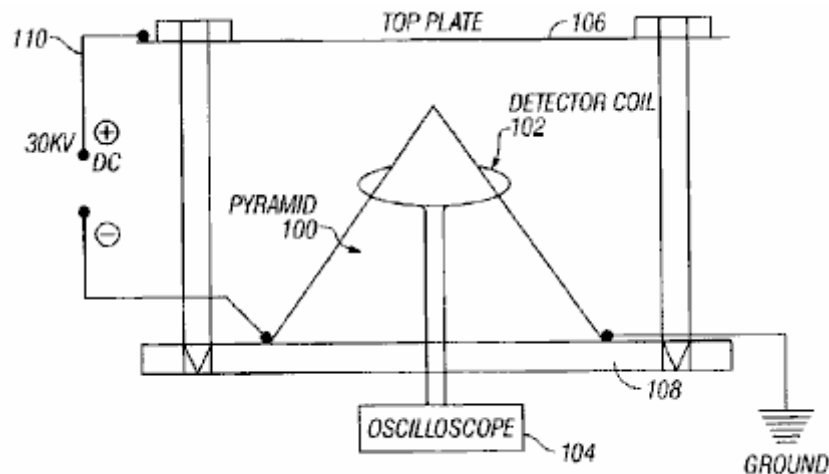


FIG. 1

A pyramidal or conical shape is preferred for one of the capacitor electrodes. In **Fig.1**, a detector coil **102** is provided that which connected to an oscilloscope **104**. The coil surrounds the metallic pyramid **100**. In the experimental set-up shown, the field is established between a top plate **106** and the pyramid **100** by using a ground **108** connected to a source of DC electrical energy **110**. When a high voltage DC field (30 kV) is established on such capacitor, a regularly repeating, clock-like signal is detected in the coil placed on the pyramid's surface (**Fig.2**). This is an unexpected observation as corona discharges are irregular by nature.

The alternating current from the coil can be rectified and used for practical purposes. If a suitable DC electrostatic field could be found in nature, this principle would be useful in tapping the energy of such field. To test for this possibility, I have measured the rectified signal from the coil without an external power source. The rectified coil output was collected in a capacitor and voltage measured at intervals of one hour. The voltage measured is significantly higher if the capacitor electrode is pyramid-shaped as opposed to a box-shaped electrode of the same height and volume. When the pyramid is placed inside a Faraday cage, the signal is excluded (see details in the Example). The data have demonstrated in principle that with this experimental set-up, electrical energy can be extracted from the Earth's electrostatic field. The Earth's surface and the ionosphere substitutes for the two charged electrodes, which exhibit negative and positive polarities, respectively.

EXAMPLE 1

Demonstration of the pyramid generator: For the experiments, I have selected a one-foot base length foam pyramid from a pyramid vendor (The Pyramid Project, Ft. Wayne, Ind.). The outside of the pyramid was covered with aluminium foil. The pyramid was placed on a 2 foot x 2 foot insulating polyethylene platform equipped with an adjustable height 2 foot x 2 foot size aluminium top plate, 1/16" thick. The height of the aluminium plate was adjusted as needed and a gap of 1.25" between the plate and the tip of the pyramid was used in the experiments. In some experiments, an aluminium pyramid was used with a wall thickness of 1/16".

A high voltage (HV) CRT power source producing 30 kV DC was taken from a colour monitor. I have assumed that an actual energy-producing pyramid should be relatively high in order to obtain a large voltage drop from its tip to the ground. Therefore, assuming a height of 100-150 m for a life-size pyramid and a voltage drop of 200-300 V/m near the surface of the Earth, the 30 kV is in the range of the voltage-drop expected for the height of a life-size pyramid.

The positive pole was attached to the top aluminium plate. This simulated the positive charge of the atmosphere. One corner of the pyramid was attached to the negative pole of the high voltage power source, while the opposite corner of the pyramid was grounded. This set-up served as a model for the electrostatic field distribution around a potential life-sized pyramid. As controls, either a 1 foot x 1 foot sheet of aluminium foil or an aluminium foil-covered box, having the main dimensions of the test pyramid (1' x 1' x 7.625"), was used as a negative pole. The detector coils were made by winding 20 turns of 24 gauge enamel-coated magnet wire, approximately 8 cm in diameter. A Tektronix high-frequency oscilloscope, Model no. 2236 was used for signal analysis.

The first sets of experiments were control measurements with a box of the same height and base length as the test pyramid. The detector coil was placed on the top of the box. Measurements were taken with or

without the high voltage applied. One corner of the box was attached to the HV power source (negative pole) and the opposite corner to the ground. The same arrangement was used for the flat square (1'x1') foil. The peak-to-peak signal amplitude for the box was 8 mV and the signal frequency was 2 MHz. For the flat foil sheet, the signal amplitude was 12 mV with a frequency of 1.43 MHz. The signal form was of a decaying sine wave.

When high voltage was applied to these shapes, signal amplitude of 14 mV was obtained for the flat sheet and of 16 mV for the box. The signal frequency was 1.54 MHz for the flat sheet and 2 MHz for the box. The waveforms were of decaying sine waves in all these experiments.

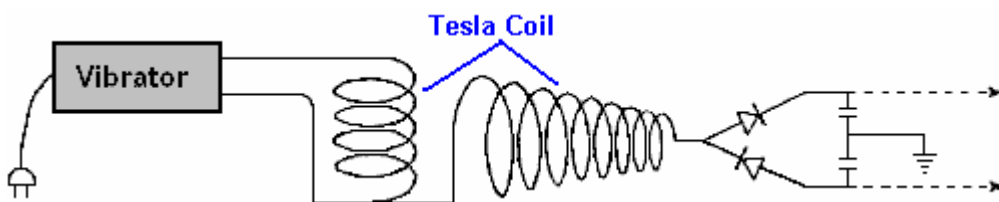
When the pyramid was tested without HV, the peak-to-peak signal amplitude was measured at 60 mV with a frequency of 2 MHz. When the high voltage was applied, the signal amplitude increased up to 180-200 mV, while the frequency remained at 2 MHz. The pyramid produced signal intensity significantly higher than the controls. The signal is regularly repeating, clock-like in nature (**Fig.2**). When a metal (aluminium) pyramid of the same size (wall thickness 1/16" inch) was tested in the same high voltage field using the same detection coil, a voltage of 1 to 1.5 V was detected at the frequency of 2 MHz.

To collect energy from the coil, a bridge rectifier (1000 V peak voltage at 6 A) was attached to the leads of the coil. The rectified current was fed into a capacitor (1500 microfarad, 250 V DC max.), and a direct current of 45 V was obtained. This has demonstrated a simple method to convert electrostatic energy into a continuous direct current. An 8-turn coil having an output of 200-300 V AC (peak-to-peak) was also used for energy conversion. The rectified current from the 8-turn coil powered a 0.186 W light bulb (**Fig.3**). Ideally, the bridge rectifier is made of fast-recovery diodes.

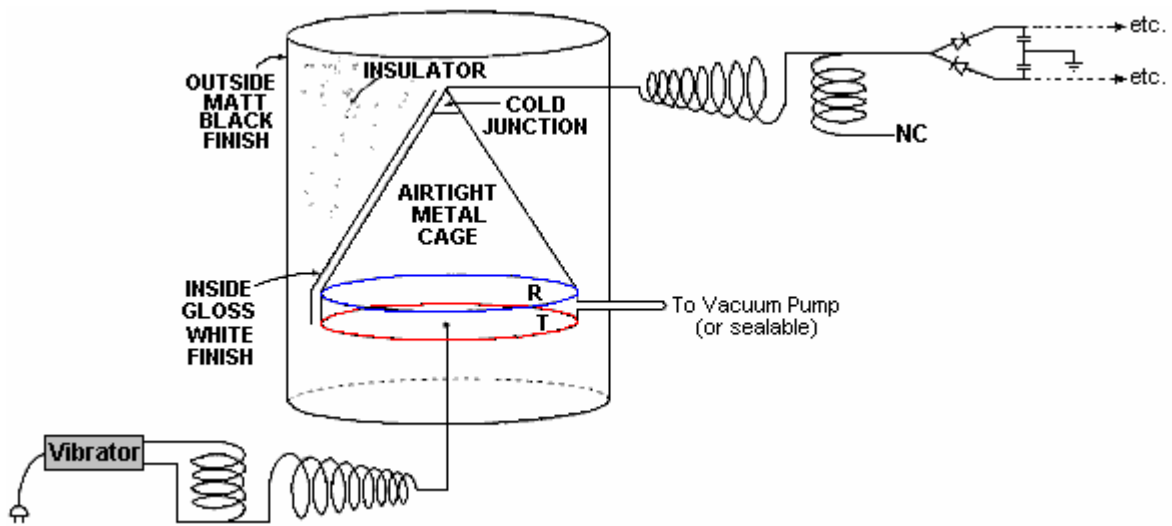
Even in the absence of an externally applied voltage, current is always present in the circuit. Charge builds up in the capacitor and 1 V was obtained overnight using the 20-turn coil set-up. Over 48 hours, a voltage of 5 V was measured. Faraday shielding practically prevented the phenomenon.

The preferred shape of the pyramid as a charge collector was again demonstrated in further experiments using the 8-turn coil-bridge rectifier-capacitor (1,500 microfarad) assembly placed on the 1 ft base length aluminium pyramid. A same-volume and height aluminium box was used as control. Charging times of 1-2 hours were used under fair-weather conditions. For the pyramid, 550 mV was measured on the capacitor while on the box 100 mV was obtained. This demonstrated the superiority of the pyramidal shape in capturing atmospheric electrostatic energy. It also demonstrated that we could tap into the electrostatic field of the atmosphere and draw electric energy. For the collection of energy, a battery could substitute for the capacitor.

Paulo and Alexandra Correa have also been awarded patents in this field. Their techniques range from applying the longitudinal wave energy coming from a Tesla Coil directly to two capacitors via diode rectification and the voltages generated are related directly to actual ground earth potential:



The patent application forms part of this set of documents so the full details can be examined. A theory of operation is presented based on their many experiments and observations, and the practical form of one of their conversion devices is:



Where the active pick-up plates **R** and **T** are encased in a cylinder and are provided with a cone shape to assist the procedure. The patent application contains a good deal of information and is worth considering.