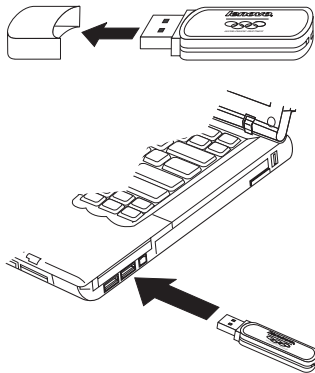


Lenovo USB 2.0 Essential Memory Key

This supplement provides information for the Lenovo™ USB 2.0 Essential Memory Key.



請直接將隨身碟插入電腦的 **USB** 插槽

Please plug the Memory Key directly into the USB port of computer.

The Lenovo USB 2.0 Essential Memory Key works with computers that use the following operating systems:

- Microsoft® Windows® 2000 Professional with Service Pack 4

- Microsoft Windows XP with Service Pack 2
- Microsoft Windows Vista™

La clé mémoire USB 2.0 Essential Lenovo fonctionne avec les ordinateurs utilisant les systèmes d'exploitation suivants :

- Microsoft Windows 2000 Professionnel avec Service Pack 4
- Microsoft Windows XP avec Service Pack 2
- Microsoft Windows Vista

La USB 2.0 Essential Memory Key Lenovo è compatibile con computers sui quali sono installati i seguenti sistemi operativi:

- Microsoft Windows 2000 Professional con Service Pack 4
- Microsoft Windows XP con Service Pack 2
- Microsoft Windows Vista

Der Lenovo USB 2.0-Essential-Memory-Key kann mit Computern verwendet werden, auf denen die folgenden Betriebssysteme installiert sind:

- Microsoft Windows 2000 Professional mit Service-Pack 4
- Microsoft Windows XP mit Service-Pack 2
- Microsoft Windows Vista

El Llavero de memoria Lenovo USB 2.0 Essential funciona con sistemas que trabajan con los siguientes sistemas operativos:

- Microsoft Windows 2000 Professional con Service Pack 4
- Microsoft Windows XP con Service Pack 2
- Microsoft Windows Vista

A Memory Key Essential USB 2.0 da Lenovo funciona em computadores que utilizam os seguintes sistemas operacionais:

- Microsoft Windows 2000 Professional com Service Pack 4
- Microsoft Windows XP com Service Pack 2
- Microsoft Windows Vista

Paměťový klíč Lenovo USB 2.0 Essential Memory Key lze používat na počítačích s těmito operačními systémy:

- Microsoft Windows 2000 Professional s aktualizací Service Pack 4
- Microsoft Windows XP s aktualizací Service Pack 2
- Microsoft Windows Vista

Paměťový klíč Lenovo USB 2.0 Essential funguje na počítačoch s týmito operačnými systémami:

- Microsoft Windows 2000 Professional, Service Pack 4
- Microsoft Windows XP, Service Pack 2
- Microsoft Windows Vista

Lenovo USB 2.0 Essential Memory Key, aşağıdaki işletim sistemlerinde çalışan bilgisayarlarda çalışır:

- Service Pack 4 içeren Microsoft Windows 2000 Professional
- Service Pack 2 içeren Microsoft Windows XP
- Microsoft Windows Vista

Lenovo USB 2.0 Essential Memory Key 用于使用以下操作系统的计算机:

- 具有 Service Pack 4 的 Microsoft Windows 2000 Professional
- 具有 Service Pack 2 的 Microsoft Windows XP
- Microsoft Windows Vista

Lenovo USB 2.0 Essential Memory Key 可在安裝下列作業系統的電腦上使用：

- Microsoft Windows 2000 Professional with Service Pack 4
- Microsoft Windows XP with Service Pack 2
- Microsoft Windows Vista

Lenovo USB 2.0 Essential メモリー・キーは、次のオペレーティング・システムの
コンピューターで動作します。

- Microsoft Windows 2000 Professional Service Pack 4
- Microsoft Windows XP with Service Pack 2
- Microsoft Windows Vista

Electronic emission notices

The following information refers to the Lenovo USB 2.0 Essential Memory Key.

Federal Communications Commission (FCC) Declaration of Conformity

Lenovo USB 2.0 Essential Memory Key - (41U4942)

This equipment has been tested and found to comply with the limits for a Class B digital device, pursuant to Part 15 of the FCC Rules. These limits are designed to provide reasonable protection against harmful interference in a residential installation. This equipment generates, uses, and can radiate radio frequency energy and, if not installed and used in accordance with the instructions, may cause harmful interference to radio communications. However, there is no guarantee that interference will not occur in a particular installation. If this equipment does cause harmful interference to radio or television reception, which can be determined by turning the equipment off and on, the user is encouraged to try to correct the interference by one or more of the following measures:

- Reorient or relocate the receiving antenna.
- Increase the separation between the equipment and receiver.
- Connect the equipment into an outlet on a circuit different from that to which the receiver is connected.
- Consult an authorized dealer or service representative for help.

Lenovo is not responsible for any radio or television interference caused by using other than recommended cables and connectors or by unauthorized changes or modifications to this equipment. Unauthorized changes or modifications could void the user's authority to operate the equipment.

This device complies with Part 15 of the FCC Rules. Operation is subject to the following two conditions: (1) this device may not cause harmful interference, and (2) this device must accept any interference received, including interference that may cause undesired operation.

Responsible party:

Lenovo (United States) Incorporated
5241 Paramount Parkway
Morrisville, NC 27650
Phone Number: 919-254-0532



Industry Canada Class B emission compliance statement

This Class B digital apparatus complies with Canadian ICES-003.

Avis de conformité à la réglementation d'Industrie Canada

Cet appareil numérique de la classe B est conforme à la norme NMB-003 du Canada.

EU-EMC Directive (89/336/EEC) as amended by Directive 93/86/EEC EN 55022 class B Statement of Compliance

Deutschsprachiger EU Hinweis:

Hinweis für Geräte der Klasse B EU-Richtlinie zur Elektromagnetischen Verträglichkeit Dieses Produkt entspricht den Schutzanforderungen der EU-Richtlinie 89/336/EWG zur Angleichung der Rechtsvorschriften über die elektromagnetische Verträglichkeit in den EU-Mitgliedsstaaten.

und hält die Grenzwerte der EN 55022 Klasse B ein.

Um dieses sicherzustellen, sind die Geräte wie in den Handbüchern beschrieben zu installieren und zu betreiben. Des Weiteren dürfen auch nur von der Lenovo empfohlene Kabel angeschlossen werden. Lenovo übernimmt keine Verantwortung für die Einhaltung der Schutzanforderungen, wenn das Produkt ohne Zustimmung der Lenovo verändert bzw. wenn Erweiterungskomponenten von Fremdherstellern ohne Empfehlung der Lenovo gesteckt/eingebaut werden.

Deutschland: Einhaltung des Gesetzes über die elektromagnetische Verträglichkeit von Geräten Dieses Produkt entspricht dem "Gesetz über die elektromagnetische Verträglichkeit von Geräten (EMVG)". Dies ist die Umsetzung der EU-Richtlinie 89/336/EWG in der Bundesrepublik Deutschland.

Zulassungsbescheinigung laut dem Deutschen Gesetz über die elektromagnetische Verträglichkeit von Geräten (EMVG) vom 18. September 1998 (bzw. der EMC EG Richtlinie 89/336) für Geräte der Klasse B Dieses Gerät ist berechtigt, in Übereinstimmung mit dem Deutschen EMVG das EG-Konformitätszeichen - CE - zu führen.

Verantwortlich für die Konformitätserklärung nach Paragraph 5 des EMVG ist die Lenovo (Deutschland) GmbH, Pascalstr. 100, D-70569 Stuttgart. Informationen in Hinsicht EMVG Paragraph 4 Abs. (1) 4:

Das Gerät erfüllt die Schutzanforderungen nach EN 55024 und EN 55022 Klasse B.

European Union - Compliance to the Electromagnetic Compatibility Directive

This product is in conformity with the protection requirements of EU Council Directive 89/336/ECC on the approximation of the laws of the Member States relating to electromagnetic compatibility. Lenovo cannot accept responsibility for any failure to satisfy the protection requirements resulting from a non-recommended modification of the product, including the fitting of option cards from other manufacturers.

This product has been tested and found to comply with the limits for Class B Information Technology Equipment according to European Standard EN 55022. The limits for Class B equipment were derived for typical residential environments to provide reasonable protection against interference with licensed communication devices.

Avis de conformité à la directive de l'Union Européenne

Le présent produit satisfait aux exigences de protection énoncées dans la directive 89/336/CEE du Conseil concernant le rapprochement des législations des Etats membres relatives à la compatibilité électromagnétique. Lenovo décline toute responsabilité en cas de non-respect de cette directive résultant d'une modification non recommandée du produit, y compris l'ajout de cartes en option non Lenovo.

Ce produit respecte les limites des caractéristiques d'immunité des appareils de traitement de l'information définies par la classe B de la norme européenne EN 55022 (CISPR 22). La conformité aux spécifications de la classe B offre une garantie acceptable contre les perturbations avec les appareils de communication agréés, dans les zones résidentielles.

Unión Europea - Normativa EMC

Este producto satisface los requisitos de protección del Consejo de la UE, Directiva 89/336/CEE en lo que a la legislación de los Estados Miembros sobre compatibilidad electromagnética se refiere.

Lenovo no puede aceptar responsabilidad alguna si este producto deja de satisfacer dichos requisitos de protección como resultado de una modificación no recomendada del producto, incluyendo el ajuste de tarjetas de opción que no sean Lenovo.

Este producto ha sido probado y satisface los límites para Equipos Informáticos Clase B de conformidad con el Estándar Europeo EN 55022. Los límites para los equipos de Clase B se han establecido para entornos residenciales típicos a fin de proporcionar una protección razonable contra las interferencias con dispositivos de comunicación licenciados.

Unione Europea - Directiva EMC (Conformidad electromagnética)

Questo prodotto è conforme alle normative di protezione ai sensi della Direttiva del Consiglio dell'Unione Europea 89/336/CEE sull'armonizzazione legislativa degli stati membri in materia di compatibilità elettromagnetica.

Lenovo non accetta responsabilità alcuna per la mancata conformità alle normative di protezione dovuta a modifiche non consigliate al prodotto, compresa l'installazione di schede e componenti di marca diversa da Lenovo.

Le prove effettuate sul presente prodotto hanno accertato che esso rientra nei limiti stabiliti per le apparecchiature di informatica Classe B ai sensi del Norma Europea EN 55022. I limiti delle apparecchiature della Classe B sono stati stabiliti al fine di fornire ragionevole protezione da interferenze mediante dispositivi di comunicazione in concessione in ambienti residenziali tipici.

Korea Class B Compliance

이 기기는 가정용으로 전자파 적합등록을 한 기기로서
주거지역에서는 물론 모든 지역에서 사용할 수 있습니다.

Japan VCCI Class B Compliance

この装置は、情報処理装置等電波障害自主規制協議会（VCCI）の基準に基づきクラスB情報技術装置です。この装置は、家庭環境で使用することを目的としていますが、この装置がラジオやテレビジョン受信機に近接して使用されると、受信障害を引き起こすことがあります。
取扱説明書に従って正しい取り扱いをして下さい。

Japanese statement of compliance for products less than or equal to 20 A per phase

高調波電流規格 JIS C 61000-3-2 適合品

Lenovo product service information for Taiwan

台灣 **Lenovo** 產品服務資訊如下：
荷蘭商思惟個人電腦產品股份有限公司台灣分公司
台北市信義區信義路五段七號十九樓之一
服務電話：**0800-000-700**

First Edition (January 2007)

© Copyright Lenovo 2007. All rights reserved.

U.S. GOVERNMENT USERS – RESTRICTED RIGHTS: Our products and/or services are provided with RESTRICTED RIGHTS. Use, duplication or disclosure by the Government is subject to the GSA ADP Schedule contract with Lenovo Group Limited, if any, or the standard terms of this commercial license, or if the agency is unable to accept this Program under these terms, then we provide this Program under the provisions set forth in Commercial Computer Software–Restricted Rights at FAR 52.227-19, when applicable, or under Rights in Data-General, FAR 52.227.14 (Alternate III).

China RoHS

The information in the following table is only applicable to products for sale in the People's Republic of China.
Les informations contenues dans le tableau suivant sont applicables uniquement aux produits en vente en République populaire de Chine.

Le informazioni nella seguente tabella sono applicabili soltanto a prodotti in vendita nella Repubblica Popolare Cinese.

Die Informationen in der folgenden Tabelle gelten nur für Produkte, die in der Volksrepublik China zum Verkauf angeboten werden.

La información de la tabla siguiente sólo es aplicable a productos a la venta en la República Popular de China.
As informações na tabela a seguir são aplicáveis somente a produtos enviados para China.

Informace uvedené v následující tabulce se vztahují pouze na produkty prodávané v České lidové republice.

Informácie v nasledujúcej tabuľke sa týkajú iba produktov predávaných v Čínskej ľudovej republike.

Aşağıdaki tabloda yer alan bilgiler yalnızca Çin Halk Cumhuriyeti'nde satılan ürünler için geçerlidir.

تطبيق المعلومات الموجودة في الجدول التالي على مبيعات المنتجات للأشخاص


다음 표에 나와있는 정보는 중국에서 판매되는 제품에만 적용됩니다.

下表中的信息仅适用于在中华人民共和国出售的产品。

下表中所提供的資訊僅適用於中國販售的產品。

下表の情報は、中華人民共和国 (PRC) で販売される製品にのみ適用されます。

Lenovo and the Lenovo logo are trademarks of Lenovo in the United States, other countries, or both.

有毒有害物质或元素							
Lenovo 选件	铅 (Pb)	汞 (Hg)	镉 (Cd)	六价铬 (Cr(VI))	多溴联苯 (PBB)	多溴二苯醚 (PBDE)	China ROHS 标识
USB 存储设备	X	O	O	O	O	O	
<p>O: 表示该有毒有害物质在该部件所有均质材料中的含量均在 MVC 标准规定的限量要求以下。</p> <p>X: 表示该有毒有害物质至少在该部件的某一均质材料中的含量超出 MVC 标准规定的限量。</p>							

Service and Support

The following information describes the technical support that is available for your product, during the warranty period or throughout the life of your product. Refer to the Lenovo Limited Warranty for a full explanation of Lenovo warranty terms.

Registering your option

Register to receive product service and support updates, as well as free and discounted computer accessories and content.

Go to <http://www.lenovo.com/register>

Online technical support

Online technical support is available during the lifetime of a product at <http://www.lenovo.com/support>.

Product replacement assistance or exchange of defective components also is available during the warranty period. In addition, if your option is installed in a Lenovo computer, you might be entitled to service at your location. A Lenovo technical support representative can help you determine the best alternative.

Telephone technical support

Installation and configuration support through the Customer Support Center will be available until 90 days after the option has been withdrawn from marketing. After that time, the support is cancelled, or made available for a fee, at Lenovo's discretion. Additional support is also available for a nominal fee.

Before contacting a Lenovo technical support representative, please have the following information as possible: option name and number, proof of purchase, computer manufacturer, model, serial number and manual, the exact wording of any error message, description of the problem, and the hardware and software configuration information for your system.

Your technical support representative might want to walk you through the problem while you are at your computer during the call.

For a list of Service and Support phone numbers, visit <http://www.lenovo.com/support/phone>.

Lenovo Limited Warranty

L505-0010-00 09/2006

This Lenovo Limited Warranty applies only to Lenovo hardware products you purchased for your own use and not for resale. This warranty may sometimes be referred to as the "Statement of Limited Warranty" (SOLW) in other documents from Lenovo.

What this Warranty Covers

Lenovo warrants that each hardware product is free from defects in materials and workmanship under normal use during the warranty period. The warranty period for the product starts on the original date of purchase specified on your invoice unless Lenovo informs you otherwise in writing. The warranty period and type of warranty service that apply to your product are designated below under the section titled "**Warranty Information.**"

THIS WARRANTY IS YOUR EXCLUSIVE WARRANTY AND REPLACES ALL OTHER WARRANTIES OR CONDITIONS, EXPRESS OR IMPLIED, INCLUDING, BUT NOT LIMITED TO, THE IMPLIED WARRANTIES OR CONDITIONS OF MERCHANTABILITY AND FITNESS FOR A PARTICULAR PURPOSE. SOME STATES OR JURISDICTIONS DO NOT ALLOW THE EXCLUSION OF EXPRESS OR IMPLIED WARRANTIES, SO THE ABOVE EXCLUSION MAY NOT APPLY TO YOU. IN THAT EVENT, SUCH WARRANTIES APPLY ONLY TO THE EXTENT REQUIRED BY LAW AND ARE LIMITED IN DURATION TO THE WARRANTY PERIOD. NO WARRANTIES APPLY AFTER THAT PERIOD. SOME STATES OR JURISDICTIONS DO NOT ALLOW LIMITATIONS ON HOW LONG AN IMPLIED WARRANTY LASTS, SO THE ABOVE LIMITATION ON DURATION MAY NOT APPLY TO YOU.

How to Obtain Warranty Service

If the product does not function as warranted during the warranty period, you may obtain warranty service by contacting Lenovo or an approved service provider. Each of them is referred to as a "Service Provider." A list of Service Providers and their telephone numbers is available at www.lenovo.com/support/phone.

Warranty service may not be available in all locations and may differ from location to location. Charges may apply outside a Service Provider's normal service area. Contact a local Service Provider for location-specific information.

What Your Service Provider Will Do to Correct Problems

When you contact a Service Provider, you must follow the problem determination and resolution procedures specified.

Your Service Provider will attempt to diagnose and resolve your problem over the telephone or through remote assistance. Your Service Provider may direct you to download and install designated software updates.

Some problems can be resolved with a replacement part that you install yourself (such as keyboard, mouse, speaker, memory, hard disk drive, or port replicator), called a "Customer Replaceable Unit" or "CRU." If so, your Service Provider will ship the CRU to you for you to install.

If your problem cannot be resolved over the telephone or remotely, through your application of software updates, or with a CRU, your Service Provider will arrange for service under the type of warranty service designated for the product under the section titled "**Warranty Information.**"

If your Service Provider determines that it is unable to repair your product, your Service Provider will replace it with one that is at least functionally equivalent.

If your Service Provider determines that it is unable to either repair or replace your product, your sole remedy is to return the product to your place of purchase or to Lenovo and your purchase price will be refunded.

Exchange of a Product or Part

When the warranty service involves the exchange of a product or part, the item your Service Provider replaces becomes Lenovo's property and the replacement becomes yours. All removed items must be genuine and unaltered. The replacement may not be new, but will be in good working order and at least functionally equivalent to the item replaced. The replacement assumes the warranty status of the replaced item.

Before your Service Provider exchanges a product or part, you agree to:

1. remove all features, parts, options, alterations, and attachments not under warranty service;
2. ensure that the product is free of any legal obligations or restrictions that prevent its exchange; and
3. obtain authorization from the owner to have your Service Provider service a product that you do not own.

Your Additional Responsibilities

Where applicable, before service is provided, you agree to:

1. follow the service request procedures that your Service Provider specifies;
2. backup or secure all programs and data contained in the product;
3. provide your Service Provider with all system keys or passwords and sufficient, free, and safe access to your facilities to permit the terms of this warranty to be fulfilled; and

4. ensure that all information about identified or identifiable individuals ("Personal Data") is deleted from the product or that, with respect to any remaining Personal Data you did not delete, you are in compliance with all applicable laws.

Use of Personal Information

If you obtain service under this warranty, Lenovo will store, use, and process information about your warranty issue and your contact information, including name, phone numbers, address, and e-mail address. Lenovo will use this information to perform service under this warranty and to improve our business relationship with you, such as to conduct internal reviews of the efficiency of the warranty service we provide to you. We may contact you to inquire about your satisfaction regarding our warranty service or to notify you about any product recalls or safety issues. In accomplishing these purposes, we may transfer your information to any country where we do business and may provide it to entities acting on our behalf. We also may disclose it where required by law or legal authorities to do so.

What this Warranty Does not Cover

This warranty does not cover the following:

- uninterrupted or error-free operation of a product;
- loss of, or damage to, your data;
- any software programs, whether provided with the product or installed subsequently;
- failure or damage resulting from misuse, accident, modification, unsuitable physical or operating environment, natural disasters, power surges, or improper maintenance by you;
- any third party products, including those that Lenovo may procure and provide with or integrate into the Lenovo product at your request; and
- any technical or other support, such as assistance with "how-to" questions and those regarding product set-up and installation.

This warranty is voided by removal or alteration of identification labels on the product or its parts.

Limitation of Liability

Lenovo is responsible for loss of, or damage to, your product only while it is 1) in your Service Provider's possession or 2) in transit in those cases in which the Service Provider is responsible for the transportation.

Neither Lenovo nor your Service Provider is responsible for any of your data including confidential, proprietary, or personal data contained in a product. You should remove and/or backup all such information from the product prior to its service or return.

Circumstances may arise where, because of a default on Lenovo's part or other liability, you may be entitled to recover damages from Lenovo. In each such instance, regardless of the basis on which you are entitled to claim damages from Lenovo (including fundamental breach, negligence, misrepresentation, or other contract or tort claim), except and to the extent that liability cannot be waived or limited by applicable laws, Lenovo is liable for no more than the amount of actual direct damages suffered by you, up to the amount you paid for the product. This limit does not apply to damages for bodily injury (including death) and damage to real property and tangible personal property for which Lenovo is required by law to be liable.

This limit also applies to Lenovo's suppliers, resellers, and your Service Provider. It is the maximum for which Lenovo, its suppliers, resellers, and your Service Provider are collectively responsible.

UNDER NO CIRCUMSTANCES IS LENOVO, ITS SUPPLIERS, RESELLERS, OR SERVICE PROVIDERS LIABLE FOR ANY OF THE FOLLOWING EVEN IF INFORMED OF THEIR POSSIBILITY: 1) THIRD PARTY CLAIMS AGAINST YOU

FOR DAMAGES; 2) LOSS OF, OR DAMAGE TO, YOUR DATA; OR 3) SPECIAL, INCIDENTAL, OR INDIRECT DAMAGES OR FOR ANY ECONOMIC CONSEQUENTIAL DAMAGES, INCLUDING LOST PROFITS, BUSINESS REVENUE, GOODWILL, OR ANTICIPATED SAVINGS. SOME STATES OR JURISDICTIONS DO NOT ALLOW THE EXCLUSION OR LIMITATION OF INCIDENTAL OR CONSEQUENTIAL DAMAGES, SO THE ABOVE LIMITATION OR EXCLUSION MAY NOT APPLY TO YOU.

Dispute Resolution

If you acquired the product in **Cambodia, Indonesia, Philippines, Vietnam or Sri Lanka**, disputes arising out of or in connection with this warranty shall be finally settled by arbitration held in Singapore and this warranty shall be governed, construed and enforced in accordance with the laws of Singapore, without regard to conflict of laws. If you acquired the product in **India**, disputes arising out of or in connection with this warranty shall be finally settled by arbitration held in Bangalore, India. Arbitration in Singapore shall be held in accordance with the Arbitration Rules of Singapore International Arbitration Center ("SIAC Rules") then in effect. Arbitration in India shall be held in accordance with the laws of India then in effect. The arbitration award shall be final and binding for the parties without appeal and shall be in writing and set forth the findings of fact and the conclusions of law. All arbitration proceedings shall be conducted, including all documents presented in such proceedings, in the English language, and the English language version of this warranty prevails over any other language version in such proceedings.

Other Rights

THIS WARRANTY GIVES YOU SPECIFIC LEGAL RIGHTS AND YOU MAY HAVE OTHER RIGHTS WHICH VARY FROM STATE TO STATE OR JURISDICTION TO JURISDICTION. YOU ALSO MAY HAVE OTHER RIGHTS UNDER APPLICABLE LAW OR WRITTEN AGREEMENT WITH LENOVO.

NOTHING IN THIS WARRANTY AFFECTS STATUTORY RIGHTS, INCLUDING RIGHTS OF CONSUMERS UNDER NATIONAL LEGISLATION GOVERNING THE SALE OF CONSUMER GOODS THAT CANNOT BE WAIVED OR LIMITED BY CONTRACT.

European Economic Area (EEA)

Customers in the EEA may contact Lenovo at the following address: Lenovo Warranty & Service Quality Dept., PO Box 19547, Inverkip Road, Greenock, Scotland PA16 9WX. Service under this warranty for Lenovo hardware products purchased in EEA countries may be obtained in any EEA country in which the product has been announced and made available by Lenovo.

This Lenovo Limited Warranty is available in other languages at www.lenovo.com/warranty.

Warranty information

Product or Machine Type	Country or Region of Purchase	Warranty Period	Type of Warranty Service
Lenovo USB 2.0 Essential Memory Key	Worldwide	1 year	1, 4

If required, your Service Provider will provide repair or exchange service depending on the type of warranty service specified for your product and the available service. Scheduling of service will depend upon the time of your call, parts availability, and other factors.

A warranty period of 1 year on parts and 1 year on labor means that Lenovo provides warranty service during the first year of the warranty period (or a longer period as required by law).

Types of Warranty Service

1. Customer Replaceable Unit ("CRU") Service

Under CRU Service, your Service Provider will ship CRUs to you for you to install. Most CRUs are easy to install whereas others may require some technical skill and tools. CRU information and replacement instructions are shipped with your product and are available from Lenovo at any time upon request. You may request that a Service Provider install some CRUs under one of the other types of warranty service designated for your product. Installation of external CRUs (such as mice, keyboards, or monitors) is your responsibility. Lenovo specifies in the materials shipped with a replacement CRU whether the defective CRU must be returned. When return is required, 1) return instructions, a prepaid return shipping label, and a container are included with the replacement CRU, and 2) you may be charged for the replacement CRU if your Service Provider does not receive the defective CRU within thirty (30) days of your receipt of the replacement.

2. On-site Service

Under On-Site Service, your Service Provider will either repair or exchange the product at your location. You must provide a suitable working area to allow

disassembly and reassembly of the Lenovo product. For some products, certain repairs may require your Service Provider to send the product to a designated service center.

3. Courier or Depot Service

Under Courier or Depot Service, your product will be repaired or exchanged at a designated service center, with shipping arranged by your Service Provider. You are responsible for disconnecting the product. A shipping container will be provided to you for you to return your product to a designated service center. A courier will pick up your product and deliver it to the designated service center. Following its repair or exchange, the service center will arrange the return delivery of the product to you.

4. Customer Carry-In or Mail-In Service

Under Customer Carry-In or Mail-In Service, your product will be repaired or exchanged at a designated service center, with delivery or shipping arranged by you. You are responsible to deliver or mail, as your Service Provider specifies, (prepaid unless specified otherwise) the product suitably packaged to a designated location. After the product has been repaired or exchanged, it will be made available for your collection. Failure to collect the product may result in your Service Provider disposing of the product as it sees fit. For Mail-in Service, the product will be returned to you at Lenovo's expense, unless your Service Provider specifies otherwise.

Guarantee supplement for Mexico

This supplement is considered part of the Lenovo Limited Warranty and shall be effective solely and exclusively for products distributed and commercialized within Territory of the Mexican United States. In the event of a conflict, the terms of this supplement shall apply.

All software programs pre-loaded in the equipment shall only have a thirty- (30) day guarantee for installation defects from the date of purchase. Lenovo is not responsible for the information in such software programs and/or any additional software programs installed by you or installed after purchase of the product.

Services not chargeable to the guarantee shall be charged to the final user, prior an authorization.

In the event that warranty repair is required please call the Customer Support Center at 001-866-434-2080, where you will be directed to the nearest Authorized Service Center. Should no Authorized Service Center exist in your city, location or within 70 kilometers of your city or location, the guarantee includes any reasonable delivery charges related to the transportation of the product to our nearest Authorized Service Center. Please call the nearest Authorized Service Center to obtain the necessary approvals or information concerning the shipment of the product and the shipment address.

To obtain a list of Authorized Service Centers, please visit:

<http://www.lenovo.com/mx/es/servicios>

Manufactured by:

SCI Systems de México, S.A. de C.V.
Av. De la Solidaridad Iberoamericana No. 7020
Col. Club de Golf Atlas
El Salto, Jalisco, México
C.P. 45680,
Tel. 01-800-3676900

Marketing by:

Lenovo de México, Comercialización y

Servicios, S. A. de C. V.
Alfonso Nápoles Gándara No 3111
Parque Corporativo de Peña Blanca
Delegación Álvaro Obregón
México, D.F., México
C.P. 01210,
Tel. 01-800-00-325-00

Lenovo Limited Warranty - Customer Notice

Lenovo Limited Warranty - Customer Notice

Please read the Lenovo Limited Warranty (LLW) at <http://www.lenovo.com/warranty>. The LLW is available in 30 languages at this Web site. If you cannot view the LLW, contact your local Lenovo office or reseller to obtain a printed version of the LLW.

Warranty Information applicable to your Machine:

1. Warranty Period: 1 year
2. Type of Warranty Service: Customer Replaceable Unit ("CRU") and Customer Carry-In or Mail-In Service
3. Lenovo Limited Warranty Version: L505-0010-00 09/2006

For warranty service consult the telephone list at www.lenovo.com/support/phone. Phone numbers are subject to change without notice.

Garantie Lenovo - Notification client

Veillez lire la Garantie Lenovo à l'adresse <http://www.lenovo.com/warranty>. Cette garantie est disponible en 30 langues sur le site Web. Si vous n'arrivez pas à l'afficher, prenez contact avec votre distributeur Lenovo ou avec le bureau Lenovo local afin d'en obtenir une version imprimée.

Informations relatives à la garantie applicable à votre machine:

1. Période de garantie : 1 an
2. Services prévus par la garantie : Unité remplaçable par l'utilisateur ("CRU") et Service de livraison ou d'expédition par le client
3. Version de la garantie : L505-0010-00 09/2006

Pour obtenir les services prévus par la garantie, consultez la liste de numéros de téléphone à l'adresse www.lenovo.com/support/phone. Les numéros de téléphone sont susceptibles d'être modifiés sans préavis.

Lenovo Limited Warranty - Avviso per il cliente

Si prega di leggere la dichiarazione di garanzia limitata Lenovo (LLW) sul sito <http://www.lenovo.com/warranty>. La dichiarazione di garanzia limitata (LLW) è disponibile in 30 lingue su questo sito Web. Se non è possibile visualizzare la dichiarazione di garanzia limitata (LLW), contattare l'ufficio locale Lenovo o il rivenditore per ottenerne una versione stampata.

Informazioni sulla garanzia applicabili alla macchina:

1. Periodo di garanzia: 1 anno
2. Tipo di servizio di garanzia: Customer Replaceable Unit ("CRU") e Customer Carry-In o servizio Mail-In
3. Versione di dichiarazione di garanzia limitata: L505-0010-00 09/2006

Per il servizio di garanzia, consultare l'elenco telefonico all'indirizzo www.lenovo.com/support/phone. I numeri telefonici sono soggetti a modifiche senza preavviso.

Lenovo Erklärung über begrenzte Gewährleistung - Hinweis für Kunden

Lesen Sie die Lenovo Erklärung über begrenzte Gewährleistung unter der Adresse <http://www.lenovo.com/warranty>. Die Erklärung über begrenzte Gewährleistung steht in 30 Sprachen auf dieser Website zur Verfügung. Wenn Sie die Erklärung nicht anzeigen können, wenden Sie sich an Ihre Lenovo Niederlassung oder Ihren Lenovo Reseller vor Ort, um eine gedruckte Version der Erklärung zu erhalten.

Für Ihre Maschine gelten folgende Gewährleistungsinformationen:

1. Gewährleistungszeitraum: 1 Jahr
2. Art des Gewährleistungsservice: "CRU"-Service (Customer Replaceable Unit, durch den Kunden austauschbare Funktionseinheit) und Anlieferung durch den Kunden oder per Versand
3. Lenovo Erklärung über begrenzte Gewährleistung: L505-0010-00 09/2006

Um Gewährleistungsservice in Anspruch zu nehmen, rufen Sie die entsprechende Telefonnummer aus der Liste unter der folgenden Adresse an: www.lenovo.com/support/phone. Telefonnummern können jederzeit ohne Vorankündigung geändert werden.

Garantía Limitada de Lenovo - Aviso para el cliente

Por favor, lea la Garantía Limitada de Lenovo que encontrará en <http://www.lenovo.com/warranty>. La Garantía Limitada de Lenovo está disponible en 30 idiomas en este sitio web. Si no puede visualizar la Garantía Limitada de Lenovo, póngase en contacto con su distribuidor u oficina local de Lenovo para obtener una versión impresa de la misma.

Información acerca de la garantía aplicable a su Máquina:

1. Periodo de garantía: 1 año
2. Tipo de servicio de garantía: Unidad reemplazable por el cliente ("CRU") y servicio de transporte por parte del usuario o correo
3. Versión de la Garantía Limitada de Lenovo: L505-0010-00 09/2006

Si desea información sobre el servicio de garantía, consulte la lista de teléfonos en www.lenovo.com/support/phone. Los números de teléfono están sujetos a cambio sin previo aviso.

Garantía Limitada da Lenovo - Aviso ao Cliente

Leia a LLW (Garantía Limitada da Lenovo) no endereço <http://www.lenovo.com/warranty>. A LLW está disponível em 30 idiomas neste Web site. Se você não conseguir visualizar a LLW, entre em contato com seu revendedor ou com um escritório da Lenovo para obter uma versão impressa da LLW.

Informações de Garantia aplicáveis à sua máquina:

1. Período de Garantia: 1 ano
2. Tipo de Serviço de Garantia: Serviço CRU (Unidade Substituível pelo Cliente) e Serviço de Entrega e Correio
3. Versão da Garantia Limitada da Lenovo: L505-0010-00 09/2006

Para obter o serviço de garantia, consulte a lista telefônica em www.lenovo.com/support/phone. Os números de telefone estão sujeitos a alteração sem aviso prévio.

Omezená záruka Lenovo - upozornění pro zákazníky

Přečtěte si prosím Omezenou záruku Lenovo (Lenovo Limited Warranty, LLW) na webové stránce <http://www.lenovo.com/warranty>. Text Omezená záruka (LLW) je k dispozici v 31 jazycích. Pokud si text LLW nemůžete prohlédnout, vyžádejte si vytištěnou verzi od místního zastoupení Lenovo nebo od prodejce.

Informace o záruce platné pro tento stroj:

1. Záruční doba: 1 rok.
2. Typ záručního servisu: 'CRU' (Customer Replaceable Unit, díly vyměnitelné zákazníkem) a servis typu Customer Carry-In nebo Mail-In.
3. Omezená záruka Lenovo verze L505-0010-00 09/2006.

Informace o záručním servisu získáte na telefonních číslech uvedených na webové stránce www.lenovo.com/support/phone. Telefonní čísla se mohou měnit bez předchozího upozornění.

Vyhlasenie pre zákazníkov o obmedzenej záruke Lenovo

Prečítajte si vyhlásenie o obmedzenej záruke Lenovo (LLW) na webovej stránke <http://www.lenovo.com/warranty>. LLW je na tejto stránke k dispozícii v 31 jazykoch. Ak si nemôžete zobrazit' LLW, kontaktujte pobočku spoločnosti Lenovo alebo jej predajcu a požiadajte o tlačenu verziu LLW.

Záručné informácie platné pre váš počítač:

1. Záručná lehota: 1 rok
2. Typ záručního servisu: Servis CRU (zákazníkom vymeniteľné dielce) a služba doručenia alebo poslania zákazníkom
3. Verzia vyhlásenia Lenovo o obmedzenej záruke: L505-0010-00 09/2006

Záručný servis je k dispozícii na telefónnych číslach uvedených v zozname na webovej stránke www.lenovo.com/support/phone. Telefónne čísla môžu byť zmenené bez predchádzajúceho upozornenia.

Lenovo Uluslararası Garanti-Müşteri Bildirimi

Lütfen <http://www.lenovo.com/warranty> adresindeki Lenovo Uluslararası Garanti (LLW) belgesini okuyun. LLW belgesi bu adreste 31 dile çevrilmiştir. LLW belgesini görüntüleyemezseniz, yerel Lenovo ofisine ya da yetkili satıcısına başvurarak LLW belgesinin yazılı bir kopyasını edinin.

Makinenin için geçerli olan garanti bilgileri:

1. Garanti Süresi: 2 yıl
2. Garanti Hizmetinin Tipi: Müşteri Tarafından Teslim ya da Postayla Teslim Hizmeti
3. Lenovo Uluslararası Garanti Sürümü: 505-0010-00 09/2006

Garanti hizmeti için www.lenovo.com/support/phone adresindeki telefon listesine bakın. Telefon numaraları bildirilmeden değiştirilebilir.

Lenovo 客户有限保证声明

请阅读位于 <http://www.lenovo.com/warranty> 的 Lenovo 有限保证声明 (LLW)。此 Web 站点上具有 31 种语言版本的 LLW。如果不能查看 LLW，请联系您本地的 Lenovo 营业处或经销商来获得印刷版本的 LLW。

适用于您机器的保修信息：

1. 保修期：1 年
2. 保修服务类型：客户可更换部件 (CRU) 和客户送修或
邮寄服务
3. Lenovo 有限保证声明版本：L505-0010-00 09/2006

有关保修服务的信息，请查询电话列表，地址为：www.lenovo.com/support/phone。
电话号码如有更改，恕不另行通知。

Lenovo 有限保證 - 客戶注意事項

請閱讀 <http://www.lenovo.com/warranty> 網站上的有限保證 (LLW)。LLW 共有 31 個語言版本，您可從這個網站取得。如果您無法檢閱 LLW，請聯絡當地的 Lenovo 辦公室或轉銷商以取得印刷版的 LLW。

您機器的保固資訊如下：

1. 保固期限：1 年
2. 保固服務類型：客戶可自行更換組件 ("CRU") 及客戶親自或郵寄送修服務
3. Lenovo 有限保證版本：L505-0010-00 09/2006

您可以從 www.lenovo.com/support/phone 網站取得保固維修電話清單。電話號碼若有變更恕不另行通知。

Lenovo 保證的內容和制限 - お客様へのお知らせ

<http://www.lenovo.com/warranty> にある「Lenovo 保證的內容和制限」をお読みください。

「Lenovo 保證的內容和制限」は 31 か国語で提供され、この Web サイト でご覧になれます。

「Lenovo 保證的內容和制限」をご覧になれない場合、お近くの Lenovo 事業所または販売店にお問い合わせいただければ、印刷された「Lenovo 保證的內容和制限」を入手いただけます。

ご使用のマシンの保證情報は次のとおりです：

1. 保證期間：1 年
2. 保證サービスの種類：お客様での取替え可能部品 (CRU: Customer Replaceable Unit) および持ち込みまたは郵送サービス
3. 「Lenovo 保證的內容和制限」のバージョン：L505-0010-00 09/2006

保證サービスについては、www.lenovo.com/support/phone のリストにある電話番号にお問い合わせください。電話番号は、予告なしに変更される場合があります。

بيان Lenovo للضمانات المحدودة - اخطار العميل

برجاء قراءة بيان Lenovo للضمانات المحدودة (LLW) Lenovo Limited Warranty على موقع الانترنت <http://www.lenovo.com/warranty>. بيان Lenovo للضمانات المحدودة LLW متاح في ثلاثين لغة ويمكن مشاهدته على موقع الانترنت هذا. اذا لم يمكنك مشاهدة بيان Lenovo للضمانات المحدودة LLW، اتصل بالوكيل المعتمد لشركة Lenovo للحصول على النسخة المطبوعة من بيان Lenovo للضمانات المحدودة.

معلومات الضمان التي سيتم تطبيقها على الآلة الخاصة بك:

1. فترة الضمان : خلال فترة السريان
2. نوع خدمة الضمان : الوحدة التي يمكن استبدالها بواسطة العميل ("CRU") وخدمة في حالة قيام العميل بحمل الآلة لمكان أداء الخدمة أو إرسالها بواسطة البريد.

3. نسخة بيان Lenovo للضمانات المحدودة: L505-0010-00 09/2006

بالنسبة لخدمة الضمان، ارجع الى كشف التليفونات بالموقع www.lenovo.com/support/phone. أرقام التليفونات عرضة للتغيير بدون أي اخطار.

Lenovo Ограничена гаранция - Забележка за клиента

Моля, прочетете Lenovo Ограничената гаранция (LLW) на <http://www.lenovo.com/warranty>. LLW е достъпна на 31 езика на този Web сайт. Ако не можете да прегледате LLW, свържете се с местния офис или представител на Lenovo, за да получите отпечатаната версия на LLW.

Гаранционна информация, приложима за вашата Машина:

1. Гаранционен период: 1 година
2. Тип на гаранционно обслужване: Подменяеми от клиента части ('CRU') и Обслужване с доставка от клиента или по пощата
3. Lenovo ограничена гаранция Версия: L505-0010-00 09/2006

За гаранционно обслужване направете справка в списъка с телефони на www.lenovo.com/support/phone. Телефонните номера подлежат на промяна без предизвестие.

Lenovo ograničeno jamstvo - Napomena za korisnika

Molimo pročitatite Lenovo ograničeno jamstvo (LLW) na <http://www.lenovo.com/warranty>. LLW je dostupno na 31 jezika na ovoj Web stranici. Ako ne možete vidjeti LLW, kontaktirajte lokalni Lenovo ured ili prodavača i zatražite tiskanu verziju LLW-a.

Informacije o jamstvu koje se odnose na vaš Stroj:

1. Period jamstva: 1 godina
2. Tip jamstvenog servisa: Korisnički zamjenjive jedinice ('CRU') i servis s korisničkom ili poštanskom dostavom
3. Verzija Lenovo ograničenog jamstva: L505-0010-00 09/2006

Radi jamstvenog servisa pogledajte popis telefona na www.lenovo.com/support/phone. Telefonski brojevi se mogu promijeniti bez prethodne obavijesti.

Bemærkning til kunden vedrørende Lenovo Begrænset garanti

Læs Lenovo Begrænset garanti (LLW) på <http://www.lenovo.com/warranty>. Lenovo Begrænset garanti er oversat til 30 sprog. Du kan læse den på dette websted. Kontakt Lenovo eller forhandleren for at få en trykt udgave, hvis du ikke kan få vist Lenovo Begrænset garanti.

Garantioplysninger for maskinen:

1. Garantiperiode: 1 år
2. Servicetype i garantiperioden: CRU-service (Customer Replaceable Unit) og carry-in-service eller indsendesservice
3. Version af Lenovo Begrænset garanti: L505-0010-00 09/2006

Se telefonlisten på adressen www.lenovo.com/support/phone vedrørende garantiservice. Telefonnumre kan ændres uden forudgående varsel.

Lenovon rajoitettu takuu - ilmoitus asiakkaalle

Lue Lenovon rajoitetun takuun ehdot (LLW) osoitteessa <http://www.lenovo.com/warranty>. LLW-asiakirja on saatavana 30 eri kielellä. Jos LLW-asiakirjan tarkastelu ei onnistu, ota yhteys Lenovon paikalliseen toimistoon tai jälleenmyyjään saadaksesi tulostetun LLW-asiakirjan.

Konetta koskevat takuutiedot:

1. Takuuaika: 1 vuosi
2. Takuupalvelun laji: Asiakkaan vaihdettavissa olevia osia (CRU) koskeva palvelu ja asiakkaan toteuttama kuljetus tai postikuljetus
3. Rajoitetun takuun ehtojen versio: L505-0010-00 09/2006

Saat takuupalveluja soittamalla sopivaan Web-sivustossa www.lenovo.com/support/phone olevan luettelon puhelinnumeroon. Puhelinnumerot voivat muuttua ilman ennakoilmoitusta.

Περιορισμένη Εγγύηση της Lenovo - Ειδοποίηση προς τους Πελάτες

Παρακαλούμε, διαβάστε την Περιορισμένη Εγγύηση της Lenovo (Lenovo Limited Warranty - LLW) στη διεύθυνση <http://www.lenovo.com/warranty>. Η Περιορισμένη Εγγύηση της Lenovo είναι διαθέσιμη σε 31 γλώσσες και μπορεί να εξεταστεί από την παραπάνω ιστοσελίδα. Εάν δεν είστε σε θέση να εξετάσετε την Περιορισμένη Εγγύηση της Lenovo με έναν από τους παραπάνω τρόπους, τότε επικοινωνήστε με τα τοπικά γραφεία της Lenovo ή με κάποιον μεταπωλητή προϊόντων Lenovo για να αποκτήσετε ένα έντυπο αντίγραφο της Περιορισμένης Εγγύησης της Lenovo.

Πληροφορίες σχετικά με την Εγγύηση που ισχύει για τη Μηχανή σας:

1. Περίοδος Εγγύησης: 1 έτος
2. Είδος Υπηρεσιών Εγγύησης: Υπηρεσία Μονάδων Αντικαθιστώμενων από τον Πελάτη ('CRU') και Υπηρεσίες με Μεταφορά ή Αποστολή από τον Πελάτη
3. Εκδοχή της Περιορισμένης Εγγύησης της Lenovo: L505-0010-00 09/2006

Για τη λήψη υπηρεσιών εγγύησης, συμβουλευτείτε τη λίστα τηλεφώνων στη διεύθυνση www.lenovo.com/support/phone. Οι αριθμοί τηλεφώνου υπόκεινται σε αλλαγή χωρίς ειδοποίηση.

אחריות מוגבלת של Lenovo – הודעה ללקוחות

אנא קראו את האחריות המוגבלת של Lenovo (LLW), הזמינה ב-31 שפות בכתובת <http://www.lenovo.com/warranty>. פנו לנציגות Lenovo המקומית או לספק, כדי לקבל גרסה מודפסת של האחריות המוגבלת.

מידע אחריות עבור המכונה שלכם:

1. תקופת האחריות: שנה אחת
2. סוג שירות אחריות: יחידות להחלפה עצמית ("CRU") ושירות במסירה או משלוח דואר על-ידי הלקוח
3. גרסת אחריות מוגבלת של Lenovo: L505-0010-00 09/2006

מספרי הטלפון למידע אודות שירות האחריות זמינים בכתובת www.lenovo.com/warranty/phone. מספרי הטלפון עשויים להשתנות ללא הודעה מראש.

Lenovo korlátozott jótállási nyilatkozat - Vásárlói közlemény

Kérjük olvassa el a Lenovo korlátozott jótállási nyilatkozatot (LLW) <http://www.lenovo.com/warranty> címen. Az LLW 31 nyelven áll rendelkezésre a megadott címen. Ha nem tudja megtekinteni, akkor a helyi Lenovo irodától vagy viszonteladótól kérheti az LLW nyomtatott példányát.

A gépre vonatkozó jótállási feltételek:

1. Jótállási időtartam: 1 év
2. Garanciális szerviz típusa: Felhasználó által cserélhető egység ('CRU') és beszállításos vagy postázásos szerviz
3. Lenovo korlátozott jótállási nyilatkozat száma: L505-0010-00 09/2006

A garanciális szervizek telefonszámainak listáját a www.lenovo.com/support/phone alatt találja meg. A telefonszámok bejelentés nélkül megváltozhatnak.

Lenovo 보증 제한 - 고객 주의사항

웹 사이트 <http://www.lenovo.com/warranty>에 있는 **Lenovo 보증 제한(LLW)**을 읽어 보십시오. LLW는 웹 사이트에서 31개 언어로 지원됩니다. LLW를 볼 수 없는 경우 해당 지역 **Lenovo 사무실** 또는 판매자에게 문의하여 LLW의 인쇄물을 문의하십시오.

사용자 시스템에 적용되는 보증 정보:

1. 보증 기간: 1년
2. 보증 서비스 종류: 고객 교체 가능 유닛(CRU) 및 고객 직접 운송 또는 우편 서비스
3. Lenovo 보증 제한 버전: L505-0010-00 09/2006

보증 서비스 문의는 웹 사이트 www.lenovo.com/support/phone에서 전화번호 목록을 참고하십시오. 전화번호는 사전 통고없이 변경될 수 있습니다.

Lenovo Beperkte Garantie - Kennisgeving aan klant

Lees de **Lenovo Beperkte Garantie (Lenovo Limited Warranty, LLW)** op <http://www.lenovo.com/warranty>. De **Lenovo Beperkte Garantie** is op deze website beschikbaar in 30 talen. Als u de LLW niet kunt vinden, neemt u contact op met uw **Lenovo-wederverkoper** voor een gedrukte versie van de LLW.

Garantie-informatie die van toepassing is op uw machine:

1. Garantieperiode: 1 jaar
2. Type Garantieservice: Customer Replaceable Unit ("CRU") en Customer Carry-In of Mail-In Service
3. Versie van Lenovo Beperkte Garantie: L505-0010-00 09/2006

Voor garantieservice raadpleegt u de telefoonlijst op www.lenovo.com/support/phone. Telefoonnummers kunnen zonder aankondiging worden gewijzigd.

Lenovos garantibetingelser - Merknad til kunden

Les Lenovos garantibetingelser (LLW) på <http://www.lenovo.com/warranty>. Garantibetingelsene er tilgjengelige på 30 språk på dette nettstedet. Hvis du ikke får frem garantibetingelsene, kan du kontakte ditt lokale Lenovo-kontor eller forhandleren og få en trykt utgave av betingelsene.

Garantibetingelser som gjelder for din maskin:

1. Garantiperiode: 1 år
2. Type garantiservice: Customer Replaceable Unit ("CRU") og service med innlevering eller innsending
3. Versjon av Lenovos garantibetingelser: L505-0010-00 09/2006

For garantiservice, se telefonlisten på www.lenovo.com/support/phone. Telefonnumrene kan bli endret uten forvarsel.

Ograniczona gwarancja Lenovo - informacja dla klienta

Prosimy o przeczytanie ograniczonej gwarancji Lenovo (Lenovo Limited Warranty - LLW), pod adresem <http://www.lenovo.com/warranty>. LLW dostępna jest w 31 językach w tym serwisie WWW. Jeśli nie można wyświetlić LLW, należy skontaktować się z miejscowym biurem Lenovo lub z reserelerem, w celu uzyskania wersji drukowanej.

Informacje gwarancyjne mające zastosowanie do Maszyny Klienta:

1. Okres gwarancyjny: 1 rok
2. Typ serwisu gwarancyjnego: serwis polegający na dostarczeniu Części Wymienianych przez Klienta (Customer Replaceable Unit - CRU) lub serwis z wysyłką lub transportem przez Klienta.
3. Wersja ograniczonej gwarancji Lenovo: L505-0010-00 09/2006

Lista telefonów do osób odpowiedzialnych za serwis gwarancyjny znajduje się w serwisie www.lenovo.com/support/phone. Numery telefonów mogą ulec zmianie bez powiadomienia.

Garantia Limitada da Lenovo - Informações ao Cliente

Leia a Garantia Limitada da Lenovo em <http://www.lenovo.com/warranty>. A Garantia Limitada da Lenovo encontra-se disponível em 30 línguas neste sítio da Web. Caso não consiga visualizar a Garantia Limitada da Lenovo, contacte o escritório local da Lenovo ou o seu revendedor para obter uma versão em formato papel da mesma.

Informações sobre garantia aplicáveis à Máquina:

1. Período de Garantia: 1 ano
2. Tipo de Serviço de Garantia: Unidade Substituível pelo Cliente ("CRU") e Serviço de Transporte Físico ou Envio pelo Correio da Responsabilidade do Cliente
3. Versão da Garantia Limitada da Lenovo: L505-0010-00 09/2006

Para obter serviço de garantia consulte a lista de números de telefone em www.lenovo.com/support/phone. Os números de telefone indicados estão sujeitos a alteração sem aviso prévio.

Garanția limitată Lenovo - Anunț pentru client

Vă rugăm să citiți Garanția limitată Lenovo la <http://www.lenovo.com/warranty>. Garanția limitată Lenovo este disponibilă în 31 de limbi pe acest sit Web. Dacă nu puteți vizualiza Garanția limitată Lenovo, contactați reprezentanța locală Lenovo sau reseller-ul pentru a obține o versiune tipărită.

Informații privind garanția aplicabile pentru Mașina dumneavoastră:

1. Perioada de garanție: 1 an
2. Tipul de service: Customer Replaceable Unit ('CRU') și Customer Carry-In sau Mail-In Service
3. Versiunea de Garanție limitată Lenovo: L505-0010-00 09/2006

Pentru service în garanție, consultați lista cu numere de telefon la www.lenovo.com/support/phone. Numerele de telefon pot fi schimbate fără notificare.

Заявление об ограниченной гарантии Lenovo - Замечания для заказчиков

Ознакомьтесь с Заявлением об ограниченной гарантии Lenovo на Web-сайте <http://www.lenovo.com/warranty>. Заявление переведено на 31 языков. Если вы не можете просмотреть Заявление, то запросите в местном представительстве Lenovo или у торгового представителя отпечатанную версию Заявления об ограниченной гарантии.

Информация о гарантии для вашего компьютера:

1. Гарантийный срок: 1 год.
2. Тип гарантийного обслуживания: Обслуживание при отказе узлов, подлежащих замене силами заказчика (CRU), и обслуживание при доставке или пересылке по почте силами заказчика.
3. Версия Заявления об ограниченной гарантии Lenovo: L505-0010-00 09/2006

За гарантийным обслуживанием обращайтесь по телефонам, приведенным на Web-сайте www.lenovo.com/support/phone. Номера телефонов могут измениться без предварительного уведомления.

Obvestilo strankam o omejeni garanciji Lenovo

Prosimo, da si preberete izjavo o omejeni garanciji Lenovo (LLW) na spletni strani <http://www.lenovo.com/warranty>.

LLW je na voljo v 31 jezikih na tej spletni strani. Če si LLW ne morete ogledati, se obrnite na lokalno podružnico ali tržnega predstavnika podjetja Lenovo, kjer boste dobili natisnjeno različico LLW.

Garancijski pogoji, ki veljajo za vaš računalnik:

1. Garancijsko obdobje: 1 leta
2. Tip garancijskega servisa: servis za enote, ki jih zamenja stranka ("CRU") in servis z dostavo stranke ali servis s pošto dostavo
3. Različica omejene garancije Lenovo: L505-0010-00 09/2006

Za garancijski servis si oglejte seznam telefonskih števil na spletni strani www.lenovo.com/support/phone. Pridržujemo si pravico do spremembe telefonskih števil brez predhodnega obvestila.

Lenovogaranti - Information till kunden

Läs Garantivillkoren (Lenovo Limited Warranty, LLW) på <http://www.lenovo.com/warranty>. Garantivillkoren finns på 30 språk på webbplatsen. Om du inte kan komma åt dokumentet med garantivillkoren kontaktar du ditt lokala Lenovokontor eller en återförsäljare så kan du få en tryckt version av garantivillkoren.

Garantiinformation som gäller den här Maskinen:

1. Garantiid: 1 år
2. Typ av garantiservice: Kunden byter ut delar ("CRU" - Customer Replaceable Unit) och Kunden lämnar in (Customer Carry-In) eller skickar in (Mail-In) Maskinen på service
3. Begränsad garanti, version: L505-0010-00 09/2006

Telefonnummer till ställen där du kan få garantiservice finns på www.lenovo.com/support/phone. Telefonnummer kan komma att ändras utan att du meddelas om detta.

Notices

Lenovo may not offer the products, services, or features discussed in this document in all countries. Consult your local Lenovo representative for information on the products and services currently available in your area. Any reference to a Lenovo product, program, or service is not intended to state or imply that only that Lenovo product, program, or service may be used. Any functionally equivalent product, program, or service that does not infringe any Lenovo intellectual property right may be used instead. However, it is the user's responsibility to evaluate and verify the operation of any other product, program, or service.

Lenovo may have patents or pending patent applications covering subject matter described in this document. The furnishing of this document does not give you any license to these patents. You can send license inquiries, in writing, to:

*Lenovo (United States), Inc.
500 Park Offices Drive, Hwy. 54
Research Triangle Park, NC 27709
U.S.A.
Attention: Lenovo Director of Licensing*

LENOVO GROUP LTD. PROVIDES THIS PUBLICATION "AS IS" WITHOUT WARRANTY OF ANY KIND, EITHER EXPRESS OR IMPLIED, INCLUDING, BUT NOT LIMITED TO, THE IMPLIED WARRANTIES OF NON-INFRINGEMENT, MERCHANTABILITY OR FITNESS FOR A PARTICULAR PURPOSE. Some jurisdictions do not allow disclaimer of express or implied warranties in certain transactions, therefore, this statement may not apply to you.

This information could include technical inaccuracies or typographical errors. Changes are periodically made to the information herein; these changes will be

incorporated in new editions of the publication. Lenovo may make improvements and/or changes in the product(s) and/or the program(s) described in this publication at any time without notice.

The products described in this document are not intended for use in implantation or other life support applications where malfunction may result in injury or death to persons. The information contained in this document does not affect or change Lenovo product specifications or warranties. Nothing in this document shall operate as an express or implied license or indemnity under the intellectual property rights of Lenovo or third parties. All information contained in this document was obtained in specific environments and is presented as an illustration. The result obtained in other operating environments may vary.

Lenovo may use or distribute any of the information you supply in any way it believes appropriate without incurring any obligation to you.

Any references in this publication to non-Lenovo Web sites are provided for convenience only and do not in any manner serve as an endorsement of those Web sites. The materials at those Web sites are not part of the materials for this Lenovo product, and use of those Web sites is at your own risk.

Any performance data contained herein was determined in a controlled environment. Therefore, the result obtained in other operating environments may vary significantly. Some measurements may have been made on development-level systems and there is no guarantee that these measurements will be the same on generally available systems. Furthermore, some measurements may have been estimated through extrapolation. Actual results may vary. Users of this document should verify the applicable data for their specific environment.

Recycling information

Lenovo encourages owners of information technology (IT) equipment to responsibly recycle their equipment when it is no longer needed. Lenovo offers a variety of programs and services to assist equipment owners in recycling their IT products. Information on product recycling offerings can be found on Lenovo's Internet site at <http://www.pc.ibm.com/ww/lenovo/about/environment/>.

環境配慮に関して

本機器またはモニターの回収リサイクルについて

企業のお客様が、本機器が使用済みとなり廃棄される場合は、資源有効利用促進法の規定により、産業廃棄物として、地域を管轄する県知事あるいは、政令市長の許可を持った産業廃棄物処理業者に適正処理を委託する必要があります。また、弊社では資源有効利用促進法に基づき使用済みパソコンの回収および再利用・再資源化を行う「PC 回収リサイクル・サービス」を提供しています。詳細は、<http://www.ibm.com/jp/pc/service/recycle/pcrecycle/> をご参照ください。

また、同法により、家庭で使用済みとなったパソコンのメーカー等による回収再資源化が2003年10月1日よりスタートしました。詳細は、<http://www.ibm.com/jp/pc/service/recycle/pcrecycle/> をご参照ください。

重金属を含む内部部品の廃棄処理について

本機器のプリント基板等には微量の重金属（鉛など）が使用されています。使用後は適切な処理を行うため、上記「本機器またはモニターの回収リサイクルについて」に従って廃棄してください。

Trademarks

Lenovo and the Lenovo logo are trademarks of Lenovo in the United States, other countries, or both.

Microsoft, Windows, and Vista are trademarks of Microsoft Corporation in the United States, other countries, or both.

Other company, product, or service names may be trademarks or service marks of others.

Important information for product recycling and the European Directive 2002/96/EC

Lenovo encourages owners of information technology (IT) equipment to responsibly recycle their equipment when it is no longer needed. Lenovo offers a variety of programs and services to assist equipment owners in recycling their IT products. Information on product recycling offerings can be found on Lenovo's Internet site at <http://www.pc.ibm.com/ww/lenovo/about/environment/>.

Lenovo encourage les propriétaires de matériel informatique (IT) à recycler leur matériel dès lors que celui-ci n'est plus utilisé. Lenovo propose une gamme de programmes et services concernant le recyclage du matériel informatique. Des informations relatives à ces offres de recyclage sont disponibles sur le site Internet de Lenovo à l'adresse <http://www.pc.ibm.com/ww/lenovo/about/environment/>.

Lenovo incoraggia i proprietari di apparecchiature IT (information technology) a riciclare in modo responsabile i propri apparecchi qualora non fossero più necessari. Lenovo offre un'ampia gamma di programmi e servizi per assistere i proprietari delle apparecchiature nel riciclaggio dei prodotti IT. Per informazioni sulle offerte di riciclaggio dei prodotti, consultare il sito Internet Lenovo all'indirizzo <http://www.pc.ibm.com/ww/lenovo/about/environment/>.

Lenovo Kunden werden gebeten, ihre nicht mehr benötigten IT-Geräte einer ordnungsgemäßen Wiederverwertung/Entsorgung zuzuführen. Lenovo bietet Kunden entsprechende Programme zur umweltgerechten Wiederverwertung/Entsorgung ihrer IT-Produkte an. Informationen über diese Angebote stehen auf der Lenovo Internetsite unter <http://www.pc.ibm.com/ww/lenovo/about/environment/>.

Lenovo anima a los propietarios de equipos de tecnología de la información (TI) a reciclar sus equipos cuando ya no sean necesarios. Lenovo dispone de una variedad de programas y servicios para ayudar a los propietarios de equipos a reciclar sus productos de TI. Puede encontrar información sobre las ofertas de reciclaje en el sitio web de Lenovo <http://www.pc.ibm.com/ww/lenovo/about/environment/>.

A Lenovo estimula os proprietários de equipamentos de TI a reciclarem seus equipamentos com responsabilidade quando eles não forem mais usados. A Lenovo oferece uma variedade de programas e serviços para auxiliar proprietários de equipamentos na reciclagem de seus produtos de TI. Informações sobre ofertas de reciclagem de produtos podem ser encontradas no site da Lenovo na Internet, no endereço <http://www.pc.ibm.com/ww/lenovo/about/environment/>.

Lenovo podporuje vlastníky zařízení informačních technologií (IT) v odpovědné recyklaci již nepotřebného zařízení.

Lenovo nabízí v několika zemích řadu programů zpětného vracení produktů a služeb, které pomáhají vlastníkům zařízení s recyklací jejich produktů IT.

Informace o nabídkách recyklace produktů naleznete na webové stránce Lenovo na adrese <http://www.pc.ibm.com/ww/lenovo/about/environment/>.

Spoločnosť vyzýva vlastníkov k recyklácii IT zariadení po skončení ich životnosti. Spoločnosť Lenovo poskytuje množstvo programov a služieb na recykláciu svojich IT produktov.

Informácie o možnostiach recyklácie nájdete na webovej stránke <http://www.pc.ibm.com/ww/lenovo/about/environment/>.

Lenovo bilişim teknolojisi (BT) donatılarına sahip kişileri, bu donatıları, artık gereksinim duyulmadığında gerektiği şekilde geri dönüştürmeleri konusunda teşvik eder. Lenovo birçok ülkede donatı sahiplerine BT ürünlerini geri dönüştürmeleri için çeşitli programlar ve hizmetler sunmaktadır. Sunulan ürün geri dönüşüm seçenekleri hakkında ki bilgiler, şu adresteki Lenovo Internet sitesinde bulunabilir: <http://www.pc.ibm.com/ww/lenovo/about/environment/>.

Lenovo 主张信息技术 (IT) 设备所有者在产品使用期结束之后, 负责将其回收。Lenovo 提供各种计划和服务, 帮助设备所有者回收 IT 产品。您可以在 Lenovo 因特网站点 <http://www.pc.ibm.com/ww/lenovo/about/environment/> 上找到关于产品的回收信息。

當 IT 設備不再使用時, Lenovo 鼓勵擁有者要負起責任進行回收。Lenovo 提供多種方案與服務, 協助設備擁有者回收其 IT 產品。您可以在 Lenovo 網站上找到有關產品回收的資訊, 網址為 <http://www.pc.ibm.com/ww/lenovo/about/environment/>。

Lenovo では、情報技術 (IT) 機器の所有者に、機器が必要でなくなったときに責任を持って機器のリサイクルを行うことをお勧めしています。また、機器の所有者による IT 製品のリサイクルを支援するため、さまざまなプログラムとサービスを提供しています。製品のリサイクルについては、次の Lenovo Web サイトを参照してください。
<http://www.ibm.com/jp/pc/service/recycle/>

تشجع شركة Lenovo مالكي أجهزة تكنولوجيا المعلومات على إعادة تدوير الأجهزة الخاصة بهم عند انتهاء الحاجة إليها. وتقدم شركة Lenovo مجموعة متنوعة من البرامج والخدمات لمساعدة مالكي الأجهزة على إعادة تدوير منتجات تكنولوجيا المعلومات الخاصة بهم. يمكنك إيجاد المعلومات الخاصة بعروض إعادة تدوير المنتجات على موقع الانترنت التالي لشركة Lenovo:

<http://www.pc.ibm.com/ww/lenovo/about/evnroment/>

Lenovo насърчава притежателите на оборудване от сферата на информационните технологии (IT) да рециклират отговорно оборудването си, когато повече не се нуждаят от него.

Lenovo предлага множество програми и услуги за подпомагане на притежателите на оборудване при рециклирането на техните IT продукти. Информация за предложенията за рециклиране на продукти може да бъде намерена на Internet сайта на Lenovo на

<http://www.pc.ibm.com/ww/lenovo/about/environment/>.

Lenovo potiče vlasnike opreme informacijske tehnologije (IT) da odgovorno recikliraju opremu kad ona više nije potrebna. Lenovo nudi raznolike programe i usluge kao pomoć vlasnicima opreme pri recikliranju njihovih IT proizvoda. Informacije o ponudama za recikliranje tih proizvoda se mogu naći na Lenovo Internet stranicama na <http://www.ibm.com/ww/lenovo/about/environment/>.

Lenovo opfordrer ejere af IT-udstyr til at aflevere udstyret til genbrug på ansvarlig vis, når der ikke længere er brug for udstyret. Lenovo tilbyder en række programmer og serviceydelser, der kan hjælpe med genbrug af IT-produkter. Der er oplysninger om produktgenbrug på Lenovos internetside <http://www.pc.ibm.com/ww/lenovo/about/environment/>.

Lenovo toivoo, että tietotekniikkalaitteiden omistajat toimittavat tarpeettomiksi käyneet laitteet uusiokäyttöön. Lenovolla on useita ohjelmia ja palveluja, jotka helpottavat laitteiden uusiokäyttöä. Tietoja tuotteiden uusiokäyttöön liittyvistä mahdollisuuksista on Lenovon Internet-sivustossa, osoitteessa <http://www.pc.ibm.com/ww/lenovo/about/environment/>.

Η Lenovo ενθαρρύνει τους κατόχους εξοπλισμού πληροφορικής να μεριμνούν για την υπεύθυνη ανακύκλωση του εξοπλισμού τους όταν δεν τον χρειάζονται πλέον. Η Lenovo προσφέρει μια ευρεία γκάμα προγραμμάτων και υπηρεσιών ώστε να βοηθά τους κατόχους εξοπλισμού πληροφορικής στην ανακύκλωση των προϊόντων τους. Μπορείτε να βρείτε πληροφορίες για τα εν λόγω προγράμματα και υπηρεσίες ανακύκλωσης στο δικτυακό τόπο της Lenovo στο Internet στη διεύθυνση <http://www.pc.ibm.com/ww/lenovo/about/environment/>.

Lenovo מעודדת בעלים של ציוד טכנולוגיות מידע (IT) למחזר את הציוד כשאינם זקוקים לו עוד. Lenovo מציעה מגוון של תוכניות ושירותים כדי לסייע במיחזור של ציוד IT. מידע אודות תוכניות ושירותי מיחזור זמין באתר האינטרנט של Lenovo, בכתובת:
<http://www.pc.ibm.com/ww/lenovo/about/environment/>

A Lenovo arra biztatja az információs technológia (IT) körébe tartozó berendezések tulajdonosait, hogy felelősségteljesen járjanak el berendezéseik újrahasznosítása érdekében, amikor azok feleslegessé válnak. A Lenovo különféle programokat és szolgáltatásokat ajánl, amelyek segítik a berendezések tulajdonosait IT berendezéseik újrahasznosításában. A termékek újrahasznosítási lehetőségeiről a Lenovo Internetes címén található tájékoztatást:
<http://www.pc.ibm.com/ww/lenovo/about/environment/>.

Lenovo는 IT(Information Technology) 장치 사용자에게 불필요한 장치의 재활용을 권장합니다. Lenovo는 IT 제품의 재활용을 위해 사용자에게 다양한 프로그램 및 서비스를 제공합니다. 제품 재활용에 관한 정보는 Lenovo 웹 사이트 <http://www.pc.ibm.com/ww/lenovo/about/environment/>를 참고하십시오.

Lenovo ги охрабрува сопствениците на IT опрема одговорно да ја рециклираат истата кога нема да биде веќе потребна. Lenovo нуди различни програми и услуги за помош на сопствениците на опремата при нејзино рециклирање. Информации за понуди за рециклирање на производи може да се пронајдат на веб страната на Lenovo:
<http://www.pc.ibm.com/ww/lenovo/about/environment/>.

Lenovo stimuleert eigenaren van IT-apparaten hun apparatuur, wanneer die niet meer nodig is, op een verantwoorde manier te laten recyclen. Met diverse programma's en diensten helpt Lenovo eigenaren van apparatuur bij het recyclen van hun IT-producten. Informatie over deze aanbiedingen voor productrecycling zijn te vinden op de internetsite van Lenovo, op <http://www.pc.ibm.com/ww/lenovo/about/environment/>.

Lenovo oppfordrer eiere av IT-utstyr til å levere utstyret til gjenvinning når de ikke lenger har behov for det. Lenovo tilbyr en rekke ulike programmer og tjenester til hjelp for eiere av utstyr som vil gjenvinne IT-produkter. Du finner informasjon om gjenvinningstilbud på Lenovos nettsted på <http://www.pc.ibm.com/ww/lenovo/about/environment/>.

Lenovo zachęca do odpowiedzialnego przetwarzania wtórnego niepotrzebnych urządzeń informatycznych. Lenovo oferuje różnorodne programy i usługi pomocne przy takim przetwarzaniu. Informacje o ofertach w zakresie przetwarzania wtórnego produktów znaleźć można w serwisie WWW Lenovo, pod adresem <http://www.pc.ibm.com/ww/lenovo/about/environment/>.

A Lenovo incentiva os proprietários de equipamento de tecnologias de informação (TI) a reciclarem de modo responsável o equipamento que já não se encontre em utilização. A Lenovo disponibiliza vários programas e serviços para prestar assistência aos proprietários na reciclagem de produtos TI. Pode obter informações acerca de ofertas de reciclagem de produtos no sítio da Web da Lenovo em <http://www.pc.ibm.com/ww/lenovo/about/environment/>.

Lenovo îi încurajează pe proprietarii echipamentelor de tehnologie a informației (IT) să-și recicleze cu responsabilitate echipamentele care nu le mai sunt necesare. Lenovo oferă o varietate de programe și servicii pentru a-i asista pe proprietarii de echipamente la reciclarea produselor IT. Informații privind oferta de reciclare a produselor pot fi găsite pe situl Lenovo, la <http://www.pc.ibm.com/ww/lenovo/about/environment/>.

Lenovo поддерживает владельцев оборудования, связанного с информационными технологиями (Information Technology - IT), которые ответственно подходят к утилизации ненужного оборудования. Lenovo предлагает комплекс программ и услуг для возврата продукта, которые помогут владельцам оборудования утилизировать IT-продукты. Информацию об этих предложениях по утилизации продукта можно найти на Интернет-сайте Lenovo
<http://www.pc.ibm.com/ww/lenovo/about/environment/>.

Lenovo spodbuja lastnike naprav informacijske tehnologije (IT), da odgovorno reciklirajo svoje naprave, ko jih ne potrebujejo več. Lenovo nudi številne programe in storitve, ki so v pomoč lastnikom naprav pri recikliranju njihovih izdelkov IT. Informacije o ponudbah za recikliranje izdelkov lahko najdete na Internetnem mestu podjetja Lenovo na naslovu
<http://www.pc.ibm.com/ww/lenovo/about/environment/>.

Lenovo uppmanar alla ägare av informationsteknisk utrustning (IT-utrustning) att lämna denna till återvinning eller kassera den enligt kommunens anvisningar för miljöfarligt avfall, när den inte längre behövs. Lenovo kan erbjuda olika program och tjänster till hjälp för ägare av IT-produkter när utrustningen ska lämnas till återvinning eller kasseras. Information om produktåtervinningsprogram finns på Lenovos webbplats <http://www.pc.ibm.com/ww/lenovo/about/environment/>.

環境配慮に関して

本機器またはモニターの回収リサイクルについて

企業のお客様が、本機器が使用済みとなり廃棄される場合は、資源有効利用促進法の規定により、産業廃棄物として、地域を管轄する県知事あるいは、政令市長の許可を持った産業廃棄物処理業者に適正処理を委託する必要があります。また、弊社では資源有効利用促進法に基づき使用済みパソコンの回収および再利用・再資源化を行う「PC 回収リサイクル・サービス」を提供しています。詳細は、<http://www.ibm.com/jp/pc/service/recycle/pcrecycle/> をご参照ください。

また、同法により、家庭で使用済みとなったパソコンのメーカー等による回収再資源化が 2003 年 10 月 1 日よりスタートしました。詳細は、<http://www.ibm.com/jp/pc/service/recycle/pcrecycle/> をご参照ください。

重金属を含む内部部品の廃棄処理について

本機器のプリント基板等には微量の重金属（鉛など）が使用されています。使用後は適切な処理を行うため、上記「本機器またはモニターの回収リサイクルについて」に従って廃棄してください。

Important information for the European Directive 2002/96/EC



EU Only

The Waste Electrical and Electronic Equipment (WEEE) mark applies only to countries within the European Union (EU) and Norway. Appliances are labeled in accordance with European Directive 2002/96/EC concerning waste electrical and electronic equipment (WEEE). The Directive determines the framework for the return and recycling of used appliances as applicable throughout the European Union. This label is applied to various products to indicate that the product is not to be thrown away, but rather reclaimed upon end of life per this Directive. Users of electrical and electronic equipment (EEE) with the WEEE marking per Annex IV of the WEEE Directive must not dispose of end of life EEE as unsorted municipal waste, but use the collection framework available to them for the return, recycle, recovery of WEEE and minimize any potential effects of EEE on the environment and human health due

to the presence of hazardous substances. For additional WEEE information go to:
<http://www.lenovo.com/lenovo/environment>.

Le marquage des déchets d'équipements électriques et électroniques (DEEE) s'applique uniquement aux pays de l'Union européenne (EU) et à la Norvège. Les appareils sont marqués conformément à la Directive 2002/96/CE du Conseil Européen relative aux déchets d'équipements électriques et électroniques (DEEE). Cette directive, applicable à l'ensemble des pays de l'Union européenne, concerne la collecte et le recyclage des appareils usagés. Ce marquage est apposé sur différents produits pour indiquer que ces derniers ne doivent pas être jetés, mais récupérés en fin de vie, conformément à cette directive. Les utilisateurs d'équipements électriques et électroniques portant le marquage DEEE, conformément à l'Annexe IV de la Directive DEEE, ne doivent pas mettre au rebut ces équipements comme des déchets municipaux non triés, mais ils doivent utiliser la structure de collecte mise à disposition des clients pour le retour, le recyclage et la récupération des déchets d'équipements électriques et électroniques, afin de réduire tout effet potentiel des équipements électriques et électroniques sur l'environnement et la santé en raison de la présence possible de substances dangereuses dans ces équipements. Pour plus d'informations sur les équipements électriques et électroniques, consultez le site <http://www.lenovo.com/lenovo/environment>.

Die WEEE-Kennzeichnung gilt nur in Ländern der Europäischen Union und in Norwegen. Geräte werden gemäß der Richtlinie 2002/96/EC der Europäischen Union über Elektro- und Elektronikaltgeräte (WEEE) gekennzeichnet. Die Richtlinie regelt die Rückgabe und Wiederverwertung von Altgeräten innerhalb der Europäischen Union. Mit dieser Kennzeichnung versehene Altgeräte dürfen gemäß dieser Richtlinie nicht weggeworfen werden, sondern müssen zurückgegeben werden. Anwender von Elektro- und Elektronikgeräten mit der WEEE-Kennzeichnung dürfen diese gemäß Annex IV der WEEE-Richtlinie nach ihrem Gebrauch nicht als allgemeinen Hausmüll entsorgen. Stattdessen müssen diese Geräte im verfügbaren Sammelsystem zurückgegeben werden und damit einem Recycling- oder Wiederherstellungsprozess

zugeführt werden, bei dem mögliche Auswirkungen der Geräte auf die Umwelt und den menschlichen Organismus aufgrund gefährlicher Substanzen minimiert werden. Weitere Informationen zur Entsorgung von Elektro- und Elektronikaltgeräten finden Sie unter der Adresse: <http://www.lenovo.com/lenovo/environment>.

La marca de Residuos de equipos eléctricos y electrónicos (WEEE) se aplica sólo a los países pertenecientes a la Unión Europea (UE) y a Noruega. Los aparatos se etiquetan conforme a la Directiva Europea 2002/96/EC relativa a los residuos de equipos eléctricos y electrónicos (WEEE). La directiva determina el marco para devolver y reciclar los aparatos usados según sea aplicable en toda la Unión Europea. Esta etiqueta se aplica a varios productos para indicar que el producto no se va a desechar, sino que va ser reclamado por esta Directiva, una vez termine su ciclo de vida. Los usuarios de los equipos eléctricos y electrónicos (EEE) con la marca WEEE por el Anexo IV de la Directiva WEEE no deben tratar los EEE como desperdicios municipales no clasificados, una vez terminado su ciclo de vida, sino que deben utilizar el marco de recogida disponible para devolver, reciclar y recuperar los WEEE y minimizar los posibles efectos de los EEE en el medio ambiente y en la salud debidos a la presencia de sustancias peligrosas. Para obtener información adicional acerca de WEEE consulte el sitio: <http://www.lenovo.com/lenovo/environment>.

Il marchio WEEE (Waste Electrical and Electronic Equipment) viene applicato soltanto ai paesi all'interno dell'unione europea (EU) e norvegia. Le apparecchiature vengono etichettate in accordo con la direttiva europea 2002/96/EC riguardante lo smaltimento di apparecchiatura elettrica ed elettronica (WEEE). Le direttive determinano la procedura di restituzione e di riciclaggio delle apparecchiature usate in conformità con le normative dell'unione europea. Questa classificazione viene applicata a vari prodotti per indicare che il prodotto stesso non deve essere gettato ma riscattato al termine dell'utilizzo per quasta direttiva. Gli utenti di apparecchiature elettriche o elettroniche (EEE) marchiate WEEE secondo Annex IV della direttiva WEEE non devono disporre di fine utilizzo EEE come rifiuto, municipale non classificato, ma deve essere utilizzata la procedura di classificazione disponibile per il

riscatto, riciclo, recupero del WEEE e minimizzare qualsiasi potenziale effetto della EEE sull'ambiente e sulla salute umana dovuto alla presenza di sostanze pericolose. Per ulteriori informazioni sulla WEEE visitare il sito: <http://www.lenovo.com/lenovo/environment>.

A marca REEE (Resíduos de Equipamentos Eléctricos e Electrónicos) aplica-se apenas aos Estados Membros da União Europeia e à Noruega. Os aparelhos eléctricos deverão ser identificados em conformidade com a Directiva Europeia 2002/96/CE relativa a REEE (Resíduos de Equipamentos Eléctricos e Electrónicos). A Directiva determina o enquadramento normativo relativamente à devolução e reciclagem de aparelhos eléctricos utilizados, conforme aplicável no espaço da União Europeia. Esta etiqueta deverá ser aposta em diversos produtos para indicar que os mesmos não poderão ser deitados fora, mas sim recuperados no final da respectiva vida útil, de acordo com a referida Directiva. Os utilizadores de equipamentos eléctricos e electrónicos (EEE) com a marca REEE em conformidade com o Anexo IV da Directiva REEE não poderão deitar fora os EEE no final da respectiva vida útil como lixo municipal não separado, devendo sim utilizar a estrutura de recolha que lhes tenha sido disponibilizada para efeitos de devolução, reciclagem e recuperação de REEE, por forma a minimizar potenciais efeitos dos EEE sobre o ambiente e saúde pública resultantes da presença de substâncias perigosas. Para obter informações adicionais acerca da REEE consulte o sítio da web: <http://www.lenovo.com/lenovo/environment>.

Het WEEE-merkteken (Waste Electrical and Electronic Equipment) geldt alleen voor landen binnen de Europese Unie (EU) en Noorwegen. Apparaten worden van een merkteken voorzien overeenkomstig Europese Richtlijn 2002/96/EC inzake afgedankte elektrische en elektronische apparatuur (waste electrical and electronic equipment, WEEE). Deze richtlijn bepaalt het raamwerk voor het retourneren en recylen van gebruikte apparatuur, zoals van toepassing binnen de Europese Unie. Dit merkteken wordt aangebracht op diverse producten om aan te geven dat het product in kwestie niet dient te worden weggegooid, maar dat het aan het eind van

de levenscyclus krachtens deze Richtlijn dient te worden geretourneerd. Gebruikers van elektrische en elektronische apparaten (EEE) welke zijn voorzien van het WEEE-merkten zijn gehouden aan Annex IV van de WEEE Richtlijn en mogen gebruikte EEE niet weggooien als ongesorteerd afval, maar dienen gebruik te maken van het inzamelproces voor het teruggeven, recyclen en terugwinnen van WEEE dat voor hen beschikbaar is, en dienen de mogelijke effecten die EEE ten gevolge van de aanwezigheid van schadelijke stoffen kunnen hebben op het milieu en de volksgezondheid, tot een minimum te beperken. Voor meer informatie over WEEE gaat u naar: <http://www.lenovo.com/lenovo/environment>.

WEEE-mærkningerne (Waste Electrical and Electronic Equipment) gælder kun for lande i EU samt Norge. Udstyr mærkes i henhold til EU's direktiv 2002/96/EF om affald af elektrisk og elektronisk udstyr (WEEE). Direktivet fastlægger de rammer, der gælder for returnering og genbrug af brugt udstyr i EU. Mærkatene påsættes forskellige produkter for at angive, at produktet ikke må smides væk, når det er udtjent, men skal genvindes i henhold til dette direktiv. Brugere af elektrisk og elektronisk udstyr (EEE), der er mærket med WEEE-mærket som angivet i Bilag IV til WEEE-direktivet, må ikke bortskaffe brugt EEE som usorteret husholdningsaffald, men skal bruge den indsamlingsordning, der er etableret, så WEEE kan returneres, genbruges eller genvindes. Formålet er at minimere den eventuelle påvirkning af miljøet og menneskers sundhed som følge af tilstedeværelsen af skadelige stoffer. Der er flere oplysninger om affald af elektrisk og elektronisk udstyr på adressen <http://www.lenovo.com/lenovo/environment>.

Sähkö- ja elektroniikkalaiteromu (Waste electrical and electronic equipment, WEEE) -merkintä koskee vain Euroopan unionin (EU) jäsenmaita ja Norjaa. Sähkö- ja elektroniikkalaitteet merkitään Euroopan parlamentin ja neuvoston direktiivin 2002/96/EY mukaisesti. Kyseinen direktiivi määrittää Euroopan Unionin alueella käytössä olevat palautus- ja kierrätyskäytännöt. WEEE-merkintä laitteessa osoittaa, että direktiivin ohjeiden mukaan tuotetta ei tulisi hävittää sen elinkaaren päässä, vaan se tulee toimittaa uusiokäyttöön. Käyttäjien, joiden sähkö- ja elektroniikkalaitteissa on

tämä sähkö- ja elektroniikkalaiteromun direktiivin liitteen IV mukainen merkintä, tulee kierrättää kyseiset laitteet käytettävissä olevien resurssien mukaan ja varmistaa, että niistä tai niissä käytetyistä materiaaleista ei aiheudu haittaa ympäristölle tai ihmisten terveydelle. Sähkö- ja elektroniikkalaitteita ei saa hävittää sekajätteen mukana. Lisätietoja sähkö- ja elektroniikkalaiteromun uusiokäytöstä on WWW-sivustossa <http://www.lenovo.com/lenovo/environment>.

WEEE-merket (Waste Electrical and Electronic Equipment) gjelder bare for land i Den europeiske union (EU) og Norge. Utstyr merkes i henhold til EU-direktiv 2002/96/EF om avfall fra elektrisk og elektronisk utstyr (WEEE). Direktivet fastsetter rammene for retur og resirkulering av brukt utstyr innenfor EU. Dette merket benyttes på forskjellige produkter for å angi at produktet ikke må kastes, men må behandles i henhold til dette direktivet ved slutten av produktets levetid. Brukere av elektrisk og elektronisk utstyr (EEE) som er merket med WEEE-merket ifølge vedlegg IV i WEEE-direktivet, må ikke kaste utstyret som usortert husholdningsavfall, men må bruke de tilgjengelige innsamlingsystemene for retur, resirkulering og gjenvinning av kassert elektrisk og elektronisk utstyr for å redusere en eventuell skadelig virkning av elektrisk og elektronisk utstyr på miljø og helse, som skyldes skadelige stoffer. Du finner mer informasjon om WEEE på denne adressen: <http://www.lenovo.com/lenovo/environment>.

WEEE-mærkningen (Waste Electrical and Electronic Equipment) gælder kun for lande i EU samt Norge. Udstyr mærkes i henhold til EU's direktiv 2002/96/EF om affald af elektrisk og elektronisk udstyr (WEEE). Direktivet fastlægger de rammer, der gælder for returnering og genbrug af brugt udstyr i EU. Mærkaten påsættes forskellige produkter for at angive, at produktet ikke må smides væk, når det er udtjent, men skal genvindes i henhold til dette direktiv. Brugere af elektrisk og elektronisk udstyr (EEE), der er mærket med WEEE-mærket som angivet i Bilag IV til WEEE-direktivet, må ikke bortskaffe brugt EEE som usorteret husholdningsaffald, men skal bruge den indsamlingsordning, der er etableret, så WEEE kan returneres, genbruges eller genvindes. Formålet er at minimere den eventuelle påvirkning af miljøet og

menneskers sundhed som følge af tilstedeværelsen af skadelige stoffer. Der er flere oplysninger om affald af elektrisk og elektronisk udstyr på adressen <http://www.lenovo.com/lenovo/environment>.

Značka odpadní elektrická a elektronická zařízení (OEEZ; Waste Electrical and Electronic Equipment - WEEE) se týká pouze zemí Evropské Unie (EU) a Norska.

Zařízení jsou označena v souladu s evropskou směrnicí 2002/96/EC, která se týká likvidace starých elektrických a elektronických zařízení (OEEZ). Směrnice určuje pravidla pro vrácení a recyklaci použitých zařízení, která jsou platná v Evropské Unii. Tímto štítkem se označují různá zařízení. Označuje, že produkt nesmí být vyhozen do běžného odpadu, ale po skončení životnosti vrácen podle této směrnice. Uživatelé takovýchto zařízení označených značkou OEEZ podle dodatku IV směrnice OEEZ nesmí na konci životnosti vyhodit zařízení jako netříděný odpad, ale musí použít dostupnou sběrnou síť, aby bylo zařízení recyklováno a aby byly minimalizovány možné dopady zařízení na prostředí a zdraví lidí (zařízení může obsahovat nebezpečné látky). Další informace o značce OEEZ (WEEE) naleznete na webové stránce: <http://www.lenovo.com/lenovo/environment>.

廃電気電子機器指令 (WEEE) マークは EU 諸国とノルウェーにのみ適用されます。この機器には、EU 諸国に対する廃電気電子機器指令 2002/96/EC (WEEE) のラベルが貼られています。この指令は、EU 諸国に適用する使用済み機器の回収とリサイクルの骨子を定めています。このラベルは、使用済みになった時に指令に従って適正な処理をする必要があることを知らせるために種々の製品に貼られています。WEEE 指令の付則 (Annex) IV 規則によりマークされた電気・電子機器 (EEE) の使用者は、使用済みの電気・電子機器を地方自治体の無分別ゴミとして廃棄することは許されず、機器に含まれる有害物質が環境や人体へ与える悪影響を最小に抑えるためにお客様が利用可能な廃電気・電子機器の返却、リサイクル、あるいは再生のための回収方法を利用しなければなりません。WEEE の詳細については、次のWebサイトを参照してください。

[Http://www.lenovo.com/lenovo/environment](http://www.lenovo.com/lenovo/environment)

Το σήμα WEEE (Waste Electrical and Electronic Equipment) χρησιμοποιείται μόνο σε χώρες της Ευρωπαϊκής Ένωσης και στη Νορβηγία. Στις συσκευές τοποθετούνται ετικέτες που αφορούν την απόρριψη ηλεκτρικών και ηλεκτρονικών εξαρτημάτων σύμφωνα με την Ευρωπαϊκή Οδηγία 2002/96/EC. Η Οδηγία αυτή καθορίζει το πλαίσιο για την επιστροφή και την ανακύκλωση χρησιμοποιημένων συσκευών που ισχύει σε όλη την Ευρωπαϊκή Ένωση. Η ετικέτα τοποθετείται σε διάφορα προϊόντα για να υποδείξει ότι μετά το μόνιμο τερματισμό της χρήσης του το προϊόν, σύμφωνα με την Οδηγία, πρέπει να ανακυκλωθεί και όχι να απορριφθεί. Οι χρήστες ηλεκτρικών και ηλεκτρονικών εξαρτημάτων (electrical and electronic equipment - EEE) που φέρουν το σήμα WEEE σύμφωνα με το Παράρτημα IV της εν λόγω Οδηγίας, δεν πρέπει να απορρίπτουν τα εξαρτήματα αλλά να χρησιμοποιούν το διαθέσιμο πλαίσιο συλλογής για την επιστροφή, ανακύκλωση και ανάκτηση των εξαρτημάτων με σκοπό την ελαχιστοποίηση δυνητικών επιρροών στο περιβάλλον και την ανθρώπινη υγεία εξαιτίας της παρουσίας επικίνδυνων ουσιών στα εξαρτήματα αυτά. Για περισσότερες πληροφορίες σχετικά με τις κατάλληλες ενέργειες συλλογής και κατεργασίας ηλεκτρονικών συσκευών και εξαρτημάτων, επισκεφθείτε την ιστοσελίδα: <http://www.lenovo.com/lenovo/environment>.

A WEEE (leselejtezett elektromos és elektronikus berendezések) jelzés csak az EU tagállamaira és Norvégiára vonatkozik. A berendezések a leselejtezett elektromos és elektronikus berendezésekre (WEEE) vonatkozó 2002/96/EC számú EU direktívának való megfelelést tanúsító címkével vannak ellátva. A direktíva a használt berendezések visszavételének és újrahasznosításának keretrendszerét határozza meg az Európai Unión belül. A különböző termékeken látható címke azt jelenti, hogy a terméket az élettartamának végén nem szabad kidobni, hanem a direktívának megfelelően kell visszanyerni. A WEEE jelzésű elektromos és elektronikai felszerelések (EEE) felhasználóinak, a WEEE direktíva IV. függelékének megfelelően nem szabad vegyes házi szemétként kidobniuk az eszközöket (EEE), hanem a vásárlók számára rendelkezésre álló, meglévő begyűjtési keretrendszert felhasználva kell gondoskodniuk az elektromos hulladék (WEEE) visszajuttatásáról és újrahasznosításáról, valamint minimalizálniuk kell az eszközök (EEE) lehetséges hatásait a környezetre és az emberi egészségre, a veszélyek megelőzése érdekében.

További WEEE információk:

<http://www.lenovo.com/lenovo/environment>.

Lenovo and the Lenovo logo are trademarks of Lenovo in the United States, other countries, or both.

lenovo[®]

Part Number: 41U4942

Printed in China

(1P) P/N: 41U4942

