



# **WorkPad z50 High-Capacity Battery Option with Dry Cell Battery Case**

---

*User's Guide*

**OPTIONS**  
*by* 

**First Edition (April 1999)**

**The following paragraph does not apply to the United Kingdom or any country where such provisions are inconsistent with local law:**

INTERNATIONAL BUSINESS MACHINES CORPORATION PROVIDES THIS PUBLICATION "AS IS" WITHOUT ANY WARRANTY OF ANY KIND, EITHER EXPRESS OR IMPLIED, INCLUDING, BUT NOT LIMITED TO, THE LIMITED WARRANTIES OF MERCHANTABILITY OR FITNESS FOR A PARTICULAR PURPOSE. Some states do not allow disclaimers or express or implied warranties in certain transactions; therefore, this statement may not apply to you.

This publication could include technical inaccuracies or typographical errors. Changes are periodically made to the information herein; these changes will be incorporated in new editions of the publication. IBM may make improvements or changes in the products or the programs described in this publication at any time.

It is possible that this publication may contain reference to, or information about, IBM products (machines and programs), programming, or services that are not announced in your country. Such references or information must not be construed to mean that IBM intends to announce such IBM products, programming, or services in your country.

Requests for technical information about IBM products should be made to your IBM authorized dealer or your IBM marketing representative.

© Copyright International Business Machines Corporation 1999. All rights reserved.

Note to U.S. Government Users — Documentation related to restricted rights — Use, duplication or disclosure is subject to restrictions set forth in GSA ADP Schedule Contract with IBM Corp.

## *Contents*

---

<b>Part 1. Using the WorkPad z50 high-capacity battery pack or dry cell battery case</b> . . . . .	1-1
Attaching the high-capacity battery pack . . . . .	1-2
Attaching the dry cell battery case . . . . .	1-4

---

<b>Part 2. Appendixes</b> . . . . .	2-1
<b>Appendix A. Help and service information</b> . . . . .	2-1
Step 1. Problem solving . . . . .	2-1
Step 2. Preparing for the call . . . . .	2-2
Step 3. Placing the call to IBM . . . . .	2-2
<b>Appendix B. Product warranty</b> . . . . .	2-3
<b>Appendix C. Notices</b> . . . . .	2-5



---

## Part 1. Using the WorkPad z50 high-capacity battery pack or dry cell battery case

 **DANGER**

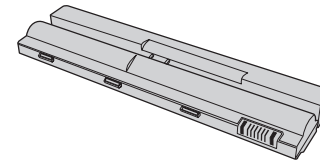
**Do not disassemble, incinerate, or short-circuit the rechargeable battery pack. Do not put it in trash that is disposed of in landfills. Dispose of it as required by local ordinances or regulations. In the United States, call IBM at 1-800-IBM-4333 for information on disposal.**

The *WorkPad z50 High-Capacity Battery Option with Dry Cell Battery Case* supports the WorkPad z50 Mobile Companion (hereafter called *WorkPad z50*). This option package includes a Li-ion high-capacity battery pack (hereafter called *high-capacity battery pack*) and a dry cell battery case. You can prolong the operating time using the high-capacity battery pack. Alternatively, you can use eight AA batteries with the dry cell battery case instead of using the battery pack.

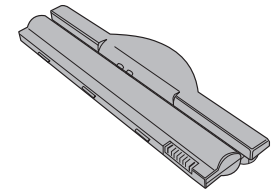
This book explains how to attach the high-capacity battery pack or the dry cell battery case.

Before you begin the installation, make sure that the following items are included in your option package:

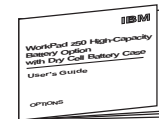
High-capacity battery pack



Dry cell battery case




This user's guide

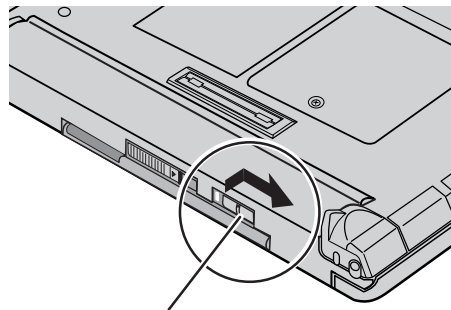


**Note:** Make sure your backup batteries are good if you change the battery pack. To check the backup batteries, refer to the *Online User's Guide* or *User's Reference* that comes with your WorkPad z50.

## Attaching the high-capacity battery pack

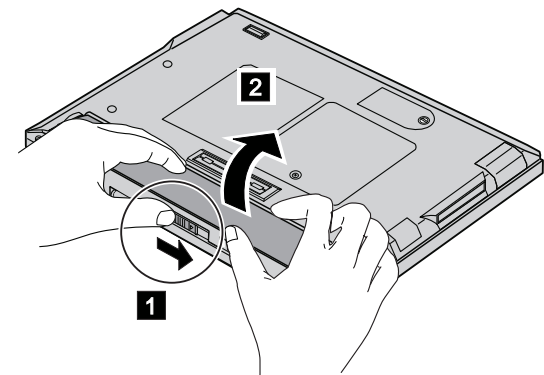
This section describes how to attach the high-capacity battery pack to your WorkPad z50.

- 1** Press the power button to enter the WorkPad z50 in suspend mode; then close the LCD, and turn the WorkPad z50 over.
- 2** Push and slide the battery release lock to the unlocked position (  ).

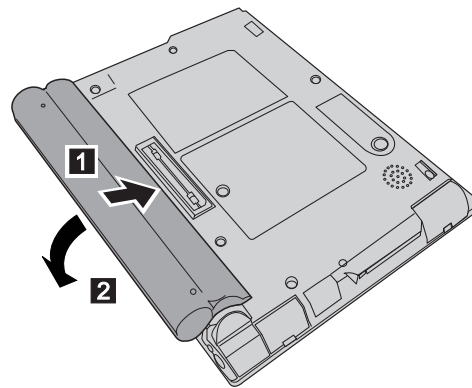


Battery release lock

- 3** Slide the battery release latch **1** and remove the battery pack **2**.

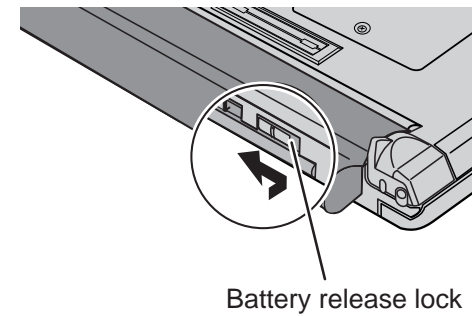


- 4** Attach the high-capacity battery pack to the WorkPad z50 as shown.



**Note:** Make sure you attach the high-capacity battery pack firmly.

- 5** Push and slide the battery release lock to the locked position (🔒).

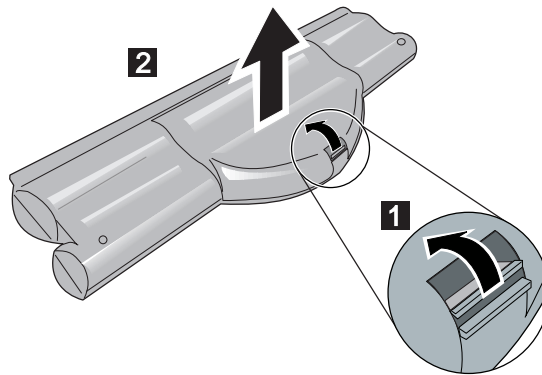


- 6** Turn the WorkPad z50 over again; then power it on.

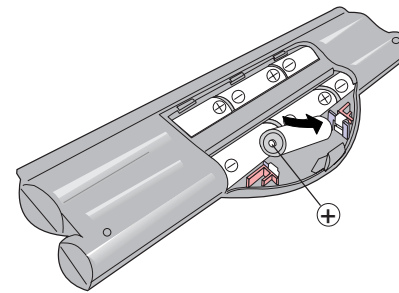
## Attaching the dry cell battery case

This section describes how to attach the dry cell battery case to the WorkPad z50.

- 1 Open the cover of the dry cell battery case.



- 2 Install eight AA batteries into the case with their polarities arranged as shown.

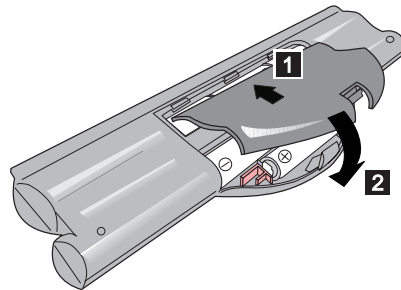



### Attention

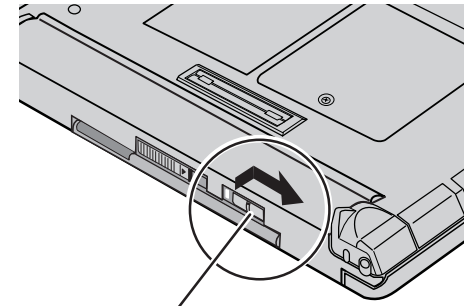
- Do not combine new and used batteries.
- Use only alkaline AA batteries, all of the same type.
- Ensure that the polarities are arranged correctly. Each battery except the single one should have its positive terminal point to the right; the single battery should have its positive terminal point to the left, as seen in the illustration.
- Remove the dry cell battery case from your WorkPad z50 whenever you remove or replace AA batteries. Removal and replacement of AA batteries with the dry cell battery case attached to your WorkPad z50 causes permanent loss of data.



- 3** Close the cover.

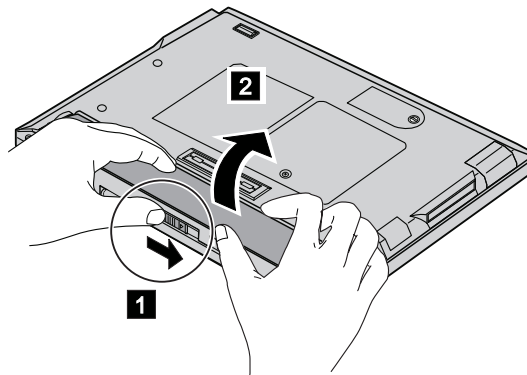


- 4** Press the power button to enter the WorkPad z50 in suspend mode; then close the LCD, and turn the WorkPad z50 over.
- 5** Push and slide the battery release lock to the unlocked position (  ).

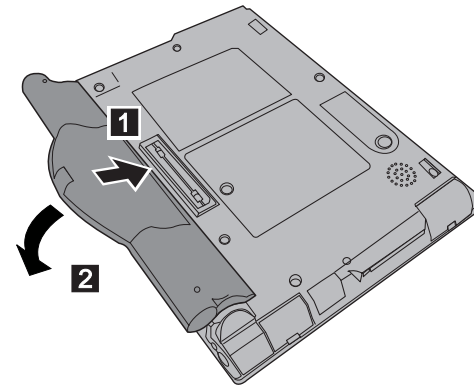


Battery release lock


- 6 Slide the battery release latch **1** and remove the battery pack **2**.

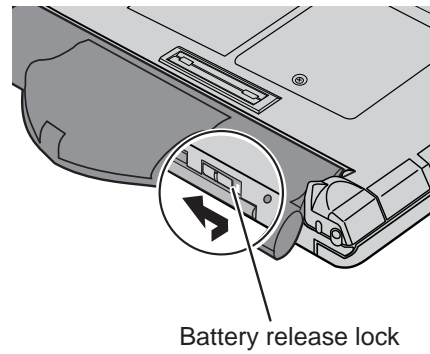


- 7 Attach the dry cell battery case to the WorkPad z50.



**Note:** Make sure you attach the dry cell battery case firmly.

- 8** Push and slide the battery release lock to the locked position (  ).



- 9** Turn the WorkPad z50 over again; then power it on.

### *Appendix A. Help and service information*

**Note**

This appendix provides general service information, and some descriptions might not apply to your particular computer or suit your situation.

If you have questions about your new Options by IBM product, or require technical assistance, visit the IBM Personal Computing Support Web site at <http://www.pc.ibm.com/support>. For information about IBM, IBM PC products, or Options by IBM, visit the IBM Personal Computing Web site at <http://www.pc.ibm.com>. Additionally, you can receive information from the IBM Automated Fax System at 1-800-426-3395 (in Canada, 1-800-465-3299), or from the Personal Systems Group Bulletin Board System (PSG BBS) at 1-919-517-0001. You can also get help and information through the IBM PC HelpCenter, 24 hours a day, seven days a week. Response time might vary depending on the number and nature of the calls received.

Marketing, installation, and configuration support through the HelpCenter will be withdrawn or made available for a fee, at IBM's discretion, 90 days after the option has been withdrawn from

marketing. Additional support offerings, including step-by-step installation assistance, are available for a nominal fee.

During the warranty period, assistance for replacement or exchange of defective components is available. In addition, if your IBM option is installed in an IBM computer, you might be entitled to service at your location. Your technical support representative can help you determine the best alternative.

#### **Step 1. Problem solving**

You might be able to solve the problem yourself. Before calling the HelpCenter, please prepare for the call by following these steps:

1. If you are having installation or configuration problems, refer to the detailed sections on installation found in this manual.
2. Visit the Personal Computing Support Web site specific to the model of option you have purchased. Updated installation instructions, hints and tips, or updated system-specific notes are often published in this section. You might find that later device drivers are available that will improve the performance and compatibility for your new option.
3. Uninstall and then reinstall the option. During the uninstallation process, be sure to remove any files that were installed during the previous installation. Many IBM options include uninstallation programs.

4. Check all cabling to be sure that it is correct as shown in this manual. When you connect a cable to a cable connector, pay close attention to the colored stripes along the edge of the cable, and ensure that they are matched with PIN 1 on both the computer connector and the option connector.
5. If your option contains jumpers or switches, be sure their positions and orientation match the instructions in this manual.

## Step 2. Preparing for the call

To assist the technical support representative, have available as much of the following information as possible:

1. Option name
2. Option number
3. Proof of purchase
4. Computer manufacturer, model, serial number (if IBM), and manual
5. Exact wording of the error message (if any)
6. Description of the problem
7. Hardware and software configuration information for your system

If possible, be at your computer. Your technical support representative might want to walk you through the problem during the call.

## Step 3. Placing the call to IBM

If you call 90 days or more after the date of withdrawal or after your warranty has expired, you might be charged a fee.

For the support telephone number and support hours by country, refer to the following table or to the enclosed technical support insert. If the number is not provided, contact your IBM reseller or IBM marketing representative.

<i>Support 24 hours a day, 7 days a week</i>	
Canada	1-800-565-3344
U.S.A. or Puerto Rico	1-800-772-2227

## Additional technical support resources

Online technical support is available during the life of your product. Online assistance can be obtained through the Personal Computing Support Web site, the PSG Electronic Bulletin Board System (BBS), and the IBM Automated Fax System.

<i>Online Technical Support</i>	
IBM Personal Computing Support Web site	<a href="http://www.pc.ibm.com/support">http://www.pc.ibm.com/support</a>
IBM PSG BBS	1-919-517-0001
IBM Automated Fax System	1-800-426-3395 1-800-465-3299 (in Canada)

## Appendix B. Product warranty

The following warranty information applies to products purchased in the United States, Canada, and Puerto Rico. For warranty terms and conditions for products purchased in other countries, see the enclosed warranty insert, or contact your IBM reseller or IBM marketing representative.

International Business Machines Corporation

Armonk, New York 10504

### Statement of limited warranty

*The warranties provided by IBM in this Statement of Limited Warranty apply only to Machines you originally purchase for your use, and not for resale, from IBM or your reseller. The term "Machine" means an IBM machine, its features, conversions, upgrades, elements, or accessories, or any combination of them. Unless IBM specifies otherwise, the following warranties apply only in the country where you acquire the Machine. If you have any questions, contact IBM or your reseller.*

**Machine:** WorkPad z50 High-Capacity Battery Option with Dry Cell Battery Case

**Warranty Period\*:** One year

*\*Contact your place of purchase for warranty service information.*

### Production status

Each Machine is manufactured from new parts, or new and used parts. In some cases, the Machine may not be new and may have been previously installed. Regardless of the Machine's production status, IBM's warranty terms apply.

### The IBM Warranty for machines

IBM warrants that each Machine 1) is free from defects in materials and workmanship and 2) conforms to IBM's Official Published Specifications. The warranty period for a Machine is a specified, fixed period commencing on its Date of Installation. The date on your receipt is the Date of Installation, unless IBM or your reseller informs you otherwise.

During the warranty period IBM or your reseller, if authorized by IBM, will provide warranty service under the type of service designated for the Machine and will manage and install engineering changes that apply to the Machine.

For IBM or your reseller to provide warranty service for a feature, conversion, or upgrade, IBM or your reseller may require that the Machine on which it is installed be 1) for certain Machines, the designated, serial-numbered Machine and 2) at an engineering-change level compatible with the feature, conversion, or upgrade. Many of these transactions involve the removal of parts and their return to IBM. You represent that all removed parts are genuine and unaltered. A part that replaces a removed part will assume the warranty service status of the replaced part.

If a Machine does not function as warranted during the warranty period, IBM or your reseller will repair it or replace it with one that is at least functionally equivalent, without charge. The replacement may not be new, but will be in good working order. If IBM or your reseller is unable to repair or replace the Machine, you may return it to your place of purchase and your money will be refunded.

If you transfer a Machine to another user, warranty service is available to that user for the remainder of the warranty period. You should give your proof of purchase and this Statement to that user. However, for Machines which have a lifetime warranty, this warranty is not transferable.

### **Warranty service**

To obtain warranty service for the Machine, you should contact your reseller or call IBM. In the United States, call IBM at **1-800-772-2227**. In Canada, call IBM at **1-800-565-3344**. You may be required to present proof of purchase.

IBM or your reseller will provide certain types of repair and exchange service, either at your location or at IBM's or your reseller's service center, to restore a Machine to good working order.

When a type of service involves the exchange of a Machine or part, the item IBM or your reseller replaces becomes its property, and the replacement becomes yours. You represent that all removed items are genuine and unaltered. The replacement may not be new, but will be in good working order and at least functionally equivalent to the item replaced. The replacement assumes the warranty service status of the replaced item. Before IBM or your reseller exchanges a Machine or part, you agree to remove all features, parts, options, alterations, and attachments not under warranty service. You also agree to ensure that the Machine is free of any legal obligations or restrictions that prevent its exchange.

You agree to:

1. obtain authorization from the owner to have IBM or your reseller service a Machine that you do not own; and
2. where applicable, before service is provided —
  - a. follow the problem determination, problem analysis, and service request procedures that IBM or your reseller provide,
  - b. secure all programs, data, and funds contained in a Machine, and
  - c. inform IBM or your reseller of changes in a Machine's location.

IBM is responsible for loss of, or damage to, your Machine while it is 1) in IBM's possession or 2) in transit in those cases where IBM is responsible for the transportation charges.

### **Extent of warranty**

IBM does not warrant uninterrupted or error-free operation of a Machine.

The warranties may be voided by misuse, accident, modification, unsuitable physical or operating environment, improper maintenance by you, removal or alteration of Machine or parts identification labels, or failure caused by a product for which IBM is not responsible.

**THESE WARRANTIES REPLACE ALL OTHER WARRANTIES OR CONDITIONS, EXPRESS OR IMPLIED, INCLUDING, BUT NOT LIMITED TO, THE IMPLIED WARRANTIES OR CONDITIONS OF MERCHANTABILITY AND FITNESS FOR A PARTICULAR PURPOSE. THESE WARRANTIES GIVE YOU SPECIFIC LEGAL RIGHTS AND YOU MAY ALSO HAVE OTHER RIGHTS WHICH VARY FROM JURISDICTION TO JURISDICTION. SOME JURISDICTIONS DO NOT ALLOW THE EXCLUSION OR LIMITATION OF EXPRESS OR IMPLIED WARRANTIES, SO THE ABOVE EXCLUSION OR LIMITATION MAY NOT APPLY TO YOU. IN THAT EVENT SUCH WARRANTIES ARE LIMITED IN DURATION TO THE WARRANTY PERIOD. NO WARRANTIES APPLY AFTER THAT PERIOD.**

### **Limitation of liability**

Circumstances may arise where, because of a default on IBM's part or other liability, you are entitled to recover damages from IBM. In each such instance, regardless of the basis on which you are entitled to claim damages from IBM (including fundamental breach, negligence, misrepresentation, or other contract or tort claim), IBM is liable only for:

1. damages for bodily injury (including death) and damage to real property and tangible personal property; and

2. the amount of any other actual direct damages or loss, up to the greater of U.S. \$100,000 or the charges (if recurring, 12 months' charges apply) for the Machine that is the subject of the claim.

UNDER NO CIRCUMSTANCES IS IBM LIABLE FOR ANY OF THE FOLLOWING:

1. THIRD-PARTY CLAIMS AGAINST YOU FOR LOSSES OR DAMAGES (OTHER THAN THOSE UNDER THE FIRST ITEM LISTED ABOVE);
2. LOSS OF, OR DAMAGE TO, YOUR RECORDS OR DATA;  
OR
3. SPECIAL, INCIDENTAL, OR INDIRECT DAMAGES OR FOR ANY ECONOMIC CONSEQUENTIAL DAMAGES (INCLUDING LOST PROFITS OR SAVINGS), EVEN IF IBM OR YOUR RESELLER IS INFORMED OF THEIR POSSIBILITY. SOME JURISDICTIONS DO NOT ALLOW THE EXCLUSION OR LIMITATION OF INCIDENTAL OR CONSEQUENTIAL DAMAGES, SO THE ABOVE EXCLUSION OR LIMITATION MAY NOT APPLY TO YOU.

## *Appendix C. Notices*

References in this publication to IBM products, programs, or services do not imply that IBM intends to make these available in all countries in which IBM operates. Any reference to an IBM product, program, or service is not intended to state or imply that only that IBM product, program, or service may be used. Any functionally equivalent product, program, or service that does not infringe any of the intellectual property rights of IBM may be used instead of the IBM product, program, or service. The evaluation and verification of operation in conjunction with other products, except those expressly designated by IBM, are the responsibility of the user.

IBM may have patents or pending patent applications covering subject matter in this document. The furnishing of this document does not give you any license to these patents. You can send license inquiries, in writing, to the IBM Director of Licensing, IBM Corporation, North Castle Drive, Armonk NY 10504-1784, U.S.A.

## **Trademarks**

The following terms are trademarks of the IBM Corporation in the United States or other countries or both:

IBM  
WorkPad



### **Deutsche EMV-Direktive (electromagnetische Verträglichkeit)**

Dieses Gerät ist berechtigt in Übereinstimmung mit dem deutschen EMVG vom 9.Nov.92 das EG-Konformitätszeichen zu führen.

Der Aussteller der Konformitätserklärung ist die IBM.

Dieses Gerät erfüllt die Bedingungen der EN 55022 Klasse B.

### **European Union - emission directive**

This product (high-capacity battery pack) is in conformity with the protection requirements of EU Council Directive 89/366/ECC on the approximation of the laws of the Member States relating to electromagnetic compatibility.

IBM cannot accept responsibility for any failure to satisfy the protection requirements resulting from a non-recommended modification of the product, including the fitting of non-IBM option cards.

This product has been tested and found to comply with the limits for Class B Information Technology Equipment according to CISPR 22 / European Standard EN 55022. The limits for Class B equipment were derived for typical residential environments to provide reasonable protection against interference with licensed communication devices.

### **Union Européenne - Directive Conformité électromagnétique**

Ce produit est conforme aux exigences de protection de la Directive 89/336/EEC du Conseil de l'UE sur le rapprochement des lois des États membres en matière de compatibilité électromagnétique.

IBM ne peut accepter aucune responsabilité pour le manquement aux exigences de protection résultant d'une modification non recommandée du produit, y compris l'installation de cartes autres que les cartes IBM.

Ce produit a été testé et il satisfait les conditions de l'équipement informatique de Classe B en vertu de CISPR22 / Standard européen EN 55022. Les conditions pour l'équipement de Classe B ont été définies en fonction d'un contexte résidentiel ordinaire afin de fournir une protection raisonnable contre l'interférence d'appareils de communication autorisés.

### **Unione Europea - Directiva EMC (Conformidad electromagnética)**

Este producto satisface los requisitos de protección del Consejo de la UE, Directiva 89/336/CEE en lo que a la legislatura de los Estados Miembros sobre compatibilidad electromagnética se refiere.

IBM no puede aceptar responsabilidad alguna si este producto deja de satisfacer dichos requisitos de protección como resultado de una modificación no recomendada del producto, incluyendo el ajuste de tarjetas de opción que no sean IBM.

Este producto ha sido probado y satisface los límites para Equipos Informáticos Clase B de conformidad con el Estándar CISPR22 y el Estándar Europeo EN 55022. Los límites para los equipos de Clase B se han establecido para entornos residenciales típicos a fin de proporcionar una protección razonable contra las interferencias con dispositivos de comunicación licenciados.

### **Union Europea - Normativa EMC**

Questo prodotto è conforme alle normative di protezione ai sensi della Direttiva del Consiglio dell'Unione Europea 89/336/CEE sull'armonizzazione legislativa degli stati membri in materia di compatibilità elettromagnetica.

IBM non accetta responsabilità alcuna per la mancata conformità alle normative di protezione dovuta a modifiche non consigliate al prodotto, compresa l'installazione di schede e componenti di marca diversa da IBM.

Le prove effettuate sul presente prodotto hanno accertato che esso rientra nei limiti stabiliti per le apparecchiature di informatica Classe B ai sensi del CISPR 22 / Norma Europea EN 55022. I limiti delle apparecchiature della Classe B sono stati stabiliti al fine di fornire ragionevole protezione da interferenze mediante dispositivi di comunicazione in concessione in ambienti residenziali tipici.

IBM

Part Number: 46L3165

Printed in the United States of America

