

## Hardware Maintenance Manual

### Types

6487 8009 8010 8011 8012

8791 8792 8793 8794 8795

8796 8797 8798 8799 8800

8801 8802 8803 8804 8805

8806 8807 8808 8810 8811

8812 8813 8814 8816 9166

9167 9168



**ThinkCentre**

# Hardware Maintenance Manual

**Note:** Before using this information and the product it supports, be sure to read the information under “Notices,” on page 381.

**Ninth Edition (September 2007)**

**© Copyright Lenovo 2005, 2007.**

**Portions © Copyright International Business Machines Corporation 2005.**

**All rights reserved.**

LENOVO products, data, computer software, and services have been developed exclusively at private expense and are sold to governmental entities as commercial items as defined by 48 C.F.R. 2.101 with limited and restricted rights to use, reproduction and disclosure.

LIMITED AND RESTRICTED RIGHTS NOTICE: If products, data, computer software, or services are delivered pursuant a General Services Administration “GSA” contract, use, reproduction, or disclosure is subject to restrictions set forth in Contract No. GS-35F-05925.

---

# Contents

## Chapter 1. About this manual . . . . . 1

|  |   |
|--|---|
| Important Safety Information . . . . .                               | 1 |
| Strategy for replacing FRUs for CTO, CMV, and GAV products . . . . . | 2 |
| Product definition . . . . .   | 2 |
| FRU Identification for CTO, CMV, and GAV products . . . . .          | 2 |
| Important information about replacing RoHS compliant FRUs . . . . .  | 3 |

## Chapter 2. Safety information . . . . . 5

|  |   |
|--|---|
| General safety . . . . .                                     | 5 |
| Electrical safety . . . . .                                  | 5 |
| Safety inspection guide . . . . .                            | 7 |
| Handling electrostatic discharge-sensitive devices . . . . . | 8 |
| Grounding requirements . . . . .                             | 8 |
| Safety notices (multi-lingual translations) . . . . .        | 9 |

## Chapter 3. General information . . . . . 39

|  |    |
|--|----|
| The ThinkVantage Productivity Center program . . . . .             | 39 |
| Additional information resources . . . . .                         | 39 |
| Physical specifications . . . . .                                  | 39 |
| Types 8009, 8791, 8795, 8799, 8803, 8807, and 8812 . . . . .       | 40 |
| Types 8010, 8792, 8796, 8800, 8804, 8808, 8813, and 9168 . . . . . | 41 |
| Types 8011, 8793, 8797, 8801, 8805, 8810, 8814, and 9166 . . . . . | 42 |
| Types 8012, 8794, 8798, 8802, 8806, 8811, 8816, and 9167 . . . . . | 43 |

## Chapter 4. General Checkout . . . . . 45

|                                      |    |
|--------------------------------------|----|
| Problem determination tips . . . . . | 46 |
|--------------------------------------|----|

## Chapter 5. Diagnostics . . . . . 49

|  |    |
|--|----|
| PC-Doctor for Windows . . . . .                                      | 49 |
| PC-Doctor for DOS . . . . .  | 49 |
| Creating a diagnostic CD image . . . . .                             | 50 |
| Creating diagnostic diskettes . . . . .                              | 50 |
| Running diagnostics from the CD or diskettes . . . . .               | 50 |
| Running diagnostics from the Rescue and Recovery workspace . . . . . | 51 |
| PC-Doctor for Windows PE . . . . .                                   | 51 |
| Running diagnostics from the Rescue and Recovery workspace . . . . . | 51 |
| Navigating through the diagnostics programs . . . . .                | 52 |
| Running tests . . . . .  | 52 |
| Test results . . . . .   | 52 |
| Fixed disk advanced test (FDAT) . . . . .                            | 53 |
| Quick and Full erase - hard drive . . . . .                          | 54 |
| Viewing the test log . . . . .                                       | 55 |

## Chapter 6. Using the Setup Utility . . . . . 57

|  |    |
|--|----|
| Starting the Setup Utility program . . . . . | 57 |
| Viewing and changing settings . . . . .      | 57 |

|  |    |
|--|----|
| Exiting from the Setup Utility program . . . . .     | 57 |
| Using passwords . . . . .                            | 57 |
| User Password . . . . .                              | 58 |
| Administrator Password . . . . .                     | 58 |
| Setting, changing, and deleting a password . . . . . | 58 |
| Selecting a startup device . . . . .                 | 58 |
| Selecting a temporary startup device . . . . .       | 58 |
| Changing the startup device sequence . . . . .       | 58 |
| Advanced settings . . . . .                          | 59 |

## Chapter 7. Symptom-to-FRU Index . . . . . 61

|  |    |
|--|----|
| Hard disk drive boot error . . . . .   | 61 |
| Power Supply Errors . . . . .          | 61 |
| Diagnostic error codes . . . . .       | 63 |
| Beep symptoms . . . . .                | 84 |
| No-beep symptoms . . . . .             | 86 |
| POST error codes . . . . .             | 87 |
| Miscellaneous error messages . . . . . | 90 |
| Undetermined problems . . . . .        | 92 |

## Chapter 8. FRU lists . . . . . 93

|                             |     |
|-----------------------------|-----|
| Machine Type 6487 . . . . . | 94  |
| Machine Type 6488 . . . . . | 104 |
| Machine Type 8009 . . . . . | 114 |
| Machine Type 8010 . . . . . | 122 |
| Machine Type 8011 . . . . . | 124 |
| Machine Type 8012 . . . . . | 132 |
| Machine Type 8791 . . . . . | 143 |
| Machine Type 8792 . . . . . | 151 |
| Machine Type 8793 . . . . . | 160 |
| Machine Type 8794 . . . . . | 168 |
| Machine Type 8795 . . . . . | 177 |
| Machine Type 8796 . . . . . | 184 |
| Machine Type 8797 . . . . . | 193 |
| Machine Type 8798 . . . . . | 200 |
| Machine Type 8799 . . . . . | 209 |
| Machine Type 8800 . . . . . | 219 |
| Machine Type 8801 . . . . . | 230 |
| Machine Type 8802 . . . . . | 240 |
| Machine Type 8803 . . . . . | 250 |
| Machine Type 8804 . . . . . | 259 |
| Machine Type 8805 . . . . . | 267 |
| Machine Type 8806 . . . . . | 275 |
| Machine Type 8807 . . . . . | 283 |
| Machine Type 8808 . . . . . | 295 |
| Machine Type 8810 . . . . . | 311 |
| Machine Type 8811 . . . . . | 323 |
| Machine Type 8812 . . . . . | 340 |
| Machine Type 8813 . . . . . | 346 |
| Machine Type 8814 . . . . . | 353 |
| Machine Type 8816 . . . . . | 359 |
| Machine Type 9166 . . . . . | 366 |
| Machine Type 9167 . . . . . | 369 |
| Machine Type 9168 . . . . . | 372 |

## Chapter 9. Additional Service

### Information . . . . . 375

|  |     |
|--|-----|
| Security features . . . . .                                      | 375 |
| Hardware controlled Passwords . . . . .                          | 375 |
| Operating system password . . . . .                              | 375 |
| Vital product data . . . . .                                     | 375 |
| BIOS levels . . . . .  | 375 |
| Flash update procedures. . . . .                                 | 375 |
| Updating (flashing) BIOS from a diskette or<br>CD-ROM. . . . .   | 376 |
| Updating (flashing) BIOS from your operating<br>system . . . . . | 376 |

|   |     |
|---|-----|
| Recovering from a POST/BIOS update failure . . . . .                  | 376 |
| Power management . . . . .  | 378 |
| Automatic configuration and power interface<br>(ACPI) BIOS. . . . .   | 378 |
| Automatic Power-On features . . . . .                                 | 378 |
| Recovering software using the Rescue and<br>Recovery program. . . . . | 379 |

### Appendix. Notices . . . . . 381

|                                    |     |
|------------------------------------|-----|
| Television output notice . . . . . | 382 |
| Trademarks . . . . .               | 382 |

---

## Chapter 1. About this manual

This manual contains service and reference information for ThinkCentre® computers listed on the cover. It is intended only for trained servicers who are familiar with Lenovo computer products.

Before servicing a Lenovo product, be sure to read the Safety Information. See Chapter 2, "Safety information," on page 5.

The Symptom-to-FRU Index and Additional Service Information chapters are not specific to any machine type and are applicable to all ThinkCentre computers.

This manual includes a complete FRU part number listing for each machine type and model listed on the cover. If you have internet access, FRU part numbers are also available at:

<http://www.lenovo.com/think/support>

This manual does not include procedures for replacing FRUs. For FRU replacement procedures, refer to the *Hardware Replacement Guide* for the appropriate machine type. The *Hardware Replacement Guide* is available at:  
<http://www.lenovo.com/think/support>.

---

## Important Safety Information

Be sure to read all caution and danger statements in this book before performing any of the instructions.

Veillez lire toutes les consignes de type DANGER et ATTENTION du présent document avant d'exécuter les instructions.

Lesen Sie unbedingt alle Hinweise vom Typ "ACHTUNG" oder "VORSICHT" in dieser Dokumentation, bevor Sie irgendwelche Vorgänge durchführen

Leggere le istruzioni introdotte da ATTENZIONE e PERICOLO presenti nel manuale prima di eseguire una qualsiasi delle istruzioni

Certifique-se de ler todas as instruções de cuidado e perigo neste manual antes de executar qualquer uma das instruções

Es importante que lea todas las declaraciones de precaución y de peligro de este manual antes de seguir las instrucciones.

تأكد من قراءة كل التحذيرات الموجودة في هذا الكتاب قبل اتباع هذه التعليمات .

执行任何说明之前，请确保已阅读本书中的所有警告和危险声明。

執行任何指示前，請確實閱讀本書中的所有警告及危險聲明。

ודאו שקראתם את כל הודעות האזהרה והסכנה במסמך זה לפני שתבצעו פעולה כלשהי.

---

## Strategy for replacing FRUs for CTO, CMV, and GAV products

### Product definition

#### Dynamic Configure To Order (CTO)

This provides the ability for a customer to configure a Lenovo solution from an eSite, and have this configuration sent to fulfillment, where it is built and shipped directly to the customer. The machine label, PC Entitlement Warehouse (PEW), eSupport, and the HMM will include these products as the 4-digit machine type (MT) and 3-digit model, where model = 'CTO' (Example: 8129-CTO)

#### Custom Model Variant (CMV)

This is a unique configuration that has been negotiated between Lenovo and the customer. A unique 4-digit MT and 3-digit model is provided to the customer to place orders (Example: 8129-W15) A CMV is a special bid offering. Therefore, it is NOT generally announced.

- The machine type model (MTM) portion of the machine label is the 4-digit MT and 3-digit model, where model = 'CTO' (Example: 8129-CTO) The PRODUCT ID portion of the machine label is the 4-digit MT and 3-digit CMV model (Example: 8129-W15)
- The PEW record is the 4-digit MT and 3-digit model, where model = 'CTO' (Example: 8129-CTO)
- eSupport will show both the CTO and CMV machine type models (Example: 8129-CTO and 8129-W15 will be found on the eSupport site.)
- The HMM will have the 4-digit MT and 3-digit CTO model only (Example: 8129-CTO) Again, CMVs are custom models and are not found in the HMM.

#### General Announce Variant (GAV)

This is a standard model (fixed configuration) GAVs are announced and offered to all customers. The MTM portion of the machine label is a 4-digit MT and 3-digit model, where model = a "fixed model number", not 'CTO' (Example: 8129-F1U) Also, PEW, eSupport, and the HMM will list these products under the same fixed model number.

### FRU Identification for CTO, CMV, and GAV products

There are three information resources to identify which FRUs are used to support CTO, CMV, and GAV products. These sources are PEW, eSupport, and the HMM.

#### Using PEW

- PEW is the primary source for identifying FRU part numbers and FRU descriptions for the key commodities for CTO, CMV and GAV products at a MT - serial number level. An example of key commodities are hard disk drives, system boards, microprocessors, Liquid Crystal Displays (LCDs), and memory.
- Remember, All CTO and CMV products are loaded in PEW under the 4-digit MT and 3-digit model, where model = 'CTO' (Example: 8129-CTO) GAVs are loaded in PEW under the 4-digit MT and 3-digit model, where model = a "fixed model number", not 'CTO' (Example: 8129-F1U)
- PEW can be accessed as follows:
  1. Point your browser to <http://w3-3.ibm.com/pc/entitle>.
  2. Under PEW Home, click **Machine Lookup**.



3. Under Machine Lookup, click **Warranty Information**.
4. Under Warranty Information, type the MT and Serial number and click **Submit**.

The list of key commodities is returned in the PEW record under Component Information.

- **Business Partners** using Eclaim will access PEW when performing Entitlement Lookup. Business Partners will enter Loc ID, MT and Serial, and the key commodities will be returned in the Eclaim record under System Details.
- Authorized Lenovo Business Partners can access Eclaim at the following Web site:  
<http://wca.eclaim.com>

## Using eSupport

### For Key Commodities (Examples - hard disk drive, system board, microprocessor, LCD, and memory)

- eSupport can be used to view the list of key commodities built in a particular machine serial (this is the same record found in PEW)
- eSupport can be accessed at the following Web site:  
<http://www.lenovo.com/think/support>
- To view the key commodities:
  1. Click **Parts information**.
  2. Under Parts information, click **Parts lookup**.
  3. Under Parts lookup, type the model type and serial number; then click **Continue**.

The key commodities are returned in the eSupport record under Parts shipped with your system.

### For the remaining FRUs (the complete list of FRUs at the MT Model level)

- eSupport can be used to view the complete list of FRUs for a machine type and model.
- To view the complete list of FRUs for a machine type:
  1. Point your browser to <http://www.lenovo.com/think/support>.
  2. Type the machine type (Example: 8129) in the Use Quick Path field; then click **Go**.
  3. Under Browse by product, click **Continue**.
  4. Under Important information, click **Parts information**.
  5. In the Refine results field, select **Service parts**; then click the entry for your machine type.

The list of service parts by description, with applicable machine type model and FRU part number is displayed.

## Using the HMM

- Use the HMM as a back-up to PEW and eSupport to view the complete list of FRU part numbers at the MT Model level.

---

## Important information about replacing RoHS compliant FRUs

RoHS, The Restriction of Hazardous Substances in Electrical and Electronic Equipment Directive (2002/95/EC) is a European Union legal requirement affecting the global electronics industry. RoHS requirements must be implemented on Lenovo products placed on the market after June 2006. Products on the market before June 2006 are not required to have RoHS compliant parts.

**So, if the parts are not compliant originally, replacement parts can also be noncompliant, but in all cases, if the parts are compliant, the replacement parts must also be compliant.**

Lenovo plans to transition to RoHS compliance well before the implementation date and expects its suppliers to be ready to support Lenovo's requirements and schedule. Products sold in 2005, will contain some RoHS compliant FRUs. The following statement pertains to these products and any product Lenovo produces containing RoHS compliant parts.

RoHS compliant ThinkCentre parts have unique FRU part numbers. Before or after June, 2006, failed RoHS compliant parts must always be replaced using RoHS compliant FRUs, so only the FRUs identified as compliant in the system HMM or direct substitutions for those FRUs can be used.

| Products marketed before June 2006 |                 | Products marketed after June 2006 |                 |
|------------------------------------|-----------------|-----------------------------------|-----------------|
| Current or original part           | Replacement FRU | Current or original part          | Replacement FRU |
| Non-RoHS                           | Can be Non-RoHS | Must be RoHS                      | Must be RoHS    |
| Non-RoHS                           | Can be RoHS     |                                   |                 |
| Non-RoHS                           | Can sub to RoHS |                                   |                 |
| RoHS                               | Must be RoHS    |                                   |                 |

**Note:** A direct substitution is a part with a different FRU part number that is automatically shipped by the distribution center at the time of order.

Related Web URLs are:

- Lenovo information for Suppliers website:  
<http://www-03.ibm.com/procurement/proweb.nsf/ContentDocsByTitle/United+States~Information+for+suppliers>
- RoHS Directive:  
[http://europa.eu.int/eur-lex/pri/en/oj/dat/2003/l\\_037/l\\_03720030213en00190023.pdf](http://europa.eu.int/eur-lex/pri/en/oj/dat/2003/l_037/l_03720030213en00190023.pdf)
- California Senate Bills 20, 50:  
<http://www.ciwmb.ca.gov/HHW/Events/AnnualConf/2004/presentation/MPaparian.pdf>

---

## Chapter 2. Safety information

This chapter contains the safety information that you need to be familiar with before servicing a computer.

---

### General safety

Follow these rules to ensure general safety:

- Observe good housekeeping in the area of the machines during and after maintenance.
- When lifting any heavy object:
  1. Ensure you can stand safely without slipping.
  2. Distribute the weight of the object equally between your feet.
  3. Use a slow lifting force. Never move suddenly or twist when you attempt to lift.
  4. Lift by standing or by pushing up with your leg muscles; this action removes the strain from the muscles in your back. *Do not attempt to lift any objects that weigh more than 16 kg (35 lb) or objects that you think are too heavy for you.*
- Do not perform any action that causes hazards to the customer, or that makes the equipment unsafe.
- Before you start the machine, ensure that other service representatives and the customer's personnel are not in a hazardous position.
- Place removed covers and other parts in a safe place, away from all personnel, while you are servicing the machine.
- Keep your tool case away from walk areas so that other people will not trip over it.
- Do not wear loose clothing that can be trapped in the moving parts of a machine. Ensure that your sleeves are fastened or rolled up above your elbows. If your hair is long, fasten it.
- Insert the ends of your necktie or scarf inside clothing or fasten it with a nonconductive clip, approximately 8 centimeters (3 inches) from the end.
- Do not wear jewelry, chains, metal-frame eyeglasses, or metal fasteners for your clothing.

**Remember:** Metal objects are good electrical conductors.
- Wear safety glasses when you are: hammering, drilling soldering, cutting wire, attaching springs, using solvents, or working in any other conditions that might be hazardous to your eyes.
- After service, reinstall all safety shields, guards, labels, and ground wires. Replace any safety device that is worn or defective.
- Reinstall all covers correctly before returning the machine to the customer.

---

### Electrical safety



**CAUTION:**

Electrical current from power, telephone, and communication cables can be hazardous. To avoid personal injury or equipment damage, disconnect the attached power cords, telecommunication systems, networks, and modems before you open the server/workstation covers, unless instructed otherwise in the installation and configuration procedures.

Observe the following rules when working on electrical equipment.

**Important:** Use only approved tools and test equipment. Some hand tools have handles covered with a soft material that does not insulate you when working with live electrical currents.

Many customers have, near their equipment, rubber floor mats that contain small conductive fibers to decrease electrostatic discharges. Do not use this type of mat to protect yourself from electrical shock.

- Find the room emergency power-off (EPO) switch, disconnecting switch, or electrical outlet. If an electrical accident occurs, you can then operate the switch or unplug the power cord quickly.
- Do not work alone under hazardous conditions or near equipment that has hazardous voltages.
- Disconnect all power before:
  - Performing a mechanical inspection
  - Working near power supplies
  - Removing or installing main units
- Before you start to work on the machine, unplug the power cord. If you cannot unplug it, ask the customer to power-off the wall box that supplies power to the machine and to lock the wall box in the off position.
- If you need to work on a machine that has exposed electrical circuits, observe the following precautions:
  - Ensure that another person, familiar with the power-off controls, is near you.  
**Remember:** Another person must be there to switch off the power, if necessary.
  - Use only one hand when working with powered-on electrical equipment; keep the other hand in your pocket or behind your back.  
**Remember:** There must be a complete circuit to cause electrical shock. By observing the above rule, you may prevent a current from passing through your body.
  - When using testers, set the controls correctly and use the approved probe leads and accessories for that tester.
  - Stand on suitable rubber mats (obtained locally, if necessary) to insulate you from grounds such as metal floor strips and machine frames.

Observe the special safety precautions when you work with very high voltages; these instructions are in the safety sections of maintenance information. Use extreme care when measuring high voltages.

- Regularly inspect and maintain your electrical hand tools for safe operational condition.
- Do not use worn or broken tools and testers.
- *Never assume* that power has been disconnected from a circuit. First, *check* that it has been powered-off.

- Always look carefully for possible hazards in your work area. Examples of these hazards are moist floors, nongrounded power extension cables, power surges, and missing safety grounds.
- Do not touch live electrical circuits with the reflective surface of a plastic dental mirror. The surface is conductive; such touching can cause personal injury and machine damage.
- Do not service the following parts with the power on when they are removed from their normal operating places in a machine:
  - Power supply units
  - Pumps
  - Blowers and fans
  - Motor generators
 and similar units. (This practice ensures correct grounding of the units.)
- If an electrical accident occurs:
  - Use caution; do not become a victim yourself.
  - Switch off power.
  - Send another person to get medical aid.

---

## Safety inspection guide

The intent of this inspection guide is to assist you in identifying potentially unsafe conditions on these products. Each machine, as it was designed and built, had required safety items installed to protect users and service personnel from injury. This guide addresses only those items. However, good judgment should be used to identify potential safety hazards due to attachment of features or options not covered by this inspection guide.

If any unsafe conditions are present, you must determine how serious the apparent hazard could be and whether you can continue without first correcting the problem.

Consider these conditions and the safety hazards they present:

- Electrical hazards, especially primary power (primary voltage on the frame can cause serious or fatal electrical shock)
- Explosive hazards, such as a damaged CRT face or bulging capacitor
- Mechanical hazards, such as loose or missing hardware

The guide consists of a series of steps presented in a checklist. Begin the checks with the power off, and the power cord disconnected.

Checklist:

1. Check exterior covers for damage (loose, broken, or sharp edges)
2. Power-off the computer. Disconnect the power cord.
3. Check the power cord for:
  - a. A third-wire ground connector in good condition. Use a meter to measure third-wire ground continuity for 0.1 ohm or less between the external ground pin and frame ground.
  - b. The power cord should be the appropriate type as specified in the parts listings.
  - c. Insulation must not be frayed or worn.
4. Remove the cover.

5. Check for any obvious alterations. Use good judgment as to the safety of any alterations.
6. Check inside the unit for any obvious unsafe conditions, such as metal filings, contamination, water or other liquids, or signs of fire or smoke damage.
7. Check for worn, frayed, or pinched cables.
8. Check that the power-supply cover fasteners (screws or rivets) have not been removed or tampered with.

---

## Handling electrostatic discharge-sensitive devices

Any computer part containing transistors or integrated circuits (ICs) should be considered sensitive to electrostatic discharge (ESD). ESD damage can occur when there is a difference in charge between objects. Protect against ESD damage by equalizing the charge so that the machine, the part, the work mat, and the person handling the part are all at the same charge.

### Notes:

1. Use product-specific ESD procedures when they exceed the requirements noted here.
2. Make sure that the ESD protective devices you use have been certified (ISO 9000) as fully effective.

When handling ESD-sensitive parts:

- Keep the parts in protective packages until they are inserted into the product.
- Avoid contact with other people.
- Wear a grounded wrist strap against your skin to eliminate static on your body.
- Prevent the part from touching your clothing. Most clothing is insulative and retains a charge even when you are wearing a wrist strap.
- Use the black side of a grounded work mat to provide a static-free work surface. The mat is especially useful when handling ESD-sensitive devices.
- Select a grounding system, such as those listed below, to provide protection that meets the specific service requirement.

**Note:** The use of a grounding system is desirable but not required to protect against ESD damage.

- Attach the ESD ground clip to any frame ground, ground braid, or green-wire ground.
- Use an ESD common ground or reference point when working on a double-insulated or battery-operated system. You can use coax or connector-outside shells on these systems.
- Use the round ground-prong of the ac plug on ac-operated computers.

---

## Grounding requirements

Electrical grounding of the computer is required for operator safety and correct system function. Proper grounding of the electrical outlet can be verified by a certified electrician.

---

## Safety notices (multi-lingual translations)

The caution and danger safety notices in this section are provided in the following languages:

- English
- Arabic
- Brazilian/Portuguese
- Chinese (simplified)
- Chinese (traditional)
- French
- German
- Hebrew
- Italian
- Korean
- Spanish



### DANGER

Electrical current from power, telephone and communication cables is hazardous.

To avoid a shock hazard:

- **Do not connect or disconnect any cables or perform installation, maintenance, or reconfiguration of this product during an electrical storm.**
- **Connect all power cords to a properly wired and grounded electrical outlet.**
- **Connect to properly wired outlets any equipment that will be attached to this product.**
- **When possible, use one hand only to connect or disconnect signal cables.**
- **Never turn on any equipment when there is evidence of fire, water, or structural damage.**
- **Disconnect the attached power cords, telecommunications systems, networks, and modems before you open the device covers, unless instructed otherwise in the installation and configuration procedures.**
- **Connect and disconnect cables as described in the following table when installing, moving, or opening covers on this product or attached devices.**

| To Connect   | To Disconnect   |
|--|---|
| <ol style="list-style-type: none"><li>1. Turn everything OFF.</li><li>2. First, attach all cables to devices.</li><li>3. Attach signal cables to connectors.</li><li>4. Attach power cords to outlet.</li><li>5. Turn device ON.</li></ol> | <ol style="list-style-type: none"><li>1. Turn everything OFF.</li><li>2. First, remove power cords from outlet.</li><li>3. Remove signal cables from connectors.</li><li>4. Remove all cables from devices.</li></ol> |



**CAUTION:**

When replacing the lithium battery, use only Part Number 33F8354 or an equivalent type battery recommended by the manufacturer. If your system has a module containing a lithium battery, replace it only with the same module type made by the same manufacturer. The battery contains lithium and can explode if not properly used, handled, or disposed of.

*Do not:*

- Throw or immerse into water
- Heat to more than 100°C (212°F)
- Repair or disassemble

Dispose of the battery as required by local ordinances or regulations.



**CAUTION:**

When laser products (such as CD-ROMs, DVD-ROM drives, fiber optic devices, or transmitters) are installed, note the following:

- Do not remove the covers. Removing the covers of the laser product could result in exposure to hazardous laser radiation. There are no serviceable parts inside the device.
- Use of controls or adjustments or performance of procedures other than those specified herein might result in hazardous radiation exposure.



**DANGER:** Some laser products contain an embedded Class 3A or Class 3B laser diode. Note the following:

Laser radiation when open. Do not stare into the beam, do not view directly with optical instruments, and avoid direct exposure to the beam.



≥18 kg (37 lbs)



≥32 kg (70.5 lbs)



≥55 kg (121.2 lbs)

**CAUTION:**

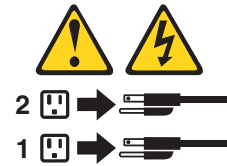
Use safe practices when lifting.





**CAUTION:**

The power control button on the device and the power switch on the power supply do not turn off the electrical current supplied to the device. The device also might have more than one power cord. To remove all electrical current from the device, ensure that all power cords are disconnected from the power source.





## خطر

التيار الكهربى الموجود بمصدر الطاقة أو أجهزة التليفون أو أسلاك الإتصالات يشكل خطورة.

لتفادي مخاطر الصدمات الكهربائية:

لا تحاول توصيل أو فصل أي أسلاك أو القيام بعمليات تركيب أو صيانة أو إعادة توصيف لهذا المنتج أثناء وجود عاصفة كهربائية.

يجب توصيل كل أسلاك الكهرباء في مخارج كهرباء ذات توصيلات أسلاك وتوصيلات أرضية صحيحة  
يجب توصيل أي جهاز سيتم الحاقه بهذا المنتج في مخارج كهرباء ذات توصيلات أسلاك صحيحة.

وإن أمكن يجب استخدام يد واحدة فقط في توصيل أو فصل أسلاك الإشارة.

لا تحاول تشغيل أي جهاز إذا كان هناك أثر لحرق أو مياه أو تلف بالمكونات

يجب فصل أسلاك الكهرباء وأنظمة الاتصالات وشبكات الاتصال وأجهزة المودم الملحقة قبل فتح أغطية الجهاز، ما لم يتم طلب خلاف ذلك في التعليمات الخاصة بالتركيب والتوصيف.

قم بتوصيل وفصل الأسلاك كما هو موضح في الجدول التالي وذلك عند القيام بعمليات التركيب أو النقل أو فتح أغطية هذا المنتج أو الأجهزة الملحقة.

### للتوصيل:

قم بإيقاف كل شيء.

أولاً، قم بتوصيل كل الأسلاك بالأجهزة.

قم بتوصيل أسلاك الإشارة في لموصلات.

قم بتوصيل أسلاك الكهرباء في المخارج.

قم بتشغيل الجهاز.

### للفصل:

قم بإيقاف كل شيء.

أولاً، قم بفصل كل أسلاك الكهرباء من المخرج.

قم بفصل أسلاك الإشارة من الموصلات.

قم بفصل كل الأسلاك من الأجهزة.



تنبيه :

عند استبدال البطارية الليثيوم، استخدم فقط رقم الجزء الخاص **Part Number 33F8354** أو نوع آخر يكون على نفس مستوى الكفاءة يحدده لك المصنع.  
إذا كان النظام الخاص يستخدم معه بطارية ليثيوم قم باستبدالها بنفس النوع الذي تم صناعته من خلال نفس المصنع. تحتوي البطارية على مادة الليثيوم ويمكن أن تنفجر في حالة عدم استخدامها أو التعامل معها بطريقة صحيحة أو عند التخلص منها بطريقة خطأ.

لا تقم بـ:

- الفاء البطارية أو غمرها في الماء
- تسخينها أعلى من ١٠٠ درجة مئوية و(٢١٢ ° فهرنهايت)
- بتصليحها أو فكها

تخلص من البطارية طبقاً للقانون أو النظام المحلي .



تنبيه :

أثناء تركيب منتجات ليزر (مثل CD-ROMs أو وحدة تشغيل DVD أو أجهزة Fiber Optic أو وحدات الإرسال) يجب مراعاة الآتي:

لا تنزع الأغطية. قد ينتج عن نزع أغطية منتج الليزر انفجار أشعة الليزر شديدة الخطورة.  
لا يوجد أجزاء يمكن تغييرها داخل الجهاز. قد ينتج عن استخدام تحكيمات أو تعديلات أو عمل أي تصرفات أخرى تخالف ما هو محدد هنا إلى انفجار أشعة شديدة الخطورة.



خطر

تحتوي بعض منتجات الليزر على الفئة دايود ليزر مدمج من الفئة **Class 3A** أو **Class 3B**. يجب مراعاة الآتي .

أشعة الليزر عند الفتح. لا تحدد إلى الإشعاع و لا تنظر إليه مباشرة بواسطة أي أجهزة مرئية وتجنب التعرض المباشر للإشعاع .



≥18 kg (37 lbs)



≥32 kg (70.5 lbs)



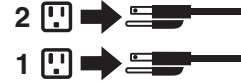
≥55 kg (121.2 lbs)



تنبيه :  
يجب استخدام ممارسات آمنة عند الرفع



تنبيهه :  
لا يقرم زر التحكم في التشغيل الموجود على الجهاز والمفتاح الكهربائي الموجود على لوحة التحكم بإيقاف التيار الكهربائي المار بالجهاز. قد يكون للجهاز أكثر من سلك كهربائي واحد. لايقاف التيار الكهربائي المار بالجهاز، تأكد من فصل جميع أسلاك الكهرباء من مصدر الكهرباء .





## PERIGO

A corrente elétrica proveniente de cabos de alimentação, de telefone e de comunicações é perigosa.

Para evitar risco de choque elétrico:

- Não conecte nem desconecte nenhum cabo ou execute instalação, manutenção ou reconfiguração deste produto durante uma tempestade com raios.
- Conecte todos os cabos de alimentação a tomadas elétricas corretamente instaladas e aterradas.
- Todo equipamento que for conectado a este produto deve ser conectado a tomadas corretamente instaladas.
- Quando possível, utilize apenas uma das mãos para conectar ou desconectar cabos de sinal.
- Nunca ligue nenhum equipamento quando houver evidência de fogo, água ou danos estruturais.
- Antes de abrir tampas de dispositivos, desconecte cabos de alimentação, sistemas de telecomunicação, redes e modems conectados, a menos que especificado de maneira diferente nos procedimentos de instalação e configuração.
- Conecte e desconecte os cabos conforme descrito na tabela apresentada a seguir ao instalar, mover ou abrir tampas deste produto ou de dispositivos conectados.

| Para Conectar:   | Para Desconectar:  |
|--|--|
| <ol style="list-style-type: none"><li>1. DESLIGUE Tudo.</li><li>2. Primeiramente, conecte todos os cabos aos dispositivos.</li><li>3. Conecte os cabos de sinal aos conectores.</li><li>4. Conecte os cabos de alimentação às tomadas.</li><li>5. LIGUE os dispositivos.</li></ol> | <ol style="list-style-type: none"><li>1. DESLIGUE Tudo.</li><li>2. Primeiramente, remova os cabos de alimentação das tomadas.</li><li>3. Remova os cabos de sinal dos conectores.</li><li>4. Remova todos os cabos dos dispositivos.</li></ol> |



#### **CUIDADO:**

Ao substituir a bateria de lítio, utilize apenas uma bateria com Número de Peça 33F8354 ou um tipo de bateria equivalente recomendado pelo Se o seu sistema possui um módulo com uma bateria de lítio, substitua-o apenas por um módulo do mesmo tipo e do mesmo fabricante. A bateria contém lítio e pode explodir se não for utilizada, manuseada ou descartada de maneira correta.

Não:

- Jogue ou coloque na água
- Aqueça a mais de 100°C (212°F)
- Conserte nem desmonte

Descarte a bateria conforme requerido pelas leis ou regulamentos locais.



#### **PRECAUCIÓN:**

Quando produtos a laser (como unidades de CD-ROMs, unidades de DVD-ROM, dispositivos de fibra ótica ou transmissores) estiverem instalados, observe o seguinte:

- Não remova as tampas. A remoção das tampas de um produto a laser pode resultar em exposição prejudicial à radiação de laser. Não existem peças que podem ser consertadas no interior do dispositivo.
- A utilização de controles ou ajustes ou a execução de procedimentos diferentes dos especificados aqui pode resultar em exposição prejudicial à radiação.

#### **PERIGO**

Alguns produtos a laser contêm diodo de laser integrado da Classe 3A ou da Classe 3B. Observe o seguinte:

Radiação a laser quando aberto. Não olhe diretamente para o feixe a olho nu ou com instrumentos ópticos e evite exposição direta ao feixe.



≥18 kg (37 lbs)



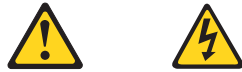
≥32 kg (70.5 lbs)



≥55 kg (121.2 lbs)

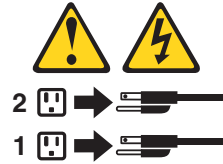
#### **CUIDADO:**

Utilize procedimentos de segurança para levantar equipamentos.



**CUIDADO:**

O botão de controle de alimentação do dispositivo e o botão para ligar/desligar da fonte de alimentação não desligam a corrente elétrica fornecida ao dispositivo. O dispositivo também pode ter mais de um cabo de alimentação. Para remover toda a corrente elétrica do dispositivo, assegure que todos os cabos de alimentação estejam desconectados da fonte de alimentação.





危险

电源、电话和通信电缆中的电流是危险的。

为避免电击危险：

- 请勿在雷电期间连接或断开任何电缆的连接，或者对本产品进行安装、维护或重新配置。
- 将所有电源线连接到正确连线和妥善接地的电源插座。
- 将所有要连接到该产品的设备连接到正确连线的插座。
- 如果可能，请仅使用一只手来连接或断开信号电缆的连接。
- 切勿在有火、水、结构损坏迹象的情况下开启任何设备。
- 在打开设备外盖之前请断开已连接的电源线、远程通信系统、网络和调制解调器，除非在安装和配置过程中另有说明。
- 当安装、移动或打开该产品或连接设备的外盖时，请按照下表所述来连接或断开电缆的连接。

| 要连接   | 要断开连接   |
|---|---|
| <ol style="list-style-type: none"> <li>1. 切断所有电源。</li> <li>2. 首先将所有电缆连接到设备。</li> <li>3. 将信号电缆连接到接口。</li> <li>4. 将电源线连接到插座。</li> <li>5. 开启设备。</li> </ol> | <ol style="list-style-type: none"> <li>1. 切断所有电源。</li> <li>2. 首先从插座上拔出电源线。</li> <li>3. 从接口上拔出信号电缆。</li> <li>4. 从设备上拔出所有电缆。</li> </ol> |



警告：

更换锂电池时，请仅使用部件号为 33F8354 的电池或制造商推荐的同类电池。如果您的系统有包含锂电池的模块，请仅使用同一制造商生产的相同模块类型来替换该模块。该电池中含有锂，如果使用、操作或处理不当，可能会发生爆炸。

切勿：

- 投入或浸入水中
- 加热到 100 °C (212 °F) 以上
- 维修或拆卸

请按照当地法令或条例的要求处理电池。





警告：  
安装激光产品（例如 CD-ROM、DVD-ROM 驱动器、光纤设备或发射设备）时，  
请注意以下声明：

- 请勿卸下外盖。卸下激光产品的外盖可能导致遭受激光辐射的危险。该设备内没有可维修的部件。
- 如果不按照此处指定的过程进行控制、调整或操作，则有可能导致遭受辐射的危险。



危险

某些激光产品包含嵌入式 3A 类或 3B 类激光二极管。请注意以下声明：

打开后有激光辐射。请勿注视光束，请勿直接用光学仪器查看，并请避免直接暴露在光束中。



≥18 千克 (37 磅)



≥32 千克 (70.5 磅)



≥55 千克 (121.2 磅)

警告：  
抬起时请采取安全措施。



警告：  
设备上的电源控制按钮和电源上的电源开关不会切断供给该设备的电流。该设备还可能有多条电源线。要切断该设备的所有电流，请确保所有电源线都与电源断开连接。





#### 危險

電源、電話及通訊纜線上的電流都具有危險性。

若要避免觸電危險：

- 請勿在雷雨期間，連接或拔除纜線、執行安裝、維護或重新配置本產品。
- 將所有電源線連接到正確配線及接地的電源插座。
- 任何與本產品連接的設備都必須連接到配線妥當的電源插座。
- 請盡可能用單手連接或拔除信號線。
- 發生火災、水災或結構損害時，絕對不要開啟任何設備。
- 除非在安裝及配置程序中另有指示，否則在開啟裝置機蓋之前，請拔掉連接的電源線、電信系統、網路及數據機。
- 安裝、移動或開啟本產品或附屬裝置的機蓋時，請遵循下列說明連接及拔掉纜線。

| 連線   | 切斷連線   |
|--|--|
| <ol style="list-style-type: none"> <li>1. 關閉所有開關。</li> <li>2. 首先，連接所有接線到裝置。</li> <li>3. 連接信號線到接頭。</li> <li>4. 連接電源線到插座。</li> <li>5. 開啟裝置。</li> </ol> | <ol style="list-style-type: none"> <li>1. 關閉所有開關。</li> <li>2. 首先，拔掉插座上的電源線。</li> <li>3. 拔掉接頭上的信號線。</li> <li>4. 拔掉裝置上所有接線。</li> </ol> |



#### 警告：

更換鋰電池時，請僅使用產品編號 **33F8354** 或製造商所建議的同類型電池。  
 如果您的系統中含有鋰電池模組，請僅使用同一家製造商所生產的相同模組進行更換。  
 如果未以正確方式使用、處理或棄置含鋰的電池，會有爆炸的危險。

請勿：

- 沾溼或浸入水中
  - 置於 **100C (212F)** 以上的高溫環境
  - 修理或拆開
- 請按照各地區有關廢棄電池的法令和規定處理舊電池。



#### 警告：

- 請勿移除機蓋。移除雷射產品的機蓋，可能會導致暴露在危險的雷射輻射中。裝置內部並無可自行維修的零件。
- 利用或執行非本文中所指定的控制、調整及執行程序，可能會導致危險的輻射外洩。



#### 危險

部分雷射產品含有內嵌式 **Class 3A** 或 **Class 3B** 雷射二極體。請注意下列事項：  
 在開啟光碟機時，會發生雷射輻射。請勿直視光束或用光學儀器直接檢視，並避免直接暴露在光束中。



≥ 18 公斤 (37 磅)



≥ 32 公斤 (70.5 磅)



≥ 55 公斤 (121.2 磅)

警告：  
搬運時請注意安全。



警告：  
裝置上的電源控制按鈕及電源供應器上的電源開關，無法關閉裝置所產生的電流。  
該裝置可能有多條電源線。若要除去裝置流出的所有電流，請確認已切斷所有電源線的電源。





## DANGER

Le courant électrique provenant de l'alimentation, du téléphone et des câbles de transmission peut présenter un danger.

Pour éviter tout risque de choc électrique :

- Ne manipulez aucun câble et n'effectuez aucune opération d'installation, d'entretien ou de reconfiguration de ce produit au cours d'un orage.
- Branchez tous les cordons d'alimentation sur un socle de prise de courant correctement câblé et mis à la terre.
- Branchez sur des socles de prise de courant correctement câblés tout équipement connecté à ce produit.
- Lorsque cela est possible, n'utilisez qu'une seule main pour connecter ou déconnecter les câbles d'interface.
- Ne mettez jamais un équipement sous tension en cas d'incendie ou d'inondation, ou en présence de dommages matériels.
- Avant de retirer les carters de l'unité, mettez celle-ci hors tension et déconnectez ses cordons d'alimentation, ainsi que les câbles qui la relient aux réseaux, aux systèmes de télécommunication et aux modems (sauf instruction contraire mentionnée dans les procédures d'installation et de configuration)
- Lorsque vous installez, que vous déplacez, ou que vous manipulez le présent produit ou des périphériques qui lui sont raccordés, reportez-vous aux instructions ci-dessous pour connecter et déconnecter les différents cordons.

| Connexion  | Déconnexion   |
|--|---|
| 1. Mettez les unités HORS TENSION.                         | 1. Mettez les unités HORS TENSION.                    |
| 2. Commencez par brancher tous les cordons sur les unités. | 2. Débranchez les cordons d'alimentation des prises.  |
| 3. Branchez les câbles d'interface sur des connecteurs.    | 3. Débranchez les câbles d'interface des connecteurs. |
| 4. Branchez les cordons d'alimentation sur des prises.     | 4. Débranchez tous les câbles des unités.             |
| 5. Mettez les unités SOUS TENSION.                         |   |



**ATTENTION:**

Remplacer la pile au lithium usagée par une pile de référence identique exclusivement, (référence 33F8354), ou suivre les instructions du fabricant qui en définit les équivalences. Si votre système est doté d'un module contenant une pile au lithium, vous devez le remplacer uniquement par un module identique, produit par le même fabricant. La pile contient du lithium et peut exploser en cas de mauvaise utilisation, de mauvaise manipulation ou de mise au rebut inappropriée.

Ne pas :

- la jeter à l'eau,
- l'exposer à des températures supérieures à 100°C,
- chercher à la réparer ou à la démonter.

Ne pas mettre la pile à la poubelle. Pour la mise au rebut, se reporter à la réglementation en vigueur.



**ATTENTION:**

Si des produits à laser (tels que des unités de CD-ROM, de DVD-ROM, des unités à fibres optiques, ou des émetteurs) sont installés, prenez connaissance des informations suivantes :

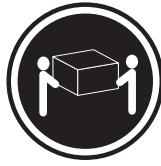
- Ne retirez pas le carter. En ouvrant l'unité de CD-ROM ou de DVD-ROM, vous vous exposez au rayonnement dangereux du laser. Aucune pièce de l'unité n'est réparable.
- Pour éviter tout risque d'exposition au rayon laser, respectez les consignes de réglage et d'utilisation des commandes, ainsi que les procédures décrites dans le présent manuel.



**DANGER**

Certains produits à laser contiennent une diode à laser intégrée de classe 3A ou 3B. Prenez connaissance des informations suivantes:

Rayonnement laser lorsque le carter est ouvert. Evitez toute exposition directe au rayon laser. Evitez de regarder fixement le faisceau ou de l'observer à l'aide d'instruments optiques.



≥18 kg (37 lbs)



≥32 kg (70.5 lbs)



≥55 kg (121.2 lbs)

**ATTENTION:**

Soulevez la machine avec précaution.



**ATTENTION:**

L'interrupteur de contrôle d'alimentation de l'unité et l'interrupteur dubloc d'alimentation ne coupent pas le courant électrique alimentant l'unité. En outre, le système peut être équipé de plusieurs cordons d'alimentation. Pour mettre l'unité hors tension, vous devez déconnecter tous les cordons de la source d'alimentation.





## VORSICHT

An Netz-, Telefon- und Datenleitungen können gefährliche Spannungen anliegen.

### Aus Sicherheitsgründen:

- Bei Gewitter an diesem Gerät keine Kabel anschließen oder lösen. Ferner keine Installations-, Wartungs- oder Rekonfigurationsarbeiten durchführen.
- Gerät nur an eine Schutzkontaktsteckdose mit ordnungsgemäß geerdetem Schutzkontakt anschließen.
- Alle angeschlossenen Geräte ebenfalls an Schutzkontaktsteckdosen mit ordnungsgemäß geerdetem Schutzkontakt anschließen.
- Die Signalkabel nach Möglichkeit einhändig anschließen oder lösen, um einen Stromschlag durch Berühren von Oberflächen mit unterschiedlichem elektrischem Potenzial zu vermeiden.
- Geräte niemals einschalten, wenn Hinweise auf Feuer, Wasser oder Gebäudeschäden vorliegen.
- Die Verbindung zu den angeschlossenen Netzkabeln, Telekommunikationssystemen, Netzwerken und Modems ist vor dem Öffnen des Gehäuses zu unterbrechen, sofern in den Installations- und Konfigurationsprozeduren keine anders lautenden Anweisungen enthalten sind.
- Zum Installieren, Transportieren und Öffnen der Abdeckungen des Computers oder der angeschlossenen Einheiten die Kabel gemäß der folgenden Tabelle anschließen und abziehen.

| Zum Anschließen der Kabel gehen Sie wie folgt vor  | Zum Abziehen der Kabel gehen Sie wie folgt vor   |
|--|--|
| <ol style="list-style-type: none"> <li>1. Schalten Sie alle Einheiten AUS.</li> <li>2. Schließen Sie erst alle Kabel an die Einheiten an.</li> <li>3. Schließen Sie die Signalkabel an die Buchsen an.</li> <li>4. Schließen Sie die Netzkabel an die Steckdose an.</li> <li>5. Schalten Sie die Einheit EIN.</li> </ol> | <ol style="list-style-type: none"> <li>1. Schalten Sie alle Einheiten AUS.</li> <li>2. Ziehen Sie zuerst alle Netzkabel aus den Netzsteckdosen.</li> <li>3. Ziehen Sie die Signalkabel aus den Buchsen.</li> <li>4. Ziehen Sie alle Kabel von den Einheiten ab.</li> </ol> |



#### **CAUTION:**

Eine verbrauchte Lithiumbatterie nur durch eine Batterie mit der Teilenummer 33F8354 oder eine gleichwertige, vom Hersteller empfohlene Batterie ersetzen. Enthält das System ein Modul mit einer Lithiumbatterie, dieses nur durch ein Modul desselben Typs und von demselben Hersteller ersetzen. Die Batterie enthält Lithium und kann bei unsachgemäßer Verwendung, Handhabung oder Entsorgung explodieren.

Die Batterie nicht:

- mit Wasser in Berührung bringen.
- über 100 C erhitzen.
- reparieren oder zerlegen.

Die örtlichen Bestimmungen für die Entsorgung von Sondermüll beachten.



#### **ACHTUNG:**

**Bei der Installation von Lasergeräten (wie CD-ROM-Laufwerken, DVD-aufwerken, Einheiten mit Lichtwellenleitertechnik oder Sendern) Folgendes beachten:**

- Die Abdeckungen nicht entfernen. Durch Entfernen der Abdeckungen des Lasergeräts können gefährliche Laserstrahlungen freigesetzt werden. Das Gerät enthält keine zu wartenden Teile.
- Werden Steuerelemente, Einstellungen oder Durchführungen von Prozeduren anders als hier angegeben verwendet, kann gefährliche Laserstrahlung auftreten.



#### **VORSICHT**

**Einige Lasergeräte enthalten eine Laserdiode der Klasse 3A oder 3B. Beachten Sie Folgendes:**

**Laserstrahlung bei geöffneter Verkleidung. Nicht in den Strahl blicken. Keine Lupen oder Spiegel verwenden. Strahlungsbereich meiden.**





≥18 kg



≥32 kg



≥55 kg

**ACHTUNG:**

Arbeitsschutzrichtlinien beim Anheben der Maschine beachten.



**ACHTUNG:**

Mit dem Netzschalter an der Einheit und am Netzteil wird die Stromversorgung für die Einheit nicht unterbrochen. Die Einheit kann auch mit mehreren Netzkabeln ausgestattet sein. Um die Stromversorgung für die Einheit vollständig zu unterbrechen, müssen alle zum Gerät führenden Netzkabel vom Netz getrennt werden.





#### סכנה

זרם חשמלי המועבר בכבלי חשמל, טלפון ותקשורת הוא מסוכן.

כדי להימנע מסכנת התחשמלות:

- אל תחברו או תנתקו כבלים, ואל תבצעו פעולת התקנה, תחזוקה או שינוי תצורה במוצר זה במהלך סופת ברקים.
- חברו את כל כבלי החשמל לשקע חשמל מחווט ומוארק כהלכה.
- חברו כל ציוד שיחובר למוצר זה לשקעי חשמל מחוטים כהלכה.
- במידת האפשר, השתמשו ביד אחת בלבד לחיבור או לניתוק של כבלי אותות.
- לעולם אל תפעילו ציוד כלשהו כאשר יש עדות לנזק מבני או לנזק כתוצאה מאש או ממים.
- נתקו את כבלי החשמל, מערכות התקשורת, התקני הרשת והמודמים המחוברים לפני פתיחת כיסויי ההתקן, אלא אם הליכי ההתקנה וקביעת התצורה מורים אחרת.
- בעת התקנה, העברה או פתיחת כיסויים במוצר זה או בהתקנים המחוברים, חברו ונתקו את הכבלים כמתואר בטבלה שלהלן.

| כדי לחבר                             | כדי לנתק                              |
|--------------------------------------|---------------------------------------|
| 1. כבו הכל.                          | 1. כבו הכל.                           |
| 2. ראשית, חברו את כל הכבלים להתקנים. | 2. ראשית, נתקו את כבלי החשמל מהשקעים. |
| 3. חברו את כבלי האותות למחברים.      | 3. נתקו את כבלי האותות מהמחברים.      |
| 4. חברו את כבלי החשמל לשקעים.        | 4. הסירו את כל הכבלים מההתקנים.       |
| 5. הפעילו את ההתקן.                  |                                       |



זהירות:

בעת החלפת סוללת הליתיום, השתמשו רק בסוללה בעלת מק"ט 33F8354 או בסוג תואם שהומלץ על ידי היצרן. אם המערכת כוללת מודול המכיל סוללת ליתיום, החליפו אותו רק במודול מאותו סוג ומתוצרת אותו יצרן. הסוללה מכילה ליתיום, ועלולה להתפוצץ אם לא משתמשים ומטפלים בה או משליכים אותה כראוי.

לעולם:

- אל תטבלו במים

- אל תחממו לטמפרטורה הגבוהה מ-100°C (212°F)

- אל תתקנו או תפרקו

השליכו את הסוללה כנדרש לפי התקנות והחוקים המקומיים.



זהירות:

בעת התקנת מוצרי לייזר (כגון כונני תקליטורים ו-DVD, התקני סיב אופטי או משדרים), שימו לב לאזהרות הבאות:

- אל תסירו את הכיסויים. הסרת הכיסויים של מוצר הלייזר עלולה לגרום לחשיפה לקרינת לייזר מסוכנת. אין חלקים ברי טיפול בתוך ההתקן.

- שינויים, שימוש בבקרות או ביצוע הליכים אחרים מאלה המתוארים כאן, עלולים לגרום לחשיפה לקרינה מסוכנת.



סכנה

מוצרי לייזר מסוימים מכילים דיודת לייזר מסוג Class 3A או Class 3B. שימו לב לאזהרה הבאה:

כאשר הוא פתוח, המוצר פולט קרינת לייזר. אל תביטו ישירות בקרן, אל תביטו ישירות בעזרת ציוד אופטי, והימנעו מחשיפה לקרן.



$\leq 18$  ק"ג (37 ליב')



$\leq 32$  ק"ג (70.5 ליב')

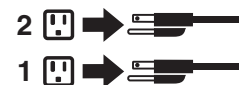


$\leq 55$  ק"ג (121.2 ליב')

זהירות:  
השתמשו בהליכים  
הנאותים בעת  
הרמת הציוד.



זהירות:  
לחצן ההפעלה של ההתקן ומתג ההפעלה של ספק החשמל אינם מפסיקים את זרם החשמל המסופק להתקן.  
בנוסף, ההתקן עשוי לכלול יותר מכבל חשמל אחד. כדי לסלק את כל הזרם החשמלי מההתקן,  
דאו שכל כבלי החשמל מנותקים ממקור החשמל.





## PERICOLO

La corrente elettrica proveniente dai cavi di alimentazione, del telefono e di comunicazione può essere pericolosa.

**Per evitare il rischio di scosse elettriche:**

- **Non collegare o scollegare qualsiasi cavo oppure effettuare l'installazione, la manutenzione o la riconfigurazione del prodotto durante un temporale.**
- **Collegare tutti i fili elettrici a una presa di alimentazione correttamente cablata e dotata di messa a terra.**
- **Collegare alle prese elettriche appropriate tutte le apparecchiature che verranno utilizzate per questo prodotto.**
- **Se possibile, utilizzare solo una mano per collegare o scollegare i cavi di segnale.**
- **Non accendere assolutamente apparecchiature in presenza di incendi, perdite d'acqua o danno strutturale.**
- **Scollegare i cavi di alimentazione, i sistemi di telecomunicazione, le reti e il modem prima di aprire i coperchi del dispositivo, salvo istruzioni contrarie relative alle procedure di installazione e configurazione.**
- **Collegare e scollegare i cavi come descritto nella seguente tabella quando vengono effettuate operazioni di installazione, spostamento o apertura dei coperchi di questo prodotto o delle unità collegate.**

| Per collegarsi                                      | Per scollegarsi   |
|---|---|
| 1. <b>SPEGNERE</b> le apparecchiature.              | 1. <b>SPEGNERE</b> le apparecchiature.                          |
| 2. Innanzitutto, collegare tutti i cavi alle unità. | 2. Innanzitutto, rimuovere i cavi di alimentazione dalla presa. |
| 3. Collegare i cavi di segnale ai connettori.       | 3. Rimuovere i cavi di segnale dai connettori.                  |
| 4. Collegare i cavi di alimentazione alla presa.    | 4. Rimuovere tutti i cavi dalle unità.                          |
| 5. Accendere l'unità.                               |   |



#### ATTENZIONE:

Quando si sostituisce la batteria al litio, utilizzare solo il Numero parte 33F8354 o un tipo di batteria equivalente consigliato dal produttore. Se sul sistema è presente un modulo che contiene una batteria al litio, sostituirlo solo con un tipo di modulo dello stesso tipo della stessa casa di produzione. La batteria contiene litio e può esplodere se usata, maneggiata o smaltita in modo non corretto.

*Non:*

- Gettare o immergere la batteria nell'acqua
- Riscaldarla ad una temperatura superiore ai 100 gradi C (212 gradi F)
- Smontarla, ricaricarla o tentare di ripararla

Le batterie usate vanno smaltite in accordo alla normativa in vigore (DPR 915/82 e successive disposizioni e disposizioni locali)



#### ATTENZIONE:

Quando vengono installati prodotti laser (quali CD-ROM, unità DVD-ROM, unità a fibre ottiche o trasmettenti), tener presente quanto segue:

- Non rimuovere gli sportelli. L'apertura di un'unità laser può determinare l'esposizione a radiazioni laser pericolose. All'interno dell'unità non vi sono parti su cui effettuare l'assistenza tecnica.
- L'utilizzo di controlli, regolazioni o l'esecuzione di procedure non descritti nel presente manuale possono provocare l'esposizione a radiazioni pericolose.



#### PERICOLO

Alcune unità laser contengono un diodo laser di Classe 3A o Classe 3B. Tener presente quanto segue:

Aperto l'unità vengono emesse radiazioni laser. Non fissare il fascio, non guardarlo direttamente con strumenti ottici ed evitare l'esposizione al fascio.



≥18 kg



≥32 kg



≥55 kg

**ATTENZIONE:**

**Prestare attenzione nel sollevare l'apparecchiatura.**



**ATTENZIONE:**

**Il pulsante di controllo dell'alimentazione presente sull'unità e l'interruttore dell'alimentatore non disattivano l'alimentazione corrente fornita all'unità. E' possibile che l'unità disponga di più cavi di alimentazione. Per disattivare l'alimentazione dall'unità, accertarsi che tutti i cavi di alimentazione siano scollegati dalla fonte di alimentazione.**





**위험**

전원, 전화, 통신 케이블의 전류는 위험합니다.

감전의 위험을 피하려면 다음과 같이 하십시오.

- 번개가 치는 날에는 케이블을 연결 또는 분리하거나 본 제품을 설치, 보수, 재구성하지 마십시오.
- 모든 전원 코드는 올바르게 접지된 전기 콘센트에 연결하십시오.
- 본 제품에 연결될 장치는 올바르게 배선된 콘센트에 연결하십시오.
- 신호 케이블을 연결 또는 분리할 때 가능하면 한 손만을 사용하십시오.
- 불 또는 물로 인한 손상이나 구조적인 손상이 있을 경우 장치의 전원을 절대 켜지 마십시오.
- 설치 및 구성 과정에 별도의 지시 사항이 없는 경우, 장치의 덮개를 열기 전에 연결된 전원 코드, 원격 통신 시스템, 네트워크, 모뎀을 분리하십시오.
- 본 제품이나 연결된 장치를 설치, 이동하거나 덮개를 열 때 다음 표와 같은 순서로 케이블을 연결하거나 분리하십시오.

| 연결할 때:  | 분리할 때:   |
|---|--|
| <ol style="list-style-type: none"> <li>1. 모든 장치의 전원을 끄십시오.</li> <li>2. 먼저 모든 케이블을 장치에 연결하십시오.</li> <li>3. 커넥터에 신호 케이블을 연결하십시오.</li> <li>4. 콘센트에 전원 코드를 연결하십시오.</li> <li>5. 장치의 전원을 켜십시오.</li> </ol> | <ol style="list-style-type: none"> <li>1. 모든 장치의 전원을 끄십시오.</li> <li>2. 먼저 콘센트에서 전원 코드를 분리하십시오.</li> <li>3. 커넥터에서 신호 케이블을 분리하십시오.</li> <li>4. 장치에서 모든 케이블을 분리하십시오.</li> </ol> |



**주의:**

배터리를 교환할 때는 Part Number 33F8354 또는 제조업체에서 지정한 동일한 종류의 제품을 사용하십시오. 사용자의 시스템이 리튬 배터리를 포함하는 모듈일 경우, 동일한 제조업체에서 동일한 모듈 유형으로 생산된 제품으로 교체하십시오. 배터리에는 리튬이 함유되어 있어 잘못 사용, 취급 또는 폐기할 경우 폭발의 위험이 있습니다.

사고를 방지하려면 다음 사항을 준수하십시오.

- 배터리를 물 속에 던지거나 침수시키지 마십시오.
- 100℃(212°F) 이상 가열하지 마십시오.
- 수리하거나 분해하지 마십시오.

배터리를 폐기할 때는 법령 또는 회사의 안전 수칙에 따라 폐기하십시오.





주의:

CD-ROM, DVD-ROM 장치, 광섬유 장치 또는 송신 장치와 같은 레이저 제품을 설치할 때, 다음과 같은 취급 주의사항을 참고하십시오.

- 덮개를 열지 마십시오. 덮개를 열면 레이저 복사 에너지에 노출될 위험이 있습니다. 장치 내부에는 사용자가 조정하거나 수리할 수 있는 부품이 없습니다.
- 규정된 것 이외의 절차 수행, 제어 조정 등의 행위로 인해 해로운 레이저 복사에 노출될 수 있습니다.



위험

일부 장비에는 임베디드 클래스 3A 또는 클래스 3B 레이저 다이오드가 있습니다. 다음 주의사항에 유의하십시오.

드라이브가 열리면 레이저 복사 에너지가 방출됩니다. 광선이 눈에 직접 쏘이지 않도록 하십시오. 나안 또는 광학 기구를 착용한 상태에서 광선을 직접 바라보지 않도록 하십시오.



≥ 18 kg (37 lbs)



≥ 32 kg (70.5 lbs)



≥ 55 kg (121.2 lbs)

주의:

제품을 들어 올릴 때  
안전 규제를 따르십시오.



주의:

장치의 전원 제어 버튼 및 전원 공급 장치의 전원 스위치를 사용하여 장치에 공급되는 전기를 차단하지 마십시오. 장치는 둘 이상의 코드를 가지고 있을 수 있습니다. 장치에서 모든 전원을 차단하려면 콘센트에서 코드가 모두 분리되어 있는지 확인하십시오.





## PELIGRO

La corriente eléctrica procedente de cables de alimentación, teléfonos y cables de comunicación puede ser peligrosa.

Para evitar el riesgo de descarga eléctrica:

- No conecte ni desconecte los cables ni realice ninguna tarea de instalación, mantenimiento o reconfiguración de este producto durante una tormenta eléctrica.
- Conecte todos los cables de alimentación a tomas de corriente debidamente cableadas y conectadas a tierra.
- Cualquier equipo que se conecte a este producto también debe conectarse a tomas de corriente debidamente cableadas.
- Siempre que sea posible, utilice una sola mano para conectar o desconectar los cables de señal.
- No encienda nunca un equipo cuando hay señales de fuego, agua o daños estructurales.
- Desconecte los cables de alimentación, los sistemas de telecomunicaciones, las redes y los módems conectados antes de abrir las cubiertas de los dispositivos, a menos que se indique lo contrario en los procedimientos de instalación y configuración.
- Conecte y desconecte los cables, como se describe en la tabla siguiente, cuando instale, mueva o abra las cubiertas de este producto o de los dispositivos conectados.

| Para conectar   | Para desconectar  |
|---|---|
| <ol style="list-style-type: none"><li>1. APÁGUELO todo.</li><li>2. En primer lugar, conecte todos los cables a los dispositivos.</li><li>3. Conecte los cables de señal a los conectores.</li><li>4. Enchufe los cables de alimentación a las tomas de corriente.</li><li>5. Encienda el dispositivo.</li></ol> | <ol style="list-style-type: none"><li>1. APÁGUELO todo.</li><li>2. En primer lugar, desenchufe los cables de alimentación de las tomas de corriente.</li><li>3. Desconecte los cables de señal de los conectores.</li><li>4. Desconecte todos los cables de los dispositivos.</li></ol> |



#### PRECAUCIÓN:

Cuando sustituya una batería de litio, utilice solamente una batería número de pieza 33F8354 u otra de tipo equivalente recomendada por el fabricante. Si su sistema dispone de un módulo que contiene una batería de litio, reemplácelo sólo con el mismo tipo de módulo, del mismo fabricante. La batería contiene litio y puede explotar si no se utiliza, manipula o desecha correctamente.

*No debe:*

- Arrojarla al agua o sumergirla en ella
- Exponerla a temperaturas superiores a 100°C (212°F)
- Repararla o desmontarla

Deshágase de la batería según especifiquen las leyes o normas locales.



#### PRECAUCIÓN:

Cuando haya productos láser (como unidades de CD-ROM, unidades de DVD, dispositivos de fibra óptica o transmisores) instalados, tenga en cuenta lo siguiente:

- No quite las cubiertas. Si quita las cubiertas del producto láser, podría quedar expuesto a radiación láser peligrosa. Dentro del dispositivo no existe ninguna pieza que requiera servicio técnico.
- Si usa controles o ajustes o realiza procedimientos que no sean los especificados aquí, podría exponerse a radiaciones peligrosas.



#### PELIGRO

Algunos productos láser tienen incorporado un diodo láser de clase 3A o clase 3B. Tenga en cuenta lo siguiente:

Cuando se abre, queda expuesto a radiación láser. No mire directamente al rayo láser, ni siquiera con instrumentos ópticos, y evite exponerse directamente al rayo láser.



≥18 kg



≥32 kg



≥55 kg

**PRECAUCIÓN:**

Adopte procedimientos seguros al levantar el equipo.



**PRECAUCIÓN:**

El botón de control de alimentación del dispositivo y el interruptor de alimentación de la fuente de alimentación no desconectan la corriente eléctrica suministrada al dispositivo. Además, el dispositivo podría tener más de un cable de alimentación. Para suprimir toda la corriente eléctrica del dispositivo, asegúrese de que todos los cables de alimentación estén desconectados de la toma de corriente.



---

## Chapter 3. General information

This chapter provides general information that applies to all machine types supported by this publication.

---

### The ThinkVantage™ Productivity Center program

Use the ThinkVantage Productivity Center program for general information about the use, operation, and maintenance of the computer. The ThinkVantage Productivity Center program also contains information to help solve problems and get repair service or other technical assistance. The ThinkVantage Productivity Center program is preinstalled on most ThinkCentre products.

---

### Additional information resources

If you have Internet access, the most up-to-date information for your computer is available from the World Wide Web.

You can find the following information:

- FRU and CRU removal and installation instructions
- Publications
- Troubleshooting information
- Parts information
- Downloads and drivers
- Links to other useful sources of information

To access this information, point your browser to <http://www.lenovo.com/think/support/>.

---

### Physical specifications

This section details the physical specifications for each computer Type.

# Types 8009, 8791, 8795, 8799, 8803, 8807, and 8812

This section lists the physical specifications.

## Dimensions

Width: 276 mm (10.9 in.)

Height: 89 mm (3.5 in.)

Depth: 273 mm (10.7 in.)

## Weight

Minimum configuration as shipped: 6.3 kg (13.4 lbs)

Maximum configuration: 6.4 kg (14.1 lbs)

## Environment

Air temperature:

Operating at 0 - 3000 ft (914.4 m): 10° to 35°C (50° to 95°F)

Operating at 3000 ft - 7000 ft (2134 m): 10° to 32°C (50° to 89.6°F)

Non-operating: 10° to 43°C (50° to 110°F)

Humidity:

Operating: 8% to 80%

Non-operating: 8% to 80%

Transit: 8% to 90%

Maximum altitude: 7000 ft (2133.6 m)

## Electrical input

Input voltage:

Low range:

Minimum: 100 V ac

Maximum: 127 V ac

Input frequency: 50/60 Hz

Voltage switch setting: 115 V ac

High range:

Minimum: 200 V ac

Maximum: 240V ac

Input frequency: 50/60 Hz

Voltage switch setting: 230 V ac

Input kilovolt-amperes (kVA) (approximate):

Minimum configuration as shipped: 0.09 kVA

Maximum configuration: 0.23 kVA

# Types 8010, 8792, 8796, 8800, 8804, 8808, 8813, and 9168

This section lists the physical specifications.

## Dimensions

Width: 310 mm (12.2 in.)

Height: 85 mm (3.35 in.)

Depth: 358 mm (14.1 in.)

## Weight

Minimum configuration as shipped: 7.3 kg (16 lbs)

Maximum configuration: 8.5 kg (18.7 lbs)

## Environment

Air temperature:

Operating at 0 - 3000 ft (914.4 m): 10° to 35°C (50° to 95°F)

Operating at 3000 ft - 7000 ft (2134 m): 10° to 32°C (50° to 89.6°F)

Non-operating: 10° to 43°C (50° to 110°F)

Humidity:

Operating: 8% to 80%

Non-operating: 8% to 80%

Transit: 8% to 90%

Maximum altitude: 7000 ft (2133.6 m)

## Electrical input

Input voltage:

Low range:

Minimum: 100 V ac

Maximum: 127 V ac

Input frequency: 50/60 Hz

Voltage switch setting: 115 V ac

High range:

Minimum: 200 V ac

Maximum: 240V ac

Input frequency: 50/60 Hz

Voltage switch setting: 230 V ac

Input kilovolt-amperes (kVA) (approximate):

Minimum configuration as shipped: 0.10 kVA

Maximum configuration: 0.24 kVA

## Types 8011, 8793 8797, 8801, 8805, 8810, 8814, and 9166

This section lists the physical specifications.

### Dimensions

Width: 350 mm (13.8 in.)

Height: 107.9 mm (4.2 in.)

Depth: 385 mm (15.2 in.)

### Weight

Minimum configuration as shipped: 8.4 kg (18.5 lbs)

Maximum configuration: 10.0 kg (22.0 lbs)

### Environment

Air temperature:

Operating at 0 - 3000 ft (914.4 m): 10° to 35°C (50° to 95°F)

Operating at 3000 ft - 7000 ft (2134 m): 10° to 32°C (50° to 89.6°F)

Non-operating: 10° to 43°C (50° to 110°F)

Humidity:

Operating: 8% to 80%

Non-operating: 8% to 80%

Transit: 8% to 90%

Maximum altitude: 7000 ft (2133.6 m)

### Electrical input

Input voltage:

Low range:

Minimum: 100 V ac

Maximum: 127 V ac

Input frequency: 50/60 Hz

Voltage switch setting: 115 V ac

High range:

Minimum: 200 V ac

Maximum: 240V ac

Input frequency: 50/60 Hz

Voltage switch setting: 230 V ac

Input kilovolt-amperes (kVA) (approximate):

Minimum configuration as shipped: 0.09 kVA

Maximum configuration: 0.38 kVA



## Types 8012, 8794, 8798, 8802, 8806, 8811, 8816, and 9167

This section lists the physical specifications.

### Dimensions

Height: 432 mm (17.0 in.)

Width: 178 mm (7.0 in.)

Depth: 450 mm (17.7 in.)

### Weight

Minimum configuration: 10.5 kg (23 lb)

Maximum configuration: 13.5 kg (30 lb)

### Environment

Air temperature:

System on: 10° to 35°C (50° to 95° F)

System off: 10° to 60°C (50° to 140° F)

Maximum altitude: 914 m (3000 ft)

**Note:** The maximum altitude, 914 m (3000 ft), is the maximum altitude at which the specified air temperatures apply. At higher altitudes, the maximum air temperatures are lower than those specified.

Humidity:

System on: 10% to 80%

System off: 10% to 90%

### Electrical input

Input voltage:

Low range:

Minimum: 100 V ac

Maximum: 127 V ac

Input frequency: 50/60 Hz

Voltage switch setting: 115 V ac

High range:

Minimum: 200 V ac

Maximum: 240 V ac

Input frequency: 50/60 Hz

Voltage switch setting: 230 V ac

Input kilovolt-amperes (kVA) (approximate):

Minimum configuration as shipped: 0.08 kVA

Maximum configuration: 0.32 kVA

**Note:** Power consumption and heat output vary depending on the number and type of optional features installed and the power-management optional features in use.



---

## Chapter 4. General Checkout

### Attention

The drives in the computer you are servicing might have been rearranged or the drive startup sequence changed. Be extremely careful during write operations such as copying, saving, or formatting. Data or programs can be overwritten if you select an incorrect drive.

General error messages appear if a problem or conflict is found by an application program, the operating system, or both. For an explanation of these messages, refer to the information supplied with that software package.

### Notes:

- The default is for this computer to boot up in quiet mode (no beep, no memory count and checkpoint code display) when no errors are detected by POST.
- To enable beep, memory count, and checkpoint code display when a successful POST occurs, do the following:
  1. Start the Setup Utility program. See “Starting the Setup Utility program” on page 57.
  2. Select **Start Options**.
  3. Set **Power-On Self-Test** to **Enhanced**.
- Before replacing any FRUs, ensure that the latest level of BIOS is installed on the system. A down-level BIOS might cause false errors and unnecessary replacement of the system board. For more information on how to determine and obtain the latest level BIOS, see “BIOS levels” on page 375.

Use the following procedure to help determine the cause of the problem:

1. Power-off the computer and all external devices.
2. Check all cables and power cords.
3. Set all display controls to the middle position.
4. Power-on all external devices.
5. Power-on the computer.
  - Look for displayed error codes
  - Listen for beep codes
  - Look for readable instructions or a main menu on the display.If you **did not** receive the correct response, proceed to step 6.  
If you **do** receive the correct response, proceed to step 8 on page 46.
6. Look at the following conditions and follow the instructions:
  - If you hear beep codes during POST, go to “Beep symptoms” on page 84.
  - If the computer displays a POST error, go to “POST error codes” on page 87.
  - If the computer hangs and no error is displayed, continue at step 7.
7. There are three LEDs to help you determine if the power supply and system board are working correctly. A power button LED is located on the front of the computer and two diagnostic LEDs are located on the power supply at the rear of the computer.
  - a. Disconnect the power cord from the electrical outlet.
  - b. Reconnect the power cord to a working electrical outlet.
  - c. Press the power button.

d. Observe the LEDs and refer to the following table.

| Power LED                                     | Green diagnostic LED | Yellow diagnostic LED | Action  |
|---|----------------------|-----------------------|---|
| ON  | ON                   | OFF                   | This is the normal condition of the LEDs when the power is OK.  |
| OFF   | OFF                  | OFF                   | Make sure the power cord is attached to a working electrical outlet.<br><br>If the electrical outlet is OK, replace the power supply. |
| OFF (after the power button has been pressed) | ON                   | OFF                   | Replace the system board  |
| ON  | ON                   | ON                    | Replace the power supply  |

If the Diagnostic LEDs are in the normal condition and the problem persists, replace the system board and the microprocessor, one at a time, until the computer works correctly.

8. Run the Diagnostic programs. See Chapter 5, "Diagnostics," on page 49.
  - If you receive an error, replace the part that the diagnostic program calls out or go to "Diagnostic error codes" on page 63.
  - If the test stops and you cannot continue, replace the last device tested.

---

## Problem determination tips

Due to the variety of hardware and software combinations that can be encountered, use the following information to assist you in problem determination. If possible, have this information available when requesting assistance from Service Support and Engineering functions.

- Machine type and model
- Processor or hard disk upgrades
- Failure symptom
  - Do diagnostics indicate a failure?
  - What, when, where, single, or multiple systems?
  - Is the failure repeatable?
  - Has this configuration ever worked?
  - If it has been working, what changes were made prior to it failing?
  - Is this the original reported failure?
- Diagnostics version
  - Type and version level
- Hardware configuration
  - Print (print screen) configuration currently in use
  - BIOS level
- Operating system software
  - Type and version level

**Note:** To eliminate confusion, identical systems are considered identical only if they:

1. Are the exact machine type and models

2. Have the same BIOS level
3. Have the same adapters/attachments in the same locations
4. Have the same address jumpers/terminators/cabling
5. Have the same software versions and levels
6. Have the same Diagnostics Diskette (version)
7. Have the same configuration options set in the system
8. Have the same setup for the operation system control files

Comparing the configuration and software set-up between "working and non-working" systems will often lead to problem resolution.



---

## Chapter 5. Diagnostics

Diagnostic programs are used to test hardware components of the computer and report operating-system-controlled settings that can cause hardware failures. There are two diagnostic programs preinstalled on the computer to help diagnose problems:

- PC-Doctor for Windows (used when diagnosing problems while running the Windows operating system)
- PC-Doctor for DOS or PC-Doctor for Windows PE, depending upon your machine type and model (used when your Windows operating system will not start)

### Notes:

1. You can download the latest version of the PC-Doctor for Windows and PC-Doctor for DOS diagnostic programs from <http://www.lenovo.com/support/>. Type your machine type into the **Use Quick Path** field and click **Go** to find the downloadable files that are specific to the computer.
2. Log files are created when you run PC-Doctor for Windows and depending upon your machine type and model, PC-Doctor for DOS or PC-Doctor for Windows PE. Save and print the log files created by both diagnostic programs. The log file created by PC-Doctor for Windows is automatically saved in C:\PCDR\DETAILED.TXT.

---

### PC-Doctor for Windows

PC-Doctor for Windows is a diagnostic program that works through the Windows operating system. The PC-Doctor for Windows diagnostic program enables you to view symptoms and solutions for computer problems, access the Lenovo troubleshooting center, update system drivers, and review system information.

To run PC-Doctor for Windows, open the Start menu from the Windows desktop, select **All Programs**, select **PC-Doctor for Windows**, and click **PC-Doctor for Windows**. Follow the instructions on the screen. For additional information about running the diagnostic program, refer to the PC-Doctor for Windows help system.

If you still suspect a problem after PC-Doctor for Windows runs successfully, run PC-Doctor for DOS or PC-Doctor for Windows PE to help you diagnose the computer problem.

---

### PC-Doctor for DOS

Depending upon your machine type and model, you either have PC-Doctor for DOS or PC-Doctor for Windows PE on each Lenovo computer. The PC-Doctor for DOS diagnostic program is part of the Rescue and Recovery workspace and runs independently of the Windows operating system. Use PC-Doctor for DOS, if you are unable to start the Windows operating system or if PC-Doctor for Windows has not been successful in isolating a possible problem. You can run PC-Doctor for DOS from a diagnostic CD image or diagnostic diskettes that have been created. You can also run PC-Doctor for DOS from the Rescue and Recovery workspace.

**Note:** It is important to create a diagnostic CD image or diagnostic diskettes in case PC-Doctor for DOS cannot be run from the Rescue and Recovery workspace.

## Creating a diagnostic CD image

To create a diagnostic CD image, download a self-starting bootable CD image (known as an .iso image) of the diagnostic program from <http://www.lenovo.com/support/>. After you download the image, you can create the CD using any CD burning software.

If the computer does not have a CD burner or you do not have Internet access, see "Creating diagnostic diskettes."

## Creating diagnostic diskettes

To create diagnostic diskettes, download the PC-Doctor for DOS diagnostic program from <http://www.lenovo.com/support/> onto two blank, formatted diskettes.

If you do not have Internet access, create the diagnostic diskettes using the following procedure:

**Note:** You will need a diskette drive on the computer or a USB diskette drive to complete this procedure.

1. Shut down the operating system and turn off the computer.
2. If you are using a USB diskette drive, plug it into the computer.
3. Repeatedly press and release the F11 key as you turn on the computer.
4. When you hear beeps or see a logo screen, stop pressing the F11 key. The Rescue and Recovery workspace opens.

**Note:** For some models, press the Esc key to enter Rescue and Recovery.

5. From the Rescue and Recovery workspace, select **Create diagnostic disks**.
6. Follow the instructions on the screen.
7. When prompted, insert a blank, formatted diskette into the diskette drive and continue to follow the instructions on the screen.
8. When the operation is complete, remove the diskette and click **Quit**.
9. Insert another blank, formatted diskette into the diskette drive and continue to follow the instructions on the screen.
10. When the operation is complete, remove the diskette and click **Quit**.

## Running diagnostics from the CD or diskettes

1. If you are running diagnostics from diskettes using a USB diskette drive, plug in the USB drive.

**Note:** The optical drive or diskette drive must be selected in the startup sequence. See "Selecting a startup device" on page 58 for instructions on how to select the startup device.

2. Insert the CD or diskette.
3. Restart the computer.
4. When the diagnostics program opens, follow the instructions on the screen.



**Note:** If you are running diagnostics from a diskette, when prompted, remove the first diskette and insert the second diskette.

5. Select the diagnostic test you want to run. Press the F1 key for additional help.
6. Remove the CD or diskette when the program finishes.

## Running diagnostics from the Rescue and Recovery workspace

If you do not have a diagnostic CD image or diagnostic diskette, you can run the PC-Doctor for DOS diagnostic program from the Rescue and Recovery workspace. To run diagnostics from the Rescue and Recovery workspace, use the following procedure:

1. Shut down the operating system and turn off the computer.
2. Repeatedly press and release the F11 key as you turn on the computer.
3. When you hear beeps or see a logo screen, stop pressing the F11 key. The Rescue and Recovery workspace opens.

**Note:** For some models, press the Esc key to enter Rescue and Recovery.

4. From the Rescue and Recovery workspace, select **Diagnose hardware**.
5. Follow the prompts on the screen. The computer will reboot.
6. When the computer restarts, the diagnostic program opens automatically. Select the diagnostic test you want to run. Press the F1 key for additional help.

---

## PC-Doctor for Windows PE

Depending upon your machine type and model, you either have PC-Doctor for DOS or PC-Doctor for Windows PE on each Lenovo computer. The PC-Doctor for Windows PE diagnostic program is part of the Rescue and Recovery workspace. Use PC-Doctor for Windows PE, if you are unable to start the Windows operating system or if PC-Doctor for Windows has not been successful in isolating a possible problem.

## Running diagnostics from the Rescue and Recovery workspace

You can run the PC-Doctor for Windows PE diagnostic program from the Rescue and Recovery workspace. To run diagnostics from the Rescue and Recovery workspace, use the following procedure:

1. Shut down the operating system and turn off the computer.
2. Repeatedly press and release the F11 key as you turn on the computer.
3. When you hear beeps or see a logo screen, stop pressing the F11 key. The Rescue and Recovery workspace opens.
4. From the Rescue and Recovery workspace, select **Diagnose hardware**.
5. The diagnostic program opens automatically. Select the diagnostic test you want to run. Press the F1 key for additional help.
6. Follow the instructions on the screen.

**Note:** Rescue media includes PC-Doctor for Windows PE. For more information about rescue media, see the *User Guide* for the computer.

---

## Navigating through the diagnostics programs

Use the cursor movement keys to navigate within the menus.

- The **Enter** key is used to select a menu item.
- The **Esc** key is used to back up to the previous menu.
- For online help select **F1**.

---

## Running tests

There are four ways to run the diagnostic tests.

- Using the cursor movement keys, highlight **Run Normal Test** or **Run Quick Test** from the Diagnostics menu and then press **Enter**.

This automatically runs a pre-defined group of tests from each test category.

**Run Normal Test** runs a more extensive set of tests than does **Run Quick Test** and takes longer to complete.

- Press **F5** to automatically run all selected tests in all categories.
- From within a test category, press **Ctrl-Enter** to automatically run only the selected tests in that category.
- Using the cursor movement keys, highlight a single test within a test category, and then press **Enter**. This runs only that test.

Press **Esc** at any time to stop the testing process.

Test results (N/A, PASSED, FAILED, ABORTED) are displayed in the field beside the test description and in the test log. See “Viewing the test log” on page 55.

To select one or more tests, use the following procedure.

1. Open the corresponding test category.
2. Using the cursor movement keys, highlight the desired test.
3. Press the space bar.

A selected test is marked by >>. Pressing the space bar again de-selects a test and removes the >>.

4. Repeat steps 2 and 3 above to select all desired tests.

## Test results

Diagnostics test results produce the following error code format:

| Function Code | Failure Type | DeviceID | Date | ChkDigits | Text |
|---------------|--------------|----------|------|-----------|------|
|---------------|--------------|----------|------|-----------|------|

- **Function Code:**  
Represents the feature or function within the PC.
- **Failure Type:**  
Represents the type of error encountered.
- **DeviceID:**  
Contains the component’s unit-ID which corresponds to either a fixed disk drive, removable media drive, serial or parallel port, processor, specific RIMM, or a device on the PCI bus.
- **Date:**

Contains the date when the diagnostic test was run. The date is retrieved from CMOS and displayed using the YYYYMMDD format.

- **ChkDigits:**

Contains a 2-digit check-digit value to ensure the following:

- Diagnostics were run on the specified date.
- Diagnostics were run on the specified computer.
- The diagnostic error code is recorded correctly.

- **Text:**

Description of the error.

**Note:** See “Diagnostic error codes” on page 63 for error code listings.

## Fixed disk advanced test (FDAT)

PC-Doctor Fixed-Disk<sup>1</sup> Advanced Test module (FDAT) is a full-featured highly configurable fixed-disk test suite. The configurable capabilities of FDAT allow users to enable or disable specific tests, enable or disable testing features, control the test log detail, alter testing parameters, and so on. FDAT tests for and reports most commonly found errors on a fixed-disk drive and is able to test up to 128 SCSI and 4 IDE drives (up to 132 total drives).

Drive information is gathered through FDAT’s enumeration of available devices and user specific configuration parameters located in the FDAT.INI. FDAT uses information supplied by these features to indicate specifically what devices are available for test, what tests are available for the device, device properties, and so on. To change testing parameters, you modify the FDAT.INI file in PC Doctor for DOS.

FDAT consists of the following subtests and features.

### Fixed-Disk Tests:

- *Seek Tests:* - checks the physical operation of the drive head.
  - Linear Seek
  - Random Seek
  - Min-Max Seek
  - Butterfly Seek
- *Verify Tests:* - checks the integrity of the data present on the media.
  - Linear Verify
  - Random Verify
- *Surface Scan Tests:* - checks the drive media for defects.
  - Surface Scan (Linear)
  - Surface Scan (Aggressive) - this is disabled for normal customer use.
  - Surface Scan (Random)
- Self-monitoring, Analysis and Reporting Technology (SMART) - checks the SMART functionality for drives that support SMART.
  - Start SMART Self-Test

### Other Test Features:

---

1. The terms fixed disk and hard disk are used interchangeably.

- *Write-Splice Repair* - detects and corrects Error Correction Code errors during Verify tests.
- *Auto Spin Down* - a gradual spin down of the drive platters to avoid damaging the media.
- *Manufacturer Log* - an in-depth manufacturer supported log of errors on the drive.

### **Multitasking:**

To allow simultaneous testing of multiple hard drives whenever possible, the FDAT module is written as a set of multitasking functions. Each drive under test can run the same test or run a different test at the same time. Each subtest is written to handle a single test pass and all test variables are kept track of in a structure unique for each drive.

However, when testing IDE drives, FDAT will not perform simultaneous testing of IDE drives that are attached to the same IDE cable. For example, if FDAT is testing four IDE drives on a PC, it will perform simultaneous testing on drives 1 and 3 first (master drives), then perform tests on 2 and 4 (slave drives). FDAT will also perform simultaneous testing on a master and slave that are on separate IDE cables, but will not perform simultaneous tests on a master and slave on the same IDE cable. This generally increases the amount of time needed to test multiple IDE drives.

Another limitation of FDAT'S multitasking capability is the use of Ultra DMA (UDMA). Only one drive at a time can access the UDMA channel and the UDMA channel buffer must be kept high in order to maintain a speed advantage over other data transfer modes. In order to use the UDMA channel during testing, users must disable the multitasking feature.

### **Destructive versus non-destructive testing:**

Most of the tests found in FDAT are non-destructive. This means that PC-Doctor program will preserve any data that is present on the tested media prior to beginning any destructive operations (such as write operations). However, users can run certain tests in destructive mode (i.e. surface scan tests). Destructive tests will speed up testing because FDAT does not preserve the data on the media prior to the test beginning. Unlike non-destructive tests, any data present on the media prior to the test beginning is lost.

FDAT allows for enabling or disabling destructive tests, as well as specifying a range of destructive and non-destructive sectors on the tested drive. This is done through the configuration of the FDAT.INI. If destructive and non-destructive ranges somehow overlap, then the overlapped area is considered non-destructive. For example, if users specify both destructive and non-destructive ranges as the same, then the entire drive is tested as non-destructive.

## **Quick and Full erase - hard drive**

The diagnostics program offers two hard drive format utilities:

- Quick Erase Hard Drive
- Full Erase Hard Drive

The Quick Erase Hard Drive provides a DOS utility that performs the following:

- Destroys the Master Boot Record (MBR) on the hard drive.

- Destroys all copies of the FAT Table on all partitions (both the master and backup).
- Destroys the partition table.
- Provides messages that warn the user that this is a non-recoverable process.

The Full Erase Hard Drive provides a DOS utility that performs the following:

- Performs all the steps in Quick Erase.
- Provides a DOS utility that writes random data to all sectors of the hard drive.
- Provides an estimate of time to completion along with a visual representation of completion status.
- Provides messages that warn the user about non-recoverable process.

|  |
|--|
| <b>Important:</b> Make sure that all data is backed up before using the Quick or Full Erase functions. |
|--|

To select the Quick Erase or Full Erase Hard Drive utility, use the following procedure:

1. Select the UTILITY option on the toolbar and press **Enter**.
2. Select either the QUICK ERASE or FULL ERASE HARD DISK option and follow the instructions.

---

## Viewing the test log

Errors reported by the diagnostic test will be displayed by the program as a failed test.

To view details of a failure or to view a list of test results, use the following procedure from any test category screen:

1. Press **F3** to activate the log file.
2. Press **F3** again to save the file to diskette or press **F2** to print the file.



---

## Chapter 6. Using the Setup Utility

The Setup Utility program is stored in the electrically erasable programmable read-only memory (EEPROM) of the computer. The Setup Utility program is used to view and change the configuration settings of the computer, regardless of which operating system you are using. However, the operating-system settings might override any similar settings in the Setup Utility program.

---

### Starting the Setup Utility program

To start the Setup Utility program, do the following:

1. If your computer is already on when you start this procedure, shut down the operating system and turn off the computer.
2. Repeatedly press the F1 key as you turn on the computer.

**Notes:**

- a. If a password has been set, the Setup Utility program menu is not displayed until you type your password. See “Using passwords” for more information.
- b. BIOS settings cannot be changed without the correct password.
- c. The Setup Utility might start automatically when the power-on self-test (POST) detects that hardware has been removed or new hardware has been installed in your computer.

---

### Viewing and changing settings

The Setup Utility program menu lists items that identify system configuration topics.

When working with the Setup Utility program menu, you must use the keyboard. The keys used to perform various tasks are displayed at the bottom of each screen.

---

### Exiting from the Setup Utility program

When you finish viewing or changing settings, press Esc to return to the Setup Utility program menu (you might have to press Esc several times) If you want to save the new settings, press F10.

---

### Using passwords

By using the Setup Utility program, you can set passwords to prevent unauthorized persons from gaining access to your computer and data. The types of passwords used are:

- User Password
- Administrator Password

You do not have to set any passwords to use your computer. However, if you decide to set any passwords, read the following sections.

## User Password

When a User Password is set, the user is prompted to type a valid password each time the computer is turned on. The computer cannot be used until a valid password is typed from the keyboard.

## Administrator Password

Setting an Administrator Password deters unauthorized persons from changing configuration settings. If you are responsible for maintaining the settings of several computers, you might want to set an Administrator Password.

After you set an Administrator Password, a password prompt is displayed each time you try to access the Setup Utility program.

If both the user and administrator passwords are set, you can type either password. However, to change any configuration settings, you must use your administrator password.

## Setting, changing, and deleting a password

To set, change, or delete a password, do the following:

**Note:** A password can be any combination of up to seven characters (A- Z, a-z, and 0-9)

1. Start the Setup Utility program (see “Starting the Setup Utility program” on page 57)
2. From the Setup Utility program menu, select **Security**.
3. Select **Set Passwords**. Read the information displayed on the right side of the screen.

---

## Selecting a startup device

If the computer does not start up (boot) from a device such as the CD-ROM, diskette, or hard disk as expected, use one of the following procedures to select a startup device.

### Selecting a temporary startup device

Use this procedure to startup from any boot device.

**Note:** Not all CDs, hard disks, and diskettes are startable (bootable)

1. If your computer is already on when you start this procedure, shut down the operating system and turn off the computer.
2. To open the Startup Device Menu, repeatedly press the F12 key as you turn on the computer.

**Note:** Selecting a startup device from this list does not permanently change the startup sequence; it is valid for one boot cycle only.

### Changing the startup device sequence

To view or permanently change the configured startup device sequence, do the following:

1. Start the Setup Utility program (see “Starting the Setup Utility program” on page 57)
2. Select **Startup**.



3. Select **Startup Sequence**. See the information displayed on the right side of the screen.
4. Select the devices for the Primary Startup Sequence, the Automatic Startup Sequence, and the Error Startup Sequence.
5. Select **Exit** from the Setup Utility menu and then **Save Settings** or **Save and exit the Setup Utility**.

If you have changed these settings and want to return to the default settings, select **Load Default Settings** on the Exit menu.

---

## Advanced settings

On some computer models the Advanced settings menu includes a setting to Enable/Disable HyperThreading. This feature works only with HyperThreading-aware operating systems such as Microsoft® Windows® XP. The default setting for HyperThreading is Enabled. However, if you select **Set Defaults** and are using an operating system other than Windows XP, the computer performance might be degraded. Therefore, you should always set HyperThreading to Disabled unless you are sure your operating system supports HyperThreading.



---

## Chapter 7. Symptom-to-FRU Index

The Symptom-to-FRU index lists error symptoms and possible causes. The most likely cause is listed first. Always begin with Chapter 4, "General Checkout," on page 45. This index can also be used to help you decide which FRUs to have available when servicing a computer. If you are unable to correct the problem using this index, go to "Undetermined problems" on page 92.

**Notes:**

- If you have both an error message and an incorrect audio response, diagnose the error message first.
- If you cannot run the diagnostic tests or you get a diagnostic error code when running a test, but did receive a POST error message, diagnose the POST error message first.
- If you did not receive any error message, look for a description of your error symptoms in the first part of this index.
- Check the hard disk drive jumper settings before you replace a hard disk drive.

---

### Hard disk drive boot error

A hard disk drive boot error (error codes 1962 and I999030X) can have the following causes.

| Error  | FRU/Action   |
|--|--|
| The start-up drive is not in the boot sequence in configuration. | Check the configuration and ensure the start-up drive is in the boot sequence.   |
| No operating system installed on the boot drive.                 | Install an operating system on the boot drive.   |
| The boot sector on the start-up drive is corrupted.              | The drive must be formatted, do the following: <ol style="list-style-type: none"><li>1. Attempt to back-up the data on the failing hard disk drive.</li><li>2. Using the operating systems programs, format the hard disk drive.</li></ol> |
| The drive is defective.  | Replace the hard disk drive.   |

---

### Power Supply Errors

If you suspect a power problem, use the following procedures.

| Check/Verify   | FRU/Action        |
|--|-------------------|
| Check the following for proper installation. <ul style="list-style-type: none"><li>• Power Cord</li><li>• On/Off Switch connector</li><li>• On/Off Switch Power Supply connector</li><li>• System Board Power Supply connectors</li><li>• Microprocessor(s) connection</li></ul> | Reseat connectors |
| Check the power cord for continuity.   | Power Cord        |
| Check the power-on switch for continuity.  | Power-on Switch   |

1. Turn off the computer and disconnect all external devices.
2. Power-on the computer.
3. There are three LEDs to help you determine if the power supply and system board are working correctly. The power button LED is located on the front of the computer and the two diagnostic LEDs are located on the power supply at the rear of the computer. After pressing the power button, observe the LEDs and refer to the following table:

| Power LED                                     | Green diagnostic LED | Yellow diagnostic LED | Action   |
|---|----------------------|-----------------------|--|
| ON  | ON                   | OFF                   | This is the normal condition of the LEDs when the power is OK.   |
| OFF   | OFF                  | OFF                   | <ul style="list-style-type: none"> <li>• Make sure the power cord is attached to a working electrical outlet.</li> <li>• Check the power cord for continuity.</li> <li>• If the problem persists, replace the power supply.</li> </ul> |
| OFF (after the power button has been pressed) | ON                   | OFF                   | Replace the system board   |
| ON  | ON                   | ON                    | Replace the power supply   |

If the Diagnostic LEDs are in the normal condition and the problem persists, replace the system board and the microprocessor, one at a time, until the computer works correctly.

## Diagnostic error codes

Refer to the following diagnostic error codes when using the diagnostic tests. See “Running tests” on page 52 for the specific type for information about the Diagnostic programs.

In the following index, X can represent any number.

| Diagnostic Error Code                                | FRU/Action  |
|--|---|
| <b>000-000-XXX</b><br>BIOS Test Passed               | <b>No action</b>  |
| <b>000-002-XXX</b><br>BIOS Timeout                   | <ol style="list-style-type: none"><li>1. <b>Flash the system. See “Flash update procedures” on page 375</b></li><li>2. System board</li></ol>   |
| <b>000-024-XXX</b><br>BIOS Addressing test failure   | <ol style="list-style-type: none"><li>1. <b>Flash the system. See “Flash update procedures” on page 375</b></li><li>2. System board</li></ol>   |
| <b>000-025-XXX</b><br>BIOS Checksum Value error      | <ol style="list-style-type: none"><li>1. <b>Flash the system. See “Flash update procedures” on page 375</b></li><li>2. Boot block</li><li>3. System board</li></ol>                                   |
| <b>000-026-XXX</b><br>FLASH data error               | <ol style="list-style-type: none"><li>1. <b>Flash the system. See “Flash update procedures” on page 375</b></li><li>2. Boot block</li><li>3. System board</li></ol>                                   |
| <b>000-027-XXX</b><br>BIOS Configuration/Setup error | <ol style="list-style-type: none"><li>1. <b>Run Setup</b></li><li>2. Flash the system. See “Flash update procedures” on page 375</li><li>3. Boot block</li><li>4. System board</li></ol>              |
| <b>000-034-XXX</b><br>BIOS Buffer Allocation failure | <ol style="list-style-type: none"><li>1. <b>Reboot the system</b></li><li>2. Flash the system. See “Flash update procedures” on page 375</li><li>3. Run memory test</li><li>4. System board</li></ol> |
| <b>000-035-XXX</b><br>BIOS Reset Condition detected  | <ol style="list-style-type: none"><li>1. <b>Flash the system. See “Flash update procedures” on page 375</b></li><li>2. System board</li></ol>   |
| <b>000-036-XXX</b><br>BIOS Register error            | <ol style="list-style-type: none"><li>1. <b>Flash the system. See “Flash update procedures” on page 375</b></li><li>2. Boot block</li><li>3. System board</li></ol>                                   |
| <b>000-038-XXX</b><br>BIOS Extension failure         | <ol style="list-style-type: none"><li>1. <b>Flash the system. See “Flash update procedures” on page 375</b></li><li>2. Adapter card</li><li>3. System board</li></ol>                                 |

| Diagnostic Error Code  | FRU/Action   |
|--|--|
| <b>000-039-XXX</b><br>BIOS DMI data error                      | <ol style="list-style-type: none"> <li>1. Flash the system. See “Flash update procedures” on page 375</li> <li>2. System board</li> </ol>  |
| <b>000-195-XXX</b><br>BIOS Test aborted by user                | <b>Information only</b><br>Re-start the test, if necessary   |
| <b>000-196-XXX</b><br>BIOS test halt, error threshold exceeded | <ol style="list-style-type: none"> <li>1. Press F3 to review the log file</li> <li>2. Re-start the test to reset the log file</li> </ol>   |
| <b>000-197-XXX</b><br>BIOS test warning                        | <ol style="list-style-type: none"> <li>1. Make sure the component that is called out is connected and/or enabled. See Chapter 6, “Using the Setup Utility,” on page 57</li> <li>2. Re-run test</li> <li>3. Replace the component that is called out in warning statement</li> <li>4. Replace the component under test</li> </ol> |
| <b>000-198-XXX</b><br>BIOS test aborted                        | <ol style="list-style-type: none"> <li>1. Make sure the component that is called out is connected and/or enabled. See Chapter 6, “Using the Setup Utility,” on page 57</li> <li>2. Flash the system and retest. See “Flash update procedures” on page 375</li> <li>3. Go to “Undetermined problems” on page 92</li> </ol>        |
| <b>000-199-XXX</b><br>BIOS test failed, cause unknown          | <ol style="list-style-type: none"> <li>1. Go to “Undetermined problems” on page 92</li> <li>2. Flash the system and re-test</li> <li>3. Replace component under function test</li> </ol>   |
| <b>000-250-XXX</b><br>BIOS APM failure                         | <ol style="list-style-type: none"> <li>1. Flash the system. See “Flash update procedures” on page 375</li> <li>2. System board</li> </ol>  |
| <b>000-270-XXX</b><br>BIOS ACPI failure                        | <ol style="list-style-type: none"> <li>1. Flash the system. See “Flash update procedures” on page 375</li> <li>2. System board</li> </ol>  |
| <b>001-000-XXX</b><br>System Test Passed                       | <b>No action</b>   |
| <b>001-00X-XXX</b><br>System Error                             | <b>System board</b>  |
| <b>001-01X-XXX</b><br>System Error                             | <b>System board</b>  |
| <b>001-024-XXX</b><br>System Addressing test failure           | <b>System board</b>  |
| <b>001-025-XXX</b><br>System Checksum Value error              | <ol style="list-style-type: none"> <li>1. Flash the system. See “Flash update procedures” on page 375</li> <li>2. System board</li> </ol>  |
| <b>001-026-XXX</b><br>System FLASH data error                  | <ol style="list-style-type: none"> <li>1. Flash the system. See “Flash update procedures” on page 375</li> <li>2. System board</li> </ol>  |

| Diagnostic Error Code  | FRU/Action  |
|--|---|
| <b>001-027-XXX</b><br>System Configuration/Setup error           | <ol style="list-style-type: none"> <li>1. <b>Run Setup</b></li> <li>2. Flash the system. See “Flash update procedures” on page 375</li> <li>3. System board</li> </ol>  |
| <b>001-032-XXX</b><br>System Device Controller failure           | <b>System board</b>   |
| <b>001-034-XXX</b><br>System Device Buffer Allocation failure    | <ol style="list-style-type: none"> <li>1. <b>Reboot the system</b></li> <li>2. Flash the system. See “Flash update procedures” on page 375</li> <li>3. Run memory test</li> <li>4. System board</li> </ol>  |
| <b>001-035-XXX</b><br>System Device Reset condition detected     | <b>System board</b>   |
| <b>001-036-XXX</b><br>System Register error                      | <b>System board</b>   |
| <b>001-038-XXX</b><br>System Extension failure                   | <ol style="list-style-type: none"> <li>1. <b>Adapter card</b></li> <li>2. System board</li> </ol>   |
| <b>001-039-XXX</b><br>System DMI data structure error            | <ol style="list-style-type: none"> <li>1. <b>Flash the system. See “Flash update procedures” on page 375</b></li> <li>2. System board</li> </ol>  |
| <b>001-040-XXX</b><br>System IRQ failure                         | <ol style="list-style-type: none"> <li>1. <b>Power-off/on system and re-test</b></li> <li>2. System board</li> </ol>  |
| <b>001-041-XXX</b><br>System DMA failure                         | <ol style="list-style-type: none"> <li>1. <b>Power-off/on system and re-test</b></li> <li>2. System board</li> </ol>  |
| <b>001-195-XXX</b><br>System Test aborted by user                | <b>Information only</b><br>Re-start the test, if necessary  |
| <b>001-196-XXX</b><br>System test halt, error threshold exceeded | <ol style="list-style-type: none"> <li>1. <b>Press F3 to review the log file</b></li> <li>2. Re-start the test to reset the log file</li> </ol>   |
| <b>001-197-XXX</b><br>System test warning                        | <ol style="list-style-type: none"> <li>1. <b>Make sure the component that is called out is connected and/or enabled. See Chapter 6, “Using the Setup Utility,” on page 57</b></li> <li>2. Re-run test</li> <li>3. Replace the component that is called out in warning statement</li> <li>4. Replace the component under test</li> </ol> |
| <b>001-198-XXX</b><br>System test aborted                        | <ol style="list-style-type: none"> <li>1. <b>If a component is called out, make sure it is connected and/or enabled. See Chapter 6, “Using the Setup Utility,” on page 57</b></li> <li>2. Flash the system and retest. See “Flash update procedures” on page 375</li> <li>3. Go to “Undetermined problems” on page 92</li> </ol>        |

| <b>Diagnostic Error Code</b>   | <b>FRU/Action</b>  |
|--|--|
| <b>001-199-XXX</b><br>System test failed, cause unknown  | <ol style="list-style-type: none"> <li>1. Go to “Undetermined problems” on page 92</li> <li>2. Flash the system and re-test</li> <li>3. Replace component under function test</li> </ol> |
| <b>001-250-XXX</b><br>System ECC error   | <b>System board</b>  |
| <b>001-254-XXX</b><br><b>001-255-XXX</b><br><b>001-256-XXX</b><br><b>001-257-XXX</b><br>System DMA error | <b>System board</b>  |
| <b>001-260-XXX</b><br><b>001-264-XXX</b><br>System IRQ error   | <b>System board</b>  |
| <b>001-268-XXX</b><br>System IRQ1 failure  | <ol style="list-style-type: none"> <li>1. <b>Device on IRQ1</b></li> <li>2. System board</li> </ol>  |
| <b>001-269-XXX</b><br>System IRQ2 failure  | <ol style="list-style-type: none"> <li>1. <b>Device on IRQ2</b></li> <li>2. System board</li> </ol>  |
| <b>001-270-XXX</b><br>System IRQ3 failure  | <ol style="list-style-type: none"> <li>1. <b>Device on IRQ3</b></li> <li>2. System board</li> </ol>  |
| <b>001-271-XXX</b><br>System IRQ4 failure  | <ol style="list-style-type: none"> <li>1. <b>Device on IRQ4</b></li> <li>2. System board</li> </ol>  |
| <b>001-272-XXX</b><br>System IRQ5 failure  | <ol style="list-style-type: none"> <li>1. <b>Device on IRQ5</b></li> <li>2. System board</li> </ol>  |
| <b>001-273-XXX</b><br>System IRQ6<br>(diskette drive) failure  | <ol style="list-style-type: none"> <li>1. <b>Diskette Cable</b></li> <li>2. Diskette drive</li> <li>3. System board</li> </ol>   |
| <b>001-274-XXX</b><br>System IRQ7 failure  | <ol style="list-style-type: none"> <li>1. <b>Device on IRQ7</b></li> <li>2. System board</li> </ol>  |
| <b>001-275-XXX</b><br>System IRQ8 failure  | <ol style="list-style-type: none"> <li>1. <b>Device on IRQ8</b></li> <li>2. System board</li> </ol>  |
| <b>001-276-XXX</b><br>System IRQ9 failure  | <ol style="list-style-type: none"> <li>1. <b>Device on IRQ9</b></li> <li>2. System board</li> </ol>  |
| <b>001-277-XXX</b><br>System IRQ10 failure   | <ol style="list-style-type: none"> <li>1. <b>Device on IRQ10</b></li> <li>2. System board</li> </ol>   |
| <b>001-278-XXX</b><br>System IRQ11 failure   | <ol style="list-style-type: none"> <li>1. <b>Device on IRQ11</b></li> <li>2. System board</li> </ol>   |
| <b>001-279-XXX</b><br>System IRQ12 failure   | <ol style="list-style-type: none"> <li>1. <b>Device on IRQ12</b></li> <li>2. System board</li> </ol>   |
| <b>001-280-XXX</b><br>System IRQ13 failure   | <ol style="list-style-type: none"> <li>1. <b>Device on IRQ13</b></li> <li>2. System board</li> </ol>   |



| <b>Diagnostic Error Code</b>   | <b>FRU/Action</b>  |
|--|--|
| <b>001-281-XXX</b><br>System IRQ14<br>(hard disk drive) failure  | <ol style="list-style-type: none"> <li>1. <b>Hard disk drive cable</b></li> <li>2. Hard disk drive</li> <li>3. System board</li> </ol>                               |
| <b>001-282-XXX</b><br>System IRQ15 failure   | <ol style="list-style-type: none"> <li>1. <b>Device on IRQ15</b></li> <li>2. System board</li> </ol>   |
| <b>001-286-XXX</b><br><b>001-287-XXX</b><br><b>001-288-XXX</b><br>System Timer failure                       | <b>System board</b>  |
| <b>001-292-XXX</b><br>System CMOS<br>RAM error   | <ol style="list-style-type: none"> <li>1. <b>Run Setup and re-test</b></li> <li>2. System board</li> </ol>   |
| <b>001-293-XXX</b><br>System CMOS Battery  | <ol style="list-style-type: none"> <li>1. <b>Battery</b></li> <li>2. System board</li> </ol>   |
| <b>001-298-XXX</b><br>System RTC date/time update failure  | <ol style="list-style-type: none"> <li>1. <b>Flash the system. See “Flash update procedures” on page 375</b></li> <li>2. System board</li> </ol>                     |
| <b>001-299-XXX</b><br>System RTC periodic interrupt failure  | <b>System board</b>  |
| <b>001-300-XXX</b><br>System RTC Alarm failure   | <b>System board</b>  |
| <b>001-301-XXX</b><br>System RTC Century byte error  | <ol style="list-style-type: none"> <li>1. <b>Flash the system. See “Flash update procedures” on page 375</b></li> <li>2. System board</li> </ol>                     |
| <b>005-000-XXX</b><br>Video Test Passed  | <b>No action</b>   |
| <b>005-00X-XXX</b><br>Video error  | <ol style="list-style-type: none"> <li>1. <b>Video card, if installed</b></li> <li>2. System board</li> </ol>  |
| <b>005-010-XXX</b><br><b>005-011-XXX</b><br><b>005-012-XXX</b><br><b>005-013-XXX</b><br>Video Signal failure | <ol style="list-style-type: none"> <li>1. <b>Video card, if installed</b></li> <li>2. System board</li> </ol>  |
| <b>005-016-XXX</b><br>Video Simple Pattern<br>test failure   | <ol style="list-style-type: none"> <li>1. <b>Video Ram</b></li> <li>2. Video card, if installed</li> <li>3. System board</li> </ol>                                  |
| <b>005-024-XXX</b><br>Video Addressing test failure  | <ol style="list-style-type: none"> <li>1. <b>Video card, if installed</b></li> <li>2. System board</li> </ol>  |
| <b>005-025-XXX</b><br>Video Checksum Value error   | <ol style="list-style-type: none"> <li>1. <b>Video card, if installed</b></li> <li>2. System board</li> </ol>  |
| <b>005-027-XXX</b><br>Video Configuration/Setup error  | <ol style="list-style-type: none"> <li>1. <b>Run Setup</b></li> <li>2. Video drivers update</li> <li>3. Video card, if installed</li> <li>4. System board</li> </ol> |

| Diagnostic Error Code                                    | FRU/Action  |
|--|---|
| 005-031-XXX<br>Video Device Cable failure                | <ol style="list-style-type: none"> <li>1. <b>Video cable</b></li> <li>2. Monitor</li> <li>3. Video card, if installed</li> <li>4. System board</li> </ol>   |
| 005-032-XXX<br>Video Device Controller failure           | <ol style="list-style-type: none"> <li>1. <b>Video card, if installed</b></li> <li>2. System board</li> </ol>   |
| 005-036-XXX<br>Video Register error                      | <ol style="list-style-type: none"> <li>1. <b>Video card, if installed</b></li> <li>2. System board</li> </ol>   |
| 005-038-XXX<br>System BIOS extension failure             | <ol style="list-style-type: none"> <li>1. <b>Video card, if installed</b></li> <li>2. System board</li> </ol>   |
| 005-040-XXX<br>Video IRQ failure                         | <ol style="list-style-type: none"> <li>1. <b>Video card, if installed</b></li> <li>2. System board</li> </ol>   |
| 005-195-XXX<br>Video Test aborted by user                | <p><b>Information only</b><br/>Re-start the test, if necessary</p>  |
| 005-196-XXX<br>Video test halt, error threshold exceeded | <ol style="list-style-type: none"> <li>1. <b>Press F3 to review the log file</b></li> <li>2. Re-start the test to reset the log file</li> </ol>   |
| 005-197-XXX<br>Video test warning                        | <ol style="list-style-type: none"> <li>1. <b>Make sure the component that is called out is connected and/or enabled. See Chapter 6, "Using the Setup Utility," on page 57</b></li> <li>2. Re-run test</li> <li>3. Replace the component called out in warning statement</li> <li>4. Replace the component under test</li> </ol>   |
| 005-198-XXX<br>Video test aborted                        | <ol style="list-style-type: none"> <li>1. <b>If a component is called out, make sure it is connected and/or enabled. See Chapter 6, "Using the Setup Utility," on page 57</b></li> <li>2. Flash the system and re-test. See "Flash update procedures" on page 375</li> <li>3. Go to "Undetermined problems" on page 92</li> </ol> |
| 005-199-XXX<br>Video test failed, cause unknown          | <ol style="list-style-type: none"> <li>1. Go to "Undetermined problems" on page 92</li> <li>2. Flash the system and re-test. See "Flash update procedures" on page 375</li> <li>3. Replace component under function test</li> </ol>   |
| 005-2XX-XXX<br>005-3XX-XXX<br>Video subsystem error      | <ol style="list-style-type: none"> <li>1. <b>Video card, if installed</b></li> <li>2. System board</li> </ol>   |
| 006-000-XXX<br>Diskette interface Test Passed            | <b>No action</b>  |
| 006-0XX-XXX<br>Diskette interface error                  | <ol style="list-style-type: none"> <li>1. <b>Diskette drive Cable</b></li> <li>2. Diskette drive</li> <li>3. System board</li> </ol>  |

| <b>Diagnostic Error Code</b>   | <b>FRU/Action</b>   |
|--|---|
| <b>006-195-XXX</b><br>Diskette interface Test aborted by user                                | <b>Information only</b><br>Re-start the test, if necessary  |
| <b>006-196-XXX</b><br>Diskette interface test halt, error threshold exceeded                 | <ol style="list-style-type: none"> <li>1. <b>Press F3 to review the log file</b></li> <li>2. Re-start the test to reset the log file</li> </ol>   |
| <b>006-197-XXX</b><br>Diskette interface test warning  | <ol style="list-style-type: none"> <li>1. <b>If a component is called out, make sure it is connected and/or enabled</b></li> <li>2. Re-run test</li> <li>3. Replace the component that is called out in warning statement</li> <li>4. Replace the component under test</li> </ol> |
| <b>006-198-XXX</b><br>Diskette interface test aborted  | <ol style="list-style-type: none"> <li>1. <b>If a component is called out, make sure it is connected and/or enabled</b></li> <li>2. Flash the system and re-test. See "Flash update procedures" on page 375</li> <li>3. Go to "Undetermined problems" on page 92</li> </ol>       |
| <b>006-199-XXX</b><br>Diskette interface test failed, cause unknown                          | <ol style="list-style-type: none"> <li>1. Go to "Undetermined problems" on page 92</li> <li>2. Flash the system and re-test</li> <li>3. Replace component under function test</li> </ol>  |
| <b>006-25X-XXX</b><br>Diskette interface Error   | <ol style="list-style-type: none"> <li>1. <b>Diskette drive cable</b></li> <li>2. Diskette drive</li> <li>3. System board</li> </ol>  |
| <b>011-000-XXX</b><br>Serial port Interface Test Passed                                      | <b>No action</b>  |
| <b>011-001-XXX</b><br>Serial port Presence   | <ol style="list-style-type: none"> <li>1. <b>Remove external serial device, if present</b></li> <li>2. Run setup, enable port</li> <li>3. System board</li> </ol>   |
| <b>011-002-XXX</b><br><b>011-003-XXX</b><br>Serial port Timeout/Parity error                 | <b>System board</b>   |
| <b>011-013-XXX</b><br><b>011-014-XXX</b><br>Serial port Control Signal/Loopback test failure | <b>System board</b>   |
| <b>011-015-XXX</b><br>Serial port External Loopback failure                                  | <ol style="list-style-type: none"> <li>1. <b>Wrap plug</b></li> <li>2. System board</li> </ol>  |
| <b>011-027-XXX</b><br>Serial port Configuration/Setup error                                  | <ol style="list-style-type: none"> <li>1. <b>Run Setup, enable port</b></li> <li>2. Flash the system. See "Flash update procedures" on page 375</li> <li>3. System board</li> </ol>   |
| <b>011-03X-XXX</b><br><b>011-04X-XXX</b><br>Serial port failure                              | <b>System board</b>   |

| Diagnostic Error Code  | FRU/Action  |
|--|---|
| <b>011-195-XXX</b><br>Serial port Test aborted by user   | <b>Information only</b><br>Re-start the test, if necessary  |
| <b>011-196-XXX</b><br>Serial port test halt, error threshold exceeded                          | <ol style="list-style-type: none"> <li>1. <b>Press F3 to review the log file</b></li> <li>2. Re-start the test to reset the log file</li> </ol>   |
| <b>011-197-XXX</b><br>Serial port test warning   | <ol style="list-style-type: none"> <li>1. <b>Make sure the component that is called out is connected and/or enabled. See Chapter 6, "Using the Setup Utility," on page 57</b></li> <li>2. Re-run test</li> <li>3. Replace the component that is called out in warning statement</li> <li>4. Replace the component under test</li> </ol> |
| <b>011-198-XXX</b><br>Serial port test aborted   | <ol style="list-style-type: none"> <li>1. <b>If a component is called out, make sure it is connected and/or enabled. See Chapter 6, "Using the Setup Utility," on page 57</b></li> <li>2. Flash the system and re-test. See "Flash update procedures" on page 375</li> <li>3. Go to "Undetermined problems" on page 92</li> </ol>       |
| <b>011-199-XXX</b><br>Serial port test failed, cause unknown                                   | <ol style="list-style-type: none"> <li>1. Go to "Undetermined problems" on page 92</li> <li>2. Flash the system and re-test. See "Flash update procedures" on page 375</li> <li>3. Replace component under function test</li> </ol>   |
| <b>011-2XX-XXX</b><br>Serial port signal failure   | <ol style="list-style-type: none"> <li>1. <b>External serial device</b></li> <li>2. System board</li> </ol>   |
| <b>014-000-XXX</b><br>Parallel port Interface Test Passed                                      | <b>No action</b>  |
| <b>014-001-XXX</b><br>Parallel port Presence   | <ol style="list-style-type: none"> <li>1. <b>Remove external parallel device, if present</b></li> <li>2. Run setup, enable port</li> <li>3. System board</li> </ol>   |
| <b>014-002-XXX</b><br><b>014-003-XXX</b><br>Parallel port Timeout/Parity error                 | <b>System board</b>   |
| <b>014-013-XXX</b><br><b>014-014-XXX</b><br>Parallel port Control Signal/Loopback test failure | <b>System board</b>   |
| <b>014-015-XXX</b><br>Parallel port External Loopback failure                                  | <ol style="list-style-type: none"> <li>1. <b>Wrap plug</b></li> <li>2. System board</li> </ol>  |
| <b>014-027-XXX</b><br>Parallel port Configuration/Setup error                                  | <ol style="list-style-type: none"> <li>1. <b>Run Setup, enable port</b></li> <li>2. Flash the system. See "Flash update procedures" on page 375</li> <li>3. System board</li> </ol>   |

| Diagnostic Error Code  | FRU/Action   |
|--|--|
| 014-03X-XXX<br>014-04X-XXX<br>Parallel port failure              | System board   |
| 014-195-XXX<br>Parallel port Test aborted by user                | Information only<br>Re-start the test, if necessary  |
| 014-196-XXX<br>Parallel port test halt, error threshold exceeded | <ol style="list-style-type: none"> <li>1. Press F3 to review the log file</li> <li>2. Re-start the test to reset the log file</li> </ol>   |
| 014-197-XXX<br>Parallel port test warning                        | <ol style="list-style-type: none"> <li>1. Make sure the component that is called out is connected and/or enabled. See Chapter 6, "Using the Setup Utility," on page 57</li> <li>2. Re-run test</li> <li>3. Replace the component that is called out in warning statement</li> <li>4. Replace the component under test</li> </ol> |
| 014-198-XXX<br>Parallel port test aborted                        | <ol style="list-style-type: none"> <li>1. If a component is called out, make sure it is connected and/or enabled</li> <li>2. Flash the system and re-test. See "Flash update procedures" on page 375</li> <li>3. Go to "Undetermined problems" on page 92</li> </ol>   |
| 014-199-XXX<br>Parallel port test failed, cause unknown          | <ol style="list-style-type: none"> <li>1. Go to "Undetermined problems" on page 92</li> <li>2. Flash the system and re-test. See "Flash update procedures" on page 375</li> <li>3. Replace component under function test</li> </ol>  |
| 014-2XX-XXX<br>014-3XX-XXX<br>Parallel port failure              | <ol style="list-style-type: none"> <li>1. External parallel device</li> <li>2. System board</li> </ol>   |
| 015-000-XXX<br>USB port Interface Test Passed                    | No action  |
| 015-001-XXX<br>USB port Presence                                 | <ol style="list-style-type: none"> <li>1. Remove USB device(s) and re-test</li> <li>2. System board</li> </ol>   |
| 015-002-XXX<br>USB port Timeout                                  | <ol style="list-style-type: none"> <li>1. Remove USB device(s) and re-test</li> <li>2. System board</li> </ol>   |
| 015-015-XXX<br>USB port External Loopback failure                | <ol style="list-style-type: none"> <li>1. Remove USB device(s) and re-test</li> <li>2. System board</li> </ol>   |
| 015-027-XXX<br>USB port Configuration/Setup error                | <ol style="list-style-type: none"> <li>1. Flash the system. See "Flash update procedures" on page 375</li> <li>2. System board</li> </ol>  |
| 015-032-XXX<br>USB port Device Controller failure                | System board   |

| Diagnostic Error Code  | FRU/Action  |
|--|---|
| <b>015-034-XXX</b><br>USB port buffer allocation failure           | <ol style="list-style-type: none"> <li>1. <b>Reboot the system</b></li> <li>2. Flash the system and re-test. See "Flash update procedures" on page 375</li> <li>3. Run memory test</li> <li>4. System board</li> </ol>  |
| <b>015-035-XXX</b><br>USB port Reset condition detected            | <ol style="list-style-type: none"> <li>1. <b>Remove USB device(s) and re-test</b></li> <li>2. System board</li> </ol>   |
| <b>015-036-XXX</b><br>USB port Register error                      | <b>System board</b>   |
| <b>015-040-XXX</b><br>USB port IRQ failure                         | <ol style="list-style-type: none"> <li>1. <b>Run setup and check for conflicts</b></li> <li>2. Flash the system. See "Flash update procedures" on page 375</li> <li>3. System board</li> </ol>  |
| <b>015-195-XXX</b><br>USB port Test aborted by user                | <b>Information only</b><br>Re-start the test, if necessary  |
| <b>015-196-XXX</b><br>USB port test halt, error threshold exceeded | <ol style="list-style-type: none"> <li>1. <b>Press F3 to review the log file</b></li> <li>2. Re-start the test to reset the log file</li> </ol>   |
| <b>015-197-XXX</b><br>USB port test warning                        | <ol style="list-style-type: none"> <li>1. <b>Make sure the component that is called out is connected and/or enabled. See Chapter 6, "Using the Setup Utility," on page 57</b></li> <li>2. Re-run test</li> <li>3. Replace the component that is called out in warning statement</li> <li>4. Replace the component under test</li> </ol> |
| <b>015-198-XXX</b><br>USB port test aborted                        | <ol style="list-style-type: none"> <li>1. <b>If a component is called out, make sure it is connected and/or enabled. See Chapter 6, "Using the Setup Utility," on page 57</b></li> <li>2. Flash the system and re-test. See "Flash update procedures" on page 375</li> <li>3. Go to "Undetermined problems" on page 92</li> </ol>       |
| <b>015-199-XXX</b><br>USB port test failed, cause unknown          | <ol style="list-style-type: none"> <li>1. Go to "Undetermined problems" on page 92</li> <li>2. Flash the system and re-test. See "Flash update procedures" on page 375</li> <li>3. Replace component under function test</li> </ol>   |
| <b>018-000-XXX</b><br>PCI Card Test Passed                         | <b>No action</b>  |
| <b>018-0XX-XXX</b><br>PCI Card Failure                             | <ol style="list-style-type: none"> <li>1. <b>Riser card, if installed</b></li> <li>2. System board</li> </ol>   |
| <b>018-195-XXX</b><br>PCI Card Test aborted by user                | <ol style="list-style-type: none"> <li>1. <b>PCI card</b></li> <li>2. <b>Information only</b><br/>Re-start the test, if necessary</li> </ol>  |

| Diagnostic Error Code  | FRU/Action   |
|--|--|
| <b>018-196-XXX</b><br>PCI Card test halt, error threshold exceeded | <ol style="list-style-type: none"> <li>1. Press F3 to review the log file</li> <li>2. Re-start the test to reset the log file</li> </ol>   |
| <b>018-197-XXX</b><br>PCI Card test warning                        | <ol style="list-style-type: none"> <li>1. Make sure the component that is called out is connected and/or enabled. See Chapter 6, "Using the Setup Utility," on page 57</li> <li>2. Re-run test</li> <li>3. Replace the component that is called out in warning statement</li> <li>4. Replace the component under test</li> </ol> |
| <b>018-198-XXX</b><br>PCI Card test aborted                        | <ol style="list-style-type: none"> <li>1. If a component is called out, make sure it is connected and/or enabled. See Chapter 6, "Using the Setup Utility," on page 57</li> <li>2. Flash the system and re-test. See "Flash update procedures" on page 375</li> <li>3. Go to "Undetermined problems" on page 92</li> </ol>       |
| <b>018-199-XXX</b><br>PCI Card test failed, cause unknown          | <ol style="list-style-type: none"> <li>1. Go to "Undetermined problems" on page 92</li> <li>2. Flash the system and re-test. See "Flash update procedures" on page 375</li> <li>3. Replace component under function test</li> </ol>  |
| <b>018-250-XXX</b><br>PCI Card Services error                      | <ol style="list-style-type: none"> <li>1. PCI card</li> <li>2. Riser card, if installed</li> <li>3. System board</li> </ol>  |
| <b>020-000-XXX</b><br>PCI Interface Test Passed                    | <b>No action</b>   |
| <b>020-0XX-XXX</b><br>PCI Interface error                          | <ol style="list-style-type: none"> <li>1. PCI card</li> <li>2. Riser card, if installed</li> <li>3. System board</li> </ol>  |
| <b>020-195-XXX</b><br>PCI Test aborted by user                     | <b>Information only</b><br>Re-start the test, if necessary   |
| <b>020-196-XXX</b><br>PCI test halt, error threshold exceeded      | <ol style="list-style-type: none"> <li>1. Press F3 to review the log file</li> <li>2. Re-start the test to reset the log file</li> </ol>   |
| <b>020-197-XXX</b><br>PCI test warning                             | <ol style="list-style-type: none"> <li>1. Make sure the component that is called out is connected and/or enabled. See Chapter 6, "Using the Setup Utility," on page 57</li> <li>2. Re-run test</li> <li>3. Replace the component that is called out in warning statement</li> <li>4. Replace the component under test</li> </ol> |

| Diagnostic Error Code  | FRU/Action  |
|--|---|
| 020-198-XXX<br>PCI test aborted                                    | <ol style="list-style-type: none"> <li>1. <b>If a component is called out, make sure it is connected and/or enabled. See Chapter 6, "Using the Setup Utility," on page 57</b></li> <li>2. Flash the system and re-test. See "Flash update procedures" on page 375</li> <li>3. Go to "Undetermined problems" on page 92</li> </ol>       |
| 020-199-XXX<br>PCI test failed, cause unknown                      | <ol style="list-style-type: none"> <li>1. Go to "Undetermined problems" on page 92</li> <li>2. Flash the system and re-test. See "Flash update procedures" on page 375</li> <li>3. Replace component under function test</li> </ol>   |
| 020-262-XXX<br>PCI system error                                    | <ol style="list-style-type: none"> <li>1. PCI card</li> <li>2. Riser card, if installed</li> <li>3. System board</li> </ol>   |
| 025-000-XXX<br>IDE interface Test Passed                           | <b>No action</b>  |
| 025-00X-XXX<br>025-01X-XXX<br>IDE interface failure                | <ol style="list-style-type: none"> <li>1. <b>IDE signal cable</b></li> <li>2. Check power supply voltages</li> <li>3. Reseat IDE signal cable</li> <li>4. IDE device</li> <li>5. System board</li> </ol>  |
| 025-027-XXX<br>IDE interface Configuration/Setup error             | <ol style="list-style-type: none"> <li>1. <b>IDE signal cable</b></li> <li>2. Flash the system. See "Flash update procedures" on page 375</li> <li>3. Reseat IDE signal cable</li> <li>4. IDE device</li> <li>5. System board</li> </ol>  |
| 025-02X-XXX<br>025-03X-XXX<br>025-04X-XXX<br>IDE Interface failure | <ol style="list-style-type: none"> <li>1. <b>IDE signal cable</b></li> <li>2. Check power supply</li> <li>3. Reseat IDE signal cable</li> <li>4. IDE device</li> <li>5. System board</li> </ol>   |
| 025-195-XXX<br>IDE interface Test aborted by user                  | <b>Information only</b><br>Re-start the test, if necessary  |
| 025-196-XXX<br>IDE interface test halt, error threshold exceeded   | <ol style="list-style-type: none"> <li>1. <b>Press F3 to review the log file</b></li> <li>2. Re-start the test to reset the log file</li> </ol>   |
| 025-197-XXX<br>IDE interface test warning                          | <ol style="list-style-type: none"> <li>1. <b>Make sure the component that is called out is connected and/or enabled. See Chapter 6, "Using the Setup Utility," on page 57</b></li> <li>2. Re-run test</li> <li>3. Replace the component that is called out in warning statement</li> <li>4. Replace the component under test</li> </ol> |



| Diagnostic Error Code  | FRU/Action  |
|--|---|
| <b>025-198-XXX</b><br>IDE interface test aborted                         | <ol style="list-style-type: none"> <li>1. <b>If a component is called out, make sure it is connected and/or enabled. See Chapter 6, "Using the Setup Utility," on page 57</b></li> <li>2. Flash the system and re-test. See "Flash update procedures" on page 375</li> <li>3. Go to "Undetermined problems" on page 92</li> </ol>       |
| <b>025-199-XXX</b><br>IDE interface test failed, cause unknown           | <ol style="list-style-type: none"> <li>1. Go to "Undetermined problems" on page 92</li> <li>2. Flash the system and re-test. See "Flash update procedures" on page 375</li> <li>3. Replace component under function test</li> </ol>   |
| <b>030-000-XXX</b><br>SCSI interface Test Passed                         | <b>No action</b>  |
| <b>030-00X-XXX</b><br><b>030-01X-XXX</b><br>SCSI interface failure       | <ol style="list-style-type: none"> <li>1. <b>SCSI signal cable</b></li> <li>2. Check power supply</li> <li>3. SCSI device</li> <li>4. SCSI adapter card, if installed</li> <li>5. System board</li> </ol>   |
| <b>030-027-XXX</b><br>SCSI interface Configuration/Setup error           | <ol style="list-style-type: none"> <li>1. <b>SCSI signal cable</b></li> <li>2. Flash the system. See "Flash update procedures" on page 375</li> <li>3. SCSI device</li> <li>4. SCSI adapter card, if installed</li> <li>5. System board</li> </ol>  |
| <b>030-03X-XXX</b><br><b>030-04X-XXX</b><br>SCSI interface error         | <ol style="list-style-type: none"> <li>1. <b>SCSI signal cable</b></li> <li>2. Check power supply</li> <li>3. SCSI device</li> <li>4. SCSI adapter card, if installed</li> <li>5. System board</li> </ol>   |
| <b>030-195-XXX</b><br>SCSI interface Test aborted by user                | <b>Information only</b><br>Re-start the test, if necessary  |
| <b>030-196-XXX</b><br>SCSI interface test halt, error threshold exceeded | <ol style="list-style-type: none"> <li>1. <b>Press F3 to review the log file</b></li> <li>2. Re-start the test to reset the log file</li> </ol>   |
| <b>030-197-XXX</b><br>SCSI interface test warning                        | <ol style="list-style-type: none"> <li>1. <b>Make sure the component that is called out is connected and/or enabled. See Chapter 6, "Using the Setup Utility," on page 57</b></li> <li>2. Re-run test</li> <li>3. Replace the component that is called out in warning statement</li> <li>4. Replace the component under test</li> </ol> |

| Diagnostic Error Code   | FRU/Action  |
|---|---|
| 030-198-XXX<br>SCSI interface test aborted                        | <ol style="list-style-type: none"> <li>1. <b>If a component is called out, make sure it is connected and/or enabled. See Chapter 6, "Using the Setup Utility," on page 57</b></li> <li>2. Flash the system and re-test. See "Flash update procedures" on page 375</li> <li>3. Go to "Undetermined problems" on page 92</li> </ol>       |
| 030-199-XXX<br>SCSI interface test failed, cause unknown          | <ol style="list-style-type: none"> <li>1. Go to "Undetermined problems" on page 92</li> <li>2. Flash the system and re-test. See "Flash update procedures" on page 375</li> <li>3. Replace component under function test</li> </ol>   |
| 035-000-XXX<br>RAID interface Test Passed                         | <b>No action</b>  |
| 035-0XX-XXX<br>RAID interface Failure                             | <ol style="list-style-type: none"> <li>1. <b>RAID signal cable</b></li> <li>2. RAID device</li> <li>3. RAID adapter card, if installed</li> <li>4. System board</li> </ol>  |
| 035-195-XXX<br>RAID interface Test aborted by user                | <b>Information only</b><br>Re-start the test, if necessary  |
| 035-196-XXX<br>RAID interface test halt, error threshold exceeded | <ol style="list-style-type: none"> <li>1. <b>Press F3 to review the log file</b></li> <li>2. Re-start the test to reset the log file</li> </ol>   |
| 035-197-XXX<br>RAID interface test warning                        | <ol style="list-style-type: none"> <li>1. <b>Make sure the component that is called out is connected and/or enabled. See Chapter 6, "Using the Setup Utility," on page 57</b></li> <li>2. Re-run test</li> <li>3. Replace the component that is called out in warning statement</li> <li>4. Replace the component under test</li> </ol> |
| 035-198-XXX<br>RAID interface test aborted                        | <ol style="list-style-type: none"> <li>1. <b>If a component is called out, make sure it is connected and/or enabled. See Chapter 6, "Using the Setup Utility," on page 57</b></li> <li>2. Flash the system and re-test. See "Flash update procedures" on page 375</li> <li>3. Go to "Undetermined problems" on page 92</li> </ol>       |
| 035-199-XXX<br>RAID interface test failed, cause unknown          | <ol style="list-style-type: none"> <li>1. See "Undetermined problems" on page 92</li> <li>2. Flash the system and re-test. See "Flash update procedures" on page 375</li> <li>3. Replace component under function test</li> </ol>   |
| 071-000-XXX<br>Audio port Interface Test Passed                   | <b>No action</b>  |

| Diagnostic Error Code   | FRU/Action  |
|---|---|
| 071-00X-XXX<br>071-01X-XXX<br>071-02X-XXX<br>Audio port error | <ol style="list-style-type: none"> <li>1. <b>Run Setup</b></li> <li>2. Flash the system. See "Flash update procedures" on page 375</li> <li>3. System board</li> </ol>  |
| 071-03X-XXX<br>Audio port failure                             | <ol style="list-style-type: none"> <li>1. <b>Speakers</b></li> <li>2. Microphone</li> <li>3. Audio card, if installed</li> <li>4. System board</li> </ol>   |
| 071-04X-XXX<br>Audio port failure                             | <ol style="list-style-type: none"> <li>1. <b>Run Setup</b></li> <li>2. Audio card, if installed</li> <li>3. System board</li> </ol>   |
| 071-195-XXX<br>Audio port Test aborted by user                | <p><b>Information only</b><br/>Re-start the test, if necessary</p>  |
| 071-196-XXX<br>Audio port test halt, error threshold exceeded | <ol style="list-style-type: none"> <li>1. <b>Press F3 to review the log file</b></li> <li>2. Re-start the test to reset the log file</li> </ol>   |
| 071-197-XXX<br>Audio port test warning                        | <ol style="list-style-type: none"> <li>1. <b>Make sure the component that is called out is connected and/or enabled. See Chapter 6, "Using the Setup Utility," on page 57</b></li> <li>2. Re-run test</li> <li>3. Replace the component that is called out in warning statement</li> <li>4. Replace the component under test</li> </ol> |
| 071-198-XXX<br>Audio port test aborted                        | <ol style="list-style-type: none"> <li>1. <b>If a component is called out, make sure it is connected and/or enabled. See Chapter 6, "Using the Setup Utility," on page 57</b></li> <li>2. Flash the system and re-test. See "Flash update procedures" on page 375</li> <li>3. Go to "Undetermined problems" on page 92</li> </ol>       |
| 071-199-XXX<br>Audio port test failed, cause unknown          | <ol style="list-style-type: none"> <li>1. See "Undetermined problems" on page 92</li> <li>2. Flash the system and re-test. See "Flash update procedures" on page 375</li> <li>3. Replace component under function test</li> </ol>   |
| 071-25X-XXX<br>Audio port failure                             | <ol style="list-style-type: none"> <li>1. <b>Speakers</b></li> <li>2. Audio card, if installed</li> <li>3. System board</li> </ol>  |
| 080-000-XXX<br>Game Port interface Test Passed                | <b>No action</b>  |
| 080-XXX-XXX<br>Game Port interface Error                      | <ol style="list-style-type: none"> <li>1. <b>Remove the game port device and re-test the system</b></li> </ol>  |
| 080-195-XXX<br>Game Port interface Test aborted by user       | <p><b>Information only</b><br/>Re-start the test, if necessary</p>  |

| Diagnostic Error Code  | FRU/Action  |
|--|---|
| <b>080-196-XXX</b><br>Game Port interface test halt, error threshold exceeded  | <ol style="list-style-type: none"> <li>1. <b>Press F3 to review the log file</b></li> <li>2. Re-start the test to reset the log file</li> </ol>   |
| <b>080-197-XXX</b><br>Game Port interface test warning                         | <ol style="list-style-type: none"> <li>1. <b>Make sure the component that is called out is connected and/or enabled. See Chapter 6, "Using the Setup Utility," on page 57</b></li> <li>2. Re-run test</li> <li>3. Replace the component that is called out in warning statement</li> <li>4. Replace the component under test</li> </ol> |
| <b>080-198-XXX</b><br>Game Port interface test aborted                         | <ol style="list-style-type: none"> <li>1. <b>If a component is called out, make sure it is connected and/or enabled. See Chapter 6, "Using the Setup Utility," on page 57</b></li> <li>2. Flash the system and re-test. See "Flash update procedures" on page 375</li> <li>3. Go to "Undetermined problems" on page 92</li> </ol>       |
| <b>080-199-XXX</b><br>Game Port interface test failed, cause unknown           | <ol style="list-style-type: none"> <li>1. See "Undetermined problems" on page 92</li> <li>2. Flash the system and re-test. See "Flash update procedures" on page 375</li> <li>3. Replace component under function test</li> </ol>   |
| <b>086-000-XXX</b><br>Mouse Port interface Test Passed                         | <b>No action</b>  |
| <b>086-001-XXX</b><br>Mouse Port interface Presence                            | <ol style="list-style-type: none"> <li>1. <b>Mouse</b></li> <li>2. System board</li> </ol>  |
| <b>086-032-XXX</b><br>Mouse Port interface Device controller failure           | <ol style="list-style-type: none"> <li>1. <b>Mouse</b></li> <li>2. System board</li> </ol>  |
| <b>086-035-XXX</b><br>Mouse Port interface Reset                               | <ol style="list-style-type: none"> <li>1. <b>Mouse</b></li> <li>2. System board</li> </ol>  |
| <b>086-040-XXX</b><br>Mouse Port interface IRQ failure                         | <ol style="list-style-type: none"> <li>1. <b>Run Setup</b></li> <li>2. Mouse</li> <li>3. System board</li> </ol>  |
| <b>086-195-XXX</b><br>Mouse Port interface Test aborted by user                | <b>Information only</b><br>Re-start the test, if necessary  |
| <b>086-196-XXX</b><br>Mouse Port interface test halt, error threshold exceeded | <ol style="list-style-type: none"> <li>1. <b>Press F3 to review the log file</b></li> <li>2. Re-start the test to reset the log file</li> </ol>   |

| Diagnostic Error Code   | FRU/Action  |
|---|---|
| 086-197-XXX<br>Mouse Port interface test warning                  | <ol style="list-style-type: none"> <li>1. <b>Make sure the component that is called out is connected and/or enabled. See Chapter 6, "Using the Setup Utility," on page 57</b></li> <li>2. Re-run test</li> <li>3. Replace the component that is called out in warning statement</li> <li>4. Replace the component under test</li> </ol> |
| 086-198-XXX<br>Mouse Port interface test aborted                  | <ol style="list-style-type: none"> <li>1. <b>If a component is called out, make sure it is connected and/or enabled. See Chapter 6, "Using the Setup Utility," on page 57</b></li> <li>2. Flash the system and re-test. See "Flash update procedures" on page 375</li> <li>3. Go to "Undetermined problems" on page 92</li> </ol>       |
| 086-199-XXX<br>Mouse Port interface test failed, cause unknown    | <ol style="list-style-type: none"> <li>1. See "Undetermined problems" on page 92</li> <li>2. Flash the system and re-test. See "Flash update procedures" on page 375</li> <li>3. Replace component under function test</li> </ol>   |
| 089-000-XXX<br>Microprocessor Test Passed                         | <b>No action</b>  |
| 089-XXX-XXX<br>Microprocessor failure                             | <ol style="list-style-type: none"> <li>1. <b>Microprocessor(s)</b></li> <li>2. System board</li> </ol>  |
| 089-195-XXX<br>Microprocessor Test aborted by user                | <b>Information only</b><br>Re-start the test, if necessary  |
| 089-196-XXX<br>Microprocessor test halt, error threshold exceeded | <ol style="list-style-type: none"> <li>1. <b>Press F3 to review the log file</b></li> <li>2. Re-start the test to reset the log file</li> </ol>   |
| 089-197-XXX<br>Microprocessor test warning                        | <ol style="list-style-type: none"> <li>1. <b>Make sure the component that is called out is connected and/or enabled. See Chapter 6, "Using the Setup Utility," on page 57</b></li> <li>2. Re-run test</li> <li>3. Replace the component that is called out in warning statement</li> <li>4. Replace the component under test</li> </ol> |
| 089-198-XXX<br>Microprocessor test aborted                        | <ol style="list-style-type: none"> <li>1. <b>Flash the system. See "Flash update procedures" on page 375</b></li> <li>2. Go to "Undetermined problems" on page 92</li> </ol>  |
| 089-199-XXX<br>Microprocessor test failed, cause unknown          | <ol style="list-style-type: none"> <li>1. See "Undetermined problems" on page 92</li> <li>2. Flash the system and re-test. See "Flash update procedures" on page 375</li> <li>3. Replace component under function test</li> </ol>   |
| 170-000-XXX<br>Voltage Sensor(s) Test Passed                      | <b>No action</b>  |

| Diagnostic Error Code   | FRU/Action  |
|---|---|
| <b>170-0XX-XXX</b><br>Voltage Sensor(s) failure                                   | <ol style="list-style-type: none"> <li>1. <b>Flash system</b></li> <li>2. System board</li> </ol>   |
| <b>170-195-XXX</b><br>Voltage Sensor(s) Test aborted by user                      | <p><b>Information only</b><br/>Re-start the test, if necessary</p>  |
| <b>170-196-XXX</b><br>Voltage Sensor(s) test halt, error threshold exceeded       | <ol style="list-style-type: none"> <li>1. <b>Press F3 to review the log file</b></li> <li>2. Re-start the test to reset the log file</li> </ol>   |
| <b>170-197-XXX</b><br>Voltage Sensor(s) test warning                              | <ol style="list-style-type: none"> <li>1. <b>Make sure the component that is called out is connected and/or enabled. See Chapter 6, "Using the Setup Utility," on page 57</b></li> <li>2. Re-run test</li> <li>3. Replace the component that is called out in warning statement</li> <li>4. Replace the component under test</li> </ol> |
| <b>170-198-XXX</b><br>Voltage Sensor(s) test aborted                              | <ol style="list-style-type: none"> <li>1. <b>If a component is called out, make sure it is connected and/or enabled. See Chapter 6, "Using the Setup Utility," on page 57</b></li> <li>2. Flash the system and re-test. See "Flash update procedures" on page 375</li> <li>3. Go to "Undetermined problems" on page 92</li> </ol>       |
| <b>170-199-XXX</b><br>Voltage Sensor(s) test failed, cause unknown                | <ol style="list-style-type: none"> <li>1. <b>See "Undetermined problems" on page 92</b></li> <li>2. Flash the system and re-test. See "Flash update procedures" on page 375</li> <li>3. Replace component under function test</li> </ol>  |
| <b>170-250-XXX</b><br><b>170-251-XXX</b><br>Voltage Sensor(s) Voltage limit error | <ol style="list-style-type: none"> <li>1. <b>Power supply</b></li> <li>2. System board</li> </ol>   |
| <b>170-254-XXX</b><br>Voltage Sensor(s) Voltage Regulator Module error            | <ol style="list-style-type: none"> <li>1. <b>Voltage Regulator Module (VRM)</b></li> <li>2. Microprocessor</li> <li>3. System board</li> </ol>  |
| <b>175-000-XXX</b><br>Thermal Sensor(s) Test Passed                               | <b>No action</b>  |
| <b>175-0XX-XXX</b><br>Thermal Sensor(s) failure                                   | <ol style="list-style-type: none"> <li>1. <b>Flash system</b></li> <li>2. System board</li> </ol>   |
| <b>175-195-XXX</b><br>Thermal Sensor(s) Test aborted by user                      | <p><b>Information only</b><br/>Re-start the test, if necessary</p>  |
| <b>175-196-XXX</b><br>Thermal Sensor(s) test halt, error threshold exceeded       | <ol style="list-style-type: none"> <li>1. <b>Press F3 to review the log file</b></li> <li>2. Re-start the test to reset the log file</li> </ol>   |

| Diagnostic Error Code                                       | FRU/Action  |
|---|---|
| 175-197-XXX<br>Thermal Sensor(s) test warning               | <ol style="list-style-type: none"> <li>1. <b>Make sure the component that is called out is connected and/or enabled. See Chapter 6, "Using the Setup Utility," on page 57</b></li> <li>2. Re-run test</li> <li>3. Replace the component that is called out in warning statement</li> <li>4. Replace the component under test</li> </ol> |
| 175-198-XXX<br>Thermal Sensor(s) test aborted               | <ol style="list-style-type: none"> <li>1. <b>If a component is called out, make sure it is connected and/or enabled</b></li> <li>2. Flash the system and re-test. See "Flash update procedures" on page 375</li> <li>3. Go to "Undetermined problems" on page 92</li> </ol>   |
| 175-199-XXX<br>Thermal Sensor(s) test failed, cause unknown | <ol style="list-style-type: none"> <li>1. <b>See "Undetermined problems" on page 92</b></li> <li>2. Flash the system and re-test. See "Flash update procedures" on page 375</li> <li>3. Replace component under function test</li> </ol>  |
| 175-250-XXX<br>175-251-XXX<br>Thermal Sensor(s) limit error | <ol style="list-style-type: none"> <li>1. <b>Check fans</b></li> <li>2. Check Power supply voltages</li> <li>3. Microprocessor</li> <li>4. System board</li> </ol>  |
| 185-000-XXX<br>Asset Security Test Passed                   | <b>No action</b>  |
| 185-XXX-XXX<br>Asset Security failure                       | <ol style="list-style-type: none"> <li>1. <b>Flash system</b></li> <li>2. System board</li> </ol>   |
| 185-278-XXX<br>Asset Security Chassis Intrusion             | <ol style="list-style-type: none"> <li>1. <b>Assure Asset Security Enabled</b></li> <li>2. C2 Cover Switch</li> <li>3. System board</li> </ol>  |
| 201-000-XXX<br>System Memory Test Passed                    | <b>No action</b>  |
| 201-XXX-XXX<br>System Memory error                          | <ol style="list-style-type: none"> <li>1. <b>Replace the memory module called out by the test</b></li> <li>2. System board</li> </ol>   |
| 202-000-XXX<br>System Cache Test Passed                     | <b>No action</b>  |
| 202-XXX-XXX<br>System Cache error                           | <ol style="list-style-type: none"> <li>1. <b>Cache, if removable</b></li> <li>2. System board</li> <li>3. Microprocessor</li> </ol>   |
| 206-000-XXX<br>Diskette Drive Test Passed                   | <b>No action</b>  |
| 206-XXX-XXX<br>Diskette Drive error                         | <ol style="list-style-type: none"> <li>1. <b>Diskette Drive Cable</b></li> <li>2. Check power supply voltages</li> <li>3. Diskette drive</li> <li>4. System board</li> </ol>  |

| <b>Diagnostic Error Code</b>   | <b>FRU/Action</b>  |
|--|--|
| <b>215-000-XXX</b><br>CD-ROM Drive Test Passed                           | <b>No action</b>   |
| <b>215-XXX-XXX</b><br>CD-ROM Drive error                                 | <ol style="list-style-type: none"> <li>1. <b>CD-ROM Drive Cable</b></li> <li>2. Check power supply voltages</li> <li>3. CD-ROM drive</li> <li>4. System board</li> </ol>   |
| <b>217-000-XXX</b><br>Hard Disk Drive Test Passed                        | <b>No action</b>   |
| <b>217-25X-XXX</b><br><b>217-26X-XXX</b><br>Hard Disk Drive (IDE) error  | <ol style="list-style-type: none"> <li>1. <b>Hard Disk Drive Cable</b></li> <li>2. Check power supply voltages</li> <li>3. Reseat the hard disk drive cable</li> <li>4. Hard Disk drive (IDE)</li> <li>5. System board</li> </ol>                                |
| <b>217-28X-XXX</b><br><b>217-29X-XXX</b><br>Hard Disk Drive (SCSI) error | <ol style="list-style-type: none"> <li>1. <b>Hard Disk Drive Cable</b></li> <li>2. Check power supply voltages</li> <li>3. Reseat the hard disk drive cable</li> <li>4. Hard Disk drive (SCSI)</li> <li>5. SCSI adapter card</li> <li>6. System board</li> </ol> |
| <b>220-000-XXX</b><br>Hi-Capacity Cartridge Drive Test Passed            | <b>No action</b>   |
| <b>220-XXX-XXX</b><br>Hi-Capacity Cartridge Drive error                  | <ol style="list-style-type: none"> <li>1. <b>Remove the Hi-Capacity Cartridge Drive and re-test the system</b></li> </ol>  |
| <b>301-XXX-XXX</b><br>Keyboard error                                     | <ol style="list-style-type: none"> <li>1. <b>Keyboard</b></li> <li>2. Check and test mouse</li> <li>3. System board</li> </ol>   |
| <b>301-000-XXX</b><br>Keyboard Test Passed                               | <b>No action</b>   |
| <b>302-000-XXX</b><br>Mouse Test Passed                                  | <b>No action</b>   |
| <b>302-XXX-XXX</b><br>Mouse error  | <ol style="list-style-type: none"> <li>1. <b>Mouse</b></li> <li>2. Check and test Keyboard</li> <li>3. System board</li> </ol>   |
| <b>303-000-XXX</b><br>Joystick Test Passed                               | <b>No action</b>   |
| <b>303-XXX-XXX</b><br>Joystick error                                     | <b>Remove the Joystick and re-test the system</b>  |
| <b>305-000-XXX</b><br>Monitor DDC Test Passed                            | <b>No action</b>   |
| <b>305-250-XXX</b><br>Monitor DDC self test failure                      | <ol style="list-style-type: none"> <li>1. <b>Run Setup to enable DDC</b></li> <li>2. Cable</li> <li>3. Monitor</li> <li>4. Video card</li> <li>5. System board</li> </ol>  |



| <b>Diagnostic Error Code</b>     | <b>FRU/Action</b>                              |
|----------------------------------|--|
| 415-000-XXX<br>Modem Test Passed | No action                                      |
| 415-XXX-XXX<br>Modem error       | <b>Remove the Modem and re-test the system</b> |

## Beep symptoms

Beep symptoms are tones or a series of tones separated by pauses (intervals without sound) See the following examples.

|       |   |
|-------|---|
| 1-2-X | <ul style="list-style-type: none"> <li>• One beep</li> <li>• A pause (or break)</li> <li>• Two beeps</li> <li>• A pause (or break)</li> <li>• Any number of breaks</li> </ul> |
| 4     | Four continuous beeps   |

When a recoverable error occurs during POST, BIOS displays an error code on the video display describing the problem. If a video failure is detected, BIOS also issues a beep code (one long tone followed by two short tones) during POST.

If an external ROM module does not properly checksum to zero. An external ROM can also issue audible tones, usually consisting of one long tone followed by a series of short tones.

Use the following table to diagnose beep symptoms.

| Beep Symptom                                    | FRU/Action  |
|---|---|
| 1-1-3<br>CMOS read-write error                  | <ol style="list-style-type: none"> <li>1. Run Setup</li> <li>2. System Board</li> </ol>                           |
| 1-2-2-3<br>ROM BIOS check error                 | System board  |
| 1-2-1<br>Programmable Interval Timer failed     | System board  |
| 1-2-2 DMA Initialization failed                 | System board  |
| 1-2-3 DMA page register write/read failed       | System board  |
| 1-2-4 RAM refresh verification failed           | <ol style="list-style-type: none"> <li>1. Memory module</li> <li>2. System Board</li> </ol>                       |
| 1-3-3-1 1st 64K RAM test failed                 | <ol style="list-style-type: none"> <li>1. Memory module</li> <li>2. System Board</li> </ol>                       |
| 1-3-2 1st 64K RAM parity test failed            | <ol style="list-style-type: none"> <li>1. Memory module</li> <li>2. Processor</li> <li>3. System Board</li> </ol> |
| 2-2-3-1<br>Interrupt vector loading test failed | System board  |
| 2-1-1 Secondary DMA register failed             | System board  |
| 2-1-2<br>Primary DMA register failed            | System board  |
| 2-1-3 Primary interrupt mask register failed    | System board  |
| 2-1-4 Secondary interrupt mask register failed  | System board  |
| 2-2-1 Interrupt vector loading failed           | System board  |

| <b>Beep Symptom</b>   | <b>FRU/Action</b>   |
|---|---|
| <b>1-3-1-3</b> Keyboard controller failed                     | <ol style="list-style-type: none"> <li><b>System Board</b></li> <li>Keyboard</li> </ol>                                   |
| <b>2-2-3</b><br>CMOS power failure and checksum checks failed | <ol style="list-style-type: none"> <li><b>Battery</b></li> <li>System Board</li> </ol>                                    |
| <b>2-2-4</b> CMOS configuration info validation failed        | <ol style="list-style-type: none"> <li><b>Battery</b></li> <li>System Board</li> </ol>                                    |
| <b>2-3-1</b> Screen initialization failed                     | <ol style="list-style-type: none"> <li><b>Jumper on J28</b></li> <li>System Board</li> </ol>                              |
| <b>2-3-2</b> Screen memory failed                             | <b>System board</b>   |
| <b>2-3-3</b> Screen retrace failed                            | <b>System board</b>   |
| <b>1-2</b> Search for video ROM failed                        | <b>System board</b>   |
| All other beep code sequences                                 | <b>System board</b>   |
| Continuous beep   | <b>System Board</b>   |
| Repeating short beeps   | <ol style="list-style-type: none"> <li><b>Keyboard stuck key</b></li> <li>Keyboard Cable</li> <li>System Board</li> </ol> |

---

## No-beep symptoms

| Symptom/Error                                     | FRU/Action   |
|---|--|
| No beep during POST but computer works correctly. | <b>System board</b>  |
| No beep during POST.                              | <ol style="list-style-type: none"><li>1. See “Undetermined problems” on page 92.</li><li>2. System Board</li><li>3. Memory Module</li><li>4. Any Adapter or Device</li><li>5. Riser Card</li><li>6. Power Cord</li><li>7. Power Supply</li></ol> |

---

## POST error codes

Each time you power-on the system, it performs a series of tests that check the operation of the system and some options. This series of tests is called the *Power-On Self-Test*, or *POST*. POST does the following operations.

- Checks some basic system-board operations
- Checks the memory operation
- Starts the video operation
- Verifies that the diskette drive is working
- Verifies that the hard disk drive is working

If the POST finishes without detecting any problems, a single beep sounds and the first screen of the operating system or application program appears.

If the POST detects a problem, an error message appears on the screen. A single problem can cause several error messages to appear. When you correct the cause of the first error message, the other error messages probably will not appear on the screen the next time you turn on the system.

In the following index, X can represent any number.

| POST Error Code  | FRU/Action   |
|--|--|
| <b>162</b><br>Configuration error                              | Select the default settings in BIOS. See Chapter 6, "Using the Setup Utility," on page 57.   |
| <b>164</b><br>Memory Size Error                                | <ol style="list-style-type: none"><li>1. Run the Extended Memory Diagnostic tests</li><li>2. Replace memory modules</li></ol>  |
| <b>166</b><br>Boot Block Check Sum Error                       | <ol style="list-style-type: none"><li>1. Perform a flash update to update the BIOS level</li><li>2. System board</li></ol>   |
| <b>167</b><br>No Processor BIOS update found                   | <ol style="list-style-type: none"><li>1. Run Setup. Check Stepping level for the BIOS level needed, then perform the flash update.</li><li>2. Replace the microprocessor</li></ol> |
| <b>175</b> Primary Copy of Secure Data is damaged              | <ol style="list-style-type: none"><li>1. Run Setup and select default settings</li><li>2. System board</li></ol>   |
| <b>176</b> The System has been tampered with                   | <ol style="list-style-type: none"><li>1. Covers were removed from the computer</li></ol>   |
| <b>179</b> Boot Integrity Services Segment Error               | <ol style="list-style-type: none"><li>1. Perform a flash update to update the BIOS level</li><li>2. System board</li></ol>   |
| <b>184</b><br>Asset Control Antenna not detected               | <ol style="list-style-type: none"><li>1. Make sure Asset Care and <b>Asset ID™</b> are enabled in Setup</li><li>2. RFID Antenna</li><li>3. Replace system board</li></ol>          |
| <b>186</b> Security Hardware Control Logic Error               | If problem persists, replace the system board  |
| <b>190</b><br>System Security: Invalid Remote Change Requested | If problem persists, replace the system board  |

| <b>POST Error Code</b>   | <b>FRU/Action</b>  |
|--|--|
| <b>191</b> System Security: Embedded Security hardware Reset           | If problem persists, replace the system board  |
| <b>192</b> System Security: Embedded Security hardware tamper detected | If problem persists, replace the system board  |
| <b>193</b> System Security: Embedded Security hardware Removed         | If problem persists, replace the system board  |
| <b>194</b> System Security: Asset ID Antenna has been Removed          | If problem persists, replace the system board  |
| <b>195</b> System Security: Asset ID Antenna has been installed        | If problem persists, replace the system board  |
| <b>196</b> System Tampered Cleared                                     | If problem persists, replace the system board  |
| <b>201</b><br>Memory error   | <ol style="list-style-type: none"> <li>1. Run Enhanced Diagnostics Memory Test</li> <li>2. Memory module</li> <li>3. System board</li> </ol>   |
| <b>210</b><br>Keyboard stuck key error                                 | <ol style="list-style-type: none"> <li>1. Check for stuck keys</li> <li>2. Replace the keyboard</li> </ol>   |
| <b>211</b><br>Keyboard error   | <ol style="list-style-type: none"> <li>1. Make sure keyboard is connected correctly</li> <li>2. Check for stuck keys</li> <li>3. Replace the keyboard</li> </ol>                     |
| <b>212</b><br>Keyboard controller error                                | <ol style="list-style-type: none"> <li>1. Replace the keyboard</li> <li>2. If problem persists, replace the system board</li> </ol>  |
| <b>250</b><br>Battery is dead  | <ol style="list-style-type: none"> <li>1. Replace the battery and run Setup</li> <li>2. If problem persists, replace the system board</li> </ol>                                     |
| <b>270</b><br>Real time clock error                                    | <ol style="list-style-type: none"> <li>1. Run Setup and set date and time</li> <li>2. If problem persists, replace the system board</li> </ol>                                       |
| <b>271</b><br>Date and time out of range                               | <ol style="list-style-type: none"> <li>1. Run Setup and set date and time</li> <li>2. If problem persists, replace the system board</li> </ol>                                       |
| <b>662</b> Configuration Change has occurred                           | Diskette drive configuration error or wrong diskette drive type; run Setup.  |
| <b>1762</b><br>Configuration Change has occurred                       | <ol style="list-style-type: none"> <li>1. Run Setup and verify hard disk drive settings.</li> <li>2. Run hard disk drive diagnostics.</li> <li>3. Replace hard disk drive</li> </ol> |
| <b>1800</b> PCI/PnP Error! No Hardware Interrupt Available             | <ol style="list-style-type: none"> <li>1. Run Setup and verify PCI/ISA configuration settings.</li> <li>2. Run diagnostics.</li> <li>3. Replace PCI Adapter</li> </ol>               |

| <b>POST Error Code</b>   | <b>FRU/Action</b>   |
|--|---|
| <b>1801</b> PCI/PnP Error! No Space Available to Shadow ROM              | <ol style="list-style-type: none"> <li>1. Run Setup and verify PCI/ISA configuration settings.</li> <li>2. Run diagnostics.</li> <li>3. Replace PCI Adapter</li> </ol>  |
| <b>1802</b> PCI/PnP Error! Not Enough I/O Space Available                | <ol style="list-style-type: none"> <li>1. Run Setup and verify PCI/ISA configuration settings.</li> <li>2. Run diagnostics.</li> <li>3. Replace PCI Adapter</li> </ol>  |
| <b>1803</b> PCI/PnP Error! Not Enough Memory Space Available             | <ol style="list-style-type: none"> <li>1. Run Setup and verify PCI/ISA configuration settings.</li> <li>2. Run diagnostics.</li> <li>3. Replace PCI Adapter</li> </ol>  |
| <b>1804</b> PCI/PnP Error! Not Enough Real Memory Space Available        | <ol style="list-style-type: none"> <li>1. Run Setup and verify PCI/ISA configuration settings.</li> <li>2. Run diagnostics.</li> <li>3. Replace PCI Adapter</li> </ol>  |
| <b>1805</b> PCI/PnP Error! Adapter ROM Checksum Error                    | <ol style="list-style-type: none"> <li>1. Run Setup and verify PCI/ISA configuration settings.</li> <li>2. Run diagnostics.</li> <li>3. Replace PCI Adapter</li> </ol>  |
| <b>1962</b><br>No operating system found                                 | Press F1 to repeat boot sequence.   |
| <b>5962</b><br>An IDE device (other than hard drive) configuration error | <ol style="list-style-type: none"> <li>1. Run Setup.</li> <li>2. CD-ROM Drive</li> <li>3. CD-ROM Adapter</li> <li>4. Zip or other ATAPI device</li> <li>5. Replace system Board</li> <li>6. Replace riser card if applicable</li> </ol> |
| <b>8603, 8604</b> Pointing Device Error                                  | <ol style="list-style-type: none"> <li>1. Replace pointing device (mouse)</li> <li>2. if problem persists, replace the system board</li> </ol>  |

## Miscellaneous error messages

| Message/Symptom  | FRU/Action   |
|--|--|
| CMOS Backup Battery inaccurate   | <ol style="list-style-type: none"> <li>1. <b>CMOS Backup Battery</b> (see Chapter 2, "Safety information," on page 5)</li> <li>2. System Board</li> </ol>  |
| Changing colors  | <b>Display/Monitor</b>   |
| Computer will <i>not</i> power-off. See "Power Supply Errors" on page 61.      | <ol style="list-style-type: none"> <li>1. <b>Power Switch</b></li> <li>2. System Board</li> <li>3. Riser card</li> </ol>   |
| Computer will <i>not</i> RPL from server                                       | <ol style="list-style-type: none"> <li>1. <b>Ensure that network is in startup sequence as first device or first device after diskette</b></li> <li>2. Ensure that network adapter is enabled for RPL</li> <li>3. Network adapter (Advise network administrator of new MAC address)</li> </ol>   |
| Computer will <i>not</i> perform a Wake On LAN <sup>®</sup> (if applicable)    | <ol style="list-style-type: none"> <li>1. <b>Check power supply and signal cable connections to network adapter</b></li> <li>2. Ensure that the operating system settings are set to enable Wake on LAN<sup>®</sup></li> <li>3. Ensure Wake On LAN feature is enabled in Setup/Configuration (see "Starting the Setup Utility program" on page 57)</li> <li>4. Ensure network administrator is using correct MAC address</li> <li>5. Ensure no interrupt or I/O address conflicts</li> <li>6. Network adapter (advise network administrator of new MAC address)</li> </ol> |
| Dead computer. See "Power Supply Errors" on page 61.                           | <ol style="list-style-type: none"> <li>1. <b>Power Supply</b></li> <li>2. System Board</li> <li>3. Riser card</li> </ol>   |
| Diskette drive in-use light remains on or does not light when drive is active. | <ol style="list-style-type: none"> <li>1. <b>Diskette Drive</b></li> <li>2. System Board</li> <li>3. Diskette Drive Cable</li> <li>4. Riser card</li> </ol>  |
| Flashing cursor with an otherwise blank display.                               | <ol style="list-style-type: none"> <li>1. <b>System Board</b></li> <li>2. Primary Hard Disk Drive</li> <li>3. Hard Disk Drive Cable</li> <li>4. Riser card</li> </ol>  |
| Incorrect memory size during POST  | <ol style="list-style-type: none"> <li>1. <b>Run the Memory tests</b></li> <li>2. Memory Module</li> <li>3. System Board</li> </ol>  |



| Message/Symptom   | FRU/Action  |
|---|---|
| "Insert a Diskette" icon appears with a known-good diagnostics diskette in the first 3.5-inch diskette drive. | <ol style="list-style-type: none"> <li>1. <b>System Board</b></li> <li>2. Diskette Drive Cable</li> <li>3. Riser card</li> <li>4. Network Adapter</li> </ol>  |
| Intensity or color varies from left to right of characters and color bars                                     | <ol style="list-style-type: none"> <li>1. <b>Display</b></li> <li>2. System Board</li> </ol>  |
| No power or fan not running   | 1. <b>See "Power Supply Errors" on page 61.</b>   |
| Non-system disk or disk error-type message with a known-good diagnostic diskette.                             | <ol style="list-style-type: none"> <li>1. <b>Diskette Drive</b></li> <li>2. System Board</li> <li>3. Diskette Drive Cable</li> <li>4. Riser card</li> </ol>   |
| Other display symptoms not listed above (including blank or illegible display)                                | <ol style="list-style-type: none"> <li>1. <b>Display</b></li> <li>2. System Board</li> </ol>  |
| Power-on indicator or hard disk drive in-use light not on, but computer works correctly                       | <ol style="list-style-type: none"> <li>1. <b>Power Supply</b></li> <li>2. System Board</li> <li>3. LED Cables</li> </ol>  |
| Printer problems  | 1. <b>Printer</b>   |
| Program loads from the hard disk with a known-good diagnostics diskette in the first 3.5-inch diskette drive  | <ol style="list-style-type: none"> <li>1. <b>Run Setup</b></li> <li>2. Diskette Drive</li> <li>3. Diskette Drive Cable</li> <li>4. System Board</li> <li>5. Riser card</li> <li>6. Power Supply</li> </ol>  |
| RPL computer cannot access programs from its own hard disk.   | <ol style="list-style-type: none"> <li>1. <b>If network administrator is using LCCM Hybrid RPL, check startup sequence:</b> <ol style="list-style-type: none"> <li>a. <b>First device - network</b></li> <li>b. <b>Second device - hard disk</b></li> </ol> </li> <li>2. Hard disk drive</li> </ol> |
| RPL computer does not RPL from server   | <ol style="list-style-type: none"> <li>1. <b>Check startup sequence</b></li> <li>2. Check the network adapter LED status</li> </ol>   |
| Serial or parallel port device failure (system board port)  | <ol style="list-style-type: none"> <li>1. <b>External Device Self-Test OK?</b></li> <li>2. External Device</li> <li>3. Cable</li> <li>4. System Board</li> </ol>  |
| Serial or parallel port device failure (adapter port)   | <ol style="list-style-type: none"> <li>1. <b>External Device Self-Test OK?</b></li> <li>2. External Device</li> <li>3. Cable</li> <li>4. Alternate Adapter</li> <li>5. System Board</li> </ol>  |

| Message/Symptom                              | FRU/Action   |
|--|--|
| Some or all keys on the keyboard do not work | <ol style="list-style-type: none"> <li>1. <b>Keyboard</b></li> <li>2. Keyboard Cable</li> <li>3. System Board</li> </ol> |

---

## Undetermined problems

Check the power supply voltages (see “Power Supply Errors” on page 61) If the voltages are correct, return here and continue with the following steps.

1. Power-off the computer.
2. Remove or disconnect the following components (if installed) one at a time.
  - a. External devices (modem, printer, or mouse)
  - b. Any adapters
  - c. Riser card
  - d. Memory modules
  - e. Extended video memory
  - f. External Cache
  - g. External Cache RAM
  - h. Hard disk drive
  - i. Diskette drive
3. Power-on the computer to re-test the system.
4. Repeat steps 1 through 3 until you find the failing device or adapter.

If all devices and adapters have been removed, and the problem continues, replace the system board.

---

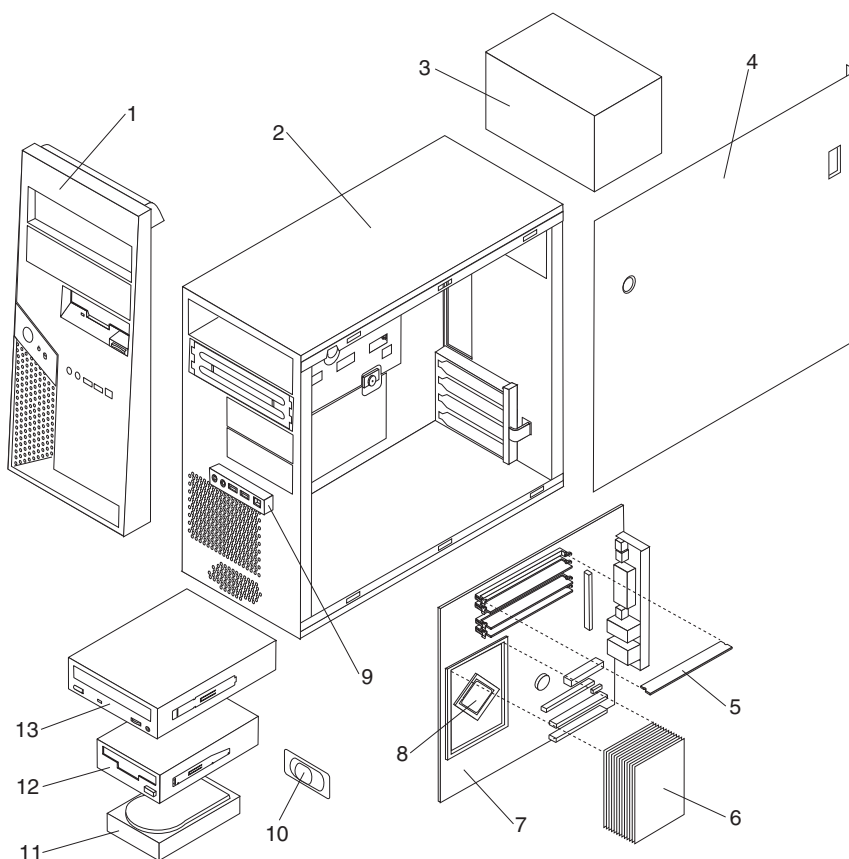
## Chapter 8. FRU lists

This section lists field replaceable units (FRUs) for all machine types.

**Notes:**

1. In the following tables, A CRU (Customer Replaceable Unit) is identified by either a 1, 2, or N in the CRU Tier column. A "1" means that the part is a Tier 1 CRU, A "2" means that the part is a Tier 2 CRU, and an "N" means that the part is not a CRU.
2. There is a column with a heading of **RoHS?**. This column contains a "Y" if the FRU is RoHS compliant or an "N" if the FRU is not RoHS compliant. Please read "Important information about replacing RoHS compliant FRUs" on page 3.

## Machine Type 6487



| Item # | 6487 FRUs   | FRU#    | CRU Tier | RoHS? |
|--------|---|---------|----------|-------|
| 1      | Bezel Asm (all models)  | 41A7857 | 1        | Y     |
| 2      | Chassis Asm (all models)  | 41A7863 | N        | Y     |
| 3      | Power supply, 310 W, standard (models GQU GQF GQS GQP GQL GQD GQY GQG GQM GQA GQK GQR)  | 41N3449 | 2        | Y     |
| 3      | Power supply, 310 W, China (models GQQ GQC GQB GQH GQV)   | 41N3452 | 2        | Y     |
| 3      | Power supply, 310 W, Japan (models GQE GQJ)   | 41N3456 | 2        | Y     |
| 4      | Cover (all models)  | 39M0465 | 1        | Y     |
| 5      | Memory - 1GB DDR2 SDRAM NP (PC 5300) (models GQU GQF GQS GQP GQL GQD GQY GQG GQM GQA GQT GQC GQB GQH GQV GQK GQR GQE GQJ GQQ) | 41X4252 | 1        | Y     |
| 5      | Memory - 1GB DDR2 SDRAM NP (PC 5300) (models GQU GQF GQS GQP GQL GQD GQY GQG GQM GQA GQT GQC GQB GQH GQV GQK GQR GQE GQJ GQQ) | 30R5126 | 1        | Y     |
| 6      | Heat sink, aluminum (all models)  | 41A7855 | 2        | Y     |
| 7      | System board (G), (models GQU GQF GQS GQP GQL GQD GQY GQG GQM GQA GQT GQC GQB GQH GQV GQK GQR GQE GQJ GQQ)                    | 43C7178 | N        | Y     |
| 7      | System board (AMT), (models GQU GQF GQS GQP GQL GQD GQY GQG GQM GQA GQT GQC GQB GQH GQV GQK GQR GQE GQJ GQQ)                  | 43C7179 | N        | Y     |

| Item # | 6487 FRUs  | FRU#    | CRU Tier | RoHS? |
|--------|--|---------|----------|-------|
| 8      | Microprocessor, Pentium E2140 800/1600MHZ-1M, LGA, EM64T (models GQU GQF GQ S GQP GQL GQD GQY GQG GQM GQA GQT GQC GQB GQH GQV GQK GQR GQE GQJ GQQ) | 43C1967 | N        | Y     |
| 8      | Microprocessor - Pentium CONROE-L E2180 2.0GHz 800MHz FSB, 1M, EM64T (models)  | 45C1773 | N        | Y     |
| 8      | Microprocessor - Pentium CONROE-L E2220 2.4GHz 800MHz FSB, 1M, EM64T (models)  | 45C1774 | N        | Y     |
| 8      | Microprocessor - Core 2 Duo E4500 Processor 2.2GHz 800MHz FSB 2M (models)  | 43C6305 | N        | Y     |
| 9      | Front panel card Asm (all models)  | 41A7864 | 2        | Y     |
| 10     | Speaker Asm, Soldered Terminals (all models)   | 39P5023 | 2        | Y     |
| 11     | Hard disk drive, 80GB, 7200RPM, Serial ATA (models GQU GQF GQS GQP GQL GQD GQY GQG GQM GQA GQQ GQT GQC GQB GQH GQV GQK GQR GQE GQJ)                | 40Y9034 | 1        | Y     |
| 11     | Hard disk drive, 80GB, 7200RPM, Serial ATA (models GQU GQF GQS GQP GQL GQD GQY GQG GQM GQA GQQ GQT GQC GQB GQH GQV GQK GQR GQE GQJ)                | 40Y8761 | 1        | Y     |
| 12     | Diskette drive, 1.44MB, 3-mode, w/o bezel (models)   | 40Y9107 | 1        | Y     |
| 12     | Diskette drive, 1.44MB, 3-mode, w/o bezel (models)   | 40Y9105 | 1        | Y     |
| 13     | DVD-ROM 16X/48X - Black (models GQU GQF GQS GQP GQL GQD GQY GQG GQM GQA GQQ GQT GQC GQB GQH GQV GQK GQR GQE GQJ)                                   | 41N3325 | 1        | Y     |
| 13     | DVD-ROM 16X/48X - Black-nonvista/vista (models GQU GQF GQS GQP GQL GQD GQY GQG GQM GQA GQQ GQT GQC GQB GQH GQV GQK GQR GQE GQJ)                    | 42Y6324 | 1        | Y     |

The FRUs listed in the following table are not illustrated.

| 6487 FRUs                                     | FRU#    | CRU Tier | RoHS? |
|---|---------|----------|-------|
| Cable, C2 Switch (all models)                 | 39M0458 | 1        | Y     |
| Shield, 5.25 EMC (all models)                 | 39M0460 | 1        | Y     |
| Cable, SATA (18-inch RoHs) (all models)       | 26K1186 | 1        | Y     |
| Hard disk drive mounting bracket (all models) | 39M0461 | 1        | Y     |
| Cable, serial (all models)                    | 39K5021 | 1        | Y     |
| EMC shield, diskette drive (all models)       | 39M0464 | 1        | Y     |
| Cable, diskette drive (RoHs) (all models)     | 26K1184 | 1        | Y     |
| Bezel asm, diskette drive, black (all models) | 41A7806 | 1        | Y     |
| Fan duct Asm (all models)                     | 39M0470 | 1        | Y     |
| Device retaining clips (all models)           | 39M0473 | 2        | Y     |
| Shield, system board (all models)             | 41A7865 | N        | Y     |
| Miscellaneous hardware kit (all models)       | 39M0477 | 1        | Y     |
| Cable, 1394 panel mount (all models)          | 39M0478 | 1        | Y     |
| RM kit (all models)                           | 39K5046 | N        | Y     |
| Thermal sense cable (460 mm) (all models)     | 41R2509 | 2        | Y     |

| 6487 FRUs   | FRU#    | CRU Tier | RoHS? |
|---|---------|----------|-------|
| Miscellaneous screw kit (all models)                    | 41R2477 | 2        | Y     |
| Cable, 2 Drop IDE (all models)                          | 39M0516 | 2        | Y     |
| Universal Adapter Bracket 5.25 to 3.5-inch (all models) | 32P4743 | 1        | Y     |

| 6487 Keyboards (USB Preferred - without hub)        | FRU#    | CRU Tier | RoHS? |
|---|---------|----------|-------|
| US English (models GQU GQG GQM GQA GQQ GQH GQR GQE) | 41A5289 | 1        | Y     |
| Arabic (models GQG)                                 | 41A5290 | 1        | Y     |
| Belgian/French (models GQG)                         | 41A5292 | 1        | Y     |
| Belgian/UK (models GQG)                             | 41A5293 | 1        | Y     |
| Brazilian (models GQP)                              | 41A5294 | 1        | Y     |
| Bulgarian (models GQG)                              | 41A5295 | 1        | Y     |
| Chinese/US (models GQB GQV)                         | 41A5296 | 1        | Y     |
| Czech (models GQG)                                  | 41A5297 | 1        | Y     |
| Danish (models GQG)                                 | 41A5298 | 1        | Y     |
| Dutch (models GQG)                                  | 41A5299 | 1        | Y     |
| French (models GQG)                                 | 41A5300 | 1        | Y     |
| French Canadian 445 (models GQF)                    | 41A5301 | 1        | Y     |
| French Canadian 58 (models GQF)                     | 41A5302 | 1        | Y     |
| German (models GQG)                                 | 41A5303 | 1        | Y     |
| Greek (models GQG)                                  | 41A5304 | 1        | Y     |
| Greek/US (models GQG)                               | 41A5305 | 1        | Y     |
| Hebrew (models GQG)                                 | 41A5306 | 1        | Y     |
| Hungarian (models GQG)                              | 41A5307 | 1        | Y     |
| Iceland (models GQG)                                | 41A5308 | 1        | Y     |
| Italian 141 (models GQG)                            | 41A5309 | 1        | Y     |
| Japanese (models GQJ)                               | 41A5310 | 1        | Y     |
| Korean (models GQK)                                 | 41A5311 | 1        | Y     |
| LA Spanish (models GQS GQD GQY)                     | 41A5312 | 1        | Y     |
| Norwegian (models GQG)                              | 41A5313 | 1        | Y     |
| Polish (models GQG)                                 | 41A5314 | 1        | Y     |
| Portuguese (models GQG)                             | 41A5315 | 1        | Y     |
| Romanian 096 (models GQG)                           | 41A5317 | 1        | Y     |
| Romanian 446 (models GQG)                           | 41A5316 | 1        | Y     |
| Russian/Cyrillic (models GQG)                       | 41A5318 | 1        | Y     |
| Serbian/Cyrillic (models GQG)                       | 41A5319 | 1        | Y     |
| Slovak (models GQG)                                 | 41A5320 | 1        | Y     |
| Spanish (models GQG)                                | 41A5321 | 1        | Y     |
| Swedish/Finland (models GQG)                        | 41A5322 | 1        | Y     |
| Swiss (models GQG)                                  | 41A5323 | 1        | Y     |

| <b>6487 Keyboards (USB Preferred - without hub)</b> | <b>FRU#</b> | <b>CRU Tier</b> | <b>RoHS?</b> |
|---|-------------|-----------------|--------------|
| Thailand (models GQT)                               | 41A5324     | 1               | Y            |
| Turkish 440 (models GQG)                            | 41A5325     | 1               | Y            |
| Turkish 179 (models GQG)                            | 41A5326     | 1               | Y            |
| UK English (models GQG)                             | 41A5327     | 1               | Y            |
| US Euro (models GQG)                                | 41A5328     | 1               | Y            |
| Slovenian (models GQG)                              | 41A5329     | 1               | Y            |

| <b>6487 Keyboards (USB, Productivity)</b> | <b>FRU#</b> | <b>CRU Tier</b> | <b>RoHS?</b> |
|---|-------------|-----------------|--------------|
| US English (models)                       | 41A4961     | 1               | Y            |
| Arabic (models)                           | 41A4962     | 1               | Y            |
| Arabic/French (models)                    | 41A4963     | 1               | Y            |
| Belgian/French (models)                   | 41A4964     | 1               | Y            |
| Belgian/UK (models)                       | 41A4965     | 1               | Y            |
| Brazilian (models)                        | 41A4966     | 1               | Y            |
| Bulgarian (models)                        | 41A4967     | 1               | Y            |
| Hong Kong/Taiwan (models)                 | 41A4968     | 1               | Y            |
| Czech (models)                            | 41A4969     | 1               | Y            |
| Danish (models)                           | 41A4970     | 1               | Y            |
| Dutch (models)                            | 41A4971     | 1               | Y            |
| French (models)                           | 41A4972     | 1               | Y            |
| French Canadian 445 (models)              | 41A4973     | 1               | Y            |
| French Canadian 58 (models)               | 41A4974     | 1               | Y            |
| German (models)                           | 41A4975     | 1               | Y            |
| Greek (models)                            | 41A4976     | 1               | Y            |
| Hebrew (models)                           | 41A4977     | 1               | Y            |
| Hungarian (models)                        | 41A4978     | 1               | Y            |
| Iceland (models)                          | 41A4979     | 1               | Y            |
| Italian (models)                          | 41A4980     | 1               | Y            |
| Japanese (models)                         | 41A4981     | 1               | Y            |
| Korean (models)                           | 41A4982     | 1               | Y            |
| LA Spanish (models)                       | 41A4983     | 1               | Y            |
| Norwegian (models)                        | 41A4984     | 1               | Y            |
| Polish (models)                           | 41A4985     | 1               | Y            |
| Portuguese (models)                       | 41A4986     | 1               | Y            |
| Romanian (models)                         | 41A4987     | 1               | Y            |
| Russian/Cy (models)                       | 41A4988     | 1               | Y            |
| Serbian/Cyrillic (models)                 | 41A4989     | 1               | Y            |
| Slovak (models)                           | 41A4990     | 1               | Y            |
| Spanish (models)                          | 41A4991     | 1               | Y            |

| <b>6487 Keyboards (USB, Productivity)</b> | <b>FRU#</b> | <b>CRU Tier</b> | <b>RoHS?</b> |
|---|-------------|-----------------|--------------|
| Swedish/Finn (models)                     | 41A4992     | 1               | Y            |
| Swiss F/G (models)                        | 41A4993     | 1               | Y            |
| Thailand (models)                         | 41A4994     | 1               | Y            |
| Turkish 440 (models)                      | 41A4995     | 1               | Y            |
| Turkish 179 (models)                      | 41A4996     | 1               | Y            |
| UK English (models)                       | 41A4997     | 1               | Y            |
| US Euro (models)                          | 41A4998     | 1               | Y            |
| Slovenian (models)                        | 41A4999     | 1               | Y            |

| <b>6487 Keyboards (Fingerprint Reader USB)</b> | <b>FRU#</b> | <b>CRU Tier</b> | <b>RoHS?</b> |
|--|-------------|-----------------|--------------|
| US English (models)                            | 41A5248     | 1               | Y            |
| Arabic (models)                                | 41A5249     | 1               | Y            |
| Arabic/French (models)                         | 41A5250     | 1               | Y            |
| Belgian/French (models)                        | 41A5251     | 1               | Y            |
| Belgian/UK (models)                            | 41A5252     | 1               | Y            |
| Brazil/Portuguese (models)                     | 41A5253     | 1               | Y            |
| Bulgarian (models)                             | 41A5254     | 1               | Y            |
| Chinese (models)                               | 41A5255     | 1               | Y            |
| Czech (models)                                 | 41A5256     | 1               | Y            |
| Danish (models)                                | 41A5257     | 1               | Y            |
| Dutch (models)                                 | 41A5258     | 1               | Y            |
| French (models)                                | 41A5259     | 1               | Y            |
| French Canadian 445 (models)                   | 41A5260     | 1               | Y            |
| French Canadian 58 (models)                    | 41A5261     | 1               | Y            |
| German (models)                                | 41A5262     | 1               | Y            |
| Greek (models)                                 | 41A5263     | 1               | Y            |
| Greek/US (models)                              | 41A5264     | 1               | Y            |
| Hebrew (models)                                | 41A5265     | 1               | Y            |
| Hungarian (models)                             | 41A5266     | 1               | Y            |
| Iceland (models)                               | 41A5267     | 1               | Y            |
| Italian 141 (models)                           | 41A5268     | 1               | Y            |
| Japanese (models)                              | 41A5269     | 1               | Y            |
| Korean (models)                                | 41A5270     | 1               | Y            |
| LA Spanish (models)                            | 41A5271     | 1               | Y            |
| Norwegian (models)                             | 41A5272     | 1               | Y            |
| Polish (models)                                | 41A5273     | 1               | Y            |
| Portuguese (models)                            | 41A5274     | 1               | Y            |
| Romanian 096 (models)                          | 41A5275     | 1               | Y            |
| Romanian 446 (models)                          | 41A5276     | 1               | Y            |



| <b>6487 Keyboards (Fingerprint Reader USB)</b> | <b>FRU#</b> | <b>CRU Tier</b> | <b>RoHS?</b> |
|--|-------------|-----------------|--------------|
| Russian/Cyrillic (models)                      | 41A5277     | 1               | Y            |
| Serbian/Cyrillic (models)                      | 41A5278     | 1               | Y            |
| Slovak (models)                                | 41A5279     | 1               | Y            |
| Spanish (models)                               | 41A5280     | 1               | Y            |
| Swedish/Finn (models)                          | 41A5281     | 1               | Y            |
| Swiss (models)                                 | 41A5282     | 1               | Y            |
| Turkish 440 (models)                           | 41A5284     | 1               | Y            |
| Turkish 179 (models)                           | 41A5285     | 1               | Y            |
| UK English (models)                            | 41A5286     | 1               | Y            |
| US Euro (models)                               | 41A5287     | 1               | Y            |
| Slovenian (models)                             | 41A5288     | 1               | Y            |

| <b>6487 Keyboards (UltraNav Fullsize USB Keyboard - Japan only)</b> | <b>FRU#</b> | <b>CRU Tier</b> | <b>RoHS?</b> |
|---|-------------|-----------------|--------------|
| Japan (models)  | 41A5091     | 1               | Y            |

| <b>6487 Keyboards (UltraNav Travel USB Keyboard - Japan only)</b> | <b>FRU#</b> | <b>CRU Tier</b> | <b>RoHS?</b> |
|---|-------------|-----------------|--------------|
| Japan (models)  | 41A5161     | 1               | Y            |

| <b>6487 mice</b>                                  | <b>FRU#</b> | <b>CRU Tier</b> | <b>RoHS?</b> |
|---|-------------|-----------------|--------------|
| Mouse, Optical Wheel (400DPI, USB) (models)       | 41U3013     | 1               | Y            |
| Mouse, Optical Wheel (400DPI, USB) (models)       | 41U3030     | 1               | Y            |
| Mouse, ScrollPoint Optical (800DPI, USB) (models) | 41U3019     | 1               | Y            |

| <b>6487 Wireless I/O</b>   | <b>FRU#</b> | <b>CRU Tier</b> | <b>RoHS?</b> |
|----------------------------|-------------|-----------------|--------------|
| Wireless Keyboard (models) | 41A5219     | 1               | Y            |
| Wireless Mouse (models)    | 41A5247     | 1               | Y            |
| Transceiver (USB) (models) | 41A5246     | 1               | Y            |

| <b>6487 Adapters and miscellaneous FRU</b>                           | <b>FRU#</b> | <b>CRU Tier</b> | <b>RoHS?</b> |
|--|-------------|-----------------|--------------|
| Speaker Power brick - US, Canada, LA low voltage, ASEAN (models GQS) | 89P8571     | 1               | Y            |
| Speaker Power brick - LA high voltage (non-APU) (models GQD)         | 89P8575     | 1               | Y            |
| Speaker Power brick - China, Thailand (models GQC GQT)               | 89P8581     | 1               | Y            |
| Speaker Power brick - Japan (models GQJ)                             | 89P8577     | 1               | Y            |
| Speaker Power brick - ANZ (models GQM)                               | 89P8579     | 1               | Y            |
| Speaker Brick - Korea (models GQK)                                   | 41A4903     | 1               | Y            |
| Speaker Brick - Hong Kong, EMEA (models GQB GQH GQG)                 | 89P8573     | 1               | Y            |

| <b>6487 Adapters and miscellaneous FRU</b>             | <b>FRU#</b> | <b>CRU Tier</b> | <b>RoHS?</b> |
|--|-------------|-----------------|--------------|
| Speaker Brick - Taiwan (models GQV)                    | 41A4905     | 1               | Y            |
| Speaker Power brick - India, South Africa (models GQQ) | 89P8585     | 1               | Y            |

| <b>6487 Power Cords</b>  | <b>FRU#</b> | <b>CRU Tier</b> | <b>RoHS?</b> |
|--|-------------|-----------------|--------------|
| Power cord - US (models GQU GQF GQS GQD GQY GQL GQA GQT)               | 39M5080     | 1               | Y            |
| Power cord - China (models GQC)  | 39M5205     | 1               | Y            |
| Power cord - Japan (models GQE GQJ)                                    | 39M5193     | 1               | Y            |
| Power cord - Brazil (models GQP)                                       | 39M5232     | 1               | Y            |
| Power cord - LA High Volt (APU) (models GQY GQL)                       | 39M5067     | 1               | Y            |
| Power cord - Australia/New Zealand (models GQM)                        | 39M5102     | 1               | Y            |
| Power cord - Korea (models GQK GQR)                                    | 39M5212     | 1               | Y            |
| Power cord - Hong Kong (models GQB GQH)                                | 39M5151     | 1               | Y            |
| Power cord - UK, Ireland, Singapore, Malaysia, Brunei (models GQG GQA) | 39M5150     | 1               | Y            |
| Power cord - Taiwan (models GQV)                                       | 39M5246     | 1               | Y            |
| Power cord - Italy (models GQS GQY GQL GQG)                            | 39M5164     | 1               | Y            |
| Line Cord - World Trade (models GQA)                                   | 39M5122     | 1               | Y            |
| Power cord - Switzerland (models GQG)                                  | 39M5157     | 1               | Y            |
| Power cord - Israel (models GQG)                                       | 39M5171     | 1               | Y            |
| Power cord - South Africa (models GQM GQA)                             | 39M5143     | 1               | Y            |
| Power cord - India (models GQQ)  | 39M5004     | 1               | Y            |

| <b>6487 Windows XP Home CDs</b> | <b>FRU#</b> | <b>CRU Tier</b> | <b>RoHS?</b> |
|---------------------------------|-------------|-----------------|--------------|
| US/UK/AP/TH (models)            | 42Y3242     | 1               | Y            |
| RE (models)                     | 42Y5548     | 1               | Y            |
| FR/CF (models)                  | 42Y4491     | 1               | Y            |
| GR (models)                     | 42Y4492     | 1               | Y            |
| SP/LA (models)                  | 42Y4493     | 1               | Y            |
| IT (models)                     | 42Y4494     | 1               | Y            |
| BR (models)                     | 42Y4495     | 1               | Y            |
| SV (models)                     | 42Y4496     | 1               | Y            |
| DK (models)                     | 42Y4497     | 1               | Y            |
| FI (models)                     | 42Y5549     | 1               | Y            |
| NO (models)                     | 42Y5550     | 1               | Y            |
| NL (models)                     | 42Y5551     | 1               | Y            |
| Korea (models)                  | 42T8651     | 1               | Y            |
| Simplified Chinese (models)     | 42T8657     | 1               | Y            |
| Taiwan - TC (models)            | 42T8663     | 1               | Y            |
| Hong Kong - TC (models)         | 42T8669     | 1               | Y            |
| Japanese (models)               | 42T8675     | 1               | Y            |

| 6487 Windows XP Home CDs | FRU#     | CRU Tier | RoHS? |
|--------------------------|----------|----------|-------|
| HE (models)              | 42Y5552  | 1        | Y     |
| PL (models)              | 42Y5553  | 1        | Y     |
| CZ (models)              | 42Y5554  | 1        | Y     |
| AE (models)              | 42Y5555  | 1        | Y     |
| RU (models)              | 42Y5556  | 1        | Y     |
| TR (models)              | 42Y5557  | 1        | Y     |
| HU (models)              | 42Y5558  | 1        | Y     |
| PO (models)              | 42Y5559  | 1        | Y     |
| GK (models)              | 42Y55560 | 1        | Y     |

| 6487 Windows XP Pro Recovery CDs                     | FRU#    | CRU Tier | RoHS? |
|--|---------|----------|-------|
| US/UK/AP/TH (models GQU GQG GQM GQA GQQ GQH GQR GQE) | 42Y3236 | 1        | Y     |
| RE (models GQG)                                      | 42Y5464 | 1        | Y     |
| FR/CF (models GQF GQG)                               | 42Y4449 | 1        | Y     |
| GR (models GQG)                                      | 42Y4450 | 1        | Y     |
| SP/LA (models GQG GQS GQD GQY)                       | 42Y4451 | 1        | Y     |
| IT (models GQG)                                      | 42Y4452 | 1        | Y     |
| BR (models GQP)                                      | 42Y4453 | 1        | Y     |
| SV (models GQG)                                      | 42Y4454 | 1        | Y     |
| DK (models GQG)                                      | 42Y4455 | 1        | Y     |
| FI (models GQG)                                      | 42Y5465 | 1        | Y     |
| NO (models GQG)                                      | 42Y5466 | 1        | Y     |
| NL (models GQG)                                      | 42Y5467 | 1        | Y     |
| Korea (models GQK)                                   | 42T8621 | 1        | Y     |
| Simplified Chinese (models GQC)                      | 42T8627 | 1        | Y     |
| Taiwan - TC (models GQV)                             | 42T8633 | 1        | Y     |
| Hong Kong - TC (models GQB)                          | 42T8639 | 1        | Y     |
| Japanese (models GQJ)                                | 42T8645 | 1        | Y     |
| HE (models GQG)                                      | 42Y5468 | 1        | Y     |
| PL (models GQG)                                      | 42Y5469 | 1        | Y     |
| CZ (models GQG)                                      | 42Y5470 | 1        | Y     |
| AE (models GQG)                                      | 42Y5471 | 1        | Y     |
| RU (models GQG)                                      | 42Y5472 | 1        | Y     |
| TR (models GQG)                                      | 42Y5473 | 1        | Y     |
| HU (models GQG)                                      | 42Y5474 | 1        | Y     |
| PO (models GQG)                                      | 42Y5475 | 1        | Y     |
| GK (models GQG)                                      | 42Y5476 | 1        | Y     |
| SL (models GQG)                                      | 42Y5477 | 1        | Y     |
| Multilingual 1 -- EN, NL, FR, GR, IT (models GQG)    | 42Y4533 | 1        | Y     |

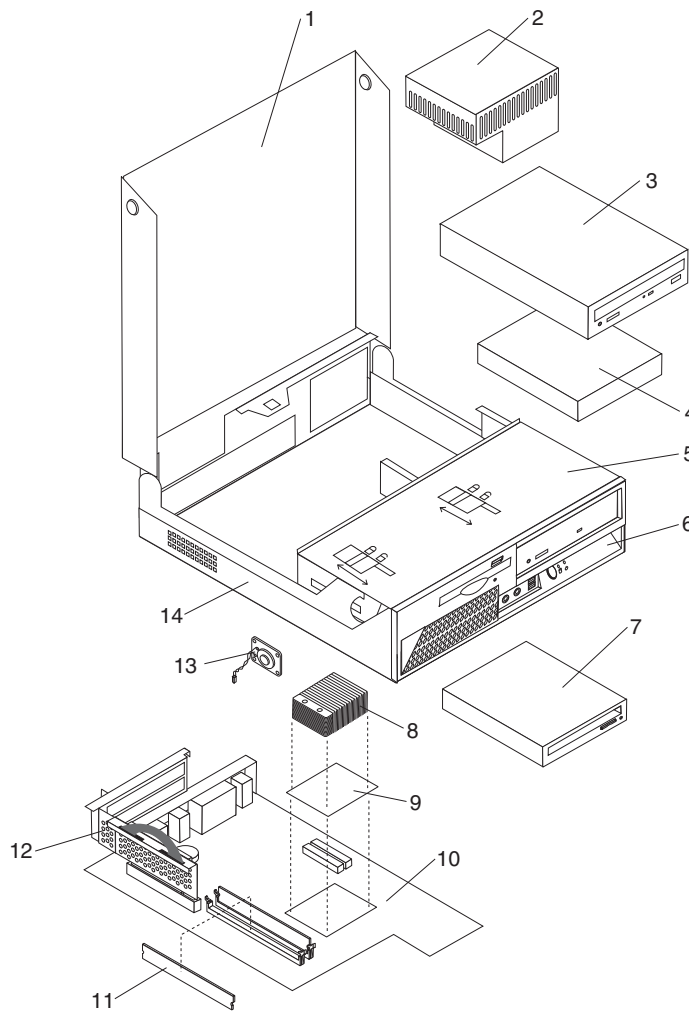
| <b>6487 Windows XP Pro Recovery CDs</b>           | <b>FRU#</b> | <b>CRU Tier</b> | <b>RoHS?</b> |
|---|-------------|-----------------|--------------|
| Multilingual 2 -- EN, DK, FI, NO, SV (models GQG) | 42Y5626     | 1               | Y            |

| <b>6487 Vista Home Basic 32 Recovery DVDs</b> | <b>FRU#</b> | <b>CRU Tier</b> |
|---|-------------|-----------------|
| US/UK/AP/TH (models)                          | 43C1440     | 1               |
| FR/CF (models)                                | 43C1441     | 1               |
| GR (models)                                   | 43C1442     | 1               |
| SP/LA (models)                                | 43C1443     | 1               |
| BR (models)                                   | 43C1444     | 1               |
| IT (models)                                   | 43C1445     | 1               |
| JP (models)                                   | 43C1446     | 1               |
| NO (models)                                   | 43C1447     | 1               |
| SV (models)                                   | 43C1448     | 1               |
| DK (models)                                   | 43C1449     | 1               |
| NL (models)                                   | 43C1450     | 1               |
| CZ (models)                                   | 43C1451     | 1               |
| FI (models)                                   | 43C1452     | 1               |
| PL (models)                                   | 43C1453     | 1               |
| RU (models)                                   | 43C1454     | 1               |
| TR (models)                                   | 43C1455     | 1               |
| HU (models)                                   | 43C1456     | 1               |
| GK (models)                                   | 43C1457     | 1               |
| PO (models)                                   | 43C1458     | 1               |
| CS (models)                                   | 43C1459     | 1               |
| TW (models)                                   | 43C1460     | 1               |
| HK (models)                                   | 43C1461     | 1               |
| KR (models)                                   | 43C1462     | 1               |
| SL (models)                                   | 43C1463     | 1               |
| RE (models)                                   | 43C1464     | 1               |

| <b>6487 Vista Business 32 Recovery DVDs</b> | <b>FRU#</b> | <b>CRU Tier</b> |
|---|-------------|-----------------|
| US/UK/AP/TH (models)                        | 43C1390     | 1               |
| FR/CF (models)                              | 43C1391     | 1               |
| GR (models)                                 | 43C1392     | 1               |
| SP/LA (models)                              | 43C1393     | 1               |
| BR (models)                                 | 43C1394     | 1               |
| IT (models)                                 | 43C1395     | 1               |
| JP (models)                                 | 43C1396     | 1               |
| NO (models)                                 | 43C1397     | 1               |
| SV (models)                                 | 43C1398     | 1               |
| DK (models)                                 | 43C1399     | 1               |

| <b>6487 Vista Business 32 Recovery DVDs</b> | <b>FRU#</b> | <b>CRU Tier</b> |
|---|-------------|-----------------|
| NL (models)                                 | 43C1400     | 1               |
| CZ (models)                                 | 43C1401     | 1               |
| FI (models)                                 | 43C1402     | 1               |
| PL (models)                                 | 43C1403     | 1               |
| RU (models)                                 | 43C1404     | 1               |
| TR (models)                                 | 43C1405     | 1               |
| HU (models)                                 | 43C1406     | 1               |
| GK (models)                                 | 43C1407     | 1               |
| PO (models)                                 | 43C1408     | 1               |
| CS (models)                                 | 43C1409     | 1               |
| TW (models)                                 | 43C1410     | 1               |
| HK (models)                                 | 43C1411     | 1               |
| KR (models)                                 | 43C1412     | 1               |
| SL (models)                                 | 43C1413     | 1               |
| RE (models)                                 | 43C1414     | 1               |

# Machine Type 6488



| Item # | 6488 FRUs  | FRU#    | CRU Tier | RoHS? |
|--------|--|---------|----------|-------|
| 1      | Cover (all models)   | 41R6220 | 1        | Y     |
| 2      | Power Supply - China (225 Watt) (models KWU KWF KWS KWP KWD KKY KWG KWM KWA KWR KWR)   | 41A9629 | 2        | Y     |
| 2      | Power Supply - China (225 Watt) (models KTQ KWQ KWC KWB KWH KWV)   | 41A9635 | 2        | Y     |
| 2      | Power Supply - Japan (225 Watt) (models KWE KWJ)   | 41A9632 | 2        | Y     |
| 3      | DVD-ROM 16X/48X - Black (models KWU KWF KWS KWP KWL KWD KKY KWG KWM KWA KWQ KWT KWC KWB KWH KWV KWK KWE KWR KWJ)                   | 41N3325 | 1        | Y     |
| 4      | Hard Disk Drive 80GB 7200 rpm Serial ATA (models KWU KWF KWS KWP KWL KWD KKY KWG KWM KWA KWQ KWT KWC KWB KWH KWV KWK KWE KWR KWJ)  | 40Y9034 | 1        | Y     |
| 4      | Hard Disk Drive 80GB 7200 rpm Serial ATA (models KWU KWF KWS KWP KWL KWD KKY KWG KWM KWA KWQ KWT KWC KWB KWH KWV KWK KWE KWR KWJ ) | 40Y8761 | 1        | Y     |
| 5      | Rotating bay assembly (all models)   | 03R0285 | 2        | Y     |

| Item # | 6488 FRUs   | FRU#    | CRU Tier | RoHS? |
|--------|---|---------|----------|-------|
| 6      | Bezel, Plastic Kit (models)   | 41A7718 | 2        | Y     |
| 7      | Slim Diskette Drive, 1.44 MB 3 mode (without FDD cable and bezel ) (models)   | 40Y9109 | 1        | Y     |
| 7      | Slim Diskette Drive, 1.44 MB 3 mode (without FDD cable and bezel ) (models)   | 40Y9111 | 1        | Y     |
| 8      | Heat Sink, (all models)   | 41A7705 | 2        | Y     |
| 9      | Microprocessor, Pentium E2140 800/1600MHZ-1M, LGA, EM64T (models KWU KWF KWS KWP KWL KWD KWy KWG KWM KWA KWQ KWT KWC KWB KWH KWV KWK KWE KWR KWJ) | 43C1967 | N        | Y     |
| 9      | Microprocessor, Pentium CONROE-L E2180 2.0GHz 800MHz FSB, 1M, EM64T (models)  | 45C1773 | N        | Y     |
| 9      | Microprocessor, Pentium CONROE-L E2220 2.4GHz 800MHz FSB, 1M, EM64T (models)  | 45C1774 | N        | Y     |
| 9      | Microprocessor, Core 2 Duo E4500 Processor 2.2GHz 800MHz FSB 2M (models)  | 43C6305 | N        | Y     |
| 10     | System Board (models KWU KWF KWS KWP KWL KWD KWy KWG KWM KWA KWQ KWT KWC KWB KWH KWV KWK KWE KWR KWJ)   | 43C7177 | 2        | Y     |
| 10     | System Board (models KWU KWF KWS KWP KWL KWD KWy KWG KWM KWA KWQ KWT KWC KWB KWH KWV KWK KWE KWR KWJ)   | 43C7176 | 2        | Y     |
| 10     | System Board IV - Bristol GF V3.1(ASUS)(SIT-RR) (models)  | 41T1435 | 2        | Y     |
| 10     | System Board IV -Bristol IAMT V3.3(ASUS)(SIT-RR) (models)   | 41T1431 | 2        | Y     |
| 10     | System Board IV-Bristol IAMT V3.3(GIGA)(GA)(No 820CPU issue) (models)   | 45C2305 | 2        | Y     |
| 11     | Memory - 1GB DDR2 SDRAM NP (PC 5300) (models KWU KWF KWS KWP KWL KWD KWy KWG KWM KWA KWQ KWT KWC KWB KWH KWV KWK KWE KWR KWJ)                     | 30R5126 | 1        | Y     |
| 11     | Memory - 1GB DDR2 SDRAM NP (PC 5300) (models KWU KWF KWS KWP KWL KWD KWy KWG KWM KWA KWQ KWT KWC KWB KWH KWV KWK KWE KWR KWJ)                     | 41X4252 | 1        | Y     |
| 12     | Riser card assembly (all models)  | 41A7730 | 1        | Y     |
| 13     | Speaker/cable assembly (all models)   | 39K5012 | 1        | Y     |
| 14     | Chassis (all models)  | 41A7717 | 2        | Y     |

The FRUs listed in the following table are not illustrated.

| 6488 FRUs  | FRU#    | CRU Tier | RoHS? |
|--|---------|----------|-------|
| Hard disk drive tray (all models)                | 03R0302 | 2        | Y     |
| Floor stand and vertical deflector (all models)  | 74P0404 | 2        | Y     |
| Internal plastic kit (all models)                | 26K1234 | 1        | Y     |
| Cable, SATA 18" (all models)                     | 26K1186 | 1        | Y     |
| Cable, second serial port, 250mm HP (all models) | 42Y8007 | 1        | Y     |
| Cable, SATA Device (all models)                  | 39K5026 | 1        | Y     |
| C2 Cable (Squall) (all models)                   | 39K5022 | 1        | Y     |
| Cable, PWR/LED (all models)                      | 26K1242 | 1        | Y     |

| 6488 FRUs   | FRU#    | CRU Tier | RoHS? |
|---|---------|----------|-------|
| Cable, Diskette Drive (all models)                      | 26K1248 | 1        | Y     |
| Fan assembly (all models)                               | 26K1253 | 2        | Y     |
| Universal Adapter Bracket 5.25 to 3.5-inch (all models) | 32P4743 | 1        | Y     |
| Retention module, tool less heat sink (all models)      | 26K1281 | 2        | Y     |
| Shield, system board (all models)                       | 41A7719 | 2        | Y     |
| Latch bar on cover (all models)                         | 41R6188 | 2        | Y     |

| 6488 Keyboards (USB Preferred - without hub)        | FRU#    | CRU Tier | RoHS? |
|---|---------|----------|-------|
| US English (models KWU KWG KWM KWA KWQ KWH KWR KWE) | 41A5289 | 1        | Y     |
| Arabic (models KWG)                                 | 41A5290 | 1        | Y     |
| Belgian/French (models KWG)                         | 41A5292 | 1        | Y     |
| Belgian/UK (models KWG)                             | 41A5293 | 1        | Y     |
| Brazilian (models KWP)                              | 41A5294 | 1        | Y     |
| Bulgarian (models KWG)                              | 41A5295 | 1        | Y     |
| Chinese/US (models KWB KWV)                         | 41A5296 | 1        | Y     |
| Czech (models KWG)                                  | 41A5297 | 1        | Y     |
| Danish (models KWG)                                 | 41A5298 | 1        | Y     |
| Dutch (models KWG)                                  | 41A5299 | 1        | Y     |
| French (models KWG)                                 | 41A5300 | 1        | Y     |
| French Canadian 445 (models KWF)                    | 41A5301 | 1        | Y     |
| French Canadian 58 (models KWF)                     | 41A5302 | 1        | Y     |
| German (models KWG)                                 | 41A5303 | 1        | Y     |
| Greek (models KWG)                                  | 41A5304 | 1        | Y     |
| Greek/US (models KWG)                               | 41A5305 | 1        | Y     |
| Hebrew (models KWG)                                 | 41A5306 | 1        | Y     |
| Hungarian (models KWG)                              | 41A5307 | 1        | Y     |
| Iceland (models KWG)                                | 41A5308 | 1        | Y     |
| Italian 141 (models KWG)                            | 41A5309 | 1        | Y     |
| Japanese (models KWJ)                               | 41A5310 | 1        | Y     |
| Korean (models KWK)                                 | 41A5311 | 1        | Y     |
| LA Spanish (models KWS KWD KWY)                     | 41A5312 | 1        | Y     |
| Norwegian (models KWG)                              | 41A5313 | 1        | Y     |
| Polish (models KWG)                                 | 41A5314 | 1        | Y     |
| Portuguese (models KWG)                             | 41A5315 | 1        | Y     |
| Romanian 096 (models KWG)                           | 41A5317 | 1        | Y     |
| Romanian 446 (models KWG)                           | 41A5316 | 1        | Y     |
| Russian/Cyrillic (models KWG)                       | 41A5318 | 1        | Y     |
| Serbian/Cyrillic (models KWG)                       | 41A5319 | 1        | Y     |
| Slovak (models KWG)                                 | 41A5320 | 1        | Y     |



| <b>6488 Keyboards (USB Preferred - without hub)</b> | <b>FRU#</b> | <b>CRU Tier</b> | <b>RoHS?</b> |
|---|-------------|-----------------|--------------|
| Spanish (models KWG)                                | 41A5321     | 1               | Y            |
| Swedish/Finn (models KWG)                           | 41A5322     | 1               | Y            |
| Swiss (models KWG)                                  | 41A5323     | 1               | Y            |
| Thailand (models KWT)                               | 41A5324     | 1               | Y            |
| Turkish 440 (models KWG)                            | 41A5325     | 1               | Y            |
| Turkish 179 (models KWG)                            | 41A5326     | 1               | Y            |
| UK English (models KWG)                             | 41A5327     | 1               | Y            |
| US Euro (models KWG)                                | 41A5328     | 1               | Y            |
| Slovenian (modelsKWG )                              | 41A5329     | 1               | Y            |

| <b>6488 Keyboards (USB, Productivity)</b> | <b>FRU#</b> | <b>CRU Tier</b> | <b>RoHS?</b> |
|---|-------------|-----------------|--------------|
| US English (models)                       | 41A4961     | 1               | Y            |
| Arabic (models)                           | 41A4962     | 1               | Y            |
| Arabic/French (models)                    | 41A4963     | 1               | Y            |
| Belgian/French (models)                   | 41A4964     | 1               | Y            |
| Belgian/UK (models)                       | 41A4965     | 1               | Y            |
| Brazilian (models)                        | 41A4966     | 1               | Y            |
| Bulgarian (models)                        | 41A4967     | 1               | Y            |
| Hong Kong/Taiwan (models)                 | 41A4968     | 1               | Y            |
| Czech (models)                            | 41A4969     | 1               | Y            |
| Danish (models)                           | 41A4970     | 1               | Y            |
| Dutch (models)                            | 41A4971     | 1               | Y            |
| French (models)                           | 41A4972     | 1               | Y            |
| French Canadian 445 (models)              | 41A4973     | 1               | Y            |
| French Canadian 58 (models)               | 41A4974     | 1               | Y            |
| German (models)                           | 41A4975     | 1               | Y            |
| Greek (models)                            | 41A4976     | 1               | Y            |
| Hebrew (models)                           | 41A4977     | 1               | Y            |
| Hungarian (models)                        | 41A4978     | 1               | Y            |
| Iceland (models)                          | 41A4979     | 1               | Y            |
| Italian (models)                          | 41A4980     | 1               | Y            |
| Japanese (models)                         | 41A4981     | 1               | Y            |
| Korean (models)                           | 41A4982     | 1               | Y            |
| LA Spanish (models)                       | 41A4983     | 1               | Y            |
| Norwegian (models)                        | 41A4984     | 1               | Y            |
| Polish (models)                           | 41A4985     | 1               | Y            |
| Portuguese (models)                       | 41A4986     | 1               | Y            |
| Romanian (models)                         | 41A4987     | 1               | Y            |
| Russian/Cy (models)                       | 41A4988     | 1               | Y            |

| <b>6488 Keyboards (USB, Productivity)</b> | <b>FRU#</b> | <b>CRU Tier</b> | <b>RoHS?</b> |
|---|-------------|-----------------|--------------|
| Serbian/Cyrillic (models)                 | 41A4989     | 1               | Y            |
| Slovak (models)                           | 41A4990     | 1               | Y            |
| Spanish (models)                          | 41A4991     | 1               | Y            |
| Swedish/Finn (models)                     | 41A4992     | 1               | Y            |
| Swiss F/G (models)                        | 41A4993     | 1               | Y            |
| Thailand (models)                         | 41A4994     | 1               | Y            |
| Turkish 440 (models)                      | 41A4995     | 1               | Y            |
| Turkish 179 (models)                      | 41A4996     | 1               | Y            |
| UK English (models)                       | 41A4997     | 1               | Y            |
| US Euro (models)                          | 41A4998     | 1               | Y            |
| Slovenian (models)                        | 41A4999     | 1               | Y            |

| <b>6488 Keyboards (Fingerprint Reader USB)</b> | <b>FRU#</b> | <b>CRU Tier</b> | <b>RoHS?</b> |
|--|-------------|-----------------|--------------|
| US English (models)                            | 41A5248     | 1               | Y            |
| Arabic (models)                                | 41A5249     | 1               | Y            |
| Arabic/French (models)                         | 41A5250     | 1               | Y            |
| Belgian/French (models)                        | 41A5251     | 1               | Y            |
| Belgian/UK (models)                            | 41A5252     | 1               | Y            |
| Brazil/Portuguese (models)                     | 41A5253     | 1               | Y            |
| Bulgarian (models)                             | 41A5254     | 1               | Y            |
| Chinese (models)                               | 41A5255     | 1               | Y            |
| Czech (models)                                 | 41A5256     | 1               | Y            |
| Danish (models)                                | 41A5257     | 1               | Y            |
| Dutch (models)                                 | 41A5258     | 1               | Y            |
| French (models)                                | 41A5259     | 1               | Y            |
| French Canadian 445 (models)                   | 41A5260     | 1               | Y            |
| French Canadian 58 (models)                    | 41A5261     | 1               | Y            |
| German (models)                                | 41A5262     | 1               | Y            |
| Greek (models)                                 | 41A5263     | 1               | Y            |
| Greek/US (models)                              | 41A5264     | 1               | Y            |
| Hebrew (models)                                | 41A5265     | 1               | Y            |
| Hungarian (models)                             | 41A5266     | 1               | Y            |
| Iceland (models)                               | 41A5267     | 1               | Y            |
| Italian 141 (models)                           | 41A5268     | 1               | Y            |
| Japanese (models)                              | 41A5269     | 1               | Y            |
| Korean (models)                                | 41A5270     | 1               | Y            |
| LA Spanish (models)                            | 41A5271     | 1               | Y            |
| Norwegian (models)                             | 41A5272     | 1               | Y            |
| Polish (models)                                | 41A5273     | 1               | Y            |

| <b>6488 Keyboards (Fingerprint Reader USB)</b> | <b>FRU#</b> | <b>CRU Tier</b> | <b>RoHS?</b> |
|--|-------------|-----------------|--------------|
| Portuguese (models)                            | 41A5274     | 1               | Y            |
| Romanian 096 (models)                          | 41A5275     | 1               | Y            |
| Romanian 446 (models)                          | 41A5276     | 1               | Y            |
| Russian/Cyrillic (models)                      | 41A5277     | 1               | Y            |
| Serbian/Cyrillic (models)                      | 41A5278     | 1               | Y            |
| Slovak (models)                                | 41A5279     | 1               | Y            |
| Spanish (models)                               | 41A5280     | 1               | Y            |
| Swedish/Finn (models)                          | 41A5281     | 1               | Y            |
| Swiss (models)                                 | 41A5282     | 1               | Y            |
| Turkish 440 (models)                           | 41A5284     | 1               | Y            |
| Turkish 179 (models)                           | 41A5285     | 1               | Y            |
| UK English (models)                            | 41A5286     | 1               | Y            |
| US Euro (models)                               | 41A5287     | 1               | Y            |
| Slovenian (models)                             | 41A5288     | 1               | Y            |

| <b>6488 Mice</b>                                | <b>FRU#</b> | <b>CRU Tier</b> | <b>RoHS?</b> |
|---|-------------|-----------------|--------------|
| Mouse, Optical Wheel (400DPI, USB) (all models) | 41U3013     | 1               | Y            |
| Mouse, Optical Wheel (400DPI, USB) (all models) | 41U3030     | 1               | Y            |

| <b>6488 Adapters and miscellaneous FRUs</b>                                  | <b>FRU#</b> | <b>CRU Tier</b> | <b>RoHS?</b> |
|--|-------------|-----------------|--------------|
| Speaker Power brick - US, Canada, LA low voltage, ASEAN (models KWA KWU KWS) | 89P8571     | 1               | Y            |
| Speaker Power brick - LA high voltage (non-APU) (models KWD)                 | 89P8575     | 1               | Y            |
| Speaker Power brick - China, Thailand (models KWC)                           | 89P8581     | 1               | Y            |
| Speaker Power brick - Japan (models KWE KWJ)                                 | 89P8577     | 1               | Y            |
| Speaker Power brick - ANZ (models KWM)                                       | 89P8579     | 1               | Y            |
| Speaker Brick - Korea (models KWK)   | 41A4903     | 1               | Y            |
| Speaker Brick - Hong Kong, EMEA (models KWK KWR KWG)                         | 89P8573     | 1               | Y            |
| Speaker Brick - Taiwan (models KWV)  | 41A4905     | 1               | Y            |

| <b>6488 Power Cords</b>                               | <b>FRU#</b> | <b>CRU Tier</b> | <b>RoHS?</b> |
|---|-------------|-----------------|--------------|
| Power cord - US (models KWU KWF KWS KWD KWL KWA KWT ) | 39M5080     | 1               | Y            |
| Power cord - China (models KWC)                       | 39M5205     | 1               | Y            |
| Power cord - Japan (models KWE KWJ)                   | 39M5193     | 1               | Y            |
| Power cord - Brazil (models KWP)                      | 39M5232     | 1               | Y            |
| Power cord - LA High Volt (APU) (models KWY KWL)      | 39M5067     | 1               | Y            |
| Power cord - Australia/New Zealand (models KWM)       | 39M5102     | 1               | Y            |
| Power cord - Korea (models KWK)                       | 39M5212     | 1               | Y            |

| <b>6488 Power Cords</b>  | <b>FRU#</b> | <b>CRU Tier</b> | <b>RoHS?</b> |
|--|-------------|-----------------|--------------|
| Power cord - Hong Kong (models KWB KWH)                                | 39M5151     | 1               | Y            |
| Power cord - UK, Ireland, Singapore, Malaysia, Brunei (models KWG KWA) | 39M5150     | 1               | Y            |
| Power cord - Taiwan (models KWV)                                       | 39M5246     | 1               | Y            |
| Power cord - Italy (models KWS KQY KWL KWG)                            | 39M5164     | 1               | Y            |
| Power cord - World Trade (models KWA)                                  | 39M5122     | 1               | Y            |
| Power cord - Denmark (models KWG)                                      | 39M5129     | 1               | Y            |
| Power cord - Switzerland (models KWG)                                  | 39M5157     | 1               | Y            |
| Power cord - Israel (models KWG)                                       | 39M5171     | 1               | Y            |
| Power cord - South Africa (models KWG KWM KWA)                         | 39M5143     | 1               | Y            |
| Power cord - India (models KWQ)  | 39M5004     | 1               | Y            |

| <b>6488 Windows XP Home CDs</b> | <b>FRU#</b> | <b>CRU Tier</b> | <b>RoHS?</b> |
|---------------------------------|-------------|-----------------|--------------|
| US/UK/AP/TH (models)            | 42Y3242     | 1               | Y            |
| RE (models)                     | 42Y5548     | 1               | Y            |
| FR/CF (models)                  | 42Y4491     | 1               | Y            |
| GR (models)                     | 42Y4492     | 1               | Y            |
| SP/LA (models)                  | 42Y4493     | 1               | Y            |
| IT (models)                     | 42Y4494     | 1               | Y            |
| BR (models)                     | 42Y4495     | 1               | Y            |
| SV (models)                     | 42Y4496     | 1               | Y            |
| DK (models)                     | 42Y4497     | 1               | Y            |
| FI (models)                     | 42Y5549     | 1               | Y            |
| NO (models)                     | 42Y5550     | 1               | Y            |
| NL (models)                     | 42Y5551     | 1               | Y            |
| Korea (models)                  | 42T8651     | 1               | Y            |
| Simplified Chinese (models)     | 42T8657     | 1               | Y            |
| Taiwan - TC (models)            | 42T8663     | 1               | Y            |
| Hong Kong - TC (models)         | 42T8669     | 1               | Y            |
| Japanese (models)               | 42T8675     | 1               | Y            |
| HE (models)                     | 42Y5552     | 1               | Y            |
| PL (models)                     | 42Y5553     | 1               | Y            |
| CZ (models)                     | 42Y5554     | 1               | Y            |
| AE (models)                     | 42Y5555     | 1               | Y            |
| RU (models)                     | 42Y5556     | 1               | Y            |
| TR (models)                     | 42Y5557     | 1               | Y            |
| HU (models)                     | 42Y5558     | 1               | Y            |
| PO (models)                     | 42Y5559     | 1               | Y            |
| GK (models)                     | 42Y55560    | 1               | Y            |

| 6488 Windows XP Pro Recovery CDs                     | FRU#    | CRU Tier | RoHS? |
|--|---------|----------|-------|
| US/UK/AP/TH (models KWU KWG KWM KWA KWQ KWH KWR KWE) | 42Y3236 | 1        | Y     |
| RE (models KWG)                                      | 42Y5464 | 1        | Y     |
| FR/CF (models KWF KWG)                               | 42Y4449 | 1        | Y     |
| GR (models KWG)                                      | 42Y4450 | 1        | Y     |
| SP/LA (models KWS KWD KWY)                           | 42Y4451 | 1        | Y     |
| IT (models KWG)                                      | 42Y4452 | 1        | Y     |
| BR (models KWP)                                      | 42Y4453 | 1        | Y     |
| SV (models KWG)                                      | 42Y4454 | 1        | Y     |
| DK (models KWG)                                      | 42Y4455 | 1        | Y     |
| FI (models KWG)                                      | 42Y5465 | 1        | Y     |
| NO (models KWG)                                      | 42Y5466 | 1        | Y     |
| NL (models KWG)                                      | 42Y5467 | 1        | Y     |
| Korea (models KWK)                                   | 42T8621 | 1        | Y     |
| Simplified Chinese (models KWC)                      | 42T8627 | 1        | Y     |
| Taiwan - TC (models KWV)                             | 42T8633 | 1        | Y     |
| Hong Kong - TC (models KWB)                          | 42T8639 | 1        | Y     |
| Japanese (models KWJ)                                | 42T8645 | 1        | Y     |
| HE (models KWG)                                      | 42Y5468 | 1        | Y     |
| PL (models KWG)                                      | 42Y5469 | 1        | Y     |
| CZ (models KWG)                                      | 42Y5470 | 1        | Y     |
| AE (models KWG)                                      | 42Y5471 | 1        | Y     |
| RU (models KWG)                                      | 42Y5472 | 1        | Y     |
| TR (models KWG)                                      | 42Y5473 | 1        | Y     |
| HU (models KWG)                                      | 42Y5474 | 1        | Y     |
| PO (models KWG)                                      | 42Y5475 | 1        | Y     |
| GK (models KWG)                                      | 42Y5476 | 1        | Y     |
| SL (models KWG)                                      | 42Y5477 | 1        | Y     |
| Multilingual 1 -- EN, NL, FR, GR, IT (models KWG)    | 42Y4533 | 1        | Y     |
| Multilingual 2 -- EN, DK, FI, NO, SV (models KWG)    | 42Y5626 | 1        | Y     |

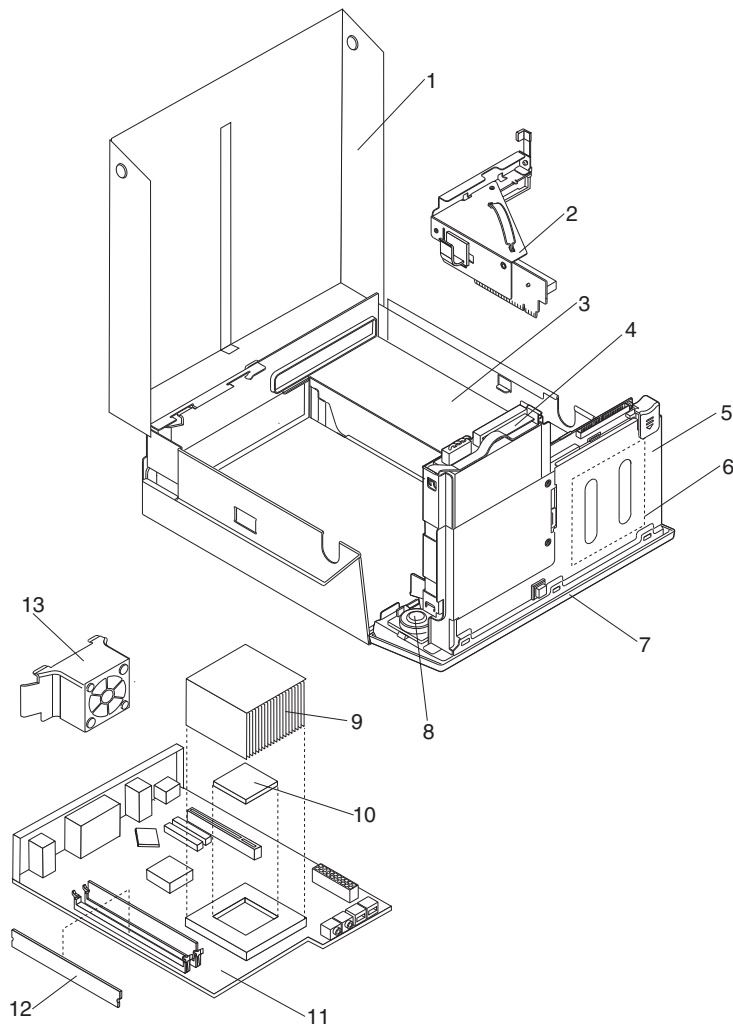
| 6488 Vista Home Basic 32 Recovery DVDs | FRU#    | CRU Tier |
|--|---------|----------|
| US/UK/AP/TH (models)                   | 43C1440 | 1        |
| FR/CF (models)                         | 43C1441 | 1        |
| GR (models)                            | 43C1442 | 1        |
| SP/LA (models)                         | 43C1443 | 1        |
| BR (models)                            | 43C1444 | 1        |
| IT (models)                            | 43C1445 | 1        |
| JP (models)                            | 43C1446 | 1        |
| NO (models)                            | 43C1447 | 1        |
| SV (models)                            | 43C1448 | 1        |

| 6488 Vista Home Basic 32 Recovery DVDs | FRU#    | CRU Tier |
|--|---------|----------|
| DK (models)                            | 43C1449 | 1        |
| NL (models)                            | 43C1450 | 1        |
| CZ (models)                            | 43C1451 | 1        |
| FI (models)                            | 43C1452 | 1        |
| PL (models)                            | 43C1453 | 1        |
| RU (models)                            | 43C1454 | 1        |
| TR (models)                            | 43C1455 | 1        |
| HU (models)                            | 43C1456 | 1        |
| GK (models)                            | 43C1457 | 1        |
| PO (models)                            | 43C1458 | 1        |
| CS (models)                            | 43C1459 | 1        |
| TW (models)                            | 43C1460 | 1        |
| HK (models)                            | 43C1461 | 1        |
| KR (models)                            | 43C1462 | 1        |
| SL (models)                            | 43C1463 | 1        |
| RE (models)                            | 43C1464 | 1        |

| 6488 Vista Business 32 Recovery DVDs | FRU#    | CRU Tier |
|--------------------------------------|---------|----------|
| US/UK/AP/TH (models)                 | 43C1390 | 1        |
| FR/CF (models)                       | 43C1391 | 1        |
| GR (models)                          | 43C1392 | 1        |
| SP/LA (models)                       | 43C1393 | 1        |
| BR (models)                          | 43C1394 | 1        |
| IT (models)                          | 43C1395 | 1        |
| JP (models)                          | 43C1396 | 1        |
| NO (models)                          | 43C1397 | 1        |
| SV (models)                          | 43C1398 | 1        |
| DK (models)                          | 43C1399 | 1        |
| NL (models)                          | 43C1400 | 1        |
| CZ (models)                          | 43C1401 | 1        |
| FI (models)                          | 43C1402 | 1        |
| PL (models)                          | 43C1403 | 1        |
| RU (models)                          | 43C1404 | 1        |
| TR (models)                          | 43C1405 | 1        |
| HU (models)                          | 43C1406 | 1        |
| GK (models)                          | 43C1407 | 1        |
| PO (models)                          | 43C1408 | 1        |
| CS (models)                          | 43C1409 | 1        |
| TW (models)                          | 43C1410 | 1        |
| HK (models)                          | 43C1411 | 1        |
| KR (models)                          | 43C1412 | 1        |

| 6488 Vista Business 32 Recovery DVDs | FRU#    | CRU Tier |
|--------------------------------------|---------|----------|
| SL (models)                          | 43C1413 | 1        |
| RE (models)                          | 43C1414 | 1        |

## Machine Type 8009



| Item # | 8009 FRUs   | FRU#    | CRU Tier | RoHS? |
|--------|---|---------|----------|-------|
| 1      | Top Cover (models D2J D3J 81J 82J 83J 84J 85J 86J 91J 92J D5J E1K E2J)                        | 89P6782 | 1        | Y     |
| 2      | PCI Riser Card Bracket Asm (all models)   | 41N8276 | 1        | Y     |
| 2      | Pocono Interposal Card (all models)   | 41R2902 | 1        | Y     |
| 2      | Riser Card Bracket Asm, Flippable PCI and PCIX/DVI, RoHS (all models)                         | 39M0618 | 1        | Y     |
| 3      | Power Supply, 225 Watt Power Supply (models CTO B1G D1G E1K DCK)                              | 41N3105 | N        | Y     |
| 3      | Power Supply, 225 Watt Power Supply (models)  | 41A9735 | N        | Y     |
| 4      | Hard disk drive 80GB 7200rpm Serial ATA, (models CTO B1G D1G D2J D3J B2J B3J DBJ)             | 40Y9034 | 1        | Y     |
| 4      | Hard disk drive 80GB 7200rpm Serial ATA, (models CTO B1G D1G D2J D3J B2J B3J DBJ)             | 40Y8761 | 1        | Y     |
| 4      | Hard disk drive 160GB 7200rpm Serial ATA (models CTO 81J 82J 83J 84J 85J 86J D4J D5J E1K DCK) | 40Y9035 | 1        | Y     |
| 4      | Hard disk drive 160GB 7200rpm Serial ATA (models CTO 81J 82J 83J 84J 85J 86J D4J D5J E1K DCK) | 40Y8762 | 1        | Y     |
| 4      | Hard disk drive 250GB 7200rpm Serial ATA (models CTO 91J 92J E2J)                             | 40Y9036 | 1        | Y     |



| Item # | 8009 FRUs  | FRU#    | CRU Tier | RoHS? |
|--------|--|---------|----------|-------|
| 4      | Hard disk drive 250GB 7200rpm Serial ATA (models CTO 91J 92J E2J)                                      | 40Y8763 | 1        | Y     |
| 4      | Hard disk drive 500GB 7200rpm Serial ATA (models CTO)  | 41X5582 | 1        | Y     |
| 5      | Front Rotating Cage assembly (all models)  | 41N5315 | 2        | Y     |
| 6      | CD-RW/DVD-ROM Combo Drive 48X/32X/48X/16X Max--vista and nonvista (models CTO B1G D1G D2J 81J DBJ DCK) | 87H4936 | 1        | Y     |
| 6      | CD-RW/DVD-ROM Combo Drive 48X/32X/48X/16X Max--vista and nonvista (models CTO B1G D1G D2J 81J DBJ DCK) | 43C5016 | 1        | Y     |
| 6      | CD-RW/DVD-ROM Combo Drive 48X/32X/48X/16X Max-nonvista / vista (models CTO B1G D1G D2J 81J DBJ DCK)    | 43C2648 | 1        | Y     |
| 6      | CD-RW/DVD-ROM Combo Drive 48X/32X/48X/16X Max-nonvista / vista (models CTO B1G D1G D2J 81J DBJ DCK)    | 43C2649 | 1        | Y     |
| 6      | DVD-RW/CD-RW Rambo 5 - IDE-vista (models CTO 83J 84J 91J 92J)  | 87H4937 | 1        | Y     |
| 6      | DVD-RW/CD-RW - IDE (models CTO 83J 84J 91J 92J)  | 41N3355 | 1        | Y     |
| 6      | DVD-RW/CD-RW Rambo 5 - IDE (models CTO 83J 84J 91J 92J )   | 43C0053 | 1        | Y     |
| 6      | DVD-RW/CD-RW Rambo 5 - IDE--vista and nonvista (models CTO 83J 84J 91J 92J )                           | 42Y3910 | 1        | Y     |
| 7      | Front Bezel (all models)   | 41N5316 | 1        | Y     |
| 8      | Speaker and Cable assembly (all models)  | 39K5012 | 1        | Y     |
| 9      | Heat Sink (all models)   | 41A7711 | 2        | Y     |
| 10     | Microprocessor, Pentium 4 3.06 GHz 533 FSB 1MB L2 (models CTO)   | 41T4104 | N        | Y     |
| 10     | Microprocessor, Pentium 4 3.0 GHz 800 FSB 1MB L2 (models CTO)  | 41T1701 | N        | Y     |
| 10     | Microprocessor, Pentium 4 3.2 GHz 800 FSB 1MB L2 (models CTO)  | 41T1702 | N        | Y     |
| 10     | Microprocessor, Pentium 4 3.0 GHz 800 FSB 2MB L2 (models CTO)  | 41T1712 | N        | Y     |
| 10     | Microprocessor, Pentium 4 3.2 GHz 800 FSB 2MB L2 (models CTO)  | 41T1713 | N        | Y     |
| 10     | Microprocessor, Pentium 4 3.4 GHz 800 FSB 2MB L2 (models CTO)  | 41T1714 | N        | Y     |
| 10     | Microprocessor, Pentium 4 3.6 GHz 800 FSB 2MB L2 (models CTO)  | 41T1715 | N        | Y     |
| 10     | Microprocessor, Pentium D 2.8 GHz 800 FSB 1MB L2 (models CTO)  | 41T1704 | N        | Y     |
| 10     | Microprocessor, Pentium D 2.8 GHz 800 FSB 2MB L2 (models CTO 81J 82J 83J 84J 85J 86J)                  | 41X7775 | N        | Y     |
| 10     | Microprocessor, Pentium D 3.0 GHz 800 FSB 2Mx2 L2 (models CTO D4J D5J)                                 | 41X2413 | N        | Y     |
| 10     | Microprocessor, Pentium D 3.0 GHz 800 FSB 2Mx2 L2 (models CTO)   | 41T1717 | N        | Y     |
| 10     | Microprocessor, Pentium D 3.2 GHz 800 FSB 2Mx2 L2 (models CTO E1K)                                     | 41X8050 | N        | Y     |
| 10     | Microprocessor, Pentium D 3.4 GHz 800 FSB 2Mx2 L2 (models CTO)   | 41X7776 | N        | Y     |
| 10     | Microprocessor, Pentium E2140 800/1600MHZ-1M, LGA, EM64T (models CTO DCK)                              | 43C1967 | N        | Y     |
| 10     | Microprocessor, Pentium E2160 800/1800MHZ-1M, LGA, EM64T (models CTO)                                  | 43C1968 | N        | Y     |
| 10     | Microprocessor, Pentium CONROE-L E2180 2.0GHz 800MHz FSB, 1M, EM64T (models)                           | 45C1773 | N        | Y     |
| 10     | Microprocessor, Pentium CONROE-L E2220 2.4GHz 800MHz FSB, 1M, EM64T (models)                           | 45C1774 | N        | Y     |
| 10     | Microprocessor, Core 2 Duo E4500 Processor 2.2GHz 800MHz FSB 2M (models)                               | 43C6305 | N        | Y     |

| Item # | 8009 FRUs   | FRU#    | CRU Tier | RoHS? |
|--------|---|---------|----------|-------|
| 10     | Microprocessor, Conroe E6300 Processor 1.86GHz 1066MHz FSB 2M L2 (models CTO 91J 92J E2J)                 | 41X2495 | N        | Y     |
| 10     | Microprocessor, Core 2 Duo E6320 1.86GHz 1066MHz FSB 4M B2 (models CTO)                                   | 43C3829 | N        | Y     |
| 10     | Microprocessor, Conroe E6400 Processor 2.13GHz 1066MHz FSB 2M L2 (models CTO)                             | 41X2496 | N        | Y     |
| 10     | Microprocessor, Core 2 Duo E6420 Processor 2.13GHz 1066MHz FSB 4M B2 (models CTO)                         | 43C3831 | N        | Y     |
| 10     | Microprocessor, Conroe E6600 Processor 2.4GHz 1066MHz FSB 4M L2 (models CTO)                              | 41X5743 | N        | Y     |
| 10     | Microprocessor, Conroe E6700 Processor 2.67GHz 1066MHz FSB 4M L2 (models CTO)                             | 41X5744 | N        | Y     |
| 10     | Microprocessor, Celeron D 2.66GHz 533MHz FSB 256KB L2 (models CTO)  | 41T1694 | N        | Y     |
| 10     | Microprocessor, Celeron D 2.80GHz 533MHz FSB 256KB L2 (models CTO)  | 41T1695 | N        | Y     |
| 10     | Microprocessor, Celeron D 3.06GHz 533MHz FSB 256KB L2 (models CTO D1G D2J D3J)                            | 41T1697 | N        | Y     |
| 10     | Microprocessor, Celeron D 3.06GHz 533MHz FSB 512KB L2 (models CTO)  | 42Y8530 | N        | Y     |
| 10     | Microprocessor, Celeron D 3.20GHz 533MHz FSB 256KB L2 (models CTO B1G)                                    | 41T1698 | N        | Y     |
| 10     | Microprocessor, Celeron D 3.20GHz 533MHz FSB 512KB L2 (models CTO B2J B3J)                                | 41T4966 | N        | Y     |
| 10     | Microprocessor, Celeron D 3.33GHz 533MHz FSB 512KB L2 (models CTO B1G)                                    | 41T4968 | N        | Y     |
| 10     | Microprocessor, Celeron 420 800/1600MHZ-512K,LGA,EM64T A1 (models CTO DBJ)                                | 43C3835 | N        | Y     |
| 10     | Microprocessor, Celeron 430 800/1800MHZ-512K,LGA,EM64T A1 (models CTO)                                    | 43C1964 | N        | Y     |
| 10     | Microprocessor, Celeron 440 800/1800MHZ-512K,LGA,EM64T A1 (models CTO)                                    | 43C1965 | N        | Y     |
| 10     | Microprocessor, Core 2 Duo E4300 1.8GHz 800MHz FSB 2M L2 (models CTO)                                     | 42Y8009 | N        | Y     |
| 10     | Microprocessor, Core 2 Duo E4400 2.0GHz 800MHz FSB 2M L2 (models CTO)                                     | 43C2056 | N        | Y     |
| 11     | System board (models CTO B1G D1G D2J D3J 81J 82J 83J 84J 85J 86J 91J 92J B2J B3J D4J D5J E1K E2J DBJ DCK) | 43C7181 | 2        | Y     |
| 12     | Memory - 512MB DDR2 SDRAM NP Memory (PC 4200) (models CTO)  | 30R5121 | 1        | Y     |
| 12     | Memory - 512MB DDR2 SDRAM NP Memory (PC 4200) (models CTO)  | 41X4251 | 1        | Y     |
| 12     | Memory - 1GB DDR2 SDRAM NP Memory (PC 4200) (models CTO)  | 30R5122 | 1        | Y     |
| 12     | Memory - 2GB DDR2 SDRAM NP Memory (PC 4200) (models CTO)  | 30R5123 | 1        | Y     |
| 12     | Memory - 512MB DDR2 SDRAM NP (PC 5300) (models CTO B1G D1G D2J D3J B2J B3J D4J D5J E1K E2J DBJ)           | 30R5125 | 1        | Y     |
| 12     | Memory - 1GB DDR2 SDRAM NP (PC 5300) (models CTO 81J 82J 83J 84J 85J 86J 91J 92J DCK)                     | 30R5126 | 1        | Y     |
| 12     | Memory - 2GB DDR2 SDRAM NP (PC 5300) (models CTO)   | 30R5127 | 1        | Y     |
| 12     | Memory - 512MB DDR2 SDRAM NP Memory (PC 6400) (models CTO)  | 41X1079 | 1        | Y     |
| 12     | Memory - 1GB DDR2 SDRAM NP Memory (PC 6400) (models CTO)  | 41X1080 | 1        | Y     |

| Item # | 8009 FRUs  | FRU#    | CRU Tier | RoHS? |
|--------|--|---------|----------|-------|
| 12     | Memory - 2GB DDR2 SDRAM NP Memory (PC 6400) (models CTO) | 41X1081 | 1        | Y     |
| 13     | Rear exhaust fan (all models)                            | 39M0551 | 1        | Y     |

The FRUs listed in the following table are not illustrated.

| 8009 FRUs  | FRU#    | CRU Tier | RoHS? |
|--|---------|----------|-------|
| Bezel, Ultra-Bay-Enhanced (all models)                                     | 89P6804 | 1        | Y     |
| HSS Tray assembly (includes grommet/pins/brkt/ground springs) (all models) | 89P6778 | 1        | Y     |
| Power/LED cable assembly with bracket (all models)                         | 39K5055 | 2        | Y     |
| Chassis and cover assembly (all models)                                    | 41N5314 | 2        | Y     |
| Cable, SATA hard disk drive and optical drive (all models)                 | 39K5061 | 1        | Y     |
| Ultra Bay Enhanced Cable/Card Assembly (all models)                        | 41N5305 | 2        | Y     |
| Fan assembly, front (all models)   | 41R6359 | 1        | Y     |
| Chassis Intrusion Switch-C2 Cable-Switch (models CTO)                      | 39K5022 | 1        | Y     |
| Vertical stand (all models)  | 89P6792 | 1        | Y     |
| Rear air deflector (all models)  | 89P6793 | 1        | Y     |
| Miscellaneous hardware kit (all models)                                    | 89P6794 | 1        | Y     |
| Plastic parts kit (all models)   | 39M0575 | 2        | Y     |
| Battery 3.0V (all models)  | 33F8354 | 1        | Y     |
| Underdesk Mounting Kit (all models)  | 39M0599 | 1        | Y     |
| Thermal Sense cable (850 mm) (all models)                                  | 41R2511 | 1        | Y     |

| 8009 Keyboards (USB Preferred - without hub) | FRU#    | CRU Tier | RoHS? |
|--|---------|----------|-------|
| US English (models B1G D1G)                  | 41A5289 | 1        | Y     |
| Arabic (models B1G D1G)                      | 41A5290 | 1        | Y     |
| Arabic/French (models B1G D1G)               | 41A5291 | 1        | Y     |
| Belgian/French (models B1G D1G)              | 41A5292 | 1        | Y     |
| Belgian/UK (models B1G D1G)                  | 41A5293 | 1        | Y     |
| Bulgarian (models B1G D1G)                   | 41A5295 | 1        | Y     |
| Czech (models B1G D1G)                       | 41A5297 | 1        | Y     |
| Danish (models B1G D1G)                      | 41A5298 | 1        | Y     |
| Dutch (models B1G D1G)                       | 41A5299 | 1        | Y     |
| French (models B1G D1G)                      | 41A5300 | 1        | Y     |
| German (models B1G D1G)                      | 41A5303 | 1        | Y     |
| Greek (models B1G D1G)                       | 41A5304 | 1        | Y     |
| Greek/US (models B1G D1G)                    | 41A5305 | 1        | Y     |
| Hebrew (models B1G D1G)                      | 41A5306 | 1        | Y     |
| Hungarian (models B1G D1G)                   | 41A5307 | 1        | Y     |
| Iceland (models B1G D1G)                     | 41A5308 | 1        | Y     |

| <b>8009 Keyboards (USB Preferred - without hub)</b> | <b>FRU#</b> | <b>CRU Tier</b> | <b>RoHS?</b> |
|---|-------------|-----------------|--------------|
| Italian 141 (models B1G D1G)                        | 41A5309     | 1               | Y            |
| Japanese (models B2J B3J D4J E2J)                   | 41A5310     | 1               | Y            |
| Korean (models E1K DCK)                             | 41A5311     | 1               | Y            |
| Norwegian (models B1G D1G)                          | 41A5313     | 1               | Y            |
| Polish (models B1G D1G)                             | 41A5314     | 1               | Y            |
| Portuguese (models B1G D1G)                         | 41A5315     | 1               | Y            |
| Romanian 096 (models B1G D1G)                       | 41A5317     | 1               | Y            |
| Romanian 446 (models B1G D1G)                       | 41A5316     | 1               | Y            |
| Russian/Cyrillic (models B1G D1G)                   | 41A5318     | 1               | Y            |
| Serbian/Cyrillic (models B1G D1G)                   | 41A5319     | 1               | Y            |
| Slovak (models B1G D1G)                             | 41A5320     | 1               | Y            |
| Spanish (models B1G D1G)                            | 41A5321     | 1               | Y            |
| Swedish/Finn (models B1G D1G)                       | 41A5322     | 1               | Y            |
| Swiss (models B1G D1G)                              | 41A5323     | 1               | Y            |
| Turkish 440 (models B1G D1G)                        | 41A5325     | 1               | Y            |
| Turkish 179 (models B1G D1G)                        | 41A5326     | 1               | Y            |
| UK English (models B1G D1G)                         | 41A5327     | 1               | Y            |
| US Euro (models B1G D1G)                            | 41A5328     | 1               | Y            |
| Slovenian (models B1G D1G)                          | 41A5329     | 1               | Y            |

| <b>8009 Keyboards (USB Preferred - with hub)</b> | <b>FRU#</b> | <b>CRU Tier</b> | <b>RoHS?</b> |
|--|-------------|-----------------|--------------|
| French Canadian 445 (models CTO-U)               | 41A4973     | 1               | Y            |
| French Canadian 58 (models CTO-U)                | 41A4974     | 1               | Y            |
| Japanese (models DBJ)                            | 41A4981     | 1               | Y            |

| <b>8009 Keyboards (Fingerprint Reader USB)</b>                | <b>FRU#</b> | <b>CRU Tier</b> | <b>RoHS?</b> |
|---|-------------|-----------------|--------------|
| Brazil/Portuguese (models CTO-L)                              | 41A5253     | 1               | Y            |
| French Canadian 445 (models CTO-U)                            | 41A5260     | 1               | Y            |
| French Canadian 58 (models CTO-U)                             | 41A5261     | 1               | Y            |
| Japanese (models D2J D3J 81J 82J 83J 84J 85J 86J 91J 92J D5J) | 41A5269     | 1               | Y            |
| Korean (models CTO-A)   | 41A5270     | 1               | Y            |
| LA Spanish (models CTO-L)                                     | 41A5271     | 1               | Y            |
| Thailand (models CTO-A)                                       | 41A5283     | 1               | Y            |

| <b>8009 Keyboards (UltraNav Fullsize USB Keyboard - Japan only)</b> | <b>FRU#</b> | <b>CRU Tier</b> | <b>RoHS?</b> |
|---|-------------|-----------------|--------------|
| Japan (models CTO-A)  | 41A5091     | 1               | Y            |

| 8009 Keyboards (UltraNav Travel USB Keyboard - Japan only) | FRU#    | CRU Tier | RoHS? |
|--|---------|----------|-------|
| Japan (models CTO-A)                                       | 41A5161 | 1        | Y     |

| 8009 Mice   | FRU#    | CRU Tier | RoHS? |
|---|---------|----------|-------|
| Mouse, Optical Wheel (400DPI, USB) (models CTO B1G D1G D2J D3J 81J 82J 83J 84J 85J 86J 91J 92J B2J B3J D4J D5J E1K E2J DBJ DCK) | 41U3013 | 1        | Y     |
| Mouse, ScrollPoint Optical (800DPI, USB) (models CTO)   | 41U3019 | 1        | Y     |
| Mouse, Optical Wheel (400DPI, USB) (models CTO B1G D1G D2J D3J 81J 82J 83J 84J 85J 86J 91J 92J B2J B3J D4J D5J E1K E2J DBJ DCK) | 41U3030 | 1        | Y     |

| 8009 Wireless I/O              | FRU#    | CRU Tier | RoHS? |
|--------------------------------|---------|----------|-------|
| Wireless Keyboard (models CTO) | 41A5219 | 1        | Y     |
| Wireless Mouse (models CTO)    | 41A5247 | 1        | Y     |
| Transceiver (USB) (models CTO) | 41A5246 | 1        | Y     |

| 8009 Adapters and miscellaneous FRUs                     | FRU#    | CRU Tier | RoHS? |
|--|---------|----------|-------|
| PCI-E DVI-DConnection Adapter (Full Height) (models CTO) | 39J9334 | 1        | Y     |
| IEEE 1394 Firewire Adapter - full height (models CTO)    | 41D2781 | 1        | Y     |
| Speakers, Lenovo (models CTO)                            | 41A5334 | 1        | Y     |
| Thermal Grease Syringe (models CTO B1G D1G)              | 91P8835 | 1        | Y     |

| 8009 Power Cords  | FRU#    | CRU Tier | RoHS? |
|---|---------|----------|-------|
| Power Cord (US) (models CTO-U)  | 39M5080 | 1        | Y     |
| Power Cord (China) (models CTO-A)   | 39M5205 | 1        | Y     |
| Power Cord (Japan) (models CTO-A D2J D3J 81J 82J 83J 84J 85J 86J 91J 92J B2J B3J D4J D5J E2J DKJ) | 39M5193 | 1        | Y     |
| Power Cord (Brazil) (models CTO-L)  | 39M5232 | 1        | Y     |
| Power Cord (LA), (High Volt) (APU) (models CTO-L)   | 39M5067 | 1        | Y     |
| Power Cord (Australia, New Zealand) (models CTO-A)  | 39M5102 | 1        | Y     |
| Power Cord (Korea) (models CTO-K E1K DCK)   | 39M5212 | 1        | Y     |
| Power Cord (Hong Kong) (models CTO-A)   | 39M5151 | 1        | Y     |
| Power Cord (UK, Ireland, Singapore, Malaysia, Brunei) (models CTO-G CTO-A B1G D1G)                | 39M5150 | 1        | Y     |
| Power Cord (Taiwan) (models CTO-A)  | 39M5246 | 1        | Y     |
| Power Cord (Italy) (models CTO-G B1G D1G)   | 39M5164 | 1        | Y     |
| Power Cord (G models) (models CTO-G CTO-A B1G D1G)  | 39M5122 | 1        | Y     |
| Power Cord (Denmark) (models CTO-G B1G D1G)   | 39M5129 | 1        | Y     |
| Power Cord (Switzerland) (models CTO-G B1G D1G)   | 39M5157 | 1        | Y     |
| Power Cord (Israel) (models CTO-G B1G D1G)  | 39M5171 | 1        | Y     |

| 8009 Power Cords                                 | FRU#    | CRU Tier | RoHS? |
|--|---------|----------|-------|
| Power Cord (South Africa) (models CTO-G B1G D1G) | 39M5143 | 1        | Y     |
| Power Cord (India) (models CTO-A)                | 39M5004 | 1        | Y     |

| 8009 Windows XP Pro Recovery CDs  | FRU#    | CRU Tier |
|---|---------|----------|
| US/UK/AP/TH (models B1G D1G)  | 42Y3236 | 1        |
| RE (models B1G D1G)   | 42Y5464 | 1        |
| FR/CF (models B1G D1G)  | 42Y4449 | 1        |
| GR (models B1G D1G)   | 42Y4450 | 1        |
| SP/LA (models B1G D1G)  | 42Y4451 | 1        |
| IT (models B1G D1G)   | 42Y4452 | 1        |
| SV (models B1G D1G)   | 42Y4454 | 1        |
| DK (models B1G D1G)   | 42Y4455 | 1        |
| FI (models B1G D1G)   | 42Y5465 | 1        |
| NO (models B1G D1G)   | 42Y5466 | 1        |
| NL (models B1G D1G)   | 42Y5467 | 1        |
| Korea (models E1K)  | 42T8621 | 1        |
| Japanese (models D2J D3J 81J 82J 83J 84J 85J 86J 91J 92J DBJ B2J B3J D4J D5J E2J) | 42T8645 | 1        |
| HE (models B1G D1G)   | 42Y5468 | 1        |
| PL (models B1G D1G)   | 42Y5469 | 1        |
| CZ (models B1G D1G)   | 42Y5470 | 1        |
| AE (models B1G D1G)   | 42Y5471 | 1        |
| RU (models B1G D1G)   | 42Y5472 | 1        |
| TR (models B1G D1G)   | 42Y5473 | 1        |
| HU (models B1G D1G)   | 42Y5474 | 1        |
| PO (models B1G D1G)   | 42Y5475 | 1        |
| GK (models B1G D1G)   | 42Y5476 | 1        |
| SL (models B1G D1G)   | 42Y5477 | 1        |
| Multilingual 1 -- EN, NL, FR, GR, IT (models B1G D1G)                             | 42Y4533 | 1        |
| Multilingual 2 -- EN, DK, FI, NO, SV (models B1G D1G)                             | 42Y5626 | 1        |

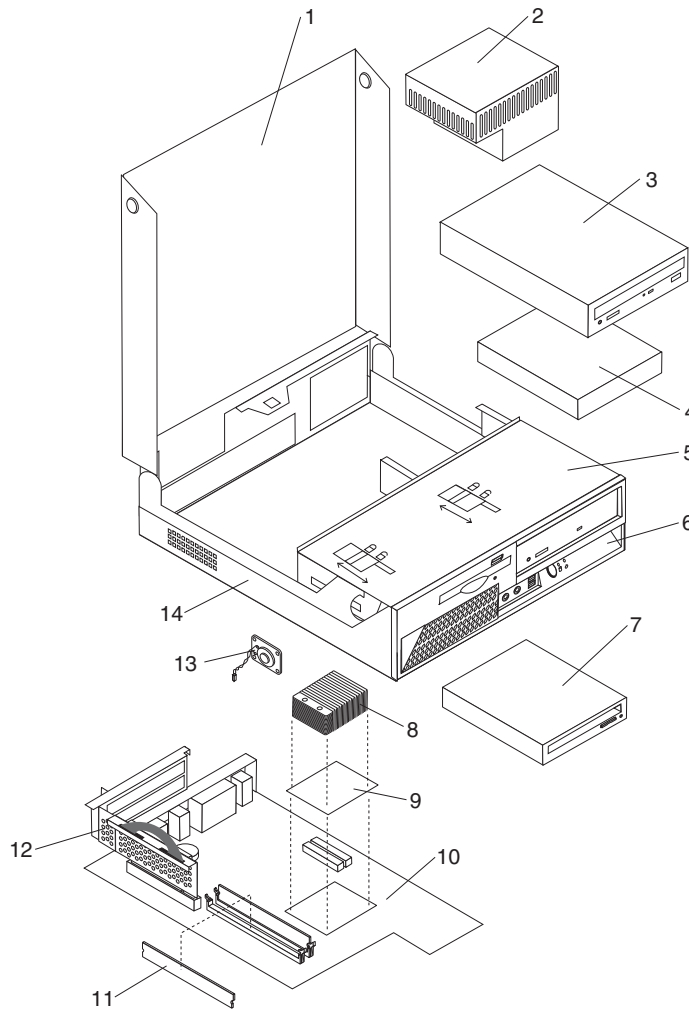
| 8009 Vista Home Basic 32 Recovery DVDs | FRU#    | CRU Tier |
|--|---------|----------|
| US/UK/AP/TH (models)                   | 43C1440 | 1        |
| FR/CF (models)                         | 43C1441 | 1        |
| GR (models)                            | 43C1442 | 1        |
| SP/LA (models)                         | 43C1443 | 1        |
| BR (models)                            | 43C1444 | 1        |
| IT (models)                            | 43C1445 | 1        |
| JP (models)                            | 43C1446 | 1        |
| NO (models)                            | 43C1447 | 1        |
| SV (models)                            | 43C1448 | 1        |

| 8009 Vista Home Basic 32 Recovery DVDs | FRU#    | CRU Tier |
|--|---------|----------|
| DK (models)                            | 43C1449 | 1        |
| NL (models)                            | 43C1450 | 1        |
| CZ (models)                            | 43C1451 | 1        |
| FI (models)                            | 43C1452 | 1        |
| PL (models)                            | 43C1453 | 1        |
| RU (models)                            | 43C1454 | 1        |
| TR (models)                            | 43C1455 | 1        |
| HU (models)                            | 43C1456 | 1        |
| GK (models)                            | 43C1457 | 1        |
| PO (models)                            | 43C1458 | 1        |
| CS (models)                            | 43C1459 | 1        |
| TW (models)                            | 43C1460 | 1        |
| HK (models)                            | 43C1461 | 1        |
| KR (models DCK)                        | 43C1462 | 1        |
| SL (models)                            | 43C1463 | 1        |
| RE (models)                            | 43C1464 | 1        |

| 8009 Vista Business 32 Recovery DVDs | FRU#    | CRU Tier |
|--------------------------------------|---------|----------|
| US/UK/AP/TH (models)                 | 43C1390 | 1        |
| FR/CF (models)                       | 43C1391 | 1        |
| GR (models)                          | 43C1392 | 1        |
| SP/LA (models)                       | 43C1393 | 1        |
| BR (models)                          | 43C1394 | 1        |
| IT (models)                          | 43C1395 | 1        |
| JP (models B2J B3J D4J D5J E2J)      | 43C1396 | 1        |
| NO (models)                          | 43C1397 | 1        |
| SV (models)                          | 43C1398 | 1        |
| DK (models)                          | 43C1399 | 1        |
| NL (models)                          | 43C1400 | 1        |
| CZ (models)                          | 43C1401 | 1        |
| FI (models)                          | 43C1402 | 1        |
| PL (models)                          | 43C1403 | 1        |
| RU (models)                          | 43C1404 | 1        |
| TR (models)                          | 43C1405 | 1        |
| HU (models)                          | 43C1406 | 1        |
| GK (models)                          | 43C1407 | 1        |
| PO (models)                          | 43C1408 | 1        |
| CS (models)                          | 43C1409 | 1        |
| TW (models)                          | 43C1410 | 1        |
| HK (models)                          | 43C1411 | 1        |
| KR (models E1K)                      | 43C1412 | 1        |

| 8009 Vista Business 32 Recovery DVDs |  | FRU#    | CRU Tier |
|--------------------------------------|--|---------|----------|
| SL (models)                          |  | 43C1413 | 1        |
| RE (models)                          |  | 43C1414 | 1        |

## Machine Type 8010



| Item # | 8010 FRUs   | FRU#    | CRU Tier | RoHS? |
|--------|---|---------|----------|-------|
| 1      | Cover (all models)  | 41R6220 | 1        | Y     |
| 2      | Power Supply - China (225 Watt) (models D1V)                                    | 41A9635 | 2        | Y     |
| 3      | DVD-ROM 16X/48X - Black (models D1V)  | 41N3325 | 1        | Y     |
| 4      | Hard Disk Drive 160GB 7200 rpm Serial ATA (models D1V)                          | 40Y9035 | 1        | Y     |
| 4      | Hard Disk Drive 160GB 7200 rpm Serial ATA (models D1V)                          | 40Y8762 | 1        | Y     |
| 5      | Rotating bay assembly (all models)  | 03R0285 | 2        | Y     |
| 6      | Bezel, Plastic Kit (models)   | 41A7718 | 2        | Y     |
| 7      | Slim Diskette Drive, 1.44 MB 3 mode (without FDD cable and bezel ) (models D1V) | 40Y9109 | 1        | Y     |



| Item # | 8010 FRUs   | FRU#    | CRU Tier | RoHS? |
|--------|---|---------|----------|-------|
| 7      | Slim Diskette Drive, 1.44 MB 3 mode (without FDD cable and bezel ) (models D1V) | 40Y9111 | 1        | Y     |
| 8      | Heat Sink, (all models)   | 41A7705 | 2        | Y     |
| 9      | Microprocessor, Celeron 420 800/1600MHZ-512K,LGA,EM64T A1 (models D1V)          | 43C3835 | N        | Y     |
| 9      | Microprocessor, Pentium CONROE-L E2180 2.0GHz 800MHz FSB, 1M, EM64T (models)    | 45C1773 | N        | Y     |
| 9      | Microprocessor, Pentium CONROE-L E2220 2.4GHz 800MHz FSB, 1M, EM64T (models)    | 45C1774 | N        | Y     |
| 9      | Microprocessor, Core 2 Duo E4500 Processor 2.2GHz 800MHz FSB 2M (models)        | 43C6305 | N        | Y     |
| 10     | System Board (models D1V)   | 43C7177 | 2        | Y     |
| 10     | System Board IV - Bristol GF V3.1(ASUS)(SIT-RR) (models)                        | 41T1435 | 2        | Y     |
| 10     | System Board IV - Bristol IAMT V3.3(ASUS)(SIT-RR) (models)                      | 41T1431 | 2        | Y     |
| 10     | System Board IV - Bristol IAMT V3.3(GIGA)(GA)(No 820CPU issue) (models)         | 45C2305 | 2        | Y     |
| 11     | Memory - 512MB DDR2 SDRAM NP (PC 5300) (models D1V)                             | 30R5125 | 1        | Y     |
| 12     | Riser card assembly (all models)  | 41A7730 | 1        | Y     |
| 13     | Speaker/cable assembly (all models)   | 39K5012 | 1        | Y     |
| 14     | Chassis (all models)  | 41A7717 | 2        | Y     |

The FRUs listed in the following table are not illustrated.

| 8010 FRUs   | FRU#    | CRU Tier | RoHS? |
|---|---------|----------|-------|
| Hard disk drive tray (all models)                                     | 03R0302 | 2        | Y     |
| Floor stand and vertical deflector (all models)                       | 74P0404 | 2        | Y     |
| Cable, SATA 18" (all models)  | 26K1186 | 1        | Y     |
| Cable, second serial port, 250mm HP (all models)                      | 42Y8007 | 1        | Y     |
| Cable, SATA Device (all models)                                       | 39K5026 | 1        | Y     |
| C2 Cable (Squall) (models)  | 39K5022 | 1        | Y     |
| Cable, PWR/LED (all models)   | 26K1242 | 1        | Y     |
| Cable, Diskette Drive (all models)                                    | 26K1248 | 1        | Y     |
| Fan assembly (all models)   | 26K1253 | 2        | Y     |
| Universal Adapter Bracket 5.25 to 3.5-inch (all models)               | 32P4743 | 1        | Y     |
| Retention module, tool less heat sink (all models)                    | 26K1281 | 2        | Y     |
| Shield, system board (all models)                                     | 41A7719 | 2        | Y     |
| Latch bar on cover (all models)                                       | 41R6188 | 2        | Y     |
| Internal Plastic Kit (does not include tl hardfile tray) (all models) | 26K1234 | 2        | Y     |

| 8010 Keyboards (USB Preferred - without hub) | FRU#    | CRU Tier | RoHS? |
|--|---------|----------|-------|
| Chinese/US (models D1V)                      | 41A5296 | 1        | Y     |

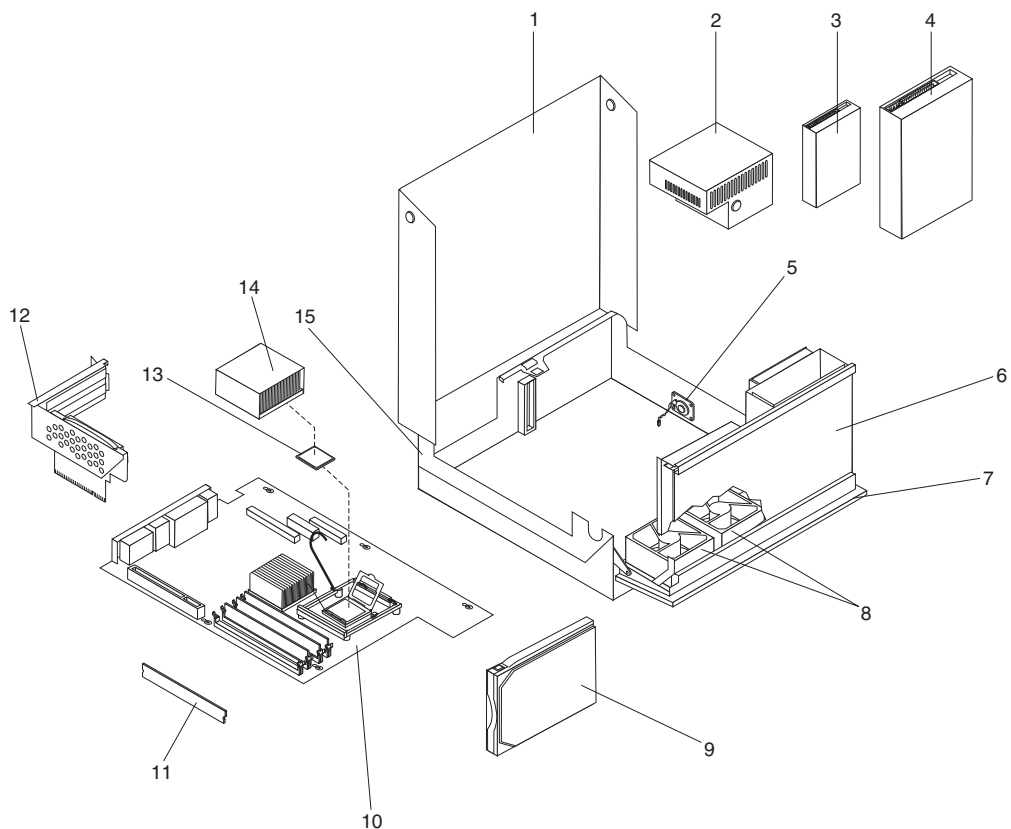
| 8010 Mice                                       | FRU#    | CRU Tier | RoHS? |
|---|---------|----------|-------|
| Mouse, Optical Wheel (400DPI, USB) (models D1V) | 41U3013 | 1        | Y     |
| Mouse, Optical Wheel (400DPI, USB) (models D1V) | 41U3030 | 1        | Y     |

| 8010 Power Cords                 | FRU#    | CRU Tier | RoHS? |
|----------------------------------|---------|----------|-------|
| Power cord - Taiwan (models D1V) | 39M5246 | 1        | Y     |

| 8010 Windows XP Pro Recovery CDs | FRU#    | CRU Tier |
|----------------------------------|---------|----------|
| Taiwan-TC (models D1V)           | 42T8633 | 1        |

| 8010 Vista Business 32 Recovery DVDs | FRU#    | CRU Tier |
|--------------------------------------|---------|----------|
| TW (models D1V)                      | 43C1410 | 1        |

## Machine Type 8011



| Item # | 8011 FRUs                                | FRU#    | CRU Tier | RoHS? |
|--------|--|---------|----------|-------|
| 1      | Top cover (all models)                   | 41R4835 | 2        | Y     |
| 2      | Power Supply (225 Watt) (models)         | 41N3432 | 2        | Y     |
| 2      | Power Supply - China (225 Watt) (models) | 41N3436 | 2        | Y     |

| Item # | 8011 FRUs   | FRU#    | CRU Tier | RoHS? |
|--------|---|---------|----------|-------|
| 2      | Power Supply - Japan (225 Watt) (models)                                | 41N3441 | 2        | Y     |
| 2      | Power Supply, 275 active PFC-WW, China, JAPAN (models)                  | 41A9640 | 2        | Y     |
| 2      | Power Supply, 275W 80% non-Standard Power supply (models)               | 41A9675 | 2        | Y     |
| 3      | Diskette drive, 3.5" 1.44MB 2-mode (models)                             | 40Y9107 | 1        | Y     |
| 3      | Diskette drive, 3.5" 1.44MB 2-mode (models)                             | 40Y9105 | 1        | Y     |
| 4      | DVD-ROM 16X/48X - Black (models)  | 41N3325 | 1        | Y     |
| 4      | CD-RW/DVD-ROM Combo Drive 48X/32X/48X/16X Max---nonvista/vista (models) | 42Y9353 | 1        | Y     |
| 4      | DVD-RW/CD-RW Rambo 7 - SATA (models)                                    | 42Y6374 | 1        | Y     |
| 4      | DVD-RW/CD-RW Rambo 7 - SATA (models)                                    | 42Y6373 | 1        | Y     |
| 4      | DVD Recorder Rambo 8 - SATA (models)                                    | 43C1042 | 1        | Y     |
| 5      | Speaker/cable assembly (all models)                                     | 39K5012 | 1        | Y     |
| 6      | Rotating cage assembly (all models)                                     | 41N5324 | 2        | Y     |
| 7      | Bezel Kit (all models)  | 41N5322 | 1        | Y     |
| 8      | Front fan and bracket assembly (all models)                             | 39M0585 | 2        | Y     |
| 9      | Hard Disk Drive 80GB 7200 rpm Serial ATA (models)                       | 40Y9034 | 1        | Y     |
| 9      | Hard Disk Drive 80GB 7200 rpm Serial ATA (models)                       | 40Y8761 | 1        | Y     |
| 9      | Hard Disk Drive 160GB 7200 rpm Serial ATA (models)                      | 40Y9035 | 1        | Y     |
| 9      | Hard Disk Drive 160GB 7200 rpm Serial ATA (models)                      | 40Y8762 | 1        | Y     |
| 9      | Hard Disk Drive 250GB 7200 rpm Serial ATA (models)                      | 40Y9036 | 1        | Y     |
| 9      | Hard Disk Drive 250GB 7200 rpm Serial ATA (models)                      | 40Y8763 | 1        | Y     |
| 9      | Hard Disk Drive 500GB 7200 rpm Serial ATA (models)                      | 41X5582 | 1        | Y     |
| 10     | System Board (models)   | 43C7180 | 2        | Y     |
| 11     | Memory - 512MB DDR2 SDRAM NP Memory (PC 4200) (models)                  | 30R5121 | 1        | Y     |
| 11     | Memory - 512MB DDR2 SDRAM NP Memory (PC 4200) (models)                  | 41X4251 | 1        | Y     |
| 11     | Memory - 1GB DDR2 SDRAM NP Memory (PC 4200) (models)                    | 30R5122 | 1        | Y     |
| 11     | Memory - 2GB DDR2 SDRAM NP Memory (PC 4200) (models)                    | 30R5123 | 1        | Y     |
| 11     | Memory - 512MB DDR2 SDRAM NP (PC 5300) (models)                         | 30R5125 | 1        | Y     |
| 11     | Memory - 1GB DDR2 SDRAM NP (PC 5300) (models)                           | 41X4252 | 1        | Y     |
| 11     | Memory - 1GB DDR2 SDRAM NP (PC 5300) (models)                           | 30R5126 | 1        | Y     |
| 11     | Memory - 2GB DDR2 SDRAM NP (PC 5300) (models)                           | 30R5127 | 1        | Y     |
| 11     | Memory - 512MB DDR2 SDRAM NP (PC 6400) (models)                         | 41X1079 | 1        | Y     |
| 11     | Memory - 1GB DDR2 SDRAM NP (PC 6400) (models)                           | 41X1080 | 1        | Y     |
| 11     | Memory - 2GB DDR2 SDRAM NP (PC 6400) (models)                           | 41X1081 | 1        | Y     |
| 12     | Riser card and bracket assembly (all models)                            | 39M0587 | 1        | Y     |
| 13     | Microprocessor, Pentium 4 3.06 GHz 533 FSB 1MB L2 (models)              | 41T4104 | N        | Y     |
| 13     | Microprocessor, Pentium 4 3.0 GHz 800 FSB 1MB L2 (models)               | 41T1701 | N        | Y     |
| 13     | Microprocessor, Pentium 4 3.2 GHz 800 FSB 1MB L2 (models)               | 41T1702 | N        | Y     |
| 13     | Microprocessor, Pentium 4 3.0 GHz 800 FSB 2MB L2 (models)               | 41T1712 | N        | Y     |
| 13     | Microprocessor, Pentium 4 3.2 GHz 800 FSB 2MB L2 (models)               | 41T1713 | N        | Y     |

| Item # | 8011 FRUs   | FRU#    | CRU Tier | RoHS? |
|--------|---|---------|----------|-------|
| 13     | Microprocessor, Pentium 4 3.4 GHz 800 FSB 2MB L2 (models)                     | 41T1714 | N        | Y     |
| 13     | Microprocessor, Pentium 4 3.6 GHz 800 FSB 2MB L2 (models)                     | 41T1715 | N        | Y     |
| 13     | Microprocessor, Pentium D 2.8 GHz 800 FSB 1MB L2 (models)                     | 41T1704 | N        | Y     |
| 13     | Microprocessor, Pentium D 2.8 GHz 800 FSB 2MB L2 (models)                     | 41X7775 | N        | Y     |
| 13     | Microprocessor, Pentium D 3.0 GHz 800 FSB 2Mx2 L2 (models)                    | 41X2413 | N        | Y     |
| 13     | Microprocessor, Pentium D 3.0 GHz 800 FSB 2Mx2 L2 (models)                    | 41T1717 | N        | Y     |
| 13     | Microprocessor, Pentium D 3.2 GHz 800 FSB 2Mx2 L2 (models)                    | 41X8050 | N        | Y     |
| 13     | Microprocessor, Pentium D 3.4 GHz 800 FSB 2Mx2 L2 (models)                    | 41X7776 | N        | Y     |
| 13     | Microprocessor, Pentium E2140 800/1600MHZ-1M, LGA, EM64T (models)             | 43C1967 | N        | Y     |
| 13     | Microprocessor, Pentium E2160 800/1800MHZ-1M, LGA, EM64T (models)             | 43C1968 | N        | Y     |
| 13     | Microprocessor, Pentium CONROE-L E2180 2.0GHz 800MHz FSB, 1M, EM64T (models)  | 45C1773 | N        | Y     |
| 13     | Microprocessor, Pentium CONROE-L E2220 2.4GHz 800MHz FSB, 1M, EM64T (models)  | 45C1774 | N        | Y     |
| 13     | Microprocessor, Core 2 Duo E4500 Processor 2.2GHz 800MHz FSB 2M (models)      | 43C6305 | N        | Y     |
| 13     | Microprocessor, Conroe E6300 Processor 1.86GHz 1066MHz FSB 2M L2 (models)     | 41X2495 | N        | Y     |
| 13     | Microprocessor, Core 2 Duo E6320 1.86GHz 1066MHz FSB 4M B2 (models)           | 43C3829 | N        | Y     |
| 13     | Microprocessor, Conroe E6400 Processor 2.13GHz 1066MHz FSB 2M L2 (models)     | 41X2496 | N        | Y     |
| 13     | Microprocessor, Core 2 Duo E6420 Processor 2.13GHz 1066MHz FSB 4M B2 (models) | 43C3831 | N        | Y     |
| 13     | Microprocessor, Conroe E6600 Processor 2.40GHz 1066MHz FSB 4M L2 (models)     | 41X5743 | N        | Y     |
| 13     | Microprocessor, Conroe E6700 Processor 2.67GHz 1066MHz FSB 4M L2 (models)     | 41X5744 | N        | Y     |
| 13     | Microprocessor, Celeron D 2.66GHz 533MHz FSB 256KB L2 (models)                | 41T1694 | N        | Y     |
| 13     | Microprocessor, Celeron D 2.80GHz 533MHz FSB 256KB L2 (models)                | 41T1695 | N        | Y     |
| 13     | Microprocessor, Celeron D 3.06GHz 533MHz FSB 256KB L2 (models)                | 41T1697 | N        | Y     |
| 13     | Microprocessor, Celeron D 3.06GHz 533MHz FSB 512KB L2 (models)                | 42Y8530 | N        | Y     |
| 13     | Microprocessor, Celeron D 3.20GHz 533MHz FSB 256KB L2 (models)                | 41T1698 | N        | Y     |
| 13     | Microprocessor, Celeron D 3.20GHz 533MHz FSB 512KB L2 (models)                | 41T4966 | N        | Y     |
| 13     | Microprocessor, Celeron D 3.33GHz 533MHz FSB 512KB L2 (models)                | 41T4968 | N        | Y     |
| 13     | Microprocessor, Celeron 420 800/1600MHZ-512K,LGA,EM64T A1 (models)            | 43C3835 | N        | Y     |
| 13     | Microprocessor, Celeron 430 800/1800MHZ-512K,LGA,EM64T A1 (models)            | 43C1964 | N        | Y     |
| 13     | Microprocessor, Celeron 440 800/1800MHZ-512K,LGA,EM64T A1 (models)            | 43C1965 | N        | Y     |
| 13     | Microprocessor, Core 2 Duo E4300 1.8GHz 800MHz FSB 2M L2 (models)             | 42Y8009 | N        | Y     |
| 13     | Microprocessor, Core 2 Duo E4400 2.0GHz 800MHz FSB 2M L2 (models)             | 43C2056 | N        | Y     |
| 14     | Heat Sink and Retention Module kit (all models)                               | 41A7713 | 2        | Y     |
| 15     | Mechanical base (all models)  | 41R4841 | 2        | Y     |

The FRUs listed in the following table are not illustrated.

| <b>8011 FRUs</b>  | <b>FRU#</b> | <b>CRU Tier</b> | <b>RoHS?</b> |
|---|-------------|-----------------|--------------|
| Hard disk drive bracket assembly (all models)                           | 39M0578     | 1               | Y            |
| Power switch/LED cable assembly (all models)                            | 39M0580     | 2               | Y            |
| SATA cable assembly (all models)  | 39K0526     | 1               | Y            |
| Optical cable, 1 drop (all models)                                      | 39M0584     | 1               | Y            |
| Intrusion switch cable (all models)                                     | 39K5022     | 1               | Y            |
| Vertical stand (all models)   | 39M0589     | 1               | Y            |
| Bezel assembly, optical rotating (all models)                           | 39M0592     | 2               | Y            |
| EMC Shield kit (diskette drive and optical bays) (all models)           | 41N5325     | 1               | Y            |
| EMC Shield, system board (all models)                                   | 41N5326     | 1               | Y            |
| Cable asm, diskette drive (all models)                                  | 41N8269     | 1               | Y            |
| Thermal sense cable (460 mm) (all models)                               | 41R2509     | 1               | Y            |
| AC-DC converter, ADP, internal enclosed assembly, 275WATTS (all models) | 41A9640     | 1               | Y            |
| Universal Adapter Bracket 5.25 to 3.5-inch (all models)                 | 32P4743     | 1               | Y            |

| <b>8011 Keyboards (Fingerprint Reader USB)</b> | <b>FRU#</b> | <b>CRU Tier</b> | <b>RoHS?</b> |
|--|-------------|-----------------|--------------|
| US English (models)                            | 41A5248     | 1               | Y            |
| Arabic (models)                                | 41A5249     | 1               | Y            |
| Arabic/French (models)                         | 41A5250     | 1               | Y            |
| Belgian/French (models)                        | 41A5251     | 1               | Y            |
| Belgian/UK (models)                            | 41A5252     | 1               | Y            |
| Bulgarian (models)                             | 41A5254     | 1               | Y            |
| Czech (models)                                 | 41A5256     | 1               | Y            |
| Danish (models)                                | 41A5257     | 1               | Y            |
| Dutch (models)                                 | 41A5258     | 1               | Y            |
| French (models)                                | 41A5259     | 1               | Y            |
| German (models)                                | 41A5262     | 1               | Y            |
| Greek (models)                                 | 41A5263     | 1               | Y            |
| Greek/US (models)                              | 41A5264     | 1               | Y            |
| Hebrew (models)                                | 41A5265     | 1               | Y            |
| Hungarian (models)                             | 41A5266     | 1               | Y            |
| Iceland (models)                               | 41A5267     | 1               | Y            |
| Italian 141 (models)                           | 41A5268     | 1               | Y            |
| Norwegian (models)                             | 41A5272     | 1               | Y            |
| Polish (models)                                | 41A5273     | 1               | Y            |
| Portuguese (models)                            | 41A5274     | 1               | Y            |
| Romanian 096 (models)                          | 41A5275     | 1               | Y            |
| Romanian 446 (models)                          | 41A5276     | 1               | Y            |
| Russian/Cyrillic (models)                      | 41A5277     | 1               | Y            |
| Serbian/Cyrillic (models)                      | 41A5278     | 1               | Y            |

| <b>8011 Keyboards (Fingerprint Reader USB)</b> | <b>FRU#</b> | <b>CRU Tier</b> | <b>RoHS?</b> |
|--|-------------|-----------------|--------------|
| Slovak (models)                                | 41A5279     | 1               | Y            |
| Spanish (models)                               | 41A5280     | 1               | Y            |
| Swedish/Finn (models)                          | 41A5281     | 1               | Y            |
| Swiss (models)                                 | 41A5282     | 1               | Y            |
| Turkish 440 (models)                           | 41A5284     | 1               | Y            |
| Turkish 179 (models)                           | 41A5285     | 1               | Y            |
| UK English (models)                            | 41A5286     | 1               | Y            |
| US Euro (models)                               | 41A5287     | 1               | Y            |
| Slovenian (models)                             | 41A5288     | 1               | Y            |

| <b>8011 Keyboards (UltraNav Fullsize USB Keyboard - Japan only)</b> | <b>FRU#</b> | <b>CRU Tier</b> | <b>RoHS?</b> |
|---|-------------|-----------------|--------------|
| Japan (models)  | 41A5091     | 1               | Y            |

| <b>8011 Keyboards (UltraNav Travel USB Keyboard - Japan only)</b> | <b>FRU#</b> | <b>CRU Tier</b> | <b>RoHS?</b> |
|---|-------------|-----------------|--------------|
| Japan (models)  | 41A5161     | 1               | Y            |

| <b>8011 Mice</b>                                  | <b>FRU#</b> | <b>CRU Tier</b> | <b>RoHS?</b> |
|---|-------------|-----------------|--------------|
| Mouse, Optical Wheel (400DPI, USB) (models)       | 41U3013     | 1               | Y            |
| Mouse, Optical Wheel (400DPI, USB) (models)       | 41U3030     | 1               | Y            |
| Mouse, ScrollPoint Optical (800DPI, USB) (models) | 41U3019     | 1               | Y            |

| <b>8011 Wireless I/O</b>   | <b>FRU#</b> | <b>CRU Tier</b> | <b>RoHS?</b> |
|----------------------------|-------------|-----------------|--------------|
| Wireless Keyboard (models) | 41A5219     | 1               | Y            |
| Wireless Mouse (models)    | 41A5247     | 1               | Y            |
| Transceiver (USB) (models) | 41A5246     | 1               | Y            |

| <b>8011 Adapters and miscellaneous FRUs</b>                         | <b>FRU#</b> | <b>CRU Tier</b> | <b>RoHS?</b> |
|---|-------------|-----------------|--------------|
| 128MB DDR ATI Radeon x300SE, PCIe x16, DMS59 (New Denver) (models)  | 39J9635     | 1               | Y            |
| PCI-E DVI-DConnection Adapter (Full Height) (models)                | 39J9334     | 1               | Y            |
| Nvidia GeForce 7300LE 128MB 64bit ATX/LP w/S-Video, no DVI (models) | 41X2669     | 1               | Y            |
| IEEE 1394 Firewire Adapter - full height (models)                   | 41D2781     | 1               | Y            |
| Speakers, (2-piece) (Lenovo logo) (models)                          | 41A5331     | 1               | Y            |
| Speakers, Lenovo Branded (models)                                   | 41A5334     | 1               | Y            |
| Speaker Power brick - US, Canada, LA low voltage, ASEAN (models)    | 89P8571     | 1               | Y            |
| Speaker Power brick - LA high voltage (non-APU) (models)            | 89P8575     | 1               | Y            |
| Speaker Power brick - China, Thailand (models)                      | 89P8581     | 1               | Y            |

| 8011 Adapters and miscellaneous FRUs                                    | FRU#    | CRU Tier | RoHS? |
|---|---------|----------|-------|
| Speaker Power brick - Japan (models)                                    | 89P8577 | 1        | Y     |
| Speaker Power brick - Brazil (models)                                   | 89P8583 | 1        | Y     |
| Speaker Power brick - Argentina (models)                                | 41A4901 | 1        | Y     |
| Speaker Power brick - ANZ (models)                                      | 89P8579 | 1        | Y     |
| Speaker Power brick - Korea (models)                                    | 41A4903 | 1        | Y     |
| Speaker Brick - Hong Kong, EMEA (models)                                | 89P8573 | 1        | Y     |
| Speaker Power brick - Taiwan (models)                                   | 41A4905 | 1        | Y     |
| Speaker Power brick - India, South Africa (models)                      | 89P8585 | 1        | Y     |
| Thermal Grease Syringe (all models)                                     | 91P8835 | 1        | Y     |
| Nvidia GeForce 7300LE 128MB 64bit ATX/LP w/S-Video, with DMS59 (models) | 42Y8165 | 1        | Y     |
| ATI X1300LE 256M 64bit LP/ATX with DMS59 (models)                       | 42Y8162 | 1        | Y     |
| Dongle DMS Dule DMS-59 to dual VGA cable (models)                       | 42Y8181 | 1        | Y     |
| Dongle DMS Dule DMS-59 to single VGA and DVI cable (models)             | 42Y8183 | 1        | Y     |
| Dongle DMS Dule DMS-59 to dual DVI - I cable (models)                   | 41X6398 | 1        | Y     |

| 8011 Power Cords   | FRU#    | CRU Tier | RoHS? |
|--|---------|----------|-------|
| Power cord - US (models)                                       | 39M5080 | 1        | Y     |
| Power cord - China (models)                                    | 39M5205 | 1        | Y     |
| Power cord - Japan (models)                                    | 39M5193 | 1        | Y     |
| Power cord - Brazil (models)                                   | 39M5232 | 1        | Y     |
| Power cord - LA High Volt (APU) (models)                       | 39M5067 | 1        | Y     |
| Power cord - Australia/New Zealand (models)                    | 39M5102 | 1        | Y     |
| Power cord - Korea (models)                                    | 39M5212 | 1        | Y     |
| Power cord - Hong Kong (models)                                | 39M5151 | 1        | Y     |
| Power cord - UK, Ireland, Singapore, Malaysia, Brunei (models) | 39M5150 | 1        | Y     |
| Power cord - Taiwan (models)                                   | 39M5246 | 1        | Y     |
| Power cord - Italy/Chile (models)                              | 39M5164 | 1        | Y     |
| Power cord - G models (models)                                 | 39M5122 | 1        | Y     |
| Power cord - Denmark (models)                                  | 39M5129 | 1        | Y     |
| Power cord - Switzerland (models)                              | 39M5157 | 1        | Y     |
| Power cord - Israel (model)                                    | 39M5171 | 1        | Y     |
| Power cord - South Africa (models)                             | 39M5143 | 1        | Y     |
| Power cord - India (models)                                    | 39M5004 | 1        | Y     |

| 8011 Windows XP Pro Recovery CDs | FRU#    | CRU Tier | RoHS? |
|----------------------------------|---------|----------|-------|
| US/UK/AP/TH (models)             | 42Y3236 | 1        | Y     |
| RE (models)                      | 42Y5464 | 1        | Y     |
| FR/CF (models)                   | 42Y4449 | 1        | Y     |
| GR (models)                      | 42Y4450 | 1        | Y     |

| 8011 Windows XP Pro Recovery CDs              | FRU#    | CRU Tier | RoHS? |
|---|---------|----------|-------|
| SP/LA (models)                                | 42Y4451 | 1        | Y     |
| IT (models)                                   | 42Y4452 | 1        | Y     |
| SV (models)                                   | 42Y4454 | 1        | Y     |
| DK (models)                                   | 42Y4455 | 1        | Y     |
| FI (models)                                   | 42Y5465 | 1        | Y     |
| NO (models)                                   | 42Y5466 | 1        | Y     |
| NL (models)                                   | 42Y5467 | 1        | Y     |
| HE (models)                                   | 42Y5468 | 1        | Y     |
| PL (models)                                   | 42Y5469 | 1        | Y     |
| CZ (models)                                   | 42Y5470 | 1        | Y     |
| AE (models)                                   | 42Y5471 | 1        | Y     |
| RU (models)                                   | 42Y5472 | 1        | Y     |
| TR (models)                                   | 42Y5473 | 1        | Y     |
| HU (models)                                   | 42Y5474 | 1        | Y     |
| PO (models)                                   | 42Y5475 | 1        | Y     |
| GK (models)                                   | 42Y5476 | 1        | Y     |
| SL (models)                                   | 42Y5477 | 1        | Y     |
| Multilingual 1 -- EN, NL, FR, GR, IT (models) | 42Y4533 | 1        | Y     |
| Multilingual 2 -- EN, DK, FI, NO, SV (models) | 42Y5626 | 1        | Y     |

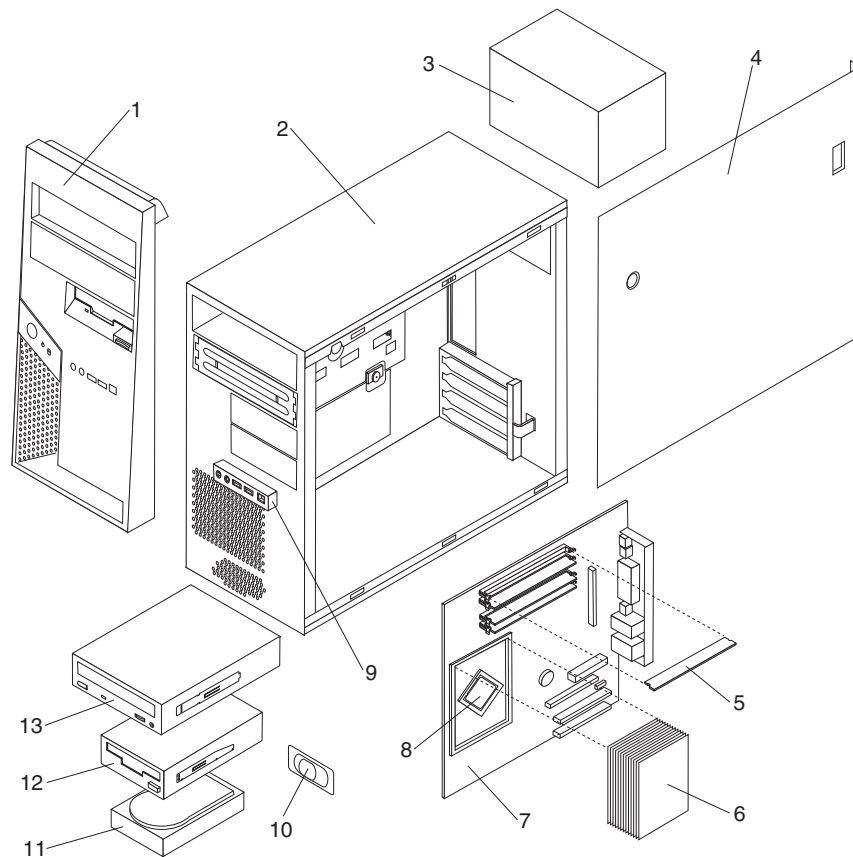
| 8011 Vista Home Basic 32 Recovery DVDs | FRU#    | CRU Tier |
|--|---------|----------|
| US/UK/AP/TH (models)                   | 43C1440 | 1        |
| FR/CF (models)                         | 43C1441 | 1        |
| GR (models)                            | 43C1442 | 1        |
| SP/LA (models)                         | 43C1443 | 1        |
| BR (models)                            | 43C1444 | 1        |
| IT (models)                            | 43C1445 | 1        |
| JP (models)                            | 43C1446 | 1        |
| NO (models)                            | 43C1447 | 1        |
| SV (models)                            | 43C1448 | 1        |
| DK (models)                            | 43C1449 | 1        |
| NL (models)                            | 43C1450 | 1        |
| CZ (models)                            | 43C1451 | 1        |
| FI (models)                            | 43C1452 | 1        |
| PL (models)                            | 43C1453 | 1        |
| RU (models)                            | 43C1454 | 1        |
| TR (models)                            | 43C1455 | 1        |
| HU (models)                            | 43C1456 | 1        |
| GK (models)                            | 43C1457 | 1        |
| PO (models)                            | 43C1458 | 1        |



| 8011 Vista Home Basic 32 Recovery DVDs | FRU#    | CRU Tier |
|--|---------|----------|
| CS (models)                            | 43C1459 | 1        |
| TW (models)                            | 43C1460 | 1        |
| HK (models)                            | 43C1461 | 1        |
| KR (models)                            | 43C1462 | 1        |
| SL (models)                            | 43C1463 | 1        |
| RE (models)                            | 43C1464 | 1        |

| 8011 Vista Business 32 Recovery DVDs | FRU#    | CRU Tier |
|--------------------------------------|---------|----------|
| US/UK/AP/TH (models)                 | 43C1390 | 1        |
| FR/CF (models)                       | 43C1391 | 1        |
| GR (models)                          | 43C1392 | 1        |
| SP/LA (models)                       | 43C1393 | 1        |
| BR (models)                          | 43C1394 | 1        |
| IT (models)                          | 43C1395 | 1        |
| JP (models)                          | 43C1396 | 1        |
| NO (models)                          | 43C1397 | 1        |
| SV (models)                          | 43C1398 | 1        |
| DK (models)                          | 43C1399 | 1        |
| NL (models)                          | 43C1400 | 1        |
| CZ (models)                          | 43C1401 | 1        |
| FI (models)                          | 43C1402 | 1        |
| PL (models)                          | 43C1403 | 1        |
| RU (models)                          | 43C1404 | 1        |
| TR (models)                          | 43C1405 | 1        |
| HU (models)                          | 43C1406 | 1        |
| GK (models)                          | 43C1407 | 1        |
| PO (models)                          | 43C1408 | 1        |
| CS (models)                          | 43C1409 | 1        |
| TW (models)                          | 43C1410 | 1        |
| HK (models)                          | 43C1411 | 1        |
| KR (models)                          | 43C1412 | 1        |
| SL (models)                          | 43C1413 | 1        |
| RE (models)                          | 43C1414 | 1        |

## Machine Type 8012



| Item # | 8012 FRUs  | FRU#    | CRU Tier | RoHS? |
|--------|--|---------|----------|-------|
| 1      | Bezel Asm (all models)                                     | 41A7857 | 1        | Y     |
| 2      | Chassis Asm (all models)                                   | 41A7863 | N        | Y     |
| 3      | Power supply, 310 W, standard (models CTO)                 | 41N3449 | 2        | Y     |
| 3      | Power supply, 310 W, China (models CTO D1V)                | 41N3452 | 2        | Y     |
| 3      | Power supply, 310 W, Japan (models CTO)                    | 41N3456 | 2        | Y     |
| 4      | Cover (all models)   | 39M0465 | 1        | Y     |
| 5      | Memory - 512MB DDR2 SDRAM NP Memory (PC 4200) (models CTO) | 30R5121 | 1        | Y     |
| 5      | Memory - 512MB DDR2 SDRAM NP Memory (PC 4200) (models CTO) | 41X4251 | 1        | Y     |
| 5      | Memory - 1GB DDR2 SDRAM NP Memory (PC 4200) (models CTO)   | 30R5122 | 1        | Y     |
| 5      | Memory - 2GB DDR2 SDRAM NP Memory (PC 4200) (models CTO)   | 30R5123 | 1        | Y     |
| 5      | Memory - 512MB DDR2 SDRAM NP (PC 5300) (models CTO D1V)    | 30R5125 | 1        | Y     |
| 5      | Memory - 1GB DDR2 SDRAM NP (PC 5300) (models CTO)          | 30R5126 | 1        | Y     |
| 5      | Memory - 1GB DDR2 SDRAM NP (PC 5300) (models CTO)          | 41X4252 | 1        | Y     |
| 5      | Memory - 2GB DDR2 SDRAM NP (PC 5300) (models CTO)          | 30R5127 | 1        | Y     |
| 5      | Memory - 512MB DDR2 SDRAM NP (PC 6400) (models CTO)        | 41X1079 | 1        | Y     |
| 5      | Memory - 1GB DDR2 SDRAM NP (PC 6400) (models CTO)          | 41X1080 | 1        | Y     |
| 5      | Memory - 2GB DDR2 SDRAM NP (PC 6400) (models CTO)          | 41X1081 | 1        | Y     |

| Item # | 8012 FRUs   | FRU#    | CRU Tier | RoHS? |
|--------|---|---------|----------|-------|
| 6      | Heat sink, aluminum (all models)  | 41A7855 | 2        | Y     |
| 7      | System board (G), (models CTO D1V)  | 43C7178 | N        | Y     |
| 7      | System board (AMT), (models CTO)  | 43C7179 | N        | Y     |
| 8      | Microprocessor, Pentium 4 3.06 GHz 533 FSB 1MB L2 (models CTO)                    | 41T4104 | N        | Y     |
| 8      | Microprocessor, Pentium 4 3.0 GHz 800 FSB 1MB L2 (models CTO)                     | 41T1701 | N        | Y     |
| 8      | Microprocessor, Pentium 4 3.2 GHz 800 FSB 1MB L2 (models CTO)                     | 41T1702 | N        | Y     |
| 8      | Microprocessor, Pentium 4 3.0 GHz 800 FSB 2MB L2 (models CTO)                     | 41T1712 | N        | Y     |
| 8      | Microprocessor, Pentium 4 3.2 GHz 800 FSB 2MB L2 (models CTO)                     | 41T1713 | N        | Y     |
| 8      | Microprocessor, Pentium 4 3.4 GHz 800 FSB 2MB L2 (models CTO)                     | 41T1714 | N        | Y     |
| 8      | Microprocessor, Pentium 4 3.6 GHz 800 FSB 2MB L2 (models CTO)                     | 41T1715 | N        | Y     |
| 8      | Microprocessor, Pentium D 2.8 GHz 800 FSB 1MB L2 (models CTO)                     | 41T1704 | N        | Y     |
| 8      | Microprocessor, Pentium D 2.8 GHz 800 FSB 2MB L2 (models CTO)                     | 41X7775 | N        | Y     |
| 8      | Microprocessor, Pentium D 3.0 GHz 800 FSB 2Mx2 L2 (models CTO)                    | 41X2413 | N        | Y     |
| 8      | Microprocessor, Pentium D 3.0 GHz 800 FSB 2Mx2 L2 (models CTO)                    | 41T1717 | N        | Y     |
| 8      | Microprocessor, Pentium D 3.2 GHz 800 FSB 2Mx2 L2 (models CTO)                    | 41X8050 | N        | Y     |
| 8      | Microprocessor, Pentium D 3.4 GHz 800 FSB 2Mx2 L2 (models CTO)                    | 41X7776 | N        | Y     |
| 8      | Microprocessor, Pentium E2140 800/1600MHZ-1M, LGA, EM64T (models CTO D1V)         | 43C1967 | N        | Y     |
| 8      | Microprocessor, Pentium E2160 800/1800MHZ-1M, LGA, EM64T (models CTO)             | 43C1968 | N        | Y     |
| 8      | Microprocessor, Pentium CONROE-L E2180 2.0GHz 800MHz FSB, 1M, EM64T (models)      | 45C1773 | N        | Y     |
| 8      | Microprocessor, Pentium CONROE-L E2220 2.4GHz 800MHz FSB, 1M, EM64T (models)      | 45C1774 | N        | Y     |
| 8      | Microprocessor, Core 2 Duo E4500 Processor 2.2GHz 800MHz FSB 2M (models)          | 43C6305 |          |       |
| 8      | Microprocessor, Conroe E6300 Processor 1.86GHz 1066MHz FSB 2M L2 (models CTO)     | 41X2495 | N        | Y     |
| 8      | Microprocessor, Core 2 Duo E6320 1.86GHz 1066MHz FSB 4M B2 (models CTO)           | 43C3829 | N        | Y     |
| 8      | Microprocessor, Conroe E6400 Processor 2.13GHz 1066MHz FSB 2M L2 (models CTO)     | 41X2496 | N        | Y     |
| 8      | Microprocessor, Core 2 Duo E6420 Processor 2.13GHz 1066MHz FSB 4M B2 (models CTO) | 43C3831 | N        | Y     |
| 8      | Microprocessor, Conroe E6600 Processor 2.40GHz 1066MHz FSB 4M L2 (models CTO)     | 41X5743 | N        | Y     |
| 8      | Microprocessor, Conroe E6700 Processor 2.67GHz 1066MHz FSB 4M L2 (models CTO)     | 41X5744 | N        | Y     |
| 8      | Microprocessor, Celeron D 2.66GHz 533MHz FSB 256KB L2 (models CTO)                | 41T1694 | N        | Y     |
| 8      | Microprocessor, Celeron D 2.80GHz 533MHz FSB 256KB L2 (models CTO)                | 41T1695 | N        | Y     |
| 8      | Microprocessor, Celeron D 3.06GHz 533MHz FSB 256KB L2 (models CTO)                | 41T1697 | N        | Y     |
| 8      | Microprocessor, Celeron D 3.06GHz 533MHz FSB 512KB L2 (models CTO)                | 42Y8530 | N        | Y     |
| 8      | Microprocessor, Celeron D 3.20GHz 533MHz FSB 256KB L2 (models CTO)                | 41T1698 | N        | Y     |

| Item # | 8012 FRUs   | FRU#    | CRU Tier | RoHS? |
|--------|---|---------|----------|-------|
| 8      | Microprocessor, Celeron D 3.20GHz 533MHz FSB 512KB L2 (models CTO)          | 41T4966 | N        | Y     |
| 8      | Microprocessor, Celeron D 3.33GHz 533MHz FSB 512KB L2 (models CTO)          | 41T4968 | N        | Y     |
| 8      | Microprocessor, Celeron D 3.33GHz 533MHz FSB 512KB L2 (models CTO)          | 41T4968 | N        | Y     |
| 8      | Microprocessor, Celeron 420 800/1600MHZ-512K,LGA,EM64T A1 (models CTO)      | 43C3835 | N        | Y     |
| 8      | Microprocessor, Celeron 430 800/1800MHZ-512K,LGA,EM64T A1 (models CTO)      | 43C1964 | N        | Y     |
| 8      | Microprocessor, Celeron 440 800/1800MHZ-512K,LGA,EM64T A1 (models CTO)      | 43C1965 | N        | Y     |
| 8      | Microprocessor, Core 2 Duo E4300 1.8GHz 800MHz FSB 2M L2 (models CTO)       | 42Y8009 | N        | Y     |
| 8      | Microprocessor, Core 2 Duo E4400 2.0GHz 800MHz FSB 2M L2 (models CTO)       | 43C2056 | N        | Y     |
| 9      | Front panel card Asm (all models)   | 41A7864 | 2        | Y     |
| 10     | Speaker Asm, Soldered Terminals (all models)                                | 39P5023 | 2        | Y     |
| 11     | Hard disk drive, 80GB, 7200RPM, Serial ATA (models CTO)                     | 40Y9034 | 1        | Y     |
| 11     | Hard disk drive, 80GB, 7200RPM, Serial ATA (models CTO)                     | 40Y8761 | 1        | Y     |
| 11     | Hard disk drive, 160GB, 7200RPM, Serial ATA (models CTO D1V)                | 40Y9035 | 1        | Y     |
| 11     | Hard disk drive, 160GB, 7200RPM, Serial ATA (models CTO D1V)                | 40Y8762 | 1        | Y     |
| 11     | Hard disk drive, 250GB, 7200RPM, Serial ATA (models CTO)                    | 40Y9036 | 1        | Y     |
| 11     | Hard disk drive, 250GB, 7200RPM, Serial ATA (models CTO)                    | 40Y8763 | 1        | Y     |
| 11     | Hard disk drive, 500GB, 7200RPM, Serial ATA (models CTO)                    | 41X5582 | 1        | Y     |
| 12     | Diskette drive, 1.44MB, 3-mode, w/o bezel (models CTO D1V)                  | 40Y9107 | 1        | Y     |
| 12     | Diskette drive, 1.44MB, 3-mode, w/o bezel (models CTO D1V)                  | 40Y9105 | 1        | Y     |
| 13     | DVD-ROM 16X/48X - Black-nonvista/vista (models CTO D1V)                     | 41N3325 | 1        | Y     |
| 13     | CD-RW/DVD-ROM Combo Drive 48X/32X/48X/16X Max---nonvista/vista (models CTO) | 42Y9353 | 1        | Y     |
| 13     | DVD-RW/CD-RW - SATA (models CTO)  | 41N3347 | 1        | Y     |
| 13     | DVD-ROM/CD-RW Combo Drive - 48x/32x/48x/16x - SATA (models CTO)             | 42Y6325 | 1        | Y     |
| 13     | DVD-RW/CD-RW Rambo 7 - SATA (models CTO)                                    | 41N3347 | 1        | Y     |
| 13     | DVD-RW/CD-RW Rambo 7 - SATA (models CTO)                                    | 42Y6374 | 1        | Y     |
| 13     | DVD-RW/CD-RW Rambo 7 - SATA (models CTO)                                    | 42Y6373 | 1        | Y     |
| 13     | DVD Recorder Rambo 8 - SATA (models CTO)                                    | 43C1042 | 1        | Y     |

The FRUs listed in the following table are not illustrated.

| 8012 FRUs                                     | FRU#    | CRU Tier | RoHS? |
|---|---------|----------|-------|
| Cable, C2 Switch (all models)                 | 39M0458 | 1        | Y     |
| Shield, 5.25 EMC (all models)                 | 39M0460 | 1        | Y     |
| Cable, SATA (18-inch RoHs) (all models)       | 26K1186 | 1        | Y     |
| Hard disk drive mounting bracket (all models) | 41R6367 | 1        | Y     |

| 8012 FRUs   | FRU#    | CRU Tier | RoHS? |
|---|---------|----------|-------|
| Cable, serial (all models)                              | 39K5021 | 1        | Y     |
| EMC shield, diskette drive (all models)                 | 39M0464 | 1        | Y     |
| Cable, diskette drive (RoHs) (all models)               | 26K1184 | 1        | Y     |
| Bezel asm, diskette drive, black (all models)           | 41A7806 | 1        | Y     |
| Fan duct Asm (all models)                               | 39M0470 | 1        | Y     |
| Device retaining clips (all models)                     | 39M0473 | 2        | Y     |
| Shield, system board (all models)                       | 41A7865 | N        | Y     |
| Miscellaneous hardware kit (all models)                 | 39M0477 | 1        | Y     |
| Cable, 1394 panel mount (all models)                    | 39M0478 | 1        | Y     |
| RM kit (all models)                                     | 39K5046 | N        | Y     |
| Thermal sense cable (460 mm) (all models)               | 41R2509 | 2        | Y     |
| Miscellaneous screw kit (all models)                    | 41R2477 | 2        | Y     |
| Cable, 2 Drop IDE (all models)                          | 39M0516 | 2        | Y     |
| Universal Adapter Bracket 5.25 to 3.5-inch (all models) | 32P4743 | 1        | Y     |

| 8012 Keyboards (USB Preferred - without hub) | FRU#    | CRU Tier | RoHS? |
|--|---------|----------|-------|
| US English (models CTO)                      | 41A5289 | 1        | Y     |
| China (models CTO)                           | TBD     | 1        | Y     |
| Arabic (models CTO)                          | 41A5290 | 1        | Y     |
| Arabic/French (models CTO)                   | 41A5291 | 1        | Y     |
| Belgian/French (models CTO)                  | 41A5292 | 1        | Y     |
| Belgian/UK (models CTO)                      | 41A5293 | 1        | Y     |
| Bulgarian (models CTO)                       | 41A5295 | 1        | Y     |
| Chinese/US (models CTO D1V)                  | 41A5296 | 1        | Y     |
| Czech (models CTO)                           | 41A5297 | 1        | Y     |
| Danish (models CTO)                          | 41A5298 | 1        | Y     |
| Dutch (models CTO)                           | 41A5299 | 1        | Y     |
| French (models CTO)                          | 41A5300 | 1        | Y     |
| French Canadian 445 (models CTO)             | 41A5301 | 1        | Y     |
| French Canadian 58 (models CTO)              | 41A5302 | 1        | Y     |
| German (models CTO)                          | 41A5303 | 1        | Y     |
| Greek (models CTO)                           | 41A5304 | 1        | Y     |
| Greek/US (models CTO)                        | 41A5305 | 1        | Y     |
| Hebrew (models CTO)                          | 41A5306 | 1        | Y     |
| Hungarian (models CTO)                       | 41A5307 | 1        | Y     |
| Iceland (models CTO)                         | 41A5308 | 1        | Y     |
| Italian 141 (models CTO)                     | 41A5309 | 1        | Y     |
| Japanese (models CTO)                        | 41A5310 | 1        | Y     |
| Korean (models CTO)                          | 41A5311 | 1        | Y     |

| <b>8012 Keyboards (USB Preferred - without hub)</b> | <b>FRU#</b> | <b>CRU Tier</b> | <b>RoHS?</b> |
|---|-------------|-----------------|--------------|
| LA Spanish (models CTO)                             | 41A5312     | 1               | Y            |
| Norwegian (models CTO)                              | 41A5313     | 1               | Y            |
| Polish (models CTO)                                 | 41A5314     | 1               | Y            |
| Portuguese (models CTO)                             | 41A5315     | 1               | Y            |
| Romanian 096 (models CTO)                           | 41A5317     | 1               | Y            |
| Romanian 446 (models CTO)                           | 41A5316     | 1               | Y            |
| Russian/Cyrillic (models CTO)                       | 41A5318     | 1               | Y            |
| Serbian/Cyrillic (models CTO)                       | 41A5319     | 1               | Y            |
| Slovak (models CTO)                                 | 41A5320     | 1               | Y            |
| Spanish (models CTO)                                | 41A5321     | 1               | Y            |
| Swedish/Finn (models CTO)                           | 41A5322     | 1               | Y            |
| Swiss (models CTO)                                  | 41A5323     | 1               | Y            |
| Thailand (models CTO)                               | 41A5324     | 1               | Y            |
| Turkish 440 (models CTO)                            | 41A5325     | 1               | Y            |
| Turkish 179 (models CTO)                            | 41A5326     | 1               | Y            |
| UK English (models CTO)                             | 41A5327     | 1               | Y            |
| US Euro (models CTO)                                | 41A5328     | 1               | Y            |
| Slovenian (models CTO)                              | 41A5329     | 1               | Y            |

| <b>8012 Keyboards (USB, Productivity)</b> | <b>FRU#</b> | <b>CRU Tier</b> | <b>RoHS?</b> |
|---|-------------|-----------------|--------------|
| US English (models CTO)                   | 41A4961     | 1               | Y            |
| Arabic (models CTO)                       | 41A4962     | 1               | Y            |
| Arabic/French (models CTO)                | 41A4963     | 1               | Y            |
| Belgian/French (models CTO)               | 41A4964     | 1               | Y            |
| Belgian/UK (models CTO)                   | 41A4965     | 1               | Y            |
| Brazilian (models CTO)                    | 41A4966     | 1               | Y            |
| Bulgarian (models CTO)                    | 41A4967     | 1               | Y            |
| Hong Kong/Taiwan (models CTO)             | 41A4968     | 1               | Y            |
| Czech (models CTO)                        | 41A4969     | 1               | Y            |
| Danish (models CTO)                       | 41A4970     | 1               | Y            |
| Dutch (models CTO)                        | 41A4971     | 1               | Y            |
| French (models CTO)                       | 41A4972     | 1               | Y            |
| French Canadian 445 (models CTO)          | 41A4973     | 1               | Y            |
| French Canadian 58 (models CTO)           | 41A4974     | 1               | Y            |
| German (models CTO)                       | 41A4975     | 1               | Y            |
| Greek (models CTO)                        | 41A4976     | 1               | Y            |
| Hebrew (models CTO)                       | 41A4977     | 1               | Y            |
| Hungarian (models CTO)                    | 41A4978     | 1               | Y            |
| Iceland (models CTO)                      | 41A4979     | 1               | Y            |

| <b>8012 Keyboards (USB, Productivity)</b> | <b>FRU#</b> | <b>CRU Tier</b> | <b>RoHS?</b> |
|---|-------------|-----------------|--------------|
| Italian (models CTO)                      | 41A4980     | 1               | Y            |
| Japanese (models CTO)                     | 41A4981     | 1               | Y            |
| Korean (models CTO)                       | 41A4982     | 1               | Y            |
| LA Spanish (models CTO)                   | 41A4983     | 1               | Y            |
| Norwegian (models CTO)                    | 41A4984     | 1               | Y            |
| Polish (models CTO)                       | 41A4985     | 1               | Y            |
| Portuguese (models CTO)                   | 41A4986     | 1               | Y            |
| Romanian (models CTO)                     | 41A4987     | 1               | Y            |
| Russian/Cy (models CTO)                   | 41A4988     | 1               | Y            |
| Serbian/Cyrillic (models CTO)             | 41A4989     | 1               | Y            |
| Slovak (models CTO)                       | 41A4990     | 1               | Y            |
| Spanish (models CTO)                      | 41A4991     | 1               | Y            |
| Swedish/Finn (models CTO)                 | 41A4992     | 1               | Y            |
| Swiss F/G (models CTO)                    | 41A4993     | 1               | Y            |
| Thailand (models CTO)                     | 41A4994     | 1               | Y            |
| Turkish 440 (models CTO)                  | 41A4995     | 1               | Y            |
| Turkish 179 (models CTO)                  | 41A4996     | 1               | Y            |
| UK English (models CTO)                   | 41A4997     | 1               | Y            |
| US Euro (models CTO)                      | 41A4998     | 1               | Y            |
| Slovenian (models CTO)                    | 41A4999     | 1               | Y            |

| <b>8012 Keyboards (Fingerprint Reader USB)</b> | <b>FRU#</b> | <b>CRU Tier</b> | <b>RoHS?</b> |
|--|-------------|-----------------|--------------|
| US English (models CTO)                        | 41A5248     | 1               | Y            |
| Arabic (models CTO)                            | 41A5249     | 1               | Y            |
| Arabic/French (models CTO)                     | 41A5250     | 1               | Y            |
| Belgian/French (models CTO)                    | 41A5251     | 1               | Y            |
| Belgian/UK (models CTO)                        | 41A5252     | 1               | Y            |
| Brazil/Portuguese (models CTO)                 | 41A5253     | 1               | Y            |
| Bulgarian (models CTO)                         | 41A5254     | 1               | Y            |
| Chinese (models CTO)                           | 41A5255     | 1               | Y            |
| Czech (models CTO)                             | 41A5256     | 1               | Y            |
| Danish (models CTO)                            | 41A5257     | 1               | Y            |
| Dutch (models CTO)                             | 41A5258     | 1               | Y            |
| French (models CTO)                            | 41A5259     | 1               | Y            |
| French Canadian 445 (models CTO)               | 41A5260     | 1               | Y            |
| French Canadian 58 (models CTO)                | 41A5261     | 1               | Y            |
| German (models CTO)                            | 41A5262     | 1               | Y            |
| Greek (models CTO)                             | 41A5263     | 1               | Y            |
| Greek/US (models CTO)                          | 41A5264     | 1               | Y            |

| <b>8012 Keyboards (Fingerprint Reader USB)</b> | <b>FRU#</b> | <b>CRU Tier</b> | <b>RoHS?</b> |
|--|-------------|-----------------|--------------|
| Hebrew (models CTO)                            | 41A5265     | 1               | Y            |
| Hungarian (models CTO)                         | 41A5266     | 1               | Y            |
| Iceland (models CTO)                           | 41A5267     | 1               | Y            |
| Italian 141 (models CTO)                       | 41A5268     | 1               | Y            |
| Japanese (models CTO)                          | 41A5269     | 1               | Y            |
| Korean (models CTO)                            | 41A5270     | 1               | Y            |
| LA Spanish (models CTO)                        | 41A5271     | 1               | Y            |
| Norwegian (models CTO)                         | 41A5272     | 1               | Y            |
| Polish (models CTO)                            | 41A5273     | 1               | Y            |
| Portuguese (models CTO)                        | 41A5274     | 1               | Y            |
| Romanian 096 (models CTO)                      | 41A5275     | 1               | Y            |
| Romanian 446 (models CTO)                      | 41A5276     | 1               | Y            |
| Russian/Cyrillic (models CTO)                  | 41A5277     | 1               | Y            |
| Serbian/Cyrillic (models CTO)                  | 41A5278     | 1               | Y            |
| Slovak (models CTO)                            | 41A5279     | 1               | Y            |
| Spanish (models CTO)                           | 41A5280     | 1               | Y            |
| Swedish/Finn (models CTO)                      | 41A5281     | 1               | Y            |
| Swiss (models CTO)                             | 41A5282     | 1               | Y            |
| Turkish 440 (models CTO)                       | 41A5284     | 1               | Y            |
| Turkish 179 (models CTO)                       | 41A5285     | 1               | Y            |
| UK English (models CTO)                        | 41A5286     | 1               | Y            |
| US Euro (models CTO)                           | 41A5287     | 1               | Y            |
| Slovenian (models CTO)                         | 41A5288     | 1               | Y            |

| <b>8012 Keyboards (UltraNav Fullsize USB Keyboard - Japan only)</b> | <b>FRU#</b> | <b>CRU Tier</b> | <b>RoHS?</b> |
|---|-------------|-----------------|--------------|
| Japan (models CTO)  | 41A5091     | 1               | Y            |

| <b>8012 Keyboards (UltraNav Travel USB Keyboard - Japan only)</b> | <b>FRU#</b> | <b>CRU Tier</b> | <b>RoHS?</b> |
|---|-------------|-----------------|--------------|
| Japan (models CTO)  | 41A5161     | 1               | Y            |

| <b>8012 mice</b>  | <b>FRU#</b> | <b>CRU Tier</b> | <b>RoHS?</b> |
|---|-------------|-----------------|--------------|
| Mouse, Optical Wheel (400DPI, USB) (models CTO D1V)       | 41U3013     | 1               | Y            |
| Mouse, Optical Wheel (400DPI, USB) (models CTO)           | 41U3030     | 1               | Y            |
| Mouse, ScrollPoint Optical (800DPI, USB) (models CTO D1V) | 41U3019     | 1               | Y            |

| <b>8012 Wireless I/O</b>       | <b>FRU#</b> | <b>CRU Tier</b> | <b>RoHS?</b> |
|--------------------------------|-------------|-----------------|--------------|
| Wireless Keyboard (models CTO) | 41A5219     | 1               | Y            |



| 8012 Wireless I/O              | FRU#    | CRU Tier | RoHS? |
|--------------------------------|---------|----------|-------|
| Wireless Mouse (models CTO)    | 41A5247 | 1        | Y     |
| Transceiver (USB) (models CTO) | 41A5246 | 1        | Y     |

| 8012 Adapters and miscellaneous FRU   | FRU#    | CRU Tier | RoHS? |
|---|---------|----------|-------|
| 256MB PCIe x16, full height (models CTO)                                    | 41T2725 | 1        | Y     |
| 128MB DDR ATI Radeon x300SE (DMS59 connector) (models CTO)                  | 39J9635 | 1        | Y     |
| PCI-E DVI-DConnection Adapter (Full Height) (models CTO)                    | 39J9334 | 1        | Y     |
| Nvidia GeForce 7300LE 128MB 64bit ATX/LP w/S-Video, no DVI (models CTO)     | 41X2669 | 1        | Y     |
| ATI Radeon X1300 256MB 128bit ATX VGA/S-Video/DVI (models CTO)              | 42Y8159 | 1        | Y     |
| IEEE 1394 Firewire Adapter - full height (models CTO)                       | 41D2781 | 1        | Y     |
| Speakers, Lenovo Branded (models CTO)                                       | 41A5334 | 1        | Y     |
| Thermal grease syringe (models CTO)   | 91P8835 | 1        | Y     |
| Nvidia GeForce 7300LE 128MB 64bit ATX/LP w/S-Video, with DMS59 (models CTO) | 42Y8165 | 1        | Y     |
| ATI X1300LE 256M 64bit LP/ATX with DMS59 (models CTO)                       | 42Y8162 | 1        | Y     |
| Dongle DMS Dule DMS-59 to dual VGA cable (models CTO)                       | 42Y8181 | 1        | Y     |
| Dongle DMS Dule DMS-59 to single VGA and DVI cable (models CTO)             | 42Y8183 | 1        | Y     |
| Dongle DMS Dule DMS-59 to dual DVI - I cable (models CTO)                   | 41X6398 | 1        | Y     |

| 8012 Power Cords   | FRU#    | CRU Tier | RoHS? |
|--|---------|----------|-------|
| Power cord - US (models CTO)                                       | 39M5080 | 1        | Y     |
| Power cord - China (models CTO)                                    | 39M5205 | 1        | Y     |
| Power cord - Japan (models CTO)                                    | 39M5193 | 1        | Y     |
| Power cord - Brazil (models CTO)                                   | 39M5232 | 1        | Y     |
| Power cord - LA High Volt (APU) (models CTO)                       | 39M5067 | 1        | Y     |
| Power cord - Australia/New Zealand (models CTO)                    | 39M5102 | 1        | Y     |
| Power cord - Korea (models CTO)                                    | 39M5212 | 1        | Y     |
| Power cord - Hong Kong (models CTO)                                | 39M5151 | 1        | Y     |
| Power cord - UK, Ireland, Singapore, Malaysia, Brunei (models CTO) | 39M5150 | 1        | Y     |
| Power cord - Taiwan (models CTO D1V)                               | 39M5246 | 1        | Y     |
| Power cord - Italy/Chile (models CTO)                              | 39M5164 | 1        | Y     |
| Power cord - G models (models CTO)                                 | 39M5122 | 1        | Y     |
| Power cord - Denmark (models CTO)                                  | 39M5129 | 1        | Y     |
| Power cord - Switzerland (models CTO)                              | 39M5157 | 1        | Y     |
| Power cord - Israel (models CTO)                                   | 39M5171 | 1        | Y     |
| Power cord - South Africa (models CTO)                             | 39M5143 | 1        | Y     |
| Power cord - India (models CTO)                                    | 39M5004 | 1        | Y     |

| 8012 Windows XP Home CDs        | FRU#     | CRU Tier | RoHS? |
|---------------------------------|----------|----------|-------|
| US/UK/AP/TH (models CTO)        | 42Y3242  | 1        | Y     |
| RE (models CTO)                 | 42Y5548  | 1        | Y     |
| FR/CF (models CTO)              | 42Y4491  | 1        | Y     |
| GR (models CTO)                 | 42Y4492  | 1        | Y     |
| SP/LA (models CTO)              | 42Y4493  | 1        | Y     |
| IT (models CTO)                 | 42Y4494  | 1        | Y     |
| BR (models CTO)                 | 42Y4495  | 1        | Y     |
| SV (models CTO)                 | 42Y4496  | 1        | Y     |
| DK (models CTO)                 | 42Y4497  | 1        | Y     |
| FI (models CTO)                 | 42Y5549  | 1        | Y     |
| NO (models CTO)                 | 42Y5550  | 1        | Y     |
| NL (models CTO)                 | 42Y5551  | 1        | Y     |
| Korea (models CTO)              | 42T8651  | 1        | Y     |
| Simplified Chinese (models CTO) | 42T8657  | 1        | Y     |
| Taiwan - TC (models CTO)        | 42T8663  | 1        | Y     |
| Hong Kong - TC (models CTO)     | 42T8669  | 1        | Y     |
| Japanese (models CTO)           | 42T8675  | 1        | Y     |
| HE (models CTO)                 | 42Y5552  | 1        | Y     |
| PL (models CTO)                 | 42Y5553  | 1        | Y     |
| CZ (models CTO)                 | 42Y5554  | 1        | Y     |
| AE (models CTO)                 | 42Y5555  | 1        | Y     |
| RU (models CTO)                 | 42Y5556  | 1        | Y     |
| TR (models CTO)                 | 42Y5557  | 1        | Y     |
| HU (models CTO)                 | 42Y5558  | 1        | Y     |
| PO (models CTO)                 | 42Y5559  | 1        | Y     |
| GK (models CTO)                 | 42Y55560 | 1        | Y     |

| 8012 Windows XP Pro Recovery CDs | FRU#    | CRU Tier | RoHS? |
|----------------------------------|---------|----------|-------|
| US/UK/AP/TH (models CTO)         | 42Y3236 | 1        | Y     |
| RE (models CTO)                  | 42Y5464 | 1        | Y     |
| FR/CF (models CTO)               | 42Y4449 | 1        | Y     |
| GR (models CTO)                  | 42Y4450 | 1        | Y     |
| SP/LA (models CTO)               | 42Y4451 | 1        | Y     |
| IT (models CTO)                  | 42Y4452 | 1        | Y     |
| BR (models CTO)                  | 42Y4453 | 1        | Y     |
| SV (models CTO)                  | 42Y4454 | 1        | Y     |
| DK (models CTO)                  | 42Y4455 | 1        | Y     |
| FI (models CTO)                  | 42Y5465 | 1        | Y     |
| NO (models CTO)                  | 42Y5466 | 1        | Y     |

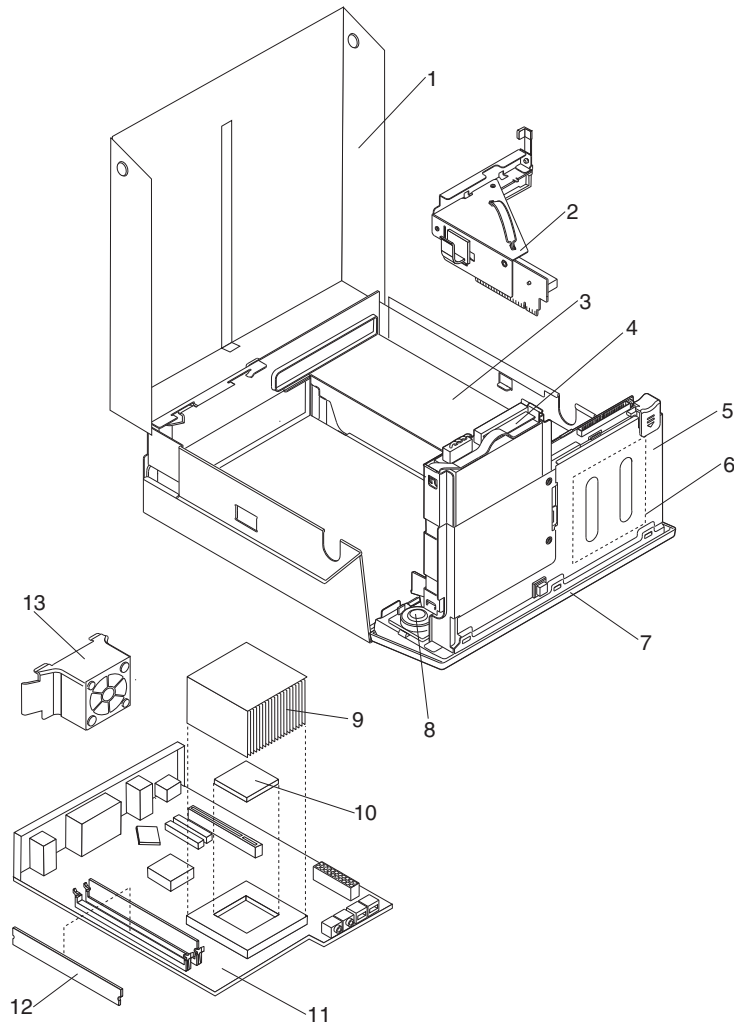
| 8012 Windows XP Pro Recovery CDs                  | FRU#    | CRU Tier | RoHS? |
|---|---------|----------|-------|
| NL (models CTO)                                   | 42Y5467 | 1        | Y     |
| Korea (models CTO)                                | 42T8621 | 1        | Y     |
| Simplified Chinese (models CTO)                   | 42T8627 | 1        | Y     |
| Taiwan - TC (models CTO)                          | 42T8633 | 1        | Y     |
| Hong Kong - TC (models CTO)                       | 42T8639 | 1        | Y     |
| Japanese (models CTO)                             | 42T8645 | 1        | Y     |
| HE (models CTO)                                   | 42Y5468 | 1        | Y     |
| PL (models CTO)                                   | 42Y5469 | 1        | Y     |
| CZ (models CTO)                                   | 42Y5470 | 1        | Y     |
| AE (models CTO)                                   | 42Y5471 | 1        | Y     |
| RU (models CTO)                                   | 42Y5472 | 1        | Y     |
| TR (models CTO)                                   | 42Y5473 | 1        | Y     |
| HU (models CTO)                                   | 42Y5474 | 1        | Y     |
| PO (models CTO)                                   | 42Y5475 | 1        | Y     |
| GK (models CTO)                                   | 42Y5476 | 1        | Y     |
| SL (models CTO)                                   | 42Y5477 | 1        | Y     |
| Multilingual 1 -- EN, NL, FR, GR, IT (models CTO) | 42Y4533 | 1        | Y     |
| Multilingual 2 -- EN, DK, FI, NO, SV (models CTO) | 42Y5626 | 1        | Y     |

| 8012 Vista Home Basic 32 Recovery DVDs | FRU#    | CRU Tier |
|--|---------|----------|
| US/UK/AP/TH (models CTO)               | 43C1440 | 1        |
| FR/CF (models CTO)                     | 43C1441 | 1        |
| GR (models CTO)                        | 43C1442 | 1        |
| SP/LA (models CTO)                     | 43C1443 | 1        |
| BR (models CTO)                        | 43C1444 | 1        |
| IT (models CTO)                        | 43C1445 | 1        |
| JP (models CTO)                        | 43C1446 | 1        |
| NO (models CTO)                        | 43C1447 | 1        |
| SV (models CTO)                        | 43C1448 | 1        |
| DK (models CTO)                        | 43C1449 | 1        |
| NL (models CTO)                        | 43C1450 | 1        |
| CZ (models CTO)                        | 43C1451 | 1        |
| FI (models CTO)                        | 43C1452 | 1        |
| PL (models CTO)                        | 43C1453 | 1        |
| RU (models CTO)                        | 43C1454 | 1        |
| TR (models CTO)                        | 43C1455 | 1        |
| HU (models CTO)                        | 43C1456 | 1        |
| GK (models CTO)                        | 43C1457 | 1        |
| PO (models CTO)                        | 43C1458 | 1        |
| CS (models CTO)                        | 43C1459 | 1        |

| 8012 Vista Home Basic 32 Recovery DVDs | FRU#    | CRU Tier |
|--|---------|----------|
| TW (models CTO)                        | 43C1460 | 1        |
| HK (models CTO)                        | 43C1461 | 1        |
| KR (models CTO)                        | 43C1462 | 1        |
| SL (models CTO)                        | 43C1463 | 1        |
| RE (models CTO)                        | 43C1464 | 1        |

| 8012 Vista Business 32 Recovery DVDs | FRU#    | CRU Tier |
|--------------------------------------|---------|----------|
| US/UK/AP/TH (models CTO)             | 43C1390 | 1        |
| FR/CF (models CTO)                   | 43C1391 | 1        |
| GR (models CTO)                      | 43C1392 | 1        |
| SP/LA (models CTO)                   | 43C1393 | 1        |
| BR (models CTO)                      | 43C1394 | 1        |
| IT (models CTO)                      | 43C1395 | 1        |
| JP (models CTO)                      | 43C1396 | 1        |
| NO (models CTO)                      | 43C1397 | 1        |
| SV (models CTO)                      | 43C1398 | 1        |
| DK (models CTO)                      | 43C1399 | 1        |
| NL (models CTO)                      | 43C1400 | 1        |
| CZ (models CTO)                      | 43C1401 | 1        |
| FI (models CTO)                      | 43C1402 | 1        |
| PL (models CTO)                      | 43C1403 | 1        |
| RU (models CTO)                      | 43C1404 | 1        |
| TR (models CTO)                      | 43C1405 | 1        |
| HU (models CTO)                      | 43C1406 | 1        |
| GK (models CTO)                      | 43C1407 | 1        |
| PO (models CTO)                      | 43C1408 | 1        |
| CS (models CTO)                      | 43C1409 | 1        |
| TW (models CTO)                      | 43C1410 | 1        |
| HK (models CTO)                      | 43C1411 | 1        |
| KR (models CTO)                      | 43C1412 | 1        |
| SL (models CTO)                      | 43C1413 | 1        |
| RE (models CTO)                      | 43C1414 | 1        |

# Machine Type 8791



| Item # | 8791 FRUs   | FRU#    | CRU Tier | RoHS? |
|--------|---|---------|----------|-------|
| 1      | Top Cover (all models)  | 89P6782 | 1        | Y     |
| 2      | Pocono Interposal Card (all models)   | 41R2902 | 1        | Y     |
| 2      | PCI Riser Card Bracket Asm (all models)                                       | 41N8276 | 1        | Y     |
| 2      | Riser Card Bracket Asm, Flippable PCI and PCIX/DVI, RoHS (all models)         | 39M0618 | 1        | Y     |
| 3      | Power Supply 225 Watt (models CTO B1G B2G)                                    | 41N3105 | N        | Y     |
| 3      | Power Supply 225 Watt (models)  | 41A9735 | N        | Y     |
| 4      | Hard disk drive 80GB 7200rpm Serial ATA, (models CTO)                         | 40Y9034 | 1        | Y     |
| 4      | Hard disk drive 80GB 7200rpm Serial ATA, (models CTO)                         | 40Y8761 | 1        | Y     |
| 4      | Hard disk drive 160GB 7200rpm Serial ATA (models CTO A1C A1V B1G B2G A2Q A2J) | 40Y9035 | 1        | Y     |
| 4      | Hard disk drive 160GB 7200rpm Serial ATA (models CTO A1C A1V B1G B2G A2Q A2J) | 40Y8762 | 1        | Y     |
| 4      | Hard disk drive 250GB 7200rpm Serial ATA (models CTO)                         | 40Y9036 | 1        | Y     |
| 4      | Hard disk drive 250GB 7200rpm Serial ATA (models CTO)                         | 40Y8763 | 1        | Y     |

| Item # | 8791 FRUs  | FRU#    | CRU Tier | RoHS? |
|--------|--|---------|----------|-------|
| 4      | Hard disk drive 500GB 7200rpm Serial ATA (models CTO)  | 41X5582 | 1        | Y     |
| 5      | Front Rotating Cage assembly (all models)  | 41N5315 | 2        | Y     |
| 6      | CD-RW/DVD-ROM Combo Drive 48X/32X/48X/16X Max--vista and nonvista (models CTO A1C A1V B1G B2G A2Q A2J) | 87H4936 | 1        | Y     |
| 6      | CD-RW/DVD-ROM Combo Drive 48X/32X/48X/16X Max--vista and nonvista (models CTO A1C A1V B1G B2G A2Q A2J) | 43C5016 | 1        | Y     |
| 6      | CD-RW/DVD-ROM Combo Drive 48X/32X/48X/16X Max-nonvista / vista (models CTO A1C A1V B1G B2G A2Q A2J)    | 43C2648 | 1        | Y     |
| 6      | CD-RW/DVD-ROM Combo Drive 48X/32X/48X/16X Max-nonvista / vista (models CTO A1C A1V B1G B2G A2Q A2J)    | 43C2649 | 1        | Y     |
| 6      | DVD-RW/CD-RW Rambo 5 - IDE-vista (models CTO)  | 87H4937 | 1        | Y     |
| 6      | DVD-RW/CD-RW - IDE (models CTO)  | 41N3355 | 1        | Y     |
| 6      | DVD-RW/CD-RW Rambo 5 - IDE (models CTO)  | 43C0053 | 1        | Y     |
| 6      | DVD-RW/CD-RW Rambo 5 - IDE--vista and nonvista (models CTO)  | 42Y3910 | 1        | Y     |
| 7      | Front Bezel (all models)   | 41N5316 | 1        | Y     |
| 8      | Speaker and Cable assembly (all models)  | 39K5012 | 1        | Y     |
| 9      | Heat Sink (all models)   | 41A7711 | 2        | Y     |
| 10     | Microprocessor, Pentium 4 3.06 GHz 533 FSB 1MB L2 (models CTO)   | 41T4104 | N        | Y     |
| 10     | Microprocessor, Pentium 4 3.0 GHz 800 FSB 1MB L2 (models CTO)  | 41T1701 | N        | Y     |
| 10     | Microprocessor, Pentium 4 3.2 GHz 800 FSB 1MB L2 (models CTO)  | 41T1702 | N        | Y     |
| 10     | Microprocessor, Pentium 4 3.0 GHz 800 FSB 2MB L2 (models CTO)  | 41T1712 | N        | Y     |
| 10     | Microprocessor, Pentium 4 3.2 GHz 800 FSB 2MB L2 (models CTO)  | 41T1713 | N        | Y     |
| 10     | Microprocessor, Pentium 4 3.4 GHz 800 FSB 2MB L2 (models CTO)  | 41T1714 | N        | Y     |
| 10     | Microprocessor, Pentium 4 3.6 GHz 800 FSB 2MB L2 (models CTO)  | 41T1715 | N        | Y     |
| 10     | Microprocessor, Pentium D 2.8 GHz 800 FSB 1MB L2 (models CTO)  | 41T1704 | N        | Y     |
| 10     | Microprocessor, Pentium D 2.8 GHz 800 FSB 2MB L2 (models CTO B1G B2G )                                 | 41X7775 | N        | Y     |
| 10     | Microprocessor, Pentium D 3.0 GHz 800 FSB 2Mx2 L2 (models CTO A1C A1V A2Q A2J)                         | 41X2413 | N        | Y     |
| 10     | Microprocessor, Pentium D 3.0 GHz 800 FSB 2Mx2 L2 (models CTO)   | 41T1717 | N        | Y     |
| 10     | Microprocessor, Pentium D 3.2 GHz 800 FSB 2Mx2 L2 (models CTO)   | 41X8050 | N        | Y     |
| 10     | Microprocessor, Pentium D 3.4 GHz 800 FSB 2Mx2 L2 (models CTO)   | 41X7776 | N        | Y     |
| 10     | Microprocessor, Pentium E2140 800/1600MHZ-1M, LGA, EM64T (models CTO)                                  | 43C1967 | N        | Y     |
| 10     | Microprocessor, Pentium E2160 800/1800MHZ-1M, LGA, EM64T (models CTO)                                  | 43C1968 | N        | Y     |
| 10     | Microprocessor, Conroe E6300 Processor 1.86GHz 1066MHz FSB 2M L2 (models CTO)                          | 41X2495 | N        | Y     |
| 10     | Microprocessor, Pentium CONROE-L E2180 2.0GHz 800MHz FSB, 1M, EM64T (models)                           | 45C1773 | N        | Y     |
| 10     | Microprocessor, Pentium CONROE-L E2220 2.4GHz 800MHz FSB, 1M, EM64T (models)                           | 45C1774 | N        | Y     |
| 10     | Microprocessor, Core 2 Duo E4500 Processor 2.2GHz 800MHz FSB 2M (models)                               | 43C6305 | N        | Y     |

| Item # | 8791 FRUs   | FRU#    | CRU Tier | RoHS? |
|--------|---|---------|----------|-------|
| 10     | Microprocessor, Core 2 Duo E6320 1.86GHz 1066MHz FSB 4M B2 (models CTO)           | 43C3829 | N        | Y     |
| 10     | Microprocessor, Conroe E6400 Processor 2.13GHz 1066MHz FSB 2M L2 (models CTO)     | 41X2496 | N        | Y     |
| 10     | Microprocessor, Core 2 Duo E6420 Processor 2.13GHz 1066MHz FSB 4M B2 (models CTO) | 43C3831 | N        | Y     |
| 10     | Microprocessor, Conroe E6600 Processor 2.4GHz 1066MHz FSB 4M L2 (models CTO)      | 41X5743 | N        | Y     |
| 10     | Microprocessor, Conroe E6700 Processor 2.67GHz 1066MHz FSB 4M L2 (models CTO)     | 41X5744 | N        | Y     |
| 10     | Microprocessor, Celeron D 2.66GHz 533MHz FSB 256KB L2 (models CTO)                | 41T1694 | N        | Y     |
| 10     | Microprocessor, Celeron D 2.80GHz 533MHz FSB 256KB L2 (models CTO)                | 41T1695 | N        | Y     |
| 10     | Microprocessor, Celeron D 3.06GHz 533MHz FSB 256KB L2 (models CTO)                | 41T1697 | N        | Y     |
| 10     | Microprocessor, Celeron D 3.06GHz 533MHz FSB 512KB L2 (models CTO)                | 42Y8530 | N        | Y     |
| 10     | Microprocessor, Celeron D 3.20GHz 533MHz FSB 256KB L2 (models CTO)                | 41T1698 | N        | Y     |
| 10     | Microprocessor, Celeron D 3.20GHz 533MHz FSB 512KB L2 (models CTO)                | 41T4966 | N        | Y     |
| 10     | Microprocessor, Celeron D 3.33GHz 533MHz FSB 512KB L2 (models CTO)                | 41T4968 | N        | Y     |
| 10     | Microprocessor, Celeron 420 800/1600MHZ-512K,LGA,EM64T A1 (models CTO)            | 43C3835 | N        | Y     |
| 10     | Microprocessor, Celeron 430 800/1800MHZ-512K,LGA,EM64T A1 (models CTO)            | 43C1964 | N        | Y     |
| 10     | Microprocessor, Celeron 440 800/1800MHZ-512K,LGA,EM64T A1 (models CTO)            | 43C1965 | N        | Y     |
| 10     | Microprocessor, Core 2 Duo E4300 1.8GHz 800MHz FSB 2M L2 (models CTO)             | 42Y8009 | N        | Y     |
| 10     | Microprocessor, Core 2 Duo E4400 2.0GHz 800MHz FSB 2M L2 (models CTO)             | 43C2056 | N        | Y     |
| 11     | System board (models CTO A1C A1V B1G B2G A2Q A2J)                                 | 43C7181 | 2        | Y     |
| 12     | Memory - 512MB DDR2 SDRAM NP Memory (PC 4200) (models CTO)                        | 30R5121 | 1        | Y     |
| 12     | Memory - 512MB DDR2 SDRAM NP Memory (PC 4200) (models CTO)                        | 41X4251 | 1        | Y     |
| 12     | Memory - 1GB DDR2 SDRAM NP Memory (PC 4200) (models CTO B2G)                      | 30R5122 | 1        | Y     |
| 12     | Memory - 2GB DDR2 SDRAM NP Memory (PC 4200) (models CTO)                          | 30R5123 | 1        | Y     |
| 12     | Memory - 512MB DDR2 SDRAM NP (PC 5300) (models CTO A2Q A2J)                       | 30R5125 | 1        | Y     |
| 12     | Memory - 1GB DDR2 SDRAM NP (PC 5300) (models CTO A1C A1V B1G)                     | 30R5126 | 1        | Y     |
| 12     | Memory - 1GB DDR2 SDRAM NP (PC 5300) (models CTO A1C A1V B1G)                     | 41X4252 | 1        | Y     |
| 12     | Memory - 2GB DDR2 SDRAM NP (PC 5300) (models CTO)                                 | 30R5127 | 1        | Y     |
| 12     | Memory - 512MB DDR2 SDRAM NP Memory (PC 6400) (models CTO)                        | 41X1079 | 1        | Y     |
| 12     | Memory - 1GB DDR2 SDRAM NP Memory (PC 6400) (models CTO)                          | 41X1080 | 1        | Y     |
| 12     | Memory - 2GB DDR2 SDRAM NP Memory (PC 6400) (models CTO)                          | 41X1081 | 1        | Y     |
| 13     | Rear exhaust fan (all models)   | 39M0551 | 1        | Y     |

The FRUs listed in the following table are not illustrated.

| 8791 FRUs  | FRU#    | CRU Tier | RoHS? |
|--|---------|----------|-------|
| Bezel, Ultra-Bay-Enhanced (all models)                                     | 89P6804 | 1        | Y     |
| HSS Tray assembly (includes grommet/pins/brkt/ground springs) (all models) | 89P6778 | 1        | Y     |
| Power/LED cable assembly with bracket (all models)                         | 39K5055 | 2        | Y     |
| Chassis and cover assembly (all models)                                    | 41N5314 | 2        | Y     |
| Cable, SATA hard disk drive and optical drive (all models)                 | 39K5061 | 1        | Y     |
| Ultra Bay Enhanced Cable/Card Assembly (all models)                        | 41N5305 | 2        | Y     |
| Fan assembly, front (all models)   | 41R6359 | 1        | Y     |
| Vertical stand (all models)  | 89P6792 | 1        | Y     |
| Rear air deflector (all models)  | 89P6793 | 1        | Y     |
| Miscellaneous hardware kit (all models)                                    | 89P6794 | 1        | Y     |
| Plastic parts kit (all models)   | 39M0575 | 2        | Y     |
| Battery 3.0V (all models)  | 33F8354 | 1        | Y     |
| Underdesk Mounting Kit (all models)  | 39M0599 | 1        | Y     |
| Chassis Intrusion Switch-C2 Cable-Switch (models CTO)                      | 39K5022 | 1        | Y     |
| Thermal Sense cable (850 mm) (all models)                                  | 41R2511 | 1        | Y     |

| 8791 Keyboards (USB Preferred - without hub) | FRU#    | CRU Tier | RoHS? |
|--|---------|----------|-------|
| US English (models B1G B2G A2Q)              | 41A5289 | 1        | Y     |
| China (models A1C)                           | TBD     | 1        | Y     |
| Arabic (models B1G B2G)                      | 41A5290 | 1        | Y     |
| Belgian/French (models B1G B2G)              | 41A5292 | 1        | Y     |
| Belgian/UK (models B1G B2G)                  | 41A5293 | 1        | Y     |
| Bulgarian (models B1G B2G)                   | 41A5295 | 1        | Y     |
| Chinese/US (models A1V)                      | 41A5296 | 1        | Y     |
| Czech (models B1G B2G)                       | 41A5297 | 1        | Y     |
| Danish (models B1G B2G)                      | 41A5298 | 1        | Y     |
| Dutch (models B1G B2G)                       | 41A5299 | 1        | Y     |
| French (models B1G B2G)                      | 41A5300 | 1        | Y     |
| German (models B1G B2G)                      | 41A5303 | 1        | Y     |
| Greek (models B1G B2G)                       | 41A5304 | 1        | Y     |
| Greek/US (models B1G B2G)                    | 41A5305 | 1        | Y     |
| Hebrew (models B1G B2G)                      | 41A5306 | 1        | Y     |
| Hungarian (models B1G B2G)                   | 41A5307 | 1        | Y     |
| Iceland (models B1G B2G)                     | 41A5308 | 1        | Y     |
| Italian 141 (models B1G B2G)                 | 41A5309 | 1        | Y     |
| Japanese (models A2J)                        | 41A5310 | 1        | Y     |
| Norwegian (models B1G B2G)                   | 41A5313 | 1        | Y     |
| Polish (models B1G B2G)                      | 41A5314 | 1        | Y     |
| Portuguese (models B1G B2G)                  | 41A5315 | 1        | Y     |



| <b>8791 Keyboards (USB Preferred - without hub)</b> | <b>FRU#</b> | <b>CRU Tier</b> | <b>RoHS?</b> |
|---|-------------|-----------------|--------------|
| Romanian 096 (models B1G B2G)                       | 41A5317     | 1               | Y            |
| Romanian 446 (models B1G B2G)                       | 41A5316     | 1               | Y            |
| Russian/Cyrillic (models B1G B2G)                   | 41A5318     | 1               | Y            |
| Serbian/Cyrillic (models B1G B2G)                   | 41A5319     | 1               | Y            |
| Slovak (models B1G B2G)                             | 41A5320     | 1               | Y            |
| Spanish (models B1G B2G)                            | 41A5321     | 1               | Y            |
| Swedish/Finn (models B1G B2G)                       | 41A5322     | 1               | Y            |
| Swiss (models B1G B2G)                              | 41A5323     | 1               | Y            |
| Turkish 440 (models B1G B2G)                        | 41A5325     | 1               | Y            |
| Turkish 179 (models B1G B2G)                        | 41A5326     | 1               | Y            |
| UK English (models B1G B2G)                         | 41A5327     | 1               | Y            |
| US Euro (models B1G B2G)                            | 41A5328     | 1               | Y            |
| Slovenian (models B1G B2G)                          | 41A5329     | 1               | Y            |

| <b>8791 Mice</b>  | <b>FRU#</b> | <b>CRU Tier</b> | <b>RoHS?</b> |
|---|-------------|-----------------|--------------|
| Mouse, Optical Wheel (400DPI, USB) (models CTO A1C A1V B1G B2G A2Q A2J) | 41U3013     | 1               | Y            |
| Mouse, ScrollPoint Optical (800DPI, USB) (models CTO)                   | 41U3019     | 1               | Y            |
| Mouse, Optical Wheel (400DPI, USB) (models CTO A1C A1V B1G B2G A2Q A2J) | 41U3030     | 1               | Y            |

| <b>8791 Wireless I/O</b>       | <b>FRU#</b> | <b>CRU Tier</b> | <b>RoHS?</b> |
|--------------------------------|-------------|-----------------|--------------|
| Wireless Keyboard (models CTO) | 41A5219     | 1               | Y            |
| Wireless Mouse (models CTO)    | 41A5247     | 1               | Y            |
| Transceiver (USB) (models CTO) | 41A5246     | 1               | Y            |

| <b>8791 Adapters and miscellaneous FRUs</b>                          | <b>FRU#</b> | <b>CRU Tier</b> | <b>RoHS?</b> |
|--|-------------|-----------------|--------------|
| PCI-E DVI-DConnection Adapter (Full Height) (models CTO)             | 39J9334     | 1               | Y            |
| IEEE 1394 Firewire Adapter - full height (models CTO)                | 41D2781     | 1               | Y            |
| Speakers, (2-piece) (Lenovo logo) (models CTO)                       | 41A5331     | 1               | Y            |
| Speakers, Lenovo Branded (models CTO)                                | 41A5334     | 1               | Y            |
| Speaker Power brick - US, Canada, LA low voltage, ASEAN (models CTO) | 89P8571     | 1               | Y            |
| Speaker Power brick - LA high voltage (non-APU) (models CTO)         | 89P8575     | 1               | Y            |
| Speaker Power brick - China, Thailand (models CTO)                   | 89P8581     | 1               | Y            |
| Speaker Power brick - Japan (models CTO)                             | 89P8577     | 1               | Y            |
| Speaker Power brick - Brazil (models CTO)                            | 89P8583     | 1               | Y            |
| Speaker Power brick - Argentina (models CTO)                         | 41A4901     | 1               | Y            |
| Speaker Power brick - ANZ (models CTO)                               | 89P8579     | 1               | Y            |
| Speaker Power brick - Korea (models CTO)                             | 41A4903     | 1               | Y            |
| Speaker Brick - Hong Kong, EMEA (models CTO)                         | 89P8573     | 1               | Y            |

| <b>8791 Adapters and miscellaneous FRUs</b>            | <b>FRU#</b> | <b>CRU Tier</b> | <b>RoHS?</b> |
|--|-------------|-----------------|--------------|
| Speaker Power brick - Taiwan (models CTO)              | 41A4905     | 1               | Y            |
| Speaker Power brick - India, South Africa (models CTO) | 89P8585     | 1               | Y            |
| Thermal Grease Syringe (all models)                    | 91P8835     | 1               | Y            |

| <b>8791 Power Cords</b>  | <b>FRU#</b> | <b>CRU Tier</b> | <b>RoHS?</b> |
|--|-------------|-----------------|--------------|
| Power Cord (US) (models CTO-U)   | 39M5080     | 1               | Y            |
| Power Cord (China) (models CTO-A A1C)  | 39M5205     | 1               | Y            |
| Power Cord (Japan) (models CTO-A A2J)  | 39M5193     | 1               | Y            |
| Power Cord (Brazil) (models CTO-L)   | 39M5232     | 1               | Y            |
| Power Cord (LA), (High Volt) (APU) (models CTO-L)                                  | 39M5067     | 1               | Y            |
| Power Cord (Australia, New Zealand) (models CTO-A)                                 | 39M5102     | 1               | Y            |
| Power Cord (Korea) (models CTO-A)  | 39M5212     | 1               | Y            |
| Power Cord (Hong Kong) (models CTO-A)  | 39M5151     | 1               | Y            |
| Power Cord (UK, Ireland, Singapore, Malaysia, Brunei) (models CTO-G CTO-A B1G B2G) | 39M5150     | 1               | Y            |
| Power Cord (Taiwan) (models CTO-A A1V)   | 39M5246     | 1               | Y            |
| Power Cord (Italy) (models CTO-G B1G B2G)  | 39M5164     | 1               | Y            |
| Power Cord (G models) (models CTO-G CTO-A)   | 39M5122     | 1               | Y            |
| Power Cord (Denmark) (models CTO-G B1G B2G)  | 39M5129     | 1               | Y            |
| Power Cord (Switzerland) (models CTO-G B1G B2G)                                    | 39M5157     | 1               | Y            |
| Power Cord (Israel) (models CTO-G B1G B2G)   | 39M5171     | 1               | Y            |
| Power Cord (South Africa) (models CTO-G B1G B2G)                                   | 39M5143     | 1               | Y            |
| Power Cord (India) (models CTO-A A2Q)  | 39M5004     | 1               | Y            |

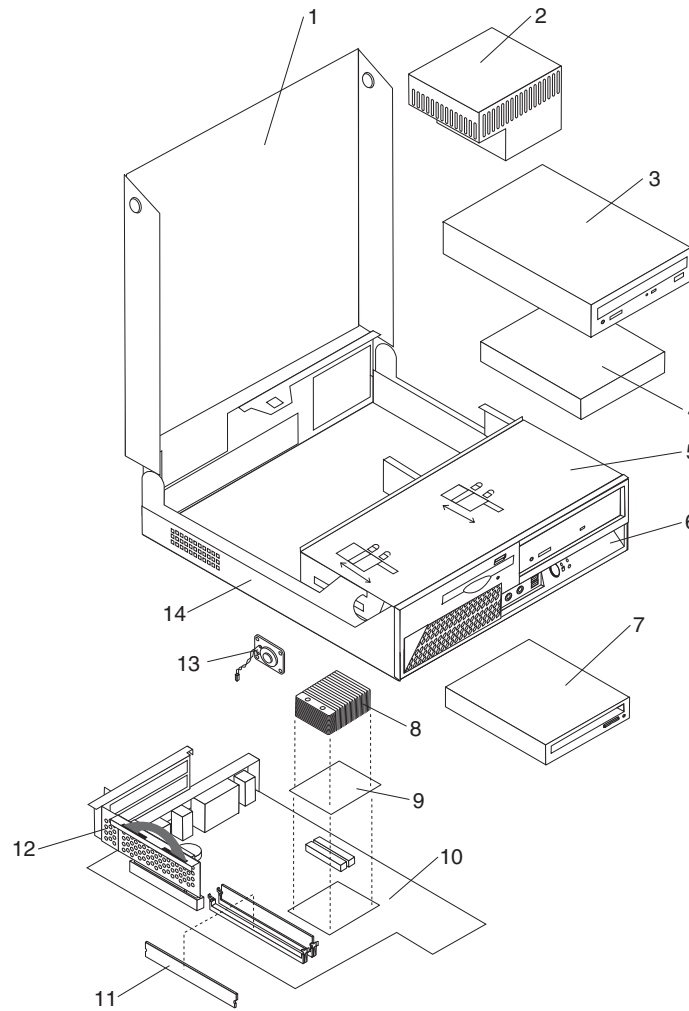
| <b>8791 Windows XP Pro Recovery CDs</b> | <b>FRU#</b> | <b>CRU Tier</b> | <b>RoHS?</b> |
|---|-------------|-----------------|--------------|
| US/UK/AP/TH (models B2G A2Q)            | 42Y3236     | 1               | Y            |
| RE (models B2G)                         | 42Y5464     | 1               | Y            |
| FR/CF (models B2G)                      | 42Y4449     | 1               | Y            |
| GR (models B2G)                         | 42Y4450     | 1               | Y            |
| SP/LA (models B2G)                      | 42Y4451     | 1               | Y            |
| IT (models B2G)                         | 42Y4452     | 1               | Y            |
| SV (models B2G)                         | 42Y4454     | 1               | Y            |
| DK (models B2G)                         | 42Y4455     | 1               | Y            |
| FI (models B2G)                         | 42Y5465     | 1               | Y            |
| NO (models B2G)                         | 42Y5466     | 1               | Y            |
| NL (models B2G)                         | 42Y5467     | 1               | Y            |
| Simplified Chinese (models A1C)         | 42T8627     | 1               | Y            |
| Taiwan - TC (models A1V)                | 42T8633     | 1               | Y            |
| Japanese (models A2J)                   | 42T8645     | 1               | Y            |

| <b>8791 Windows XP Pro Recovery CDs</b>           | <b>FRU#</b> | <b>CRU Tier</b> | <b>RoHS?</b> |
|---|-------------|-----------------|--------------|
| HE (models B2G)                                   | 42Y5468     | 1               | Y            |
| PL (models B2G)                                   | 42Y5469     | 1               | Y            |
| CZ (models B2G)                                   | 42Y5470     | 1               | Y            |
| AE (models B2G)                                   | 42Y5471     | 1               | Y            |
| RU (models B2G)                                   | 42Y5472     | 1               | Y            |
| TR (models B2G)                                   | 42Y5473     | 1               | Y            |
| HU (models B2G)                                   | 42Y5474     | 1               | Y            |
| PO (models B2G)                                   | 42Y5475     | 1               | Y            |
| GK (models B2G)                                   | 42Y5476     | 1               | Y            |
| SL (models B2G)                                   | 42Y5477     | 1               | Y            |
| Multilingual 1 -- EN, NL, FR, GR, IT (models B2G) | 42Y4533     | 1               | Y            |
| Multilingual 2 -- EN, DK, FI, NO, SV (models B2G) | 42Y5626     | 1               | Y            |

| <b>8791 Vista Home Basic 32 Recovery DVDs</b> | <b>FRU#</b> | <b>CRU Tier</b> |
|---|-------------|-----------------|
| US/UK/AP/TH (models)                          | 43C1440     | 1               |
| FR/CF (models)                                | 43C1441     | 1               |
| GR (models)                                   | 43C1442     | 1               |
| SP/LA (models)                                | 43C1443     | 1               |
| BR (models)                                   | 43C1444     | 1               |
| IT (models)                                   | 43C1445     | 1               |
| JP (models)                                   | 43C1446     | 1               |
| NO (models)                                   | 43C1447     | 1               |
| SV (models)                                   | 43C1448     | 1               |
| DK (models)                                   | 43C1449     | 1               |
| NL (models)                                   | 43C1450     | 1               |
| CZ (models)                                   | 43C1451     | 1               |
| FI (models)                                   | 43C1452     | 1               |
| PL (models)                                   | 43C1453     | 1               |
| RU (models)                                   | 43C1454     | 1               |
| TR (models)                                   | 43C1455     | 1               |
| HU (models)                                   | 43C1456     | 1               |
| GK (models)                                   | 43C1457     | 1               |
| PO (models)                                   | 43C1458     | 1               |
| CS (models)                                   | 43C1459     | 1               |
| TW (models)                                   | 43C1460     | 1               |
| HK (models)                                   | 43C1461     | 1               |
| KR (models)                                   | 43C1462     | 1               |
| SL (models)                                   | 43C1463     | 1               |
| RE (models)                                   | 43C1464     | 1               |

| 8791 Vista Business 32 Recovery DVDs | FRU#    | CRU Tier |
|--------------------------------------|---------|----------|
| US/UK/AP/TH (models B2G A2Q )        | 43C1390 | 1        |
| FR/CF (models B2G)                   | 43C1391 | 1        |
| GR (models B2G)                      | 43C1392 | 1        |
| SP/LA (models B2G)                   | 43C1393 | 1        |
| IT (models B2G)                      | 43C1395 | 1        |
| JP (models A2J)                      | 43C1396 | 1        |
| NO (models B2G)                      | 43C1397 | 1        |
| SV (models B2G)                      | 43C1398 | 1        |
| DK (models B2G)                      | 43C1399 | 1        |
| NL (models B2G)                      | 43C1400 | 1        |
| CZ (models B2G)                      | 43C1401 | 1        |
| FI (models B2G)                      | 43C1402 | 1        |
| PL (models B2G)                      | 43C1403 | 1        |
| RU (models B2G)                      | 43C1404 | 1        |
| TR (models B2G)                      | 43C1405 | 1        |
| HU (models B2G)                      | 43C1406 | 1        |
| GK (models B2G)                      | 43C1407 | 1        |
| PO (models B2G)                      | 43C1408 | 1        |
| SL (models B2G)                      | 43C1413 | 1        |
| RE (models B2G)                      | 43C1414 | 1        |

# Machine Type 8792



| Item # | 8792 FRUs  | FRU#    | CRU Tier | RoHS? |
|--------|--|---------|----------|-------|
| 1      | Cover (models CTO 91G)   | 41R6220 | 1        | Y     |
| 2      | Power Supply, 275W active PFC-WW, China, JAPAN (models CTO)                      | 41A9640 | 2        | Y     |
| 2      | Power Supply (225 Watt) (models CTO 91G 93G)                                     | 41A9629 | 2        | Y     |
| 2      | Power Supply - China (225 Watt) (models CTO-A 92C D1V)                           | 41A9635 | 2        | Y     |
| 2      | Power Supply - Japan (225 Watt) (models CTO-A)                                   | 41A9632 | 2        | Y     |
| 3      | DVD-ROM 16X/48X - Black (models CTO D1V)   | 41N3325 | 1        | Y     |
| 3      | CD-RW/DVD-ROM Combo Drive 48X/32X/48X/16X Max----nonvista/vista (models CTO 93G) | 42Y9353 | 1        | Y     |
| 3      | DVD-ROM/CD-RW Combo Drive - 48x/32x/48x/16x - SATA (models CTO)                  | 42Y6325 | 1        | Y     |
| 3      | DVD-RW/CD-RW Rambo 7 - SATA (models CTO)   | 42Y6374 | 1        | Y     |
| 3      | DVD-RW/CD-RW Rambo 7 - SATA (models CTO)   | 42Y6373 | 1        | Y     |
| 3      | DVD Recorder Rambo 8 - SATA (models CTO)   | 43C1042 | 1        | Y     |
| 4      | Hard Disk Drive 80GB 7200 rpm Serial ATA (models CTO D1V)                        | 40Y9034 | 1        | Y     |

| Item # | 8792 FRUs   | FRU#    | CRU Tier | RoHS? |
|--------|---|---------|----------|-------|
| 4      | Hard Disk Drive 80GB 7200 rpm Serial ATA (models CTO D1V)                               | 40Y8761 | 1        | Y     |
| 4      | Hard Disk Drive 160GB 7200 rpm Serial ATA (models CTO 93G)                              | 40Y9035 | 1        | Y     |
| 4      | Hard Disk Drive 160GB 7200 rpm Serial ATA (models CTO 93G)                              | 40Y8762 | 1        | Y     |
| 4      | Hard Disk Drive 250GB 7200 rpm Serial ATA (models CTO 91G 92C)                          | 40Y9036 | 1        | Y     |
| 4      | Hard Disk Drive 250GB 7200 rpm Serial ATA (models CTO 91G 92C)                          | 40Y8763 | 1        | Y     |
| 4      | Hard Disk Drive 500GB 7200 rpm Serial ATA (models CTO)                                  | 41X5582 | 1        | Y     |
| 5      | Rotating bay assembly (all models)  | 03R0285 | 2        | Y     |
| 6      | Bezel, Plastic Kit (models)   | 41A7718 | 2        | Y     |
| 7      | Slim Diskette Drive, 1.44 MB 3 mode (without FDD cable and bezel ) (models CTO 92C D1V) | 40Y9109 | 1        | Y     |
| 7      | Slim Diskette Drive, 1.44 MB 3 mode (without FDD cable and bezel ) (models CTO 92C D1V) | 40Y9111 | 1        | Y     |
| 8      | Heat Sink, (all models)   | 41A7705 | 2        | Y     |
| 9      | Microprocessor, Pentium 4 3.06 GHz 533 FSB 1MB L2 (models CTO)                          | 41T4104 | N        | Y     |
| 9      | Microprocessor, Pentium 4 3.0 GHz 800 FSB 1MB L2 (models CTO)                           | 41T1701 | N        | Y     |
| 9      | Microprocessor, Pentium 4 3.2 GHz 800 FSB 1MB L2 (models CTO)                           | 41T1702 | N        | Y     |
| 9      | Microprocessor, Pentium 4 3.0 GHz 800 FSB 2MB L2 (models CTO)                           | 41T1712 | N        | Y     |
| 9      | Microprocessor, Pentium 4 3.2 GHz 800 FSB 2MB L2 (models CTO)                           | 41T1713 | N        | Y     |
| 9      | Microprocessor, Pentium 4 3.4 GHz 800 FSB 2MB L2 (models CTO)                           | 41T1714 | N        | Y     |
| 9      | Microprocessor, Pentium 4 3.6 GHz 800 FSB 2MB L2 (models CTO)                           | 41T1715 | N        | Y     |
| 9      | Microprocessor, Pentium D 2.8 GHz 800 FSB 1MB L2 (models CTO)                           | 41T1704 | N        | Y     |
| 9      | Microprocessor, Pentium D 2.8 GHz 800 FSB 2MB L2 (models CTO)                           | 41X7775 | N        | Y     |
| 9      | Microprocessor, Pentium D 3.0 GHz 800 FSB 2Mx2 L2 (models CTO 93G)                      | 41X2413 | N        | Y     |
| 9      | Microprocessor, Pentium D 3.0 GHz 800 FSB 2Mx2 L2 (models CTO)                          | 41T1717 | N        | Y     |
| 9      | Microprocessor, Pentium D 3.2 GHz 800 FSB 2Mx2 L2 (models CTO)                          | 41X8050 | N        | Y     |
| 9      | Microprocessor, Pentium D 3.4 GHz 800 FSB 2Mx2 L2 (models CTO)                          | 41X7776 | N        | Y     |
| 9      | Microprocessor, Pentium E2140 800/1600MHZ-1M, LGA, EM64T (models CTO)                   | 43C1967 | N        | Y     |
| 9      | Microprocessor, Pentium E2160 800/1800MHZ-1M, LGA, EM64T (models CTO)                   | 43C1968 | N        | Y     |
| 9      | Microprocessor, Conroe E6300 Processor 1.86GHz 1066MHz FSB 2M L2 (models CTO)           | 41X2495 | N        | Y     |
| 9      | Microprocessor, Pentium CONROE-L E2180 2.0GHz 800MHz FSB, 1M, EM64T (models)            | 45C1773 | N        | Y     |
| 9      | Microprocessor, Pentium CONROE-L E2220 2.4GHz 800MHz FSB, 1M, EM64T (models)            | 45C1774 | N        | Y     |
| 9      | Microprocessor, Core 2 Duo E4500 Processor 2.2GHz 800MHz FSB 2M (models)                | 43C6305 | N        | Y     |
| 9      | Microprocessor, Core 2 Duo E6320 1.86GHz 1066MHz FSB 4M B2 (models CTO)                 | 43C3829 | N        | Y     |
| 9      | Microprocessor, Conroe E6400 Processor 2.13GHz 1066MHz FSB 2M L2 (models CTO)           | 41X2496 | N        | Y     |

| Item # | 8792 FRUs   | FRU#    | CRU Tier | RoHS? |
|--------|---|---------|----------|-------|
| 9      | Microprocessor, Core 2 Duo E6420 Processor 2.13GHz 1066MHz FSB 4M B2 (models CTO) | 43C3831 | N        | Y     |
| 9      | Microprocessor, Conroe E6600 Processor 2.40GHz 1066MHz FSB 4M L2 (models CTO)     | 41X5743 | N        | Y     |
| 9      | Microprocessor, Conroe E6700 Processor 2.67GHz 1066MHz FSB 4M L2 (models CTO)     | 41X5744 | N        | Y     |
| 9      | Microprocessor, Celeron D 2.66GHz 533MHz FSB 256KB L2 (models CTO)                | 41T1694 | N        | Y     |
| 9      | Microprocessor, Celeron D 2.80GHz 533MHz FSB 256KB L2 (models CTO)                | 41T1695 | N        | Y     |
| 9      | Microprocessor, Celeron D 3.06GHz 533MHz FSB 256KB L2 (models CTO)                | 41T1697 | N        | Y     |
| 9      | Microprocessor, Celeron D 3.06GHz 533MHz FSB 512KB L2 (models CTO)                | 42Y8530 | N        | Y     |
| 9      | Microprocessor, Celeron D 3.20GHz 533MHz FSB 256KB L2 (models CTO)                | 41T1698 | N        | Y     |
| 9      | Microprocessor, Celeron D 3.20GHz 533MHz FSB 512KB L2 (models CTO)                | 41T4966 | N        | Y     |
| 9      | Microprocessor, Celeron D 3.33GHz 533MHz FSB 512KB L2 (models CTO)                | 41T4968 | N        | Y     |
| 9      | Microprocessor, Celeron 420 800/1600MHZ-512K,LGA,EM64T A1 (models CTO D1V)        | 43C3835 | N        | Y     |
| 9      | Microprocessor, Celeron 430 800/1800MHZ-512K,LGA,EM64T A1 (models CTO)            | 43C1964 | N        | Y     |
| 9      | Microprocessor, Celeron 440 800/1800MHZ-512K,LGA,EM64T A1 (models CTO)            | 43C1965 | N        | Y     |
| 9      | Microprocessor, Core 2 Duo E4300 1.8GHz 800MHz FSB 2M L2 (models CTO)             | 42Y8009 | N        | Y     |
| 9      | Microprocessor, Core 2 Duo E4400 2.0GHz 800MHz FSB 2M L2 (models CTO)             | 43C2056 | N        | Y     |
| 10     | System Board (models CTO 93G D1V)   | 43C7177 | 2        | Y     |
| 10     | System Board (models CTO 91G 92C)   | 43C7176 | 2        | Y     |
| 10     | System Board, IV - Bristol GF V3.1(ASUS)(SIT-RR) (models)                         | 41T1435 | 2        | Y     |
| 10     | System Board, IV - Bristol IAMT V3.3(ASUS)(SIT-RR) (models)                       | 41T1431 | 2        | Y     |
| 10     | System Board, IV - Bristol IAMT V3.3(GIGA)(GA)(No 820CPU issue) (models)          | 45C2305 | 2        | Y     |
| 11     | Memory - 512MB DDR2 SDRAM NP Memory (PC 4200) (models CTO)                        | 30R5121 | 1        | Y     |
| 11     | Memory - 512MB DDR2 SDRAM NP Memory (PC 4200) (models CTO)                        | 41X4251 | 1        | Y     |
| 11     | Memory - 1GB DDR2 SDRAM NP Memory (PC 4200) (models CTO)                          | 30R5122 | 1        | Y     |
| 11     | Memory - 2GB DDR2 SDRAM NP Memory (PC 4200) (models CTO)                          | 30R5123 | 1        | Y     |
| 11     | Memory - 512MB DDR2 SDRAM NP (PC 5300) (models CTO D1V)                           | 30R5125 | 1        | Y     |
| 11     | Memory - 1GB DDR2 SDRAM NP (PC 5300) (models CTO 91G 92C 93G)                     | 30R5126 | 1        | Y     |
| 11     | Memory - 1GB DDR2 SDRAM NP (PC 5300) (models CTO 91G 92C 93G)                     | 41X4252 | 1        | Y     |
| 11     | Memory - 2GB DDR2 SDRAM NP (PC 5300) (models CTO)                                 | 30R5127 | 1        | Y     |
| 11     | Memory - 512MB DDR2 SDRAM NP (PC 6400) (models CTO)                               | 41X1079 | 1        | Y     |
| 11     | Memory - 1GB DDR2 SDRAM NP (PC 6400) (models CTO)                                 | 41X1080 | 1        | Y     |
| 11     | Memory - 2GB DDR2 SDRAM NP (PC 6400) (models CTO)                                 | 41X1081 | 1        | Y     |
| 12     | Riser card assembly (all models)  | 41A7730 | 1        | Y     |
| 13     | Speaker/cable assembly (all models)   | 39K5012 | 1        | Y     |
| 14     | Chassis (all models)  | 41A7717 | 2        | Y     |

The FRUs listed in the following table are not illustrated.

| <b>8792 FRUs</b>  | <b>FRU#</b> | <b>CRU Tier</b> | <b>RoHS?</b> |
|---|-------------|-----------------|--------------|
| Hard disk drive tray (all models)                                     | 03R0302     | 2               | Y            |
| Floor stand and vertical deflector (all models)                       | 74P0404     | 2               | Y            |
| Cable, SATA 18" (all models)  | 26K1186     | 1               | Y            |
| Cable, second serial port, 250mm HP (all models)                      | 42Y8007     | 1               | Y            |
| Cable, SATA Device (all models)                                       | 39K5026     | 1               | Y            |
| C2 Cable (Squall) (models)  | 39K5022     | 1               | Y            |
| Cable, PWR/LED (all models)   | 26K1242     | 1               | Y            |
| Cable, Diskette Drive (all models)                                    | 26K1248     | 1               | Y            |
| Fan assembly (all models)   | 26K1253     | 2               | Y            |
| Universal Adapter Bracket 5.25 to 3.5-inch (all models)               | 32P4743     | 1               | Y            |
| Retention module, tool less heat sink (all models)                    | 26K1281     | 2               | Y            |
| Shield, system board (all models)                                     | 41A7719     | 2               | Y            |
| Latch bar on cover (all models)                                       | 41R6188     | 2               | Y            |
| Internal Plastic Kit (does not include tl hardfile tray) (all models) | 26K1234     | 2               | Y            |

| <b>8792 Keyboards (USB Preferred - without hub)</b> | <b>FRU#</b> | <b>CRU Tier</b> | <b>RoHS?</b> |
|---|-------------|-----------------|--------------|
| US English (models 92C 93G)                         | 41A5289     | 1               | Y            |
| Arabic (models 93G)                                 | 41A5290     | 1               | Y            |
| Arabic/French (models 93G)                          | 41A5291     | 1               | Y            |
| Belgian/French (models 93G)                         | 41A5292     | 1               | Y            |
| Belgian/UK (models 93G)                             | 41A5293     | 1               | Y            |
| Bulgarian (models 93G)                              | 41A5295     | 1               | Y            |
| Chinese/US (models D1V)                             | 41A5296     | 1               | Y            |
| Czech (models 93G)                                  | 41A5297     | 1               | Y            |
| Danish (models 93G)                                 | 41A5298     | 1               | Y            |
| Dutch (models 93G)                                  | 41A5299     | 1               | Y            |
| French (models 93G)                                 | 41A5300     | 1               | Y            |
| German (models 93G)                                 | 41A5303     | 1               | Y            |
| Greek (models 93G)                                  | 41A5304     | 1               | Y            |
| Greek/US (models 93G)                               | 41A5305     | 1               | Y            |
| Hebrew (models 93G)                                 | 41A5306     | 1               | Y            |
| Hungarian (models 93G)                              | 41A5307     | 1               | Y            |
| Iceland (models 93G)                                | 41A5308     | 1               | Y            |
| Italian 141 (models 93G)                            | 41A5309     | 1               | Y            |
| Norwegian (models 93G)                              | 41A5313     | 1               | Y            |
| Polish (models 93G)                                 | 41A5314     | 1               | Y            |
| Portuguese (models 93G)                             | 41A5315     | 1               | Y            |



| <b>8792 Keyboards (USB Preferred - without hub)</b> | <b>FRU#</b> | <b>CRU Tier</b> | <b>RoHS?</b> |
|---|-------------|-----------------|--------------|
| Romanian 096 (models 93G)                           | 41A5317     | 1               | Y            |
| Romanian 446 (models 93G)                           | 41A5316     | 1               | Y            |
| Russian/Cyrillic (models 93G)                       | 41A5318     | 1               | Y            |
| Serbian/Cyrillic (models 93G)                       | 41A5319     | 1               | Y            |
| Slovak (models 93G)                                 | 41A5320     | 1               | Y            |
| Spanish (models 93G)                                | 41A5321     | 1               | Y            |
| Swedish/Finn (models 93G)                           | 41A5322     | 1               | Y            |
| Swiss (models 93G)                                  | 41A5323     | 1               | Y            |
| Turkish 440 (models 93G)                            | 41A5325     | 1               | Y            |
| Turkish 179 (models 93G)                            | 41A5326     | 1               | Y            |
| UK English (models 93G)                             | 41A5327     | 1               | Y            |
| US Euro (models 93G)                                | 41A5328     | 1               | Y            |
| Slovenian (models 93G)                              | 41A5329     | 1               | Y            |

| <b>8792 Keyboards (Fingerprint Reader USB)</b> | <b>FRU#</b> | <b>CRU Tier</b> | <b>RoHS?</b> |
|--|-------------|-----------------|--------------|
| US English (models 91G)                        | 41A5248     | 1               | Y            |
| Arabic (models 91G)                            | 41A5249     | 1               | Y            |
| Arabic/French (models 91G)                     | 41A5250     | 1               | Y            |
| Belgian/French (models 91G)                    | 41A5251     | 1               | Y            |
| Belgian/UK (models 91G)                        | 41A5252     | 1               | Y            |
| Bulgarian (models 91G)                         | 41A5254     | 1               | Y            |
| Czech (models 91G)                             | 41A5256     | 1               | Y            |
| Danish (models 91G)                            | 41A5257     | 1               | Y            |
| Dutch (models 91G)                             | 41A5258     | 1               | Y            |
| French (models 91G)                            | 41A5259     | 1               | Y            |
| German (models 91G)                            | 41A5262     | 1               | Y            |
| Greek (models 91G)                             | 41A5263     | 1               | Y            |
| Greek/US (models 91G)                          | 41A5264     | 1               | Y            |
| Hebrew (models 91G)                            | 41A5265     | 1               | Y            |
| Hungarian (models 91G)                         | 41A5266     | 1               | Y            |
| Iceland (models 91G)                           | 41A5267     | 1               | Y            |
| Italian 141 (models 91G)                       | 41A5268     | 1               | Y            |
| Norwegian (models 91G)                         | 41A5272     | 1               | Y            |
| Polish (models 91G)                            | 41A5273     | 1               | Y            |
| Portuguese (models 91G)                        | 41A5274     | 1               | Y            |
| Romanian 096 (models 91G)                      | 41A5275     | 1               | Y            |
| Romanian 446 (models 91G)                      | 41A5276     | 1               | Y            |
| Russian/Cyrillic (models 91G)                  | 41A5277     | 1               | Y            |
| Serbian/Cyrillic (models 91G)                  | 41A5278     | 1               | Y            |

| <b>8792 Keyboards (Fingerprint Reader USB)</b> | <b>FRU#</b> | <b>CRU Tier</b> | <b>RoHS?</b> |
|--|-------------|-----------------|--------------|
| Slovak (models 91G)                            | 41A5279     | 1               | Y            |
| Spanish (models 91G)                           | 41A5280     | 1               | Y            |
| Swedish/Finn (models 91G)                      | 41A5281     | 1               | Y            |
| Swiss (models 91G)                             | 41A5282     | 1               | Y            |
| Turkish 440 (models 91G)                       | 41A5284     | 1               | Y            |
| Turkish 179 (models 91G)                       | 41A5285     | 1               | Y            |
| UK English (models 91G)                        | 41A5286     | 1               | Y            |
| US Euro (models 91G)                           | 41A5287     | 1               | Y            |
| Slovenian (models 91G)                         | 41A5288     | 1               | Y            |

| <b>8792 Mice</b>                                      | <b>FRU#</b> | <b>CRU Tier</b> | <b>RoHS?</b> |
|---|-------------|-----------------|--------------|
| Mouse, Optical Wheel (400DPI, USB) (all models)       | 41U3013     | 1               | Y            |
| Mouse, ScrollPoint Optical (800DPI, USB) (models CTO) | 41U3019     | 1               | Y            |
| Mouse, Optical Wheel (400DPI, USB) (all models)       | 41U3030     | 1               | Y            |

| <b>8792 Wireless I/O</b>       | <b>FRU#</b> | <b>CRU Tier</b> | <b>RoHS?</b> |
|--------------------------------|-------------|-----------------|--------------|
| Wireless Keyboard (models CTO) | 41A5219     | 1               | Y            |
| Wireless Mouse (models CTO)    | 41A5247     | 1               | Y            |
| Transceiver (USB) (models CTO) | 41A5246     | 1               | Y            |

| <b>8792 Adapters and miscellaneous FRUs</b>                          | <b>FRU#</b> | <b>CRU Tier</b> | <b>RoHS?</b> |
|--|-------------|-----------------|--------------|
| PCI-E DVI-DConnection Adapter (Full Height) (models CTO 92C 91G 93G) | 39J9334     | 1               | Y            |
| IEEE 1394 Firewire Adapter - full height (models CTO)                | 41D2781     | 1               | Y            |
| Speakers, Lenovo Branded (models CTO)                                | 41A5334     | 1               | Y            |
| Thermal grease syringe (all models)                                  | 91P8835     | 1               | Y            |

| <b>8792 Power Cords</b>  | <b>FRU#</b> | <b>CRU Tier</b> | <b>RoHS?</b> |
|--|-------------|-----------------|--------------|
| Power cord - US (models CTO-U)   | 39M5080     | 1               | Y            |
| Power cord - China (models CTO-A 92C)  | 39M5205     | 1               | Y            |
| Power cord - Japan (models CTO-A)  | 39M5193     | 1               | Y            |
| Power cord - Brazil (models CTO-L)   | 39M5232     | 1               | Y            |
| Power cord - LA High Volt (APU) (models CTO-L)                                     | 39M5067     | 1               | Y            |
| Power cord - Australia/New Zealand (models CTO-A)                                  | 39M5102     | 1               | Y            |
| Power cord - Korea (models CTO-A)  | 39M5212     | 1               | Y            |
| Power cord - Hong Kong (models CTO-A)  | 39M5151     | 1               | Y            |
| Power cord - UK, Ireland, Singapore, Malaysia, Brunei (models CTO-G CTO-A 91G 93G) | 39M5150     | 1               | Y            |

| <b>8792 Power Cords</b>                            | <b>FRU#</b> | <b>CRU Tier</b> | <b>RoHS?</b> |
|--|-------------|-----------------|--------------|
| Power cord - Taiwan (models CTO-A D1V)             | 39M5246     | 1               | Y            |
| Power cord - Italy/Chile (models CTO-G 91G 93G)    | 39M5164     | 1               | Y            |
| Power cord - G models (models CTO-G CTO-A 91G 93G) | 39M5122     | 1               | Y            |
| Power cord - Denmark (models CTO-G 91G 93G)        | 39M5129     | 1               | Y            |
| Power cord - Switzerland (models CTO-G 91G 93G)    | 39M5157     | 1               | Y            |
| Power cord - Israel (models CTO-G 91G 93G)         | 39M5171     | 1               | Y            |
| Power cord - South Africa (models CTO-G 91G 93G)   | 39M5143     | 1               | Y            |
| Power cord - India (models CTO-A)                  | 39M5004     | 1               | Y            |

| <b>8792 Windows XP Home Recovery CDs</b> | <b>FRU#</b> | <b>CRU Tier</b> | <b>RoHS?</b> |
|--|-------------|-----------------|--------------|
| RE (models CTO)                          | 42Y5548     | 1               | Y            |
| FI (models CTO)                          | 42Y5549     | 1               | Y            |
| NO (models CTO)                          | 42Y5550     | 1               | Y            |
| NL (models CTO)                          | 42Y5551     | 1               | Y            |
| HE (models CTO)                          | 42Y5552     | 1               | Y            |
| PL (models CTO)                          | 42Y5553     | 1               | Y            |
| CZ (models CTO)                          | 42Y5554     | 1               | Y            |
| AE (models CTO)                          | 42Y5555     | 1               | Y            |
| RU (models CTO)                          | 42Y5556     | 1               | Y            |
| TR (models CTO)                          | 42Y5557     | 1               | Y            |
| HU (models CTO)                          | 42Y5558     | 1               | Y            |
| PO (models CTO)                          | 42Y5559     | 1               | Y            |
| GK (models CTO)                          | 42Y5560     | 1               | Y            |

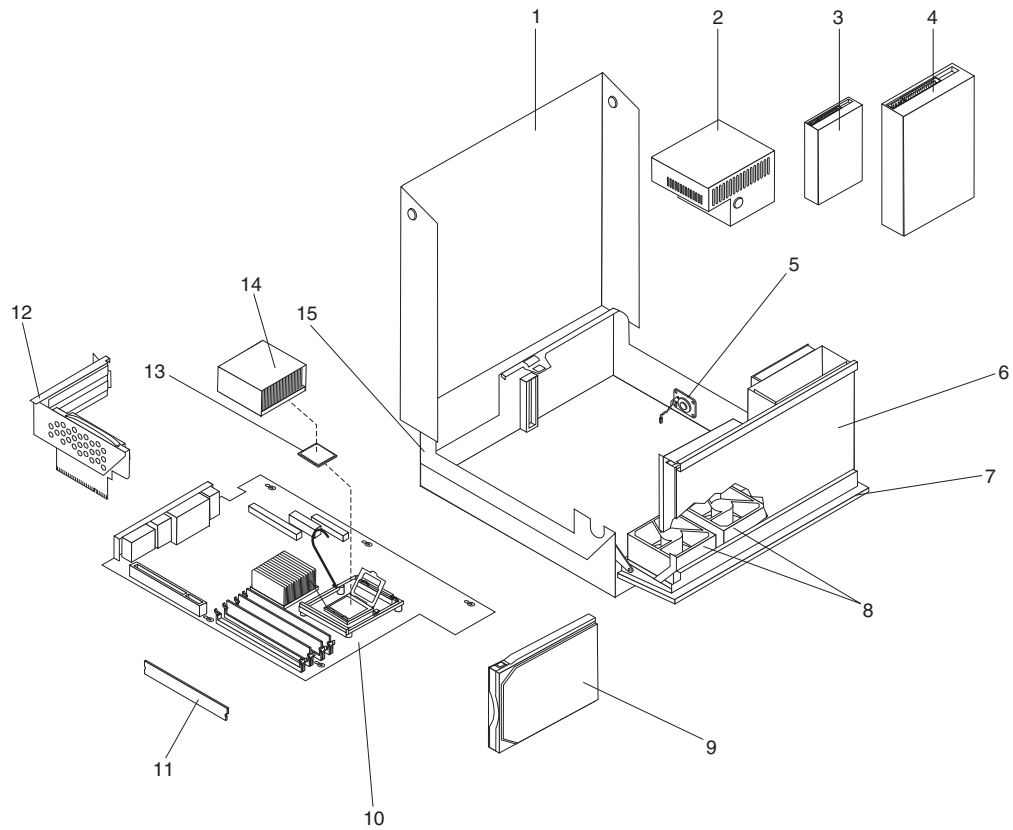
| <b>8792 Windows XP Pro Recovery CDs</b> | <b>FRU#</b> | <b>CRU Tier</b> | <b>RoHS?</b> |
|---|-------------|-----------------|--------------|
| US/UK/AP/TH (models 91G 93G)            | 42Y3236     | 1               | Y            |
| RE (models 91G 93G)                     | 42Y5464     | 1               | Y            |
| FR/CF (models 91G 93G)                  | 42Y4449     | 1               | Y            |
| GR (models 91G 93G)                     | 42Y4450     | 1               | Y            |
| SP/LA (models 91G 93G)                  | 42Y4451     | 1               | Y            |
| IT (models 91G 93G)                     | 42Y4452     | 1               | Y            |
| SV (models 91G 93G)                     | 42Y4454     | 1               | Y            |
| DK (models 91G 93G)                     | 42Y4455     | 1               | Y            |
| FI (models 91G 93G)                     | 42Y5465     | 1               | Y            |
| NO (models 91G 93G)                     | 42Y5466     | 1               | Y            |
| NL (models 91G 93G)                     | 42Y5467     | 1               | Y            |
| Simplified Chinese (models 92C)         | 42T8627     | 1               | Y            |
| Taiwan-TC (models D1V)                  | 42T8633     | 1               | Y            |
| HE (models 91G 93G)                     | 42Y5468     | 1               | Y            |

| 8792 Windows XP Pro Recovery CDs                      | FRU#    | CRU Tier | RoHS? |
|---|---------|----------|-------|
| PL (models 91G 93G)                                   | 42Y5469 | 1        | Y     |
| CZ (models 91G 93G)                                   | 42Y5470 | 1        | Y     |
| AE (models 91G 93G)                                   | 42Y5471 | 1        | Y     |
| RU (models 91G 93G)                                   | 42Y5472 | 1        | Y     |
| TR (models 91G 93G)                                   | 42Y5473 | 1        | Y     |
| HU (models 91G 93G)                                   | 42Y5474 | 1        | Y     |
| PO (models 91G 93G)                                   | 42Y5475 | 1        | Y     |
| GK (models 91G 93G)                                   | 42Y5476 | 1        | Y     |
| SL (models 91G 93G)                                   | 42Y5477 | 1        | Y     |
| Multilingual 1 -- EN, NL, FR, GR, IT (models 91G 93G) | 42Y4533 | 1        | Y     |
| Multilingual 2 -- EN, DK, FI, NO, SV (models 91G 93G) | 42Y5626 | 1        | Y     |

| 8792 Vista Home Basic 32 Recovery DVDs | FRU#    | CRU Tier |
|--|---------|----------|
| US/UK/AP/TH (models)                   | 43C1440 | 1        |
| FR/CF (models)                         | 43C1441 | 1        |
| GR (models)                            | 43C1442 | 1        |
| SP/LA (models)                         | 43C1443 | 1        |
| BR (models)                            | 43C1444 | 1        |
| IT (models)                            | 43C1445 | 1        |
| JP (models)                            | 43C1446 | 1        |
| NO (models)                            | 43C1447 | 1        |
| SV (models)                            | 43C1448 | 1        |
| DK (models)                            | 43C1449 | 1        |
| NL (models)                            | 43C1450 | 1        |
| CZ (models)                            | 43C1451 | 1        |
| FI (models)                            | 43C1452 | 1        |
| PL (models)                            | 43C1453 | 1        |
| RU (models)                            | 43C1454 | 1        |
| TR (models)                            | 43C1455 | 1        |
| HU (models)                            | 43C1456 | 1        |
| GK (models)                            | 43C1457 | 1        |
| PO (models)                            | 43C1458 | 1        |
| CS (models)                            | 43C1459 | 1        |
| TW (models)                            | 43C1460 | 1        |
| HK (models)                            | 43C1461 | 1        |
| KR (models)                            | 43C1462 | 1        |
| SL (models)                            | 43C1463 | 1        |
| RE (models)                            | 43C1464 | 1        |

| 8792 Vista Business 32 Recovery DVDs | FRU#    | CRU Tier |
|--------------------------------------|---------|----------|
| US/UK/AP/TH (models)                 | 43C1390 | 1        |
| FR/CF (models)                       | 43C1391 | 1        |
| GR (models)                          | 43C1392 | 1        |
| SP/LA (models)                       | 43C1393 | 1        |
| BR (models)                          | 43C1394 | 1        |
| IT (models)                          | 43C1395 | 1        |
| JP (models)                          | 43C1396 | 1        |
| NO (models)                          | 43C1397 | 1        |
| SV (models)                          | 43C1398 | 1        |
| DK (models)                          | 43C1399 | 1        |
| NL (models)                          | 43C1400 | 1        |
| CZ (models)                          | 43C1401 | 1        |
| FI (models)                          | 43C1402 | 1        |
| PL (models)                          | 43C1403 | 1        |
| RU (models)                          | 43C1404 | 1        |
| TR (models)                          | 43C1405 | 1        |
| HU (models)                          | 43C1406 | 1        |
| GK (models)                          | 43C1407 | 1        |
| PO (models)                          | 43C1408 | 1        |
| CS (models)                          | 43C1409 | 1        |
| TW (models D1V)                      | 43C1410 | 1        |
| HK (models)                          | 43C1411 | 1        |
| KR (models)                          | 43C1412 | 1        |
| SL (models)                          | 43C1413 | 1        |
| RE (models)                          | 43C1414 | 1        |

# Machine Type 8793



| Item # | 8793 FRUs  | FRU#    | CRU Tier | RoHS? |
|--------|--|---------|----------|-------|
| 1      | Top cover (all models)   | 41R4835 | 2        | Y     |
| 2      | Power Supply (225 Watt) (models CTO 91G)                                     | 41N3432 | 2        | Y     |
| 2      | Power Supply - China (225 Watt) (models CTO-A)                               | 41N3436 | 2        | Y     |
| 2      | Power Supply - Japan (225 Watt) (models CTO-A)                               | 41N3441 | 2        | Y     |
| 2      | Power Supply, 275 active PFC-WW, China, JAPAN (models CTO)                   | 41A9640 | 2        | Y     |
| 3      | Diskette drive, 3.5" 1.44MB 2-mode (models CTO)                              | 40Y9107 | 1        | Y     |
| 3      | Diskette drive, 3.5" 1.44MB 2-mode (models CTO)                              | 40Y9105 | 1        | Y     |
| 4      | DVD-ROM 16X/48X - Black (models CTO)   | 41N3325 | 1        | Y     |
| 4      | CD-RW/DVD-ROM Combo Drive 48X/32X/48X/16X Max----nonvista/vista (models CTO) | 42Y9368 | 1        | Y     |
| 4      | CD-RW/DVD-ROM Combo Drive 48X/32X/48X/16X Max----nonvista/vista (models CTO) | 42Y9353 | 1        | Y     |
| 4      | DVD-RW/CD-RW - Rambo 7 - SATA (models CTO 91G)                               | 41N3347 | 1        | Y     |
| 4      | DVD-RW/CD-RW Rambo 7 - SATA (models CTO 91G)                                 | 42Y6374 | 1        | Y     |
| 4      | DVD-RW/CD-RW Rambo 7 - SATA (models CTO 91G)                                 | 42Y6373 | 1        | Y     |
| 4      | DVD Recorder Rambo 8 - SATA (models CTO)                                     | 43C1042 | 1        | Y     |
| 5      | Speaker/cable assembly (all models)  | 39K5012 | 1        | Y     |
| 6      | Rotating cage assembly (all models)  | 41N5324 | 2        | Y     |
| 7      | Bezel Kit (all models)   | 41N5322 | 1        | Y     |

| Item # | 8793 FRUs  | FRU#    | CRU Tier | RoHS? |
|--------|--|---------|----------|-------|
| 8      | Front fan and bracket assembly (all models)                                  | 39M0585 | 2        | Y     |
| 9      | Hard Disk Drive 80GB 7200 rpm Serial ATA (models CTO)                        | 40Y9034 | 1        | Y     |
| 9      | Hard Disk Drive 80GB 7200 rpm Serial ATA (models CTO)                        | 40Y8761 | 1        | Y     |
| 9      | Hard Disk Drive 160GB 7200 rpm Serial ATA (models CTO)                       | 40Y9035 | 1        | Y     |
| 9      | Hard Disk Drive 160GB 7200 rpm Serial ATA (models CTO)                       | 40Y8762 | 1        | Y     |
| 9      | Hard Disk Drive 250GB 7200 rpm Serial ATA (models CTO 91G)                   | 40Y9036 | 1        | Y     |
| 9      | Hard Disk Drive 250GB 7200 rpm Serial ATA (models CTO 91G)                   | 40Y8763 | 1        | Y     |
| 9      | Hard Disk Drive 500GB 7200 rpm Serial ATA (models CTO)                       | 41X5582 | 1        | Y     |
| 10     | System Board (models CTO 91G)  | 43C7180 | 2        | Y     |
| 10     | System Board (models CTO 91G)  | 45C0083 | 2        | Y     |
| 11     | Memory - 512MB DDR2 SDRAM NP Memory (PC 4200) (models CTO)                   | 30R5121 | 1        | Y     |
| 11     | Memory - 512MB DDR2 SDRAM NP Memory (PC 4200) (models CTO)                   | 41X4251 | 1        | Y     |
| 11     | Memory - 1GB DDR2 SDRAM NP Memory (PC 4200) (models CTO)                     | 30R5122 | 1        | Y     |
| 11     | Memory - 2GB DDR2 SDRAM NP Memory (PC 4200) (models CTO)                     | 30R5123 | 1        | Y     |
| 11     | Memory - 512MB DDR2 SDRAM NP (PC 5300) (models CTO)                          | 30R5125 | 1        | Y     |
| 11     | Memory - 1GB DDR2 SDRAM NP (PC 5300) (models CTO 91G)                        | 30R5126 | 1        | Y     |
| 11     | Memory - 1GB DDR2 SDRAM NP (PC 5300) (models CTO 91G)                        | 41X4252 | 1        | Y     |
| 11     | Memory - 2GB DDR2 SDRAM NP (PC 5300) (models CTO)                            | 30R5127 | 1        | Y     |
| 11     | Memory - 512MB DDR2 SDRAM NP (PC 6400) (models CTO)                          | 41X1079 | 1        | Y     |
| 11     | Memory - 1GB DDR2 SDRAM NP (PC 6400) (models CTO)                            | 41X1080 | 1        | Y     |
| 11     | Memory - 2GB DDR2 SDRAM NP (PC 6400) (models CTO)                            | 41X1081 | 1        | Y     |
| 12     | Riser card and bracket assembly (all models)                                 | 39M0587 | 1        | Y     |
| 13     | Microprocessor, Pentium 4 3.06 GHz 533 FSB 1MB L2 (models CTO)               | 41T4104 | N        | Y     |
| 13     | Microprocessor, Pentium 4 3.0 GHz 800 FSB 1MB L2 (models CTO)                | 41T1701 | N        | Y     |
| 13     | Microprocessor, Pentium 4 3.2 GHz 800 FSB 1MB L2 (models CTO)                | 41T1702 | N        | Y     |
| 13     | Microprocessor, Pentium 4 3.0 GHz 800 FSB 2MB L2 (models CTO)                | 41T1712 | N        | Y     |
| 13     | Microprocessor, Pentium 4 3.2 GHz 800 FSB 2MB L2 (models CTO)                | 41T1713 | N        | Y     |
| 13     | Microprocessor, Pentium 4 3.4 GHz 800 FSB 2MB L2 (models CTO)                | 41T1714 | N        | Y     |
| 13     | Microprocessor, Pentium 4 3.6 GHz 800 FSB 2MB L2 (models CTO)                | 41T1715 | N        | Y     |
| 13     | Microprocessor, Pentium D 2.8 GHz 800 FSB 1MB L2 (models CTO)                | 41T1704 | N        | Y     |
| 13     | Microprocessor, Pentium D 2.8 GHz 800 FSB 2MB L2 (models CTO)                | 41X7775 | N        | Y     |
| 13     | Microprocessor, Pentium D 3.0 GHz 800 FSB 2Mx2 L2 (models CTO)               | 41X2413 | N        | Y     |
| 13     | Microprocessor, Pentium D 3.0 GHz 800 FSB 2Mx2 L2 (models CTO)               | 41T1717 | N        | Y     |
| 13     | Microprocessor, Pentium D 3.2 GHz 800 FSB 2Mx2 L2 (models CTO)               | 41X8050 | N        | Y     |
| 13     | Microprocessor, Pentium D 3.4 GHz 800 FSB 2Mx2 L2 (models CTO)               | 41X7776 | N        | Y     |
| 13     | Microprocessor, Pentium E2140 800/1600MHZ-1M, LGA, EM64T (models CTO)        | 43C1967 | N        | Y     |
| 13     | Microprocessor, Pentium E2160 800/1800MHZ-1M, LGA, EM64T (models CTO)        | 43C1968 | N        | Y     |
| 13     | Microprocessor, Pentium CONROE-L E2180 2.0GHz 800MHz FSB, 1M, EM64T (models) | 45C1773 | N        | Y     |

| Item # | 8793 FRUs   | FRU#    | CRU Tier | RoHS? |
|--------|---|---------|----------|-------|
| 13     | Microprocessor, Pentium CONROE-L E2220 2.4GHz 800MHz FSB, 1M, EM64T (models)      | 45C1774 | N        | Y     |
| 13     | Microprocessor, Core 2 Duo E4500 Processor 2.2GHz 800MHz FSB 2M (models)          | 43C6305 | N        | Y     |
| 13     | Microprocessor, Conroe E6300 Processor 1.86GHz 1066MHz FSB 2M L2 (models CTO 91G) | 41X2495 | N        | Y     |
| 13     | Microprocessor, Core 2 Duo E6320 1.86GHz 1066MHz FSB 4M B2 (models CTO)           | 43C3829 | N        | Y     |
| 13     | Microprocessor, Conroe E6400 Processor 2.13GHz 1066MHz FSB 2M L2 (models CTO)     | 41X2496 | N        | Y     |
| 13     | Microprocessor, Core 2 Duo E6420 Processor 2.13GHz 1066MHz FSB 4M B2 (models CTO) | 43C3831 | N        | Y     |
| 13     | Microprocessor, Conroe E6600 Processor 2.40GHz 1066MHz FSB 4M L2 (models CTO)     | 41X5743 | N        | Y     |
| 13     | Microprocessor, Conroe E6700 Processor 2.67GHz 1066MHz FSB 4M L2 (models CTO)     | 41X5744 | N        | Y     |
| 13     | Microprocessor, Celeron D 2.66GHz 533MHz FSB 256KB L2 (models CTO)                | 41T1694 | N        | Y     |
| 13     | Microprocessor, Celeron D 2.80GHz 533MHz FSB 256KB L2 (models CTO)                | 41T1695 | N        | Y     |
| 13     | Microprocessor, Celeron D 2.93GHz 533MHz FSB 256KB L2 (models CTO)                | 41T1696 | N        | Y     |
| 13     | Microprocessor, Celeron D 3.06GHz 533MHz FSB 256KB L2 (models CTO)                | 41T1697 | N        | Y     |
| 13     | Microprocessor, Celeron D 3.06GHz 533MHz FSB 512KB L2 (models CTO)                | 42Y8530 | N        | Y     |
| 13     | Microprocessor, Celeron D 3.20GHz 533MHz FSB 256KB L2 (models CTO)                | 41T1698 | N        | Y     |
| 13     | Microprocessor, Celeron D 3.20GHz 533MHz FSB 512KB L2 (models CTO)                | 41T4966 | N        | Y     |
| 13     | Microprocessor, Celeron D 3.33GHz 533MHz FSB 512KB L2 (models CTO)                | 41T4968 | N        | Y     |
| 13     | Microprocessor, Celeron 420 800/1600MHZ-512K,LGA,EM64T A1 (models CTO)            | 43C3835 | N        | Y     |
| 13     | Microprocessor, Celeron 430 800/1800MHZ-512K,LGA,EM64T A1 (models CTO)            | 43C1964 | N        | Y     |
| 13     | Microprocessor, Celeron 440 800/1800MHZ-512K,LGA,EM64T A1 (models CTO)            | 43C1965 | N        | Y     |
| 13     | Microprocessor, Core 2 Duo E4300 1.8GHz 800MHz FSB 2M L2 (models CTO)             | 42Y8009 | N        | Y     |
| 13     | Microprocessor, Core 2 Duo E4400 2.0GHz 800MHz FSB 2M L2 (models CTO)             | 43C2056 | N        | Y     |
| 14     | Heat Sink and Retention Module kit (all models)                                   | 41A7713 | 2        | Y     |
| 15     | Mechanical base (all models)  | 41R4841 | 2        | Y     |

The FRUs listed in the following table are not illustrated.

| 8793 FRUs                                     | FRU#    | CRU Tier | RoHS? |
|---|---------|----------|-------|
| Hard disk drive bracket assembly (all models) | 39M0578 | 1        | Y     |
| Power switch/LED cable assembly (all models)  | 39M0580 | 2        | Y     |
| SATA cable assembly (all models)              | 39K0526 | 1        | Y     |
| Optical cable, 1 drop (all models)            | 39M0584 | 1        | Y     |



| 8793 FRUs   | FRU#    | CRU Tier | RoHS? |
|---|---------|----------|-------|
| Intrusion switch cable (all models)                                     | 39K5022 | 1        | Y     |
| Vertical stand (all models)   | 39M0589 | 1        | Y     |
| Bezel assembly, optical rotating (all models)                           | 39M0592 | 2        | Y     |
| EMC Shield kit (diskette drive and optical bays) (all models)           | 41N5325 | 1        | Y     |
| EMC Shield, system board (all models)                                   | 41N5326 | 1        | Y     |
| Cable asm, diskette drive (all models)                                  | 41N8269 | 1        | Y     |
| Thermal sense cable (460 mm) (all models)                               | 41R2509 | 1        | Y     |
| AC-DC converter, ADP, internal enclosed assembly, 275WATTS (all models) | 41A9640 | 1        | Y     |
| Universal Adapter Bracket 5.25 to 3.5-inch (all models)                 | 32P4743 | 1        | Y     |

| 8793 Keyboards (Fingerprint Reader USB) | FRU#    | CRU Tier | RoHS? |
|---|---------|----------|-------|
| US English (models 91G)                 | 41A5248 | 1        | Y     |
| Arabic (models 91G)                     | 41A5249 | 1        | Y     |
| Arabic/French (models 91G)              | 41A5250 | 1        | Y     |
| Belgian/French (models 91G)             | 41A5251 | 1        | Y     |
| Belgian/UK (models 91G)                 | 41A5252 | 1        | Y     |
| Bulgarian (models 91G)                  | 41A5254 | 1        | Y     |
| Czech (models 91G)                      | 41A5256 | 1        | Y     |
| Danish (models 91G)                     | 41A5257 | 1        | Y     |
| Dutch (models 91G)                      | 41A5258 | 1        | Y     |
| French (models 91G)                     | 41A5259 | 1        | Y     |
| German (models 91G)                     | 41A5262 | 1        | Y     |
| Greek (models 91G)                      | 41A5263 | 1        | Y     |
| Greek/US (models 91G)                   | 41A5264 | 1        | Y     |
| Hebrew (models 91G)                     | 41A5265 | 1        | Y     |
| Hungarian (models 91G)                  | 41A5266 | 1        | Y     |
| Iceland (models 91G)                    | 41A5267 | 1        | Y     |
| Italian 141 (models 91G)                | 41A5268 | 1        | Y     |
| Norwegian (models 91G)                  | 41A5272 | 1        | Y     |
| Polish (models 91G)                     | 41A5273 | 1        | Y     |
| Portuguese (models 91G)                 | 41A5274 | 1        | Y     |
| Romanian 096 (models 91G)               | 41A5275 | 1        | Y     |
| Romanian 446 (models 91G)               | 41A5276 | 1        | Y     |
| Russian/Cyrillic (models 91G)           | 41A5277 | 1        | Y     |
| Serbian/Cyrillic (models 91G)           | 41A5278 | 1        | Y     |
| Slovak (models 91G)                     | 41A5279 | 1        | Y     |
| Spanish (models 91G)                    | 41A5280 | 1        | Y     |
| Swedish/Finn (models 91G)               | 41A5281 | 1        | Y     |
| Swiss (models 91G)                      | 41A5282 | 1        | Y     |

| <b>8793 Keyboards (Fingerprint Reader USB)</b> | <b>FRU#</b> | <b>CRU Tier</b> | <b>RoHS?</b> |
|--|-------------|-----------------|--------------|
| Turkish 440 (models 91G)                       | 41A5284     | 1               | Y            |
| Turkish 179 (models 91G)                       | 41A5285     | 1               | Y            |
| UK English (models 91G)                        | 41A5286     | 1               | Y            |
| US Euro (models 91G)                           | 41A5287     | 1               | Y            |
| Slovenian (models 91G)                         | 41A5288     | 1               | Y            |

| <b>8793 Keyboards (UltraNav Fullsize USB Keyboard - Japan only)</b> | <b>FRU#</b> | <b>CRU Tier</b> | <b>RoHS?</b> |
|---|-------------|-----------------|--------------|
| Japan (models CTO)  | 41A5091     | 1               | Y            |

| <b>8793 Keyboards (UltraNav Travel USB Keyboard - Japan only)</b> | <b>FRU#</b> | <b>CRU Tier</b> | <b>RoHS?</b> |
|---|-------------|-----------------|--------------|
| Japan (models CTO)  | 41A5161     | 1               | Y            |

| <b>8793 Mice</b>                                      | <b>FRU#</b> | <b>CRU Tier</b> | <b>RoHS?</b> |
|---|-------------|-----------------|--------------|
| Mouse, Optical Wheel (400DPI, USB) (models CTO 91G)   | 41U3013     | 1               | Y            |
| Mouse, Optical Wheel (400DPI, USB) (models CTO 91G)   | 41U3030     | 1               | Y            |
| Mouse, ScrollPoint Optical (800DPI, USB) (models CTO) | 41U3019     | 1               | Y            |

| <b>8793 Wireless I/O</b>       | <b>FRU#</b> | <b>CRU Tier</b> | <b>RoHS?</b> |
|--------------------------------|-------------|-----------------|--------------|
| Wireless Keyboard (models CTO) | 41A5219     | 1               | Y            |
| Wireless Mouse (models CTO)    | 41A5247     | 1               | Y            |
| Transceiver (USB) (models CTO) | 41A5246     | 1               | Y            |

| <b>8793 Adapters and miscellaneous FRUs</b>                             | <b>FRU#</b> | <b>CRU Tier</b> | <b>RoHS?</b> |
|---|-------------|-----------------|--------------|
| 128MB DDR ATI Radeon x300SE, PCIe x16, DMS59 (New Denver) (models CTO)  | 39J9635     | 1               | Y            |
| PCI-E DVI-DConnection Adapter (Full Height) (models CTO 91G)            | 39J9334     | 1               | Y            |
| Nvidia GeForce 7300LE 128MB 64bit ATX/LP w/S-Video, no DVI (models CTO) | 41X2669     | 1               | Y            |
| IEEE 1394 Firewire Adapter - full height (models CTO)                   | 41D2781     | 1               | Y            |
| Speakers, (2-piece) (Lenovo logo) (models CTO)                          | 41A5331     | 1               | Y            |
| Speakers, Lenovo Branded (models CTO)                                   | 41A5334     | 1               | Y            |
| Speaker Power brick - US, Canada, LA low voltage, ASEAN (models CTO)    | 89P8571     | 1               | Y            |
| Speaker Power brick - LA high voltage (non-APU) (models CTO)            | 89P8575     | 1               | Y            |
| Speaker Power brick - China, Thailand (models CTO)                      | 89P8581     | 1               | Y            |
| Speaker Power brick - Japan (models CTO)                                | 89P8577     | 1               | Y            |
| Speaker Power brick - Brazil (models CTO)                               | 89P8583     | 1               | Y            |
| Speaker Power brick - Argentina (models CTO)                            | 41A4901     | 1               | Y            |
| Speaker Power brick - ANZ (models CTO)                                  | 89P8579     | 1               | Y            |

| <b>8793 Adapters and miscellaneous FRUs</b>                                 | <b>FRU#</b> | <b>CRU Tier</b> | <b>RoHS?</b> |
|---|-------------|-----------------|--------------|
| Speaker Power brick - Korea (models CTO)                                    | 41A4903     | 1               | Y            |
| Speaker Brick - Hong Kong, EMEA (models CTO)                                | 89P8573     | 1               | Y            |
| Speaker Power brick - Taiwan (models CTO)                                   | 41A4905     | 1               | Y            |
| Speaker Power brick - India, South Africa (models CTO)                      | 89P8585     | 1               | Y            |
| Thermal Grease Syringe (all models)   | 91P8835     | 1               | Y            |
| Nvidia GeForce 7300LE 128MB 64bit ATX/LP w/S-Video, with DMS59 (models CTO) | 42Y8165     | 1               | Y            |
| ATI X1300LE 256M 64bit LP/ATX with DMS59 (models CTO)                       | 42Y8162     | 1               | Y            |
| Dongle DMS Dule DMS-59 to dual VGA cable (models CTO)                       | 42Y8181     | 1               | Y            |
| Dongle DMS Dule DMS-59 to single VGA and DVI cable (models CTO)             | 42Y8183     | 1               | Y            |
| Dongle DMS Dule DMS-59 to dual DVI - I cable (models CTO)                   | 41X6398     | 1               | Y            |

| <b>8793 Power Cords</b>  | <b>FRU#</b> | <b>CRU Tier</b> | <b>RoHS?</b> |
|--|-------------|-----------------|--------------|
| Power cord - US (models CTO-U)   | 39M5080     | 1               | Y            |
| Power cord - China (models CTO-A)  | 39M5205     | 1               | Y            |
| Power cord - Japan (models CTO-A)  | 39M5193     | 1               | Y            |
| Power cord - Brazil (models CTO-L)   | 39M5232     | 1               | Y            |
| Power cord - LA High Volt (APU) (models CTO-L)                                 | 39M5067     | 1               | Y            |
| Power cord - Australia/New Zealand (models CTO-A)                              | 39M5102     | 1               | Y            |
| Power cord - Korea (models CTO-A)  | 39M5212     | 1               | Y            |
| Power cord - Hong Kong (models CTO-A)  | 39M5151     | 1               | Y            |
| Power cord - UK, Ireland, Singapore, Malaysia, Brunei (models CTO-G CTO-A 91G) | 39M5150     | 1               | Y            |
| Power cord - Taiwan (models CTO-A)   | 39M5246     | 1               | Y            |
| Power cord - Italy/Chile (models CTO-G 91G)                                    | 39M5164     | 1               | Y            |
| Power cord - G models (models CTO-G CTO-A 91G)                                 | 39M5122     | 1               | Y            |
| Power cord - Denmark (models CTO-G 91G)  | 39M5129     | 1               | Y            |
| Power cord - Switzerland (models CTO-G 91G)                                    | 39M5157     | 1               | Y            |
| Power cord - Israel (models CTO-G 91G)   | 39M5171     | 1               | Y            |
| Power cord - South Africa (models CTO-G 91G)                                   | 39M5143     | 1               | Y            |
| Power cord - India (models CTO-A)  | 39M5004     | 1               | Y            |

| <b>8793 Windows XP Pro Recovery CDs</b> | <b>FRU#</b> | <b>CRU Tier</b> | <b>RoHS?</b> |
|---|-------------|-----------------|--------------|
| US/UK/AP/TH (models 91G)                | 42Y3236     | 1               | Y            |
| RE (models 91G)                         | 42Y5464     | 1               | Y            |
| FR/CF (models 91G)                      | 42Y4449     | 1               | Y            |
| GR (models 91G)                         | 42Y4450     | 1               | Y            |
| SP/LA (models 91G)                      | 42Y4451     | 1               | Y            |
| IT (models 91G)                         | 42Y4452     | 1               | Y            |

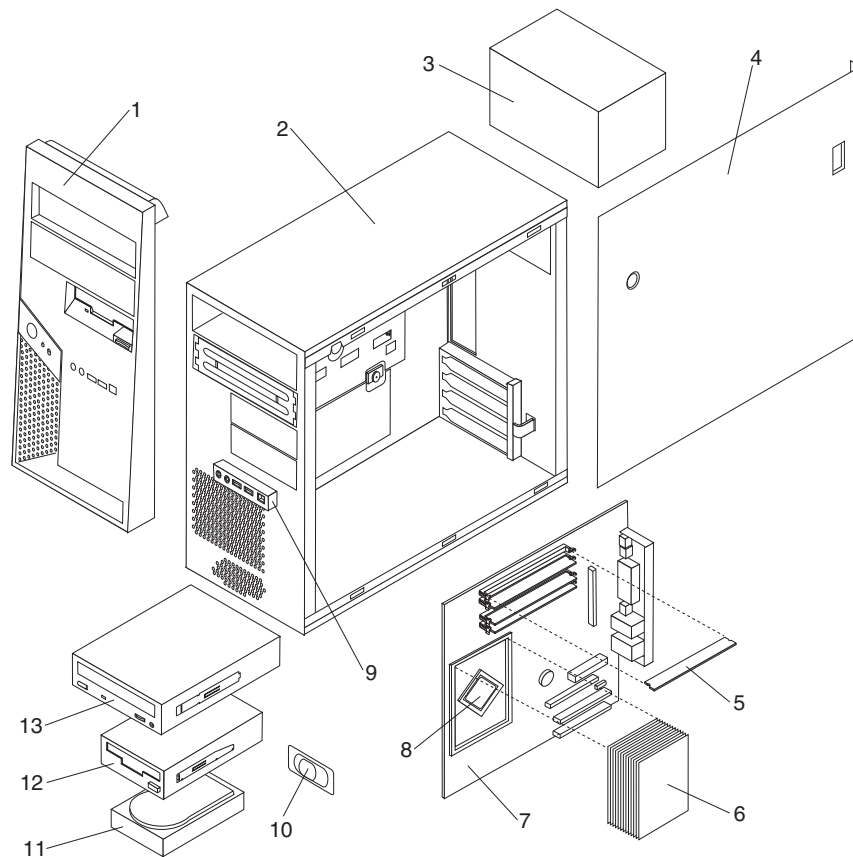
| 8793 Windows XP Pro Recovery CDs                  | FRU#    | CRU Tier | RoHS? |
|---|---------|----------|-------|
| SV (models 91G)                                   | 42Y4454 | 1        | Y     |
| DK (models 91G)                                   | 42Y4455 | 1        | Y     |
| FI (models 91G)                                   | 42Y5465 | 1        | Y     |
| NO (models 91G)                                   | 42Y5466 | 1        | Y     |
| NL (models 91G)                                   | 42Y5467 | 1        | Y     |
| HE (models 91G)                                   | 42Y5468 | 1        | Y     |
| PL (models 91G)                                   | 42Y5469 | 1        | Y     |
| CZ (models 91G)                                   | 42Y5470 | 1        | Y     |
| AE (models 91G)                                   | 42Y5471 | 1        | Y     |
| RU (models 91G)                                   | 42Y5472 | 1        | Y     |
| TR (models 91G)                                   | 42Y5473 | 1        | Y     |
| HU (models 91G)                                   | 42Y5474 | 1        | Y     |
| PO (models 91G)                                   | 42Y5475 | 1        | Y     |
| GK (models 91G)                                   | 42Y5476 | 1        | Y     |
| SL (models 91G)                                   | 42Y5477 | 1        | Y     |
| Multilingual 1 -- EN, NL, FR, GR, IT (models 91G) | 42Y4533 | 1        | Y     |
| Multilingual 2 -- EN, DK, FI, NO, SV (models 91G) | 42Y5626 | 1        | Y     |

| 8793 Vista Home Basic 32 Recovery DVDs | FRU#    | CRU Tier |
|--|---------|----------|
| US/UK/AP/TH (models)                   | 43C1440 | 1        |
| FR/CF (models)                         | 43C1441 | 1        |
| GR (models)                            | 43C1442 | 1        |
| SP/LA (models)                         | 43C1443 | 1        |
| BR (models)                            | 43C1444 | 1        |
| IT (models)                            | 43C1445 | 1        |
| JP (models)                            | 43C1446 | 1        |
| NO (models)                            | 43C1447 | 1        |
| SV (models)                            | 43C1448 | 1        |
| DK (models)                            | 43C1449 | 1        |
| NL (models)                            | 43C1450 | 1        |
| CZ (models)                            | 43C1451 | 1        |
| FI (models)                            | 43C1452 | 1        |
| PL (models)                            | 43C1453 | 1        |
| RU (models)                            | 43C1454 | 1        |
| TR (models)                            | 43C1455 | 1        |
| HU (models)                            | 43C1456 | 1        |
| GK (models)                            | 43C1457 | 1        |
| PO (models)                            | 43C1458 | 1        |
| CS (models)                            | 43C1459 | 1        |
| TW (models)                            | 43C1460 | 1        |

| 8793 Vista Home Basic 32 Recovery DVDs | FRU#    | CRU Tier |
|--|---------|----------|
| HK (models)                            | 43C1461 | 1        |
| KR (models)                            | 43C1462 | 1        |
| SL (models)                            | 43C1463 | 1        |
| RE (models)                            | 43C1464 | 1        |

| 8793 Vista Business 32 Recovery DVDs | FRU#    | CRU Tier |
|--------------------------------------|---------|----------|
| US/UK/AP/TH (models)                 | 43C1390 | 1        |
| FR/CF (models)                       | 43C1391 | 1        |
| GR (models)                          | 43C1392 | 1        |
| SP/LA (models)                       | 43C1393 | 1        |
| BR (models)                          | 43C1394 | 1        |
| IT (models)                          | 43C1395 | 1        |
| JP (models)                          | 43C1396 | 1        |
| NO (models)                          | 43C1397 | 1        |
| SV (models)                          | 43C1398 | 1        |
| DK (models)                          | 43C1399 | 1        |
| NL (models)                          | 43C1400 | 1        |
| CZ (models)                          | 43C1401 | 1        |
| FI (models)                          | 43C1402 | 1        |
| PL (models)                          | 43C1403 | 1        |
| RU (models)                          | 43C1404 | 1        |
| TR (models)                          | 43C1405 | 1        |
| HU (models)                          | 43C1406 | 1        |
| GK (models)                          | 43C1407 | 1        |
| PO (models)                          | 43C1408 | 1        |
| CS (models)                          | 43C1409 | 1        |
| TW (models)                          | 43C1410 | 1        |
| HK (models)                          | 43C1411 | 1        |
| KR (models)                          | 43C1412 | 1        |
| SL (models)                          | 43C1413 | 1        |
| RE (models)                          | 43C1414 | 1        |

## Machine Type 8794



| Item # | 8794 FRUs  | FRU#    | CRU Tier | RoHS? |
|--------|--|---------|----------|-------|
| 1      | Bezel Asm (all models)                                     | 41A7857 | 1        | Y     |
| 2      | Chassis Asm (all models)                                   | 41A7863 | N        | Y     |
| 3      | Power supply, 310 W, standard (models CTO 91G A1G)         | 41N3449 | 2        | Y     |
| 3      | Power supply, 310 W, China (models CTO-A D1V)              | 41N3452 | 2        | Y     |
| 3      | Power supply, 310 W, Japan (models CTO-A)                  | 41N3456 | 2        | Y     |
| 4      | Cover (all models)   | 39M0465 | 1        | Y     |
| 5      | Memory - 512MB DDR2 SDRAM NP Memory (PC 4200) (models CTO) | 30R5121 | 1        | Y     |
| 5      | Memory - 512MB DDR2 SDRAM NP Memory (PC 4200) (models CTO) | 41X4251 | 1        | Y     |
| 5      | Memory - 1GB DDR2 SDRAM NP Memory (PC 4200) (models CTO)   | 30R5122 | 1        | Y     |
| 5      | Memory - 2GB DDR2 SDRAM NP Memory (PC 4200) (models CTO)   | 30R5123 | 1        | Y     |
| 5      | Memory - 512MB DDR2 SDRAM NP (PC 5300) (models CTO D1V)    | 30R5125 | 1        | Y     |
| 5      | Memory - 1GB DDR2 SDRAM NP (PC 5300) (models CTO 91G A1G)  | 41X4252 | 1        | Y     |
| 5      | Memory - 1GB DDR2 SDRAM NP (PC 5300) (models CTO 91G A1G)  | 30R5126 | 1        | Y     |
| 5      | Memory - 2GB DDR2 SDRAM NP (PC 5300) (models CTO)          | 30R5127 | 1        | Y     |
| 5      | Memory - 512MB DDR2 SDRAM NP (PC 6400) (models CTO)        | 41X1079 | 1        | Y     |
| 5      | Memory - 1GB DDR2 SDRAM NP (PC 6400) (models CTO)          | 41X1080 | 1        | Y     |
| 5      | Memory - 2GB DDR2 SDRAM NP (PC 6400) (models CTO)          | 41X1081 | 1        | Y     |

| Item # | 8794 FRUs   | FRU#    | CRU Tier | RoHS? |
|--------|---|---------|----------|-------|
| 6      | Heat sink, aluminum (all models)  | 41A7855 | 2        | Y     |
| 7      | System board (G), (models CTO A1G D1V)  | 43C7178 | N        | Y     |
| 7      | System board (AMT), (models CTO 91G)  | 43C7179 | N        | Y     |
| 8      | Microprocessor, Pentium 4 3.06 GHz 533 FSB 1MB L2 (models CTO)                    | 41T4104 | N        | Y     |
| 8      | Microprocessor, Pentium 4 3.0 GHz 800 FSB 1MB L2 (models CTO)                     | 41T1701 | N        | Y     |
| 8      | Microprocessor, Pentium 4 3.2 GHz 800 FSB 1MB L2 (models CTO)                     | 41T1702 | N        | Y     |
| 8      | Microprocessor, Pentium 4 3.0 GHz 800 FSB 2MB L2 (models CTO)                     | 41T1712 | N        | Y     |
| 8      | Microprocessor, Pentium 4 3.2 GHz 800 FSB 2MB L2 (models CTO)                     | 41T1713 | N        | Y     |
| 8      | Microprocessor, Pentium 4 3.4 GHz 800 FSB 2MB L2 (models CTO)                     | 41T1714 | N        | Y     |
| 8      | Microprocessor, Pentium 4 3.6 GHz 800 FSB 2MB L2 (models CTO)                     | 41T1715 | N        | Y     |
| 8      | Microprocessor, Pentium D 2.8 GHz 800 FSB 1MB L2 (models CTO)                     | 41T1704 | N        | Y     |
| 8      | Microprocessor, Pentium D 2.8 GHz 800 FSB 2MB L2 (models CTO)                     | 41X7775 | N        | Y     |
| 8      | Microprocessor, Pentium D 3.0 GHz 800 FSB 2Mx2 L2 (models CTO A1G)                | 41X2413 | N        | Y     |
| 8      | Microprocessor, Pentium D 3.0 GHz 800 FSB 2Mx2 L2 (models CTO)                    | 41T1717 | N        | Y     |
| 8      | Microprocessor, Pentium D 3.2 GHz 800 FSB 2Mx2 L2 (models CTO)                    | 41X8050 | N        | Y     |
| 8      | Microprocessor, Pentium D 3.4 GHz 800 FSB 2Mx2 L2 (models CTO)                    | 41X7776 | N        | Y     |
| 8      | Microprocessor, Pentium E2140 800/1600MHZ-1M, LGA, EM64T (models CTO D1V)         | 43C1967 | N        | Y     |
| 8      | Microprocessor, Pentium E2160 800/1800MHZ-1M, LGA, EM64T (models CTO)             | 43C1968 | N        | Y     |
| 8      | Microprocessor, Pentium CONROE-L E2180 2.0GHz 800MHz FSB, 1M, EM64T (models)      | 45C1773 | N        | Y     |
| 8      | Microprocessor, Pentium CONROE-L E2220 2.4GHz 800MHz FSB, 1M, EM64T (models)      | 45C1774 | N        | Y     |
| 8      | Microprocessor, Core 2 Duo E4500 Processor 2.2GHz 800MHz FSB 2M (models)          | 43C6305 | N        | Y     |
| 8      | Microprocessor, Conroe E6300 Processor 1.86GHz 1066MHz FSB 2M L2 (models CTO 91G) | 41X2495 | N        | Y     |
| 8      | Microprocessor, Core 2 Duo E6320 1.86GHz 1066MHz FSB 4M B2 (models CTO)           | 43C3829 | N        | Y     |
| 8      | Microprocessor, Conroe E6400 Processor 2.13GHz 1066MHz FSB 2M L2 (models CTO)     | 41X2496 | N        | Y     |
| 8      | Microprocessor, Core 2 Duo E6420 Processor 2.13GHz 1066MHz FSB 4M B2 (models CTO) | 43C3831 | N        | Y     |
| 8      | Microprocessor, Conroe E6600 Processor 2.40GHz 1066MHz FSB 4M L2 (models CTO)     | 41X5743 | N        | Y     |
| 8      | Microprocessor, Conroe E6700 Processor 2.67GHz 1066MHz FSB 4M L2 (models CTO)     | 41X5744 | N        | Y     |
| 8      | Microprocessor, Celeron D 2.66GHz 533MHz FSB 256KB L2 (models CTO)                | 41T1694 | N        | Y     |
| 8      | Microprocessor, Celeron D 2.80GHz 533MHz FSB 256KB L2 (models CTO)                | 41T1695 | N        | Y     |
| 8      | Microprocessor, Celeron D 3.06GHz 533MHz FSB 256KB L2 (models CTO)                | 41T1697 | N        | Y     |
| 8      | Microprocessor, Celeron D 3.06GHz 533MHz FSB 512KB L2 (models CTO)                | 42Y8530 | N        | Y     |
| 8      | Microprocessor, Celeron D 3.20GHz 533MHz FSB 256KB L2 (models CTO)                | 41T1698 | N        | Y     |

| Item # | 8794 FRUs   | FRU#    | CRU Tier | RoHS? |
|--------|---|---------|----------|-------|
| 8      | Microprocessor, Celeron D 3.20GHz 533MHz FSB 512KB L2 (models CTO)                  | 41T4966 | N        | Y     |
| 8      | Microprocessor, Celeron D 3.33GHz 533MHz FSB 512KB L2 (models CTO)                  | 41T4968 | N        | Y     |
| 8      | Microprocessor, Celeron 420 800/1600MHZ-512K,LGA,EM64T A1 (models CTO)              | 43C3835 | N        | Y     |
| 8      | Microprocessor, Celeron 430 800/1800MHZ-512K,LGA,EM64T A1 (models CTO)              | 43C1964 | N        | Y     |
| 8      | Microprocessor, Celeron 440 800/1800MHZ-512K,LGA,EM64T A1 (models CTO)              | 43C1965 | N        | Y     |
| 8      | Microprocessor, Core 2 Duo E4300 1.8GHz 800MHz FSB 2M L2 (models CTO)               | 42Y8009 | N        | Y     |
| 8      | Microprocessor, Core 2 Duo E4400 2.0GHz 800MHz FSB 2M L2 (models CTO)               | 43C2056 | N        | Y     |
| 9      | Front panel card Asm (all models)   | 41A7864 | 2        | Y     |
| 10     | Speaker Asm, Soldered Terminals (all models)  | 39P5023 | 2        | Y     |
| 11     | Hard disk drive, 80GB, 7200RPM, Serial ATA (models CTO)                             | 40Y9034 | 1        | Y     |
| 11     | Hard disk drive, 80GB, 7200RPM, Serial ATA (models CTO)                             | 40Y8761 | 1        | Y     |
| 11     | Hard disk drive, 160GB, 7200RPM, Serial ATA (models CTO A1G D1V)                    | 40Y9035 | 1        | Y     |
| 11     | Hard disk drive, 160GB, 7200RPM, Serial ATA (models CTO A1G D1V)                    | 40Y8762 | 1        | Y     |
| 11     | Hard disk drive, 250GB, 7200RPM, Serial ATA (models CTO 91G)                        | 40Y9036 | 1        | Y     |
| 11     | Hard disk drive, 250GB, 7200RPM, Serial ATA (models CTO 91G)                        | 40Y8763 | 1        | Y     |
| 11     | Hard disk drive, 500GB, 7200RPM, Serial ATA (models CTO)                            | 41X5582 | 1        | Y     |
| 12     | Diskette drive, 1.44MB, 3-mode, w/o bezel (models CTO D1V)                          | 40Y9107 | 1        | Y     |
| 12     | Diskette drive, 1.44MB, 3-mode, w/o bezel (models CTO D1V)                          | 40Y9105 | 1        | Y     |
| 13     | DVD-ROM 16X/48X - Black (models CTO D1V)  | 41N3325 | 1        | Y     |
| 13     | CD-RW/DVD-ROM Combo Drive 48X/32X/48X/16X Max---nonvista/vista (models CTO 91G A1G) | 42Y9353 | 1        | Y     |
| 13     | DVD-RW/CD-RW Rambo 7 - SATA (models CTO 91G)  | 41N3347 | 1        | Y     |
| 13     | DVD-RW/CD-RW Rambo 7 - SATA (models CTO 91G)  | 42Y6374 | 1        | Y     |
| 13     | DVD-RW/CD-RW Rambo 7 - SATA (models CTO 91G)  | 42Y6373 | 1        | Y     |
| 13     | DVD Recorder Rambo 8 - SATA (models CTO)  | 43C1042 | 1        | Y     |

The FRUs listed in the following table are not illustrated.

| 8794 FRUs                                     | FRU#    | CRU Tier | RoHS? |
|---|---------|----------|-------|
| Cable, C2 Switch (models CTO 91G D1V)         | 39M0458 | 1        | Y     |
| Shield, 5.25 EMC (all models)                 | 39M0460 | 1        | Y     |
| Cable, SATA (18-inch RoHs) (all models)       | 26K1186 | 1        | Y     |
| Hard disk drive mounting bracket (all models) | 41R6367 | 1        | Y     |
| Cable, serial (all models)                    | 39K5021 | 1        | Y     |
| EMC shield, diskette drive (all models)       | 39M0464 | 1        | Y     |
| Cable, diskette drive (RoHs) (all models)     | 26K1184 | 1        | Y     |
| Bezel asm, diskette drive, black (all models) | 41A7806 | 1        | Y     |



| 8794 FRUs   | FRU#    | CRU Tier | RoHS? |
|---|---------|----------|-------|
| Fan duct Asm (all models)                               | 39M0470 | 1        | Y     |
| Device retaining clips (all models)                     | 39M0473 | 2        | Y     |
| Shield, system board (all models)                       | 41A7865 | N        | Y     |
| Miscellaneous hardware kit (all models)                 | 39M0477 | 1        | Y     |
| Cable, 1394 panel mount (all models)                    | 39M0478 | 1        | Y     |
| RM kit (all models)                                     | 39K5046 | N        | Y     |
| Thermal sense cable (460 mm) (all models)               | 41R2509 | 2        | Y     |
| Miscellaneous screw kit (all models)                    | 41R2477 | 2        | Y     |
| Cable, 2 Drop IDE (models CTO)                          | 39M0516 | 2        | Y     |
| Universal Adapter Bracket 5.25 to 3.5-inch (all models) | 32P4743 | 1        | Y     |

| 8794 Keyboards (USB Preferred - without hub) | FRU#    | CRU Tier | RoHS? |
|--|---------|----------|-------|
| US English (models A1G)                      | 41A5289 | 1        | Y     |
| Arabic (models A1G)                          | 41A5290 | 1        | Y     |
| Arabic/French (models A1G)                   | 41A5291 | 1        | Y     |
| Belgian/French (models A1G)                  | 41A5292 | 1        | Y     |
| Belgian/UK (models A1G)                      | 41A5293 | 1        | Y     |
| Bulgarian (models A1G)                       | 41A5295 | 1        | Y     |
| Chinese/US (models D1V)                      | 41A5296 | 1        | Y     |
| Czech (models A1G)                           | 41A5297 | 1        | Y     |
| Danish (models A1G)                          | 41A5298 | 1        | Y     |
| Dutch (models A1G)                           | 41A5299 | 1        | Y     |
| French (models A1G)                          | 41A5300 | 1        | Y     |
| German (models A1G)                          | 41A5303 | 1        | Y     |
| Greek (models A1G)                           | 41A5304 | 1        | Y     |
| Greek/US (models A1G)                        | 41A5305 | 1        | Y     |
| Hebrew (models A1G)                          | 41A5306 | 1        | Y     |
| Hungarian (models A1G)                       | 41A5307 | 1        | Y     |
| Iceland (models A1G)                         | 41A5308 | 1        | Y     |
| Italian 141 (models A1G)                     | 41A5309 | 1        | Y     |
| Norwegian (models A1G)                       | 41A5313 | 1        | Y     |
| Polish (models A1G)                          | 41A5314 | 1        | Y     |
| Portuguese (models A1G)                      | 41A5315 | 1        | Y     |
| Romanian 096 (models A1G)                    | 41A5317 | 1        | Y     |
| Romanian 446 (models A1G)                    | 41A5316 | 1        | Y     |
| Russian/Cyrillic (models A1G)                | 41A5318 | 1        | Y     |
| Serbian/Cyrillic (models A1G)                | 41A5319 | 1        | Y     |
| Slovak (models A1G)                          | 41A5320 | 1        | Y     |
| Spanish (models A1G)                         | 41A5321 | 1        | Y     |

| <b>8794 Keyboards (USB Preferred - without hub)</b> | <b>FRU#</b> | <b>CRU Tier</b> | <b>RoHS?</b> |
|---|-------------|-----------------|--------------|
| Swedish/Finn (models A1G)                           | 41A5322     | 1               | Y            |
| Swiss (models A1G)                                  | 41A5323     | 1               | Y            |
| Turkish 440 (models A1G)                            | 41A5325     | 1               | Y            |
| Turkish 179 (models A1G)                            | 41A5326     | 1               | Y            |
| UK English (models A1G)                             | 41A5327     | 1               | Y            |
| US Euro (models A1G)                                | 41A5328     | 1               | Y            |
| Slovenian (models A1G)                              | 41A5329     | 1               | Y            |

| <b>8794 Keyboards (Fingerprint Reader USB)</b> | <b>FRU#</b> | <b>CRU Tier</b> | <b>RoHS?</b> |
|--|-------------|-----------------|--------------|
| US English (models 91G)                        | 41A5248     | 1               | Y            |
| Arabic (models 91G)                            | 41A5249     | 1               | Y            |
| Arabic/French (models 91G)                     | 41A5250     | 1               | Y            |
| Belgian/French (models 91G)                    | 41A5251     | 1               | Y            |
| Belgian/UK (models 91G)                        | 41A5252     | 1               | Y            |
| Bulgarian (models 91G)                         | 41A5254     | 1               | Y            |
| Czech (models 91G)                             | 41A5256     | 1               | Y            |
| Danish (models 91G)                            | 41A5257     | 1               | Y            |
| Dutch (models 91G)                             | 41A5258     | 1               | Y            |
| French (models 91G)                            | 41A5259     | 1               | Y            |
| German (models 91G)                            | 41A5262     | 1               | Y            |
| Greek (models 91G)                             | 41A5263     | 1               | Y            |
| Greek/US (models 91G)                          | 41A5264     | 1               | Y            |
| Hebrew (models 91G)                            | 41A5265     | 1               | Y            |
| Hungarian (models 91G)                         | 41A5266     | 1               | Y            |
| Iceland (models 91G)                           | 41A5267     | 1               | Y            |
| Italian 141 (models 91G)                       | 41A5268     | 1               | Y            |
| Norwegian (models 91G)                         | 41A5272     | 1               | Y            |
| Polish (models 91G)                            | 41A5273     | 1               | Y            |
| Portuguese (models 91G)                        | 41A5274     | 1               | Y            |
| Romanian 096 (models 91G)                      | 41A5275     | 1               | Y            |
| Romanian 446 (models 91G)                      | 41A5276     | 1               | Y            |
| Russian/Cyrillic (models 91G)                  | 41A5277     | 1               | Y            |
| Serbian/Cyrillic (models 91G)                  | 41A5278     | 1               | Y            |
| Slovak (models 91G)                            | 41A5279     | 1               | Y            |
| Spanish (models 91G)                           | 41A5280     | 1               | Y            |
| Swedish/Finn (models 91G)                      | 41A5281     | 1               | Y            |
| Swiss (models 91G)                             | 41A5282     | 1               | Y            |
| Turkish 440 (models 91G)                       | 41A5284     | 1               | Y            |
| Turkish 179 (models 91G)                       | 41A5285     | 1               | Y            |

| <b>8794 Keyboards (Fingerprint Reader USB)</b> | <b>FRU#</b> | <b>CRU Tier</b> | <b>RoHS?</b> |
|--|-------------|-----------------|--------------|
| UK English (models 91G)                        | 41A5286     | 1               | Y            |
| US Euro (models 91G)                           | 41A5287     | 1               | Y            |
| Slovenian (models 91G)                         | 41A5288     | 1               | Y            |

| <b>8794 mice</b>                                      | <b>FRU#</b> | <b>CRU Tier</b> | <b>RoHS?</b> |
|---|-------------|-----------------|--------------|
| Mouse, Optical Wheel (400DPI, USB) (all models )      | 41U3013     | 1               | Y            |
| Mouse, Optical Wheel (400DPI, USB) (models CTO DIV)   | 41U3030     | 1               | Y            |
| Mouse, ScrollPoint Optical (800DPI, USB) (models CTO) | 41U3019     | 1               | Y            |

| <b>8794 Wireless I/O</b>       | <b>FRU#</b> | <b>CRU Tier</b> | <b>RoHS?</b> |
|--------------------------------|-------------|-----------------|--------------|
| Wireless Keyboard (models CTO) | 41A5219     | 1               | Y            |
| Wireless Mouse (models CTO)    | 41A5247     | 1               | Y            |
| Transceiver (USB) (models CTO) | 41A5246     | 1               | Y            |

| <b>8794 Adapters and miscellaneous FRU</b>                                  | <b>FRU#</b> | <b>CRU Tier</b> | <b>RoHS?</b> |
|---|-------------|-----------------|--------------|
| 256MB PCIe x16, full height (models CTO)                                    | 41T2725     | 1               | Y            |
| 128MB DDR ATI Radeon x300SE (DMS59 connector) (models CTO)                  | 39J9635     | 1               | Y            |
| PCI-E DVI-DConnection Adapter (Full Height) (models CTO 91G A1G)            | 39J9334     | 1               | Y            |
| Nvidia GeForce 7300LE 128MB 64bit ATX/LP w/S-Video, no DVI (models CTO)     | 41X2669     | 1               | Y            |
| ATI Radeon X1300 256MB 128bit ATX VGA/S-Video/DVI (models CTO)              | 42Y8159     | 1               | Y            |
| IEEE 1394 Firewire Adapter - full height (models CTO)                       | 41D2781     | 1               | Y            |
| Speakers, Lenovo Branded (models CTO)                                       | 41A5334     | 1               | Y            |
| Thermal grease syringe (all models)   | 91P8835     | 1               | Y            |
| Nvidia GeForce 7300LE 128MB 64bit ATX/LP w/S-Video, with DMS59 (models CTO) | 42Y8165     | 1               | Y            |
| ATI X1300LE 256M 64bit LP/ATX with DMS59 (models CTO)                       | 42Y8162     | 1               | Y            |
| Dongle DMS Dule DMS-59 to dual VGA cable (models CTO)                       | 42Y8181     | 1               | Y            |
| Dongle DMS Dule DMS-59 to single VGA and DVI cable (models CTO)             | 42Y8183     | 1               | Y            |
| Dongle DMS Dule DMS-59 to dual DVI - I cable (models CTO)                   | 41X6398     | 1               | Y            |

| <b>8794 Power Cords</b>                           | <b>FRU#</b> | <b>CRU Tier</b> | <b>RoHS?</b> |
|---|-------------|-----------------|--------------|
| Power cord - US (models CTO-U)                    | 39M5080     | 1               | Y            |
| Power cord - China (models CTO-A)                 | 39M5205     | 1               | Y            |
| Power cord - Japan (models CTO-U)                 | 39M5193     | 1               | Y            |
| Power cord - Brazil (models CTO-L)                | 39M5232     | 1               | Y            |
| Power cord - LA High Volt (APU) (models CTO-L)    | 39M5067     | 1               | Y            |
| Power cord - Australia/New Zealand (models CTO-A) | 39M5102     | 1               | Y            |

| 8794 Power Cords   | FRU#    | CRU Tier | RoHS? |
|--|---------|----------|-------|
| Power cord - Korea (models CTO-A)  | 39M5212 | 1        | Y     |
| Power cord - Hong Kong (models CTO-A)  | 39M5151 | 1        | Y     |
| Power cord - UK, Ireland, Singapore, Malaysia, Brunei (models CTO-G CTO-A 91G A1G) | 39M5150 | 1        | Y     |
| Power cord - Taiwan (models CTO-A D1V)   | 39M5246 | 1        | Y     |
| Power cord - Italy/Chile (models CTO-G 91G A1G)                                    | 39M5164 | 1        | Y     |
| Power cord - G models (models CTO-G CTO-A 91G A1G)                                 | 39M5122 | 1        | Y     |
| Power cord - Denmark (models CTO-G 91G A1G)  | 39M5129 | 1        | Y     |
| Power cord - Switzerland (models CTO-G 91G A1G)                                    | 39M5157 | 1        | Y     |
| Power cord - Israel (models CTO-G 91G A1G)   | 39M5171 | 1        | Y     |
| Power cord - South Africa (models CTO-G 91G A1G)                                   | 39M5143 | 1        | Y     |
| Power cord - India (models CTO-A)  | 39M5004 | 1        | Y     |

| 8794 Windows XP Pro Recovery CDs  | FRU#    | CRU Tier | RoHS? |
|---|---------|----------|-------|
| US/UK/AP/TH (models A5L A9L ABL AEL AFL B1G 91L 94R 95R 96L 95H 98L D1L E1L 6BG 69Q 8JQ 8ML 91Q 52L 52Q 53L 91G)  | 42Y3236 | 1        | Y     |
| RE (models B1G 6BG 91G)   | 42Y5464 | 1        | Y     |
| FR/CF (models B1G 6BG 91G)  | 42Y4449 | 1        | Y     |
| GR (models B1G 6BG 91G)   | 42Y4450 | 1        | Y     |
| SP/LA (models A5S A5D A5Y A9S A9D A9Y ABS ABD ABY AES AED AEY AFS AFD AFY B1G 91S 91D 91Y 96S 96D 96Y 98S 98D 98Y D1S D1D D1Y E1S E1D E1Y 6BG 61S 61Y 62S 62Y 8KS 8KY 8MS 8MY 9PS 9PY 9QS 9QY 9SS 9SY 52S 52D 52Y 53S 53D 53Y 54Y 91G)                                | 42Y4451 | 1        | Y     |
| IT (models B1G 6BG 91G)   | 42Y4452 | 1        | Y     |
| BR (models B1G 6BG 53P)   | 42Y4453 | 1        | Y     |
| SV (models B1G 6BG 91G)   | 42Y4454 | 1        | Y     |
| DK (models B1G 6BG 91G)   | 42Y4455 | 1        | Y     |
| FI (models B1G 6BG 91G)   | 42Y5465 | 1        | Y     |
| NO (models B1G 6BG 91G)   | 42Y5466 | 1        | Y     |
| NL (models B1G 6BG 91G)   | 42Y5467 | 1        | Y     |
| Korea (models 94K 95K)  | 42T8621 | 1        | Y     |
| Taiwan - TC (models A6V 96V 93V AAV D1V)  | 42T8633 | 1        | Y     |
| Hong Kong - TC (models 95B)   | 42T8639 | 1        | Y     |
| Japanese (models 92J 93J AKJ ALJ AMJ ANJ APJ AQJ ARJ ASJ ATJ AUJ AVJ AWJ AYJ AZJ 21J 22J 99J 9AJ 9BJ 9CJ 9DJ 9EJ 9FJ 9GJ 9HJ 9JJ 9KJ 9LJ 9MJ 9NJ 63J 64J 65J 66J 67J 68J 69J 56J 57J 58J 59J 6EJ 6FJ 6GJ 6HJ 5CJ 5DJ 5EJ 5FJ 5GJ 9TJ 9UJ 9VJ 9WJ DGJ DHJ DJJ 6CJ 6DJ) | 42T8645 | 1        | Y     |
| HE (models B1G 6BG 91G)   | 42Y5468 | 1        | Y     |
| PL (models B1G 6BG 91G)   | 42Y5469 | 1        | Y     |
| CZ (models B1G 6BG 91G)   | 42Y5470 | 1        | Y     |
| AE (models B1G 6BG 91G)   | 42Y5471 | 1        | Y     |
| RU (models B1G 6BG 91G)   | 42Y5472 | 1        | Y     |

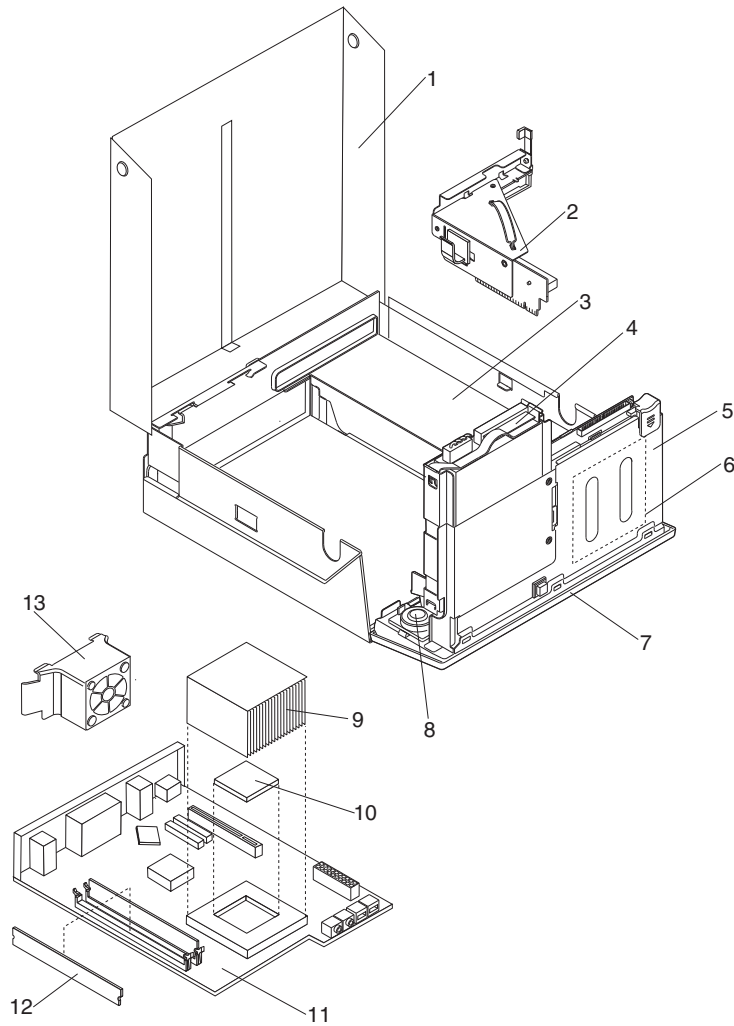
| 8794 Windows XP Pro Recovery CDs                          | FRU#    | CRU Tier | RoHS? |
|---|---------|----------|-------|
| TR (models B1G 6BG 91G)                                   | 42Y5473 | 1        | Y     |
| HU (models B1G 6BG 91G)                                   | 42Y5474 | 1        | Y     |
| PO (models B1G 6BG 91G)                                   | 42Y5475 | 1        | Y     |
| GK (models B1G 6BG 91G)                                   | 42Y5476 | 1        | Y     |
| SL (models B1G 6BG 91G)                                   | 42Y5477 | 1        | Y     |
| Multilingual 1 -- EN, NL, FR, GR, IT (models B1G 6BG 91G) | 42Y4533 | 1        | Y     |
| Multilingual 2 -- EN, DK, FI, NO, SV (models B1G 6BG 91G) | 42Y5626 | 1        | Y     |

| 8794 Vista Home Basic 32 Recovery DVDs | FRU#    | CRU Tier |
|--|---------|----------|
| US/UK/AP/TH (models)                   | 43C1440 | 1        |
| FR/CF (models)                         | 43C1441 | 1        |
| GR (models)                            | 43C1442 | 1        |
| SP/LA (models)                         | 43C1443 | 1        |
| BR (models)                            | 43C1444 | 1        |
| IT (models)                            | 43C1445 | 1        |
| JP (models)                            | 43C1446 | 1        |
| NO (models)                            | 43C1447 | 1        |
| SV (models)                            | 43C1448 | 1        |
| DK (models)                            | 43C1449 | 1        |
| NL (models)                            | 43C1450 | 1        |
| CZ (models)                            | 43C1451 | 1        |
| FI (models)                            | 43C1452 | 1        |
| PL (models)                            | 43C1453 | 1        |
| RU (models)                            | 43C1454 | 1        |
| TR (models)                            | 43C1455 | 1        |
| HU (models)                            | 43C1456 | 1        |
| GK (models)                            | 43C1457 | 1        |
| PO (models)                            | 43C1458 | 1        |
| CS (models)                            | 43C1459 | 1        |
| TW (models)                            | 43C1460 | 1        |
| HK (models)                            | 43C1461 | 1        |
| KR (models)                            | 43C1462 | 1        |
| SL (models)                            | 43C1463 | 1        |
| RE (models)                            | 43C1464 | 1        |

| 8794 Vista Business 32 Recovery DVDs | FRU#    | CRU Tier |
|--------------------------------------|---------|----------|
| US/UK/AP/TH (models)                 | 43C1390 | 1        |
| FR/CF (models)                       | 43C1391 | 1        |
| GR (models)                          | 43C1392 | 1        |
| SP/LA (models)                       | 43C1393 | 1        |

| 8794 Vista Business 32 Recovery DVDs | FRU#    | CRU Tier |
|--------------------------------------|---------|----------|
| BR (models)                          | 43C1394 | 1        |
| IT (models)                          | 43C1395 | 1        |
| JP (models)                          | 43C1396 | 1        |
| NO (models)                          | 43C1397 | 1        |
| SV (models)                          | 43C1398 | 1        |
| DK (models)                          | 43C1399 | 1        |
| NL (models)                          | 43C1400 | 1        |
| CZ (models)                          | 43C1401 | 1        |
| FI (models)                          | 43C1402 | 1        |
| PL (models)                          | 43C1403 | 1        |
| RU (models)                          | 43C1404 | 1        |
| TR (models)                          | 43C1405 | 1        |
| HU (models)                          | 43C1406 | 1        |
| GK (models)                          | 43C1407 | 1        |
| PO (models)                          | 43C1408 | 1        |
| CS (models)                          | 43C1409 | 1        |
| TW (models D1V)                      | 43C1410 | 1        |
| HK (models)                          | 43C1411 | 1        |
| KR (models)                          | 43C1412 | 1        |
| SL (models)                          | 43C1413 | 1        |
| RE (models)                          | 43C1414 | 1        |

# Machine Type 8795



| Item # | 8795 FRUs   | FRU#    | CRU Tier | RoHS? |
|--------|---|---------|----------|-------|
| 1      | Top Cover (all models)  | 89P6782 | 1        | Y     |
| 2      | Pocono Interposal Card (all models)                                       | 41R2902 | 1        | Y     |
| 2      | PCI Riser Card Bracket Asm (all models)                                   | 41N8276 | 1        | Y     |
| 2      | Riser Card Bracket Asm, Flippable PCI and PCIX/DVI, RoHS (all models)     | 39M0618 | 1        | Y     |
| 3      | Power Supply (models CTO B1G B2G D1G D2G)                                 | 41N3105 | N        | Y     |
| 3      | Power Supply, 225 Watt (models)   | 41A9735 | N        | Y     |
| 4      | Hard disk drive 80GB 7200rpm Serial ATA, (models CTO D3Q)                 | 40Y9034 | 1        | Y     |
| 4      | Hard disk drive 80GB 7200rpm Serial ATA, (models CTO D3Q)                 | 40Y8761 | 1        | Y     |
| 4      | Hard disk drive 160GB 7200rpm Serial ATA (models CTO A1C B1G B2G D1G D2G) | 40Y9035 | 1        | Y     |
| 4      | Hard disk drive 160GB 7200rpm Serial ATA (models CTO A1C B1G B2G D1G D2G) | 40Y8762 | 1        | Y     |
| 4      | Hard disk drive 250GB 7200rpm Serial ATA (models CTO)                     | 40Y9036 | 1        | Y     |
| 4      | Hard disk drive 250GB 7200rpm Serial ATA (models CTO)                     | 40Y8763 | 1        | Y     |

| Item # | 8795 FRUs  | FRU#    | CRU Tier | RoHS? |
|--------|--|---------|----------|-------|
| 4      | Hard disk drive 500GB 7200rpm Serial ATA (models CTO)  | 41X5582 | 1        | Y     |
| 5      | Front Rotating Cage assembly (all models)  | 41N5315 | 2        | Y     |
| 6      | CD-RW/DVD-ROM Combo Drive 48X/32X/48X/16X Max--vista and nonvista (models CTO A1C B1G B2G D3Q) | 87H4936 | 1        | Y     |
| 6      | CD-RW/DVD-ROM Combo Drive 48X/32X/48X/16X Max-nonvista / vista (models CTO A1C B1G B2G D3Q)    | 43C5016 | 1        | Y     |
| 6      | CD-RW/DVD-ROM Combo Drive 48X/32X/48X/16X Max-nonvista / vista (models CTO A1C B1G B2G D3Q)    | 43C2648 | 1        | Y     |
| 6      | CD-RW/DVD-ROM Combo Drive 48X/32X/48X/16X Max-nonvista / vista (models CTO A1C B1G B2G D3Q)    | 43C2649 | 1        | Y     |
| 6      | DVD-RW/CD-RW Rambo 5 - IDE-vista (models CTO D1G D2G)  | 87H4937 | 1        | Y     |
| 6      | DVD-RW/CD-RW - IDE (models CTO D1G)  | 41N3355 | 1        | Y     |
| 6      | DVD-RW/CD-RW Rambo 5 - IDE (models CTO D1G D2G)  | 43C0053 | 1        | Y     |
| 6      | DVD-RW/CD-RW Rambo 5 - IDE--vista and nonvista (models CTO D1G D2G)                            | 42Y3910 | 1        | Y     |
| 7      | Front Bezel (all models)   | 41N5316 | 1        | Y     |
| 8      | Speaker and Cable assembly (all models)  | 39K5012 | 1        | Y     |
| 9      | Heat Sink (all models)   | 41A7711 | 2        | Y     |
| 10     | Microprocessor, Pentium 4 3.06 GHz 533 FSB 1MB L2 (models CTO)                                 | 41T4104 | N        | Y     |
| 10     | Microprocessor, Pentium 4 3.0 GHz 800 FSB 1MB L2 (models CTO)                                  | 41T1701 | N        | Y     |
| 10     | Microprocessor, Pentium 4 3.2 GHz 800 FSB 1MB L2 (models CTO)                                  | 41T1702 | N        | Y     |
| 10     | Microprocessor, Pentium 4 3.0 GHz 800 FSB 2MB L2 (models CTO)                                  | 41T1712 | N        | Y     |
| 10     | Microprocessor, Pentium 4 3.2 GHz 800 FSB 2MB L2 (models CTO)                                  | 41T1713 | N        | Y     |
| 10     | Microprocessor, Pentium 4 3.4 GHz 800 FSB 2MB L2 (models CTO)                                  | 41T1714 | N        | Y     |
| 10     | Microprocessor, Pentium 4 3.6 GHz 800 FSB 2MB L2 (models CTO)                                  | 41T1715 | N        | Y     |
| 10     | Microprocessor, Pentium D 2.8 GHz 800 FSB 1MB L2 (models CTO)                                  | 41T1704 | N        | Y     |
| 10     | Microprocessor, Pentium D 2.8 GHz 800 FSB 2MB L2 (models CTO B1G B2G )                         | 41X7775 | N        | Y     |
| 10     | Microprocessor, Pentium D 3.0 GHz 800 FSB 2Mx2 L2 (models CTO A1C)                             | 41X2413 | N        | Y     |
| 10     | Microprocessor, Pentium D 3.0 GHz 800 FSB 2Mx2 L2 (models CTO)                                 | 41T1717 | N        | Y     |
| 10     | Microprocessor, Pentium D 3.2 GHz 800 FSB 2Mx2 L2 (models CTO)                                 | 41X8050 | N        | Y     |
| 10     | Microprocessor, Pentium D 3.4 GHz 800 FSB 2Mx2 L2 (models CTO)                                 | 41X7776 | N        | Y     |
| 10     | Microprocessor, Pentium E2140 800/1600MHZ-1M, LGA, EM64T (models CTO D1G D2G D3Q)              | 43C1967 | N        | Y     |
| 10     | Microprocessor, Pentium E2160 800/1800MHZ-1M, LGA, EM64T (models CTO)                          | 43C1968 | N        | Y     |
| 10     | Microprocessor, Pentium CONROE-L E2180 2.0GHz 800MHz FSB, 1M, EM64T (models)                   | 45C1773 | N        | Y     |
| 10     | Microprocessor, Pentium CONROE-L E2220 2.4GHz 800MHz FSB, 1M, EM64T (models)                   | 45C1774 | N        | Y     |
| 10     | Microprocessor, Core 2 Duo E4500 Processor 2.2GHz 800MHz FSB 2M (models)                       | 43C6305 | N        | Y     |
| 10     | Microprocessor, Conroe E6300 Processor 1.86GHz 1066MHz FSB 2M L2 (models CTO)                  | 41X2495 | N        | Y     |



| Item # | 8795 FRUs   | FRU#    | CRU Tier | RoHS? |
|--------|---|---------|----------|-------|
| 10     | Microprocessor, Core 2 Duo E6320 1.86GHz 1066MHz FSB 4M B2 (models CTO)           | 43C3829 | N        | Y     |
| 10     | Microprocessor, Conroe E6400 Processor 2.13GHz 1066MHz FSB 2M L2 (models CTO)     | 41X2496 | N        | Y     |
| 10     | Microprocessor, Core 2 Duo E6420 Processor 2.13GHz 1066MHz FSB 4M B2 (models CTO) | 43C3831 | N        | Y     |
| 10     | Microprocessor, Celeron D 2.66GHz 533MHz FSB 256KB L2 (models CTO)                | 41T1694 | N        | Y     |
| 10     | Microprocessor, Celeron D 2.80GHz 533MHz FSB 256KB L2 (models CTO)                | 41T1695 | N        | Y     |
| 10     | Microprocessor, Celeron D 3.06GHz 533MHz FSB 256KB L2 (models CTO)                | 41T1697 | N        | Y     |
| 10     | Microprocessor, Celeron D 3.06GHz 533MHz FSB 512KB L2 (models CTO)                | 42Y8530 | N        | Y     |
| 10     | Microprocessor, Celeron D 3.20GHz 533MHz FSB 256KB L2 (models CTO)                | 41T1698 | N        | Y     |
| 10     | Microprocessor, Celeron D 3.20GHz 533MHz FSB 512KB L2 (models CTO)                | 41T4966 | N        | Y     |
| 10     | Microprocessor, Celeron D 3.33GHz 533MHz FSB 512KB L2 (models CTO)                | 41T4968 | N        | Y     |
| 10     | Microprocessor, Celeron 420 800/1600MHZ-512K,LGA,EM64T A1 (models CTO)            | 43C3835 | N        | Y     |
| 10     | Microprocessor, Celeron 430 800/1800MHZ-512K,LGA,EM64T A1 (models CTO)            | 43C1964 | N        | Y     |
| 10     | Microprocessor, Celeron 440 800/1800MHZ-512K,LGA,EM64T A1 (models CTO)            | 43C1965 | N        | Y     |
| 10     | Microprocessor, Core 2 Duo E4300 1.8GHz 800MHz FSB 2M L2 (models CTO)             | 42Y8009 | N        | Y     |
| 10     | Microprocessor, Core 2 Duo E4400 2.0GHz 800MHz FSB 2M L2 (models CTO)             | 43C2056 | N        | Y     |
| 11     | System board (models CTO A1C B1G B2G D1G D2G D3Q)                                 | 43C7181 | 2        | Y     |
| 12     | Memory - 512MB DDR2 SDRAM NP Memory (PC 4200) (models CTO)                        | 30R5121 | 1        | Y     |
| 12     | Memory - 512MB DDR2 SDRAM NP Memory (PC 4200) (models CTO)                        | 41X4251 | 1        | Y     |
| 12     | Memory - 1GB DDR2 SDRAM NP Memory (PC 4200) (models CTO B2G)                      | 30R5122 | 1        | Y     |
| 12     | Memory - 2GB DDR2 SDRAM NP Memory (PC 4200) (models CTO)                          | 30R5123 | 1        | Y     |
| 12     | Memory - 512MB DDR2 SDRAM NP (PC 5300) (models CTO A1C D3Q)                       | 30R5125 | 1        | Y     |
| 12     | Memory - 1GB DDR2 SDRAM NP (PC 5300) (models CTO B1G D1G D2G)                     | 30R5126 | 1        | Y     |
| 12     | Memory - 1GB DDR2 SDRAM NP (PC 5300) (models CTO B1G D1G D2G)                     | 41X4252 | 1        | Y     |
| 12     | Memory - 2GB DDR2 SDRAM NP (PC 5300) (models CTO)                                 | 30R5127 | 1        | Y     |
| 12     | Memory - 512MB DDR2 SDRAM NP (PC 6400) (models CTO)                               | 41X1079 | 1        | Y     |
| 12     | Memory - 1GB DDR2 SDRAM NP (PC 6400) (models CTO)                                 | 41X1080 | 1        | Y     |
| 12     | Memory - 2GB DDR2 SDRAM NP (PC 6400) (models CTO)                                 | 41X1081 | 1        | Y     |
| 13     | Rear exhaust fan (all models)   | 39M0551 | 1        | Y     |

The FRUs listed in the following table are not illustrated.

| 8795 FRUs  | FRU#    | CRU Tier | RoHS? |
|--|---------|----------|-------|
| Bezel, Ultra-Bay-Enhanced (all models)                                     | 89P6804 | 1        | Y     |
| HSS Tray assembly (includes grommet/pins/brkt/ground springs) (all models) | 89P6778 | 1        | Y     |

| 8795 FRUs  | FRU#    | CRU Tier | RoHS? |
|--|---------|----------|-------|
| Power/LED cable assembly with bracket (all models)         | 39K5055 | 2        | Y     |
| Chassis and cover assembly (all models)                    | 41N5314 | 2        | Y     |
| Cable, SATA hard disk drive and optical drive (all models) | 39K5061 | 1        | Y     |
| Ultra Bay Enhanced Cable/Card Assembly (all models)        | 41N5305 | 2        | Y     |
| Fan assembly, front (all models)                           | 41R6359 | 1        | Y     |
| Vertical stand (all models)                                | 89P6792 | 1        | Y     |
| Rear air deflector (all models)                            | 89P6793 | 1        | Y     |
| Miscellaneous hardware kit (all models)                    | 89P6794 | 1        | Y     |
| Plastic parts kit (all models)                             | 39M0575 | 2        | Y     |
| Battery 3.0V (all models)                                  | 33F8354 | 1        | Y     |
| Underdesk Mounting Kit (all models)                        | 39M0599 | 1        | Y     |
| Chassis Intrusion Switch-C2 Cable-Switch (models CTO)      | 39K5022 | 1        | Y     |
| Thermal Sense cable (850 mm) (all models)                  | 41R2511 | 1        | Y     |

| 8795 Keyboards (USB Preferred - without hub) | FRU#    | CRU Tier | RoHS? |
|--|---------|----------|-------|
| US English (models B1G B2G D1G D2G D3Q)      | 41A5289 | 1        | Y     |
| China (models A1C)                           | TBD     | 1        | Y     |
| Arabic (models B1G B2G D1G D2G)              | 41A5290 | 1        | Y     |
| Belgian/French (models B1G B2G D1G D2G)      | 41A5292 | 1        | Y     |
| Belgian/UK (models B1G B2G D1G D2G)          | 41A5293 | 1        | Y     |
| Bulgarian (models B1G B2G D1G D2G)           | 41A5295 | 1        | Y     |
| Czech (models B1G B2G D1G D2G)               | 41A5297 | 1        | Y     |
| Danish (models B1G B2G D1G D2G)              | 41A5298 | 1        | Y     |
| Dutch (models B1G B2G D1G D2G)               | 41A5299 | 1        | Y     |
| French (models B1G B2G D1G D2G)              | 41A5300 | 1        | Y     |
| German (models B1G B2G D1G D2G)              | 41A5303 | 1        | Y     |
| Greek (models B1G B2G D1G D2G)               | 41A5304 | 1        | Y     |
| Greek/US (models B1G B2G D1G D2G)            | 41A5305 | 1        | Y     |
| Hebrew (models B1G B2G D1G D2G)              | 41A5306 | 1        | Y     |
| Hungarian (models B1G B2G D1G D2G)           | 41A5307 | 1        | Y     |
| Iceland (models B1G B2G D1G D2G)             | 41A5308 | 1        | Y     |
| Italian 141 (models B1G B2G D1G D2G)         | 41A5309 | 1        | Y     |
| Norwegian (models B1G B2G D1G D2G)           | 41A5313 | 1        | Y     |
| Polish (models B1G B2G D1G D2G)              | 41A5314 | 1        | Y     |
| Portuguese (models B1G B2G D1G D2G)          | 41A5315 | 1        | Y     |
| Romanian 096 (models B1G B2G D1G D2G)        | 41A5317 | 1        | Y     |
| Romanian 446 (models B1G B2G D1G D2G)        | 41A5316 | 1        | Y     |
| Russian/Cyrillic (models B1G B2G D1G D2G)    | 41A5318 | 1        | Y     |
| Serbian/Cyrillic (models B1G B2G D1G D2G)    | 41A5319 | 1        | Y     |

| <b>8795 Keyboards (USB Preferred - without hub)</b> | <b>FRU#</b> | <b>CRU Tier</b> | <b>RoHS?</b> |
|---|-------------|-----------------|--------------|
| Slovak (models B1G B2G D1G D2G)                     | 41A5320     | 1               | Y            |
| Spanish (models B1G B2G D1G D2G)                    | 41A5321     | 1               | Y            |
| Swedish/Finn (models B1G B2G D1G D2G)               | 41A5322     | 1               | Y            |
| Swiss (models B1G B2G D1G D2G)                      | 41A5323     | 1               | Y            |
| Turkish 440 (models B1G B2G D1G D2G)                | 41A5325     | 1               | Y            |
| Turkish 179 (models B1G B2G D1G D2G)                | 41A5326     | 1               | Y            |
| UK English (models B1G B2G D1G D2G)                 | 41A5327     | 1               | Y            |
| US Euro (models B1G B2G D1G D2G)                    | 41A5328     | 1               | Y            |
| Slovenian (models B1G B2G D1G D2G)                  | 41A5329     | 1               | Y            |

| <b>8795 Mice</b>  | <b>FRU#</b> | <b>CRU Tier</b> | <b>RoHS?</b> |
|---|-------------|-----------------|--------------|
| Mouse, Optical Wheel (400DPI, USB) (models CTO B1G B2G D1G D2G)     | 41U3013     | 1               | Y            |
| Mouse, ScrollPoint Optical (800DPI, USB) (models CTO)               | 41U3019     | 1               | Y            |
| Mouse, Optical Wheel (400DPI, USB) (models CTO A1C B1G B2G D1G D2G) | 41U3030     | 1               | Y            |

| <b>8795 Wireless I/O</b>       | <b>FRU#</b> | <b>CRU Tier</b> | <b>RoHS?</b> |
|--------------------------------|-------------|-----------------|--------------|
| Wireless Keyboard (models CTO) | 41A5219     | 1               | Y            |
| Wireless Mouse (models CTO)    | 41A5247     | 1               | Y            |
| Transceiver (USB) (models CTO) | 41A5246     | 1               | Y            |

| <b>8795 Adapters and miscellaneous FRUs</b>                          | <b>FRU#</b> | <b>CRU Tier</b> | <b>RoHS?</b> |
|--|-------------|-----------------|--------------|
| PCI-E DVI-DConnection Adapter (Full Height) (models CTO)             | 39J9334     | 1               | Y            |
| IEEE 1394 Firewire Adapter - full height (models CTO)                | 41D2781     | 1               | Y            |
| Speakers, Lenovo Branded (models CTO)                                | 41A5334     | 1               | Y            |
| Speaker Power brick - US, Canada, LA low voltage, ASEAN (models CTO) | 89P8571     | 1               | Y            |
| Speaker Power brick - LA high voltage (non-APU) (models CTO)         | 89P8575     | 1               | Y            |
| Speaker Power brick - China, Thailand (models CTO)                   | 89P8581     | 1               | Y            |
| Speaker Power brick - Japan (models CTO)                             | 89P8577     | 1               | Y            |
| Speaker Power brick - Brazil (models CTO)                            | 89P8583     | 1               | Y            |
| Speaker Power brick - Argentina (models CTO)                         | 41A4901     | 1               | Y            |
| Speaker Power brick - ANZ (models CTO)                               | 89P8579     | 1               | Y            |
| Speaker Power brick - Korea (models CTO)                             | 41A4903     | 1               | Y            |
| Speaker Brick - Hong Kong, EMEA (models CTO)                         | 89P8573     | 1               | Y            |
| Speaker Power brick - Taiwan (models CTO)                            | 41A4905     | 1               | Y            |
| Speaker Power brick - India, South Africa (models CTO)               | 89P8585     | 1               | Y            |
| Thermal Grease Syringe (all models)                                  | 91P8835     | 1               | Y            |

| 8795 Power Cords   | FRU#    | CRU Tier | RoHS? |
|--|---------|----------|-------|
| Power Cord (US) (models CTO-U)   | 39M5080 | 1        | Y     |
| Power Cord (China) (models CTO-A A1C)  | 39M5205 | 1        | Y     |
| Power Cord (Japan) (models CTO-A)  | 39M5193 | 1        | Y     |
| Power Cord (Brazil) (models CTO-L)   | 39M5232 | 1        | Y     |
| Power Cord (LA), (High Volt) (APU) (models CTO-L)  | 39M5067 | 1        | Y     |
| Power Cord (Australia, New Zealand) (models CTO-A)   | 39M5102 | 1        | Y     |
| Power Cord (Korea) (models CTO-A)  | 39M5212 | 1        | Y     |
| Power Cord (Hong Kong) (models CTO-A)  | 39M5151 | 1        | Y     |
| Power Cord (UK, Ireland, Singapore, Malaysia, Brunei) (models CTO-G CTO-A B1G B2G D1G D2G) | 39M5150 | 1        | Y     |
| Power Cord (Taiwan) (models CTO-A)   | 39M5246 | 1        | Y     |
| Power Cord (Italy) (models CTO-G B1G B2G D1G D2G)  | 39M5164 | 1        | Y     |
| Power Cord (G models) (models CTO-G CTO-A)   | 39M5122 | 1        | Y     |
| Power Cord (Denmark) (models CTO-G B1G B2G D1G D2G)  | 39M5129 | 1        | Y     |
| Power Cord (Switzerland) (models CTO-G B1G B2G D1G D2G)                                    | 39M5157 | 1        | Y     |
| Power Cord (Israel) (models CTO-G B1G B2G D1G D2G)   | 39M5171 | 1        | Y     |
| Power Cord (South Africa) (models CTO-G B1G B2G D1G D2G)                                   | 39M5143 | 1        | Y     |
| Power Cord (India) (models CTO-A D3Q)  | 39M5004 | 1        | Y     |

| 8795 Windows XP Pro Recovery CDs     | FRU#    | CRU Tier | RoHS? |
|--------------------------------------|---------|----------|-------|
| US/UK/AP/TH (models D1G B2G D2G D3Q) | 42Y3236 | 1        | Y     |
| RE (models D1G B2G D2G)              | 42Y5464 | 1        | Y     |
| FR/CF (models D1G B2G D2G)           | 42Y4449 | 1        | Y     |
| GR (models D1G B2G D2G)              | 42Y4450 | 1        | Y     |
| SP/LA (models D1G B2G D2G)           | 42Y4451 | 1        | Y     |
| IT (models D1G B2G D2G)              | 42Y4452 | 1        | Y     |
| SV (models D1G B2G D2G)              | 42Y4454 | 1        | Y     |
| DK (models D1G B2G D2G)              | 42Y4455 | 1        | Y     |
| FI (models D1G B2G D2G)              | 42Y5465 | 1        | Y     |
| NO (models D1G B2G D2G)              | 42Y5466 | 1        | Y     |
| NL (models D1G B2G D2G)              | 42Y5467 | 1        | Y     |
| Simplified Chinese (models A1C)      | 42T8627 | 1        | Y     |
| HE (models D1G B2G D2G)              | 42Y5468 | 1        | Y     |
| PL (models D1G B2G D2G)              | 42Y5469 | 1        | Y     |
| CZ (models D1G B2G D2G)              | 42Y5470 | 1        | Y     |
| AE (models D1G B2G D2G)              | 42Y5471 | 1        | Y     |
| RU (models D1G B2G D2G)              | 42Y5472 | 1        | Y     |
| TR (models D1G B2G D2G)              | 42Y5473 | 1        | Y     |
| HU (models D1G B2G D2G)              | 42Y5474 | 1        | Y     |
| PO (models D1G B2G D2G)              | 42Y5475 | 1        | Y     |

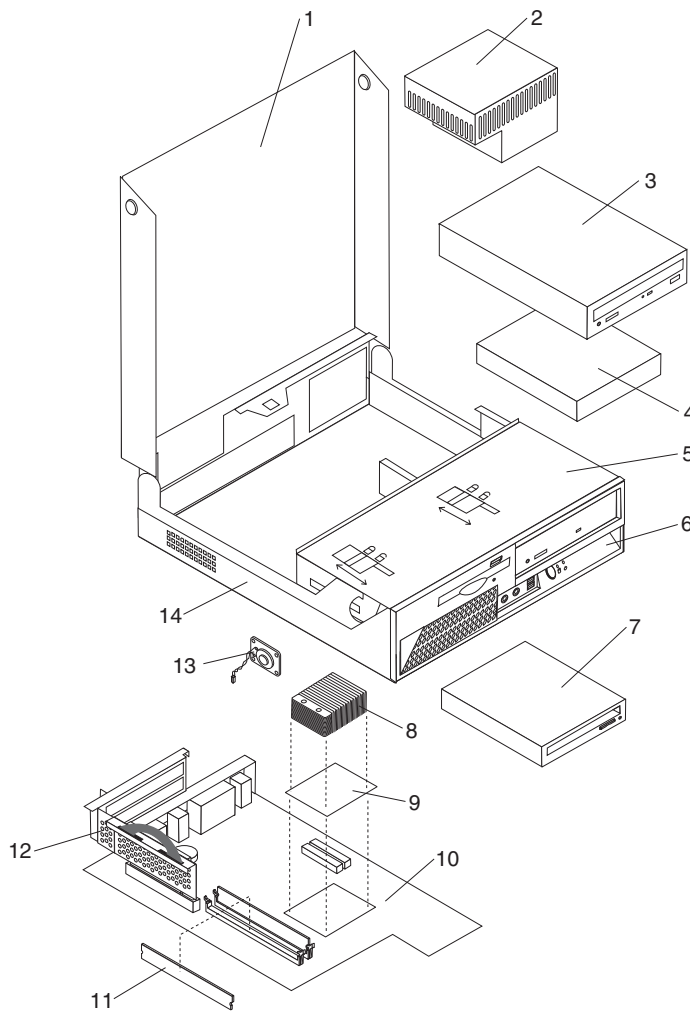
| 8795 Windows XP Pro Recovery CDs                          | FRU#    | CRU Tier | RoHS? |
|---|---------|----------|-------|
| GK (models D1G B2G D2G)                                   | 42Y5476 | 1        | Y     |
| SL (models D1G B2G D2G)                                   | 42Y5477 | 1        | Y     |
| Multilingual 1 -- EN, NL, FR, GR, IT (models D1G B2G D2G) | 42Y4533 | 1        | Y     |
| Multilingual 2 -- EN, DK, FI, NO, SV (models D1G B2G D2G) | 42Y5626 | 1        | Y     |

| 8795 Vista Home Basic 32 Recovery DVDs | FRU#    | CRU Tier |
|--|---------|----------|
| US/UK/AP/TH (models)                   | 43C1440 | 1        |
| FR/CF (models)                         | 43C1441 | 1        |
| GR (models)                            | 43C1442 | 1        |
| SP/LA (models)                         | 43C1443 | 1        |
| BR (models)                            | 43C1444 | 1        |
| IT (models)                            | 43C1445 | 1        |
| JP (models)                            | 43C1446 | 1        |
| NO (models)                            | 43C1447 | 1        |
| SV (models)                            | 43C1448 | 1        |
| DK (models)                            | 43C1449 | 1        |
| NL (models)                            | 43C1450 | 1        |
| CZ (models)                            | 43C1451 | 1        |
| FI (models)                            | 43C1452 | 1        |
| PL (models)                            | 43C1453 | 1        |
| RU (models)                            | 43C1454 | 1        |
| TR (models)                            | 43C1455 | 1        |
| HU (models)                            | 43C1456 | 1        |
| GK (models)                            | 43C1457 | 1        |
| PO (models)                            | 43C1458 | 1        |
| CS (models)                            | 43C1459 | 1        |
| TW (models)                            | 43C1460 | 1        |
| HK (models)                            | 43C1461 | 1        |
| KR (models)                            | 43C1462 | 1        |
| SL (models)                            | 43C1463 | 1        |
| RE (models)                            | 43C1464 | 1        |

| 8795 Vista Business 32 Recovery DVDs | FRU#    | CRU Tier |
|--------------------------------------|---------|----------|
| US/UK/AP/TH (models B2G D2G D3Q)     | 43C1390 | 1        |
| FR/CF (models B2G D2G)               | 43C1391 | 1        |
| GR (models B2G D2G)                  | 43C1392 | 1        |
| SP/LA (models B2G D2G)               | 43C1393 | 1        |
| IT (models B2G D2G)                  | 43C1395 | 1        |
| NO (models B2G D2G)                  | 43C1397 | 1        |
| SV (models B2G D2G)                  | 43C1398 | 1        |

| 8795 Vista Business 32 Recovery DVDs | FRU#    | CRU Tier |
|--------------------------------------|---------|----------|
| DK (models B2G D2G)                  | 43C1399 | 1        |
| NL (models B2G D2G)                  | 43C1400 | 1        |
| CZ (models B2G D2G)                  | 43C1401 | 1        |
| FI (models B2G D2G)                  | 43C1402 | 1        |
| PL (models B2G D2G)                  | 43C1403 | 1        |
| RU (models B2G D2G)                  | 43C1404 | 1        |
| TR (models B2G D2G)                  | 43C1405 | 1        |
| HU (models B2G D2G)                  | 43C1406 | 1        |
| GK (models B2G D2G)                  | 43C1407 | 1        |
| PO (models B2G D2G)                  | 43C1408 | 1        |
| SL (models B2G D2G)                  | 43C1413 | 1        |
| RE (models B2G D2G)                  | 43C1414 | 1        |

## Machine Type 8796



| Item # | 8796 FRUs   | FRU#    | CRU Tier | RoHS? |
|--------|---|---------|----------|-------|
| 1      | Cover (all models)  | 41R6220 | 1        | Y     |
| 2      | Power Supply 275 Watt active PFC-WW, China, JAPAN (models CTO 91G 91C 92C)          | 41A9640 | 2        | Y     |
| 2      | Power Supply (225 Watt) (models CTO 91G)  | 41A9629 | 2        | Y     |
| 2      | Power Supply - China (225 Watt) (models 91C 92C B4V B5C B6C)                        | 41A9635 | 2        | Y     |
| 2      | Power Supply - Japan (225 Watt) (models CTO-A)                                      | 41A9632 | 2        | Y     |
| 3      | DVD-ROM 16X/48X - Black-NON/VISTA (models CTO B4V B5C B6C)                          | 41N3325 | 1        | Y     |
| 3      | CD-RW/DVD-ROM Combo Drive 48X/32X/48X/16X Max---nonvista/vista (models CTO 92C)     | 42Y9353 | 1        | Y     |
| 3      | DVD-ROM/CD-RW Combo Drive - 48x/32x/48x/16x - SATA (models CTO)                     | 42Y6325 | 1        | Y     |
| 3      | DVD-RW/CD-RW Rambo 7 - SATA (models CTO)  | 42Y6374 | 1        | Y     |
| 3      | DVD-RW/CD-RW Rambo 7 - SATA (models CTO)  | 42Y6373 | 1        | Y     |
| 3      | DVD Recorder Rambo 8 - SATA (models CTO)  | 43C1042 | 1        | Y     |
| 4      | Hard Disk Drive 80GB 7200 rpm Serial ATA (models CTO B5C B6C)                       | 40Y9034 | 1        | Y     |
| 4      | Hard Disk Drive 80GB 7200 rpm Serial ATA (models CTO B5C B6C)                       | 40Y8761 | 1        | Y     |
| 4      | Hard Disk Drive 160GB 7200 rpm Serial ATA (models CTO 92C B4V)                      | 40Y9035 | 1        | Y     |
| 4      | Hard Disk Drive 160GB 7200 rpm Serial ATA (models CTO 92C B4V)                      | 40Y8762 | 1        | Y     |
| 4      | Hard Disk Drive 250GB 7200 rpm Serial ATA (models CTO 91G 91C)                      | 40Y9036 | 1        | Y     |
| 4      | Hard Disk Drive 250GB 7200 rpm Serial ATA (models CTO 91G 91C)                      | 40Y8763 | 1        | Y     |
| 4      | Hard Disk Drive 500GB 7200 rpm Serial ATA (models CTO)                              | 41X5582 | 1        | Y     |
| 5      | Rotating bay assembly (all models)  | 03R0285 | 2        | Y     |
| 6      | Plastic bezel kit (models)  | 41A7718 | 1        | Y     |
| 7      | Slim Diskette Drive, 1.44 MB 3 mode (without FDD cable and bezel ) (models CTO B4V) | 40Y9109 | 1        | Y     |
| 7      | Slim Diskette Drive, 1.44 MB 3 mode (without FDD cable and bezel ) (models CTO B4V) | 40Y9111 | 1        | Y     |
| 8      | Heat Sink, (all models)   | 41A7705 | 2        | Y     |
| 9      | Microprocessor, Pentium 4 3.06 GHz 533 FSB 1MB L2 (models CTO)                      | 41T4104 | N        | Y     |
| 9      | Microprocessor, Pentium 4 3.0 GHz 800 FSB 1MB L2 (models CTO)                       | 41T1701 | N        | Y     |
| 9      | Microprocessor, Pentium 4 3.2 GHz 800 FSB 1MB L2 (models CTO)                       | 41T1702 | N        | Y     |
| 9      | Microprocessor, Pentium 4 3.0 GHz 800 FSB 2MB L2 (models CTO)                       | 41T1712 | N        | Y     |
| 9      | Microprocessor, Pentium 4 3.2 GHz 800 FSB 2MB L2 (models CTO)                       | 41T1713 | N        | Y     |
| 9      | Microprocessor, Pentium 4 3.4 GHz 800 FSB 2MB L2 (models CTO)                       | 41T1714 | N        | Y     |
| 9      | Microprocessor, Pentium 4 3.6 GHz 800 FSB 2MB L2 (models CTO)                       | 41T1715 | N        | Y     |
| 9      | Microprocessor, Pentium D 2.8 GHz 800 FSB 1MB L2 (models CTO)                       | 41T1704 | N        | Y     |
| 9      | Microprocessor, Pentium D 2.8 GHz 800 FSB 2MB L2 (models CTO)                       | 41X7775 | N        | Y     |
| 9      | Microprocessor, Pentium D 3.0 GHz 800 FSB 2Mx2 L2 (models CTO 92C)                  | 41X2413 | N        | Y     |
| 9      | Microprocessor, Pentium D 3.0 GHz 800 FSB 2Mx2 L2 (models CTO)                      | 41T1717 | N        | Y     |
| 9      | Microprocessor, Pentium D 3.2 GHz 800 FSB 2Mx2 L2 (models CTO)                      | 41X8050 | N        | Y     |
| 9      | Microprocessor, Pentium D 3.4 GHz 800 FSB 2Mx2 L2 (models CTO)                      | 41X7776 | N        | Y     |

| Item # | 8796 FRUs   | FRU#    | CRU Tier | RoHS? |
|--------|---|---------|----------|-------|
| 9      | Microprocessor, Pentium E2140 800/1600MHZ-1M, LGA, EM64T (models CTO B4V B5C)             | 43C1967 | N        | Y     |
| 9      | Microprocessor, Pentium E2160 800/1800MHZ-1M, LGA, EM64T (models CTO B6C)                 | 43C1968 | N        | Y     |
| 9      | Microprocessor, Pentium CONROE-L E2180 2.0GHz 800MHz FSB, 1M, EM64T (models)              | 45C1773 | N        | Y     |
| 9      | Microprocessor, Pentium CONROE-L E2220 2.4GHz 800MHz FSB, 1M, EM64T (models)              | 45C1774 | N        | Y     |
| 9      | Microprocessor, Core 2 Duo E4500 Processor 2.2GHz 800MHz FSB 2M (models)                  | 43C6305 | N        | Y     |
| 9      | Microprocessor, Core 2 Duo E6300 Processor 1.86GHz 1066MHz FSB 2M L2 (models CTO 91G 91C) | 41X2495 | N        | Y     |
| 9      | Microprocessor, Core 2 Duo E6320 1.86GHz 1066MHz FSB 4M B2 (models CTO)                   | 43C3829 | N        | Y     |
| 9      | Microprocessor, Core 2 Duo E6400 Processor 2.13GHz 1066MHz FSB 2M L2 (models CTO)         | 41X2496 | N        | Y     |
| 9      | Microprocessor, Core 2 Duo E6420 Processor 2.13GHz 1066MHz FSB 4M B2 (models CTO)         | 43C3831 | N        | Y     |
| 9      | Microprocessor, Conroe E6600 Processor 2.40GHz 1066MHz FSB 4M L2 (models CTO)             | 41X5743 | N        | Y     |
| 9      | Microprocessor, Conroe E6700 Processor 2.67GHz 1066MHz FSB 4M L2 (models CTO)             | 41X5744 | N        | Y     |
| 9      | Microprocessor, Celeron D 2.66GHz 533MHz FSB 256KB L2 (models CTO)                        | 41T1694 | N        | Y     |
| 9      | Microprocessor, Celeron D 2.80GHz 533MHz FSB 256KB L2 (models CTO)                        | 41T1695 | N        | Y     |
| 9      | Microprocessor, Celeron D 3.06GHz 533MHz FSB 256KB L2 (models CTO)                        | 41T1697 | N        | Y     |
| 9      | Microprocessor, Celeron D 3.06GHz 533MHz FSB 512KB L2 (models CTO)                        | 42Y8530 | N        | Y     |
| 9      | Microprocessor, Celeron D 3.20GHz 533MHz FSB 256KB L2 (models CTO)                        | 41T1698 | N        | Y     |
| 9      | Microprocessor, Celeron D 3.20GHz 533MHz FSB 512KB L2 (models CTO)                        | 41T4966 | N        | Y     |
| 9      | Microprocessor, Celeron D 3.33GHz 533MHz FSB 512KB L2 (models CTO)                        | 41T4968 | N        | Y     |
| 9      | Microprocessor, Celeron 420 800/1600MHZ-512K,LGA,EM64T A1 (models CTO)                    | 43C3835 | N        | Y     |
| 9      | Microprocessor, Celeron 430 800/1800MHZ-512K,LGA,EM64T A1 (models CTO)                    | 43C1964 | N        | Y     |
| 9      | Microprocessor, Celeron 440 800/1800MHZ-512K,LGA,EM64T A1 (models CTO)                    | 43C1965 | N        | Y     |
| 9      | Microprocessor, Core 2 Duo E4300 1.8GHz 800MHz FSB 2M L2 (models CTO)                     | 42Y8009 | N        | Y     |
| 9      | Microprocessor, Core 2 Duo E4400 2.0GHz 800MHz FSB 2M L2 (models CTO)                     | 43C2056 | N        | Y     |
| 10     | System Board (models CTO 92C B4V B5C B6C)   | 43C7177 | 2        | Y     |
| 10     | System Board (models CTO 91G 92C)   | 43C7176 | 2        | Y     |
| 10     | System Board IV - Bristol GF V3.1(ASUS)(SIT-RR) (models)                                  | 41T1435 | 2        | Y     |
| 10     | System Board IV - Bristol IAMT V3.3(ASUS)(SIT-RR) (models)                                | 41T1431 | 2        | Y     |
| 10     | System Board IV - Bristol IAMT V3.3(GIGA)(GA)(No 820CPU issue) (models)                   | 45C2305 | 2        | Y     |



| Item # | 8796 FRUs   | FRU#     | CRU Tier | RoHS? |
|--------|---|----------|----------|-------|
| 11     | Memory - 512MB DDR2 SDRAM NP Memory (PC 4200) (models CTO)      | 30R5121  | 1        | Y     |
| 11     | Memory - 512MB DDR2 SDRAM NP Memory (PC 4200) (models CTO)      | 41X4251  | 1        | Y     |
| 11     | Memory - 1GB DDR2 SDRAM NP Memory (PC 4200) (models CTO)        | 30R5122  | 1        | Y     |
| 11     | Memory - 2GB DDR2 SDRAM NP Memory (PC 4200) (models CTO)        | 30R5123  | 1        | Y     |
| 11     | Memory - 512MB DDR2 SDRAM NP (PC 5300) (models CTO B4V B5C B6C) | 30R5125  | 1        | Y     |
| 11     | Memory - 1GB DDR2 SDRAM NP (PC 5300) (models CTO 91G 91C 92C)   | 30R5126  | 1        | Y     |
| 11     | Memory - 1GB DDR2 SDRAM NP (PC 5300) (models CTO 91G 91C 92C)   | 41X4252  | 1        | Y     |
| 11     | Memory - 2GB DDR2 SDRAM NP (PC 5300) (models CTO)               | 30R5127  | 1        | Y     |
| 11     | Memory - 512MB DDR2 SDRAM NP (PC 6400) (models CTO)             | 41X1079  | 1        | Y     |
| 11     | Memory - 1GB DDR2 SDRAM NP (PC 6400) (models CTO)               | 41X1080  | 1        | Y     |
| 11     | Memory - 2GB DDR2 SDRAM NP (PC 6400) (models CTO)               | 41X1081  | 1        | Y     |
| 12     | Riser card assembly (all models)                                | 241A7730 | 1        | Y     |
| 13     | Speaker/cable assembly (all models)                             | 39K5012  | 1        | Y     |
| 14     | Chassis (all models)  | 41A7717  | 2        | Y     |

The FRUs listed in the following table are not illustrated.

| 8796 FRUs   | FRU#    | CRU Tier | RoHS? |
|---|---------|----------|-------|
| Hard disk drive tray (all models)                                     | 03R0302 | 2        | Y     |
| Floor stand and vertical deflector (all models)                       | 74P0404 | 2        | Y     |
| Cable, SATA 18" (all models)  | 26K1186 | 1        | Y     |
| Cable, second serial port, 250mm HP (all models)                      | 42Y8007 | 1        | Y     |
| Cable, SATA Device (all models)                                       | 39K5026 | 1        | Y     |
| C2 Cable (Squall) (models)  | 39K5022 | 1        | Y     |
| Cable, PWR/LED (all models)   | 26K1242 | 1        | Y     |
| Cable, Diskette Drive (all models)                                    | 26K1248 | 1        | Y     |
| Fan assembly (all models)   | 26K1253 | 2        | Y     |
| Universal Adapter Bracket 5.25 to 3.5-inch (all models)               | 32P4743 | 1        | Y     |
| Retention module, tool less heat sink (all models)                    | 26K1281 | 2        | Y     |
| Shield, system board (all models)                                     | 41A7719 | 2        | Y     |
| Latch bar on cover (all models)                                       | 41R6188 | 2        | Y     |
| Internal Plastic Kit (does not include tl hardfile tray) (all models) | 26K1234 | 2        | Y     |

| 8796 Keyboards (USB Preferred - without hub) | FRU#    | CRU Tier | RoHS? |
|--|---------|----------|-------|
| US English (models 92C)                      | 41A5289 | 1        | Y     |
| Chinese/US (models B4V B5C B6C)              | 41A5296 | 1        | Y     |

| <b>8796 (IBM Preferred Pro USB, Stealth black)</b> | <b>FRU#</b> | <b>CRU Tier</b> | <b>RoHS?</b> |
|--|-------------|-----------------|--------------|
| US English (models 92C)                            | 89P9040     | 1               | Y            |

| <b>8796 Keyboards (Fingerprint Reader USB)</b> | <b>FRU#</b> | <b>CRU Tier</b> | <b>RoHS?</b> |
|--|-------------|-----------------|--------------|
| US English (models 91G 91C)                    | 41A5248     | 1               | Y            |
| Arabic (models 91G)                            | 41A5249     | 1               | Y            |
| Arabic/French (models 91G)                     | 41A5250     | 1               | Y            |
| Belgian/French (models 91G)                    | 41A5251     | 1               | Y            |
| Belgian/UK (models 91G)                        | 41A5252     | 1               | Y            |
| Bulgarian (models 91G)                         | 41A5254     | 1               | Y            |
| Czech (models 91G)                             | 41A5256     | 1               | Y            |
| Danish (models 91G)                            | 41A5257     | 1               | Y            |
| Dutch (models 91G)                             | 41A5258     | 1               | Y            |
| French (models 91G)                            | 41A5259     | 1               | Y            |
| German (models 91G)                            | 41A5262     | 1               | Y            |
| Greek (models 91G)                             | 41A5263     | 1               | Y            |
| Greek/US (models 91G)                          | 41A5264     | 1               | Y            |
| Hebrew (models 91G)                            | 41A5265     | 1               | Y            |
| Hungarian (models 91G)                         | 41A5266     | 1               | Y            |
| Iceland (models 91G)                           | 41A5267     | 1               | Y            |
| Italian 141 (models 91G)                       | 41A5268     | 1               | Y            |
| Norwegian (models 91G)                         | 41A5272     | 1               | Y            |
| Polish (models 91G)                            | 41A5273     | 1               | Y            |
| Portuguese (models 91G)                        | 41A5274     | 1               | Y            |
| Romanian 096 (models 91G)                      | 41A5275     | 1               | Y            |
| Romanian 446 (models 91G)                      | 41A5276     | 1               | Y            |
| Russian/Cyrillic (models 91G)                  | 41A5277     | 1               | Y            |
| Serbian/Cyrillic (models 91G)                  | 41A5278     | 1               | Y            |
| Slovak (models 91G)                            | 41A5279     | 1               | Y            |
| Spanish (models 91G)                           | 41A5280     | 1               | Y            |
| Swedish/Finn (models 91G)                      | 41A5281     | 1               | Y            |
| Swiss (models 91G)                             | 41A5282     | 1               | Y            |
| Turkish 440 (models 91G)                       | 41A5284     | 1               | Y            |
| Turkish 179 (models 91G)                       | 41A5285     | 1               | Y            |
| UK English (models 91G)                        | 41A5286     | 1               | Y            |
| US Euro (models 91G)                           | 41A5287     | 1               | Y            |
| Slovenian (models 91G)                         | 41A5288     | 1               | Y            |

| <b>8796 Keyboards (IBM Fingerprint Reader)</b> | <b>FRU#</b> | <b>CRU Tier</b> | <b>RoHS?</b> |
|--|-------------|-----------------|--------------|
| US English (models 91G 91C)                    | 89P9000     | 1               | Y            |

| <b>8796 Keyboards (IBM Fingerprint Reader)</b> | <b>FRU#</b> | <b>CRU Tier</b> | <b>RoHS?</b> |
|--|-------------|-----------------|--------------|
| Arabic (models 91G)                            | 89P9001     | 1               | Y            |
| Arabic/French (models 91G)                     | 89P9002     | 1               | Y            |
| Belgian/French (models 91G)                    | 89P9003     | 1               | Y            |
| Belgian/UK (models 91G)                        | 89P9004     | 1               | Y            |
| Bulgarian (models 91G)                         | 89P9006     | 1               | Y            |
| Czech (models 91G)                             | 89P9008     | 1               | Y            |
| Danish (models 91G)                            | 89P9009     | 1               | Y            |
| Dutch (models 91G)                             | 89P9010     | 1               | Y            |
| French (models 91G)                            | 89P9011     | 1               | Y            |
| German (models 91G)                            | 89P9014     | 1               | Y            |
| Greek (models 91G)                             | 89P9015     | 1               | Y            |
| Hebrew (models 91G)                            | 89P9016     | 1               | Y            |
| Hungarian (models 91G)                         | 89P9017     | 1               | Y            |
| Iceland (models 91G)                           | 89P9018     | 1               | Y            |
| Italian 141 (models 91G)                       | 89P9019     | 1               | Y            |
| Norwegian (models 91G)                         | 89P9023     | 1               | Y            |
| Polish (models 91G)                            | 89P9024     | 1               | Y            |
| Portuguese (models 91G)                        | 89P9025     | 1               | Y            |
| Romanian 446 (models 91G)                      | 89P9026     | 1               | Y            |
| Romanian 096 (models 91G)                      | 89P9027     | 1               | Y            |
| Russian/Cyrillic (models 91G)                  | 89P9028     | 1               | Y            |
| Serbian/Cyrillic (models 91G)                  | 89P9029     | 1               | Y            |
| Slovak (models 91G)                            | 89P9030     | 1               | Y            |
| Spanish (models 91G)                           | 89P9031     | 1               | Y            |
| Swedish/Finn (models 91G)                      | 89P9032     | 1               | Y            |
| Swiss (models 91G)                             | 89P9033     | 1               | Y            |
| Turkish 440 (models 91G)                       | 89P9035     | 1               | Y            |
| Turkish 179 (models 91G)                       | 89P9036     | 1               | Y            |
| UK English (models 91G)                        | 89P9037     | 1               | Y            |
| US Euro (models 91G)                           | 89P9038     | 1               | Y            |
| Yugoslavin/Latin (models 91G)                  | 89P9039     | 1               | Y            |

| <b>8796 Mice</b>                                      | <b>FRU#</b> | <b>CRU Tier</b> | <b>RoHS?</b> |
|---|-------------|-----------------|--------------|
| Mouse, Optical Wheel (400DPI, USB) (all models)       | 41U3013     | 1               | Y            |
| Mouse, Optical Wheel (400DPI, USB) (all models)       | 41U3030     | 1               | Y            |
| Mouse, ScrollPoint Optical (800DPI, USB) (models CTO) | 41U3019     | 1               | Y            |

| <b>8796 Wireless I/O</b>       | <b>FRU#</b> | <b>CRU Tier</b> | <b>RoHS?</b> |
|--------------------------------|-------------|-----------------|--------------|
| Wireless Keyboard (models CTO) | 41A5219     | 1               | Y            |

| 8796 Wireless I/O              | FRU#    | CRU Tier | RoHS? |
|--------------------------------|---------|----------|-------|
| Wireless Mouse (models CTO)    | 41A5247 | 1        | Y     |
| Transceiver (USB) (models CTO) | 41A5246 | 1        | Y     |

| 8796 Adapters and miscellaneous FRUs                                 | FRU#    | CRU Tier | RoHS? |
|--|---------|----------|-------|
| PCI-E DVI-DConnection Adapter (Full Height) (models CTO 91G 91C 92C) | 39J9334 | 1        | Y     |
| IEEE 1394 Firewire Adapter - full height (models CTO)                | 41D2781 | 1        | Y     |
| Speakers, Lenovo Branded (models CTO)                                | 41A5334 | 1        | Y     |
| Thermal grease syringe (all models)                                  | 91P8835 | 1        | Y     |

| 8796 Power Cords   | FRU#    | CRU Tier | RoHS? |
|--|---------|----------|-------|
| Power cord - US (models CTO-U)   | 39M5080 | 1        | Y     |
| Power cord - China (models CTO-A 91C 92C B5C B6C)                              | 39M5205 | 1        | Y     |
| Power cord - Japan (models CTO-A)  | 39M5193 | 1        | Y     |
| Power cord - Brazil (models CTO-L)   | 39M5232 | 1        | Y     |
| Power cord - LA High Volt (APU) (models CTO-L)                                 | 39M5067 | 1        | Y     |
| Power cord - Australia/New Zealand (models CTO-A)                              | 39M5102 | 1        | Y     |
| Power cord - Korea (models CTO-A)  | 39M5212 | 1        | Y     |
| Power cord - Hong Kong (models CTO-A)  | 39M5151 | 1        | Y     |
| Power cord - UK, Ireland, Singapore, Malaysia, Brunei (models CTO-G CTO-A 91G) | 39M5150 | 1        | Y     |
| Power cord - Taiwan (models CTO-A B4V)   | 39M5246 | 1        | Y     |
| Power cord - Italy/Chile (models CTO-G91G)                                     | 39M5164 | 1        | Y     |
| Power cord - G models (models CTO-G CTO-A 91G)                                 | 39M5122 | 1        | Y     |
| Power cord - Denmark (models CTO-G 91G)  | 39M5129 | 1        | Y     |
| Power cord - Switzerland (models CTO-G 91G)                                    | 39M5157 | 1        | Y     |
| Power cord - Israel (models CTO-G 91G)   | 39M5171 | 1        | Y     |
| Power cord - South Africa (models CTO-G 91G)                                   | 39M5143 | 1        | Y     |
| Power cord - India (models CTO-A)  | 39M5004 | 1        | Y     |

| 8796 Windows XP Pro Recovery CDs | FRU#    | CRU Tier | RoHS? |
|----------------------------------|---------|----------|-------|
| US/UK/AP/TH (models 91G)         | 42Y3236 | 1        | Y     |
| RE (models 91G)                  | 42Y5464 | 1        | Y     |
| FR/CF (models 91G)               | 42Y4449 | 1        | Y     |
| GR (models 91G)                  | 42Y4450 | 1        | Y     |
| SP/LA (models 91G)               | 42Y4451 | 1        | Y     |
| IT (models 91G)                  | 42Y4452 | 1        | Y     |
| SV (models 91G)                  | 42Y4454 | 1        | Y     |
| DK (models 91G)                  | 42Y4455 | 1        | Y     |

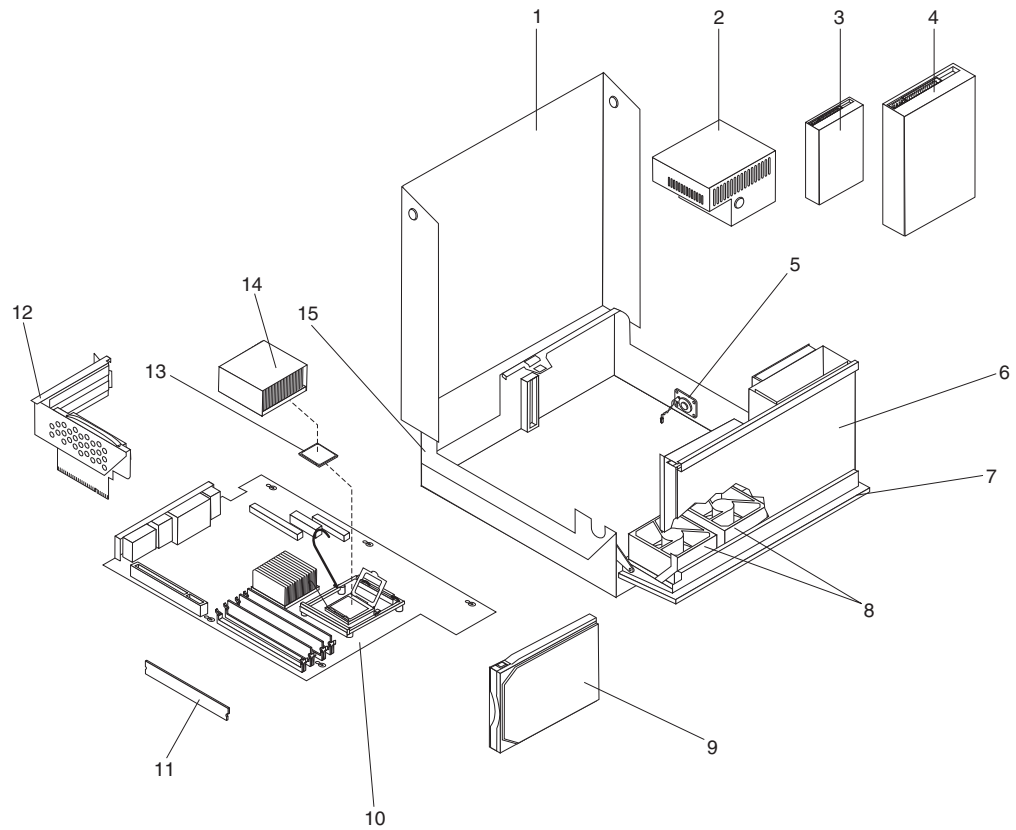
| 8796 Windows XP Pro Recovery CDs                  | FRU#    | CRU Tier | RoHS? |
|---|---------|----------|-------|
| FI (models 91G)                                   | 42Y5465 | 1        | Y     |
| NO (models 91G)                                   | 42Y5466 | 1        | Y     |
| NL (models 91G)                                   | 42Y5467 | 1        | Y     |
| Simplified Chinese (models 91C 92C)               | 42T8627 | 1        | Y     |
| Taiwan-TC (models B4V)                            | 42T8633 | 1        | Y     |
| HE (models 91G)                                   | 42Y5468 | 1        | Y     |
| PL (models 91G)                                   | 42Y5469 | 1        | Y     |
| CZ (models 91G)                                   | 42Y5470 | 1        | Y     |
| AE (models 91G)                                   | 42Y5471 | 1        | Y     |
| RU (models 91G)                                   | 42Y5472 | 1        | Y     |
| TR (models 91G)                                   | 42Y5473 | 1        | Y     |
| HU (models 91G)                                   | 42Y5474 | 1        | Y     |
| PO (models 91G)                                   | 42Y5475 | 1        | Y     |
| GK (models 91G)                                   | 42Y5476 | 1        | Y     |
| SL (models 91G)                                   | 42Y5477 | 1        | Y     |
| Multilingual 1 -- EN, NL, FR, GR, IT (models 91G) | 42Y4533 | 1        | Y     |
| Multilingual 2 -- EN, DK, FI, NO, SV (models 91G) | 42Y5626 | 1        | Y     |

| 8796 Vista Home Basic 32 Recovery DVDs | FRU#    | CRU Tier |
|--|---------|----------|
| US/UK/AP/TH (models)                   | 43C1440 | 1        |
| FR/CF (models)                         | 43C1441 | 1        |
| GR (models)                            | 43C1442 | 1        |
| SP/LA (models)                         | 43C1443 | 1        |
| BR (models)                            | 43C1444 | 1        |
| IT (models)                            | 43C1445 | 1        |
| JP (models)                            | 43C1446 | 1        |
| NO (models)                            | 43C1447 | 1        |
| SV (models)                            | 43C1448 | 1        |
| DK (models)                            | 43C1449 | 1        |
| NL (models)                            | 43C1450 | 1        |
| CZ (models)                            | 43C1451 | 1        |
| FI (models)                            | 43C1452 | 1        |
| PL (models)                            | 43C1453 | 1        |
| RU (models)                            | 43C1454 | 1        |
| TR (models)                            | 43C1455 | 1        |
| HU (models)                            | 43C1456 | 1        |
| GK (models)                            | 43C1457 | 1        |
| PO (models)                            | 43C1458 | 1        |
| CS (models)                            | 43C1459 | 1        |
| TW (models)                            | 43C1460 | 1        |

| 8796 Vista Home Basic 32 Recovery DVDs | FRU#    | CRU Tier |
|--|---------|----------|
| HK (models)                            | 43C1461 | 1        |
| KR (models)                            | 43C1462 | 1        |
| SL (models)                            | 43C1463 | 1        |
| RE (models)                            | 43C1464 | 1        |

| 8796 Vista Business 32 Recovery DVDs | FRU#    | CRU Tier |
|--------------------------------------|---------|----------|
| US/UK/AP/TH (models)                 | 43C1390 | 1        |
| FR/CF (models)                       | 43C1391 | 1        |
| GR (models)                          | 43C1392 | 1        |
| SP/LA (models)                       | 43C1393 | 1        |
| BR (models)                          | 43C1394 | 1        |
| IT (models)                          | 43C1395 | 1        |
| JP (models)                          | 43C1396 | 1        |
| NO (models)                          | 43C1397 | 1        |
| SV (models)                          | 43C1398 | 1        |
| DK (models)                          | 43C1399 | 1        |
| NL (models)                          | 43C1400 | 1        |
| CZ (models)                          | 43C1401 | 1        |
| FI (models)                          | 43C1402 | 1        |
| PL (models)                          | 43C1403 | 1        |
| RU (models)                          | 43C1404 | 1        |
| TR (models)                          | 43C1405 | 1        |
| HU (models)                          | 43C1406 | 1        |
| GK (models)                          | 43C1407 | 1        |
| PO (models)                          | 43C1408 | 1        |
| CS (models)                          | 43C1409 | 1        |
| TW (models B4V)                      | 43C1410 | 1        |
| HK (models)                          | 43C1411 | 1        |
| KR (models)                          | 43C1412 | 1        |
| SL (models)                          | 43C1413 | 1        |
| RE (models)                          | 43C1414 | 1        |

# Machine Type 8797



| Item # | 8797 FRUs   | FRU#    | CRU Tier | RoHS? |
|--------|---|---------|----------|-------|
| 1      | Top cover (all models)  | 41R4835 | 2        | Y     |
| 2      | Power Supply, 275 active PFC-WW, China, JAPAN (models CTO)                  | 41A9640 | 2        | Y     |
| 2      | Power Supply (225 Watt) (models CTO 91G)                                    | 41N3432 | 2        | Y     |
| 2      | Power Supply - China (225 Watt) (models CTO-A)                              | 41N3436 | 2        | Y     |
| 2      | Power Supply - Japan (225 Watt) (models CTO-A)                              | 41N3441 | 2        | Y     |
| 3      | Diskette drive, 3.5" 1.44MB 2-mode (models CTO)                             | 40Y9107 | 1        | Y     |
| 3      | Diskette drive, 3.5" 1.44MB 2-mode (models CTO)                             | 40Y9105 | 1        | Y     |
| 4      | DVD-ROM 16X/48X - Black (models CTO)  | 41N3325 | 1        | Y     |
| 4      | CD-RW/DVD-ROM Combo Drive 48X/32X/48X/16X Max (models CTO)                  | 41N3253 | 1        | Y     |
| 4      | CD-RW/DVD-ROM Combo Drive 48X/32X/48X/16X Max---nonvista/vista (models CTO) | 42Y9353 | 1        | Y     |
| 4      | DVD-RW/CD-RW Rambo 7 - SATA (models CTO 91G)                                | 42Y6374 | 1        | Y     |
| 4      | DVD-RW/CD-RW Rambo 7 - SATA (models CTO 91G)                                | 42Y6373 | 1        | Y     |
| 4      | DVD Recorder Rambo 8 - SATA (models CTO)                                    | 43C1042 | 1        | Y     |
| 5      | Speaker/cable assembly (all models)   | 39K5012 | 1        | Y     |
| 6      | Rotating cage assembly (all models)   | 41N5324 | 2        | Y     |
| 7      | Bezel Kit (all models)  | 41N5322 | 1        | Y     |
| 8      | Front fan and bracket assembly (all models)                                 | 39M0585 | 2        | Y     |

| Item # | 8797 FRUs  | FRU#    | CRU Tier | RoHS? |
|--------|--|---------|----------|-------|
| 9      | Hard Disk Drive 80GB 7200 rpm Serial ATA (models CTO)                        | 40Y9034 | 1        | Y     |
| 9      | Hard Disk Drive 80GB 7200 rpm Serial ATA (models CTO)                        | 40Y8761 | 1        | Y     |
| 9      | Hard Disk Drive 160GB 7200 rpm Serial ATA (models CTO)                       | 40Y9035 | 1        | Y     |
| 9      | Hard Disk Drive 160GB 7200 rpm Serial ATA (models CTO)                       | 40Y8762 | 1        | Y     |
| 9      | Hard Disk Drive 250GB 7200 rpm Serial ATA (models CTO 91G)                   | 40Y9036 | 1        | Y     |
| 9      | Hard Disk Drive 250GB 7200 rpm Serial ATA (models CTO 91G)                   | 40Y8763 | 1        | Y     |
| 9      | Hard Disk Drive 500GB 7200 rpm Serial ATA (models CTO)                       | 41X5582 | 1        | Y     |
| 10     | System Board (models CTO 91G)  | 43C7180 | 2        | Y     |
| 10     | System Board (models CTO 91G)  | 45C0083 | 2        | Y     |
| 11     | Memory - 512MB DDR2 SDRAM NP Memory (PC 4200) (models CTO)                   | 30R5121 | 1        | Y     |
| 11     | Memory - 512MB DDR2 SDRAM NP Memory (PC 4200) (models CTO)                   | 41X4251 | 1        | Y     |
| 11     | Memory - 1GB DDR2 SDRAM NP Memory (PC 4200) (models CTO)                     | 30R5122 | 1        | Y     |
| 11     | Memory - 2GB DDR2 SDRAM NP Memory (PC 4200) (models CTO)                     | 30R5123 | 1        | Y     |
| 11     | Memory - 512MB DDR2 SDRAM NP (PC 5300) (models CTO)                          | 30R5125 | 1        | Y     |
| 11     | Memory - 1GB DDR2 SDRAM NP (PC 5300) (models CTO 91G)                        | 41X4252 | 1        | Y     |
| 11     | Memory - 1GB DDR2 SDRAM NP (PC 5300) (models CTO 91G)                        | 30R5126 | 1        | Y     |
| 11     | Memory - 2GB DDR2 SDRAM NP (PC 5300) (models CTO)                            | 30R5127 | 1        | Y     |
| 11     | Memory - 512MB DDR2 SDRAM NP (PC 6400) (models CTO)                          | 41X1079 | 1        | Y     |
| 11     | Memory - 1GB DDR2 SDRAM NP (PC 6400) (models CTO)                            | 41X1080 | 1        | Y     |
| 11     | Memory - 2GB DDR2 SDRAM NP (PC 6400) (models CTO)                            | 41X1081 | 1        | Y     |
| 12     | Riser card and bracket assembly (all models)                                 | 39M0587 | 1        | Y     |
| 13     | Microprocessor, Pentium 4 3.06 GHz 533 FSB 1MB L2 (models CTO)               | 41T4104 | N        | Y     |
| 13     | Microprocessor, Pentium 4 3.0 GHz 800 FSB 1MB L2 (models CTO)                | 41T1701 | N        | Y     |
| 13     | Microprocessor, Pentium 4 3.2 GHz 800 FSB 1MB L2 (models CTO)                | 41T1702 | N        | Y     |
| 13     | Microprocessor, Pentium 4 3.0 GHz 800 FSB 2MB L2 (models CTO)                | 41T1712 | N        | Y     |
| 13     | Microprocessor, Pentium 4 3.2 GHz 800 FSB 2MB L2 (models CTO)                | 41T1713 | N        | Y     |
| 13     | Microprocessor, Pentium 4 3.4 GHz 800 FSB 2MB L2 (models CTO)                | 41T1714 | N        | Y     |
| 13     | Microprocessor, Pentium 4 3.6 GHz 800 FSB 2MB L2 (models CTO)                | 41T1715 | N        | Y     |
| 13     | Microprocessor, Pentium D 2.8 GHz 800 FSB 1MB L2 (models CTO)                | 41T1704 | N        | Y     |
| 13     | Microprocessor, Pentium D 2.8 GHz 800 FSB 2MB L2 (models CTO)                | 41X7775 | N        | Y     |
| 13     | Microprocessor, Pentium D 3.0 GHz 800 FSB 2Mx2 L2 (models CTO)               | 41X2413 | N        | Y     |
| 13     | Microprocessor, Pentium D 3.0 GHz 800 FSB 2Mx2 L2 (models CTO)               | 41T1717 | N        | Y     |
| 13     | Microprocessor, Pentium D 3.2 GHz 800 FSB 2Mx2 L2 (models CTO)               | 41X8050 | N        | Y     |
| 13     | Microprocessor, Pentium D 3.4 GHz 800 FSB 2Mx2 L2 (models CTO)               | 41X7776 | N        | Y     |
| 13     | Microprocessor, Pentium E2140 800/1600MHZ-1M, LGA, EM64T (models CTO)        | 43C1967 | N        | Y     |
| 13     | Microprocessor, Pentium E2160 800/1800MHZ-1M, LGA, EM64T (models CTO)        | 43C1968 | N        | Y     |
| 13     | Microprocessor, Pentium CONROE-L E2180 2.0GHz 800MHz FSB, 1M, EM64T (models) | 45C1773 | N        | Y     |



| Item # | 8797 FRUs   | FRU#    | CRU Tier | RoHS? |
|--------|---|---------|----------|-------|
| 13     | Microprocessor, Pentium CONROE-L E2220 2.4GHz 800MHz FSB, 1M, EM64T (models)          | 45C1774 | N        | Y     |
| 13     | Microprocessor, Core 2 Duo E4500 Processor 2.2GHz 800MHz FSB 2M (models)              | 43C6305 | N        | Y     |
| 13     | Microprocessor, Core 2 Duo E6300 Processor 1.86GHz 1066MHz FSB 2M L2 (models CTO 91G) | 41X2495 | N        | Y     |
| 13     | Microprocessor, Core 2 Duo E6320 1.86GHz 1066MHz FSB 4M B2 (models CTO)               | 43C3829 | N        | Y     |
| 13     | Microprocessor, Core 2 Duo E6400 Processor 2.13GHz 1066MHz FSB 2M L2 (models CTO)     | 41X2496 | N        | Y     |
| 13     | Microprocessor, Core 2 Duo E6420 Processor 2.13GHz 1066MHz FSB 4M B2 (models CTO)     | 43C3831 | N        | Y     |
| 13     | Microprocessor, Celeron D 2.66GHz 533MHz FSB 256KB L2 (models CTO)                    | 41T1694 | N        | Y     |
| 13     | Microprocessor, Celeron D 2.80GHz 533MHz FSB 256KB L2 (models CTO)                    | 41T1695 | N        | Y     |
| 13     | Microprocessor, Celeron D 2.93GHz 533MHz FSB 256KB L2 (models CTO)                    | 41T1696 | N        | Y     |
| 13     | Microprocessor, Celeron D 3.06GHz 533MHz FSB 256KB L2 (models CTO)                    | 41T1697 | N        | Y     |
| 13     | Microprocessor, Celeron D 3.06GHz 533MHz FSB 512KB L2 (models CTO)                    | 42Y8530 | N        | Y     |
| 13     | Microprocessor, Celeron D 3.20GHz 533MHz FSB 256KB L2 (models CTO)                    | 41T1698 | N        | Y     |
| 13     | Microprocessor, Celeron D 3.20GHz 533MHz FSB 512KB L2 (models CTO)                    | 41T4966 | N        | Y     |
| 13     | Microprocessor, Celeron D 3.33GHz 533MHz FSB 512KB L2 (models CTO)                    | 41T4968 | N        | Y     |
| 13     | Microprocessor, Celeron 420 800/1600MHZ-512K,LGA,EM64T A1 (models CTO)                | 43C3835 | N        | Y     |
| 13     | Microprocessor, Celeron 430 800/1800MHZ-512K,LGA,EM64T A1 (models CTO)                | 43C1964 | N        | Y     |
| 13     | Microprocessor, Celeron 440 800/1800MHZ-512K,LGA,EM64T A1 (models CTO)                | 43C1965 | N        | Y     |
| 13     | Microprocessor, Core 2 Duo E4300 1.8GHz 800MHz FSB 2M L2 (models CTO)                 | 42Y8009 | N        | Y     |
| 13     | Microprocessor, Core 2 Duo E4400 2.0GHz 800MHz FSB 2M L2 (models CTO)                 | 43C2056 | N        | Y     |
| 14     | Heat Sink and Retention Module kit (all models)                                       | 41A7713 | 2        | Y     |
| 15     | Mechanical base (all models)  | 41R4841 | 2        | Y     |

The FRUs listed in the following table are not illustrated.

| 8797 FRUs                                     | FRU#    | CRU Tier | RoHS? |
|---|---------|----------|-------|
| Hard disk drive bracket assembly (all models) | 39M0578 | 1        | Y     |
| Power switch/LED cable assembly (all models)  | 39M0580 | 2        | Y     |
| SATA cable assembly (all models)              | 39K0526 | 1        | Y     |
| Optical cable, 1 drop (all models)            | 39M0584 | 1        | Y     |
| Intrusion switch cable (all models)           | 39K5022 | 1        | Y     |
| Vertical stand (all models)                   | 39M0589 | 1        | Y     |
| Bezel assembly, optical rotating (all models) | 39M0592 | 2        | Y     |

| 8797 FRUs   | FRU#    | CRU Tier | RoHS? |
|---|---------|----------|-------|
| EMC Shield kit (diskette drive and optical bays) (all models)           | 41N5325 | 1        | Y     |
| EMC Shield, system board (all models)                                   | 41N5326 | 1        | Y     |
| Cable asm, diskette drive (all models)                                  | 41N8269 | 1        | Y     |
| Thermal sense cable (460 mm) (all models)                               | 41R2509 | 1        | Y     |
| AC-DC converter, ADP, internal enclosed assembly, 275WATTS (all models) | 41A9640 | 1        | Y     |
| Universal Adapter Bracket 5.25 to 3.5-inch (all models)                 | 32P4743 | 1        | Y     |

| 8797 Keyboards (Fingerprint Reader USB) | FRU#    | CRU Tier | RoHS? |
|---|---------|----------|-------|
| US English (models 91G)                 | 41A5248 | 1        | Y     |
| Arabic (models 91G)                     | 41A5249 | 1        | Y     |
| Arabic/French (models 91G)              | 41A5250 | 1        | Y     |
| Belgian/French (models 91G)             | 41A5251 | 1        | Y     |
| Belgian/UK (models 91G)                 | 41A5252 | 1        | Y     |
| Bulgarian (models 91G)                  | 41A5254 | 1        | Y     |
| Czech (models 91G)                      | 41A5256 | 1        | Y     |
| Danish (models 91G)                     | 41A5257 | 1        | Y     |
| Dutch (models 91G)                      | 41A5258 | 1        | Y     |
| French (models 91G)                     | 41A5259 | 1        | Y     |
| German (models 91G)                     | 41A5262 | 1        | Y     |
| Greek (models 91G)                      | 41A5263 | 1        | Y     |
| Greek/US (models 91G)                   | 41A5264 | 1        | Y     |
| Hebrew (models 91G)                     | 41A5265 | 1        | Y     |
| Hungarian (models 91G)                  | 41A5266 | 1        | Y     |
| Iceland (models 91G)                    | 41A5267 | 1        | Y     |
| Italian 141 (models 91G)                | 41A5268 | 1        | Y     |
| Norwegian (models 91G)                  | 41A5272 | 1        | Y     |
| Polish (models 91G)                     | 41A5273 | 1        | Y     |
| Portuguese (models 91G)                 | 41A5274 | 1        | Y     |
| Romanian 096 (models 91G)               | 41A5275 | 1        | Y     |
| Romanian 446 (models 91G)               | 41A5276 | 1        | Y     |
| Russian/Cyrillic (models 91G)           | 41A5277 | 1        | Y     |
| Serbian/Cyrillic (models 91G)           | 41A5278 | 1        | Y     |
| Slovak (models 91G)                     | 41A5279 | 1        | Y     |
| Spanish (models 91G)                    | 41A5280 | 1        | Y     |
| Swedish/Finn (models 91G)               | 41A5281 | 1        | Y     |
| Swiss (models 91G)                      | 41A5282 | 1        | Y     |
| Turkish 440 (models 91G)                | 41A5284 | 1        | Y     |
| Turkish 179 (models 91G)                | 41A5285 | 1        | Y     |
| UK English (models 91G)                 | 41A5286 | 1        | Y     |

| <b>8797 Keyboards (Fingerprint Reader USB)</b> | <b>FRU#</b> | <b>CRU Tier</b> | <b>RoHS?</b> |
|--|-------------|-----------------|--------------|
| US Euro (models 91G)                           | 41A5287     | 1               | Y            |
| Slovenian (models 91G)                         | 41A5288     | 1               | Y            |

| <b>8797 Mice</b>                                      | <b>FRU#</b> | <b>CRU Tier</b> | <b>RoHS?</b> |
|---|-------------|-----------------|--------------|
| Mouse, Optical Wheel (400DPI, USB) (models CTO 91G)   | 41U3013     | 1               | Y            |
| Mouse, Optical Wheel (400DPI, USB) (models CTO 91G)   | 41U3030     | 1               | Y            |
| Mouse, ScrollPoint Optical (800DPI, USB) (models CTO) | 41U3019     | 1               | Y            |

| <b>8797 Wireless I/O</b>       | <b>FRU#</b> | <b>CRU Tier</b> | <b>RoHS?</b> |
|--------------------------------|-------------|-----------------|--------------|
| Wireless Keyboard (models CTO) | 41A5219     | 1               | Y            |
| Wireless Mouse (models CTO)    | 41A5247     | 1               | Y            |
| Transceiver (USB) (models CTO) | 41A5246     | 1               | Y            |

| <b>8797 Adapters and miscellaneous FRUs</b>                                 | <b>FRU#</b> | <b>CRU Tier</b> | <b>RoHS?</b> |
|---|-------------|-----------------|--------------|
| 128MB DDR ATI Radeon x300SE (DMS59 connector) (models CTO)                  | 39J9635     | 1               | Y            |
| PCI-E DVI-DConnection Adapter (Full Height) (models CTO 91G)                | 39J9334     | 1               | Y            |
| Nvidia GeForce 7300LE 128MB 64bit ATX/LP w/S-Video, no DVI (models CTO)     | 41X2669     | 1               | Y            |
| IEEE 1394 Firewire Adapter - full height (models CTO)                       | 41D2781     | 1               | Y            |
| Speakers, (2-piece) (Lenovo logo) (models CTO)                              | 41A5331     | 1               | Y            |
| Speakers, Lenovo Branded (models CTO)                                       | 41A5334     | 1               | Y            |
| Speaker Power brick - US, Canada, LA low voltage, ASEAN (models CTO)        | 89P8571     | 1               | Y            |
| Speaker Power brick - LA high voltage (non-APU) (models CTO)                | 89P8575     | 1               | Y            |
| Speaker Power brick - China, Thailand (models CTO)                          | 89P8581     | 1               | Y            |
| Speaker Power brick - Japan (models CTO)                                    | 89P8577     | 1               | Y            |
| Speaker Power brick - Brazil (models CTO)                                   | 89P8583     | 1               | Y            |
| Speaker Power brick - Argentina (models CTO)                                | 41A4901     | 1               | Y            |
| Speaker Power brick - ANZ (models CTO)                                      | 89P8579     | 1               | Y            |
| Speaker Power brick - Korea (models CTO)                                    | 41A4903     | 1               | Y            |
| Speaker Brick - Hong Kong, EMEA (models CTO)                                | 89P8573     | 1               | Y            |
| Speaker Power brick - Taiwan (models CTO)                                   | 41A4905     | 1               | Y            |
| Speaker Power brick - India, South Africa (models CTO)                      | 89P8585     | 1               | Y            |
| Thermal grease syringe (all models)   | 91P8835     | 1               | Y            |
| Nvidia GeForce 7300LE 128MB 64bit ATX/LP w/S-Video, with DMS59 (models CTO) | 42Y8165     | 1               | Y            |
| ATI X1300LE 256M 64bit LP/ATX with DMS59 (models CTO)                       | 42Y8162     | 1               | Y            |
| Dongle DMS Dule DMS-59 to dual VGA cable (models CTO)                       | 42Y8181     | 1               | Y            |
| Dongle DMS Dule DMS-59 to single VGA and DVI cable (models CTO)             | 42Y8183     | 1               | Y            |
| Dongle DMS Dule DMS-59 to dual DVI - I cable (models CTO)                   | 41X6398     | 1               | Y            |

| <b>8797 Power Cords</b>  | <b>FRU#</b> | <b>CRU Tier</b> | <b>RoHS?</b> |
|--|-------------|-----------------|--------------|
| Power cord - US (models CTO-U)   | 39M5080     | 1               | Y            |
| Power cord - China (models CTO-A)  | 39M5205     | 1               | Y            |
| Power cord - Japan (models CTO-A)  | 39M5193     | 1               | Y            |
| Power cord - Brazil (models CTO-L)   | 39M5232     | 1               | Y            |
| Power cord - LA High Volt (APU) (models CTO-L)                                 | 39M5067     | 1               | Y            |
| Power cord - Australia/New Zealand (models CTO-A)                              | 39M5102     | 1               | Y            |
| Power cord - Korea (models CTO-A)  | 39M5212     | 1               | Y            |
| Power cord - Hong Kong (models CTO-A)  | 39M5151     | 1               | Y            |
| Power cord - UK, Ireland, Singapore, Malaysia, Brunei (models CTO-G CTO-A 91G) | 39M5150     | 1               | Y            |
| Power cord - Taiwan (models CTO-A)   | 39M5246     | 1               | Y            |
| Power cord - Italy/Chile (models CTO-G 91G)                                    | 39M5164     | 1               | Y            |
| Power cord - G models (models CTO-G CTO-A 91G)                                 | 39M5122     | 1               | Y            |
| Power cord - Denmark (models CTO-G 91G)  | 39M5129     | 1               | Y            |
| Power cord - Switzerland (models CTO-G 91G)                                    | 39M5157     | 1               | Y            |
| Power cord - Israel (models CTO-G 91G)   | 39M5171     | 1               | Y            |
| Power cord - South Africa (models CTO-G 91G)                                   | 39M5143     | 1               | Y            |
| Power cord - India (models CTO-A)  | 39M5004     | 1               | Y            |

| <b>8797 Windows XP Pro Recovery CDs</b> | <b>FRU#</b> | <b>CRU Tier</b> | <b>RoHS?</b> |
|---|-------------|-----------------|--------------|
| US/UK/AP/TH (models 91G)                | 42Y3236     | 1               | Y            |
| RE (models 91G)                         | 42Y5464     | 1               | Y            |
| FR/CF (models 91G)                      | 42Y4449     | 1               | Y            |
| GR (models 91G)                         | 42Y4450     | 1               | Y            |
| SP/LA (models 91G)                      | 42Y4451     | 1               | Y            |
| IT (models 91G)                         | 42Y4452     | 1               | Y            |
| SV (models 91G)                         | 42Y4454     | 1               | Y            |
| DK (models 91G)                         | 42Y4455     | 1               | Y            |
| FI (models 91G)                         | 42Y5465     | 1               | Y            |
| NO (models 91G)                         | 42Y5466     | 1               | Y            |
| NL (models 91G)                         | 42Y5467     | 1               | Y            |
| HE (models 91G)                         | 42Y5468     | 1               | Y            |
| PL (models 91G)                         | 42Y5469     | 1               | Y            |
| CZ (models 91G)                         | 42Y5470     | 1               | Y            |
| AE (models 91G)                         | 42Y5471     | 1               | Y            |
| RU (models 91G)                         | 42Y5472     | 1               | Y            |
| TR (models 91G)                         | 42Y5473     | 1               | Y            |
| HU (models 91G)                         | 42Y5474     | 1               | Y            |
| PO (models 91G)                         | 42Y5475     | 1               | Y            |
| GK (models 91G)                         | 42Y5476     | 1               | Y            |

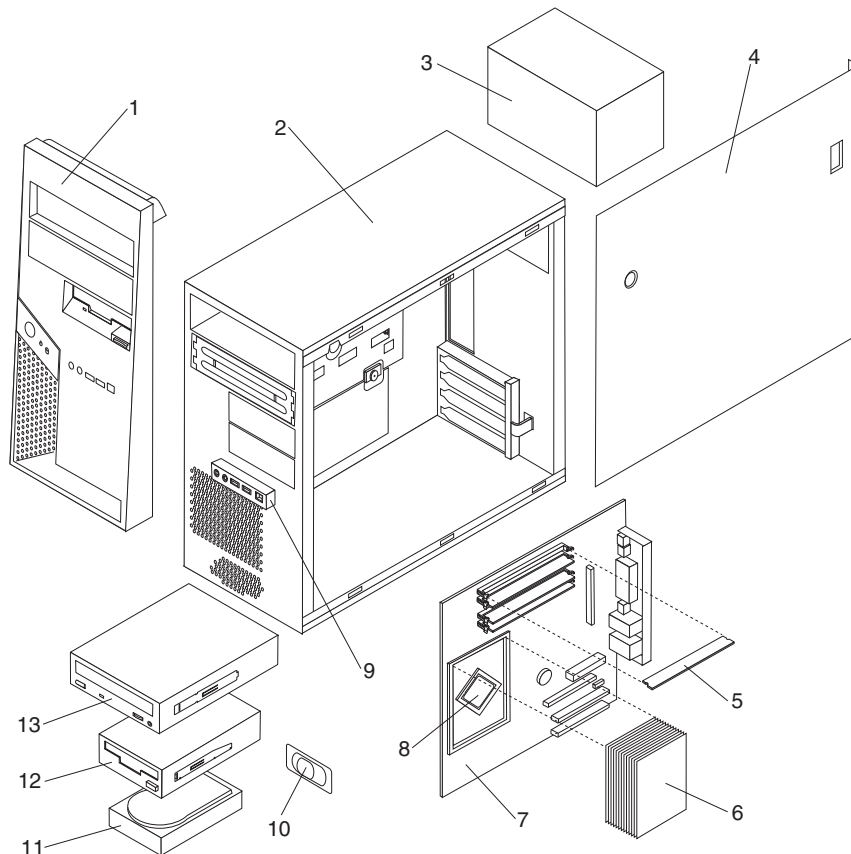
| <b>8797 Windows XP Pro Recovery CDs</b>           | <b>FRU#</b> | <b>CRU Tier</b> | <b>RoHS?</b> |
|---|-------------|-----------------|--------------|
| SL (models 91G)                                   | 42Y5477     | 1               | Y            |
| Multilingual 1 -- EN, NL, FR, GR, IT (models 91G) | 42Y4533     | 1               | Y            |
| Multilingual 2 -- EN, DK, FI, NO, SV (models 91G) | 42Y5626     | 1               | Y            |

| <b>8797 Vista Home Basic 32 Recovery DVDs</b> | <b>FRU#</b> | <b>CRU Tier</b> |
|---|-------------|-----------------|
| US/UK/AP/TH (models)                          | 43C1440     | 1               |
| FR/CF (models)                                | 43C1441     | 1               |
| GR (models)                                   | 43C1442     | 1               |
| SP/LA (models)                                | 43C1443     | 1               |
| BR (models)                                   | 43C1444     | 1               |
| IT (models)                                   | 43C1445     | 1               |
| JP (models)                                   | 43C1446     | 1               |
| NO (models)                                   | 43C1447     | 1               |
| SV (models)                                   | 43C1448     | 1               |
| DK (models)                                   | 43C1449     | 1               |
| NL (models)                                   | 43C1450     | 1               |
| CZ (models)                                   | 43C1451     | 1               |
| FI (models)                                   | 43C1452     | 1               |
| PL (models)                                   | 43C1453     | 1               |
| RU (models)                                   | 43C1454     | 1               |
| TR (models)                                   | 43C1455     | 1               |
| HU (models)                                   | 43C1456     | 1               |
| GK (models)                                   | 43C1457     | 1               |
| PO (models)                                   | 43C1458     | 1               |
| CS (models)                                   | 43C1459     | 1               |
| TW (models)                                   | 43C1460     | 1               |
| HK (models)                                   | 43C1461     | 1               |
| KR (models)                                   | 43C1462     | 1               |
| SL (models)                                   | 43C1463     | 1               |
| RE (models)                                   | 43C1464     | 1               |

| <b>8797 Vista Business 32 Recovery DVDs</b> | <b>FRU#</b> | <b>CRU Tier</b> |
|---|-------------|-----------------|
| US/UK/AP/TH (models)                        | 43C1390     | 1               |
| FR/CF (models)                              | 43C1391     | 1               |
| GR (models)                                 | 43C1392     | 1               |
| SP/LA (models)                              | 43C1393     | 1               |
| BR (models)                                 | 43C1394     | 1               |
| IT (models)                                 | 43C1395     | 1               |
| JP (models)                                 | 43C1396     | 1               |
| NO (models)                                 | 43C1397     | 1               |

| 8797 Vista Business 32 Recovery DVDs | FRU#    | CRU Tier |
|--------------------------------------|---------|----------|
| SV (models)                          | 43C1398 | 1        |
| DK (models)                          | 43C1399 | 1        |
| NL (models)                          | 43C1400 | 1        |
| CZ (models)                          | 43C1401 | 1        |
| FI (models)                          | 43C1402 | 1        |
| PL (models)                          | 43C1403 | 1        |
| RU (models)                          | 43C1404 | 1        |
| TR (models)                          | 43C1405 | 1        |
| HU (models)                          | 43C1406 | 1        |
| GK (models)                          | 43C1407 | 1        |
| PO (models)                          | 43C1408 | 1        |
| CS (models)                          | 43C1409 | 1        |
| TW (models)                          | 43C1410 | 1        |
| HK (models)                          | 43C1411 | 1        |
| KR (models)                          | 43C1412 | 1        |
| SL (models)                          | 43C1413 | 1        |
| RE (models)                          | 43C1414 | 1        |

## Machine Type 8798



| Item # | 8798 FRUs   | FRU#    | CRU Tier | RoHS? |
|--------|---|---------|----------|-------|
| 1      | Bezel Asm (all models)  | 41A7857 | 1        | Y     |
| 2      | Chassis Asm (all models)  | 41A7863 | N        | Y     |
| 3      | Power supply, 310 W, standard (models CTO 91G A1G D9G)  | 41N3449 | 2        | Y     |
| 3      | Power supply, 310 W, China (models CTO-A 92S 92P 92L 92D 92Y D1S D1P D1L D1D D1Y E1S E1P E1L E1D E1Y 92Q 93S 93Y D3S D3Y D4S D4Y E2S E2Y E3S E3Y 94C 95C D8V D7C)   | 41N3452 | 2        | Y     |
| 3      | Power supply, 310 W, Japan (models CTO-A)   | 41N3456 | 2        | Y     |
| 4      | Cover (all models)  | 39M0465 | 1        | Y     |
| 5      | Memory - 512MB DDR2 SDRAM NP Memory (PC 4200) (models CTO)  | 30R5121 | 1        | Y     |
| 5      | Memory - 512MB DDR2 SDRAM NP Memory (PC 4200) (models CTO)  | 41X4251 | 1        | Y     |
| 5      | Memory - 1GB DDR2 SDRAM NP Memory (PC 4200) (models CTO)  | 30R5122 | 1        | Y     |
| 5      | Memory - 2GB DDR2 SDRAM NP Memory (PC 4200) (models CTO)  | 30R5123 | 1        | Y     |
| 5      | Memory - 512MB DDR2 SDRAM NP (PC 5300) (models CTO 92S 92P 92L 92D 92Y D1S D1P D1L D1D D1Y E1S E1P E1L E1D E1Y 92Q 93S 93Y D3S D3Y E2S E2Y E3S E3Y 94C 95C D8V D7C) | 30R5125 | 1        | Y     |
| 5      | Memory - 1GB DDR2 SDRAM NP (PC 5300) (models CTO 91G D4S D4Y A1G D9G)   | 30R5126 | 1        | Y     |
| 5      | Memory - 1GB DDR2 SDRAM NP (PC 5300) (models CTO 91G D4S D4Y A1G D9G)   | 41X4252 | 1        | Y     |
| 5      | Memory - 2GB DDR2 SDRAM NP (PC 5300) (models CTO)   | 30R5127 | 1        | Y     |
| 5      | Memory - 512MB DDR2 SDRAM NP (PC 6400) (models CTO)   | 41X1079 | 1        | Y     |
| 5      | Memory - 1GB DDR2 SDRAM NP (PC 6400) (models CTO)   | 41X1080 | 1        | Y     |
| 5      | Memory - 2GB DDR2 SDRAM NP (PC 6400) (models CTO)   | 41X1081 | 1        | Y     |
| 6      | Heat sink, aluminum (all models)  | 41A7855 | 2        | Y     |
| 7      | System board (G), (models CTO 91G 92S 92P 92L 92D 92Y D1S D1P D1L D1D D1Y E1S E1P E1L E1D E1Y 92Q 93S 93Y D3S D3Y D4S D4Y E2S E2Y E3S E3Y D9G)                      | 43C7178 | N        | Y     |
| 7      | System board (AMT), (models CTO 91G 92S 92P 92L 92D 92Y D1S D1P D1L D1D D1Y E1S E1P E1L E1D E1Y 92Q 93S 93Y D3S D3Y D4S D4Y E2S E2Y E3S E3Y D9G)                    | 43C7179 | N        | Y     |
| 8      | Microprocessor, Pentium 4 3.06 GHz 533 FSB 1MB L2 (models CTO)  | 41T4104 | N        | Y     |
| 8      | Microprocessor, Pentium 4 3.0 GHz 800 FSB 1MB L2 (models CTO)   | 41T1701 | N        | Y     |
| 8      | Microprocessor, Pentium 4 3.2 GHz 800 FSB 1MB L2 (models CTO)   | 41T1702 | N        | Y     |
| 8      | Microprocessor, Pentium 4 3.0 GHz 800 FSB 2MB L2 (models CTO)   | 41T1712 | N        | Y     |
| 8      | Microprocessor, Pentium 4 3.2 GHz 800 FSB 2MB L2 (models CTO)   | 41T1713 | N        | Y     |
| 8      | Microprocessor, Pentium 4 3.4 GHz 800 FSB 2MB L2 (models CTO)   | 41T1714 | N        | Y     |
| 8      | Microprocessor, Pentium 4 3.6 GHz 800 FSB 2MB L2 (models CTO)   | 41T1715 | N        | Y     |
| 8      | Microprocessor, Pentium D 2.8 GHz 800 FSB 1MB L2 (models CTO)   | 41T1704 | N        | Y     |
| 8      | Microprocessor, Pentium D 2.8 GHz 800 FSB 2MB L2 (models CTO)   | 41X7775 | N        | Y     |
| 8      | Microprocessor, Pentium D 3.0 GHz 800 FSB 2Mx2 L2 (models CTO A1G)  | 41X2413 | N        | Y     |
| 8      | Microprocessor, Pentium D 3.0 GHz 800 FSB 2Mx2 L2 (models CTO)  | 41T1717 | N        | Y     |
| 8      | Microprocessor, Pentium D 3.2 GHz 800 FSB 2Mx2 L2 (models CTO)  | 41X8050 | N        | Y     |
| 8      | Microprocessor, Pentium D 3.4 GHz 800 FSB 2Mx2 L2 (models CTO)  | 41X7776 | N        | Y     |

| Item # | 8798 FRUs   | FRU#    | CRU Tier | RoHS? |
|--------|---|---------|----------|-------|
| 8      | Microprocessor, Pentium E2140 800/1600MHZ-1M, LGA, EM64T (models CTO)   | 43C1967 | N        | Y     |
| 8      | Microprocessor, Pentium E2160 800/1800MHZ-1M, LGA, EM64T (models CTO D8V D7C)   | 43C1968 | N        | Y     |
| 8      | Microprocessor, Pentium CONROE-L E2180 2.0GHz 800MHz FSB, 1M, EM64T (models)  | 45C1773 | N        | Y     |
| 8      | Microprocessor, Pentium CONROE-L E2220 2.4GHz 800MHz FSB, 1M, EM64T (models)  | 45C1774 | N        | Y     |
| 8      | Microprocessor, Core 2 Duo E4500 Processor 2.2GHz 800MHz FSB 2M (models)  | 43C6305 | N        | Y     |
| 8      | Microprocessor, Core 2 Duo E6300 Processor 1.86GHz 1066MHz FSB 2M L2 (models CTO 91G 92S 92P 92L 92D 92Y 92Q 93S 93Y 94C)       | 41X2495 | N        | Y     |
| 8      | Microprocessor, Core 2 Duo E6320 1.86GHz 1066MHz FSB 4M B2 (models CTO D9G)   | 43C3829 | N        | Y     |
| 8      | Microprocessor, Core 2 Duo E6400 Processor 2.13GHz 1066MHz FSB 2M L2 (models CTO D1S D1P D1L D1D D1Y D3S D3Y D4S D4Y)           | 41X2496 | N        | Y     |
| 8      | Microprocessor, Core 2 Duo E6420 Processor 2.13GHz 1066MHz FSB 4M B2 (models CTO)   | 43C3831 | N        | Y     |
| 8      | Microprocessor, Conroe E6600 Processor 2.40GHz 1066MHz FSB 4M L2 (models CTO E1S E1P E1L E1D E1Y E2S E2Y E3S E3Y)               | 41X5743 | N        | Y     |
| 8      | Microprocessor, Conroe E6700 Processor 2.67GHz 1066MHz FSB 4M L2 (models CTO)   | 41X5744 | N        | Y     |
| 8      | Microprocessor, Celeron D 2.66GHz 533MHz FSB 256KB L2 (models CTO)  | 41T1694 | N        | Y     |
| 8      | Microprocessor, Celeron D 2.80GHz 533MHz FSB 256KB L2 (models CTO)  | 41T1695 | N        | Y     |
| 8      | Microprocessor, Celeron D 3.06GHz 533MHz FSB 256KB L2 (models CTO)  | 41T1697 | N        | Y     |
| 8      | Microprocessor, Celeron D 3.06GHz 533MHz FSB 512KB L2 (models CTO)  | 42Y8530 | N        | Y     |
| 8      | Microprocessor, Celeron D 3.20GHz 533MHz FSB 256KB L2 (models CTO)  | 41T1698 | N        | Y     |
| 8      | Microprocessor, Celeron D 3.20GHz 533MHz FSB 512KB L2 (models CTO)  | 41T4966 | N        | Y     |
| 8      | Microprocessor, Celeron D 3.33GHz 533MHz FSB 512KB L2 (models CTO)  | 41T4968 | N        | Y     |
| 8      | Microprocessor, Celeron 420 800/1600MHZ-512K,LGA,EM64T A1 (models CTO)  | 43C3835 | N        | Y     |
| 8      | Microprocessor, Celeron 430 800/1800MHZ-512K,LGA,EM64T A1 (models CTO)  | 43C1964 | N        | Y     |
| 8      | Microprocessor, Celeron 440 800/1800MHZ-512K,LGA,EM64T A1 (models CTO)  | 43C1965 | N        | Y     |
| 8      | Microprocessor, Core 2 Duo E4300 1.8GHz 800MHz FSB 2M L2 (models CTO 95C)   | 42Y8009 | N        | Y     |
| 8      | Microprocessor, Core 2 Duo E4400 2.0GHz 800MHz FSB 2M L2 (models CTO)   | 43C2056 | N        | Y     |
| 9      | Front panel card Asm (all models)   | 41A7864 | 2        | Y     |
| 10     | Speaker Asm, Soldered Terminals (all models)  | 39P5023 | 2        | Y     |
| 11     | Hard disk drive, 80GB, 7200RPM, Serial ATA (models CTO 92S 92P 92L 92D 92Y D1S D1P D1L D1D D1Y 92Q 93S 93Y E2S E2Y 94C 95C D7C) | 40Y9034 | 1        | Y     |
| 11     | Hard disk drive, 80GB, 7200RPM, Serial ATA (models CTO 92S 92P 92L 92D 92Y D1S D1P D1L D1D D1Y 92Q 93S 93Y E2S E2Y 94C 95C D7C) | 40Y8761 | 1        | Y     |



| Item # | 8798 FRUs  | FRU#    | CRU Tier | RoHS? |
|--------|--|---------|----------|-------|
| 11     | Hard disk drive, 160GB, 7200RPM, Serial ATA (models CTO E1S E1P E1L E1D E1Y D3S D3Y E3S E3Y A1G D8V D9G)                     | 40Y9035 | 1        | Y     |
| 11     | Hard disk drive, 160GB, 7200RPM, Serial ATA (models CTO E1S E1P E1L E1D E1Y D3S D3Y E3S E3Y A1G D8V D9G)                     | 40Y8762 | 1        | Y     |
| 11     | Hard disk drive, 250GB, 7200RPM, Serial ATA (models CTO 91G D4S D4Y)   | 40Y9036 | 1        | Y     |
| 11     | Hard disk drive, 250GB, 7200RPM, Serial ATA (models CTO 91G D4S D4Y)   | 40Y8763 | 1        | Y     |
| 11     | Hard disk drive, 500GB, 7200RPM, Serial ATA (models CTO)   | 41X5582 | 1        | Y     |
| 12     | Diskette drive, 1.44MB, 3-mode, w/o bezel (models CTO D7C D8V)   | 40Y9107 | 1        | Y     |
| 12     | Diskette drive, 1.44MB, 3-mode, w/o bezel (models CTO D7C D8V)   | 40Y9105 | 1        | Y     |
| 13     | DVD-ROM 16X/48X - Black-NON/VISTA (models CTO 95C D7C D8V)   | 41N3325 | 1        | Y     |
| 13     | CD-RW/DVD-ROM Combo Drive 48X/32X/48X/16X Max----nonvista/vista (models CTO E1S E1P E1L E1D E1Y 93S 93Y D3S D3Y E3S E3Y A1G) | 42Y9353 | 1        | Y     |
| 13     | DVD-RW/CD-RW Rambo 7 - SATA (models CTO E1S E1P E1L E1D E1Y 93S 93Y D3S D3Y E3S E3Y A1G D9G)                                 | 41N3347 | 1        | Y     |
| 13     | DVD-RW/CD-RW Rambo 7 - SATA (models CTO 91G D4S D4Y)   | 42Y6374 | 1        | Y     |
| 13     | DVD-RW/CD-RW Rambo 7 - SATA (models CTO 91G D4S D4Y)   | 42Y6373 | 1        | Y     |
| 13     | DVD Recorder Rambo 8 - SATA (models CTO 91G D4S D4Y)   | 43C1042 | 1        | Y     |

The FRUs listed in the following table are not illustrated.

| 8798 FRUs   | FRU#    | CRU Tier | RoHS? |
|---|---------|----------|-------|
| Cable, C2 Switch (all models)                           | 39M0458 | 1        | Y     |
| Shield, 5.25 EMC (all models)                           | 39M0460 | 1        | Y     |
| Cable, SATA (18-inch RoHs) (all models)                 | 26K1186 | 1        | Y     |
| Hard disk drive mounting bracket (all models)           | 41R6367 | 1        | Y     |
| Cable, serial (all models)                              | 39K5021 | 1        | Y     |
| EMC shield, diskette drive (all models)                 | 39M0464 | 1        | Y     |
| Cable, diskette drive (RoHs) (all models)               | 26K1184 | 1        | Y     |
| Bezel asm, diskette drive, black (all models)           | 41A7806 | 1        | Y     |
| Fan duct Asm (all models)                               | 39M0470 | 1        | Y     |
| Device retaining clips (all models)                     | 39M0473 | 2        | Y     |
| Shield, system board (all models)                       | 41A7865 | N        | Y     |
| Miscellaneous hardware kit (all models)                 | 39M0477 | 1        | Y     |
| Cable, 1394 panel mount (all models)                    | 39M0478 | 1        | Y     |
| RM kit (all models)                                     | 39K5046 | N        | Y     |
| Cable, 2 Drop IDE (models CTO)                          | 39M0516 | 1        | Y     |
| Thermal sense cable (460 mm) (all models)               | 41R2509 | 2        | Y     |
| Miscellaneous screw kit (all models)                    | 41R2477 | 2        | Y     |
| Universal Adapter Bracket 5.25 to 3.5-inch (all models) | 32P4743 | 1        | Y     |

| 8798 Keyboards (USB Preferred - without hub)  | FRU#    | CRU Tier | RoHS? |
|---|---------|----------|-------|
| US English (models 92L D1L E1L 92Q A1G D9G)   | 41A5289 | 1        | Y     |
| China (models 94C 95C)  | TBD     | 1        | Y     |
| Arabic (models A1G D9G)   | 41A5290 | 1        | Y     |
| Arabic/French (models A1G D9G)  | 41A5291 | 1        | Y     |
| Belgian/French (models A1G D9G)   | 41A5292 | 1        | Y     |
| Belgian/UK (models A1G D9G)   | 41A5293 | 1        | Y     |
| Brazilian (models 92P D1P E1P)  | 41A5294 | 1        | Y     |
| Bulgarian (models A1G D9G)  | 41A5295 | 1        | Y     |
| Chinese/US (models D8V 94C 95C D7C)   | 41A5296 | 1        | Y     |
| Czech (models A1G D9G)  | 41A5297 | 1        | Y     |
| Danish (models A1G D9G)   | 41A5298 | 1        | Y     |
| Dutch (models A1G D9G)  | 41A5299 | 1        | Y     |
| French (models A1G D9G)   | 41A5300 | 1        | Y     |
| German (models A1G D9G)   | 41A5303 | 1        | Y     |
| Greek (models A1G D9G)  | 41A5304 | 1        | Y     |
| Greek/US (models A1G D9G)   | 41A5305 | 1        | Y     |
| Hebrew (models A1G D9G)   | 41A5306 | 1        | Y     |
| Hungarian (models A1G D9G)  | 41A5307 | 1        | Y     |
| Iceland (models A1G)  | 41A5308 | 1        | Y     |
| Italian 141 (models A1G D9G)  | 41A5309 | 1        | Y     |
| LA Spanish (models 92S 92D 92Y D1S D1D D1Y E1S E1D E1Y 93S 93Y D3S D3Y D4S D4Y E2S E2Y E3S E3Y) | 41A5312 | 1        | Y     |
| Norwegian (models A1G D9G)  | 41A5313 | 1        | Y     |
| Polish (models A1G D9G)   | 41A5314 | 1        | Y     |
| Portuguese (models A1G D9G)   | 41A5315 | 1        | Y     |
| Romanian 096 (models A1G D9G)   | 41A5317 | 1        | Y     |
| Romanian 446 (models A1G D9G)   | 41A5316 | 1        | Y     |
| Russian/Cyrillic (models A1G D9G)   | 41A5318 | 1        | Y     |
| Serbian/Cyrillic (models A1G D9G)   | 41A5319 | 1        | Y     |
| Slovak (models A1G D9G)   | 41A5320 | 1        | Y     |
| Spanish (models A1G D9G)  | 41A5321 | 1        | Y     |
| Swedish/Finn (models A1G D9G)   | 41A5322 | 1        | Y     |
| Swiss (models A1G D9G)  | 41A5323 | 1        | Y     |
| Turkish 440 (models A1G D9G)  | 41A5325 | 1        | Y     |
| Turkish 179 (models A1G D9G)  | 41A5326 | 1        | Y     |
| UK English (models A1G D9G)   | 41A5327 | 1        | Y     |
| US Euro (models A1G D9G)  | 41A5328 | 1        | Y     |
| Slovenian (models A1G D9G)  | 41A5329 | 1        | Y     |

| <b>8798 Keyboards (Fingerprint Reader USB)</b> | <b>FRU#</b> | <b>CRU Tier</b> | <b>RoHS?</b> |
|--|-------------|-----------------|--------------|
| US English (models 91G)                        | 41A5248     | 1               | Y            |
| Arabic (models 91G)                            | 41A5249     | 1               | Y            |
| Arabic/French (models 91G)                     | 41A5250     | 1               | Y            |
| Belgian/French (models 91G)                    | 41A5251     | 1               | Y            |
| Belgian/UK (models 91G)                        | 41A5252     | 1               | Y            |
| Bulgarian (models 91G)                         | 41A5254     | 1               | Y            |
| Czech (models 91G)                             | 41A5256     | 1               | Y            |
| Danish (models 91G)                            | 41A5257     | 1               | Y            |
| Dutch (models 91G)                             | 41A5258     | 1               | Y            |
| French (models 91G)                            | 41A5259     | 1               | Y            |
| German (models 91G)                            | 41A5262     | 1               | Y            |
| Greek (models 91G)                             | 41A5263     | 1               | Y            |
| Greek/US (models 91G)                          | 41A5264     | 1               | Y            |
| Hebrew (models 91G)                            | 41A5265     | 1               | Y            |
| Hungarian (models 91G)                         | 41A5266     | 1               | Y            |
| Iceland (models 91G)                           | 41A5267     | 1               | Y            |
| Italian 141 (models 91G)                       | 41A5268     | 1               | Y            |
| Norwegian (models 91G)                         | 41A5272     | 1               | Y            |
| Polish (models 91G)                            | 41A5273     | 1               | Y            |
| Portuguese (models 91G)                        | 41A5274     | 1               | Y            |
| Romanian 096 (models 91G)                      | 41A5275     | 1               | Y            |
| Romanian 446 (models 91G)                      | 41A5276     | 1               | Y            |
| Russian/Cyrillic (models 91G)                  | 41A5277     | 1               | Y            |
| Serbian/Cyrillic (models 91G)                  | 41A5278     | 1               | Y            |
| Slovak (models 91G)                            | 41A5279     | 1               | Y            |
| Spanish (models 91G)                           | 41A5280     | 1               | Y            |
| Swedish/Finn (models 91G)                      | 41A5281     | 1               | Y            |
| Swiss (models 91G)                             | 41A5282     | 1               | Y            |
| Turkish 440 (models 91G)                       | 41A5284     | 1               | Y            |
| Turkish 179 (models 91G)                       | 41A5285     | 1               | Y            |
| UK English (models 91G)                        | 41A5286     | 1               | Y            |
| US Euro (models 91G)                           | 41A5287     | 1               | Y            |
| Slovenian (models 91G)                         | 41A5288     | 1               | Y            |

| <b>8798 mice</b>                                      | <b>FRU#</b> | <b>CRU Tier</b> | <b>RoHS?</b> |
|---|-------------|-----------------|--------------|
| Mouse, Optical Wheel (400DPI, USB) (all models )      | 41U3013     | 1               | Y            |
| Mouse, Optical Wheel (400DPI, USB) (all models )      | 41U3030     | 1               | Y            |
| Mouse, ScrollPoint Optical (800DPI, USB) (models CTO) | 41U3019     | 1               | Y            |

| 8798 Wireless I/O              | FRU#    | CRU Tier | RoHS? |
|--------------------------------|---------|----------|-------|
| Wireless Keyboard (models CTO) | 41A5219 | 1        | Y     |
| Wireless Mouse (models CTO)    | 41A5247 | 1        | Y     |
| Transceiver (USB) (models CTO) | 41A5246 | 1        | Y     |

| 8798 Adapters and miscellaneous FRU   | FRU#    | CRU Tier | RoHS? |
|---|---------|----------|-------|
| 256MB PCIe x16, full height (models CTO)                                    | 41T2725 | 1        | Y     |
| 128MB DDR ATI Radeon x300SE (DMS59 connector) (models CTO)                  | 39J9635 | 1        | Y     |
| PCI-E DVI-DConnection Adapter (Full Height) (models CTO 91G A1G)            | 39J9334 | 1        | Y     |
| Nvidia GeForce 7300LE 128MB 64bit ATX/LP w/S-Video, no DVI (models CTO)     | 41X2669 | 1        | Y     |
| ATI Radeon X1300 256MB 128bit ATX VGA/S-Video/DVI (models CTO)              | 42Y8159 | 1        | Y     |
| IEEE 1394 Firewire Adapter - full height (models CTO D9G)                   | 41D2781 | 1        | Y     |
| Speakers, Lenovo Branded (models CTO)                                       | 41A5334 | 1        | Y     |
| Speaker Brick - Hong Kong, EMEA (models D9G)                                | 89P8573 | 1        | Y     |
| Thermal grease syringe (all models)   | 91P8835 | 1        | Y     |
| Nvidia GeForce 7300LE 128MB 64bit ATX/LP w/S-Video, with DMS59 (models CTO) | 42Y8165 | 1        | Y     |
| ATI X1300LE 256M 64bit LP/ATX with DMS59 (models CTO)                       | 42Y8162 | 1        | Y     |
| Dongle DMS Dule DMS-59 to dual VGA cable (models CTO)                       | 42Y8181 | 1        | Y     |
| Dongle DMS Dule DMS-59 to single VGA and DVI cable (models CTO)             | 42Y8183 | 1        | Y     |
| Dongle DMS Dule DMS-59 to dual DVI - I cable (models CTO)                   | 41X6398 | 1        | Y     |

| 8798 Power Cords  | FRU#    | CRU Tier | RoHS? |
|---|---------|----------|-------|
| Power cord - US (models CTO-U 92S 92L 92D D1S D1L D1D E1S E1L E1D)  | 39M5080 | 1        | Y     |
| Power cord - China (models CTO-A 94C 95C D7C)   | 39M5205 | 1        | Y     |
| Power cord - Japan (models CTO-U)   | 39M5193 | 1        | Y     |
| Power cord - Brazil (models CTO-L 92P D1P E1P)  | 39M5232 | 1        | Y     |
| Power cord - LA High Volt (APU) (models CTO-L 92L 92Y D1L D1Y E1L E1Y)  | 39M5067 | 1        | Y     |
| Power cord - Australia/New Zealand (models CTO-A)   | 39M5102 | 1        | Y     |
| Power cord - Korea (models CTO-A)   | 39M5212 | 1        | Y     |
| Power cord - Hong Kong (models CTO-A)   | 39M5151 | 1        | Y     |
| Power cord - UK, Ireland, Singapore, Malaysia, Brunei (models CTO-G CTO-A 91G A1G D9G)                                | 39M5150 | 1        | Y     |
| Power cord - Taiwan (models CTO-A D8V)  | 39M5246 | 1        | Y     |
| Power cord - Italy (models CTO-G 91G 92S 92L 92Y D1S D1L D1Y E1S E1L E1Y 93S 93Y D3S D3Y D4S D4Y E2S E2Y E3S E3Y A1G) | 39M5164 | 1        | Y     |
| Power cord - World Trade (models CTO-G CTO-A 91G A1G D9G)   | 39M5122 | 1        | Y     |
| Power cord - Denmark (models CTO-G 91G A1G D9G)   | 39M5129 | 1        | Y     |
| Power cord - Switzerland (models CTO-G 91G A1G D9G)   | 39M5157 | 1        | Y     |
| Power cord - Israel (models CTO-G 91G A1G D9G)  | 39M5171 | 1        | Y     |

| 8798 Power Cords                                     | FRU#    | CRU Tier | RoHS? |
|--|---------|----------|-------|
| Power cord - South Africa (models CTO-G 91G A1G D9G) | 39M5143 | 1        | Y     |
| Power cord - India (models CTO-A)                    | 39M5004 | 1        | Y     |

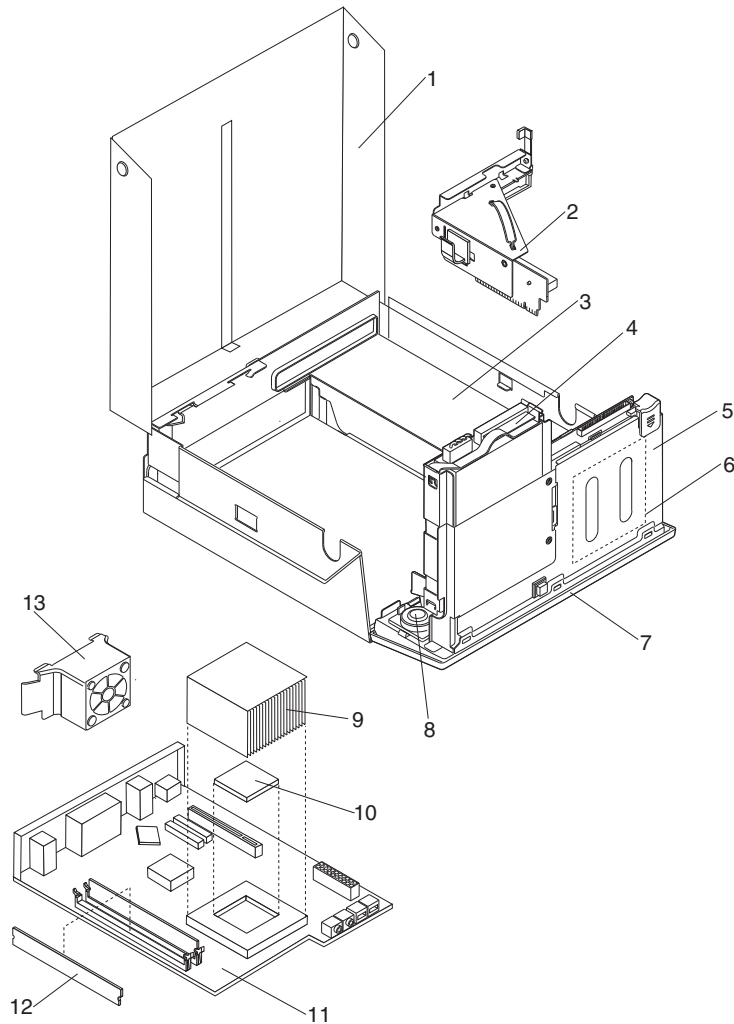
| 8798 Windows XP Pro Recovery CDs   | FRU#    | CRU Tier | RoHS? |
|--|---------|----------|-------|
| US/UK/AP/TH (models 91G 92L D1L E1L 92Q A1G D9G)   | 42Y3236 | 1        | Y     |
| RE (models 91G A1G D9G)  | 42Y5464 | 1        | Y     |
| FR/CF (models 91G A1G D9G)   | 42Y4449 | 1        | Y     |
| GR (models 91G A1G D9G)  | 42Y4450 | 1        | Y     |
| SP/LA (models 91G 92S 92D 92Y D1S D1D D1Y E1S E1D E1Y 93S 93Y D3S D3Y D4S D4Y E2S E2Y E3S E3Y A1G D9G) | 42Y4451 | 1        | Y     |
| IT (models 91G A1G)  | 42Y4452 | 1        | Y     |
| BR (models E1P)  | 42Y4453 | 1        | Y     |
| SV (models 91G A1G D9G)  | 42Y4454 | 1        | Y     |
| DK (models 91G A1G D9G)  | 42Y4455 | 1        | Y     |
| FI (models 91G A1G D9G)  | 42Y5465 | 1        | Y     |
| NO (models 91G A1G D9G)  | 42Y5466 | 1        | Y     |
| NL (models 91G A1G D9G)  | 42Y5467 | 1        | Y     |
| Taiwan-TC (models D8V)   | 42T8633 | 1        | Y     |
| HE (models 91G A1G D9G)  | 42Y5468 | 1        | Y     |
| PL (models 91G A1G D9G)  | 42Y5469 | 1        | Y     |
| CZ (models 91G A1G D9G)  | 42Y5470 | 1        | Y     |
| AE (models 91G A1G D9G)  | 42Y5471 | 1        | Y     |
| RU (models 91G A1G D9G)  | 42Y5472 | 1        | Y     |
| TR (models 91G A1G D9G)  | 42Y5473 | 1        | Y     |
| HU (models 91G A1G D9G)  | 42Y5474 | 1        | Y     |
| PO (models 91G A1G D9G)  | 42Y5475 | 1        | Y     |
| GK (models 91G A1G D9G)  | 42Y5476 | 1        | Y     |
| SL (models 91G A1G D9G)  | 42Y5477 | 1        | Y     |
| Multilingual 1 -- EN, NL, FR, GR, IT (models 91G A1G D9G)  | 42Y4533 | 1        | Y     |
| Multilingual 2 -- EN, DK, FI, NO, SV (models 91G A1G D9G)  | 42Y5626 | 1        | Y     |

| 8798 Vista Home Basic 32 Recovery DVDs | FRU#    | CRU Tier |
|--|---------|----------|
| US/UK/AP/TH (models)                   | 43C1440 | 1        |
| FR/CF (models)                         | 43C1441 | 1        |
| GR (models)                            | 43C1442 | 1        |
| SP/LA (models)                         | 43C1443 | 1        |
| BR (models)                            | 43C1444 | 1        |
| IT (models)                            | 43C1445 | 1        |
| JP (models)                            | 43C1446 | 1        |
| NO (models)                            | 43C1447 | 1        |

| 8798 Vista Home Basic 32 Recovery DVDs | FRU#    | CRU Tier |
|--|---------|----------|
| SV (models)                            | 43C1448 | 1        |
| DK (models)                            | 43C1449 | 1        |
| NL (models)                            | 43C1450 | 1        |
| CZ (models)                            | 43C1451 | 1        |
| FI (models)                            | 43C1452 | 1        |
| PL (models)                            | 43C1453 | 1        |
| RU (models)                            | 43C1454 | 1        |
| TR (models)                            | 43C1455 | 1        |
| HU (models)                            | 43C1456 | 1        |
| GK (models)                            | 43C1457 | 1        |
| PO (models)                            | 43C1458 | 1        |
| CS (models)                            | 43C1459 | 1        |
| TW (models)                            | 43C1460 | 1        |
| HK (models)                            | 43C1461 | 1        |
| KR (models)                            | 43C1462 | 1        |
| SL (models)                            | 43C1463 | 1        |
| RE (models)                            | 43C1464 | 1        |

| 8798 Vista Business 32 Recovery DVDs | FRU#    | CRU Tier |
|--------------------------------------|---------|----------|
| US/UK/AP/TH (models D9G)             | 43C1390 | 1        |
| FR/CF (models D9G)                   | 43C1391 | 1        |
| GR (models D9G)                      | 43C1392 | 1        |
| SP/LA (models D9G)                   | 43C1393 | 1        |
| IT (models D9G)                      | 43C1395 | 1        |
| NO (models D9G)                      | 43C1397 | 1        |
| SV (models D9G)                      | 43C1398 | 1        |
| DK (models D9G)                      | 43C1399 | 1        |
| NL (models D9G)                      | 43C1400 | 1        |
| CZ (models D9G)                      | 43C1401 | 1        |
| FI (models D9G)                      | 43C1402 | 1        |
| PL (models D9G)                      | 43C1403 | 1        |
| RU (models D9G)                      | 43C1404 | 1        |
| TR (models D9G)                      | 43C1405 | 1        |
| HU (models D9G)                      | 43C1406 | 1        |
| GK (models D9G)                      | 43C1407 | 1        |
| PO (models D9G)                      | 43C1408 | 1        |
| TW (models D8V)                      | 43C1410 | 1        |
| SL (models D9G)                      | 43C1413 | 1        |
| RE (models D9G)                      | 43C1414 | 1        |

# Machine Type 8799



| Item # | 8799 FRUs   | FRU#    | CRU Tier | RoHS? |
|--------|---|---------|----------|-------|
| 1      | Top Cover (models J1J J2J J3J J4J J5J J6J EKJ ELJ EMJ ENJ EPJ EQJ HCJ HDJ HFJ HGJ HHJ HJJ 9BJ 9CJ 9DJ 9EJ 9FJ B8J B9J HMJ HNJ HLJ HPJ 9JJ 9HJ DCJ)  | 89P6782 | 1        | Y     |
| 2      | Pocono Interposal Card (all models)   | 41R2902 | 1        | Y     |
| 2      | PCI Riser Card Bracket Asm (all models)   | 41N8276 | 1        | Y     |
| 2      | Riser Card Bracket Asm, Flippable PCI and PCIX/DVI, RoHS (all models)   | 39M0618 | 1        | Y     |
| 3      | Power Supply (all models)   | 41N3105 | 2        | Y     |
| 3      | Power Supply, 225 Watt (models)   | 41A9735 | N        | Y     |
| 4      | Hard disk drive 80GB 7200rpm Serial ATA, (models CTO A1S A1P A1L A1D A1Y A2S A2P A2L A2D A2Y A3S A3P A3L A3D A3Y A6S A6P A6L A6D A6Y A8S A8P A8L A8D A8Y AAS AAP AAL AAD AAY B1G 91S 91P 91L 91D 91Y 92A 92T AFJ AGJ AHJ AJJ 92B 92H AWS AWP AWY EAJ EBJ ECJ EDA EDT EFS EFP EFY 9AS 9AP 9AY DAS DAP DAY DBS DBP DBY E1V E4S E4P E4Y H1S H1P H1L H1D H1Y H1J H3J H5J H6J J1J J2J J3J J4J J5J J6J EKJ ELJ EMJ ENJ EPJ EQJ B8J B9J BAG HMJ HNJ HLJ HPJ 9GB 9GH DDA DDT) | 40Y9034 | 1        | Y     |

| Item # | 8799 FRUs   | FRU#    | CRU Tier | RoHS? |
|--------|---|---------|----------|-------|
| 4      | Hard disk drive 80GB 7200rpm Serial ATA, (models CTO A1S A1P A1L A1D A1Y A2S A2P A2L A2D A2Y A3S A3P A3L A3D A3Y A6S A6P A6L A6D A6Y A8S A8P A8L A8D A8Y AAS AAP AAL AAD AAY B1G 91S 91P 91L 91D 91Y 92A 92T AFJ AGJ AHJ AJJ 92B 92H AWS AWP AWY EAJ EBJ ECJ EDA EDT EFS EFP EFY 9AS 9AP 9AY DAS DAP DAY DBS DBP DBY E1V E4S E4P E4Y H1S H1P H1L H1D H1Y H1J H3J H5J H6J J1J J2J J3J J4J J5J J6J EKJ ELJ EMJ ENJ EPJ EQJ B8J B9J BAG HMJ HNJ HLJ HPJ 9GB 9GH DDA DDT) | 40Y8761 | 1        | Y     |
| 4      | Hard disk drive 160GB 7200rpm Serial ATA (models CTO ABS ABP ABL ABD ABY ACK ACR B2K B2R B5K B5R AKJ ALJ AMJ ANJ 96J 98J D1J D3J ACB ACH EGS EGP EGY EHS EHP EHL EHD EHY EHJ EJK E5S E5P E5Y H2S H2P H2L H2D H2Y H4J H7B H7H H7K HCJ HDJ HFJ HGJ HHJ HJJ 9BJ 9CJ 9DJ 9EJ 9FJ HKK 9JJ 9HJ DCJ HSJ HTJ HUI HVJ)   | 40Y9035 | 1        | Y     |
| 4      | Hard disk drive 160GB 7200rpm Serial ATA (models CTO ABS ABP ABL ABD ABY ACK ACR B2K B2R B5K B5R AKJ ALJ AMJ ANJ 96J 98J D1J D3J ACB ACH EGS EGP EGY EHS EHP EHL EHD EHY EHJ EJK E5S E5P E5Y H2S H2P H2L H2D H2Y H4J H7B H7H H7K HCJ HDJ HFJ HGJ HHJ HJJ 9BJ 9CJ 9DJ 9EJ 9FJ HKK 9JJ 9HJ DCJ HSJ HTJ HUI HVJ)   | 40Y8762 | 1        | Y     |
| 4      | Hard disk drive 250GB 7200rpm Serial ATA (models CTO ADK ADR B6K B6R 93K 93R 94S 94P 94L 94D 94Y 95K 95R 93B 93H 97J 99J D2J D4J E2B E2H E3K 9FB 9FH)   | 40Y9036 | 1        | Y     |
| 4      | Hard disk drive 250GB 7200rpm Serial ATA (models CTO ADK ADR B6K B6R 93K 93R 94S 94P 94L 94D 94Y 95K 95R 93B 93H 97J 99J D2J D4J E2B E2H E3K 9FB 9FH)   | 40Y8763 | 1        | Y     |
| 4      | Hard disk drive 500GB 7200rpm Serial ATA (models CTO)   | 41X5582 | 1        | Y     |
| 5      | Front Rotating Cage assembly (all models)   | 41N5315 | 2        | Y     |
| 6      | CD-RW/DVD-ROM Combo Drive 48X/32X/48X/16X Max--vista and nonvista (models CTO A8S A8P A8L A8D A8Y ABS ABP ABL ABD ABY ACK ACR ADK ADR B2K B2R B5K B5R B6K B6R 92A 92T 93K 93R AHJ AJJ AKJ ALJ 92B 92H 93B 93H B1G ACB ACH EBJ EDA EDT EGS EGP EGY EHS EHP EHL EHD EHY EHJ EJK 9AS 9AP 9AY DBS DBP DBY E3K E5S E5P E5Y E1V H2S H2P H2L H2D H2Y H5J H6J H7B H7H H7K)  | 87H4936 | 1        | Y     |
| 6      | CD-RW/DVD-ROM Combo Drive 48X/32X/48X/16X Max (models CTO A8S A8P A8L A8D A8Y ABS ABP ABL ABD ABY ACK ACR ADK ADR B2K B2R B5K B5R B6K B6R 92A 92T 93K 93R AHJ AJJ AKJ ALJ 92B 92H 93B 93H B1G ACB ACH EBJ EDA EDT EGS EGP EGY EHS EHP EHL EHD EHY EHJ EJK 9AS 9AP 9AY DBS DBP DBY E3K E5S E5P E5Y E1V H2S H2P H2L H2D H2Y H5J H6J H7B H7H H7K J1J J2J EKJ ELJ HCJ HDJ 9BJ 9CJ B8J BAG HMJ HKK HLJ 9FB 9FH 9GB 9GH 9JJ DDA DDT)  | 43C5016 | 1        | Y     |
| 6      | CD-RW/DVD-ROM Combo Drive 48X/32X/48X/16X Max-nonvista / vista (models CTO A8S A8P A8L A8D A8Y ABS ABP ABL ABD ABY ACK ACR ADK ADR B2K B2R B5K B5R B6K B6R 92A 92T 93K 93R AHJ AJJ AKJ ALJ 92B 92H 93B 93H B1G ACB ACH EBJ EDA EDT EGS EGP EGY EHS EHP EHL EHD EHY EHJ EJK 9AS 9AP 9AY DBS DBP DBY E3K E5S E5P E5Y E1V H2S H2P H2L H2D H2Y H5J H6J H7B H7H H7K)   | 43C2648 | 1        | Y     |
| 6      | CD-RW/DVD-ROM Combo Drive 48X/32X/48X/16X Max-nonvista / vista (models CTO A8S A8P A8L A8D A8Y ABS ABP ABL ABD ABY ACK ACR ADK ADR B2K B2R B5K B5R B6K B6R 92A 92T 93K 93R AHJ AJJ AKJ ALJ 92B 92H 93B 93H B1G ACB ACH EBJ EDA EDT EGS EGP EGY EHS EHP EHL EHD EHY EHJ EJK 9AS 9AP 9AY DBS DBP DBY E3K E5S E5P E5Y E1V H2S H2P H2L H2D H2Y H5J H6J H7B H7H H7K)   | 43C2649 | 1        | Y     |



| Item # | 8799 FRUs   | FRU#    | CRU Tier | RoHS? |
|--------|---|---------|----------|-------|
| 6      | DVD-RW/CD-RW Rambo 5 - IDE-vista (models CTO AMJ ANJ 96J 97J 98J 99J D1J D2J D3J D4J 94S 94P 94L 94D 94Y 95K 95R ECJ E2B E2H J3J J4J EMJ ENJ HFJ HGJ 9DJ HSJ HTJ HJH HVJ) | 87H4937 | 1        | Y     |
| 6      | DVD-RW/CD-RW Rambo 5 - IDE (models CTO AMJ ANJ 96J 97J 98J 99J D1J D2J D3J D4J 94S 94P 94L 94D 94Y 95K 95R ECJ E2B E2H J3J J4J EMJ ENJ HFJ HGJ 9DJ HTJ HJH HVJ)           | 41N3355 | 1        | Y     |
| 6      | DVD-RW/CD-RW Rambo 5 - IDE (models CTO AMJ ANJ 96J 97J 98J 99J D1J D2J D3J D4J 94S 94P 94L 94D 94Y 95K 95R ECJ E2B E2H J3J J4J EMJ ENJ HFJ HGJ 9DJ HSJ HTJ HJH HVJ)       | 43C0053 | 1        | Y     |
| 6      | DVD-RW/CD-RW Rambo 5 - IDE-vista (models CTO AMJ ANJ 96J 97J 98J 99J D1J D2J D3J D4J 94S 94P 94L 94D 94Y 95K 95R ECJ E2B E2H J3J J4J EMJ ENJ HFJ HGJ 9DJ HSJ HTJ HJH HVJ) | 42Y3910 | 1        | Y     |
| 7      | Front Bezel (all models)  | 41N5316 | 1        | Y     |
| 8      | Speaker and Cable assembly (all models)   | 39K5012 | 1        | Y     |
| 9      | Heat Sink (all models)  | 41A7711 | 2        | Y     |
| 10     | Microprocessor, Pentium 4 3.06 GHz 533 FSB 1MB L2 (models CTO EAJ EBJ ECJ)  | 41T4104 | N        | Y     |
| 10     | Microprocessor, Pentium 4 3.0 GHz 800 FSB 1MB L2 (models CTO EDA EDT)   | 41T1701 | N        | Y     |
| 10     | Microprocessor, Pentium 4 3.2 GHz 800 FSB 1MB L2 (models CTO EKJ ELJ EMJ ENJ EPJ EQJ)   | 41T1702 | N        | Y     |
| 10     | Microprocessor, Pentium 4 3.0 GHz 800 FSB 2MB L2 (models CTO HLJ HPJ)   | 41T1712 | N        | Y     |
| 10     | Microprocessor, Pentium 4 3.2 GHz 800 FSB 2MB L2 (models CTO)   | 41T1713 | N        | Y     |
| 10     | Microprocessor, Pentium 4 3.4 GHz 800 FSB 2MB L2 (models CTO)   | 41T1714 | N        | Y     |
| 10     | Microprocessor, Pentium 4 3.6 GHz 800 FSB 2MB L2 (models CTO)   | 41T1715 | N        | Y     |
| 10     | Microprocessor, Pentium D 2.8 GHz 800 FSB 1MB L2 (models CTO EFS EFP EFY EGS EGP EGY)   | 41T1704 | N        | Y     |
| 10     | Microprocessor, Pentium D 2.8 GHz 800 FSB 2MB L2 (models CTO EHS EHP EHL EHD EHY EHJ EJK HCJ HDJ HFJ HGJ HHJ HJJ DDA DDT)   | 41X7775 | N        | Y     |
| 10     | Microprocessor, Pentium D 3.0 GHz 800 FSB 2Mx2 L2 (models CTO H1S H1P H1L H1D H1Y H1J H2S H2P H2L H2D H2Y H3J H4J H5J H6J H7B H7H H7K HMJ HNJ HKK)                        | 41X2413 | N        | Y     |
| 10     | Microprocessor, Pentium D 3.0 GHz 800 FSB 2Mx2 L2 (models CTO)  | 41T1717 | N        | Y     |
| 10     | Microprocessor, Pentium D 3.2 GHz 800 FSB 2Mx2 L2 (models CTO)  | 41X8050 | N        | Y     |
| 10     | Microprocessor, Pentium D 3.4 GHz 800 FSB 2Mx2 L2 (models CTO E1V E2B E2H E3K E4S E4P E4Y E5S E5P E5Y)  | 41X7776 | N        | Y     |
| 10     | Microprocessor, Pentium E2140 800/1600MHZ-1M, LGA, EM64T (models CTO HSJ HTJ)   | 43C1967 | N        | Y     |
| 10     | Microprocessor, Pentium E2160 800/1800MHZ-1M, LGA, EM64T (models CTO HJH)   | 43C1968 | N        | Y     |
| 10     | Microprocessor, Pentium CONROE-L E2180 2.0GHz 800MHz FSB, 1M, EM64T (models)  | 45C1773 | N        | Y     |
| 10     | Microprocessor, Pentium CONROE-L E2220 2.4GHz 800MHz FSB, 1M, EM64T (models)  | 45C1774 | N        | Y     |
| 10     | Microprocessor, Core 2 Duo E4500 Processor 2.2GHz 800MHz FSB 2M (models)  | 43C6305 | N        | Y     |

| Item # | 8799 FRUs   | FRU#    | CRU Tier | RoHS? |
|--------|---|---------|----------|-------|
| 10     | Microprocessor, Conroe E6300 Processor 1.86GHz 1066MHz FSB 2M L2 (models CTO 91S 91P 91L 91D 91Y 92A 92T 93K 93R 94S 94P 94L 94D 94Y 95K 95R 92B 92H 93B 93H 96J 97J 98J 99J 9AS 9AP 9AY 9BJ 9CJ 9DJ 9EJ 9FJ 9FB 9FH 9GB 9GH 9JJ 9HJ)   | 41X2495 | N        | Y     |
| 10     | Microprocessor, Core 2 Duo E6320 1.86GHz 1066MHz FSB 4M B2 (models CTO)   | 43C3829 | N        | Y     |
| 10     | Microprocessor, Conroe E6400 Processor 2.13GHz 1066MHz FSB 2M L2 (models CTO D1J D2J D3J D4J DAS DAP DAY DBS DBP DBY DCJ)   | 41X2496 | N        | Y     |
| 10     | Microprocessor, Core 2 Duo E6420 Processor 2.13GHz 1066MHz FSB 4M B2 (models CTO)   | 43C3831 | N        | Y     |
| 10     | Microprocessor, Conroe E6600 Processor 2.4GHz 1066MHz FSB 4M L2 (models CTO)  | 41X5743 | N        | Y     |
| 10     | Microprocessor, Conroe E6700 Processor 2.67GHz 1066MHz FSB 4M L2 (models CTO)   | 41X5744 | N        | Y     |
| 10     | Microprocessor, Celeron D 2.66GHz 533MHz FSB 256KB L2 (models CTO)  | 41T1694 | N        | Y     |
| 10     | Microprocessor, Celeron D 2.80GHz 533MHz FSB 256KB L2 (models CTO A1S A1P A1L A1D A1Y A2S A2P A2L A2D A2Y A3S A3P A3L A3D A3Y AFJ AGJ AHJ AJJ AKJ ALJ AMJ ANJ)  | 41T1695 | N        | Y     |
| 10     | Microprocessor, Celeron D 3.06GHz 533MHz FSB 256KB L2 (models CTO AAS AAP AAL AAD AAY ABS ABP ABL ABD ABY ACK ACR ADK ADR ACB ACH AWS AWP AWY J1J J2J J3J J4J J5J J6J)  | 41T1697 | N        | Y     |
| 10     | Microprocessor, Celeron D 3.06GHz 533MHz FSB 512KB L2 (models CTO)  | 42Y8530 | N        | Y     |
| 10     | Microprocessor, Celeron D 3.20GHz 533MHz FSB 256KB L2 (models CTO)  | 41T1698 | N        | Y     |
| 10     | Microprocessor, Celeron D 3.20GHz 533MHz FSB 512KB L2 (models CTO B1G B2K B2R B8J B9J BAG)  | 41T4966 | N        | Y     |
| 10     | Microprocessor, Celeron D 3.33GHz 533MHz FSB 512KB L2 (models CTO B5K B5R B6K B6R)  | 41T4968 | N        | Y     |
| 10     | Microprocessor, Celeron 420 800/1600MHZ-512K,LGA,EM64T A1 (models CTO)  | 43C3835 | N        | Y     |
| 10     | Microprocessor, Celeron 430 800/1800MHZ-512K,LGA,EM64T A1 (models CTO)  | 43C1964 | N        | Y     |
| 10     | Microprocessor, Celeron 440 800/1800MHZ-512K,LGA,EM64T A1 (models CTO)  | 43C1965 | N        | Y     |
| 10     | Microprocessor, Core 2 Duo E4300 1.8GHz 800MHz FSB 2M L2 (models CTO)   | 42Y8009 | N        | Y     |
| 10     | Microprocessor, Core 2 Duo E4400 2.0GHz 800MHz FSB 2M L2 (models CTO HVJ)   | 43C2056 | N        | Y     |
| 11     | System board (models 92B 92H 93B 93H 96J 97J 98J 99J D1J D2J D3J D4J ACB ACH AWS AWP AWY EAJ EBJ ECJ EDA EDT EFS EFP EFY EGS EGP EGY EHS EHP EHL EHD EHY EHJ EJK 9AS 9AP 9AY DAS DAP DAY DBS DBP DBY E1V E2B E2H E3K E4S E4P E4Y E5S E5P E5Y H1S H1P H1L H1D H1Y H1J H2S H2P H2L H2D H2Y H3J H4J H5J H6J H7B H7H H7K CTO A1S A1P A1L A1D A1Y A2S A2P A2L A2D A2Y A3S A3P A3L A3D A3Y A6S A6P A6L A6D A6Y A8S A8P A8L A8D A8Y AAS AAP AAL AAD AAY ABS ABP ABL ABD ABY ACK ACR ADK ADR B1G B2K B2R B5K B5R B6K B6R 91S 91P 91L 91D 91Y 92A 92T 93K 93R 94S 94P 94L 94D 94Y 95K 95R AFJ AGJ AHJ AJJ AKJ ALJ AMJ ANJ J1J J2J J3J J4J J5J J6J EKJ ELJ EMJ ENJ EPJ EQJ HCJ HDJ HFJ HGJ HHJ HJJ 9BJ 9CJ 9DJ 9EJ 9FJ B8J B9J BAG HMJ HNJ HKK HLJ HPJ 9FB 9FH 9GB 9GH 9JJ 9HJ DCJ DDA DDT HSJ HTJ HJH HVJ) | 43C7181 | 2        | Y     |

| Item # | 8799 FRUs   | FRU#    | CRU Tier | RoHS? |
|--------|---|---------|----------|-------|
| 12     | Memory - 512MB DDR2 SDRAM NP Memory (PC 4200) (models CTO)  | 30R5121 | 1        | Y     |
| 12     | Memory - 512MB DDR2 SDRAM NP Memory (PC 4200) (models CTO)  | 41X4251 | 1        | Y     |
| 12     | Memory - 1GB DDR2 SDRAM NP Memory (PC 4200) (models CTO)  | 30R5122 | 1        | Y     |
| 12     | Memory - 2GB DDR2 SDRAM NP Memory (PC 4200) (models CTO)  | 30R5123 | 1        | Y     |
| 12     | Memory - 512MB DDR2 SDRAM NP (PC 5300) (models CTO A8S A8P A8L A8D A8Y AAS AAP AAL AAD AAY ABS ABP ABL ABD ABY ACK ACR ADK ADR B1G B2K B2R B5K B5R B6K B6R 91S 91P 91L 91D 91Y 92A 92T 93K 93R 94S 94P 94L 94D 94Y 95K 95R AFJ AGJ AHJ AJJ AKJ ALJ AMJ ANJ 92B 92H 93B 93H 96J 97J D1J D2J ACB ACH EAJ EBJ ECJ EDA EDT EFS EFP EFY EGS EGP EGY EHS EHP EHL EHD EHY EHJ EJK 9AS 9AP 9AY DAS DAP DAY DBS DBP DBY E1V E2B E2H E4S E4P E4Y H1S H1P H1L H1D H1Y H1J H2S H2P H2L H2D H2Y H3J H4J H5J H6J H7B H7H H7K J1J J2J J3J J4J J5J J6J EKJ ELJ EMJ ENJ EPJ EQJ B8J B9J HMJ HNJ HKK HLJ HPJ 9FB 9FH 9GB 9GH 9JJ 9HJ DCJ DDA DDT HSJ) | 30R5125 | 1        | Y     |
| 12     | Memory - 1GB DDR2 SDRAM NP (PC 5300) (models CTO 98J 99J D3J D4J E3K E5S E5P E5Y HCJ HDJ HFJ HGJ HHJ HJJ 9BJ 9CJ 9DJ 9EJ 9FJ HTJ HUJ HVJ)   | 41X4252 | 1        | Y     |
| 12     | Memory - 1GB DDR2 SDRAM NP (PC 5300) (models CTO 98J 99J D3J D4J E3K E5S E5P E5Y HCJ HDJ HFJ HGJ HHJ HJJ 9BJ 9CJ 9DJ 9EJ 9FJ HTJ HUJ HVJ )  | 30R5126 | 1        | Y     |
| 12     | Memory - 2GB DDR2 SDRAM NP (PC 5300) (models CTO)   | 30R5127 | 1        | Y     |
| 12     | Memory - 512MB DDR2 SDRAM NP (PC 6400) (models CTO)   | 41X1079 | 1        | Y     |
| 12     | Memory - 1GB DDR2 SDRAM NP (PC 6400) (models CTO)   | 41X1080 | 1        | Y     |
| 12     | Memory - 2GB DDR2 SDRAM NP (PC 6400) (models CTO)   | 41X1081 | 1        | Y     |
| 13     | Rear exhaust fan (all models)   | 39M0551 | 1        | Y     |

The FRUs listed in the following table are not illustrated.

| 8799 FRUs  | FRU#    | CRU Tier | RoHS? |
|--|---------|----------|-------|
| Bezel, Ultra-Bay-Enhanced (all models)                                     | 89P6804 | 1        | Y     |
| HSS Tray assembly (includes grommet/pins/brkt/ground springs) (all models) | 89P6778 | 1        | Y     |
| Power/LED cable assembly with bracket (all models)                         | 39K5055 | 2        | Y     |
| Chassis and cover assembly (all models)                                    | 41N5314 | 2        | Y     |
| Cable, SATA hard disk drive and optical drive (all models)                 | 39K5061 | 1        | Y     |
| Fan assembly, front (all models)   | 41R6359 | 1        | Y     |
| Vertical stand (all models)  | 89P6792 | 1        | Y     |
| Rear air deflector (all models)  | 89P6793 | 1        | Y     |
| Miscellaneous hardware kit (all models)                                    | 89P6794 | 1        | Y     |
| Plastic parts kit (all models)   | 39M0575 | 2        | Y     |
| Battery 3.0V (all models)  | 33F8354 | 1        | Y     |
| Underdesk Mounting Kit (all models)  | 39M0599 | 1        | Y     |
| Chassis Intrusion Switch-C2 Cable-Switch (all models)                      | 39K5022 | 1        | Y     |
| Thermal Sense cable (850 mm) (all models)                                  | 41R2511 | 1        | Y     |

| 8799 Keyboards (USB Preferred - without hub)  | FRU#    | CRU Tier | RoHS? |
|---|---------|----------|-------|
| US English (models A1L A2L A3L A6L A8L AAL ABL ACR ADR B1G B2R B5R B6R 91L 92A 93R 94L 95R 92H 93H ACH EDA EHL H1L H2L H7H BAG DDA 9FH 9GH)   | 41A5289 | 1        | Y     |
| Arabic (models B1G BAG)   | 41A5290 | 1        | Y     |
| Arabic/French (models B1G BAG)  | 41A5291 | 1        | Y     |
| Belgian/French (models B1G BAG)   | 41A5292 | 1        | Y     |
| Belgian/UK (models B1G BAG)   | 41A5293 | 1        | Y     |
| Brazilian (models A1P A2P A3P A6P A8P AAP ABP 91P 94P AWP EFP EGP EHP 9AP DAP DBP E4P E5P H1P H2P)  | 41A5294 | 1        | Y     |
| Bulgarian (models B1G BAG)  | 41A5295 | 1        | Y     |
| Chinese/US (models 92B 93B ACB E1V H7B 9FB 9GB)   | 41A5296 | 1        | Y     |
| Czech (models B1G BAG)  | 41A5297 | 1        | Y     |
| Danish (models B1G BAG)   | 41A5298 | 1        | Y     |
| Dutch (models B1G BAG)  | 41A5299 | 1        | Y     |
| French (models B1G BAG)   | 41A5300 | 1        | Y     |
| German (models B1G BAG)   | 41A5303 | 1        | Y     |
| Greek (models B1G BAG)  | 41A5304 | 1        | Y     |
| Greek/US (models B1G BAG)   | 41A5305 | 1        | Y     |
| Hebrew (models B1G BAG)   | 41A5306 | 1        | Y     |
| Hungarian (models B1G BAG)  | 41A5307 | 1        | Y     |
| Iceland (models B1G BAG)  | 41A5308 | 1        | Y     |
| Italian 141 (models B1G BAG)  | 41A5309 | 1        | Y     |
| Japanese (models AGJ AHJ AKJ AMJ EAJ EBJ ECJ EHJ H1J H4J H5J J1J J2J J3J J4J J5J J6J EKJ ELJ EMJ ENJ EPJ EQJ B8J B9J HKK HLJ HPJ 9FB 9FH 9GB 9GH 9JJ DDA DDT HSJ HTJ ADD HUI HVJ)   | 41A5310 | 1        | Y     |
| Korean (models ACK ADK B2K B5K B6K 93K 95K EJK E3K H7K HKK)   | 41A5311 | 1        | Y     |
| LA Spanish (models A1S A1D A1Y A2S A2D A2Y A3S A3D A3Y A6S A6D A6Y A8S A8D A8Y AAS AAD AAY ABS ABD ABY 91S 91D 91Y 94S 94D 94Y AWS AWY EFS EFY EGS EGY EHS EHD EHY 9AS 9AY DAS DAY DBS DBY E4S E4Y E5S E5Y H1S H1D H1Y H2S H2D H2Y) | 41A5312 | 1        | Y     |
| Norwegian (models B1G BAG)  | 41A5313 | 1        | Y     |
| Polish (models B1G BAG)   | 41A5314 | 1        | Y     |
| Portuguese (models B1G BAG)   | 41A5315 | 1        | Y     |
| Romanian 096 (models B1G BAG)   | 41A5317 | 1        | Y     |
| Romanian 446 (models B1G BAG)   | 41A5316 | 1        | Y     |
| Russian/Cyrillic (models B1G BAG)   | 41A5318 | 1        | Y     |
| Serbian/Cyrillic (models B1G BAG)   | 41A5319 | 1        | Y     |
| Slovak (models B1G BAG)   | 41A5320 | 1        | Y     |
| Spanish (models B1G BAG)  | 41A5321 | 1        | Y     |
| Swedish/Finn (models B1G BAG)   | 41A5322 | 1        | Y     |
| Swiss (models B1G BAG)  | 41A5323 | 1        | Y     |
| Thailand (models 92T EDT DDT)   | 41A5324 | 1        | Y     |
| Turkish 440 (models B1G BAG)  | 41A5325 | 1        | Y     |

| 8799 Keyboards (USB Preferred - without hub) | FRU#    | CRU Tier | RoHS? |
|--|---------|----------|-------|
| Turkish 179 (models B1G BAG)                 | 41A5326 | 1        | Y     |
| UK English (models B1G BAG)                  | 41A5327 | 1        | Y     |
| US Euro (models B1G BAG)                     | 41A5328 | 1        | Y     |
| Slovenian (models B1G BAG)                   | 41A5329 | 1        | Y     |

| 8799 Keyboards (USB Productivity - with hub) | FRU#    | CRU Tier | RoHS? |
|--|---------|----------|-------|
| US English (models E2H)                      | 41A4961 | 1        | Y     |
| Hong Kong/Taiwan (models E2B)                | 41A4968 | 1        | Y     |

| 8799 Keyboards (Fingerprint reader, USB)  | FRU#    | CRU Tier | RoHS? |
|---|---------|----------|-------|
| Japanese (models AJJ ALJ ANJ 96J 97J 98J 99J D1J D2J D3J D4J H6J HCJ HDJ HFJ HGJ HHJ HJJ 9BJ 9CJ 9DJ 9EJ 9FJ HNJ 9HJ DCJ) | 41A5269 | 1        | Y     |

| 8799 Mice  | FRU#    | CRU Tier | RoHS? |
|--|---------|----------|-------|
| Mouse, Optical Wheel (400DPI, USB) (all models EXCEPT H3J HSJ HTJ) | 41U3013 | 1        | Y     |
| Mouse, ScrollPoint Optical (800DPI, USB) (models CTO)              | 41U3019 | 1        | Y     |
| Mouse, Optical Wheel (400DPI, USB) (all models EXCEPT H3J HSJ HTJ) | 41U3030 | 1        | Y     |

| 8799 Wireless I/O              | FRU#    | CRU Tier | RoHS? |
|--------------------------------|---------|----------|-------|
| Wireless Keyboard (models CTO) | 41A5219 | 1        | Y     |
| Wireless Mouse (models CTO)    | 41A5247 | 1        | Y     |
| Transceiver (USB) (models CTO) | 41A5246 | 1        | Y     |

| 8799 Adapters and miscellaneous FRUs   | FRU#    | CRU Tier | RoHS? |
|--|---------|----------|-------|
| PCI-E DVI-DConnection Adapter (Full Height) (models CTO)   | 39J9334 | 1        | Y     |
| IEEE 1394 Firewire Adapter - full height (models CTO)  | 41D2781 | 1        | Y     |
| Speakers, (2-piece) (Lenovo logo) (models CTO A2S A2P A2L A2D A2Y A8S A8P A8L A8D A8Y)           | 41A5331 | 1        | Y     |
| Speakers, Lenovo Branded (models CTO)  | 41A5334 | 1        | Y     |
| Speaker Power brick - US, Canada, LA low voltage, ASEAN (models A2S A2L A2D A2Y A8S A8L A8D A8Y) | 89P8571 | 1        | Y     |
| Speaker Power brick - LA high voltage (non-APU) (models CTO)                                     | 89P8575 | 1        | Y     |
| Speaker Power brick - China, Thailand (models CTO)   | 89P8581 | 1        | Y     |
| Speaker Power brick - Japan (models CTO ADD HUI HVJ)   | 89P8577 | 1        | Y     |
| Speaker Power brick - Brazil (models A2P A8P)  | 89P8583 | 1        | Y     |
| Speaker Power brick - Argentina (models A2S A2L A2Y A8S A8L A8Y)                                 | 41A4901 | 1        | Y     |
| Speaker Power brick - ANZ (models CTO)   | 89P8579 | 1        | Y     |
| Speaker Power brick - Korea (models CTO)   | 41A4903 | 1        | Y     |

| 8799 Adapters and miscellaneous FRUs                   | FRU#    | CRU Tier | RoHS? |
|--|---------|----------|-------|
| Speaker Brick - Hong Kong, EMEA (models CTO)           | 89P8573 | 1        | Y     |
| Speaker Power brick - Taiwan (models CTO)              | 41A4905 | 1        | Y     |
| Speaker Power brick - India, South Africa (models CTO) | 89P8585 | 1        | Y     |
| Thermal Grease Syringe (all models)                    | 91P8835 | 1        | Y     |

| 8799 Power Cords  | FRU#    | CRU Tier | RoHS? |
|---|---------|----------|-------|
| Power Cord (US) (models CTO-U A1S A1L A1D A2S A2L A2D A3S A3L A3D A6S A6L A6D A8S A8L A8D AAS AAL AAD ABS ABL ABD 91S 91L 91D 92A 92T 94S 94L 94D AWS EDA EDT EFS EGS EHS EHL EHD 9AS DAS DBS E4S E5S H1S H1L H1D H2S H2L H2D DDA DDT)  | 39M5080 | 1        | Y     |
| Power Cord (China) (models CTO-A)   | 39M5205 | 1        | Y     |
| Power Cord (Japan) (models CTO-A AFJ AGJ AHJ AJJ AKJ ALJ AMJ ANJ 96J 97J 98J 99J D1J D2J D3J D4J EAJ EBJ ECJ EHJ H1J H3J H4J H5J H6J J1J J2J J3J J4J J5J J6J EKJ ELJ EMJ ENJ EPJ EQJ HCJ HDJ HFJ HGJ HHJ HJJ 9BJ 9CJ 9DJ 9EJ 9FJ B8J B9J HMJ HNJ HLJ HPJ 9JJ 9HJ DCJ HSJ HTJ) | 39M5193 | 1        | Y     |
| Power Cord (Brazil) (models CTO-L A1P A2P A3P A6P A8P AAP ABP 91P 94P AWP EFP EGP EHP 9AP DAP DBP E4P E5P H1P H2P)  | 39M5232 | 1        | Y     |
| Power Cord (LA), (High Volt) (APU) (models CTO-L A1L A1Y A2L A2Y A3L A3Y A6L A6Y A8L A8Y AAL AAY ABL ABY 91L 91Y 94L 94Y AWY EFY EGY EHL EHY 9AY DAY DBY E4Y E5Y H1L H1Y H2L H2Y)   | 39M5067 | 1        | Y     |
| Power Cord (Australia, New Zealand) (models CTO-A)  | 39M5102 | 1        | Y     |
| Power Cord (Korea) (models CTO-A ACK ACR ADK ADR B2K B2R B5K B5R B6K B6R 93K 93R 95K 95R EJK E3K H7K HKK)   | 39M5212 | 1        | Y     |
| Power Cord (Hong Kong) (models CTO-A 92B 92H 93B 93H ACB ACH E2B E2H H7B H7H 9FB 9FH 9GB 9GH)   | 39M5151 | 1        | Y     |
| Power Cord (UK, Ireland, Singapore, Malaysia, Brunei) (models CTO-G CTO-A B1G 92A EDA BAG DDA)  | 39M5150 | 1        | Y     |
| Power Cord (Taiwan) (models CTO-A A4V A7V A9V E1V)  | 39M5246 | 1        | Y     |
| Power Cord (Italy) (models CTO-G A1S A1L A1Y A2S A2L A2Y A3S A3L A3Y A6S A6L A6Y A8S A8L A8Y AAS AAL AAY ABS ABL ABY B1G 91S 91L 91Y 94S 94L 94Y AWS AWY EFS EFY EGS EGY EHS EHL EHY 9AS 9AY DAS DAY DBS DBY E4S E4Y E5S E5Y H1S H1L H1Y H2S H2L H2Y BAG)                     | 39M5164 | 1        | Y     |
| Power Cord (G models) (models CTO-G CTO-A 92A EDA DDA)  | 39M5122 | 1        | Y     |
| Power Cord (Denmark) (models CTO-G B1G BAG)   | 39M5129 | 1        | Y     |
| Power Cord (Switzerland) (models CTO-G B1G BAG)   | 39M5157 | 1        | Y     |
| Power Cord (Israel) (models CTO-G B1G BAG)  | 39M5171 | 1        | Y     |
| Power Cord (South Africa) (models CTO-G B1G 92A EDA BAG DDA)  | 39M5143 | 1        | Y     |
| Power Cord (India) (models CTO-A)   | 39M5004 | 1        | Y     |

| 8799 Windows XP Home Recovery CDs                                    | FRU#    | CRU Tier | RoHS? |
|--|---------|----------|-------|
| US/UK/AP/TH (models A2L A8L ACR ADR B2R B5R B6R 93R 95R 93H ACH E2H) | 42Y3242 | 1        | Y     |
| SP/LA (models A2S A2D A2Y A8S A8D A8Y)                               | 42Y4493 | 1        | Y     |
| BR (models A2P A8P)  | 42Y4495 | 1        | Y     |

| 8799 Windows XP Home Recovery CDs                   | FRU#    | CRU Tier | RoHS? |
|---|---------|----------|-------|
| Korean (models ACK ADK B2K B5K B6K 93K 95K EJK E3K) | 42T8651 | 1        | Y     |
| Hong Kong - TC (models 93B ACB E2B)                 | 42T8669 | 1        | Y     |

| 8799 Windows XP Pro Recovery CDs  | FRU#    | CRU Tier | RoHS? |
|---|---------|----------|-------|
| US/UK/AP/TH (models A3L A6L AAL ABL B1G 91L 92A 92T 94L 92H EDA EDT EHL H1L H2L H7H BAG 9GH)  | 42Y3236 | 1        | Y     |
| RE (models B1G BAG)   | 42Y5464 | 1        | Y     |
| FR/CF (models B1G BAG)  | 42Y4449 | 1        | Y     |
| GR (models B1G BAG)   | 42Y4450 | 1        | Y     |
| SP/LA (models A3S A3D A3Y A6S A6D A6Y AAS AAD AAY ABS ABD ABY B1G 91S 91D 91Y 94S 94D 94Y AWS AWY EFS EFY EGS EGY EHS EHD EHY 9AS 9AY DAS DAY DBS DBY E4S E4Y E5S E5Y H1S H1D H1Y H2S H2D H2Y)  | 42Y4451 | 1        | Y     |
| IT (models B1G BAG)   | 42Y4452 | 1        | Y     |
| BR (models B1G BAG H2P)   | 42Y4453 | 1        | Y     |
| SV (models B1G BAG)   | 42Y4454 | 1        | Y     |
| DK (models B1G BAG)   | 42Y4455 | 1        | Y     |
| FI (models B1G BAG)   | 42Y5465 | 1        | Y     |
| NO (models B1G BAG)   | 42Y5466 | 1        | Y     |
| NL (models B1G BAG)   | 42Y5467 | 1        | Y     |
| Korea (models H7K)  | 42T8621 | 1        | Y     |
| Taiwan - TC (models E1V)  | 42T8633 | 1        | Y     |
| Hong Kong - TC (models 92B H7B 9GB)   | 42T8639 | 1        | Y     |
| Japanese (models AFJ AGJ AHJ AJJ AKJ ALJ AMJ ANJ 96J 97J 98J 99J D1J D2J D3J D4J EAJ EBJ ECJ EHJ H1J H3J J1J J2J J3J J4J J5J J6J EKJ ELJ EMJ ENJ EPJ EQJ HCJ HDJ HFJ HGJ HHJ HJJ 9BJ 9CJ 9DJ 9EJ 9FJ HTJ B8J B9J HMJ HNJ HLJ HPJ 9JJ 9HJ DCJ HSJ HUI HVJ) | 42T8645 | 1        | Y     |
| HE (models B1G BAG)   | 42Y5468 | 1        | Y     |
| PL (models B1G BAG)   | 42Y5469 | 1        | Y     |
| CZ (models B1G BAG)   | 42Y5470 | 1        | Y     |
| AE (models B1G BAG)   | 42Y5471 | 1        | Y     |
| RU (models B1G BAG)   | 42Y5472 | 1        | Y     |
| TR (models B1G BAG)   | 42Y5473 | 1        | Y     |
| HU (models B1G BAG)   | 42Y5474 | 1        | Y     |
| PO (models B1G BAG)   | 42Y5475 | 1        | Y     |
| GK (models B1G BAG)   | 42Y5476 | 1        | Y     |
| SL (models B1G BAG)   | 42Y5477 | 1        | Y     |
| Multilingual 1 -- EN, NL, FR, GR, IT (models B1G BAG)   | 42Y4533 | 1        | Y     |
| Multilingual 2 -- EN, DK, FI, NO, SV (models B1G BAG)   | 42Y5626 | 1        | Y     |

| 8799 Vista Home Basic 32 Recovery DVDs | FRU#    | CRU Tier |
|--|---------|----------|
| US/UK/AP/TH (models 9FH)               | 43C1440 | 1        |

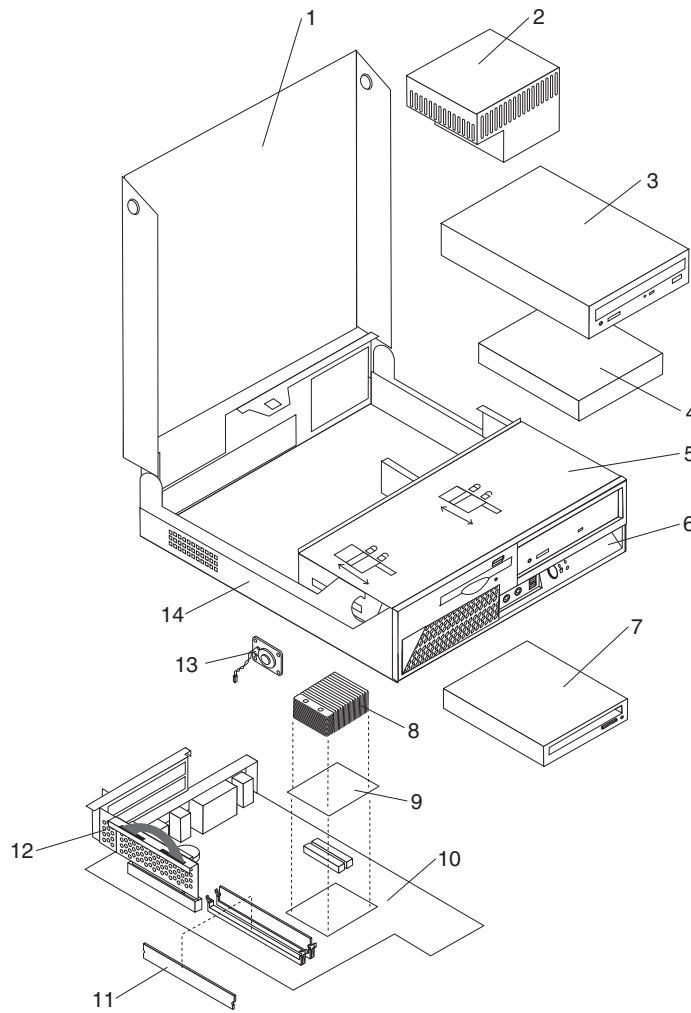
| 8799 Vista Home Basic 32 Recovery DVDs | FRU#    | CRU Tier |
|--|---------|----------|
| FR/CF (models)                         | 43C1441 | 1        |
| GR (models)                            | 43C1442 | 1        |
| SP/LA (models)                         | 43C1443 | 1        |
| BR (models)                            | 43C1444 | 1        |
| IT (models)                            | 43C1445 | 1        |
| JP (models)                            | 43C1446 | 1        |
| NO (models)                            | 43C1447 | 1        |
| SV (models)                            | 43C1448 | 1        |
| DK (models)                            | 43C1449 | 1        |
| NL (models)                            | 43C1450 | 1        |
| CZ (models)                            | 43C1451 | 1        |
| FI (models)                            | 43C1452 | 1        |
| PL (models)                            | 43C1453 | 1        |
| RU (models)                            | 43C1454 | 1        |
| TR (models)                            | 43C1455 | 1        |
| HU (models)                            | 43C1456 | 1        |
| GK (models)                            | 43C1457 | 1        |
| PO (models)                            | 43C1458 | 1        |
| CS (models)                            | 43C1459 | 1        |
| TW (models)                            | 43C1460 | 1        |
| HK (models 9FB )                       | 43C1461 | 1        |
| KR (models HKK)                        | 43C1462 | 1        |
| SL (models)                            | 43C1463 | 1        |
| RE (models)                            | 43C1464 | 1        |

| 8799 Vista Business 32 Recovery DVDs                | FRU#    | CRU Tier |
|---|---------|----------|
| US/UK/AP/TH (models BAG 9GH)                        | 43C1390 | 1        |
| FR/CF (models)                                      | 43C1391 | 1        |
| GR (models)   | 43C1392 | 1        |
| SP/LA (models)                                      | 43C1393 | 1        |
| IT (models)   | 43C1395 | 1        |
| JP (models B8J B9J HMJ HNJ HLJ HPJ 9JJ 9HJ DCJ HSJ) | 43C1396 | 1        |
| NO (models BAG)                                     | 43C1397 | 1        |
| SV (models BAG)                                     | 43C1398 | 1        |
| DK (models BAG)                                     | 43C1399 | 1        |
| NL (models BAG)                                     | 43C1400 | 1        |
| CZ (models BAG)                                     | 43C1401 | 1        |
| FI (models BAG)                                     | 43C1402 | 1        |
| PL (models BAG)                                     | 43C1403 | 1        |
| RU (models BAG)                                     | 43C1404 | 1        |
| TR (models BAG)                                     | 43C1405 | 1        |



| 8799 Vista Business 32 Recovery DVDs |  | FRU#    | CRU Tier |
|--------------------------------------|--|---------|----------|
| HU (models BAG)                      |  | 43C1406 | 1        |
| GK (models BAG)                      |  | 43C1407 | 1        |
| PO (models BAG)                      |  | 43C1408 | 1        |
| HK (models 9GB)                      |  | 43C1411 | 1        |
| SL (models BAG)                      |  | 43C1413 | 1        |
| RE (models BAG)                      |  | 43C1414 | 1        |

## Machine Type 8800



| Item # | 8800 FRUs                    | FRU#    | CRU Tier | RoHS? |
|--------|------------------------------|---------|----------|-------|
| 1      | Cover, Assembly (all models) | 41R6220 | 1        | Y     |

| Item # | 8800 FRUs  | FRU#    | CRU Tier | RoHS? |
|--------|--|---------|----------|-------|
| 2      | Power Supply, 275 active PFC-WW, China, JAPAN (models CTO AHK B1G B3K B4K B4R B5K B6K 94K 94R 95K 95R 97K 97R A3K 6BG 6AK 8LK 55K 6PG 5HK H2K CTO-A A1C A2S A2P A2L A2D A2Y A2C A3C A4S A4P A4L A4D A4Y A5S A5P A5L A5D A5Y A6V A8C A9S A9P A9L A9D A9Y ABS ABP ABL ABD ABY ACC AES AEP AEL AED AEY AFS AFP AFL AFD AFY 91S 91P 91L 91D 91Y 96S 96P 96L 96D 96Y A7C AGB AGH 95B 95H 96V 93V 98S 98P 98L 98D 98Y D1S D1P D1L D1D D1Y E1S E1P E1L E1D E1Y 61S 61P 61Y 62S 62P 62Y 69Q 8JQ 8KS 8KP 8KY 8MS 8MP 8ML 8MY 91Q 9PS 9PP 9PY 9QS 9QP 9QY 9SS 9SP 9SY AAV 52S 52P 52L 52D 52Y 52Q 53S 53P 53L 53D 53Y 54Y 6JC H1C 6JB 6JH H1B H1H CTO-A 92J 93J AKJ ALJ AMJ ANJ APJ AQJ ARJ ASJ ATJ AUJ AVJ AWJ AYJ AZJ 21J 22J 99J 9AJ 9BJ 9CJ 9DJ 9EJ 9FJ 9GJ 9HJ 9JJ 9KJ 9LJ 9MJ 9NJ 63J 64J 65J 66J 67J 68J 69J 56J 57J 58J 59J 6CJ 6DJ 6EJ 6FJ 6GJ 6HJ 5CJ 5DJ 5EJ 5FJ 5GJ 9TJ 9UJ 9VJ 9WJ DGJ DHJ DJJ 6KJ 6LJ 6MJ 6NJ 5JJ 8NJ H3J H4J DKB DKH DLK DLJ DMK DMJ DPK E3K) | 41A9640 | 2        | Y     |
| 2      | Power Supply (225 Watt) (models CTO AHK B1G B3K B4K B4R B5K B6K 94K 94R 95K 95R 97K 97R A3K 6BG 6AK 8LK 55K 6PG 5HK H2K DLK DMK DPK E3K)   | 41A9629 | 2        | Y     |
| 2      | Power Supply - China (225 Watt) (models CTO-A A1C A2S A2P A2L A2D A2Y A2C A3C A4S A4P A4L A4D A4Y A5S A5P A5L A5D A5Y A6V A8C A9S A9P A9L A9D A9Y ABS ABP ABL ABD ABY ACC AES AEP AEL AED AEY AFS AFP AFL AFD AFY 91S 91P 91L 91D 91Y 96S 96P 96L 96D 96Y A7C AGB AGH 95B 95H 96V 93V 98S 98P 98L 98D 98Y D1S D1P D1L D1D D1Y E1S E1P E1L E1D E1Y 61S 61P 61Y 62S 62P 62Y 69Q 8JQ 8KS 8KP 8KY 8MS 8MP 8ML 8MY 91Q 9PS 9PP 9PY 9QS 9QP 9QY 9SS 9SP 9SY AAV 52S 52P 52L 52D 52Y 52Q 53S 53P 53L 53D 53Y 54Y 6JC H1C 6JB 6JH H1B H1H DKB DKH)   | 41A9635 | 2        | Y     |
| 2      | Power Supply - Japan (225 Watt) (models CTO-A 92J 93J AKJ ALJ AMJ ANJ APJ AQJ ARJ ASJ ATJ AUJ AVJ AWJ AYJ AZJ 21J 22J 99J 9AJ 9BJ 9CJ 9DJ 9EJ 9FJ 9GJ 9HJ 9JJ 9KJ 9LJ 9MJ 9NJ 63J 64J 65J 66J 67J 68J 69J 56J 57J 58J 59J 6CJ 6DJ 6EJ 6FJ 6GJ 6HJ 5CJ 5DJ 5EJ 5FJ 5GJ 9TJ 9UJ 9VJ 9WJ DGJ DHJ DJJ 6KJ 6LJ 6MJ 6NJ 5JJ 8NJ H3J H4J DLJ DMJ JEJ JFJ JGJ JHJ JJJ JKJ JLJ)   | 41A9632 | 2        | Y     |
| 3      | DVD-ROM 16X/48X - Black-NON/VISTA (models CTO 6BG 8JQ AAV 6CJ 6DJ 6GJ 6HJ 5CJ 5DJ 9TJ 9UJ DGJ DHJ 6JC 6JB 6JH 6KJ 6MJ 6PG 5JJ H3J DLK DLJ DPK JFJ JHJ JJJ JKJ)   | 41N3325 | 1        | Y     |
| 3      | CD-RW/DVD-ROM Combo Drive 48X/32X/48X/16X Max---nonvista/vista (models CTO ABS ABP ABL ABD ABY AFS AFP AFL AFD AFY AHK B3K B4K B4R B5K B6K 95K 95R AMJ ANJ APJ AQJ AVJ AWJ AYJ AZJ AGB AGH 95B 95H 9DJ 9EJ 9FJ 9GJ E1S E1P E1L E1D E1Y A6V ACC B1G 62S 62P 62Y 65J 66J 6AK 8KS 8KP 8KY 8LK 8MS 8MP 8ML 8MY 9PS 9PP 9PY 9SS 9SP 9SY 53S 53P 53L 53D 53Y 54Y 55K 57J 58J 59J 5EJ 5HK H1C H1B H1H H2K DKB DKH E3K)  | 42Y9353 | 1        | Y     |
| 3      | DVD-RW/CD-RW Rambo 7 - SATA (models CTO 6EJ 6FJ 5FJ 5GJ 9VJ 9WJ DJJ JEJ JGJ JLJ)   | 42Y6374 | 1        | Y     |
| 3      | DVD-RW/CD-RW Rambo 7 - SATA (models CTO 6EJ 6FJ 5FJ 5GJ 9VJ 9WJ DJJ JEJ JGJ JLJ)   | 42Y6373 | 1        | Y     |
| 3      | DVD Recorder Rambo 8 - SATA (models CTO JLJ)   | 43C1042 | 1        | Y     |

| Item # | 8800 FRUs   | FRU#    | CRU Tier | RoHS? |
|--------|---|---------|----------|-------|
| 4      | Hard Disk Drive 80GB 7200 rpm Serial ATA (models CTO A1C A2S A2P A2L A2D A2Y A2C A3C A4S A4P A4L A4D A4Y A5S A5P A5L A5D A5Y A6V A8C A9S A9P A9L A9D A9Y ABS ABP ABL ABD ABY ACC AES AEP AEL AED AEY B1G 91S 91P 91L 91D 91Y 92J 93J A3K A7C AKJ ALJ AMJ ANJ ATJ AUJ AVJ AWJ 93V 98S 98P 98L 98D 98Y 99J 9AJ 9DJ 9EJ D1S D1P D1L D1D D1Y AHK 6BG 61S 61P 61Y 63J 64J 65J 66J 67J 68J 69Q 69J 8JQ 91Q 9PS 9PP 9PY 9QS 9QP 9QY AAV 52S 52P 52L 52D 52Y 52Q 56J 57J 58J 6CJ 6DJ 6EJ 6FJ 6GJ 6HJ 5CJ 5DJ 5EJ 5FJ 5GJ DGJ DJJ 6JC 6JB 6JH 6KJ 6LJ 6MJ 6NJ 5JJ 8NJ DPK JEJ JFJ JGJ JHJ) | 40Y9034 | 1        | Y     |
| 4      | Hard Disk Drive 80GB 7200 rpm Serial ATA (models CTO A1C A2S A2P A2L A2D A2Y A2C A3C A4S A4P A4L A4D A4Y A5S A5P A5L A5D A5Y A6V A8C A9S A9P A9L A9D A9Y ABS ABP ABL ABD ABY ACC AES AEP AEL AED AEY B1G 91S 91P 91L 91D 91Y 92J 93J A3K A7C AKJ ALJ AMJ ANJ ATJ AUJ AVJ AWJ 93V 98S 98P 98L 98D 98Y 99J 9AJ 9DJ 9EJ D1S D1P D1L D1D D1Y AHK 6BG 61S 61P 61Y 63J 64J 65J 66J 67J 68J 69Q 69J 8JQ 91Q 9PS 9PP 9PY 9QS 9QP 9QY AAV 52S 52P 52L 52D 52Y 52Q 56J 57J 58J 6CJ 6DJ 6EJ 6FJ 6GJ 6HJ 5CJ 5DJ 5EJ 5FJ 5GJ DGJ DJJ 6JC 6JB 6JH 6KJ 6LJ 6MJ 6NJ 5JJ 8NJ DPK JEJ JFJ JGJ JHJ) | 40Y8761 | 1        | Y     |
| 4      | Hard Disk Drive 160GB 7200 rpm Serial ATA (models CTO AFS AFP AFL AFD AFY B5K APJ AQJ ARJ ASJ AYJ AZJ 21J 22J AGB AGH 9BJ 9CJ 9FJ 9GJ 9HJ 9JJ 9KJ 9LJ E1S E1P E1L E1D E1Y 94K 94R 62S 62P 62Y 6AK 8KS 8KP 8KY 8LK 8MS 8MP 8ML 8MY 9SS 9SP 9SY 53S 53P 53L 53D 53Y 54Y 55K 59J 9TJ 9UJ 9VJ 9WJ DHJ 5HK H3J H4J DKB DKH DLK DLJ DMK DMJ JJJ JKJ JLJ)  | 40Y9035 | 1        | Y     |
| 4      | Hard Disk Drive 160GB 7200 rpm Serial ATA (models CTO AFS AFP AFL AFD AFY B5K APJ AQJ ARJ ASJ AYJ AZJ 21J 22J AGB AGH 9BJ 9CJ 9FJ 9GJ 9HJ 9JJ 9KJ 9LJ E1S E1P E1L E1D E1Y 94K 94R 62S 62P 62Y 6AK 8KS 8KP 8KY 8LK 8MS 8MP 8ML 8MY 9SS 9SP 9SY 53S 53P 53L 53D 53Y 54Y 55K 59J 9TJ 9UJ 9VJ 9WJ DHJ 5HK H3J H4J DKB DKH DLK DLJ DMK DMJ JJJ JKJ JLJ)  | 40Y8762 | 1        | Y     |
| 4      | Hard Disk Drive 250GB 7200 rpm Serial ATA (models CTO B3K B4K B4R B6K 95K 95R 96S 96P 96L 96D 96Y 97K 97R 95B 95H 96V 9MJ 9NJ H1C H1B H1H H2K E3K)  | 40Y9036 | 1        | Y     |
| 4      | Hard Disk Drive 250GB 7200 rpm Serial ATA (models CTO B3K B4K B4R B6K 95K 95R 96S 96P 96L 96D 96Y 97K 97R 95B 95H 96V 9MJ 9NJ H1C H1B H1H H2K E3K)  | 40Y8763 | 1        | Y     |
| 4      | Hard Disk Drive 500GB 7200 rpm Serial ATA (models CTO)  | 41X5582 | 1        | Y     |
| 5      | Rotating bay assembly (all models)  | 03R0285 | 2        | Y     |
| 6      | Plastic bezel kit (all models)  | 41A7718 | 1        | Y     |
| 7      | Slim Diskette Drive, 1.44 MB 3 mode (without FDD cable and bezel ) (models CTO A1C A2S A2P A2L A2D A2Y A2C A3C A4S A4P A4L A4D A4Y A5S A5P A5L A5D A5Y A6V ACC 92J 93J A3K 93V AKJ ALJ AMJ ANJ APJ AQJ ARJ ASJ ATJ AUJ AVJ AWJ AYJ AZJ 21J 22J 99J 9AJ 9BJ 9CJ 9DJ 9EJ 9FJ 9GJ 9HJ 9JJ 9KJ 9LJ 9MJ 9NJ 63J 64J 65J 66J 67J 68J 69Q 69J AAV 52S 52P 52L 52D 52Y 52Q 56J 57J 58J 59J 6CJ 6DJ 6EJ 6FJ 6GJ 6HJ 9TJ 9UJ 9VJ 9WJ 5CJ 5DJ 5EJ 5FJ 5GJ 9TJ 9UJ 9VJ 9WJ DGJ DHJ DJJ 6JC 6JB 6JH 6KJ 6LJ 6MJ 6NJ 5JJ 8NJ H3J H4J DKB DKH DLK DLJ DMK DMJ JEJ JFJ JGJ JHJ JJJ JKJ JLJ)       | 40Y9109 | 1        | Y     |

| Item # | 8800 FRUs   | FRU#    | CRU Tier | RoHS? |
|--------|---|---------|----------|-------|
| 7      | Slim Diskette Drive, 1.44 MB 3 mode (without FDD cable and bezel ) (models CTO A1C A2S A2P A2L A2D A2Y A2C A3C A4S A4P A4L A4D A4Y A5S A5P A5L A5D A5Y A6V ACC 92J 93J A3K 93V AKJ ALJ AMJ ANJ APJ AQJ ARJ ASJ ATJ AUJ AVJ AWJ AYJ AZJ 21J 22J 99J 9AJ 9BJ 9CJ 9DJ 9EJ 9FJ 9GJ 9HJ 9JJ 9KJ 9LJ 9MJ 9NJ 63J 64J 65J 66J 67J 68J 69Q 69J AAV 52S 52P 52L 52D 52Y 52Q 56J 57J 58J 59J 6CJ 6DJ 6EJ 6FJ 6GJ 6HJ 5CJ 5DJ 5EJ 5FJ 5GJ 9TJ 9UJ 9VJ 9WJ DGJ DHJ DJJ 6JC 6JB 6JH 6KJ 6LJ 6MJ 6NJ 5JJ 8NJ H3J H4J DKB DKH DLK DLJ DMK DMJ JEJ JFJ JGJ JHJ JJJ JKJ JLJ) | 40Y9111 | 1        | Y     |
| 8      | Heat Sink (all models)  | 41A7705 | 2        | Y     |
| 9      | Microprocessor, Pentium 4 3.06 GHz 533 FSB 1MB L2 (models CTO 63J 64J 65J 66J 67J 68J 6GJ 6HJ)  | 41T4104 | N        | Y     |
| 9      | Microprocessor, Pentium 4 3.0 GHz 800 FSB 1MB L2 (models CTO)   | 41T1701 | N        | Y     |
| 9      | Microprocessor, Pentium 4 3.2 GHz 800 FSB 1MB L2 (models CTO)   | 41T1702 | N        | Y     |
| 9      | Microprocessor, Pentium 4 3.0 GHz 800 FSB 2MB L2 (models CTO 6MJ 6NJ)   | 41T1712 | N        | Y     |
| 9      | Microprocessor, Pentium 4 3.2 GHz 800 FSB 2MB L2 (models CTO)   | 41T1713 | N        | Y     |
| 9      | Microprocessor, Pentium 4 3.4 GHz 800 FSB 2MB L2 (models CTO)   | 41T1714 | N        | Y     |
| 9      | Microprocessor, Pentium 4 3.6 GHz 800 FSB 2MB L2 (models CTO)   | 41T1715 | N        | Y     |
| 9      | Microprocessor, Pentium D 2.8 GHz 800 FSB 2Mx2 L2 (models CTO 62S 62P 62Y)  | 41T1704 | N        | Y     |
| 9      | Microprocessor, Pentium D 2.8 GHz 800 FSB 2Mx2 L2 (models CTO 69Q 69J 6AK)  | 41X7775 | N        | Y     |
| 9      | Microprocessor, Pentium D 3.0 GHz 800 FSB 2Mx2 L2 (models CTO 93G 5CJ 5DJ 5EJ 5FJ 5GJ 5HK 5JJ 8NJ)  | 41X2413 | N        | Y     |
| 9      | Microprocessor, Pentium D 3.0 GHz 800 FSB 2Mx2 L2 (models CTO)  | 41T1717 | N        | Y     |
| 9      | Microprocessor, Pentium D 3.2 GHz 800 FSB 2Mx2 L2 (models CTO)  | 41X8050 | N        | Y     |
| 9      | Microprocessor, Pentium D 3.4 GHz 800 FSB 2Mx2 L2 (models CTO 8JQ 8KS 8KP 8KY 8LK 8MS 8MP 8ML 8MY)  | 41X7776 | N        | Y     |
| 9      | Microprocessor, Pentium E2140 800/1600MHZ-1M, LGA, EM64T (models CTO JEJ JFJ JGJ JHJ)   | 43C1967 | N        | Y     |
| 9      | Microprocessor, Pentium E2160 800/1800MHZ-1M, LGA, EM64T (models CTO JJJ)   | 43C1968 | N        | Y     |
| 9      | Microprocessor, Pentium CONROE-L E2180 2.0GHz 800MHz FSB, 1M, EM64T (models)  | 45C1773 | N        | Y     |
| 9      | Microprocessor, Pentium CONROE-L E2220 2.4GHz 800MHz FSB, 1M, EM64T (models)  | 45C1774 | N        | Y     |
| 9      | Microprocessor, Core 2 Duo E4500 Processor 2.2GHz 800MHz FSB 2M (models)  | 43C6305 | N        | Y     |
| 9      | Microprocessor, Core 2 Duo E6300 Processor 1.86GHz 1066MHz FSB 2M L2 (models CTO 91S 91P 91L 91D 91Y 92J 93J 94K 94R 95K 95R 96S 96P 96L 96D 96Y 97K 97R 95B 95H 96V 93V 98S 98P 98L 98D 98Y 99J 9AJ 9BJ 9CJ 9DJ 9EJ 9FJ 9GJ 9HJ 9JJ 9KJ 9LJ 9MJ 9NJ 91Q 9PS 9PP 9PY 9TJ 9UJ 9VJ 9WJ DGJ DHJ DJJ H1C H1B H1H H2K H3J H4J DKB DKH DLK DLJ DMK DMJ)   | 41X2495 | N        | Y     |
| 9      | Microprocessor, Core 2 Duo E6320 1.86GHz 1066MHz FSB 4M B2 (models CTO)   | 43C3829 | N        | Y     |

| Item # | 8800 FRUs   | FRU#    | CRU Tier | RoHS? |
|--------|---|---------|----------|-------|
| 9      | Microprocessor, Core 2 Duo E6400 Processor 2.13GHz 1066MHz FSB 2M L2 (models CTO D1S D1P D1L D1D D1Y 9QS 9QP 9QY 9SS 9SP 9SY DPK)   | 41X2496 | N        | Y     |
| 9      | Microprocessor, Core 2 Duo E6420 Processor 2.13GHz 1066MHz FSB 4M B2 (models CTO)   | 43C3831 | N        | Y     |
| 9      | Microprocessor, Conroe E6600 Processor 2.40GHz 1066MHz FSB 4M L2 (models CTO E1S E1P E1L E1D E1Y)   | 41X5743 | N        | Y     |
| 9      | Microprocessor, Conroe E6700 Processor 2.67GHz 1066MHz FSB 4M L2 (models CTO)   | 41X5744 | N        | Y     |
| 9      | Microprocessor, Celeron D 2.66GHz 533MHz FSB 256KB L2 (models CTO)  | 41T1694 | N        | Y     |
| 9      | Microprocessor, Celeron D 2.80GHz 533MHz FSB 256KB L2 (models CTO A1C A2S A2P A2L A2D A2Y A2C A3C A4S A4P A4L A4D A4Y A5S A5P A5L A5D A5Y A6V A3K A7C AKJ ALJ AMJ ANJ APJ AQJ ARJ ASJ)  | 41T1695 | N        | Y     |
| 9      | Microprocessor, Celeron D 3.06GHz 533MHz FSB 256KB L2 (models CTO ACC AES AEP AEL AED AEY AFS AFP AFL AFD AFY AHK AGB AGH ATJ AUJ AVJ AWJ AYJ AZJ 21J 22J 6BG 6CJ 6DJ 6EJ 6FJ 6JC 6JB 6JH)  | 41T1697 | N        | Y     |
| 9      | Microprocessor, Celeron D 3.06GHz 533MHz FSB 512KB L2 (models CTO)  | 42Y8530 | N        | Y     |
| 9      | Microprocessor, Celeron D 3.20GHz 533MHz FSB 256KB L2 (models CTO B1G B3K B4K B4R 6PG)  | 41T1698 | N        | Y     |
| 9      | Microprocessor, Celeron D 3.20GHz 533MHz FSB 512KB L2 (models CTO 6KJ 6KL)  | 41T4966 | N        | Y     |
| 9      | Microprocessor, Celeron D 3.33GHz 533MHz FSB 512KB L2 (models CTO)  | 41T4968 | N        | Y     |
| 9      | Microprocessor, Celeron 420 800/1600MHZ-512K,LGA,EM64T A1 (models CTO)  | 43C3835 | N        | Y     |
| 9      | Microprocessor, Celeron 430 800/1800MHZ-512K,LGA,EM64T A1 (models CTO)  | 43C1964 | N        | Y     |
| 9      | Microprocessor, Celeron 440 800/1800MHZ-512K,LGA,EM64T A1 (models CTO)  | 43C1965 | N        | Y     |
| 9      | Microprocessor, Core 2 Duo E4300 1.8GHz 800MHz FSB 2M L2 (models CTO E3K)   | 42Y8009 | N        | Y     |
| 9      | Microprocessor, Core 2 Duo E4400 2.0GHz 800MHz FSB 2M L2 (models CTO JKJ JLJ)   | 43C2056 | N        | Y     |
| 10     | System Board (models A3K A7C AKJ ALJ AMJ ANJ APJ AQJ ARJ ASJ ATJ AUJ AVJ AWJ AYJ AZJ 21J 22J AGB AGH 95B 95H 96V 6BG 61S 61P 61Y 62S 62P 62Y 63J 64J 65J 66J 67J 68J 69Q 69J 6AK 8JQ 8KS 8KP 8KY 8LK 8MS 8MP 8ML 8MY 91Q 9PS 9PP 9PY 9QS 9QP 9QY 9SS 9SP 9SY AAV 52S 52P 52L 52D 52Y 52Q 53S 53P 53L 53D 53Y 54Y 55K 56J 57J 58J 59J CTO A1C A2S A2P A2L A2D A2Y A2C A3C A4S A4P A4L A4D A4Y A5S A5P A5L A5D A5Y A6V A8C A9S A9P A9L A9D A9Y ABS ABP ABL ABD ABY ACC AES AEP AEL AED AEY AFS AFP AFL AFD AFY AHK B1G B3K B4K B4R B5K B6K 91S 91P 91L 91D 91Y 94K 94R 95K 95R 96S 96P 96L 96D 96Y 97K 97R 6CJ 6DJ 6EJ 6FJ 6GJ 6HJ 5CJ 5DJ 5EJ 5FJ 5GJ 9TJ 9UJ 9VJ 9WJ 6JC 6JB 6JH 6KJ 6LJ 6MJ 6NJ 6PG 5HK 5JJ 8NJ H1C H1B H1H H2K H3J H4J JEJ JFJ JGJ JHJ) | 43C7177 | 2        | Y     |
| 10     | System Board (models CTO 92J 93J 93V 98S 98P 98L 98D 98Y 99J 9AJ 9BJ 9CJ 9DJ 9EJ 9FJ 9GJ 9HJ 9JJ 9KJ 9LJ 9MJ 9NJ D1S D1P D1L D1D D1Y E1S E1P E1L E1D E1Y DGJ DHJ DJJ DKB DKH DLK DLJ DMK DMJ DPK E3K JJJ JKJ JLJ)   | 43C7176 | 2        | Y     |
| 10     | System Board IV - Bristol GF V3.1(ASUS)(SIT-RR) (models)  | 41T1435 | 2        | Y     |
| 10     | System Board IV - Bristol IAMT V3.3(ASUS)(SIT-RR) (models)  | 41T1431 | 2        | Y     |

| Item # | 8800 FRUs   | FRU#    | CRU Tier | RoHS? |
|--------|---|---------|----------|-------|
| 10     | System Board IV - Bristol IAMT V3.3(GIGA)(GA)(No 820CPU issue) (models)   | 45C2305 | 2        | Y     |
| 11     | Memory - 512MB DDR2 SDRAM NP Memory (PC 4200) (models CTO)  | 30R5121 | 1        | Y     |
| 11     | Memory - 512MB DDR2 SDRAM NP Memory (PC 4200) (models CTO)  | 41X4251 | 1        | Y     |
| 11     | Memory - 1GB DDR2 SDRAM NP Memory (PC 4200) (models CTO)  | 30R5122 | 1        | Y     |
| 11     | Memory - 2GB DDR2 SDRAM NP Memory (PC 4200) (models CTO)  | 30R5123 | 1        | Y     |
| 11     | Memory - 512MB DDR2 SDRAM NP (PC 5300) (models 54Y 55K 56J 57J 58J 59J CTO ABS ABP ABL ABD ABY AES AEP AEL AED AEY AFS AFP AFL AFD AFY AHK B1G B3K B4K B4R B5K B6K 91S 91P 91L 91D 91Y 92J 93J 94K 94R 95K 95R 96S 96P 96L 96D 96Y A7C AKJ ALJ AMJ ANJ APJ AQJ ARJ ASJ ATJ AUJ AVJ AWJ AYJ AZJ 21J 22J AGB AGH 95B 95H 96V 93V 98S 98P 98L 98D 98Y 99J 9AJ 9BJ 9CJ 9DJ 9EJ 9FJ 9GJ 9HJ 9JJ D1S D1P D1L D1D D1Y E 6BG 61S 61P 61Y 62S 62P 62Y 63J 64J 65J 66J 67J 68J 69Q 69J 6AK 8JQ 8MS 8MP 8ML 8MY 91Q 9PS 9PP 9PY 9QS 9QP 9QY 9SS 9SP 9SY 52S 52P 52L 52D 52Y 52Q 53S 53P 53L 53D 53Y 6CJ 6DJ 6EJ 6FJ 6GJ 6HJ 5CJ 5DJ 5EJ 5FJ 5GJ 6JC 6JB 6JH 6KJ 6LJ 6MJ 6NJ 5HK 5JJ 8NJ H1C H1B H1H H2K H3J H4J DKB DKH DLK DLJ DMK DMJ DPK E3K JEJ JFJ JGJ JHJ) | 30R5125 | 1        | Y     |
| 11     | Memory - 1GB DDR2 SDRAM NP (PC 5300) (models CTO 97K 97R 9KJ 9LJ 9MJ 9NJ 8KS 8KP 8KY 8LK 9TJ 9UJ 9VJ 9WJ DGJ DHJ DJJ 6PG JKJ JLJ JJJ)   | 30R5126 | 1        | Y     |
| 11     | Memory - 1GB DDR2 SDRAM NP (PC 5300) (models CTO 97K 97R 9KJ 9LJ 9MJ 9NJ 8KS 8KP 8KY 8LK 9TJ 9UJ 9VJ 9WJ DGJ DHJ DJJ 6PG JKJ JLJ JJJ)   | 41X4252 | 1        | Y     |
| 11     | Memory - 2GB DDR2 SDRAM NP (PC 5300) (models CTO)   | 30R5127 | 1        | Y     |
| 11     | Memory - 512MB DDR2 SDRAM NP (PC 6400) (models CTO)   | 41X1079 | 1        | Y     |
| 11     | Memory - 1GB DDR2 SDRAM NP (PC 6400) (models CTO)   | 41X1080 | 1        | Y     |
| 11     | Memory - 2GB DDR2 SDRAM NP (PC 6400) (models CTO)   | 41X1081 | 1        | Y     |
| 12     | Riser card assembly (all models)  | 41A7730 | 1        | Y     |
| 13     | Speaker/cable assembly (all models)   | 39K5012 | 1        | Y     |
| 14     | Chassis (all models)  | 41A7717 | 2        | Y     |

The FRUs listed in the following table are not illustrated.

| 8800 FRUs  | FRU#    | CRU Tier | RoHS? |
|--|---------|----------|-------|
| Hard disk drive tray (all models)                | 03R0302 | 2        | Y     |
| Floor stand and vertical deflector (all models)  | 74P0404 | 2        | Y     |
| Cable, SATA 18" (all models)                     | 26K1186 | 1        | Y     |
| Cable, second serial port, 250mm HP (all models) | 42Y8007 | 1        | Y     |
| Cable, SATA Device (all models)                  | 39K5026 | 1        | Y     |
| C2 Cable (Squall) (models)                       | 39K5022 | 1        | Y     |
| Cable, PWR/LED (all models)                      | 26K1242 | 1        | Y     |
| Cable, Diskette Drive (all models)               | 26K1248 | 1        | Y     |
| Fan assembly (all models)                        | 26K1253 | 2        | Y     |
| Kensington Lock Spacer (all models)              | 41A7702 | 2        | Y     |

| 8800 FRUs   | FRU#    | CRU Tier | RoHS? |
|---|---------|----------|-------|
| Universal Adapter Bracket 5.25 to 3.5-inch (all models)               | 32P4743 | 1        | Y     |
| Retention module, tool less heat sink (all models)                    | 26K1281 | 2        | Y     |
| Shield, system board (all models)                                     | 41A7719 | 2        | Y     |
| Latch bar on cover (all models)                                       | 41R6188 | 2        | Y     |
| Internal Plastic Kit (does not include tl hardfile tray) (all models) | 26K1234 | 2        | Y     |

| 8800 Keyboards (USB Preferred - without hub)  | FRU#    | CRU Tier | RoHS? |
|---|---------|----------|-------|
| US English (models A1C A2C A3C A8C ACC B1G 94R 95R 97R A2L A4L A5L A9L ABL AEL AFL 91L 96L B4R A7C AGH 95H 98L D1L E1L 6BG 69Q 8JQ 8ML 91Q 52L 52Q 53L 6JH H1H DKH)   | 41A5289 | 1        | Y     |
| China (models 6JC H1C)  | TBD     | 1        | Y     |
| Arabic (models B1G 6BG 6PG)   | 41A5290 | 1        | Y     |
| Arabic/French (models B1G 6BG 6PG)  | 41A5291 | 1        | Y     |
| Belgian/French (models B1G 6BG 6PG)   | 41A5292 | 1        | Y     |
| Belgian/UK (models B1G 6BG 6PG)   | 41A5293 | 1        | Y     |
| Brazilian (models A2P A4P A5P A9P ABP AEP AFP 91P 96P 98P D1P E1P 61P 62P 8KP 8MP 9PP 9QP 9SP 52P 53P)  | 41A5294 | 1        | Y     |
| Bulgarian (models B1G 6BG 6PG)  | 41A5295 | 1        | Y     |
| Chinese/US (models A6V AGB 95B 96V 93V AAV 6JB H1B DKB)   | 41A5296 | 1        | Y     |
| Czech (models B1G 6BG 6PG)  | 41A5297 | 1        | Y     |
| Danish (models B1G 6BG 6PG)   | 41A5298 | 1        | Y     |
| Dutch (models B1G 6BG 6PG)  | 41A5299 | 1        | Y     |
| French (models B1G 6BG 6PG)   | 41A5300 | 1        | Y     |
| German (models B1G 6BG 6PG)   | 41A5303 | 1        | Y     |
| Greek (models B1G 6BG 6PG)  | 41A5304 | 1        | Y     |
| Greek/US (models B1G 6BG 6PG)   | 41A5305 | 1        | Y     |
| Hebrew (models B1G 6BG 6PG)   | 41A5306 | 1        | Y     |
| Hungarian (models B1G 6BG 6PG)  | 41A5307 | 1        | Y     |
| Iceland (models B1G 6BG 6PG)  | 41A5308 | 1        | Y     |
| Italian 141 (models B1G 6BG 6PG)  | 41A5309 | 1        | Y     |
| Japanese (models 92J 93J AKJ ALJ AMJ ANJ APJ AQJ ARJ ASJ ATJ AUJ AVJ AWJ AYJ AZJ 21J 22J 99J 9AJ 9BJ 9CJ 9DJ 9EJ 9FJ 9GJ 9HJ 9JJ 9KJ 9LJ 9MJ 9NJ 63J 64J 65J 66J 67J 68J 69J 56J 57J 58J 59J 6EJ 6FJ 6GJ 6HJ 5CJ 5DJ 5EJ 5FJ 5GJ 9TJ 9UJ 9VJ 9WJ DGJ DHJ DJJ 6KJ 6LJ 6MJ 6NJ 5JJ 8NJ H3J H4J DLJ DMJ JJJ JFJ JGJ JHJ JJJ JKJ JLJ) | 41A5310 | 1        | Y     |
| Korean (models AHK B3K B5K B6K 94K 95K 97K B4K A3K 6AK 8LK 55K 5HK H2K DLK DMK DPK E3K)   | 41A5311 | 1        | Y     |
| LA Spanish (models A2S A2D A2Y A4S A4D A4Y A5S A5D A5Y A9S A9D A9Y ABS ABD ABY AES AED AEY AFS AFD AFY 91S 91D 91Y 96S 96D 96Y 98S 98D 98Y D1S D1D D1Y E1S E1D E1Y 61S 61Y 62S 62Y 8KS 8KY 8MS 8MY 9PS 9PY 9QS 9QY 9SS 9SY 52S 52D 52Y 53S 53D 53Y 54Y)   | 41A5312 | 1        | Y     |
| Norwegian (models B1G 6BG 6PG)  | 41A5313 | 1        | Y     |
| Polish (models B1G 6BG 6PG)   | 41A5314 | 1        | Y     |

| <b>8800 Keyboards (USB Preferred - without hub)</b> | <b>FRU#</b> | <b>CRU Tier</b> | <b>RoHS?</b> |
|---|-------------|-----------------|--------------|
| Portuguese (models B1G 6BG 6PG)                     | 41A5315     | 1               | Y            |
| Romanian 096 (models B1G 6BG 6PG)                   | 41A5317     | 1               | Y            |
| Romanian 446 (models B1G 6BG 6PG)                   | 41A5316     | 1               | Y            |
| Russian/Cyrillic (models B1G 6BG 6PG)               | 41A5318     | 1               | Y            |
| Serbian/Cyrillic (models B1G 6BG 6PG)               | 41A5319     | 1               | Y            |
| Slovak (models B1G 6BG 6PG)                         | 41A5320     | 1               | Y            |
| Spanish (models B1G 6BG 6PG)                        | 41A5321     | 1               | Y            |
| Swedish/Finn (models B1G 6BG 6PG)                   | 41A5322     | 1               | Y            |
| Swiss (models B1G 6BG 6PG)                          | 41A5323     | 1               | Y            |
| Turkish 440 (models B1G 6BG 6PG)                    | 41A5325     | 1               | Y            |
| Turkish 179 (models B1G 6BG 6PG)                    | 41A5326     | 1               | Y            |
| UK English (models B1G 6BG 6PG)                     | 41A5327     | 1               | Y            |
| US Euro (models B1G 6BG 6PG)                        | 41A5328     | 1               | Y            |
| Slovenian (models B1G 6BG 6PG)                      | 41A5329     | 1               | Y            |

| <b>8800 Mice</b>                                      | <b>FRU#</b> | <b>CRU Tier</b> | <b>RoHS?</b> |
|---|-------------|-----------------|--------------|
| Mouse, Optical Wheel (400DPI, USB) (all models)       | 41U3013     | 1               | Y            |
| Mouse, Optical Wheel (400DPI, USB) (all models)       | 41U3030     | 1               | Y            |
| Mouse, ScrollPoint Optical (800DPI, USB) (models CTO) | 41U3019     | 1               | Y            |

| <b>8800 Wireless I/O</b>       | <b>FRU#</b> | <b>CRU Tier</b> | <b>RoHS?</b> |
|--------------------------------|-------------|-----------------|--------------|
| Wireless Keyboard (models CTO) | 41A5219     | 1               | Y            |
| Wireless Mouse (models CTO)    | 41A5247     | 1               | Y            |
| Transceiver (USB) (models CTO) | 41A5246     | 1               | Y            |

| <b>8800 Adapters and miscellaneous FRUs</b>  | <b>FRU#</b> | <b>CRU Tier</b> | <b>RoHS?</b> |
|--|-------------|-----------------|--------------|
| PCI-E DVI-DConnection Adapter (Full Height) (models CTO B4K B4R 54Y 55K)                         | 39J9334     | 1               | Y            |
| IEEE 1394 Firewire Adapter - full height (models CTO)  | 41D2781     | 1               | Y            |
| Speakers, (2-piece) (Lenovo logo) (models CTO A4S A4P A4L A4D A4Y ABS ABP ABL ABD ABY B4K)       | 41A5331     | 1               | Y            |
| Speakers, Lenovo Branded (models CTO)  | 41A5334     | 1               | Y            |
| Speaker Power brick - US, Canada, LA low voltage, ASEAN (models A4S A4L A4D A4Y ABS ABL ABD ABY) | 89P8571     | 1               | Y            |
| Speaker Power brick - Brazil (models A4P ABP)  | 89P8583     | 1               | Y            |
| Speaker Power brick - Argentina (models A4S A4L A4Y ABS ABL ABY)                                 | 41A4901     | 1               | Y            |
| Speaker Power brick - Korea (models B4K B4R)   | 41A4903     | 1               | Y            |
| Thermal grease syringe (all models)  | 91P8835     | 1               | Y            |



| 8800 Power Cords  | FRU#    | CRU Tier | RoHS? |
|---|---------|----------|-------|
| Power cord - US (models CTO-U A2S A2L A2D A4S A4L A4D A5S A5L A5D A9S A9L A9D ABS ABL ABD AES AEL AED AFS AFL AFD 91S 91L 91D 96S 96L 96D 98S 98L 98D D1S D1L D1D E1S E1L E1D 61S 62S 8KS 8MS 8ML 9PS 9QS 9SS)  | 39M5080 | 1        | Y     |
| Power cord - China (models CTO-A A1C A2C A3C A8C ACC A7C 6JC H1C)   | 39M5205 | 1        | Y     |
| Power cord - Japan (models CTO-A 92J 93J AKJ ALJ AMJ ANJ APJ AQJ ARJ ASJ ATJ AUJ AVJ AWJ AYJ AZJ 21J 22J 99J 9AJ 9BJ 9CJ 9DJ 9EJ 9FJ 9GJ 9HJ 9JJ 9KJ 9LJ 9MJ 9NJ 63J 64J 65J 66J 67J 68J 69J 6EJ 6FJ 6GJ 6HJ 5CJ 5DJ 5EJ 5FJ 5GJ 9TJ 9UJ 9VJ 9WJ DGJ DHJ DJJ 6KJ 6LJ 6MJ 6NJ 5JJ 8NJ H3J H4J DLJ DMJ JEJ JFJ JGJ JHJ JJJ JKJ JLJ) | 39M5193 | 1        | Y     |
| Power cord - Brazil (models CTO-L A2P A4P A5P A9P ABP AEP AFP 91P 96P 98P D1P E1P 61P 62P 8KP 8MP 9PP 9QP 9SP)  | 39M5232 | 1        | Y     |
| Power cord - LA High Volt (APU) (models CTO-L A2L A2Y A4L A4Y A5L A5Y A9L A9Y ABL ABY AEL AEY AFL AFY 91L 91Y 96L 96Y 98L 98Y D1L D1Y E1L E1Y 61Y 62Y 8KY 8ML 8MY 9PY 9QY 9SY)  | 39M5067 | 1        | Y     |
| Power cord - Australia/New Zealand (models CTO-A)   | 39M5102 | 1        | Y     |
| Power cord - Korea (models CTO-A AHK B3K B4K B4R B5K B6K 94K 94R 95K 95R 97K 97R A3K 6AK 8LK 5HK H2K DLK DMK DPK E3K)   | 39M5212 | 1        | Y     |
| Power cord - Hong Kong (models CTO-A AGB AGH 95B 95H 6JB 6JH H1B H1H DKB DKH)   | 39M5151 | 1        | Y     |
| Power cord - UK, Ireland, Singapore, Malaysia, Brunei (models CTO-G CTO-A B1G 6BG 6PG)  | 39M5150 | 1        | Y     |
| Power cord - Taiwan (models CTO-A A6V 96V 93V AAV)  | 39M5246 | 1        | Y     |
| Power cord - Italy (models CTO-G A2S A2L A2Y A4S A4L A4Y A5S A5L A5Y A9S A9L A9Y ABS ABL ABY AES AEL AEY AFS AFL AFY B1G 91S 91L 91Y 96S 96L 96Y 98S 98L 98Y D1S D1L D1Y E1S E1L E1Y 6BG 61S 61Y 62S 62Y 8KS 8KY 8MS 8ML 8MY 9PS 9PY 9QS 9QY 9SS 9SY 6PG)   | 39M5164 | 1        | Y     |
| Power cord - G models (models CTO-G CTO-A B1G 6BG)  | 39M5122 | 1        | Y     |
| Power cord - Denmark (models CTO-G B1G 6BG 6PG)   | 39M5129 | 1        | Y     |
| Power cord - Switzerland (models CTO-G B1G 6BG 6PG)   | 39M5157 | 1        | Y     |
| Power cord - Israel (models CTO-G B1G 6BG 6PG)  | 39M5171 | 1        | Y     |
| Power cord - South Africa (models CTO-G B1G 6BG 6PG)  | 39M5143 | 1        | Y     |
| Power cord - India (models CTO-A 69Q 8JQ 91Q)   | 39M5004 | 1        | Y     |

| 8800 Windows XP Home Recovery CDs                   | FRU#    | CRU Tier | RoHS? |
|---|---------|----------|-------|
| US/UK/AP/TH (models A4L B4R 97R AGH)                | 42Y3242 | 1        | Y     |
| SP/LA (models A4S A4D A4Y)                          | 42Y4493 | 1        | Y     |
| BR (models A4P)                                     | 42Y4495 | 1        | Y     |
| Korean (models AHK B3K B4K B5K B6K A3K 6AK 8LK 97K) | 42T8651 | 1        | Y     |
| Simplified Chinese (models A3C A7C)                 | 42T8657 | 1        | Y     |
| Hong Kong - TC (models AGB)                         | 42T8669 | 1        | Y     |

| 8800 Windows XP Pro Recovery CDs   | FRU#    | CRU Tier | RoHS? |
|--|---------|----------|-------|
| US/UK/AP/TH (models A5L A9L ABL AEL AFL B1G 91L 94R 95R 96L 95H 98L D1L E1L 6BG 69Q 8JQ 8ML 91Q 52L 52Q 53L 6PG DKH) | 42Y3236 | 1        | Y     |

| 8800 Windows XP Pro Recovery CDs  | FRU#    | CRU Tier | RoHS? |
|---|---------|----------|-------|
| RE (models B1G 6BG 6PG)   | 42Y5464 | 1        | Y     |
| FR/CF (models B1G 6BG 6PG)  | 42Y4449 | 1        | Y     |
| GR (models B1G 6BG 6PG)   | 42Y4450 | 1        | Y     |
| SP/LA (models A5S A5D A5Y A9S A9D A9Y ABS ABD ABY AES AED AEY AFS AFD AFY B1G 91S 91D 91Y 96S 96D 96Y 98S 98D 98Y D1S D1D D1Y E1S E1D E1Y 6BG 61S 61Y 62S 62Y 8KS 8KY 8MS 8MY 9PS 9PY 9QS 9QY 9SS 9SY 52S 52D 52Y 53S 53D 53Y 54Y)  | 42Y4451 | 1        | Y     |
| IT (models B1G 6BG 6PG)   | 42Y4452 | 1        | Y     |
| BR (models B1G 6BG 53P)   | 42Y4453 | 1        | Y     |
| SV (models B1G 6BG 6PG)   | 42Y4454 | 1        | Y     |
| DK (models B1G 6BG 6PG)   | 42Y4455 | 1        | Y     |
| FI (models B1G 6BG 6PG)   | 42Y5465 | 1        | Y     |
| NO (models B1G 6BG 6PG)   | 42Y5466 | 1        | Y     |
| NL (models B1G 6BG 6PG)   | 42Y5467 | 1        | Y     |
| Korea (models 94K 95K H2K DLK DMK DPK)  | 42T8621 | 1        | Y     |
| Taiwan - TC (models A6V 96V 93V AAV)  | 42T8633 | 1        | Y     |
| Hong Kong - TC (models 95B DKB)   | 42T8639 | 1        | Y     |
| Japanese (models 92J 93J AKJ ALJ AMJ ANJ APJ AQJ ARJ ASJ ATJ AUJ AVJ AWJ AYJ AZJ 21J 22J 99J 9AJ 9BJ 9CJ 9DJ 9EJ 9FJ 9GJ 9HJ 9JJ 9KJ 9LJ 9MJ 9NJ 63J 64J 65J 66J 67J 68J 69J 56J 57J 58J 59J 6EJ 6FJ 6GJ 6HJ 5CJ 5DJ 5EJ 5FJ 5GJ 9TJ 9UJ 9VJ 9WJ DGJ DHJ DJJ 6CJ 6DJ JGJ JHJ 6KJ 6LJ 6MJ 6NJ 5JJ 8NJ H3J H4J DLJ DMJ JEJ JFJ JJJ JKJ JLJ) | 42T8645 | 1        | Y     |
| HE (models B1G 6BG 6PG)   | 42Y5468 | 1        | Y     |
| PL (models B1G 6BG 6PG)   | 42Y5469 | 1        | Y     |
| CZ (models B1G 6BG 6PG)   | 42Y5470 | 1        | Y     |
| AE (models B1G 6BG 6PG)   | 42Y5471 | 1        | Y     |
| RU (models B1G 6BG 6PG)   | 42Y5472 | 1        | Y     |
| TR (models B1G 6BG 6PG)   | 42Y5473 | 1        | Y     |
| HU (models B1G 6BG 6PG)   | 42Y5474 | 1        | Y     |
| PO (models B1G 6BG 6PG)   | 42Y5475 | 1        | Y     |
| GK (models B1G 6BG 6PG)   | 42Y5476 | 1        | Y     |
| SL (models B1G 6BG 6PG)   | 42Y5477 | 1        | Y     |
| Multilingual 1 -- EN, NL, FR, GR, IT (models B1G 6BG 6PG)   | 42Y4533 | 1        | Y     |
| Multilingual 2 -- EN, DK, FI, NO, SV (models B1G 6BG 6PG)   | 42Y5626 | 1        | Y     |

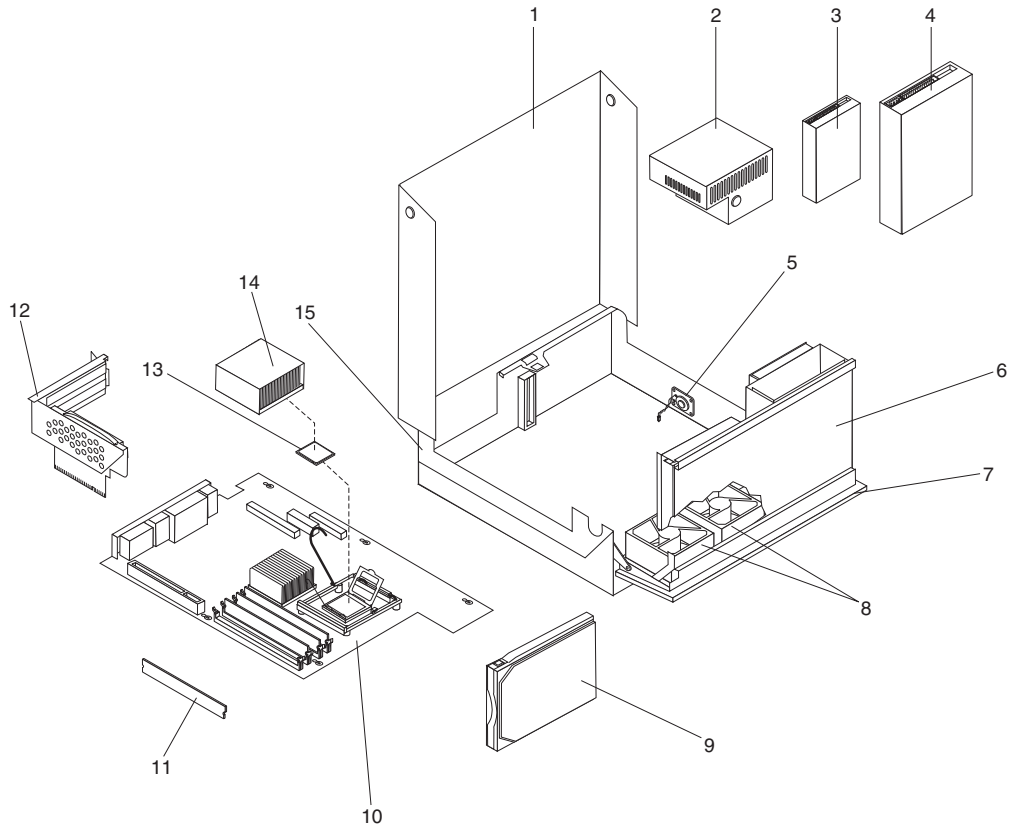
| 8800 Vista Home Basic 32 Recovery DVDs | FRU#    | CRU Tier |
|--|---------|----------|
| US/UK/AP/TH (models)                   | 43C1440 | 1        |
| FR/CF (models)                         | 43C1441 | 1        |
| GR (models)                            | 43C1442 | 1        |
| SP/LA (models)                         | 43C1443 | 1        |
| BR (models)                            | 43C1444 | 1        |
| IT (models)                            | 43C1445 | 1        |

| 8800 Vista Home Basic 32 Recovery DVDs | FRU#    | CRU Tier |
|--|---------|----------|
| JP (models)                            | 43C1446 | 1        |
| NO (models)                            | 43C1447 | 1        |
| SV (models)                            | 43C1448 | 1        |
| DK (models)                            | 43C1449 | 1        |
| NL (models)                            | 43C1450 | 1        |
| CZ (models)                            | 43C1451 | 1        |
| FI (models)                            | 43C1452 | 1        |
| PL (models)                            | 43C1453 | 1        |
| RU (models)                            | 43C1454 | 1        |
| TR (models)                            | 43C1455 | 1        |
| HU (models)                            | 43C1456 | 1        |
| GK (models)                            | 43C1457 | 1        |
| PO (models)                            | 43C1458 | 1        |
| CS (models 6JC H1C)                    | 43C1459 | 1        |
| TW (models)                            | 43C1460 | 1        |
| HK (models 6JB H1B)                    | 43C1461 | 1        |
| KR (models 5HK E3K)                    | 43C1462 | 1        |
| SL (models)                            | 43C1463 | 1        |
| RE (models)                            | 43C1464 | 1        |

| 8800 Vista Business 32 Recovery DVDs                        | FRU#    | CRU Tier |
|---|---------|----------|
| US/UK/AP/TH (models 6PG DKH)                                | 43C1390 | 1        |
| FR/CF (models 6PG)  | 43C1391 | 1        |
| GR (models 6PG)   | 43C1392 | 1        |
| SP/LA (models 6PG)  | 43C1393 | 1        |
| IT (models 6PG)   | 43C1395 | 1        |
| JP (models 6KJ 6LJ 6MJ 6NJ 5JJ 8NJ H3J H4J DLJ DMJ JEJ JFJ) | 43C1396 | 1        |
| NO (models 6PG)   | 43C1397 | 1        |
| SV (models 6PG)   | 43C1398 | 1        |
| DK (models 6PG)   | 43C1399 | 1        |
| NL (models 6PG)   | 43C1400 | 1        |
| CZ (models 6PG)   | 43C1401 | 1        |
| FI (models 6PG)   | 43C1402 | 1        |
| PL (models 6PG)   | 43C1403 | 1        |
| RU (models 6PG)   | 43C1404 | 1        |
| TR (models 6PG)   | 43C1405 | 1        |
| HU (models 6PG)   | 43C1406 | 1        |
| GK (models 6PG)   | 43C1407 | 1        |
| PO (models 6PG)   | 43C1408 | 1        |
| HK (models DKB)   | 43C1411 | 1        |
| KR (models H2K DLK DMK DPK)                                 | 43C1412 | 1        |

| 8800 Vista Business 32 Recovery DVDs | FRU#    | CRU Tier |
|--------------------------------------|---------|----------|
| SL (models 6PG)                      | 43C1413 | 1        |
| RE (models 6PG)                      | 43C1414 | 1        |

## Machine Type 8801



| Item # | 8801 FRUs   | FRU#    | CRU Tier | RoHS? |
|--------|---|---------|----------|-------|
| 1      | Top cover (models H6B H6H H6K H7B H7H E7K A3S A3P A3L A3D A3Y A5K A6S A6P A6L A6D A6Y A8S A8P A8L A8D A8Y A9K AAS AAP AAD AAL AAY AAB AAH ADG B1K B3G B4K F1K FAS FAP FAY FBS FBP FBY FCK FDK H1S H1P H1L H1D H1Y H2S H2P H2L H2D H2Y H4B H4H H5K H5R6AS 6AP 6AY 6CS 6CP 6CY 6DK 91S 91P 91L 91D 91Y 92K 92R 93V 93K 93R 94S 94P 94L 94D 94Y 95B 95H 95K 95R 96K 96R 97S 97P 97Y E1S E1P E1Y E2S E2P E2Y E3K E3R E4S E4P E4L E4Y E5S E5P E5L E5Y E6S E6P E6Y) | 41R4835 | 2        | Y     |
| 2      | Power Supply (225 Watt) (models CTO A8M A9K B1K B3G B4K 92K 92R 93K 93R 95K 95R 96K 96R ADG F1K FCK FDK 6DK E3K E3R H4K H4R H6K E7K E8K E9K)  | 41N3432 | 2        | Y     |
| 2      | Power Supply - China (225 Watt) (models CTO-A A1S A1P A1L A1D A1Y A2S A2P A2L A2D A2Y A3S A3P A3L A3D A3Y A5K A6S A6P A6L A6D A6Y A7S A7P A7L A7D A7Y A8S A8P A8L A8D A8Y AAS AAP AAL AAD AAY 91S 91P 91L 91D 91Y 94S 94P 94L 94D 94Y 93V 95B 95H AAB AAH FAS FAP FAY FBS FBP FBY 6AS 6AP 6AY 6CS 6CP 6CY 97S 97P 97Y E1S E1P E1Y E2S E2P E2Y E4S E4P E4L E4Y E5S E5P E5L E5Y E6S E6P E6Y H1S H1P H1L H1D H1Y H2S H2P H2L H2D H2Y H3B H3H H6B H6H H7B H7H)    | 41N3436 | 2        | Y     |

| Item # | 8801 FRUs  | FRU#    | CRU Tier | RoHS? |
|--------|--|---------|----------|-------|
| 2      | Power Supply - Japan (225 Watt) (models CTO-A)   | 41N3441 | 2        | Y     |
| 2      | Power Supply, 275 active PFC-WW, China, JAPAN (models ADD CTO A8M A9K B1K B3G B4K 92K 92R 93K 93R 95K 95R 96K 96R ADG F1K FCK FDK 6DK E3K E3R H4K H4R H6K E7K E8K E9K A1S A1P A1L A1D A1Y A2S A2P A2L A2D A2Y A3S A3P A3L A3D A3Y A5K A6S A6P A6L A6D A6Y A7S A7P A7L A7D A7Y A8S A8P A8L A8D A8Y AAS AAP AAL AAD AAY 91S 91P 91L 91D 91Y 94S 94P 94L 94D 94Y 93V 95B 95H AAB AAH FAS FAP FAY FBS FBP FBY 6AS 6AP 6AY 6CS 6CP 6CY 97S 97P 97Y E1S E1P E1Y E2S E2P E2Y E4S E4P E4L E4Y E5S E5P E5L E5Y E6S E6P E6Y H1S H1P H1L H1D H1Y H2S H2P H2L H2D H2Y H3B H3H H6B H6H H7B) | 41A9640 | 2        | Y     |
| 3      | Diskette drive, 3.5" 1.44MB 2-mode (models CTO A1S A1P A1L A1D A1Y A2S A2P A2L A2D A2Y A3S A3P A3L A3D A3Y)  | 40Y9107 | 1        | Y     |
| 3      | Diskette drive, 3.5" 1.44MB 2-mode (models CTO A1S A1P A1L A1D A1Y A2S A2P A2L A2D A2Y A3S A3P A3L A3D A3Y)  | 40Y9105 | 1        | Y     |
| 3      | Diskette drive, 3.5" 1.44MB 2-mode (models CTO A1S A1P A1L A1D A1Y A2S A2P A2L A2D A2Y A3S A3P A3L A3D A3Y)  | 40Y9113 | 1        | Y     |
| 4      | DVD-ROM 16X/48X - Black-NON/VISTA (models CTO B3G ADG)   | 41N3325 | 1        | Y     |
| 4      | CD-RW/DVD-ROM Combo Drive 48X/32X/48X/16X Max----nonvista/vista (models CTO A5K A7S A7P A7L A7D A7Y AAS AAP AAL AAD AAY B1K B4K 93K 93R 93V FBS FBP FBY FCK FDK 6CS 6CP 6CY 6DK 97S 97P 97Y E2S E2P E2Y E3K E3R E6S E6P E6Y AAB AAH H2S H2P H2L H2D H2Y H4K H4R H3B H3H H6B H6H H6K H7B H7H E7K E8K E9K EAK EBK ECK)   | 42Y9353 | 1        | Y     |
| 4      | DVD-RW/CD-RW Rambo 7 - SATA (models CTO 94S 94P 94L 94D 94Y 95K 95R 95B 95H E4S E4P E4L E4Y)   | 42Y6374 | 1        | Y     |
| 4      | DVD-RW/CD-RW Rambo 7 - SATA (models CTO 94S 94P 94L 94D 94Y 95K 95R 95B 95H E4S E4P E4L E4Y)   | 42Y6373 | 1        | Y     |
| 4      | DVD Recorder Rambo 8 - SATA (models CTO)   | 43C1042 | 1        | Y     |
| 5      | Speaker/cable assembly (all models)  | 39K5012 | 1        | Y     |
| 6      | Rotating cage assembly (all models)  | 41N5324 | 2        | Y     |
| 7      | Bezel Kit (all models)   | 41N5322 | 1        | Y     |
| 8      | Front fan and bracket assembly (all models)  | 39M0585 | 2        | Y     |
| 9      | Hard Disk Drive 80GB 7200 rpm Serial ATA (models CTO A1S A1P A1L A1D A1Y A2S A2P A2L A2D A2Y A3S A3P A3L A3D A3Y A5K A6S A6P A6L A6D A6Y A7S A7P A7L A7D A7Y A8S A8P A8L A8D A8Y A9K B3G 91S 91P 91L 91D 91Y ADG F1K FAS FAP FAY 6AS 6AP 6AY 97S 97P 97Y E1S E1P E1Y E5S E5P E5L E5Y H1S H1P H1L H1D H1Y H4K H4R H6B H6H H6K H7B H7H)  | 40Y9034 | 1        | Y     |
| 9      | Hard Disk Drive 80GB 7200 rpm Serial ATA (models CTO A1S A1P A1L A1D A1Y A2S A2P A2L A2D A2Y A3S A3P A3L A3D A3Y A5K A6S A6P A6L A6D A6Y A7S A7P A7L A7D A7Y A8S A8P A8L A8D A8Y A9K B3G 91S 91P 91L 91D 91Y ADG F1K FAS FAP FAY 6AS 6AP 6AY 97S 97P 97Y E1S E1P E1Y E5S E5P E5L E5Y H1S H1P H1L H1D H1Y H4K H4R H6B H6H H6K H7B H7H)  | 40Y8761 | 1        | Y     |
| 9      | Hard Disk Drive 160GB 7200 rpm Serial ATA (models CTO AAS AAP AAL AAD AAY B1K B4K 96K 96R 92K 92R AAB AAH FBS FBP FBY FCK FDK 6CS 6CP 6CY 6DK E2S E2P E2Y E3K E3R E6S E6P E6Y H2S H2P H2L H2D H2Y H3B H3H E7K EAK EBK ECK)   | 40Y9035 | 1        | Y     |

| Item # | 8801 FRUs   | FRU#    | CRU Tier | RoHS? |
|--------|---|---------|----------|-------|
| 9      | Hard Disk Drive 160GB 7200 rpm Serial ATA (models CTO AAS AAP AAL AAD AAY B1K B4K 96K 96R 92K 92R AAB AAH FBS FBP FBY FCK FDK 6CS 6CP 6CY 6DK E2S E2P E2Y E3K E3R E6S E6P E6Y H2S H2P H2L H2D H2Y H3B H3H E7K EAK EBK ECK)  | 40Y8762 | 1        | Y     |
| 9      | Hard Disk Drive 250GB 7200 rpm Serial ATA (models CTO 93K 93R 94S 94P 94L 94D 94Y 95K 95R 93V 95B 95H E4S E4P E4L E4Y E8K E9K)  | 40Y9036 | 1        | Y     |
| 9      | Hard Disk Drive 250GB 7200 rpm Serial ATA (models CTO 93K 93R 94S 94P 94L 94D 94Y 95K 95R 93V 95B 95H E4S E4P E4L E4Y E8K E9K)  | 40Y8763 | 1        | Y     |
| 9      | Hard Disk Drive 500GB 7200 rpm Serial ATA (models CTO)  | 41X5582 | 1        | Y     |
| 10     | System Board (models CTO A1S A1P A1L A1D A1Y A2S A2P A2L A2D A2Y A3S A3P A3L A3D A3Y A5K A6S A6P A6L A6D A6Y A7S A7P A7L A7D A7Y A8S A8P A8L A8D A8Y A8M A9K AAS AAP AAL AAD AAY B1K B3G B4K 91S 91P 91L 91D 91Y 92K 92R 93K 93R 94S 94P 94L 94D 94Y 95K 95R 93V 95B 95H 96K 96R AAB AAH ADG F1K FAS FAP FAY FBS FBP FBY FCK FDK 6AS 6AP 6AY 6CS 6CP 6CY 6DK 97S 97P 97Y E1S E1P E1Y E2S E2P E2Y E3K E3R E4S E4P E4L E4Y E5S E5P E5L E5Y E6S E6P E6Y H1S H1P H1L H1D H1Y H2S H2P H2L H2D H2Y H4K H4R H3B H3H H6B H6H H6K H7B H7H E7K E8K E9K EAK EBK ECK) | 43C7180 | 2        | Y     |
| 10     | System Board (models CTO A1S A1P A1L A1D A1Y A2S A2P A2L A2D A2Y A3S A3P A3L A3D A3Y A5K A6S A6P A6L A6D A6Y A7S A7P A7L A7D A7Y A8S A8P A8L A8D A8Y A8M A9K AAS AAP AAL AAD AAY B1K B3G B4K 91S 91P 91L 91D 91Y 92K 92R 93K 93R 94S 94P 94L 94D 94Y 95K 95R 93V 95B 95H 96K 96R AAB AAH ADG F1K FAS FAP FAY FBS FBP FBY FCK FDK 6AS 6AP 6AY 6CS 6CP 6CY 6DK 97S 97P 97Y E1S E1P E1Y E2S E2P E2Y E3K E3R E4S E4P E4L E4Y E5S E5P E5L E5Y E6S E6P E6Y H1S H1P H1L H1D H1Y H2S H2P H2L H2D H2Y H4K H4R H3B H3H H6B H6H H6K H7B H7H E7K E8K E9K)             | 45C0083 | 2        | Y     |
| 11     | Memory - 512MB DDR2 SDRAM NP Memory (PC 4200) (models CTO)  | 30R5121 | 1        | Y     |
| 11     | Memory - 512MB DDR2 SDRAM NP Memory (PC 4200) (models CTO)  | 41X4251 | 1        | Y     |
| 11     | Memory - 1GB DDR2 SDRAM NP Memory (PC 4200) (models CTO)  | 30R5122 | 1        | Y     |
| 11     | Memory - 2GB DDR2 SDRAM NP Memory (PC 4200) (models CTO)  | 30R5123 | 1        | Y     |
| 11     | Memory - 512MB DDR2 SDRAM NP (PC 5300) (models CTO A5K A7S A7P A7L A7D A7Y A8S A8P A8L A8D A8Y A8M A9K AAS AAP AAL AAD AAY B1K B3G B4K 91S 91P 91L 91D 91Y 92K 92R 93K 93R 94S 94P 94L 94D 94Y 93V 96K 96R AAB AAH ADG F1K FAS FAP FAY FBS FBP FBY FCK FDK 6AS 6AP 6AY 6DK 97S 97P 97Y E1S E1P E1Y E2S E2P E2Y E5S E5P E5L E5Y E6S E6P E6Y H1S H1P H1L H1D H1Y H2S H2P H2L H2D H2Y H4K H4R H3B H3H H6B H6H H6K H7B H7H E7K E8K E9K EAK)   | 30R5125 | 1        | Y     |
| 11     | Memory - 1GB DDR2 SDRAM NP (PC 5300) (models CTO 95K 95R 95B 95H 6CS 6CP 6CY E3K E3R E4S E4P E4L E4Y EBK ECK)   | 41X4252 | 1        | Y     |
| 11     | Memory - 1GB DDR2 SDRAM NP (PC 5300) (models CTO 95K 95R 95B 95H 6CS 6CP 6CY E3K E3R E4S E4P E4L E4Y EBK ECK)   | 30R5126 | 1        | Y     |
| 11     | Memory - 2GB DDR2 SDRAM NP (PC 5300) (models CTO)   | 30R5127 | 1        | Y     |
| 11     | Memory - 512MB DDR2 SDRAM NP (PC 6400) (models CTO)   | 41X1079 | 1        | Y     |
| 11     | Memory - 1GB DDR2 SDRAM NP (PC 6400) (models CTO)   | 41X1080 | 1        | Y     |
| 11     | Memory - 2GB DDR2 SDRAM NP (PC 6400) (models CTO)   | 41X1081 | 1        | Y     |
| 12     | Riser card and bracket assembly (all models)  | 39M0587 | 1        | Y     |
| 13     | Microprocessor, Pentium 4 3.06 GHz 533 FSB 1MB L2 (models CTO)  | 41T4104 | N        | Y     |

| Item # | 8801 FRUs   | FRU#    | CRU Tier | RoHS? |
|--------|---|---------|----------|-------|
| 13     | Microprocessor, Pentium 4 3.0 GHz 800 FSB 1MB L2 (models CTO)   | 41T1701 | N        | Y     |
| 13     | Microprocessor, Pentium 4 3.2 GHz 800 FSB 1MB L2 (models CTO)   | 41T1702 | N        | Y     |
| 13     | Microprocessor, Pentium 4 3.0 GHz 800 FSB 2MB L2 (models CTO)   | 41T1712 | N        | Y     |
| 13     | Microprocessor, Pentium 4 3.2 GHz 800 FSB 2MB L2 (models CTO)   | 41T1713 | N        | Y     |
| 13     | Microprocessor, Pentium 4 3.4 GHz 800 FSB 2MB L2 (models CTO)   | 41T1714 | N        | Y     |
| 13     | Microprocessor, Pentium 4 3.6 GHz 800 FSB 2MB L2 (models CTO)   | 41T1715 | N        | Y     |
| 13     | Microprocessor, Pentium D 2.8 GHz 800 FSB 2Mx2 L2 (models CTO FAS FAP FAY FBS FBP FBY FCK)  | 41X1704 | N        | Y     |
| 13     | Microprocessor, Pentium D 3.0 GHz 800 FSB 2Mx2 L2 (models CTO H1S H1P H1L H1D H1Y H2S H2P H2L H2D H2Y H4K H4R H3B H3H H6B H6H H6K H7B H7H)                                    | 41X2413 | N        | Y     |
| 13     | Microprocessor, Pentium D 3.0 GHz 800 FSB 2Mx2 L2 (models CTO)  | 41T1717 | N        | Y     |
| 13     | Microprocessor, Pentium D 3.2 GHz 800 FSB 2Mx2 L2 (models CTO E8K)  | 41X8050 | N        | Y     |
| 13     | Microprocessor, Pentium E2140 800/1600MHZ-1M, LGA, EM64T (models CTO EAK)   | 43C1967 | N        | Y     |
| 13     | Microprocessor, Pentium E2160 800/1800MHZ-1M, LGA, EM64T (models CTO EBK ECK)   | 43C1968 | N        | Y     |
| 13     | Microprocessor, Pentium CONROE-L E2180 2.0GHz 800MHz FSB, 1M, EM64T (models)  | 45C1773 | N        | Y     |
| 13     | Microprocessor, Pentium CONROE-L E2220 2.4GHz 800MHz FSB, 1M, EM64T (models)  | 45C1774 | N        | Y     |
| 13     | Microprocessor, Core 2 Duo E4500 Processor 2.2GHz 800MHz FSB 2M (models)  | 43C6305 | N        | Y     |
| 13     | Microprocessor, Conroe E6300 Processor 1.86GHz 1066MHz FSB 2M L2 (models CTO 91S 91P 91L 91D 91Y 92K 92R 93K 93R 94S 94P 94L 94D 94Y 95K 95R 93V 95B 95H 96K 96R 97S 97P 97Y) | 41X2495 | N        | Y     |
| 13     | Microprocessor, Core 2 Duo E6320 1.86GHz 1066MHz FSB 4M B2 (models CTO)   | 43C3829 | N        | Y     |
| 13     | Microprocessor, Conroe E6400 Processor 2.13GHz 1066MHz FSB 2M L2 (models CTO E1S E1P E1Y E2S E2P E2Y E3K E3R E4S E4P E4L E4Y E7K)   | 41X2496 | N        | Y     |
| 13     | Microprocessor, Core 2 Duo E6420 Processor 2.13GHz 1066MHz FSB 4M B2 (models CTO)   | 43C3831 | N        | Y     |
| 13     | Microprocessor, Pentium D 3.4 GHz 800 FSB 2Mx2 L2 (models CTO 6AS 6AP 6AY 6CS 6CP 6CY 6DK)  | 41X7776 | N        | Y     |
| 13     | Microprocessor, Conroe E6600 Processor 2.40GHz 1066MHz FSB 4M L2 (models CTO E5S E5P E5L E5Y E6S E6P E6Y)   | 41X5743 | N        | Y     |
| 13     | Microprocessor, Celeron D 2.66GHz 533MHz FSB 256KB L2 (models CTO)  | 41T1694 | N        | Y     |
| 13     | Microprocessor, Celeron D 2.80GHz 533MHz FSB 256KB L2 (models CTO A1S A1P A1L A1D A1Y A2S A2P A2L A2D A2Y A3S A3P A3L A3D A3Y A5K)  | 41T1695 | N        | Y     |
| 13     | Microprocessor, Celeron D 2.93GHz 533MHz FSB 256KB L2 (models CTO A6S A6P A6L A6D A6Y A7S A7P A7L A7D A7Y)  | 41T1696 | N        | Y     |
| 13     | Microprocessor, Celeron D 3.06GHz 533MHz FSB 256KB L2 (models CTO A8S A8P A8L A8D A8Y A8M A9K AAS AAP AAL AAD AAY AAB AAH ADG)  | 41T1697 | N        | Y     |
| 13     | Microprocessor, Celeron D 3.06GHz 533MHz FSB 512KB L2 (models CTO)  | 42Y8530 | N        | Y     |

| Item # | 8801 FRUs   | FRU#    | CRU Tier | RoHS? |
|--------|---|---------|----------|-------|
| 13     | Microprocessor, Celeron D 3.20GHz 533MHz FSB 256KB L2 (models CTO B3G)    | 41T1698 | N        | Y     |
| 13     | Microprocessor, Celeron D 3.20GHz 533MHz FSB 512KB L2 (models CTO B1K)    | 41T4966 | N        | Y     |
| 13     | Microprocessor, Celeron D 3.33GHz 533MHz FSB 512KB L2 (models CTO B4K)    | 41T4968 | N        | Y     |
| 13     | Microprocessor, Celeron 420 800/1600MHZ-512K,LGA,EM64T A1 (models CTO)    | 43C3835 | N        | Y     |
| 13     | Microprocessor, Celeron 430 800/1800MHZ-512K,LGA,EM64T A1 (models CTO)    | 43C1964 | N        | Y     |
| 13     | Microprocessor, Celeron 440 800/1800MHZ-512K,LGA,EM64T A1 (models CTO)    | 43C1965 | N        | Y     |
| 13     | Microprocessor, Core 2 Duo E4300 1.8GHz 800MHz FSB 2M L2 (models CTO E9K) | 42Y8009 | N        | Y     |
| 13     | Microprocessor, Core 2 Duo E4400 2.0GHz 800MHz FSB 2M L2 (models CTO)     | 43C2056 | N        | Y     |
| 14     | Heat Sink and Retention Module kit (all models)                           | 41A7713 | 2        | Y     |
| 15     | Mechanical base (all models)  | 41R4841 | 2        | Y     |

The FRUs listed in the following table are not illustrated.

| 8801 FRUs   | FRU#    | CRU Tier | RoHS? |
|---|---------|----------|-------|
| Hard disk drive bracket assembly (all models)                           | 39M0578 | 1        | Y     |
| Power switch/LED cable assembly (all models)                            | 39M0580 | 2        | Y     |
| SATA cable assembly (all models)  | 39K0526 | 1        | Y     |
| Optical cable, 1 drop (all models)                                      | 39M0584 | 1        | Y     |
| Intrusion switch cable (all models)                                     | 39K5022 | 1        | Y     |
| Vertical stand (all models)   | 39M0589 | 1        | Y     |
| Bezel assembly, optical rotating (all models)                           | 39M0592 | 2        | Y     |
| EMC Shield kit (diskette drive and optical bays) (all models)           | 41N5325 | 1        | Y     |
| EMC Shield, system board (all models)                                   | 41N5326 | 1        | Y     |
| Cable asm, diskette drive (all models)                                  | 41N8269 | 1        | Y     |
| Thermal sense cable (460 mm) (all models)                               | 41R2509 | 1        | Y     |
| AC-DC converter, ADP, internal enclosed assembly, 275WATTS (all models) | 41A9640 | 1        | Y     |
| Universal Adapter Bracket 5.25 to 3.5-inch (all models)                 | 32P4743 | 1        | Y     |

| 8801 Keyboards (USB Preferred - without hub)  | FRU#    | CRU Tier | RoHS? |
|---|---------|----------|-------|
| US English (models A1L A2L A3L A6L A7L A8L AAL B3G 91L 92R 93R 94L 95R 95H 96R AAH ADG E3R E4L E5L H1L H2L H4R H3H H6H H7H) | 41A5289 | 1        | Y     |
| Arabic (models B3G ADG)   | 41A5290 | 1        | Y     |
| Arabic/French (models B3G ADG)  | 41A5291 | 1        | Y     |
| Belgian/French (models B3G ADG)   | 41A5292 | 1        | Y     |



| <b>8801 Keyboards (USB Preferred - without hub)</b>   | <b>FRU#</b> | <b>CRU Tier</b> | <b>RoHS?</b> |
|---|-------------|-----------------|--------------|
| Belgian/UK (models B3G ADG)   | 41A5293     | 1               | Y            |
| Brazilian (models A1P A2P A3P A6P A7P A8P AAP 91P 94P FAP FBP 6AP 6CP 97P E1P E2P E4P E5P E6P H1P H2P)  | 41A5294     | 1               | Y            |
| Bulgarian (models B3G ADG)  | 41A5295     | 1               | Y            |
| Chinese/US (models 93V 95B AAB H3B H6B H7B)   | 41A5296     | 1               | Y            |
| Czech (models B3G ADG)  | 41A5297     | 1               | Y            |
| Danish (models B3G ADG)   | 41A5298     | 1               | Y            |
| Dutch (models B3G ADG)  | 41A5299     | 1               | Y            |
| French (models B3G ADG)   | 41A5300     | 1               | Y            |
| German (models B3G ADG)   | 41A5303     | 1               | Y            |
| Greek (models B3G ADG)  | 41A5304     | 1               | Y            |
| Greek/US (models B3G ADG)   | 41A5305     | 1               | Y            |
| Hebrew (models B3G ADG)   | 41A5306     | 1               | Y            |
| Hungarian (models B3G ADG)  | 41A5307     | 1               | Y            |
| Iceland (models B3G ADG)  | 41A5308     | 1               | Y            |
| Italian 141 (models B3G ADG)  | 41A5309     | 1               | Y            |
| Korean (models A5K A9K B1K B4K 92K 93K 95K 96K F1K FCK FDK 6DK E3K H4K H6K H7K E7K E8K E9K EAK EBK ECK)   | 41A5311     | 1               | Y            |
| LA Spanish (models A1S A1D A1Y A2S A2D A2Y A3S A3D A3Y A6S A6D A6Y A7S A7D A7Y A8S A8D A8Y AAS AAD AAY 91S 91D 91Y 94S 94D 94Y FAS FAY FBS FBY 6AS 6AY 6CS 6CY 97S 97Y E1S E1Y E2S E2Y E4S E4Y E5S E5Y E6S E6Y H1S H1D H1Y H2S H2D H2Y) | 41A5312     | 1               | Y            |
| Norwegian (models B3G ADG)  | 41A5313     | 1               | Y            |
| Polish (models B3G ADG)   | 41A5314     | 1               | Y            |
| Portuguese (models B3G ADG)   | 41A5315     | 1               | Y            |
| Romanian 096 (models B3G ADG)   | 41A5317     | 1               | Y            |
| Romanian 446 (models B3G ADG)   | 41A5316     | 1               | Y            |
| Russian/Cyrillic (models B3G ADG)   | 41A5318     | 1               | Y            |
| Serbian/Cyrillic (models B3G ADG)   | 41A5319     | 1               | Y            |
| Slovak (models B3G ADG)   | 41A5320     | 1               | Y            |
| Spanish (models B3G ADG)  | 41A5321     | 1               | Y            |
| Swedish/Finn (models B3G ADG)   | 41A5322     | 1               | Y            |
| Swiss (models B3G ADG)  | 41A5323     | 1               | Y            |
| Turkish 440 (models B3G ADG)  | 41A5325     | 1               | Y            |
| Turkish 179 (models B3G ADG)  | 41A5326     | 1               | Y            |
| UK English (models B3G ADG)   | 41A5327     | 1               | Y            |
| US Euro (models B3G ADG)  | 41A5328     | 1               | Y            |
| Slovenian (models B3G ADG)  | 41A5329     | 1               | Y            |

| <b>8801 Mice</b>                                | <b>FRU#</b> | <b>CRU Tier</b> | <b>RoHS?</b> |
|---|-------------|-----------------|--------------|
| Mouse, Optical Wheel (400DPI, USB) (all models) | 41U3013     | 1               | Y            |

| 8801 Mice   | FRU#    | CRU Tier | RoHS? |
|---|---------|----------|-------|
| Mouse, Optical Wheel (400DPI, USB) (all models)       | 41U3030 | 1        | Y     |
| Mouse, ScrollPoint Optical (800DPI, USB) (models CTO) | 41U3019 | 1        | Y     |

| 8801 Wireless I/O              | FRU#    | CRU Tier | RoHS? |
|--------------------------------|---------|----------|-------|
| Wireless Keyboard (models CTO) | 41A5219 | 1        | Y     |
| Wireless Mouse (models CTO)    | 41A5247 | 1        | Y     |
| Transceiver (USB) (models CTO) | 41A5246 | 1        | Y     |

| 8801 Adapters and miscellaneous FRUs   | FRU#    | CRU Tier | RoHS? |
|--|---------|----------|-------|
| 128MB DDR ATI Radeon x300SE (DMS59 connector) (models CTO 91S 91P 91L 91D 91Y 92K 92R 93K 93R 94S 94P 94L 94D 94Y 95K 95R 93V 95B 95H H1S H1P H1L H1D H1Y H2S H2P H2L H2D H2Y) | 39J9635 | 1        | Y     |
| PCI-E DVI-DConnection Adapter (Full Height) (models CTO E9K)   | 39J9334 | 1        | Y     |
| IEEE 1394 Firewire Adapter - full height (models CTO)  | 41D2781 | 1        | Y     |
| Speakers, (2-piece) (Lenovo logo) (models A2S A2P A2L A2D A2Y A7S A7P A7L A7D A7Y)   | 41A5331 | 1        | Y     |
| Speakers, Lenovo Branded (models CTO)  | 41A5334 | 1        | Y     |
| Speaker Power brick - US, Canada, LA low voltage, ASEAN (models A2S A2L A2D A2Y A7S A7L A7D A7Y)   | 89P8571 | 1        | Y     |
| Speaker Power brick - LA high voltage (non-APU) (models CTO)   | 89P8575 | 1        | Y     |
| Speaker Power brick - China, Thailand (models CTO)   | 89P8581 | 1        | Y     |
| Speaker Power brick - Japan (models CTO)   | 89P8577 | 1        | Y     |
| Speaker Power brick - Brazil (models A2P A7P)  | 89P8583 | 1        | Y     |
| Speaker Power brick - Argentina (models A2S A2L A2Y A7S A7L A7Y)   | 41A4901 | 1        | Y     |
| Speaker Power brick - ANZ (models CTO)   | 89P8579 | 1        | Y     |
| Speaker Power brick - Korea (models CTO)   | 41A4903 | 1        | Y     |
| Speaker Brick - Hong Kong, EMEA (models CTO)   | 89P8573 | 1        | Y     |
| Speaker Power brick - Taiwan (models CTO)  | 41A4905 | 1        | Y     |
| Speaker Power brick - India, South Africa (models CTO)   | 89P8585 | 1        | Y     |
| Thermal grease syringe (all models)  | 91P8835 | 1        | Y     |
| Nvidia GeForce 7300LE 128MB 64bit ATX/LP w/S-Video, with DMS59 (models CTO)  | 42Y8165 | 1        | Y     |
| ATI X1300LE 256M 64bit LP/ATX with DMS59 (models CTO ECK)  | 42Y8162 | 1        | Y     |
| Dongle DMS Dule DMS-59 to dual VGA cable (models CTO)  | 42Y8181 | 1        | Y     |
| Dongle DMS Dule DMS-59 to single VGA and DVI cable (models CTO)  | 42Y8183 | 1        | Y     |
| Dongle DMS Dule DMS-59 to dual DVI - I cable (models CTO)  | 41X6398 | 1        | Y     |

| <b>8801 Power Cords</b>   | <b>FRU#</b> | <b>CRU Tier</b> | <b>RoHS?</b> |
|---|-------------|-----------------|--------------|
| Power cord - US (models CTO-U A1S A1L A1D A2S A2L A2D A3S A3L A3D A6S A6L A6D A7S A7L A7D A8S A8L A8D AAS AAL AAD 91S 91L 91D 94S 94L 94D FAS FBS 6AS 6CS 97S E1S E2S E4S E4L E5S E5L E6S H1S H1L H1D H2S H2L H2D)  | 39M5080     | 1               | Y            |
| Power cord - China (models CTO-A)   | 39M5205     | 1               | Y            |
| Power cord - Japan (models CTO-A)   | 39M5193     | 1               | Y            |
| Power cord - Brazil (models CTO-L A1P A2P A3P A6P A7P A8P AAP 91P 94P FAP FBP 6AP 6CP 97P E1P E2P E4P E5P E6P H1P H2P)  | 39M5232     | 1               | Y            |
| Power cord - LA High Volt (APU) (models CTO-L A1L A1Y A2L A2Y A3L A3Y A6L A6Y A7L A7Y A8L A8Y AAL AAY 91L 91Y 94L 94Y FAY FBY 6AY 6CY 97Y E1Y E2Y E4L E4Y E5L E5Y E6Y H1L H1Y H2L H2Y)  | 39M5067     | 1               | Y            |
| Power cord - Australia/New Zealand (models CTO-A)   | 39M5102     | 1               | Y            |
| Power cord - Korea (models CTO-A A5K A9K B1K B4K 92K 92R 93K 93R 95K 95R 96K 96R F1K FCK FDK 6DK E3K E3R H4K H4R H6K H7K E7K E8K E9K EAK EBK ECK)   | 39M5212     | 1               | Y            |
| Power cord - Hong Kong (models CTO-A 95B 95H AAB AAH H3B H3H H6B H6H H7B H7H)   | 39M5151     | 1               | Y            |
| Power cord - UK, Ireland, Singapore, Malaysia, Brunei (models CTO-G CTO-A B3G ADG)  | 39M5150     | 1               | Y            |
| Power cord - Taiwan (models CTO-A 93V)  | 39M5246     | 1               | Y            |
| Power cord - Italy/Chile (models CTO-G A1S A1L A1Y A2S A2L A2Y A3S A3L A3Y A6S A6L A6Y A7S A7L A7Y A8S A8L A8Y AAS AAL AAY B3G 91S 91L 91Y 94S 94L 94Y ADG FAS FAY FBS FBY 6AS 6AY 6CS 6CY 97S 97Y E1S E1Y E2S E2Y E4S E4L E4Y E5S E5L E5Y E6S E6Y H1S H1L H1Y H2S H2L H2Y) | 39M5164     | 1               | Y            |
| Power cord - G models (models CTO-G CTO-A B3GADG)   | 39M5122     | 1               | Y            |
| Power cord - Denmark (models CTO-G B3G ADG)   | 39M5129     | 1               | Y            |
| Power cord - Switzerland (models CTO-G B3G ADG)   | 39M5157     | 1               | Y            |
| Power cord - Israel (models CTO-G B3G ADG)  | 39M5171     | 1               | Y            |
| Power cord - South Africa (models CTO-G B3G ADG)  | 39M5143     | 1               | Y            |
| Power cord - India (models CTO-A)   | 39M5004     | 1               | Y            |

| <b>8801 Windows XP Home Recovery CDs</b>                                    | <b>FRU#</b> | <b>CRU Tier</b> | <b>RoHS?</b> |
|---|-------------|-----------------|--------------|
| US/UK/AP/TH (models A2L A7L 93R 95R 95H 96R E3R H4R)                        | 42Y3242     | 1               | Y            |
| SP/LA (models A2S A2D A2Y A7S A7D A7Y)                                      | 42Y4493     | 1               | Y            |
| BR (models A2P A7P)   | 42Y4495     | 1               | Y            |
| Korean (models A5K A9K B1K B4K 93K 95K 96K F1K FCK FDK 6DK E3K H4K EAK EBK) | 42T8651     | 1               | Y            |
| Taiwan (models 93V)   | 42T8663     | 1               | Y            |
| Hong Kong - TC (models 95B)   | 42T8669     | 1               | Y            |

| <b>8801 Windows XP Pro Recovery CDs</b>  | <b>FRU#</b> | <b>CRU Tier</b> | <b>RoHS?</b> |
|--|-------------|-----------------|--------------|
| US/UK/AP/TH (models A3L A6L A8L AAL B3G 91L 92R 94L AAH ADG E4L E5L H1L H2L H7H) | 42Y3236     | 1               | Y            |

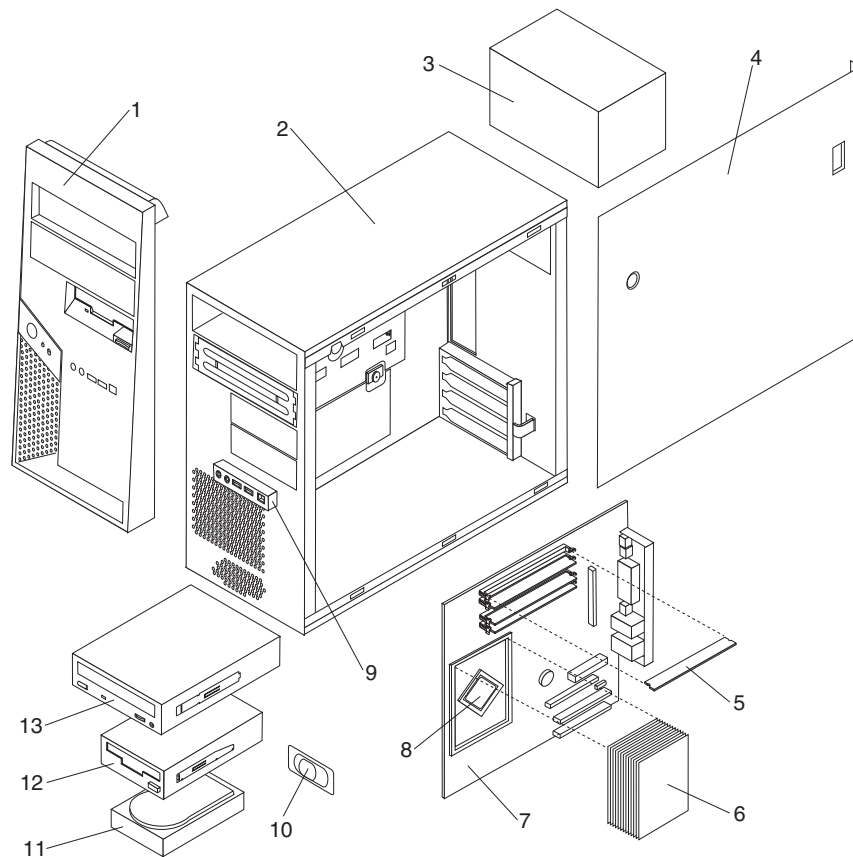
| 8801 Windows XP Pro Recovery CDs   | FRU#    | CRU Tier | RoHS? |
|--|---------|----------|-------|
| RE (models B3G ADG)  | 42Y5464 | 1        | Y     |
| FR/CF (models B3G ADG)   | 42Y4449 | 1        | Y     |
| GR (models B3G ADG)  | 42Y4450 | 1        | Y     |
| SP/LA (models A3S A3D A3Y A6S A6D A6Y A8S A8D A8Y AAS AAD AAY B3G 91S 91D 91Y 94S 94D 94Y ADG FAS FAY FBS FBY 6AS 6AY 6CS 6CY 97S 97Y E1S E1Y E2S E2Y E4S E4Y E5S E5Y E6S E6Y H1S H1D H1Y H2S H2D H2Y) | 42Y4451 | 1        | Y     |
| IT (models B3G ADG)  | 42Y4452 | 1        | Y     |
| BR (models B3G ADG H2P)  | 42Y4453 | 1        | Y     |
| SV (models B3G ADG)  | 42Y4454 | 1        | Y     |
| DK (models B3G ADG)  | 42Y4455 | 1        | Y     |
| FI (models B3G ADG)  | 42Y5465 | 1        | Y     |
| NO (models B3G ADG)  | 42Y5466 | 1        | Y     |
| NL (models B3G ADG)  | 42Y5467 | 1        | Y     |
| Korea (models 92K ECK)   | 42T8621 | 1        | Y     |
| Hong Kong - TC (models AAB H7B)  | 42T8639 | 1        | Y     |
| HE (models B3G ADG)  | 42Y5468 | 1        | Y     |
| PL (models B3G ADG)  | 42Y5469 | 1        | Y     |
| CZ (models B3G ADG)  | 42Y5470 | 1        | Y     |
| AE (models B3G ADG)  | 42Y5471 | 1        | Y     |
| RU (models B3G ADG)  | 42Y5472 | 1        | Y     |
| TR (models B3G ADG)  | 42Y5473 | 1        | Y     |
| HU (models B3G ADG)  | 42Y5474 | 1        | Y     |
| PO (models B3G ADG)  | 42Y5475 | 1        | Y     |
| GK (models B3G ADG)  | 42Y5476 | 1        | Y     |
| SL (models B3G ADG)  | 42Y5477 | 1        | Y     |
| Multilingual 1 -- EN, NL, FR, GR, IT (models B3G ADG)  | 42Y4533 | 1        | Y     |
| Multilingual 2 -- EN, DK, FI, NO, SV (models B3G ADG)  | 42Y5626 | 1        | Y     |

| 8801 Vista Home Basic 32 Recovery DVDs | FRU#    | CRU Tier |
|--|---------|----------|
| US/UK/AP/TH (models H6H)               | 43C1440 | 1        |
| FR/CF (models)                         | 43C1441 | 1        |
| GR (models)                            | 43C1442 | 1        |
| SP/LA (models)                         | 43C1443 | 1        |
| BR (models)                            | 43C1444 | 1        |
| IT (models)                            | 43C1445 | 1        |
| JP (models)                            | 43C1446 | 1        |
| NO (models)                            | 43C1447 | 1        |
| SV (models)                            | 43C1448 | 1        |
| DK (models)                            | 43C1449 | 1        |
| NL (models)                            | 43C1450 | 1        |
| CZ (models)                            | 43C1451 | 1        |

| 8801 Vista Home Basic 32 Recovery DVDs | FRU#    | CRU Tier |
|--|---------|----------|
| FI (models)                            | 43C1452 | 1        |
| PL (models)                            | 43C1453 | 1        |
| RU (models)                            | 43C1454 | 1        |
| TR (models)                            | 43C1455 | 1        |
| HU (models)                            | 43C1456 | 1        |
| GK (models)                            | 43C1457 | 1        |
| PO (models)                            | 43C1458 | 1        |
| CS (models)                            | 43C1459 | 1        |
| TW (models)                            | 43C1460 | 1        |
| HK (models H6B)                        | 43C1461 | 1        |
| KR (models H6K E7K E8K E9K)            | 43C1462 | 1        |
| SL (models)                            | 43C1463 | 1        |
| RE (models)                            | 43C1464 | 1        |

| 8801 Vista Business 32 Recovery DVDs | FRU#    | CRU Tier |
|--------------------------------------|---------|----------|
| US/UK/AP/TH (models H7H)             | 43C1390 | 1        |
| FR/CF (models)                       | 43C1391 | 1        |
| GR (models)                          | 43C1392 | 1        |
| SP/LA (models)                       | 43C1393 | 1        |
| BR (models)                          | 43C1394 | 1        |
| IT (models)                          | 43C1395 | 1        |
| JP (models)                          | 43C1396 | 1        |
| NO (models)                          | 43C1397 | 1        |
| SV (models)                          | 43C1398 | 1        |
| DK (models)                          | 43C1399 | 1        |
| NL (models)                          | 43C1400 | 1        |
| CZ (models)                          | 43C1401 | 1        |
| FI (models)                          | 43C1402 | 1        |
| PL (models)                          | 43C1403 | 1        |
| RU (models)                          | 43C1404 | 1        |
| TR (models)                          | 43C1405 | 1        |
| HU (models)                          | 43C1406 | 1        |
| GK (models)                          | 43C1407 | 1        |
| PO (models)                          | 43C1408 | 1        |
| CS (models)                          | 43C1409 | 1        |
| TW (models)                          | 43C1410 | 1        |
| HK (models H7B)                      | 43C1411 | 1        |
| KR (models)                          | 43C1412 | 1        |
| SL (models)                          | 43C1413 | 1        |
| RE (models)                          | 43C1414 | 1        |

## Machine Type 8802



| Item # | 8802 FRUs   | FRU#    | CRU Tier | RoHS? |
|--------|---|---------|----------|-------|
| 1      | Bezel Asm (all models)  | 41A7857 | 1        | Y     |
| 2      | Chassis Asm (all models)  | 41A7863 | N        | Y     |
| 3      | Power supply, 310 W, standard (models CTO A8K AKK AMK B1G B2K B5K 92K 92R 94K 94R APG D3K D4K 63K ANK ANR E4K 6NK 6RK)  | 41N3449 | 2        | Y     |
| 3      | Power supply, 310 W, China (models CTO-A A1C A2S A2P A2L A2D A2Y A2C A3C A4S A4P A4L A4D A4Y A5S A5P A5L A5D A5Y A7V AAC ABS ABP ABL ABD ABY ABC AES AEP AEL AED AEY AEC AFC AJS AJP AJL AJD AJY AJC ALS ALP ALL ALD ALY ALC 91S 91P 91L 91D 91Y 91C 96S 96P 96L 96D 96Y 96C ALB ALH D1S D1Y D2S D2Y D3S D3Y 61S 61Y 62S 62Y 64S 64L 64Y 91Q 6FS 6FY 6AS 6AY 6BS 6BY 6CS 6CL 6CY 6DS 6DY 6ES 6EY C9Q E2S E2P E2L E2D E2Y E2Q E3S E3P E3L E3D E3Y E4B E4H 6GS 6GY 6HS 6HY 6JS 6JY 6KS 6KY 6LS 6LY 6MS 6MY E5B E5H E6B E6H 6TB 6TH) | 41N3452 | 2        | Y     |
| 3      | Power supply, 310 W, Japan (models CTO-A 6SJ C2J C4J C8J C9J)   | 41N3456 | 2        | Y     |
| 4      | Cover (all models)  | 39M0465 | 1        | Y     |
| 5      | Memory - 512MB DDR2 SDRAM NP Memory (PC 4200) (models CTO)  | 30R5121 | 1        | Y     |
| 5      | Memory - 512MB DDR2 SDRAM NP Memory (PC 4200) (models CTO)  | 41X4251 | 1        | Y     |
| 5      | Memory - 1GB DDR2 SDRAM NP Memory (PC 4200) (models CTO)  | 30R5122 | 1        | Y     |
| 5      | Memory - 2GB DDR2 SDRAM NP Memory (PC 4200) (models CTO)  | 30R5123 | 1        | Y     |

| Item # | 8802 FRUs  | FRU#    | CRU Tier | RoHS? |
|--------|--|---------|----------|-------|
| 5      | Memory - 512MB DDR2 SDRAM NP (PC 5300) (models CTO A8K AES AEP AEL AED AEY AEC AJS AJP AJL AJD AJY AJC AKK ALS ALP ALL ALD ALY ALC AMK B1G B2K B5K 91S 91P 91L 91D 91Y 91C 92K 92R 94K 94R 96S 96P 96L 96D 96Y 96C ALB ALH APG D1S D1Y D2S D2Y D3S D3Y D3K D4K 61S 61Y 64S 64L 64Y 91Q 6FS 6FY 6AS 6AY 6BS 6BY 6DS 6DY 6ES 6EY ANK ANR E2S E2P E2L E2D E2Y E2Q E3S E3P E3L E3D E3Y E4B E4H E4K 6GS 6GY 6HS 6HY 6JS 6JY 6LS 6LY 6MS 6MY E5B E5H E6B E6H 6NK 6RK 6SJ 6TB 6TH)  | 30R5125 | 1        | Y     |
| 5      | Memory - 1GB DDR2 SDRAM NP (PC 5300) (models CTO 62S 62Y 63K 6CS 6CL 6CY 6KS 6KY)  | 41X4252 | 1        | Y     |
| 5      | Memory - 1GB DDR2 SDRAM NP (PC 5300) (models CTO 62S 62Y 63K 6CS 6CL 6CY 6KS 6KY)  | 30R5126 | 1        | Y     |
| 5      | Memory - 2GB DDR2 SDRAM NP (PC 5300) (models CTO)  | 30R5127 | 1        | Y     |
| 5      | Memory - 512MB DDR2 SDRAM NP (PC 6400) (models CTO)  | 41X1079 | 1        | Y     |
| 5      | Memory - 1GB DDR2 SDRAM NP (PC 6400) (models CTO)  | 41X1080 | 1        | Y     |
| 5      | Memory - 2GB DDR2 SDRAM NP (PC 6400) (models CTO)  | 41X1081 | 1        | Y     |
| 6      | Heat sink, aluminum (all models)   | 41A7855 | 2        | Y     |
| 7      | System board (G), (models CTO A1C A2S A2P A2L A2D A2Y A2C A3C A4S A4P A4L A4D A4Y A5S A5P A5L A5D A5Y A7V A8K AAC ABS ABP ABL ABD ABY ABC AES AEP AEL AED AEY AEC AFC AJS AJP AJL AJD AJY AJC AKK ALS ALP ALL ALD ALY ALC AMK B1G B2K B5K 91S 91P 91L 91D 91Y 91C 92K 92R 94K 94R 96S 96P 96L 96D 96Y 96C C2J C4J ALB ALH APG D1S D1Y D2S D2Y D3S D3Y D3K D4K 61S 61Y 62S 62Y 63K 64S 64L 64Y 91Q 6FS 6FY 6AS 6AY 6BS 6BY 6CS 6CL 6CY 6DS 6DY 6ES 6EY C8J C9Q C9J ANK ANR E2S E2P E2L E2D E2Y E2Q E3S E3P E3L E3D E3Y E4B E4H E4K E5B E5H E6B E6H 6NK 6RK 6SJ 6TB 6TH) | 43C7178 | 2        | Y     |
| 7      | System board (AMT), (models CTO C5J 6GS 6GY 6HS 6HY 6JS 6JY 6KS 6KY 6LS 6LY 6MS 6MY)   | 43C7179 | 2        | Y     |
| 8      | Microprocessor, Pentium 4 3.06 GHz 533 FSB 1MB L2 (models CTO)   | 41T4104 | N        | Y     |
| 8      | Microprocessor, Pentium 4 3.0 GHz 800 FSB 1MB L2 (models CTO)  | 41T1701 | N        | Y     |
| 8      | Microprocessor, Pentium 4 3.2 GHz 800 FSB 1MB L2 (models CTO)  | 41T1702 | N        | Y     |
| 8      | Microprocessor, Pentium 4 3.0 GHz 800 FSB 2MB L2 (models CTO)  | 41T1712 | N        | Y     |
| 8      | Microprocessor, Pentium 4 3.2 GHz 800 FSB 2MB L2 (models CTO)  | 41T1713 | N        | Y     |
| 8      | Microprocessor, Pentium 4 3.4 GHz 800 FSB 2MB L2 (models CTO)  | 41T1714 | N        | Y     |
| 8      | Microprocessor, Pentium 4 3.6 GHz 800 FSB 2MB L2 (models CTO)  | 41T1715 | N        | Y     |
| 8      | Microprocessor, Pentium D 2.8 GHz 800 FSB 2Mx2 L2 (models CTO D1S D1Y D2S D2Y D3S D3Y D3K)   | 41X1704 | N        | Y     |
| 8      | Microprocessor, Pentium D 2.8 GHz 800 FSB 2Mx2 L2 (models CTO C2J D4K C8J)   | 41X7775 | N        | Y     |
| 8      | Microprocessor, Pentium D 3.0 GHz 800 FSB 2Mx2 L2 (models CTO ANK ANR E2S E2P E2L E2D E2Y E2Q E3S E3P E3L E3D E3Y E4B E4H E4K E5B E5H E6B E6H)   | 41X2413 | N        | Y     |
| 8      | Microprocessor, Pentium D 3.0 GHz 800 FSB 2Mx2 L2 (models CTO)   | 41T1717 | N        | Y     |
| 8      | Microprocessor, Pentium D 3.2 GHz 800 FSB 2Mx2 L2 (models CTO)   | 41X8050 | N        | Y     |
| 8      | Microprocessor, Pentium D 3.4 GHz 800 FSB 2Mx2 L2 (models CTO 61S 61Y 62S 62Y 63K 64S 64L 64Y 6NK)   | 41X7776 | N        | Y     |

| Item # | 8802 FRUs   | FRU#    | CRU Tier | RoHS? |
|--------|---|---------|----------|-------|
| 8      | Microprocessor, Pentium E2140 800/1600MHZ-1M, LGA, EM64T (models CTO)   | 43C1967 | N        | Y     |
| 8      | Microprocessor, Pentium E2160 800/1800MHZ-1M, LGA, EM64T (models CTO)   | 43C1968 | N        | Y     |
| 8      | Microprocessor, Pentium CONROE-L E2180 2.0GHz 800MHz FSB, 1M, EM64T (models)  | 45C1773 | N        | Y     |
| 8      | Microprocessor, Pentium CONROE-L E2220 2.4GHz 800MHz FSB, 1M, EM64T (models)  | 45C1774 | N        | Y     |
| 8      | Microprocessor, Core 2 Duo E4500 Processor 2.2GHz 800MHz FSB 2M (models)  | 43C6305 | N        | Y     |
| 8      | Microprocessor, Core 2 Duo E6300 Processor 1.86GHz 1066MHz FSB 2M L2 (models CTO 91S 91P 91L 91D 91Y 91C 92K 92R 94K 94R 96S 96P 96L 96D 96Y 96C C4J C5J 6FS 6FY C9Q C9J 91Q 6GS 6GY 6TB 6TH) | 41X2495 | N        | Y     |
| 8      | Microprocessor, Core 2 Duo E6320 1.86GHz 1066MHz FSB 4M B2 (models CTO)   | 43C3829 | N        | Y     |
| 8      | Microprocessor, Core 2 Duo E6400 Processor 2.13GHz 1066MHz FSB 2M L2 (models CTO 6AS 6AY 6BS 6BY 6CS 6CL 6CY 6HS 6HY 6JS 6JY 6KS 6KY 6RK 6SJ)   | 41X2496 | N        | Y     |
| 8      | Microprocessor, Core 2 Duo E6420 Processor 2.13GHz 1066MHz FSB 4M B2 (models CTO)   | 43C3831 | N        | Y     |
| 8      | Microprocessor, Conroe E6600 Processor 2.40GHz 1066MHz FSB 4M L2 (models CTO 6DS 6DY 6ES 6EY 6LS 6LY 6MS 6MY)   | 41X5743 | N        | Y     |
| 8      | Microprocessor, Conroe E6700 Processor 2.67GHz 1066MHz FSB 4M L2 (models CTO)   | 41X5744 | N        | Y     |
| 8      | Microprocessor, Celeron D 2.66GHz 533MHz FSB 256KB L2 (models CTO)  | 41T1694 | N        | Y     |
| 8      | Microprocessor, Celeron D 2.80GHz 533MHz FSB 256KB L2 (models CTO A1C A2S A2P A2L A2D A2Y A2C A3C A4S A4P A4L A4D A4Y A5S A5P A5L A5D A5Y A7V A8K A8R A9K A9R A9B A9H)                        | 41T1695 | N        | Y     |
| 8      | Microprocessor, Celeron D 3.06GHz 533MHz FSB 256KB L2 (models CTO AFC AJS AJP AJL AJD AJY AJC AKK ALS ALP ALL ALD ALY ALC AMK ALB ALH APG ANK ANR)  | 41T1697 | N        | Y     |
| 8      | Microprocessor, Celeron D 3.06GHz 533MHz FSB 512KB L2 (models CTO)  | 42Y8530 | N        | Y     |
| 8      | Microprocessor, Celeron D 3.20GHz 533MHz FSB 256KB L2 (models CTO B1G)  | 41T1698 | N        | Y     |
| 8      | Microprocessor, Celeron D 3.20GHz 533MHz FSB 512KB L2 (models CTO B2K)  | 41T4966 | N        | Y     |
| 8      | Microprocessor, Celeron D 3.33GHz 533MHz FSB 512KB L2 (models CTO B5K)  | 41T4968 | N        | Y     |
| 8      | Microprocessor, Celeron 420 800/1600MHZ-512K,LGA,EM64T A1 (models CTO)  | 43C3835 | N        | Y     |
| 8      | Microprocessor, Celeron 430 800/1800MHZ-512K,LGA,EM64T A1 (models CTO)  | 43C1964 | N        | Y     |
| 8      | Microprocessor, Celeron 440 800/1800MHZ-512K,LGA,EM64T A1 (models CTO)  | 43C1965 | N        | Y     |
| 8      | Microprocessor, Core 2 Duo E4300 1.8GHz 800MHz FSB 2M L2 (models CTO)   | 42Y8009 | N        | Y     |
| 8      | Microprocessor, Core 2 Duo E4400 2.0GHz 800MHz FSB 2M L2 (models CTO)   | 43C2056 | N        | Y     |



| Item # | 8802 FRUs   | FRU#    | CRU Tier | RoHS? |
|--------|---|---------|----------|-------|
| 9      | Front panel card Asm (all models)   | 41A7864 | 2        | Y     |
| 10     | Speaker Asm, Soldered Terminals (models CTO A7V A8K A8R A9K A9R ADV AHV AKK AKR AMK AMR ANK ANR B2K B2R B3K B3R B4K B4R B5K B5R 81G 92K 92R 93K 93R 94K 94R 95K 95R 97K 97R)  | 39P5023 | 2        | Y     |
| 11     | Hard disk drive, 80GB, 7200RPM, Serial ATA (models CTO A1C A2S A2P A2L A2D A2Y A2C A3C A4S A4P A4L A4D A4Y A5S A5P A5L A5D A5Y A7V A8K AAC ABS ABP ABL ABD ABY ABC AES AEP AEL AED AEY AEC AFC AJS AJP AJL AJD AJY AJC AKK B1G 91S 91P 91L 91D 91Y 91C APG D1S D1Y D3S D3Y D3K 61S 61Y 91Q 6FS 6FY 6AS 6AY 6DS 6DY E2S E2P E2L E2D E2Y E2Q 6GS 6GY 6HS 6HY 6LS 6LY 6TB 6TH) | 40Y9034 | 1        | Y     |
| 11     | Hard disk drive, 80GB, 7200RPM, Serial ATA (models CTO A1C A2S A2P A2L A2D A2Y A2C A3C A4S A4P A4L A4D A4Y A5S A5P A5L A5D A5Y A7V A8K AAC ABS ABP ABL ABD ABY ABC AES AEP AEL AED AEY AEC AFC AJS AJP AJL AJD AJY AJC AKK B1G 91S 91P 91L 91D 91Y 91C APG D1S D1Y D3S D3Y D3K 61S 61Y 91Q 6FS 6FY 6AS 6AY 6DS 6DY E2S E2P E2L E2D E2Y E2Q 6GS 6GY 6HS 6HY 6LS 6LY 6TB 6TH) | 40Y8761 | 1        | Y     |
| 11     | Hard disk drive, 160GB, 7200RPM, Serial ATA (models CTO ALS ALP ALL ALD ALY ALC AMK B2K 92K 92R ALB ALH D2S D2Y D4K 62S 62Y 63K 64S 64L 64Y 6BS 6BY 6ES 6EY E3S E3P E3L E3D E3Y E4B E4H E4K 6JS 6JY 6MS 6MY E5B E5H E6B E6H 6NK 6RK)  | 40Y9035 | 1        | Y     |
| 11     | Hard disk drive, 160GB, 7200RPM, Serial ATA (models CTO ALS ALP ALL ALD ALY ALC AMK B2K 92K 92R ALB ALH D2S D2Y D4K 62S 62Y 63K 64S 64L 64Y 6BS 6BY 6ES 6EY E3S E3P E3L E3D E3Y E4B E4H E4K 6JS 6JY 6MS 6MY E5B E5H E6B E6H 6NK 6RK)  | 40Y8762 | 1        | Y     |
| 11     | Hard disk drive, 250GB, 7200RPM, Serial ATA (models CTO B5K 94K 94R 96S 96P 96L 96D 96Y 96C 6CS 6CL 6CY ANK ANR 6KS 6KY 6SJ)  | 40Y9036 | 1        | Y     |
| 11     | Hard disk drive, 250GB, 7200RPM, Serial ATA (models CTO B5K 94K 94R 96S 96P 96L 96D 96Y 96C 6CS 6CL 6CY ANK ANR 6KS 6KY 6SJ)  | 40Y8763 | 1        | Y     |
| 11     | Hard disk drive, 500GB, 7200RPM, Serial ATA (models CTO)  | 41X5582 | 1        | Y     |
| 12     | Diskette drive, 1.44MB, 3-mode, w/o bezel (models CTO A1C A2S A2P A2L A2D A2Y A2C A3C A4S A4P A4L A4D A4Y A5S A5P A5L A5D A5Y A7V ACV ADV AFC AGV AHV)  | 40Y9107 | 1        | Y     |
| 12     | Diskette drive, 1.44MB, 3-mode, w/o bezel (models CTO A1C A2S A2P A2L A2D A2Y A2C A3C A4S A4P A4L A4D A4Y A5S A5P A5L A5D A5Y A7V ACV ADV AFC AGV AHV)  | 40Y9105 | 1        | Y     |
| 12     | Diskette drive, 1.44MB, 3-mode, w/o bezel (models CTO A1C A2S A2P A2L A2D A2Y A2C A3C A4S A4P A4L A4D A4Y A5S A5P A5L A5D A5Y A7V ACV ADV AFC AGV AHV)  | 40Y9113 | 1        | Y     |
| 13     | DVD-ROM 16X/48X - Black-NON/VISTA (models CTO A7V AFC B1G APG)  | 41N3325 | 1        | Y     |
| 13     | CD-RW/DVD-ROM Combo Drive 48X/32X/48X/16X Max----nonvista/vista (models CTO AES AEP AEL AED AEY AEC ALS ALP ALL ALD ALY ALC AMK B2K B5K 94K 94R ALB ALH D2S D2Y D3S D3Y D3K D4K 62S 62Y 63K 64S 64L 64Y 6FS 6FY 6BS 6BY 6ES 6EY ANK ANR E3S E3P E3L E3D E3Y E4B E4H E4K 6GS 6GY 6JS 6JY 6MS 6MY E5B E5H E6B E6H 6NK 6RK 6TB 6TH)  | 42Y9353 | 1        | Y     |
| 13     | DVD-RW/CD-RW Rambo 7 - SATA (models CTO 96S 96P 96L 96D 96Y 96C 6CS 6CL 6CY 6JS 6JY )   | 41N3347 | 1        | Y     |
| 13     | DVD-RW/CD-RW Rambo 7 - SATA (models CTO 96S 96P 96L 96D 96Y 96C 6CS 6CL 6CY 6JS 6JY )   | 42Y6374 | 1        | Y     |

| Item # | 8802 FRUs   | FRU#    | CRU Tier | RoHS? |
|--------|---|---------|----------|-------|
| 13     | DVD-RW/CD-RW Rambo 7 - SATA (models CTO 96S 96P 96L 96D 96Y 96C 6CS 6CL 6CY 6JS 6JY ) | 42Y6373 | 1        | Y     |
| 4      | DVD Recorder Rambo 8 - SATA (models CTO)  | 43C1042 | 1        | Y     |

The FRUs listed in the following table are not illustrated.

| 8802 FRUs   | FRU#    | CRU Tier | RoHS? |
|---|---------|----------|-------|
| Cable, C2 Switch (all models)                           | 39M0458 | 1        | Y     |
| Shield, 5.25 EMC (all models)                           | 39M0460 | 1        | Y     |
| Cable, SATA (18-inch RoHs) (all models)                 | 26K1186 | 1        | Y     |
| Hard disk drive mounting bracket (all models)           | 41R6367 | 1        | Y     |
| Cable, serial (all models)                              | 39K5021 | 1        | Y     |
| EMC shield, diskette drive (all models)                 | 39M0464 | 1        | Y     |
| Cable, diskette drive (RoHs) (all models)               | 26K1184 | 1        | Y     |
| Bezel asm, diskette drive, black (all models)           | 41A7806 | 1        | Y     |
| Fan duct Asm (all models)                               | 39M0470 | 1        | Y     |
| Device retaining clips (all models)                     | 39M0473 | 2        | Y     |
| Shield, system board (all models)                       | 41A7865 | N        | Y     |
| Miscellaneous hardware kit (all models)                 | 39M0477 | 1        | Y     |
| Cable, 1394 panel mount (all models)                    | 39M0478 | 1        | Y     |
| RM kit (all models)                                     | 39K5046 | N        | Y     |
| Cable, 2 Drop IDE (models CTO)                          | 39M0516 | 1        | Y     |
| Thermal sense cable (460 mm) (all models)               | 41R2509 | 2        | Y     |
| Miscellaneous screw kit (all models)                    | 41R2477 | 2        | Y     |
| Universal Adapter Bracket 5.25 to 3.5-inch (all models) | 32P4743 | 1        | Y     |

| 8802 Keyboards (USB Preferred - without hub)  | FRU#    | CRU Tier | RoHS? |
|---|---------|----------|-------|
| US English (models A1C A2L A2C A3C A4L A5L AAC ABL ABC AEL AEC AFC AJL AJC ALL ALC B1G 91L 91C 92R 94R 96L 96C ALH APG 64L 91Q 6CL C9Q ANR E2L E2Q E3L E4H E5H E6H 6TH) | 41A5289 | 1        | Y     |
| Arabic (models B1G APG)   | 41A5290 | 1        | Y     |
| Arabic/French (models B1G APG)  | 41A5291 | 1        | Y     |
| Belgian/French (models B1G APG)   | 41A5292 | 1        | Y     |
| Belgian/UK (models B1G APG)   | 41A5293 | 1        | Y     |
| Brazilian (models A2P A4P A5P ABP AEP AJP ALP 91P 96P E2P E3P)  | 41A5294 | 1        | Y     |
| Bulgarian (models B1G APG)  | 41A5295 | 1        | Y     |
| Chinese/US (models A7V ALB E4B E5B E6B 6TB)   | 41A5296 | 1        | Y     |
| Czech (models B1G APG)  | 41A5297 | 1        | Y     |
| Danish (models B1G APG)   | 41A5298 | 1        | Y     |
| Dutch (models B1G APG)  | 41A5299 | 1        | Y     |

| <b>8802 Keyboards (USB Preferred - without hub)</b>   | <b>FRU#</b> | <b>CRU Tier</b> | <b>RoHS?</b> |
|---|-------------|-----------------|--------------|
| French (models B1G APG)   | 41A5300     | 1               | Y            |
| German (models B1G APG)   | 41A5303     | 1               | Y            |
| Greek (models B1G APG)  | 41A5304     | 1               | Y            |
| Greek/US (models B1G APG)   | 41A5305     | 1               | Y            |
| Hebrew (models B1G APG)   | 41A5306     | 1               | Y            |
| Hungarian (models B1G APG)  | 41A5307     | 1               | Y            |
| Iceland (models B1G APG)  | 41A5308     | 1               | Y            |
| Italian 141 (models B1G APG)  | 41A5309     | 1               | Y            |
| Japanese (models 6SJ)   | 41A5310     | 1               | Y            |
| Korean (models A8K A9K AKK AMK ANK B2K B3K B4K B5K 92K 93K 94K 95K 97K 84K 98K ANK E4K 6NK 6RK)   | 41A5311     | 1               | Y            |
| LA Spanish (models A2S A2D A2Y A4S A4D A4Y A5S A5D A5Y ABS ABD ABY AES AED AEY AJS AJD AJY ALS ALD ALY 91S 91D 91Y 96S 96D 96Y D1S D1Y D2S D2Y D3S D3Y 61S 61Y 62S 62Y 64S 64Y 6FS 6FY 6AS 6AY 6BS 6BY 6CS 6CY 6DS 6DY 6ES 6EY E2S E2D E2Y E3S E3D E3Y 6GS 6GY 6HS 6HY 6JS 6JY 6KS 6KY 6LS 6LY 6MS 6MY) | 41A5312     | 1               | Y            |
| Norwegian (models B1G APG)  | 41A5313     | 1               | Y            |
| Polish (models B1G APG)   | 41A5314     | 1               | Y            |
| Portuguese (models B1G APG)   | 41A5315     | 1               | Y            |
| Romanian 096 (models B1G APG)   | 41A5317     | 1               | Y            |
| Romanian 446 (models B1G APG)   | 41A5316     | 1               | Y            |
| Russian/Cyrillic (models B1G APG)   | 41A5318     | 1               | Y            |
| Serbian/Cyrillic (models B1G APG)   | 41A5319     | 1               | Y            |
| Slovak (models B1G APG)   | 41A5320     | 1               | Y            |
| Spanish (models B1G APG)  | 41A5321     | 1               | Y            |
| Swedish/Finn (models B1G APG)   | 41A5322     | 1               | Y            |
| Swiss (models B1G APG)  | 41A5323     | 1               | Y            |
| Turkish 440 (models B1G APG)  | 41A5325     | 1               | Y            |
| Turkish 179 (models B1G APG)  | 41A5326     | 1               | Y            |
| UK English (models B1G APG)   | 41A5327     | 1               | Y            |
| US Euro (models B1G APG)  | 41A5328     | 1               | Y            |
| Slovenian (models B1G APG)  | 41A5329     | 1               | Y            |

| <b>8802 mice</b>                                      | <b>FRU#</b> | <b>CRU Tier</b> | <b>RoHS?</b> |
|---|-------------|-----------------|--------------|
| Mouse, Optical Wheel (400DPI, USB) (all models)       | 41U3013     | 1               | Y            |
| Mouse, Optical Wheel (400DPI, USB) (all models)       | 41U3030     | 1               | Y            |
| Mouse, ScrollPoint Optical (800DPI, USB) (models CTO) | 41U3019     | 1               | Y            |

| <b>8802 Wireless I/O</b>       | <b>FRU#</b> | <b>CRU Tier</b> | <b>RoHS?</b> |
|--------------------------------|-------------|-----------------|--------------|
| Wireless Keyboard (models CTO) | 41A5219     | 1               | Y            |

| 8802 Wireless I/O              | FRU#    | CRU Tier | RoHS? |
|--------------------------------|---------|----------|-------|
| Wireless Mouse (models CTO)    | 41A5247 | 1        | Y     |
| Transceiver (USB) (models CTO) | 41A5246 | 1        | Y     |

| 8802 Adapters and miscellaneous FRU  | FRU#    | CRU Tier | RoHS? |
|--|---------|----------|-------|
| 256MB PCIe x16, full height (models CTO 93K 93R 94K 94R 97K 97R)   | 41T2725 | 1        | Y     |
| 128MB DDR ATI Radeon x300SE (DMS59 connector) (models CTO 91S 91P 91L 91D 91Y 91C 92K 92R 96S 96P 96L 96D 96Y 96C E2S E2P E2L E2D E2Y E2Q E3S E3P E3L E3D E3Y 6NK) | 39J9635 | 1        | Y     |
| PCI-E DVI-DConnection Adapter (Full Height) (models CTO 6NK 6RK 6SJ 6TB 6TH)   | 39J9334 | 1        | Y     |
| Nvidia GeForce 7300LE 128MB 64bit ATX/LP w/S-Video, no DVI (models CTO)  | 41X2669 | 1        | Y     |
| ATI Radeon X1300 256MB 128bit ATX VGA/S-Video/DVI (models CTO)   | 42Y8159 | 1        | Y     |
| IEEE 1394 Firewire Adapter - full height (models CTO)  | 41D2781 | 1        | Y     |
| Speakers, (2-piece) (Lenovo logo) (models A4S A4P A4L A4D A4Y AES AEP AEL AED AEY AEC)   | 41A5331 | 1        | Y     |
| Speakers, Lenovo Branded (models CTO)  | 41A5334 | 1        | Y     |
| Speaker Power brick - US, Canada, LA low voltage, ASEAN (models A4S A4L A4D A4Y AES AEL AED AEY)   | 89P8571 | 1        | Y     |
| Speaker Power brick - China, Thailand (models AEC)   | 89P8581 | 1        | Y     |
| Speaker Power brick - Brazil (models A4P AEP)  | 89P8583 | 1        | Y     |
| Speaker Power brick - Argentina (models A4S A4L A4Y AES AEL AEY)   | 41A4901 | 1        | Y     |
| Thermal grease syringe (all models)  | 91P8835 | 1        | Y     |
| Nvidia GeForce 7300LE 128MB 64bit ATX/LP w/S-Video, with DMS59 (models CTO)  | 42Y8165 | 1        | Y     |
| ATI X1300LE 256M 64bit LP/ATX with DMS59 (models CTO)  | 42Y8162 | 1        | Y     |
| Dongle DMS Dule DMS-59 to dual VGA cable (models CTO)  | 42Y8181 | 1        | Y     |
| Dongle DMS Dule DMS-59 to single VGA and DVI cable (models CTO)  | 42Y8183 | 1        | Y     |
| Dongle DMS Dule DMS-59 to dual DVI - I cable (models CTO)  | 41X6398 | 1        | Y     |

| 8802 Power Cords   | FRU#    | CRU Tier | RoHS? |
|--|---------|----------|-------|
| Power cord - US (models CTO-U A2S A2L A2D A4S A4L A4D A5S A5L A5D ABS ABL ABD AES AEL AED AJS AJL AJD ALS ALL ALD 91S 91L 91D 96S 96L 96D D1S D2S D3S 61S 62S 64S 64L 6FS 6AS 6BS 6CS 6CL 6DS 6ES E2S E2L E2D E3S E3L E3D 6GS 6HS 6JS 6KS 6LS 6MS) | 39M5080 | 1        | Y     |
| Power cord - China (models CTO-A A1C A2C A3C AAC ABC AEC AFC AJC ALC 82C 83C 91C 96C)  | 39M5205 | 1        | Y     |
| Power cord - Japan (models CTO-A C1J C2J C3J C4J 6SJ)  | 39M5193 | 1        | Y     |
| Power cord - Brazil (models CTO-L A2P A4P A5P ABP AEP AJP ALP 82P 83P 91P 96P E2P E3P)   | 39M5232 | 1        | Y     |
| Power cord - LA High Volt (APU) (models CTO-L A2L A2Y A4L A4Y A5L A5Y ABL ABY AEL AEY AJL AJY ALL ALY 91L 91Y 96L 96Y D1Y D2Y D3Y 61Y 62Y 64L 64Y 6FY 6AY 6BY 6CL 6CY 6DY 6EY E2L E2Y E3L E3Y 6GY 6HY 6JY 6KY 6LY 6MY)                             | 39M5067 | 1        | Y     |

| <b>8802 Power Cords</b>   | <b>FRU#</b> | <b>CRU Tier</b> | <b>RoHS?</b> |
|---|-------------|-----------------|--------------|
| Power cord - Australia/New Zealand (models CTO-A)   | 39M5102     | 1               | Y            |
| Power cord - Korea (models CTO-A A8K AKK AMK B2K B5K 92K 92R 94K 94R D3K D4K 63K ANK ANR E4K 6NK 6RK)   | 39M5212     | 1               | Y            |
| Power cord - Hong Kong (models CTO-A ALB ALH E4B E4H E5B E5H E6B E6H 6TB 6TH)   | 39M5151     | 1               | Y            |
| Power cord - UK, Ireland, Singapore, Malaysia, Brunei (models CTO-G CTO-A B1G APG)  | 39M5150     | 1               | Y            |
| Power cord - Taiwan (models CTO-A A7V ACV ADV AGV AHV)  | 39M5246     | 1               | Y            |
| Power cord - Italy/Chile (models CTO-G A2S A2L A2Y A4S A4L A4Y A5S A5L A5Y ABS ABL ABY AES AEL AEY AJS AJL AJY ALS ALL ALY B1G 91S 91L 91Y 96S 96L 96Y APG D1S D1Y D2S D2Y D3S D3Y 61S 61Y 62S 62Y 64S 64L 64Y 6FS 6FY 6AS 6AY 6BS 6BY 6CS 6CL 6CY 6DS 6DY 6ES 6EY E2S E2L E2Y E3S E3L E3Y 6GS 6GY 6HS 6HY 6JS 6JY 6KS 6KY 6LS 6LY 6MS 6MY) | 39M5164     | 1               | Y            |
| Power cord - G models (models CTO-G CTO-A APG B1G)  | 39M5122     | 1               | Y            |
| Power cord - Denmark (models CTO-G APG B1G)   | 39M5129     | 1               | Y            |
| Power cord - Switzerland (models CTO-G APG B1G)   | 39M5157     | 1               | Y            |
| Power cord - Israel (models CTO-G APG B1G)  | 39M5171     | 1               | Y            |
| Power cord - South Africa (models CTO-G APG B1G)  | 39M5143     | 1               | Y            |
| Power cord - India (models CTO-A 91Q C9Q E2Q)   | 39M5004     | 1               | Y            |

| <b>8802 Windows XP Home Recovery CDs</b>                    | <b>FRU#</b> | <b>CRU Tier</b> | <b>RoHS?</b> |
|---|-------------|-----------------|--------------|
| US/UK/AP/TH (models A4L AEL 94R ANR E4H)                    | 42Y3242     | 1               | Y            |
| SP/LA (models A4S A4D A4Y AES AED AEY D3S D3Y)              | 42Y4493     | 1               | Y            |
| BR (models A4P AEP)   | 42Y4495     | 1               | Y            |
| Korean (models A8K AKK AMK B2K B5K 94K D3K D4K 63K ANK E4K) | 42T8651     | 1               | Y            |
| Simplified Chinese (models A3C AEC)                         | 42T8657     | 1               | Y            |
| Hong Kong - TC (models E4B)                                 | 42T8669     | 1               | Y            |

| <b>8802 Windows XP Pro Recovery CDs</b>  | <b>FRU#</b> | <b>CRU Tier</b> | <b>RoHS?</b> |
|--|-------------|-----------------|--------------|
| US/UK/AP/TH (models A5L ABL AJL ALL B1G 91L 92R 96L ALH APG 64L 91Q 6CL E2L E2Q E3L E6H 6TH)   | 42Y3236     | 1               | Y            |
| RE (models B1G APG)  | 42Y5464     | 1               | Y            |
| FR/CF (models B1G APG)   | 42Y4449     | 1               | Y            |
| GR (models B1G APG)  | 42Y4450     | 1               | Y            |
| SP/LA (models A5S A5D A5Y ABS ABD ABY AJS AJD AJY ALS ALD ALY B1G 91S 91D 91Y 96S 96D 96Y APG D1S D1Y D2S D2Y 61S 61Y 62S 62Y 64S 64Y 6FS 6FY 6AS 6AY 6BS 6BY 6CS 6CY 6DS 6DY 6ES 6EY E2S E2D E2Y E3S E3D E3Y 6GS 6GY 6HS 6HY 6JS 6JY 6KS 6KY 6LS 6LY 6MS 6MY) | 42Y4451     | 1               | Y            |
| IT (models B1G APG)  | 42Y4452     | 1               | Y            |
| BR (models B1G APG E3P)  | 42Y4453     | 1               | Y            |
| SV (models B1G APG)  | 42Y4454     | 1               | Y            |
| DK (models B1G APG)  | 42Y4455     | 1               | Y            |

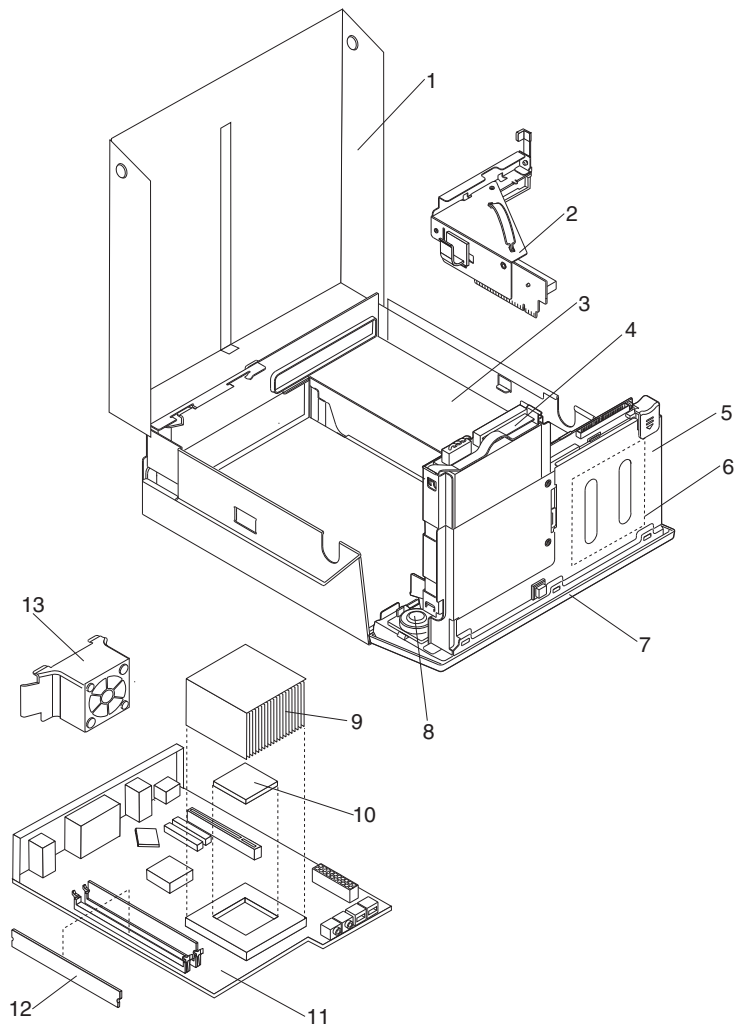
| 8802 Windows XP Pro Recovery CDs                      | FRU#    | CRU Tier | RoHS? |
|---|---------|----------|-------|
| FI (models B1G APG)                                   | 42Y5465 | 1        | Y     |
| NO (models B1G APG)                                   | 42Y5466 | 1        | Y     |
| NL (models B1G APG)                                   | 42Y5467 | 1        | Y     |
| Korea (models 92K 6RK)                                | 42T8621 | 1        | Y     |
| Simplified Chinese (models ABC AJC ALC 91C 96C)       | 42T8627 | 1        | Y     |
| Taiwan - TC (models A7V)                              | 42T8633 | 1        | Y     |
| Hong Kong - TC (models ALB E6B 6TB)                   | 42T8639 | 1        | Y     |
| Japan (models 6SJ)                                    |         |          |       |
| HE (models B1G APG)                                   | 42Y5468 | 1        | Y     |
| PL (models B1G APG)                                   | 42Y5469 | 1        | Y     |
| CZ (models B1G APG)                                   | 42Y5470 | 1        | Y     |
| AE (models B1G APG)                                   | 42Y5471 | 1        | Y     |
| RU (models B1G APG)                                   | 42Y5472 | 1        | Y     |
| TR (models B1G APG)                                   | 42Y5473 | 1        | Y     |
| HU (models B1G APG)                                   | 42Y5474 | 1        | Y     |
| PO (models B1G APG)                                   | 42Y5475 | 1        | Y     |
| GK (models B1G APG)                                   | 42Y5476 | 1        | Y     |
| SL (models B1G APG)                                   | 42Y5477 | 1        | Y     |
| Multilingual 1 -- EN, NL, FR, GR, IT (models B1G APG) | 42Y4533 | 1        | Y     |
| Multilingual 2 -- EN, DK, FI, NO, SV (models B1G APG) | 42Y5626 | 1        | Y     |

| 8802 Vista Home Basic 32 Recovery DVDs | FRU#    | CRU Tier |
|--|---------|----------|
| US/UK/AP/TH (models E5H)               | 43C1440 | 1        |
| FR/CF (models)                         | 43C1441 | 1        |
| GR (models)                            | 43C1442 | 1        |
| SP/LA (models)                         | 43C1443 | 1        |
| BR (models)                            | 43C1444 | 1        |
| IT (models)                            | 43C1445 | 1        |
| JP (models)                            | 43C1446 | 1        |
| NO (models)                            | 43C1447 | 1        |
| SV (models)                            | 43C1448 | 1        |
| DK (models)                            | 43C1449 | 1        |
| NL (models)                            | 43C1450 | 1        |
| CZ (models)                            | 43C1451 | 1        |
| FI (models)                            | 43C1452 | 1        |
| PL (models)                            | 43C1453 | 1        |
| RU (models)                            | 43C1454 | 1        |
| TR (models)                            | 43C1455 | 1        |
| HU (models)                            | 43C1456 | 1        |
| GK (models)                            | 43C1457 | 1        |

| 8802 Vista Home Basic 32 Recovery DVDs | FRU#    | CRU Tier |
|--|---------|----------|
| PO (models)                            | 43C1458 | 1        |
| CS (models)                            | 43C1459 | 1        |
| TW (models)                            | 43C1460 | 1        |
| HK (models E5B)                        | 43C1461 | 1        |
| KR (models 6NK)                        | 43C1462 | 1        |
| SL (models)                            | 43C1463 | 1        |
| RE (models)                            | 43C1464 | 1        |

| 8802 Vista Business 32 Recovery DVDs | FRU#    | CRU Tier |
|--------------------------------------|---------|----------|
| US/UK/AP/TH (models E6H 6TH)         | 43C1390 | 1        |
| FR/CF (models)                       | 43C1391 | 1        |
| GR (models)                          | 43C1392 | 1        |
| SP/LA (models)                       | 43C1393 | 1        |
| BR (models)                          | 43C1394 | 1        |
| IT (models)                          | 43C1395 | 1        |
| JP (models 6SJ)                      | 43C1396 | 1        |
| NO (models)                          | 43C1397 | 1        |
| SV (models)                          | 43C1398 | 1        |
| DK (models)                          | 43C1399 | 1        |
| NL (models)                          | 43C1400 | 1        |
| CZ (models)                          | 43C1401 | 1        |
| FI (models)                          | 43C1402 | 1        |
| PL (models)                          | 43C1403 | 1        |
| RU (models)                          | 43C1404 | 1        |
| TR (models)                          | 43C1405 | 1        |
| HU (models)                          | 43C1406 | 1        |
| GK (models)                          | 43C1407 | 1        |
| PO (models)                          | 43C1408 | 1        |
| CS (models)                          | 43C1409 | 1        |
| TW (models)                          | 43C1410 | 1        |
| HK (models E6B 6TB)                  | 43C1411 | 1        |
| KR (models 6RK)                      | 43C1412 | 1        |
| SL (models)                          | 43C1413 | 1        |
| RE (models)                          | 43C1414 | 1        |

# Machine Type 8803



| Item # | 8803 FRUs   | FRU#    | CRU Tier | RoHS? |
|--------|---|---------|----------|-------|
| 1      | Top Cover (all models)  | 89P6782 | 1        | Y     |
| 2      | Pocono Interposol Card (all models)   | 41R2902 | 1        | Y     |
| 2      | Riser Card Bracket Asm, Flippable PCI and PCIX/DVI, RoHS (all models)   | 39M0618 | 1        | Y     |
| 2      | PCI Riser Card Bracket Asm (all models)   | 41N8276 | 1        | Y     |
| 3      | 225 Watt Power Supply (active PFC) - WW (all models)  | 41N3105 | 2        | Y     |
| 3      | 225 Watt Power Supply (active PFC) - WW (models)  | 41A9735 | N        | Y     |
| 4      | Hard disk drive 80GB 7200rpm Serial ATA, (models CTO B1G 91A 91T A5J A6J A7J A8J A9J AAJ AKJ ALJ AMJ ANJ APJ AQJ B1B B1H 83J 86J 87J 88J 89J 91B 91H 6HG 6HB 6HH 61J 62J 63J 64J 65J 66J 6AA 6AT 9BQ 9CA 9CQ 9CT 9CB 9CH A1Q A3V 8LG 8LQ 8LC 8LB 8LH 8MJ 6JJ 6KJ 6BJ 6CJ 6DJ 6EJ 6FJ 6GJ 9KA 9KT DFG) | 40Y9034 | 1        | Y     |
| 4      | Hard disk drive 80GB 7200rpm Serial ATA, (models CTO B1G 91A 91T A5J A6J A7J A8J A9J AAJ AKJ ALJ AMJ ANJ APJ AQJ B1B B1H 83J 86J 87J 88J 89J 91B 91H 6HG 6HB 6HH 61J 62J 63J 64J 65J 66J 6AA 6AT 9BQ 9CA 9CQ 9CT 9CB 9CH A1Q A3V 8LG 8LQ 8LC 8LB 8LH 8MJ 6JJ 6KJ 6BJ 6CJ 6DJ 6EJ 6FJ 6GJ 9KA 9KT DFG) | 40Y8761 | 1        | Y     |



| Item # | 8803 FRUs  | FRU#    | CRU Tier | RoHS? |
|--------|--|---------|----------|-------|
| 4      | Hard disk drive 160GB 7200rpm Serial ATA (models CTO ABJ ACJ ADJ AEJ AFJ AGJ AHJ AJJ ARJ ASJ ATJ AUJ AVJ AWJ AYJ AZJ 84J 85J 8AJ 8BJ 8CJ 8DJ 8EJ 8FJ 8GJ 8HJ 8JJ 8KJ 92J 93J 96J 97J D1J D2J D5J D6J 9AC 9AB 9AH 9AJ 8NJ 8PJ 8QJ 8RJ 9DJ 9EJ 9FJ 9GJ 9HB 9HH 9HJ DEJ)  | 40Y9035 | 1        | Y     |
| 4      | Hard disk drive 160GB 7200rpm Serial ATA (models CTO ABJ ACJ ADJ AEJ AFJ AGJ AHJ AJJ ARJ ASJ ATJ AUJ AVJ AWJ AYJ AZJ 84J 85J 8AJ 8BJ 8CJ 8DJ 8EJ 8FJ 8GJ 8HJ 8JJ 8KJ 92J 93J 96J 97J D1J D2J D5J D6J 9AC 9AB 9AH 9AJ 8NJ 8PJ 8QJ 8RJ 9DJ 9EJ 9FJ 9GJ 9HB 9HH 9HJ DEJ)  | 40Y8762 | 1        | Y     |
| 4      | Hard disk drive 250GB 7200rpm Serial ATA (models CTO 94J 95J 98J 99J D3J D4J D7J D8J)  | 40Y9036 | 1        | Y     |
| 4      | Hard disk drive 250GB 7200rpm Serial ATA (models CTO 94J 95J 98J 99J D3J D4J D7J D8J)  | 40Y8763 | 1        | Y     |
| 4      | Hard disk drive 500GB 7200rpm Serial ATA (models CTO)  | 41X5582 | 1        | Y     |
| 5      | Front Rotating Cage assembly (all models)  | 41N5315 | 2        | Y     |
| 6      | CD-RW/DVD-ROM Combo Drive 48X/32X/48X/16X Max--vista and nonvista (models CTO 91A 91T A7J A8J A9J AAJ ABJ ACJ ADJ AEJ AMJ ANJ APJ AQJ ARJ ASJ ATJ AUJ 86J 87J 88J 89J 8AJ 8BJ 8CJ 8DJ 91B 91H B1G B1B B1H 63J 64J 6AA 6AT 6HG 6HB 6HH 9BQ 9CA 9CQ 9CT 9CB 9CH A3V 8LG 8LQ 8LC 8LB 8LH 6BJ 6CJ 8NJ 8PJ 9DJ 9EJ 9KA 9KT DFG) | 87H4936 | 1        | Y     |
| 6      | CD-RW/DVD-ROM Combo Drive 48X/32X/48X/16X Max (models CTO 91A 91T A7J A8J A9J AAJ ABJ ACJ ADJ AEJ AMJ ANJ APJ AQJ ARJ ASJ ATJ AUJ 86J 87J 88J 89J 8AJ 8BJ 8CJ 8DJ 91B 91H B1G B1B B1H 63J 64J 6AA 6AT 6HG 6HB 6HH 9BQ 9CA 9CQ 9CT 9CB 9CH A3V 8LG 8LQ 8LC 8LB 8LH 6BJ 6CJ 8NJ 8PJ 9DJ 9EJ 9KA 9KT DFG)                     | 43C5016 | 1        | Y     |
| 6      | CD-RW/DVD-ROM Combo Drive 48X/32X/48X/16X Max-nonvista / vista (models CTO 91A 91T A7J A8J A9J AAJ ABJ ACJ ADJ AEJ AMJ ANJ APJ AQJ ARJ ASJ ATJ AUJ 86J 87J 88J 89J 8AJ 8BJ 8CJ 8DJ 91B 91H B1G B1B B1H 63J 64J 6AA 6AT 6HG 6HB 6HH 9BQ 9CA 9CQ 9CT 9CB 9CH A3V 8LG 8LQ 8LC 8LB 8LH 6BJ 6CJ 8NJ 8PJ 9DJ 9EJ 9KA 9KT DFG)    | 43C2648 | 1        | Y     |
| 6      | CD-RW/DVD-ROM Combo Drive 48X/32X/48X/16X Max-nonvista / vista (models CTO 91A 91T A7J A8J A9J AAJ ABJ ACJ ADJ AEJ AMJ ANJ APJ AQJ ARJ ASJ ATJ AUJ 86J 87J 88J 89J 8AJ 8BJ 8CJ 8DJ 91B 91H B1G B1B B1H 63J 64J 6AA 6AT 6HG 6HB 6HH 9BQ 9CA 9CQ 9CT 9CB 9CH A3V 8LG 8LQ 8LC 8LB 8LH 6BJ 6CJ 8NJ 8PJ 9DJ 9EJ 9KA 9KT DFG)    | 43C2649 | 1        | Y     |
| 6      | DVD-RW/CD-RW Rambo 5 - IDE-vista (models CTO AFJ AGJ AHJ AJJ AVJ AWJ AYJ AZJ 8EJ 8FJ 8GJ 8HJ 8JJ 8KJ 92J 93J 94J 95J 96J 97J 98J 99J D1J D2J D3J D4J D5J D6J D7J D8J 65J 66J 9AC 9AB 9AH 9AJ 6JJ 6KJ 6DJ 6EJ 9HB 9HH 9HJ DEJ)  | 87H4937 | 1        | Y     |
| 6      | DVD-RW/CD-RW Rambo 5 - IDE (models CTO AFJ AGJ AHJ AJJ AVJ AWJ AYJ AZJ 8EJ 8FJ 8GJ 8HJ 8JJ 8KJ 92J 93J 94J 95J 96J 97J 98J 99J D1J D2J D3J D4J D5J D6J D7J D8J 65J 66J 9AC 9AB 9AH 9AJ 6JJ 6KJ 6DJ 6EJ 9HB 9HH 9HJ DEJ)  | 41N3355 | 1        | Y     |
| 6      | DVD-RW/CD-RW Rambo 5 - IDE (models CTO AFJ AGJ AHJ AJJ AVJ AWJ AYJ AZJ 8EJ 8FJ 8GJ 8HJ 8JJ 8KJ 92J 93J 94J 95J 96J 97J 98J 99J D1J D2J D3J D4J D5J D6J D7J D8J 65J 66J 9AC 9AB 9AH 9AJ 6JJ 6KJ 6DJ 6EJ 9HB 9HH 9HJ DEJ)  | 43C0053 | 1        | Y     |
| 6      | DVD-RW/CD-RW Rambo 5 - IDE-vista (models CTO AFJ AGJ AHJ AJJ AVJ AWJ AYJ AZJ 8EJ 8FJ 8GJ 8HJ 8JJ 8KJ 92J 93J 94J 95J 96J 97J 98J 99J D1J D2J D3J D4J D5J D6J D7J D8J 65J 66J 9AC 9AB 9AH 9AJ 6JJ 6KJ 6DJ 6EJ 9HB 9HH 9HJ DEJ)  | 42Y3910 | 1        | Y     |
| 7      | Front Bezel (all models)   | 41N5316 | 1        | Y     |

| Item # | 8803 FRUs   | FRU#    | CRU Tier | RoHS? |
|--------|---|---------|----------|-------|
| 8      | Speaker and Cable assembly (all models)   | 39K5012 | 1        | Y     |
| 9      | Heat Sink (all models)  | 41A7711 | 2        | Y     |
| 10     | Microprocessor, Pentium 4 3.06 GHz 533 FSB 1MB L2 (models CTO 63J 64J 65J 66J 67J 68J)  | 41T4104 | N        | Y     |
| 10     | Microprocessor, Pentium 4 3.0 GHz 800 FSB 1MB L2 (models CTO 6AA 6AT)   | 41T1701 | N        | Y     |
| 10     | Microprocessor, Pentium 4 3.2 GHz 800 FSB 1MB L2 (models CTO 6BJ 6CJ 6DJ 6EJ 6FJ 6GJ)   | 41T1702 | N        | Y     |
| 10     | Microprocessor, Pentium 4 3.0 GHz 800 FSB 2MB L2 (models CTO)   | 41T1712 | N        | Y     |
| 10     | Microprocessor, Pentium 4 3.2 GHz 800 FSB 2MB L2 (models CTO)   | 41T1713 | N        | Y     |
| 10     | Microprocessor, Pentium 4 3.4 GHz 800 FSB 2MB L2 (models CTO)   | 41T1714 | N        | Y     |
| 10     | Microprocessor, Pentium 4 3.6 GHz 800 FSB 2MB L2 (models CTO)   | 41T1715 | N        | Y     |
| 10     | Microprocessor, Pentium D 2.8 GHz 800 FSB 2Mx2 L2 (models CTO)  | 41X1704 | N        | Y     |
| 10     | Microprocessor, Pentium D 2.8 GHz 800 FSB 2Mx2 L2 (models CTO 83J 84J 85J 86J 87J 88J 89J 8AJ 8BJ 8CJ 8DJ 8EJ 8FJ 8GJ 8HJ 8JJ 8KJ 8NJ 8PJ 8QJ 8RJ)                            | 41X7775 | N        | Y     |
| 10     | Microprocessor, Pentium D 3.0 GHz 800 FSB 2Mx2 L2 (models CTO 8LG 8LQ 8LC 8LB 8LH 8MJ)  | 41X2413 | N        | Y     |
| 10     | Microprocessor, Pentium D 3.0 GHz 800 FSB 2Mx2 L2 (models CTO)  | 41T1717 | N        | Y     |
| 10     | Microprocessor, Pentium D 3.2 GHz 800 FSB 2Mx2 L2 (models CTO)  | 41X8050 | N        | Y     |
| 10     | Microprocessor, Pentium D 3.4 GHz 800 FSB 2Mx2 L2 (models CTO 9AC 9AB 9AH 9AJ 9BQ 9HB 9HH 9HJ)  | 41X7776 | N        | Y     |
| 10     | Microprocessor, Pentium E2140 800/1600MHZ-1M, LGA, EM64T (models CTO DEJ)   | 43C1967 | N        | Y     |
| 10     | Microprocessor, Pentium E2160 800/1800MHZ-1M, LGA, EM64T (models CTO)   | 43C1968 | N        | Y     |
| 10     | Microprocessor, Pentium CONROE-L E2180 2.0GHz 800MHz FSB, 1M, EM64T (models)  | 45C1773 | N        | Y     |
| 10     | Microprocessor, Pentium CONROE-L E2220 2.4GHz 800MHz FSB, 1M, EM64T (models)  | 45C1774 | N        | Y     |
| 10     | Microprocessor, Core 2 Duo E4500 Processor 2.2GHz 800MHz FSB 2M (models)  | 43C6305 | N        | Y     |
| 10     | Microprocessor, Core 2 Duo E6300 Processor 1.86GHz 1066MHz FSB 2M L2 (models CTO 91A 91T 91B 91H 92J 93J 94J 95J 96J 97J 98J 99J 9CA 9CQ 9CT 9CB 9CH 9DJ 9EJ 9FJ 9GJ 9KA 9KT) | 41X2495 | N        | Y     |
| 10     | Microprocessor, Core 2 Duo E6320 1.86GHz 1066MHz FSB 4M B2 (models CTO)   | 43C3829 | N        | Y     |
| 10     | Microprocessor, Core 2 Duo E6400 Processor 2.13GHz 1066MHz FSB 2M L2 (models CTO D1J D2J D3J D4J D5J D6J D7J D8J)   | 41X2496 | N        | Y     |
| 10     | Microprocessor, Core 2 Duo E6400 Processor 2.13GHz 1066MHz FSB 2M L2 (models CTO)   | 43C3831 | N        | Y     |
| 10     | Microprocessor, Conroe E6600 Processor 2.40GHz 1066MHz FSB 4M L2 (models CTO)   | 41X5743 | N        | Y     |
| 10     | Microprocessor, Conroe E6700 Processor 2.67GHz 1066MHz FSB 4M L2 (models CTO)   | 41X5744 | N        | Y     |
| 10     | Microprocessor, Celeron D 2.66GHz 533MHz FSB 256KB L2 (models CTO)  | 41T1694 | N        | Y     |

| Item # | 8803 FRUs   | FRU#    | CRU Tier | RoHS? |
|--------|---|---------|----------|-------|
| 10     | Microprocessor, Celeron D 2.80GHz 533MHz FSB 256KB L2 (models CTO A5J A6J A7J A8J A9J AAJ ABJ ACJ ADJ AEJ AFJ AGJ AHJ AJJ A1Q)  | 41T1695 | N        | Y     |
| 10     | Microprocessor, Celeron D 3.06GHz 533MHz FSB 256KB L2 (models CTO AKJ ALJ AMJ ANJ APJ AQJ ARJ ASJ ATJ AUJ AVJ AWJ AYJ AZJ 6HG 6HB 6HH 6JJ 6KJ)  | 41T1697 | N        | Y     |
| 10     | Microprocessor, Celeron D 3.06GHz 533MHz FSB 512KB L2 (models CTO)  | 42Y8530 | N        | Y     |
| 10     | Microprocessor, Celeron D 3.20GHz 533MHz FSB 256KB L2 (models CTO B1G B1B B1H)  | 41T1698 | N        | Y     |
| 10     | Microprocessor, Celeron D 3.20GHz 533MHz FSB 512KB L2 (models CTO)  | 41T4966 | N        | Y     |
| 10     | Microprocessor, Celeron D 3.33GHz 533MHz FSB 512KB L2 (models CTO)  | 41T4968 | N        | Y     |
| 10     | Microprocessor, Celeron 420 800/1600MHZ-512K,LGA,EM64T A1 (models CTO DFG)  | 43C3835 | N        | Y     |
| 10     | Microprocessor, Celeron 430 800/1800MHZ-512K,LGA,EM64T A1 (models CTO)  | 43C1964 | N        | Y     |
| 10     | Microprocessor, Celeron 440 800/1800MHZ-512K,LGA,EM64T A1 (models CTO)  | 43C1965 | N        | Y     |
| 10     | Microprocessor, Core 2 Duo E4300 1.8GHz 800MHz FSB 2M L2 (models CTO)   | 42Y8009 | N        | Y     |
| 10     | Microprocessor, Core 2 Duo E4400 2.0GHz 800MHz FSB 2M L2 (models CTO)   | 43C2056 | N        | Y     |
| 11     | System board (models CTO B1G 91A 91T A5J A6J A7J A8J A9J AAJ ABJ ACJ ADJ AEJ AFJ AGJ AHJ AJJ AKJ ALJ AMJ ANJ APJ AQJ ARJ ASJ ATJ AUJ AVJ AWJ AYJ AZJ B1B B1H 83J 84J 85J 86J 87J 88J 89J 8AJ 8BJ 8CJ 8DJ 8EJ 8FJ 8GJ 8HJ 8JJ 8KJ 91B 91H 92J 93J 94J 95J 96J 97J 98J 99J D1J D2J D3J D4J D5J D6J D7J D8J 6HG 6HB 6HH 61J 62J 63J 64J 65J 66J 6AA 6AT 9AC 9AB 9AH 9AJ 9BQ 9CA 9CQ 9CT 9CB 9CH A1Q A3V 8LG 8LQ 8LC 8LB 8LH 8MJ 9HB 9HH 9KA 9KT 9HJ DEJ DFG) | 43C7181 | 2        | Y     |
| 12     | Memory - 512MB DDR2 SDRAM NP Memory (PC 4200) (models CTO)  | 30R5121 | 1        | Y     |
| 12     | Memory - 512MB DDR2 SDRAM NP Memory (PC 4200) (models CTO)  | 41X4251 | 1        | Y     |
| 12     | Memory - 1GB DDR2 SDRAM NP Memory (PC 4200) (models CTO)  | 30R5122 | 1        | Y     |
| 12     | Memory - 2GB DDR2 SDRAM NP Memory (PC 4200) (models CTO)  | 30R5123 | 1        | Y     |
| 12     | Memory - 512MB DDR2 SDRAM NP (PC 5300) (models CTO B1G 91A 91T A5J A6J A7J A8J A9J AAJ ABJ ACJ ADJ AEJ AFJ AGJ AHJ AJJ AKJ ALJ AMJ ANJ APJ AQJ ARJ ASJ ATJ AUJ AVJ AWJ AYJ AZJ B1B B1H 83J 84J 85J 86J 87J 88J 89J 8AJ 8BJ 8CJ 8DJ 8EJ 8FJ 8GJ 8HJ 91B 91H 92J 93J 94J 95J D1J D2J D3J D4J 6HG 6HB 6HH 61J 62J 63J 64J 65J 66J 6AA 6AT 9BQ 9CA 9CQ 9CT 9CB 9CH 8LG 8LQ 8LC 8LB 8LH 8MJ 6JJ 6KJ 6BJ 6CJ 6DJ 6EJ 6FJ 6GJ 9HB 9HH 9KA 9KT)                   | 30R5125 | 1        | Y     |
| 12     | Memory - 1GB DDR2 SDRAM NP (PC 5300) (models CTO 8JJ 8KJ 96J 97J 98J 99J D5J D6J D7J D8J 9AC 9AB 9AH 9AJ 8NJ 8PJ 8QJ 8RJ 9DJ 9EJ 9FJ 9GJ DEJ DFG)   | 30R5126 | 1        | Y     |
| 12     | Memory - 1GB DDR2 SDRAM NP (PC 5300) (models CTO 8JJ 8KJ 96J 97J 98J 99J D5J D6J D7J D8J 9AC 9AB 9AH 9AJ 8NJ 8PJ 8QJ 8RJ 9DJ 9EJ 9FJ 9GJ DEJ DFG)   | 41X4252 | 1        | Y     |
| 12     | Memory - 2GB DDR2 SDRAM NP (PC 5300) (models CTO)   | 30R5127 | 1        | Y     |
| 12     | Memory - 512MB DDR2 SDRAM NP (PC 6400) (models CTO)   | 41X1079 | 1        | Y     |
| 12     | Memory - 1GB DDR2 SDRAM NP (PC 6400) (models CTO)   | 41X1080 | 1        | Y     |
| 12     | Memory - 2GB DDR2 SDRAM NP (PC 6400) (models CTO)   | 41X1081 | 1        | Y     |

| Item # | 8803 FRUs                     | FRU#    | CRU Tier | RoHS? |
|--------|-------------------------------|---------|----------|-------|
| 13     | Rear exhaust fan (all models) | 39M0551 | 1        | Y     |

The FRUs listed in the following table are not illustrated.

| 8803 FRUs  | FRU#    | CRU Tier | RoHS? |
|--|---------|----------|-------|
| Bezel, Ultra-Bay-Enhanced (all models)                                     | 89P6804 | 1        | Y     |
| HSS Tray assembly (includes grommet/pins/brkt/ground springs) (all models) | 89P6778 | 1        | Y     |
| Power/LED cable assembly with bracket (all models)                         | 39K5055 | 2        | Y     |
| Chassis and cover assembly (all models)                                    | 41N5314 | 2        | Y     |
| Cable, SATA hard disk drive and optical drive (all models)                 | 39K5061 | 1        | Y     |
| Ultra Bay Enhanced Cable/Card Assembly (all models)                        | 41N5305 | 2        | Y     |
| Fan assembly, front (all models)   | 41R6359 | 1        | Y     |
| Vertical stand (all models)  | 89P6792 | 1        | Y     |
| Rear air deflector (all models)  | 89P6793 | 1        | Y     |
| Miscellaneous hardware kit (all models)                                    | 89P6794 | 1        | Y     |
| Plastic parts kit (all models)   | 39M0575 | 2        | Y     |
| Battery 3.0V (all models)  | 33F8354 | 1        | Y     |
| Underdesk Mounting Kit (all models)  | 39M0599 | 1        | Y     |
| Chassis Intrusion Switch-C2 Cable-Switch (all models)                      | 39K5022 | 1        | Y     |
| Thermal Sense cable (850 mm) (all models)                                  | 41R2511 | 1        | Y     |

| 8803 Keyboards (USB Preferred - without hub)  | FRU#    | CRU Tier | RoHS? |
|---|---------|----------|-------|
| US English (models B1G 91A B1H 91H 6HG 6HH 6AA 9BQ 9CA 9CQ 9CH A1Q 8LG 8LQ 8LC 8LH 9KA DFG) | 41A5289 | 1        | Y     |
| Arabic (models B1G 6HG 8LG DFG)   | 41A5290 | 1        | Y     |
| Arabic/French (models B1G 6HG 8LG DFG)  | 41A5291 | 1        | Y     |
| Belgian/French (models B1G 6HG 8LG DFG)   | 41A5292 | 1        | Y     |
| Belgian/UK (models B1G 6HG 8LG DFG)   | 41A5293 | 1        | Y     |
| Bulgarian (models B1G 6HG 8LG DFG)  | 41A5295 | 1        | Y     |
| Chinese/US (models B1B 91B 6HB 9CB A3V 8LB)   | 41A5296 | 1        | Y     |
| Czech (models B1G 6HG 8LG DFG)  | 41A5297 | 1        | Y     |
| Danish (models B1G 6HG 8LG DFG)   | 41A5298 | 1        | Y     |
| Dutch (models B1G 6HG 8LG DFG)  | 41A5299 | 1        | Y     |
| French (models B1G 6HG 8LG DFG)   | 41A5300 | 1        | Y     |
| German (models B1G 6HG 8LG DFG)   | 41A5303 | 1        | Y     |
| Greek (models B1G 6HG 8LG DFG)  | 41A5304 | 1        | Y     |
| Greek/US (models B1G 6HG 8LG DFG)   | 41A5305 | 1        | Y     |
| Hebrew (models B1G 6HG 8LG DFG)   | 41A5306 | 1        | Y     |
| Hungarian (models B1G 6HG 8LG DFG)  | 41A5307 | 1        | Y     |
| Iceland (models B1G 6HG 8LG DFG)  | 41A5308 | 1        | Y     |
| Italian 141 (models B1G 6HG 8LG DFG)  | 41A5309 | 1        | Y     |

| <b>8803 Keyboards (USB Preferred - without hub)</b>   | <b>FRU#</b> | <b>CRU Tier</b> | <b>RoHS?</b> |
|---|-------------|-----------------|--------------|
| Japanese (models A5J A6J A7J A8J ABJ ACJ AFJ AGJ AKJ ALJ AMJ ANJ ARJ ASJ AVJ AWJ 83J 84J 85J 86J 87J 8AJ 8BJ 8EJ 8FJ 61J 62J 63J 64J 65J 66J 8MJ 6JJ 6KJ 6BJ 6CJ 6DJ 6EJ 6FJ 6GJ) | 41A5310     | 1               | Y            |
| Norwegian (models B1G 6HG 8LG DFG)  | 41A5313     | 1               | Y            |
| Polish (models B1G 6HG 8LG DFG)   | 41A5314     | 1               | Y            |
| Portuguese (models B1G 6HG 8LG DFG)   | 41A5315     | 1               | Y            |
| Romanian 096 (models B1G 6HG 8LG DFG)   | 41A5317     | 1               | Y            |
| Romanian 446 (models B1G 6HG 8LG DFG)   | 41A5316     | 1               | Y            |
| Russian/Cyrillic (models B1G 6HG 8LG DFG)   | 41A5318     | 1               | Y            |
| Serbian/Cyrillic (models B1G 6HG 8LG DFG)   | 41A5319     | 1               | Y            |
| Slovak (models B1G 6HG 8LG DFG)   | 41A5320     | 1               | Y            |
| Spanish (models B1G 6HG 8LG DFG)  | 41A5321     | 1               | Y            |
| Swedish/Finn (models B1G 6HG 8LG DFG)   | 41A5322     | 1               | Y            |
| Swiss (models B1G 6HG 8LG DFG)  | 41A5323     | 1               | Y            |
| Thailand (models 91T 6AT 9CT 9KT)   | 41A5324     | 1               | Y            |
| Turkish 440 (models B1G 6HG 8LG DFG)  | 41A5325     | 1               | Y            |
| Turkish 179 (models B1G 6HG 8LG DFG)  | 41A5326     | 1               | Y            |
| UK English (models B1G 6HG 8LG DFG)   | 41A5327     | 1               | Y            |
| US Euro (models B1G 6HG 8LG DFG)  | 41A5328     | 1               | Y            |
| Slovenian (models B1G 6HG 8LG DFG)  | 41A5329     | 1               | Y            |

| <b>8803 Keyboards (Fingerprint reader, USB)</b>   | <b>FRU#</b> | <b>CRU Tier</b> | <b>RoHS?</b> |
|---|-------------|-----------------|--------------|
| US (models 9AC 9AH 9HH)   | 41A5248     | 1               | Y            |
| Chinese/US (models 9AB 9HB)   | 41A5255     | 1               | Y            |
| Japanese (models A9J AAJ ADJ AEJ AHJ APJ AQJ ATJ AUJ AYJ AZJ 88J 89J 8CJ 8DJ 8GJ 8HJ 8JJ 8KJ 92J 93J 94J 95J 96J 97J 98J 99J D1J D2J D3J D4J D5J D6J D7J D8J 9AJ 8NJ 8PJ 8QJ 8RJ 9DJ 9EJ 9FJ 9GJ 9HJ DEJ) | 41A5269     | 1               | Y            |

| <b>8803 Mice</b>                                      | <b>FRU#</b> | <b>CRU Tier</b> | <b>RoHS?</b> |
|---|-------------|-----------------|--------------|
| Mouse, Optical Wheel (400DPI, USB) (all models)       | 41U3013     | 1               | Y            |
| Mouse, ScrollPoint Optical (800DPI, USB) (models CTO) | 41U3019     | 1               | Y            |
| Mouse, Optical Wheel (400DPI, USB) (all models)       | 41U3030     | 1               | Y            |

| <b>8803 Wireless I/O</b>       | <b>FRU#</b> | <b>CRU Tier</b> | <b>RoHS?</b> |
|--------------------------------|-------------|-----------------|--------------|
| Wireless Keyboard (models CTO) | 41A5219     | 1               | Y            |
| Wireless Mouse (models CTO)    | 41A5247     | 1               | Y            |
| Transceiver (USB) (models CTO) | 41A5246     | 1               | Y            |

| <b>8803 Adapters and miscellaneous FRUs</b>              | <b>FRU#</b> | <b>CRU Tier</b> | <b>RoHS?</b> |
|--|-------------|-----------------|--------------|
| PCI-E DVI-DConnection Adapter (Full Height) (models CTO) | 39J9334     | 1               | Y            |
| IEEE 1394 Firewire Adapter - full height (models CTO)    | 41D2781     | 1               | Y            |
| Speakers, (2-piece) (Lenovo logo) (models CTO)           | 41A5331     | 1               | Y            |

| 8803 Adapters and miscellaneous FRUs                                 | FRU#    | CRU Tier | RoHS? |
|--|---------|----------|-------|
| Speakers, Lenovo Branded (models CTO)                                | 41A5334 | 1        | Y     |
| Speaker Power brick - US, Canada, LA low voltage, ASEAN (models CTO) | 89P8571 | 1        | Y     |
| Speaker Power brick - LA high voltage (non-APU) (models CTO)         | 89P8575 | 1        | Y     |
| Speaker Power brick - China, Thailand (models CTO)                   | 89P8581 | 1        | Y     |
| Speaker Power brick - Japan (models CTO)                             | 89P8577 | 1        | Y     |
| Speaker Power brick - Brazil (models CTO)                            | 89P8583 | 1        | Y     |
| Speaker Power brick - Argentina (models CTO)                         | 41A4901 | 1        | Y     |
| Speaker Power brick - ANZ (models CTO)                               | 89P8579 | 1        | Y     |
| Speaker Power brick - Korea (models CTO)                             | 41A4903 | 1        | Y     |
| Speaker Brick - Hong Kong, EMEA (models CTO)                         | 89P8573 | 1        | Y     |
| Speaker Power brick - Taiwan (models CTO)                            | 41A4905 | 1        | Y     |
| Speaker Power brick - India, South Africa (models CTO)               | 89P8585 | 1        | Y     |
| Thermal Grease Syringe (all models)                                  | 91P8835 | 1        | Y     |

| 8803 Power Cords  | FRU#    | CRU Tier | RoHS? |
|---|---------|----------|-------|
| Power Cord (US) (models CTO-U 91A 91T 6AA 6AT 9CA 9CT 9KA 9KT)  | 39M5080 | 1        | Y     |
| Power Cord (China) (models CTO-A 9AC 8LC)   | 39M5205 | 1        | Y     |
| Power Cord (Japan) (models CTO-A A5J A6J A7J A8J A9J AAJ ABJ ACJ ADJ AEJ AFJ AGJ AHJ AJJ AKJ ALJ AMJ ANJ APJ AQJ ARJ ASJ ATJ AUJ AVJ AWJ AYJ AZJ 83J 84J 85J 86J 87J 88J 89J 8AJ 8BJ 8CJ 8DJ 8EJ 8FJ 8GJ 8HJ 8JJ 8KJ 92J 93J 94J 95J 96J 97J 98J 99J D1J D2J D3J D4J D5J D6J D7J D8J 61J 62J 63J 64J 65J 66J 9AJ 8MJ 6JJ 6KJ 6BJ 6CJ 6DJ 6EJ 6FJ 6GJ 8NJ 8PJ 8QJ 8RJ 9DJ 9EJ 9FJ 9GJ 9HJ DEJ) | 39M5193 | 1        | Y     |
| Power Cord (Brazil) (models CTO-L A1P A2P A3P A6P A8P A9P AAP ABP 81P 82P 91P 94P)  | 39M5232 | 1        | Y     |
| Power Cord (LA), (High Volt) (APU) (models CTO-L A1L A1Y A2L A2Y A3L A3Y A6L A6Y A8L A8Y A9L A9Y AAL AAY ABL ABY 81L 81Y 82L 82Y 91L 91Y 94L 94Y)   | 39M5067 | 1        | Y     |
| Power Cord (Australia, New Zealand) (models CTO-A)  | 39M5102 | 1        | Y     |
| Power Cord (Korea) (models CTO-A A5K A5R ACK ACR ADK ADR AEK AER B2K B2R B3K B3R B4K B4R B5K B5R B6K B6R B7K B7R 93K 93R 95K 95R)   | 39M5212 | 1        | Y     |
| Power Cord (Hong Kong) (models CTO-A B1B B1H 91B 91H 6HB 6HH 9AB 9AH 9CB 9CH 8LB 8LH 9HB 9HH)   | 39M5151 | 1        | Y     |
| Power Cord (UK, Ireland, Singapore, Malaysia, Brunei) (models CTO-G CTO-A B1G 91A 6HG 6AA 9CA 8LG 9KA DFG)  | 39M5150 | 1        | Y     |
| Power Cord (Taiwan) (models CTO-A A3V)  | 39M5246 | 1        | Y     |
| Power Cord (Italy) (models CTO-G B1G 6HG 8LG DFG)   | 39M5164 | 1        | Y     |
| Power Cord (G models) (models CTO-G CTO-A B1G 91A 6HG 6AA 9CA 8LG 9KA DFG)  | 39M5122 | 1        | Y     |
| Power Cord (Denmark) (models CTO-G B1G 6HG 8LG DFG)   | 39M5129 | 1        | Y     |
| Power Cord (Switzerland) (models CTO-G B1G 6HG 8LG DFG)   | 39M5157 | 1        | Y     |
| Power Cord (Israel) (models CTO-G B1G 6HG 8LG DFG)  | 39M5171 | 1        | Y     |
| Power Cord (South Africa) (models CTO-G B1G 91A 6HG 6AA 9CA 8LG 9KA DFG)  | 39M5143 | 1        | Y     |
| Power Cord (India) (models CTO-A 9BQ 9CQ A1Q 8LQ)   | 39M5004 | 1        | Y     |

| 8803 Windows XP Pro Recovery CDs  | FRU#    | CRU Tier | RoHS? |
|---|---------|----------|-------|
| US/UK/AP/TH (models B1G 91A 91T B1H 91H 6HG 6HH 6AA 6AT 9AH 9BQ 9CA 9CQ 9CT 9CH 8LG 8LQ 8LH DFG 9KA 9HH)  | 42Y3236 | 1        | Y     |
| RE (models B1G 6HG 8LG DFG)   | 42Y5464 | 1        | Y     |
| FR/CF (models B1G 6HG 8LG DFG)  | 42Y4449 | 1        | Y     |
| GR (models B1G 6HG 8LG DFG)   | 42Y4450 | 1        | Y     |
| SP/LA (models B1G 6HG 8LG DFG)  | 42Y4451 | 1        | Y     |
| IT (models B1G 6HG 8LG DFG)   | 42Y4452 | 1        | Y     |
| SV (models B1G 6HG 8LG DFG)   | 42Y4454 | 1        | Y     |
| DK (models B1G 6HG 8LG DFG)   | 42Y4455 | 1        | Y     |
| FI (models B1G 6HG 8LG DFG)   | 42Y5465 | 1        | Y     |
| NO (models B1G 6HG 8LG DFG)   | 42Y5466 | 1        | Y     |
| NL (models B1G 6HG 8LG DFG)   | 42Y5467 | 1        | Y     |
| Simplified Chinese (models 9AC 8LC)   | 42T8627 | 1        | Y     |
| Taiwan - TC (models A3V)  | 42T8633 | 1        | Y     |
| Hong Kong - TC (models B1B 91B 6HB 9AB 9CB 8LB 9HB)   | 42T8639 | 1        | Y     |
| Japanese (models A5J A6J A7J A8J A9J AAJ ABJ ACJ ADJ AEJ AFJ AGJ AHJ AJJ AKJ ALJ AMJ ANJ APJ AQJ ARJ ASJ ATJ AUJ AVJ AWJ AYJ AZJ 83J 84J 85J 86J 87J 88J 89J 8AJ 8BJ 8CJ 8DJ 8EJ 8FJ 8GJ 8HJ 8JJ 8KJ 92J 93J 94J 95J 96J 97J 98J 99J D1J D2J D3J D4J D5J D6J D7J D8J 61J 62J 63J 64J 65J 66J 9AJ 8MJ 6JJ 6KJ 6BJ 6CJ 6DJ 6EJ 6FJ 6GJ 8NJ 8PJ 8QJ 8RJ 9DJ 9EJ 9FJ 9GJ DEJ 9HJ) | 42T8645 | 1        | Y     |
| HE (models B1G 6HG 8LG DFG)   | 42Y5468 | 1        | Y     |
| PL (models B1G 6HG 8LG DFG)   | 42Y5469 | 1        | Y     |
| CZ (models B1G 6HG 8LG DFG)   | 42Y5470 | 1        | Y     |
| AE (models B1G 6HG 8LG DFG)   | 42Y5471 | 1        | Y     |
| RU (models B1G 6HG 8LG DFG)   | 42Y5472 | 1        | Y     |
| TR (models B1G 6HG 8LG DFG)   | 42Y5473 | 1        | Y     |
| HU (models B1G 6HG 8LG DFG)   | 42Y5474 | 1        | Y     |
| PO (models B1G 6HG 8LG DFG)   | 42Y5475 | 1        | Y     |
| GK (models B1G 6HG 8LG DFG)   | 42Y5476 | 1        | Y     |
| SL (models B1G 6HG 8LG DFG)   | 42Y5477 | 1        | Y     |
| Multilingual 1 -- EN, NL, FR, GR, IT (models B1G 6HG 8LG DFG)   | 42Y4533 | 1        | Y     |
| Multilingual 2 -- EN, DK, FI, NO, SV (models B1G 6HG 8LG DFG)   | 42Y5626 | 1        | Y     |

| 8803 Vista Home Basic 32 Recovery DVDs | FRU#    | CRU Tier |
|--|---------|----------|
| US/UK/AP/TH (models)                   | 43C1440 | 1        |
| FR/CF (models)                         | 43C1441 | 1        |
| GR (models)                            | 43C1442 | 1        |
| SP/LA (models)                         | 43C1443 | 1        |
| BR (models)                            | 43C1444 | 1        |
| IT (models)                            | 43C1445 | 1        |

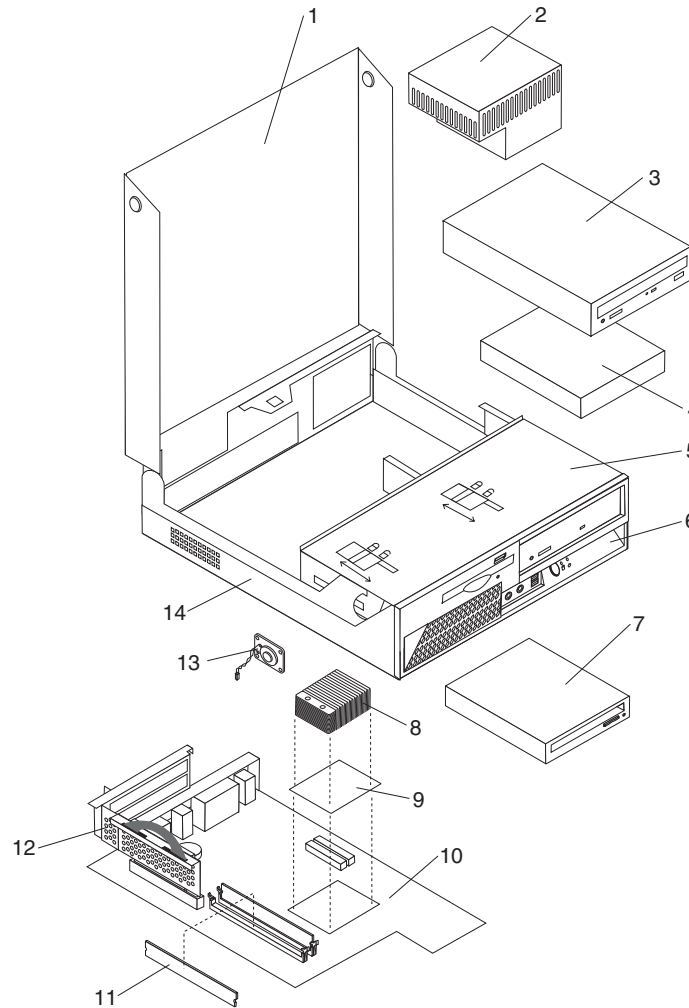
| 8803 Vista Home Basic 32 Recovery DVDs | FRU#    | CRU Tier |
|--|---------|----------|
| JP (models)                            | 43C1446 | 1        |
| NO (models)                            | 43C1447 | 1        |
| SV (models)                            | 43C1448 | 1        |
| DK (models)                            | 43C1449 | 1        |
| NL (models)                            | 43C1450 | 1        |
| CZ (models)                            | 43C1451 | 1        |
| FI (models)                            | 43C1452 | 1        |
| PL (models)                            | 43C1453 | 1        |
| RU (models)                            | 43C1454 | 1        |
| TR (models)                            | 43C1455 | 1        |
| HU (models)                            | 43C1456 | 1        |
| GK (models)                            | 43C1457 | 1        |
| PO (models)                            | 43C1458 | 1        |
| CS (models)                            | 43C1459 | 1        |
| TW (models)                            | 43C1460 | 1        |
| HK (models)                            | 43C1461 | 1        |
| KR (models)                            | 43C1462 | 1        |
| SL (models)                            | 43C1463 | 1        |
| RE (models)                            | 43C1464 | 1        |

| 8803 Vista Business 32 Recovery DVDs | FRU#    | CRU Tier |
|--------------------------------------|---------|----------|
| US/UK/AP/TH (models 9KA 9HH)         | 43C1390 | 1        |
| FR/CF (models)                       | 43C1391 | 1        |
| GR (models)                          | 43C1392 | 1        |
| SP/LA (models)                       | 43C1393 | 1        |
| BR (models)                          | 43C1394 | 1        |
| IT (models)                          | 43C1395 | 1        |
| JP (models 9HJ )                     | 43C1396 | 1        |
| NO (models)                          | 43C1397 | 1        |
| SV (models)                          | 43C1398 | 1        |
| DK (models)                          | 43C1399 | 1        |
| NL (models)                          | 43C1400 | 1        |
| CZ (models)                          | 43C1401 | 1        |
| FI (models)                          | 43C1402 | 1        |
| PL (models)                          | 43C1403 | 1        |
| RU (models)                          | 43C1404 | 1        |
| TR (models)                          | 43C1405 | 1        |
| HU (models)                          | 43C1406 | 1        |
| GK (models)                          | 43C1407 | 1        |
| PO (models)                          | 43C1408 | 1        |
| CS (models)                          | 43C1409 | 1        |



| 8803 Vista Business 32 Recovery DVDs | FRU#    | CRU Tier |
|--------------------------------------|---------|----------|
| TW (models)                          | 43C1410 | 1        |
| HK (models 9HB )                     | 43C1411 | 1        |
| KR (models)                          | 43C1412 | 1        |
| SL (models)                          | 43C1413 | 1        |
| RE (models)                          | 43C1414 | 1        |

## Machine Type 8804



| Item # | 8804 FRUs  | FRU#    | CRU Tier | RoHS? |
|--------|--|---------|----------|-------|
| 1      | Cover Assembly (all models)  | 41R6220 | 1        | Y     |
| 2      | Power Supply, 275 active PFC-WW, China, JAPAN (models CTO B1G 91G D1G 61G 8CG 8DG 92G A1C A3C A4V 91C 91B 91H 8AQ 8BJ G1G) | 41A9640 | 2        | Y     |
| 2      | Power Supply (225 Watt) (models CTO B1G 91G D1G 61G 8CG 8DG 92G G1G)   | 41A9629 | 2        | Y     |
| 2      | Power Supply - China (225 Watt) (models CTO-A A1C A3C A4V 91C 91B 91H 8AQ)   | 41A9635 | 2        | Y     |

| Item # | 8804 FRUs   | FRU#    | CRU Tier | RoHS? |
|--------|---|---------|----------|-------|
| 2      | Power Supply - Japan (225 Watt) (models CTO-A 8BJ)  | 41A9632 | 2        | Y     |
| 3      | DVD-ROM 16X/48X - Black-NONVISTA/VISTA (models CTO D1G 8AQ 61G 8BJ)                               | 41N3325 | 1        | Y     |
| 3      | CD-RW/DVD-ROM Combo Drive 48X/32X/48X/16X Max----nonvista/vista (models CTO A4V B1G 8CG 8DG G1G)  | 42Y9352 | 1        | Y     |
| 3      | CD-RW/DVD-ROM Combo Drive 48X/32X/48X/16X Max----nonvista/vista (models CTO A4V B1G 8CG 8DG G1G)  | 42Y9353 | 1        | Y     |
| 3      | DVD-RW/CD-RW Rambo 7 - SATA (models CTO)  | 42Y6374 | 1        | Y     |
| 3      | DVD-RW/CD-RW Rambo 7 - SATA (models CTO)  | 42Y6373 | 1        | Y     |
| 3      | DVD Recorder Rambo 8 - SATA (models CTO)  | 43C1042 | 1        | Y     |
| 4      | Hard Disk Drive 80GB 7200 rpm Serial ATA (models CTO A1C A3C A4V B1G D1G 8AQ 61G 8BJ 8CG 8DG G1G) | 40Y9034 | 1        | Y     |
| 4      | Hard Disk Drive 80GB 7200 rpm Serial ATA (models CTO A1C A3C A4V B1G D1G 8AQ 61G 8BJ 8CG 8DG G1G) | 40Y8761 | 1        | Y     |
| 4      | Hard Disk Drive 160GB 7200 rpm Serial ATA (models CTO)  | 40Y9035 | 1        | Y     |
| 4      | Hard Disk Drive 160GB 7200 rpm Serial ATA (models CTO)  | 40Y8762 | 1        | Y     |
| 4      | Hard Disk Drive 250GB 7200 rpm Serial ATA (models CTO 91G 91C 91B 91H 92G)                        | 40Y9036 | 1        | Y     |
| 4      | Hard Disk Drive 250GB 7200 rpm Serial ATA (models CTO 91G 91C 91B 91H 92G)                        | 40Y8763 | 1        | Y     |
| 4      | Hard Disk Drive 500GB 7200 rpm Serial ATA (models CTO)  | 41X5582 | 1        | Y     |
| 5      | Rotating bay assembly (all models)  | 03R0285 | 2        | Y     |
| 6      | Plastic bezel kit (models)  | 41A7718 | 1        | Y     |
| 7      | Slim Diskette Drive, 1.44 MB 3 mode (without FDD cable and bezel ) (models CTO A1C A3C A4V)       | 40Y9109 | 1        | Y     |
| 7      | Slim Diskette Drive, 1.44 MB 3 mode (without FDD cable and bezel ) (models CTO A1C A3C A4V)       | 40Y9111 | 1        | Y     |
| 8      | Heat Sink, (all models)   | 41A7705 | 2        | Y     |
| 9      | Microprocessor, Pentium 4 3.06 GHz 533 FSB 1MB L2 (models CTO)                                    | 41T4104 | N        | Y     |
| 9      | Microprocessor, Pentium 4 3.0 GHz 800 FSB 1MB L2 (models CTO)                                     | 41T1701 | N        | Y     |
| 9      | Microprocessor, Pentium 4 3.2 GHz 800 FSB 1MB L2 (models CTO)                                     | 41T1702 | N        | Y     |
| 9      | Microprocessor, Pentium 4 3.0 GHz 800 FSB 2MB L2 (models CTO)                                     | 41T1712 | N        | Y     |
| 9      | Microprocessor, Pentium 4 3.2 GHz 800 FSB 2MB L2 (models CTO)                                     | 41T1713 | N        | Y     |
| 9      | Microprocessor, Pentium 4 3.4 GHz 800 FSB 2MB L2 (models CTO)                                     | 41T1714 | N        | Y     |
| 9      | Microprocessor, Pentium 4 3.6 GHz 800 FSB 2MB L2 (models CTO)                                     | 41T1715 | N        | Y     |
| 9      | Microprocessor, Pentium D 2.8 GHz 800 FSB 2Mx2 L2 (models CTO)                                    | 41T1704 | N        | Y     |
| 9      | Microprocessor, Pentium D 2.8 GHz 800 FSB 2Mx2 L2 (models CTO 8CG)                                | 41X7775 | N        | Y     |
| 9      | Microprocessor, Pentium D 3.0 GHz 800 FSB 2Mx2 L2 (models CTO 61G)                                | 41X2413 | N        | Y     |
| 9      | Microprocessor, Pentium D 3.0 GHz 800 FSB 2Mx2 L2 (models CTO)                                    | 41T1717 | N        | Y     |
| 9      | Microprocessor, Pentium D 3.2 GHz 800 FSB 2Mx2 L2 (models CTO 8DG)                                | 41X8050 | N        | Y     |
| 9      | Microprocessor, Pentium D 3.4 GHz 800 FSB 2Mx2 L2 (models CTO 84Q 8BJ)                            | 41X7776 | N        | Y     |

| Item # | 8804 FRUs   | FRU#    | CRU Tier | RoHS? |
|--------|---|---------|----------|-------|
| 9      | Microprocessor, Pentium E2140 800/1600MHZ-1M, LGA, EM64T (models CTO G1G)                             | 43C1967 | N        | Y     |
| 9      | Microprocessor, Pentium E2160 800/1800MHZ-1M, LGA, EM64T (models CTO)                                 | 43C1968 | N        | Y     |
| 9      | Microprocessor, Pentium CONROE-L E2180 2.0GHz 800MHz FSB, 1M, EM64T (models)                          | 45C1773 | N        | Y     |
| 9      | Microprocessor, Pentium CONROE-L E2220 2.4GHz 800MHz FSB, 1M, EM64T (models)                          | 45C1774 | N        | Y     |
| 9      | Microprocessor, Core 2 Duo E4500 Processor 2.2GHz 800MHz FSB 2M (models)                              | 43C6305 | N        | Y     |
| 9      | Microprocessor, Core 2 Duo E6300 Processor 1.86GHz 1066MHz FSB 2M L2 (models CTO 91G 91C 91B 91H 92G) | 41X2495 | N        | Y     |
| 9      | Microprocessor, Core 2 Duo E6320 1.86GHz 1066MHz FSB 4M B2 (models CTO)                               | 43C3829 | N        | Y     |
| 9      | Microprocessor, Core 2 Duo E6400 Processor 2.13GHz 1066MHz FSB 2M L2 (models CTO)                     | 41X2496 | N        | Y     |
| 9      | Microprocessor, Core 2 Duo E6400 Processor 2.13GHz 1066MHz FSB 2M L2 (models CTO)                     | 43C3831 | N        | Y     |
| 9      | Microprocessor, Conroe E6600 Processor 2.40GHz 1066MHz FSB 4M L2 (models CTO)                         | 41X5743 | N        | Y     |
| 9      | Microprocessor, Conroe E6700 Processor 2.67GHz 1066MHz FSB 4M L2 (models CTO)                         | 41X5744 | N        | Y     |
| 9      | Microprocessor, Celeron D 2.66GHz 533MHz FSB 256KB L2 (models CTO)                                    | 41T1694 | N        | Y     |
| 9      | Microprocessor, Celeron D 2.80GHz 533MHz FSB 256KB L2 (models CTO A1C A3C A4V)                        | 41T1695 | N        | Y     |
| 9      | Microprocessor, Celeron D 3.06GHz 533MHz FSB 256KB L2 (models CTO D1G)                                | 41T1697 | N        | Y     |
| 9      | Microprocessor, Celeron D 3.06GHz 533MHz FSB 512KB L2 (models CTO)                                    | 42Y8530 | N        | Y     |
| 9      | Microprocessor, Celeron D 3.20GHz 533MHz FSB 256KB L2 (models CTO B1G)                                | 41T1698 | N        | Y     |
| 9      | Microprocessor, Celeron D 3.20GHz 533MHz FSB 512KB L2 (models CTO)                                    | 41T4966 | N        | Y     |
| 9      | Microprocessor, Celeron D 3.33GHz 533MHz FSB 512KB L2 (models CTO)                                    | 41T4968 | N        | Y     |
| 9      | Microprocessor, Celeron 420 800/1600MHZ-512K,LGA,EM64T A1 (models CTO)                                | 43C3835 | N        | Y     |
| 9      | Microprocessor, Celeron 430 800/1800MHZ-512K,LGA,EM64T A1 (models CTO)                                | 43C1964 | N        | Y     |
| 9      | Microprocessor, Celeron 440 800/1800MHZ-512K,LGA,EM64T A1 (models CTO)                                | 43C1965 | N        | Y     |
| 9      | Microprocessor, Core 2 Duo E4300 1.8GHz 800MHz FSB 2M L2 (models CTO)                                 | 42Y8009 | N        | Y     |
| 9      | Microprocessor, Core 2 Duo E4400 2.0GHz 800MHz FSB 2M L2 (models CTO)                                 | 43C2056 | N        | Y     |
| 10     | System Board (models CTO A1C A3C A4V B1G D1G 8AQ 61G 8BJ 8CG 8DG G1G)                                 | 43C7177 | 2        | Y     |
| 10     | System Board (models CTO 91G 91C 91B 91H 92G)   | 43C7176 | 2        | Y     |
| 10     | System Board IV - Bristol GF V3.1(ASUS)(SIT-RR) (models)  | 41T1435 | 2        | Y     |

| Item # | 8804 FRUs   | FRU#    | CRU Tier | RoHS? |
|--------|---|---------|----------|-------|
| 10     | System Board IV - Bristol IAMT V3.3(ASUS)(SIT-RR) (models)                        | 41T1431 | 2        | Y     |
| 10     | System Board IV - Bristol IAMT V3.3(GIGA)(GA)(No 820CPU issue) (models)           | 45C2305 | 2        | Y     |
| 11     | Memory - 512MB DDR2 SDRAM NP Memory (PC 4200) (models CTO)                        | 30R5121 | 1        | Y     |
| 11     | Memory - 512MB DDR2 SDRAM NP Memory (PC 4200) (models CTO)                        | 41X4251 | 1        | Y     |
| 11     | Memory - 1GB DDR2 SDRAM NP Memory (PC 4200) (models CTO)                          | 30R5122 | 1        | Y     |
| 11     | Memory - 2GB DDR2 SDRAM NP Memory (PC 4200) (models CTO)                          | 30R5123 | 1        | Y     |
| 11     | Memory - 512MB DDR2 SDRAM NP (PC 5300) (models CTO BIG D1G 8AQ 61G 8BJ)           | 30R5125 | 1        | Y     |
| 11     | Memory - 1GB DDR2 SDRAM NP (PC 5300) (models CTO 91G 91C 91B 91H 8CG 8DG 92G G1G) | 30R5126 | 1        | Y     |
| 11     | Memory - 1GB DDR2 SDRAM NP (PC 5300) (models CTO 91G 91C 91B 91H 8CG 8DG 92G G1G) | 41X4252 | 1        | Y     |
| 11     | Memory - 2GB DDR2 SDRAM NP (PC 5300) (models CTO)                                 | 30R5127 | 1        | Y     |
| 11     | Memory - 512MB DDR2 SDRAM NP (PC 6400) (models CTO)                               | 41X1079 | 1        | Y     |
| 11     | Memory - 1GB DDR2 SDRAM NP (PC 6400) (models CTO)                                 | 41X1080 | 1        | Y     |
| 11     | Memory - 2GB DDR2 SDRAM NP (PC 6400) (models CTO)                                 | 41X1081 | 1        | Y     |
| 12     | Riser card assembly (all models)  | 41A7730 | 1        | Y     |
| 13     | Speaker/cable assembly (all models)   | 39K5012 | 1        | Y     |
| 14     | Chassis (all models)  | 41A7717 | 2        | Y     |

The FRUs listed in the following table are not illustrated.

| 8804 FRUs   | FRU#    | CRU Tier | RoHS? |
|---|---------|----------|-------|
| Hard disk drive tray (all models)                                     | 03R0302 | 2        | Y     |
| Floor stand and vertical deflector (all models)                       | 74P0404 | 2        | Y     |
| Cable, SATA 18" (all models)  | 26K1186 | 1        | Y     |
| Cable, second serial port, 250mm HP (all models)                      | 42Y8007 | 1        | Y     |
| Cable, SATA Device (all models)                                       | 39K5026 | 1        | Y     |
| C2 Cable (Squall) (models)  | 39K5022 | 1        | Y     |
| Cable, PWR/LED (all models)   | 26K1242 | 1        | Y     |
| Cable, Diskette Drive (all models)                                    | 26K1248 | 1        | Y     |
| Fan assembly (all models)   | 26K1253 | 2        | Y     |
| Universal Adapter Bracket 5.25 to 3.5-inch (all models)               | 32P4743 | 1        | Y     |
| Retention module, tool less heat sink (all models)                    | 26K1281 | 2        | Y     |
| Shield, system board (all models)                                     | 41A7719 | 2        | Y     |
| Latch bar on cover (all models)                                       | 41R6188 | 2        | Y     |
| Internal Plastic Kit (does not include tl hardfile tray) (all models) | 26K1234 | 2        | Y     |

| <b>8804 Keyboards (USB Preferred - without hub)</b>                     | <b>FRU#</b> | <b>CRU Tier</b> | <b>RoHS?</b> |
|---|-------------|-----------------|--------------|
| US English (models A1C A3C B1G 91G 91C 91H D1G 8AQ 61G 8CG 8DG 92G G1G) | 41A5289     | 1               | Y            |
| Arabic (models B1G 91G D1G 61G 8CG 8DG 92G G1G)                         | 41A5290     | 1               | Y            |
| Arabic/French (models B1G 91G D1G 61G 8CG 8DG 92G G1G)                  | 41A5291     | 1               | Y            |
| Belgian/French (models B1G 91G D1G 61G 8CG 8DG 92G G1G)                 | 41A5292     | 1               | Y            |
| Belgian/UK (models B1G 91G D1G 61G 8CG 8DG 92G G1G)                     | 41A5293     | 1               | Y            |
| Bulgarian (models B1G 91G D1G 61G 8CG 8DG 92G G1G)                      | 41A5295     | 1               | Y            |
| Chinese/US (models A4V 91B)   | 41A5296     | 1               | Y            |
| Czech (models B1G 91G D1G 61G 8CG 8DG 92G G1G)                          | 41A5297     | 1               | Y            |
| Danish (models B1G 91G D1G 61G 8CG 8DG 92G G1G)                         | 41A5298     | 1               | Y            |
| Dutch (models B1G 91G D1G 61G 8CG 8DG 92G G1G)                          | 41A5299     | 1               | Y            |
| French (models B1G 91G D1G 61G 8CG 8DG 92G G1G)                         | 41A5300     | 1               | Y            |
| German (models B1G 91G D1G 61G 8CG 8DG 92G G1G)                         | 41A5303     | 1               | Y            |
| Greek (models B1G 91G D1G 61G 8CG 8DG 92G G1G)                          | 41A5304     | 1               | Y            |
| Greek/US (models B1G 91G D1G 61G 8CG 8DG 92G G1G)                       | 41A5305     | 1               | Y            |
| Hebrew (models B1G 91G D1G 61G 8CG 8DG 92G G1G)                         | 41A5306     | 1               | Y            |
| Hungarian (models B1G 91G D1G 61G 8CG 8DG 92G G1G)                      | 41A5307     | 1               | Y            |
| Iceland (models B1G 91G D1G 61G 8CG 8DG 92G G1G)                        | 41A5308     | 1               | Y            |
| Italian 141 (models B1G 91G D1G 61G 8CG 8DG 92G G1G)                    | 41A5309     | 1               | Y            |
| Japanese (models 8BJ)   | 41A5310     | 1               | Y            |
| Norwegian (models B1G 91G D1G 61G 8CG 8DG 92G G1G)                      | 41A5313     | 1               | Y            |
| Polish (models B1G 91G D1G 61G 8CG 8DG 92G G1G)                         | 41A5314     | 1               | Y            |
| Portuguese (models B1G 91G D1G 61G 8CG 8DG 92G G1G)                     | 41A5315     | 1               | Y            |
| Romanian 096 (models B1G 91G D1G 61G 8CG 8DG 92G G1G)                   | 41A5317     | 1               | Y            |
| Romanian 446 (models B1G 91G D1G 61G 8CG 8DG 92G G1G)                   | 41A5316     | 1               | Y            |
| Russian/Cyrillic (models B1G 91G D1G 61G 8CG 8DG 92G G1G)               | 41A5318     | 1               | Y            |
| Serbian/Cyrillic (models B1G 91G D1G 61G 8CG 8DG 92G G1G)               | 41A5319     | 1               | Y            |
| Slovak (models B1G 91G D1G 61G 8CG 8DG 92G G1G)                         | 41A5320     | 1               | Y            |
| Spanish (models B1G 91G D1G 61G 8CG 8DG 92G G1G)                        | 41A5321     | 1               | Y            |
| Swedish/Finn (models B1G 91G D1G 61G 8CG 8DG 92G G1G)                   | 41A5322     | 1               | Y            |
| Swiss (models B1G 91G D1G 61G 8CG 8DG 92G G1G)                          | 41A5323     | 1               | Y            |
| Turkish 440 (models B1G 91G D1G 61G 8CG 8DG 92G G1G)                    | 41A5325     | 1               | Y            |
| Turkish 179 (models B1G 91G D1G 61G 8CG 8DG 92G G1G)                    | 41A5326     | 1               | Y            |
| UK English (models B1G 91G D1G 61G 8CG 8DG 92G G1G)                     | 41A5327     | 1               | Y            |
| US Euro (models B1G 91G D1G 61G 8CG 8DG 92G G1G)                        | 41A5328     | 1               | Y            |
| Slovenian (models B1G 91G D1G 61G 8CG 8DG 92G G1G)                      | 41A5329     | 1               | Y            |

| <b>8804 Mice</b>                                | <b>FRU#</b> | <b>CRU Tier</b> | <b>RoHS?</b> |
|---|-------------|-----------------|--------------|
| Mouse, Optical Wheel (400DPI, USB) (all models) | 41U3013     | 1               | Y            |
| Mouse, Optical Wheel (400DPI, USB) (all models) | 41U3030     | 1               | Y            |

| 8804 Mice   | FRU#    | CRU Tier | RoHS? |
|---|---------|----------|-------|
| Mouse, ScrollPoint Optical (800DPI, USB) (models CTO) | 41U3019 | 1        | Y     |

| 8804 Wireless I/O              | FRU#    | CRU Tier | RoHS? |
|--------------------------------|---------|----------|-------|
| Wireless Keyboard (models CTO) | 41A5219 | 1        | Y     |
| Wireless Mouse (models CTO)    | 41A5247 | 1        | Y     |
| Transceiver (USB) (models CTO) | 41A5246 | 1        | Y     |

| 8804 Adapters and miscellaneous FRUs                                     | FRU#    | CRU Tier | RoHS? |
|--|---------|----------|-------|
| PCI-E DVI-DConnection Adapter (Full Height) (models CTO 91G 91C 91B 91H) | 39J9334 | 1        | Y     |
| IEEE 1394 Firewire Adapter - full height (models CTO)                    | 41D2781 | 1        | Y     |
| Speakers, Lenovo Branded (models CTO)                                    | 41A5334 | 1        | Y     |
| Thermal grease syringe (all models)                                      | 91P8835 | 1        | Y     |

| 8804 Power Cords   | FRU#    | CRU Tier | RoHS? |
|--|---------|----------|-------|
| Power cord - US (models CTO-U)   | 39M5080 | 1        | Y     |
| Power cord - China (models CTO-A A1C A3C 91C)  | 39M5205 | 1        | Y     |
| Power cord - Japan (models CTO-A 8BJ)  | 39M5193 | 1        | Y     |
| Power cord - Brazil (models CTO-L)   | 39M5232 | 1        | Y     |
| Power cord - LA High Volt (APU) (models CTO-L)   | 39M5067 | 1        | Y     |
| Power cord - Australia/New Zealand (models CTO-A)  | 39M5102 | 1        | Y     |
| Power cord - Korea (models CTO-A)  | 39M5212 | 1        | Y     |
| Power cord - Hong Kong (models CTO-A 91B 91H)  | 39M5151 | 1        | Y     |
| Power cord - UK, Ireland, Singapore, Malaysia, Brunei (models CTO-G CTO-A B1G 91G D1G 61G 8CG 8DG 92G G1G) | 39M5150 | 1        | Y     |
| Power cord - Taiwan (models CTO-A A4V)   | 39M5246 | 1        | Y     |
| Power cord - Italy (models CTO-G B1G 91G D1G 61G 8CG 8DG 92G G1G)  | 39M5164 | 1        | Y     |
| Power cord - G models (models CTO-A)   | 39M5122 | 1        | Y     |
| Power cord - Denmark (models CTO-G B1G 91G D1G 61G 8CG 8DG 92G G1G)  | 39M5129 | 1        | Y     |
| Power cord - Switzerland (models CTO-G B1G 91G D1G 61G 8CG 8DG 92G G1G)                                    | 39M5157 | 1        | Y     |
| Power cord - Israel (models CTO-G B1G 91G D1G 61G 8CG 8DG 92G G1G)   | 39M5171 | 1        | Y     |
| Power cord - South Africa (models CTO-G B1G 91G D1G 61G 8CG 8DG 92G G1G)                                   | 39M5143 | 1        | Y     |
| Power cord - India (models CTO-A 8AQ)  | 39M5004 | 1        | Y     |

| 8804 Windows XP Home Recovery CDs | FRU#    | CRU Tier | RoHS? |
|-----------------------------------|---------|----------|-------|
| Simplified Chinese (models A3C)   | 42T8657 | 1        | Y     |

| 8804 Windows XP Pro Recovery CDs  | FRU#    | CRU Tier | RoHS? |
|---|---------|----------|-------|
| US/UK/AP/TH (models B1G 91G 91H D1G 8AQ 61G G1G 8CG 8DG 92G)                  | 42Y3236 | 1        | Y     |
| RE (models B1G 91G D1G 61G G1G 8CG 8DG 92G)                                   | 42Y5464 | 1        | Y     |
| FR/CF (models B1G 91G D1G 61G G1G 8CG 8DG 92G)                                | 42Y4449 | 1        | Y     |
| GR (models B1G 91G D1G 61G G1G 8CG 8DG 92G)                                   | 42Y4450 | 1        | Y     |
| SP/LA (models B1G 91G D1G 61G G1G 8CG 8DG 92G)                                | 42Y4451 | 1        | Y     |
| IT (models B1G 91G D1G 61G G1G 8CG 8DG 92G)                                   | 42Y4452 | 1        | Y     |
| SV (models B1G 91G D1G 61G G1G 8CG 8DG 92G)                                   | 42Y4454 | 1        | Y     |
| DK (models B1G 91G D1G 61G G1G 8CG 8DG 92G)                                   | 42Y4455 | 1        | Y     |
| FI (models B1G 91G D1G 61G G1G 8CG 8DG 92G)                                   | 42Y5465 | 1        | Y     |
| NO (models B1G 91G D1G 61G G1G 8CG 8DG 92G)                                   | 42Y5466 | 1        | Y     |
| NL (models B1G 91G D1G 61G G1G 8CG 8DG 92G)                                   | 42Y5467 | 1        | Y     |
| Simplified Chinese (models 91C)   | 42T8627 | 1        | Y     |
| Taiwan - TC (models A4V)  | 42T8633 | 1        | Y     |
| Hong Kong - TC (models 91B)   | 42T8639 | 1        | Y     |
| Japanese (models 8BJ)   | 42T8645 | 1        | Y     |
| HE (models B1G 91G D1G 61G G1G 8CG 8DG 92G)                                   | 42Y5468 | 1        | Y     |
| PL (models B1G 91G D1G 61G G1G 8CG 8DG 92G)                                   | 42Y5469 | 1        | Y     |
| CZ (models B1G 91G D1G 61G G1G 8CG 8DG 92G)                                   | 42Y5470 | 1        | Y     |
| AE (models B1G 91G D1G 61G G1G 8CG 8DG 92G)                                   | 42Y5471 | 1        | Y     |
| RU (models B1G 91G D1G 61G G1G 8CG 8DG 92G)                                   | 42Y5472 | 1        | Y     |
| TR (models B1G 91G D1G 61G G1G 8CG 8DG 92G)                                   | 42Y5473 | 1        | Y     |
| HU (models B1G 91G D1G 61G G1G 8CG 8DG 92G)                                   | 42Y5474 | 1        | Y     |
| PO (models B1G 91G D1G 61G G1G 8CG 8DG 92G)                                   | 42Y5475 | 1        | Y     |
| GK (models B1G 91G D1G 61G G1G 8CG 8DG 92G)                                   | 42Y5476 | 1        | Y     |
| SL (models B1G 91G D1G 61G G1G 8CG 8DG 92G)                                   | 42Y5477 | 1        | Y     |
| Multilingual 1 -- EN, NL, FR, GR, IT (models B1G 91G D1G 61G G1G 8CG 8DG 92G) | 42Y4533 | 1        | Y     |
| Multilingual 2 -- EN, DK, FI, NO, SV (models B1G 91G D1G 61G G1G 8CG 8DG 92G) | 42Y5626 | 1        | Y     |

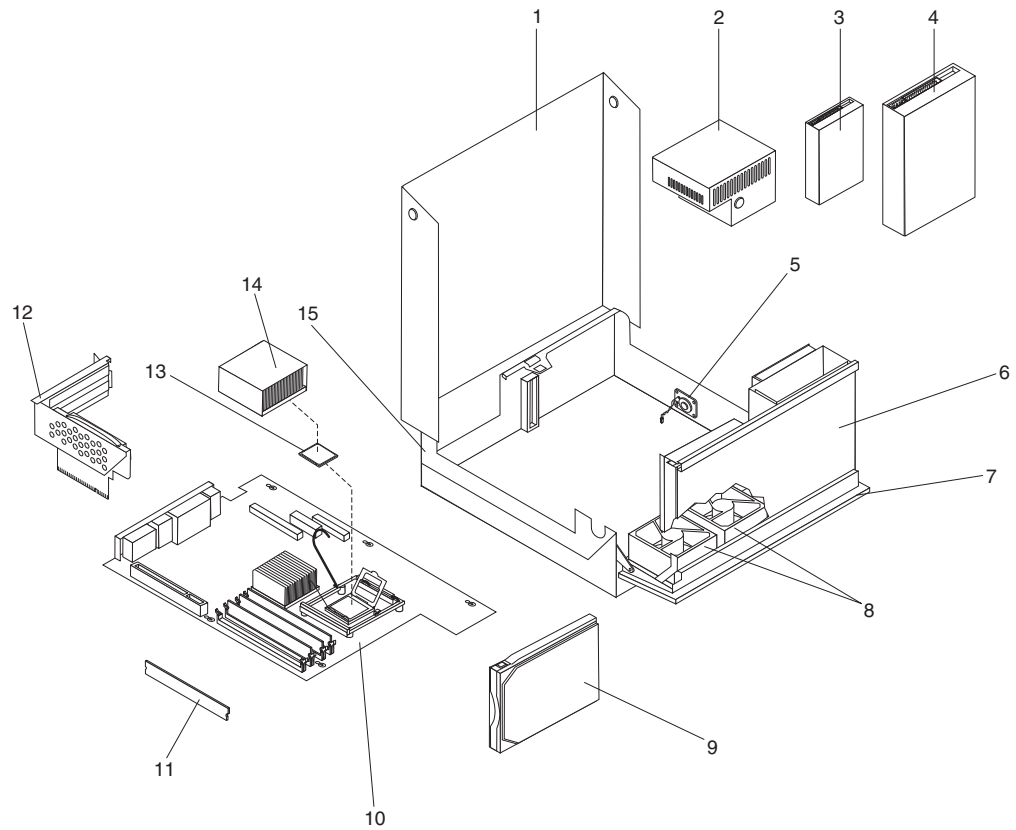
| 8804 Vista Home Basic 32 Recovery DVDs | FRU#    | CRU Tier |
|--|---------|----------|
| US/UK/AP/TH (models)                   | 43C1440 | 1        |
| FR/CF (models)                         | 43C1441 | 1        |
| GR (models)                            | 43C1442 | 1        |
| SP/LA (models)                         | 43C1443 | 1        |
| BR (models)                            | 43C1444 | 1        |
| IT (models)                            | 43C1445 | 1        |
| JP (models)                            | 43C1446 | 1        |
| NO (models)                            | 43C1447 | 1        |
| SV (models)                            | 43C1448 | 1        |
| DK (models)                            | 43C1449 | 1        |

| <b>8804 Vista Home Basic 32 Recovery DVDs</b> | <b>FRU#</b> | <b>CRU Tier</b> |
|---|-------------|-----------------|
| NL (models)                                   | 43C1450     | 1               |
| CZ (models)                                   | 43C1451     | 1               |
| FI (models)                                   | 43C1452     | 1               |
| PL (models)                                   | 43C1453     | 1               |
| RU (models)                                   | 43C1454     | 1               |
| TR (models)                                   | 43C1455     | 1               |
| HU (models)                                   | 43C1456     | 1               |
| GK (models)                                   | 43C1457     | 1               |
| PO (models)                                   | 43C1458     | 1               |
| CS (models)                                   | 43C1459     | 1               |
| TW (models)                                   | 43C1460     | 1               |
| HK (models)                                   | 43C1461     | 1               |
| KR (models)                                   | 43C1462     | 1               |
| SL (models)                                   | 43C1463     | 1               |
| RE (models)                                   | 43C1464     | 1               |

| <b>8804 Vista Business 32 Recovery DVDs</b> | <b>FRU#</b> | <b>CRU Tier</b> |
|---|-------------|-----------------|
| US/UK/AP/TH (models 8CG 8DG 92G)            | 43C1390     | 1               |
| FR/CF (models 8CG 8DG 92G)                  | 43C1391     | 1               |
| GR (models 8CG 8DG 92G)                     | 43C1392     | 1               |
| SP/LA (models 8CG 8DG 92G)                  | 43C1393     | 1               |
| IT (models 8CG 8DG 92G)                     | 43C1395     | 1               |
| JP (models 8BJ)                             | 43C1396     | 1               |
| NO (models 8CG 8DG 92G)                     | 43C1397     | 1               |
| SV (models 8CG 8DG 92G)                     | 43C1398     | 1               |
| DK (models 8CG 8DG 92G)                     | 43C1399     | 1               |
| NL (models 8CG 8DG 92G)                     | 43C1400     | 1               |
| CZ (models 8CG 8DG 92G)                     | 43C1401     | 1               |
| FI (models 8CG 8DG 92G)                     | 43C1402     | 1               |
| PL (models 8CG 8DG 92G)                     | 43C1403     | 1               |
| RU (models 8CG 8DG 92G)                     | 43C1404     | 1               |
| TR (models 8CG 8DG 92G)                     | 43C1405     | 1               |
| HU (models 8CG 8DG 92G)                     | 43C1406     | 1               |
| GK (models 8CG 8DG 92G)                     | 43C1407     | 1               |
| PO (models 8CG 8DG 92G)                     | 43C1408     | 1               |
| SL (models 8CG 8DG 92G)                     | 43C1413     | 1               |
| RE (models 8CG 8DG 92G)                     | 43C1414     | 1               |



# Machine Type 8805



| Item # | 8805 FRUs  | FRU#    | CRU Tier | RoHS? |
|--------|--|---------|----------|-------|
| 1      | Top cover (all models)   | 41R4835 | 2        | Y     |
| 2      | Power Supply, 275 active PFC-WW, China, JAPAN (models CTO B1G 91G D1G B2G 92G A2V 91B 91H D2Q D4Q D3G) | 41A9640 | 2        | Y     |
| 2      | Power Supply (225 Watt) (models CTO B1G 91G D1G B2G 92G D3G)   | 41N3432 | 2        | Y     |
| 2      | Power Supply - China (225 Watt) (models CTO-A A2V 91B 91H D2Q D4Q)                                     | 41N3436 | 2        | Y     |
| 2      | Power Supply - Japan (225 Watt) (models CTO-A)   | 41N3441 | 2        | Y     |
| 3      | Diskette drive, 3.5" 1.44MB 2-mode (models CTO A2V D2Q)  | 40Y9107 | 1        | Y     |
| 3      | Diskette drive, 3.5" 1.44MB 2-mode (models CTO A2V D2Q)  | 40Y9105 | 1        | Y     |
| 4      | DVD-ROM 16X/48X - Black-NON/VISTA (models CTO A2V B1G B2G D3G)   | 41N3325 | 1        | Y     |
| 4      | CD-RW/DVD-ROM Combo Drive 48X/32X/48X/16X Max----nonvista/vista (models CTO D1G D4Q)                   | 42Y9353 | 1        | Y     |
| 4      | DVD-RW/CD-RW Rambo 7 - SATA (models CTO 91G 91B 91H)   | 42Y6374 | 1        | Y     |
| 4      | DVD-RW/CD-RW Rambo 7 - SATA (models CTO 91G 91B 91H)   | 42Y6373 | 1        | Y     |
| 4      | DVD Recorder Rambo 8 - SATA (models CTO)   | 43C1042 | 1        | Y     |
| 5      | Speaker/cable assembly (all models)  | 39K5012 | 1        | Y     |
| 6      | Rotating cage assembly (all models)  | 41N5324 | 2        | Y     |
| 7      | Bezel Kit (all models)   | 41N5322 | 1        | Y     |
| 8      | Front fan and bracket assembly (all models)  | 39M0585 | 2        | Y     |

| Item # | 8805 FRUs   | FRU#    | CRU Tier | RoHS? |
|--------|---|---------|----------|-------|
| 9      | Hard Disk Drive 80GB 7200 rpm Serial ATA (models CTO A2V B1G D2Q B2G D3G) | 40Y9034 | 1        | Y     |
| 9      | Hard Disk Drive 80GB 7200 rpm Serial ATA (models CTO A2V B1G D2Q B2G D3G) | 40Y8761 | 1        | Y     |
| 9      | Hard Disk Drive 160GB 7200 rpm Serial ATA (models CTO D1G D4Q)            | 40Y9035 | 1        | Y     |
| 9      | Hard Disk Drive 160GB 7200 rpm Serial ATA (models CTO D1G D4Q)            | 40Y8762 | 1        | Y     |
| 9      | Hard Disk Drive 250GB 7200 rpm Serial ATA (models CTO 91G 91B 91H 92G)    | 40Y9036 | 1        | Y     |
| 9      | Hard Disk Drive 250GB 7200 rpm Serial ATA (models CTO 91G 91B 91H 92G)    | 40Y8763 | 1        | Y     |
| 9      | Hard Disk Drive 500GB 7200 rpm Serial ATA (models CTO)                    | 41X5582 | 1        | Y     |
| 10     | System Board (models CTO A2V B1G 91G 91B 91H D1G D2Q B2G 92G D3G D4G)     | 43C7180 | 2        | Y     |
| 10     | System Board (models CTO A2V B1G 91G 91B 91H D1G D2Q B2G 92G D3G D4Q)     | 45C0083 | 2        | Y     |
| 11     | Memory - 512MB DDR2 SDRAM NP Memory (PC 4200) (models CTO)                | 30R5121 | 1        | Y     |
| 11     | Memory - 512MB DDR2 SDRAM NP Memory (PC 4200) (models CTO)                | 41X4251 | 1        | Y     |
| 11     | Memory - 1GB DDR2 SDRAM NP Memory (PC 4200) (models CTO)                  | 30R5122 | 1        | Y     |
| 11     | Memory - 2GB DDR2 SDRAM NP Memory (PC 4200) (models CTO)                  | 30R5123 | 1        | Y     |
| 11     | Memory - 512MB DDR2 SDRAM NP (PC 5300) (models CTO B1G D1G B2G 92G)       | 30R5125 | 1        | Y     |
| 11     | Memory - 1GB DDR2 SDRAM NP (PC 5300) (models CTO 91G 91B 91H D2Q D3G D4Q) | 41X4252 | 1        | Y     |
| 11     | Memory - 1GB DDR2 SDRAM NP (PC 5300) (models CTO 91G 91B 91H D2Q D3G D4Q) | 30R5126 | 1        | Y     |
| 11     | Memory - 2GB DDR2 SDRAM NP (PC 5300) (models CTO)                         | 30R5127 | 1        | Y     |
| 11     | Memory - 512MB DDR2 SDRAM NP (PC 6400) (models CTO)                       | 41X1079 | 1        | Y     |
| 11     | Memory - 1GB DDR2 SDRAM NP (PC 6400) (models CTO)                         | 41X1080 | 1        | Y     |
| 11     | Memory - 2GB DDR2 SDRAM NP (PC 6400) (models CTO)                         | 41X1081 | 1        | Y     |
| 12     | Riser card and bracket assembly (all models)                              | 39M0587 | 1        | Y     |
| 13     | Microprocessor, Pentium 4 3.06 GHz 533 FSB 1MB L2 (models CTO)            | 41T4104 | N        | Y     |
| 13     | Microprocessor, Pentium 4 3.0 GHz 800 FSB 1MB L2 (models CTO)             | 41T1701 | N        | Y     |
| 13     | Microprocessor, Pentium 4 3.2 GHz 800 FSB 1MB L2 (models CTO)             | 41T1702 | N        | Y     |
| 13     | Microprocessor, Pentium 4 3.0 GHz 800 FSB 2MB L2 (models CTO)             | 41T1712 | N        | Y     |
| 13     | Microprocessor, Pentium 4 3.2 GHz 800 FSB 2MB L2 (models CTO)             | 41T1713 | N        | Y     |
| 13     | Microprocessor, Pentium 4 3.4 GHz 800 FSB 2MB L2 (models CTO)             | 41T1714 | N        | Y     |
| 13     | Microprocessor, Pentium 4 3.6 GHz 800 FSB 2MB L2 (models CTO)             | 41T1715 | N        | Y     |
| 13     | Microprocessor, Pentium 4 3.6 GHz 800 FSB 2MB L2 (models CTO)             | 41T1715 | N        | Y     |
| 13     | Microprocessor, Pentium D 2.8 GHz 800 FSB 2Mx2 L2 (models CTO)            | 41T1704 | N        | Y     |
| 13     | Microprocessor, Pentium D 3.0 GHz 800 FSB 2Mx2 L2 (models CTO D1G D2Q)    | 41X2413 | N        | Y     |
| 13     | Microprocessor, Pentium D 3.0 GHz 800 FSB 2Mx2 L2 (models CTO)            | 41T1717 | N        | Y     |
| 13     | Microprocessor, Pentium D 3.2 GHz 800 FSB 2Mx2 L2 (models CTO)            | 41X8050 | N        | Y     |

| Item # | 8805 FRUs   | FRU#    | CRU Tier | RoHS? |
|--------|---|---------|----------|-------|
| 13     | Microprocessor, Pentium D 3.4 GHz 800 FSB 2Mx2 L2 (models CTO)                                | 41X7776 | N        | Y     |
| 13     | Microprocessor, Pentium E2140 800/1600MHZ-1M, LGA, EM64T (models CTO D4Q)                     | 43C1967 | N        | Y     |
| 13     | Microprocessor, Pentium E2160 800/1800MHZ-1M, LGA, EM64T (models CTO)                         | 43C1968 | N        | Y     |
| 13     | Microprocessor, Pentium CONROE-L E2180 2.0GHz 800MHz FSB, 1M, EM64T (models)                  | 45C1773 | N        | Y     |
| 13     | Microprocessor, Pentium CONROE-L E2220 2.4GHz 800MHz FSB, 1M, EM64T (models)                  | 45C1774 | N        | Y     |
| 13     | Microprocessor, Core 2 Duo E4500 Processor 2.2GHz 800MHz FSB 2M (models)                      | 43C6305 | N        | Y     |
| 13     | Microprocessor, Conroe E6300 Processor 1.86GHz 1066MHz FSB 2M L2 (models CTO 91G 91B 91H 92G) | 41X2495 | N        | Y     |
| 13     | Microprocessor, Core 2 Duo E6320 1.86GHz 1066MHz FSB 4M B2 (models CTO)                       | 43C3829 | N        | Y     |
| 13     | Microprocessor, Conroe E6400 Processor 2.13GHz 1066MHz FSB 2M L2 (models CTO)                 | 41X2496 | N        | Y     |
| 13     | Microprocessor, Core 2 Duo E6400 Processor 2.13GHz 1066MHz FSB 2M L2 (models CTO)             | 43C3831 | N        | Y     |
| 13     | Microprocessor, Celeron D 2.66GHz 533MHz FSB 256KB L2 (models CTO)                            | 41T1694 | N        | Y     |
| 13     | Microprocessor, Celeron D 2.80GHz 533MHz FSB 256KB L2 (models CTO A2V)                        | 41T1695 | N        | Y     |
| 13     | Microprocessor, Celeron D 2.93GHz 533MHz FSB 256KB L2 (models CTO)                            | 41T1696 | N        | Y     |
| 13     | Microprocessor, Celeron D 3.06GHz 533MHz FSB 256KB L2 (models CTO)                            | 41T1697 | N        | Y     |
| 13     | Microprocessor, Celeron D 3.06GHz 533MHz FSB 512KB L2 (models CTO)                            | 42Y8530 | N        | Y     |
| 13     | Microprocessor, Celeron D 3.20GHz 533MHz FSB 256KB L2 (models CTO B1G B2G)                    | 41T1698 | N        | Y     |
| 13     | Microprocessor, Celeron D 3.20GHz 533MHz FSB 512KB L2 (models CTO)                            | 41T4966 | N        | Y     |
| 13     | Microprocessor, Celeron D 3.33GHz 533MHz FSB 512KB L2 (models CTO)                            | 41T4968 | N        | Y     |
| 13     | Microprocessor, Celeron 420 800/1600MHZ-512K,LGA,EM64T A1 (models CTO D3G)                    | 43C3835 | N        | Y     |
| 13     | Microprocessor, Celeron 430 800/1800MHZ-512K,LGA,EM64T A1 (models CTO)                        | 43C1964 | N        | Y     |
| 13     | Microprocessor, Celeron 440 800/1800MHZ-512K,LGA,EM64T A1 (models CTO)                        | 43C1965 | N        | Y     |
| 13     | Microprocessor, Core 2 Duo E4300 1.8GHz 800MHz FSB 2M L2 (models CTO)                         | 42Y8009 | N        | Y     |
| 13     | Microprocessor, Core 2 Duo E4400 2.0GHz 800MHz FSB 2M L2 (models CTO)                         | 43C2056 | N        | Y     |
| 14     | Heat Sink and Retention Module kit (all models)   | 41A7713 | 2        | Y     |
| 15     | Mechanical base (all models)  | 41R4841 | 2        | Y     |

The FRUs listed in the following table are not illustrated.

| 8805 FRUs   | FRU#    | CRU Tier | RoHS? |
|---|---------|----------|-------|
| Hard disk drive bracket assembly (all models)   | 39M0578 | 1        | Y     |
| Power switch/LED cable assembly (all models)  | 39M0580 | 2        | Y     |
| SATA cable assembly (all models)  | 39K0526 | 1        | Y     |
| Optical cable, 1 drop (all models)  | 39M0584 | 1        | Y     |
| Intrusion switch cable (models CTO A2V A3V A4V B1G 8LG 91G B1B B1H 81C 81B 81H 91B 91H 91V D1G) | 39K5022 | 1        | Y     |
| Miscellaneous parts kit (all models)  | 39M0588 | 1        | Y     |
| Vertical stand (all models)   | 39M0589 | 1        | Y     |
| Bezel assembly, optical rotating (all models)   | 39M0592 | 2        | Y     |
| EMC Shield kit (diskette drive and optical bays) (all models)                                   | 41N5325 | 1        | Y     |
| EMC Shield, system board (all models)   | 41N5326 | 1        | Y     |
| Thermal sense cable (460 mm) (all models)   | 41R2509 | 1        | Y     |
| Cable asm, diskette drive (all models)  | 41N8269 | 1        | Y     |
| AC-DC converter, ADP, internal enclosed assembly, 275WATTS (all models)                         | 41A9640 | 1        | Y     |
| Universal Adapter Bracket 5.25 to 3.5-inch (all models)   | 32P4743 | 1        | Y     |

| 8805 Keyboards (USB Preferred - without hub)            | FRU#    | CRU Tier | RoHS? |
|---|---------|----------|-------|
| US English (models B1G 91G 91H D1G D2Q B2G 92G D3G D4Q) | 41A5289 | 1        | Y     |
| Arabic (models B1G 91G D1G B2G 92G D3G)                 | 41A5290 | 1        | Y     |
| Arabic/French (models B1G 91G D1G B2G 92G D3G)          | 41A5291 | 1        | Y     |
| Belgian/French (models B1G 91G D1G B2G 92G D3G)         | 41A5292 | 1        | Y     |
| Belgian/UK (models B1G 91G D1G B2G 92G D3G)             | 41A5293 | 1        | Y     |
| Bulgarian (models B1G 91G D1G B2G 92G D3G)              | 41A5295 | 1        | Y     |
| Chinese/US (models A2V 91B)                             | 41A5296 | 1        | Y     |
| Czech (models B1G 91G D1G B2G 92G D3G)                  | 41A5297 | 1        | Y     |
| Danish (models B1G 91G D1G B2G 92G D3G)                 | 41A5298 | 1        | Y     |
| Dutch (models B1G 91G D1G B2G 92G D3G)                  | 41A5299 | 1        | Y     |
| French (models B1G 91G D1G B2G 92G D3G)                 | 41A5300 | 1        | Y     |
| German (models B1G 91G D1G B2G 92G D3G)                 | 41A5303 | 1        | Y     |
| Greek (models B1G 91G D1G B2G 92G D3G)                  | 41A5304 | 1        | Y     |
| Greek/US (models B1G 91G D1G B2G 92G D3G)               | 41A5305 | 1        | Y     |
| Hebrew (models B1G 91G D1G B2G 92G D3G)                 | 41A5306 | 1        | Y     |
| Hungarian (models B1G 91G D1G B2G 92G D3G)              | 41A5307 | 1        | Y     |
| Iceland (models B1G 91G D1G B2G 92G D3G)                | 41A5308 | 1        | Y     |
| Italian 141 (models B1G 91G D1G B2G 92G D3G)            | 41A5309 | 1        | Y     |
| Norwegian (models B1G 91G D1G B2G 92G D3G)              | 41A5313 | 1        | Y     |
| Polish (models B1G 91G D1G B2G 92G D3G)                 | 41A5314 | 1        | Y     |
| Portuguese (models B1G 91G D1G B2G 92G D3G)             | 41A5315 | 1        | Y     |
| Romanian 096 (models B1G 91G D1G B2G 92G D3G)           | 41A5317 | 1        | Y     |
| Romanian 446 (models B1G 91G D1G B2G 92G D3G)           | 41A5316 | 1        | Y     |

| <b>8805 Keyboards (USB Preferred - without hub)</b> | <b>FRU#</b> | <b>CRU Tier</b> | <b>RoHS?</b> |
|---|-------------|-----------------|--------------|
| Russian/Cyrillic (models B1G 91G D1G B2G 92G D3G)   | 41A5318     | 1               | Y            |
| Serbian/Cyrillic (models B1G 91G D1G B2G 92G D3G)   | 41A5319     | 1               | Y            |
| Slovak (models B1G 91G D1G B2G 92G D3G)             | 41A5320     | 1               | Y            |
| Spanish (models B1G 91G D1G B2G 92G D3G)            | 41A5321     | 1               | Y            |
| Swedish/Finn (models B1G 91G D1G B2G 92G D3G)       | 41A5322     | 1               | Y            |
| Swiss (models B1G 91G D1G B2G 92G D3G)              | 41A5323     | 1               | Y            |
| Turkish 440 (models B1G 91G D1G B2G 92G D3G)        | 41A5325     | 1               | Y            |
| Turkish 179 (models B1G 91G D1G B2G 92G D3G)        | 41A5326     | 1               | Y            |
| UK English (models B1G 91G D1G B2G 92G D3G)         | 41A5327     | 1               | Y            |
| US Euro (models B1G 91G D1G B2G 92G D3G)            | 41A5328     | 1               | Y            |
| Slovenian (models B1G 91G D1G B2G 92G D3G)          | 41A5329     | 1               | Y            |

| <b>8805 Mice</b>                                      | <b>FRU#</b> | <b>CRU Tier</b> | <b>RoHS?</b> |
|---|-------------|-----------------|--------------|
| Mouse, Optical Wheel (400DPI, USB) (all models)       | 41U3013     | 1               | Y            |
| Mouse, Optical Wheel (400DPI, USB) (all models)       | 41U3030     | 1               | Y            |
| Mouse, ScrollPoint Optical (800DPI, USB) (models CTO) | 41U3019     | 1               | Y            |

| <b>8805 Wireless I/O</b>       | <b>FRU#</b> | <b>CRU Tier</b> | <b>RoHS?</b> |
|--------------------------------|-------------|-----------------|--------------|
| Wireless Keyboard (models CTO) | 41A5219     | 1               | Y            |
| Wireless Mouse (models CTO)    | 41A5247     | 1               | Y            |
| Transceiver (USB) (models CTO) | 41A5246     | 1               | Y            |

| <b>8805 Adapters and miscellaneous FRUs</b>                                      | <b>FRU#</b> | <b>CRU Tier</b> | <b>RoHS?</b> |
|--|-------------|-----------------|--------------|
| 128MB DDR ATI Radeon x300SE (DMS59 connector) (models CTO D2Q)                   | 39J9635     | 1               | Y            |
| PCI-E DVI-DConnection Adapter (Full Height) (models CTO 91G 91B 91H D1G B2G 92G) | 39J9334     | 1               | Y            |
| Nvidia GeForce 7300LE 128MB 64bit ATX/LP w/S-Video, no DVI (models CTO)          | 41X2669     | 1               | Y            |
| IEEE 1394 Firewire Adapter - full height (models CTO)                            | 41D2781     | 1               | Y            |
| Speakers, (2-piece) (Lenovo logo) (models CTO)                                   | 41A5331     | 1               | Y            |
| Speakers, Lenovo Branded (models CTO)  | 41A5334     | 1               | Y            |
| Speaker Power brick - US, Canada, LA low voltage, ASEAN (models CTO)             | 89P8571     | 1               | Y            |
| Speaker Power brick - LA high voltage (non-APU) (models CTO)                     | 89P8575     | 1               | Y            |
| Speaker Power brick - China, Thailand (models CTO)                               | 89P8581     | 1               | Y            |
| Speaker Power brick - Japan (models CTO)   | 89P8577     | 1               | Y            |
| Speaker Power brick - Brazil (models CTO)  | 89P8583     | 1               | Y            |
| Speaker Power brick - Argentina (models CTO)                                     | 41A4901     | 1               | Y            |
| Speaker Power brick - ANZ (models CTO)   | 89P8579     | 1               | Y            |
| Speaker Power brick - Korea (models CTO)   | 41A4903     | 1               | Y            |

| 8805 Adapters and miscellaneous FRUs  | FRU#    | CRU Tier | RoHS? |
|---|---------|----------|-------|
| Speaker Brick - Hong Kong, EMEA (models CTO)                                | 89P8573 | 1        | Y     |
| Speaker Power brick - Taiwan (models CTO)                                   | 41A4905 | 1        | Y     |
| Speaker Power brick - India, South Africa (models CTO)                      | 89P8585 | 1        | Y     |
| Thermal grease syringe (all models)   | 91P8835 | 1        | Y     |
| Nvidia GeForce 7300LE 128MB 64bit ATX/LP w/S-Video, with DMS59 (models CTO) | 42Y8165 | 1        | Y     |
| ATI X1300LE 256M 64bit LP/ATX with DMS59 (models CTO)                       | 42Y8162 | 1        | Y     |
| Dongle DMS Dule DMS-59 to dual VGA cable (models CTO)                       | 42Y8181 | 1        | Y     |
| Dongle DMS Dule DMS-59 to single VGA and DVI cable (models CTO)             | 42Y8183 | 1        | Y     |
| Dongle DMS Dule DMS-59 to dual DVI - I cable (models CTO)                   | 41X6398 | 1        | Y     |

| 8805 Power Cords   | FRU#    | CRU Tier | RoHS? |
|--|---------|----------|-------|
| Power cord - US (models CTO-U)   | 39M5080 | 1        | Y     |
| Power cord - China (models CTO-A)  | 39M5205 | 1        | Y     |
| Power cord - Japan (models CTO-A)  | 39M5193 | 1        | Y     |
| Power cord - Brazil (models CTO-L)   | 39M5232 | 1        | Y     |
| Power cord - LA High Volt (APU) (models CTO-L)   | 39M5067 | 1        | Y     |
| Power cord - Australia/New Zealand (models CTO-A)  | 39M5102 | 1        | Y     |
| Power cord - Korea (models CTO-A)  | 39M5212 | 1        | Y     |
| Power cord - Hong Kong (models CTO-A 91B 91H)  | 39M5151 | 1        | Y     |
| Power cord - UK, Ireland, Singapore, Malaysia, Brunei (models CTO-G CTO-A B1G 91G D1G B2G 92G D3G) | 39M5150 | 1        | Y     |
| Power cord - Taiwan (models CTO-A A2V)   | 39M5246 | 1        | Y     |
| Power cord - Italy/Chile (models CTO-G B1G 91G D1G B2G 92G D3G)                                    | 39M5164 | 1        | Y     |
| Power cord - G models (models CTO-A)   | 39M5122 | 1        | Y     |
| Power cord - Denmark (models CTO-G B1G 91G D1G B2G 92G D3G)  | 39M5129 | 1        | Y     |
| Power cord - Switzerland (models CTO-G B1G 91G D1G B2G 92G D3G)                                    | 39M5157 | 1        | Y     |
| Power cord - Israel (models CTO-G B1G 91G D1G B2G 92G D3G)   | 39M5171 | 1        | Y     |
| Power cord - South Africa (models CTO-G B1G 91G D1G B2G 92G D3G)                                   | 39M5143 | 1        | Y     |
| Power cord - India (models CTO-A D2Q D4Q)  | 39M5004 | 1        | Y     |

| 8805 Windows XP Pro Recovery CDs   | FRU#    | CRU Tier | RoHS? |
|--|---------|----------|-------|
| US/UK/AP/TH (models B1G 91G 91H D1G D2Q B1G 91G 91H D1G D2Q D3G B2G 92G D4Q) | 42Y3236 | 1        | Y     |
| RE (models B1G 91G D1G B1G 91G D1G D3G B2G 92G)                              | 42Y5464 | 1        | Y     |
| FR/CF (models B1G 91G D1G B1G 91G D1G D3G B2G 92G)                           | 42Y4449 | 1        | Y     |
| GR (models B1G 91G D1G B1G 91G D1G D3G B2G 92G)                              | 42Y4450 | 1        | Y     |
| SP/LA (models B1G 91G D1G B1G 91G D1G D3G B2G 92G)                           | 42Y4451 | 1        | Y     |
| IT (models B1G 91G D1G B1G 91G D1G D3G B2G 92G)                              | 42Y4452 | 1        | Y     |

| <b>8805 Windows XP Pro Recovery CDs</b>   | <b>FRU#</b> | <b>CRU Tier</b> | <b>RoHS?</b> |
|---|-------------|-----------------|--------------|
| SV (models B1G 91G D1G B1G 91G D1G D3G B2G 92G)                                   | 42Y4454     | 1               | Y            |
| DK (models B1G 91G D1G B1G 91G D1G D3G B2G 92G)                                   | 42Y4455     | 1               | Y            |
| FI (models B1G 91G D1G B1G 91G D1G D3G B2G 92G)                                   | 42Y5465     | 1               | Y            |
| NO (models B1G 91G D1G B1G 91G D1G D3G B2G 92G)                                   | 42Y5466     | 1               | Y            |
| NL (models B1G 91G D1G B1G 91G D1G D3G B2G 92G)                                   | 42Y5467     | 1               | Y            |
| Taiwan - TC (models A2V A3V A4V)  | 42T8633     | 1               | Y            |
| Hong Kong - TC (models 91B 91H)   | 42T8639     | 1               | Y            |
| HE (models B1G 91G D1G B1G 91G D1G D3G B2G 92G)                                   | 42Y5468     | 1               | Y            |
| PL (models B1G 91G D1G B1G 91G D1G D3G B2G 92G)                                   | 42Y5469     | 1               | Y            |
| CZ (models B1G 91G D1G B1G 91G D1G D3G B2G 92G)                                   | 42Y5470     | 1               | Y            |
| AE (models B1G 91G D1G B1G 91G D1G D3G B2G 92G)                                   | 42Y5471     | 1               | Y            |
| RU (models B1G 91G D1G B1G 91G D1G D3G B2G 92G)                                   | 42Y5472     | 1               | Y            |
| TR (models B1G 91G D1G B1G 91G D1G D3G B2G 92G)                                   | 42Y5473     | 1               | Y            |
| HU (models B1G 91G D1G B1G 91G D1G D3G B2G 92G)                                   | 42Y5474     | 1               | Y            |
| PO (models B1G 91G D1G B1G 91G D1G D3G B2G 92G)                                   | 42Y5475     | 1               | Y            |
| GK (models B1G 91G D1G B1G 91G D1G D3G B2G 92G)                                   | 42Y5476     | 1               | Y            |
| SL (models B1G 91G D1G B1G 91G D1G D3G B2G 92G)                                   | 42Y5477     | 1               | Y            |
| Multilingual 1 -- EN, NL, FR, GR, IT (models B1G 91G D1G B1G 91G D1G D3G B2G 92G) | 42Y4533     | 1               | Y            |
| Multilingual 2 -- EN, DK, FI, NO, SV (models B1G 91G D1G B1G 91G D1G D3G B2G 92G) | 42Y5626     | 1               | Y            |

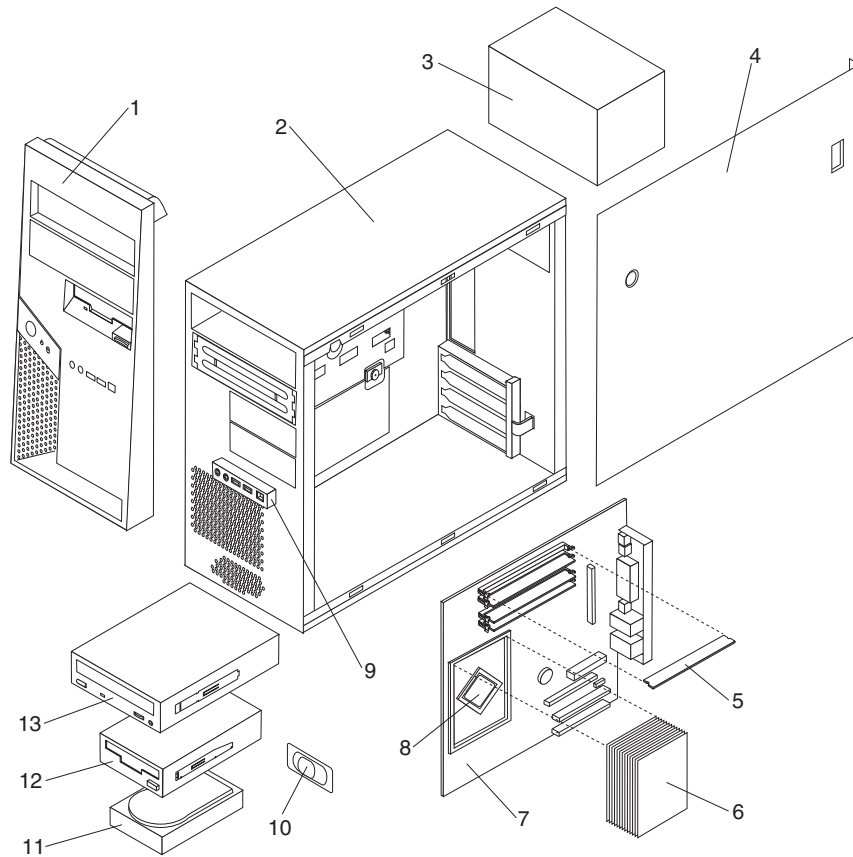
| <b>8805 Vista Home Basic 32 Recovery DVDs</b> | <b>FRU#</b> | <b>CRU Tier</b> |
|---|-------------|-----------------|
| US/UK/AP/TH (models)                          | 43C1440     | 1               |
| FR/CF (models)                                | 43C1441     | 1               |
| GR (models)                                   | 43C1442     | 1               |
| SP/LA (models)                                | 43C1443     | 1               |
| BR (models)                                   | 43C1444     | 1               |
| IT (models)                                   | 43C1445     | 1               |
| JP (models)                                   | 43C1446     | 1               |
| NO (models)                                   | 43C1447     | 1               |
| SV (models)                                   | 43C1448     | 1               |
| DK (models)                                   | 43C1449     | 1               |
| NL (models)                                   | 43C1450     | 1               |
| CZ (models)                                   | 43C1451     | 1               |
| FI (models)                                   | 43C1452     | 1               |
| PL (models)                                   | 43C1453     | 1               |
| RU (models)                                   | 43C1454     | 1               |
| TR (models)                                   | 43C1455     | 1               |
| HU (models)                                   | 43C1456     | 1               |
| GK (models)                                   | 43C1457     | 1               |

| <b>8805 Vista Home Basic 32 Recovery DVDs</b> | <b>FRU#</b> | <b>CRU Tier</b> |
|---|-------------|-----------------|
| PO (models)                                   | 43C1458     | 1               |
| CS (models)                                   | 43C1459     | 1               |
| TW (models)                                   | 43C1460     | 1               |
| HK (models)                                   | 43C1461     | 1               |
| KR (models)                                   | 43C1462     | 1               |
| SL (models)                                   | 43C1463     | 1               |
| RE (models)                                   | 43C1464     | 1               |

| <b>8805 Vista Business 32 Recovery DVDs</b> | <b>FRU#</b> | <b>CRU Tier</b> |
|---|-------------|-----------------|
| US/UK/AP/TH (models B2G 92G D4Q)            | 43C1390     | 1               |
| FR/CF (models B2G 92G)                      | 43C1391     | 1               |
| GR (models B2G 92G)                         | 43C1392     | 1               |
| SP/LA (models B2G 92G)                      | 43C1393     | 1               |
| IT (models B2G 92G)                         | 43C1395     | 1               |
| NO (models B2G 92G)                         | 43C1397     | 1               |
| SV (models B2G 92G)                         | 43C1398     | 1               |
| DK (models B2G 92G)                         | 43C1399     | 1               |
| NL (models B2G 92G)                         | 43C1400     | 1               |
| CZ (models B2G 92G)                         | 43C1401     | 1               |
| FI (models B2G 92G)                         | 43C1402     | 1               |
| PL (models B2G 92G)                         | 43C1403     | 1               |
| RU (models B2G 92G)                         | 43C1404     | 1               |
| TR (models B2G 92G)                         | 43C1405     | 1               |
| HU (models B2G 92G)                         | 43C1406     | 1               |
| GK (models B2G 92G)                         | 43C1407     | 1               |
| PO (models B2G 92G)                         | 43C1408     | 1               |
| SL (models B2G 92G)                         | 43C1413     | 1               |
| RE (models B2G 92G)                         | 43C1414     | 1               |



# Machine Type 8806



| Item # | 8806 FRUs   | FRU#    | CRU Tier | RoHS? |
|--------|---|---------|----------|-------|
| 1      | Bezel Asm (all models)  | 41A7857 | 1        | Y     |
| 2      | Chassis Asm (all models)  | 41A7863 | N        | Y     |
| 3      | Power supply, 310 W, standard (models CTO B1G 91G A8G D1G 93G D6G)  | 41N3449 | 2        | Y     |
| 3      | Power supply, 310 W, China (models CTO-A A1V B1B B1H A8B A8H 92V 92C D1V D3Q D4Q 94V 95V D5Q)                   | 41N3452 | 2        | Y     |
| 3      | Power supply, 310 W, Japan (models CTO-A)   | 41N3456 | 2        | Y     |
| 4      | Cover (all models)  | 39M0465 | 1        | Y     |
| 5      | Memory - 512MB DDR2 SDRAM NP Memory (PC 4200) (models CTO)  | 30R5121 | 1        | Y     |
| 5      | Memory - 512MB DDR2 SDRAM NP Memory (PC 4200) (models CTO)  | 41X4251 | 1        | Y     |
| 5      | Memory - 1GB DDR2 SDRAM NP Memory (PC 4200) (models CTO)  | 30R5122 | 1        | Y     |
| 5      | Memory - 2GB DDR2 SDRAM NP Memory (PC 4200) (models CTO)  | 30R5123 | 1        | Y     |
| 5      | Memory - 512MB DDR2 SDRAM NP (PC 5300) (models CTO B1G B1B B1H A8G A8B A8H 92V 92C D1G D1V D4Q 93G 94V 95V D5Q) | 30R5125 | 1        | Y     |
| 5      | Memory - 1GB DDR2 SDRAM NP (PC 5300) (models CTO 91G D6G)   | 30R5126 | 1        | Y     |
| 5      | Memory - 1GB DDR2 SDRAM NP (PC 5300) (models CTO 91G D6G)   | 41X4252 | 1        | Y     |
| 5      | Memory - 2GB DDR2 SDRAM NP (PC 5300) (models CTO)   | 30R5127 | 1        | Y     |
| 5      | Memory - 512MB DDR2 SDRAM NP (PC 6400) (models CTO)   | 41X1079 | 1        | Y     |

| Item # | 8806 FRUs  | FRU#    | CRU Tier | RoHS? |
|--------|--|---------|----------|-------|
| 5      | Memory - 1GB DDR2 SDRAM NP (PC 6400) (models CTO)  | 41X1080 | 1        | Y     |
| 5      | Memory - 2GB DDR2 SDRAM NP (PC 6400) (models CTO)  | 41X1081 | 1        | Y     |
| 6      | Heat sink, aluminum (all models)   | 41A7855 | 2        | Y     |
| 7      | System board (AMT), (models CTO A1V B1G 91G B1B B1H A8G A8B A8H D1G D1V D3Q D4Q 93G 94V 95V D6G D5Q) | 43C7178 | N        | Y     |
| 7      | System board (AMT), (models CTO 92V 92C)   | 43C7179 | N        | Y     |
| 8      | Microprocessor, Pentium 4 3.06 GHz 533 FSB 1MB L2 (models CTO)                                       | 41T4104 | N        | Y     |
| 8      | Microprocessor, Pentium 4 3.0 GHz 800 FSB 1MB L2 (models CTO)  | 41T1701 | N        | Y     |
| 8      | Microprocessor, Pentium 4 3.2 GHz 800 FSB 1MB L2 (models CTO)  | 41T1702 | N        | Y     |
| 8      | Microprocessor, Pentium 4 3.0 GHz 800 FSB 2MB L2 (models CTO)  | 41T1712 | N        | Y     |
| 8      | Microprocessor, Pentium 4 3.2 GHz 800 FSB 2MB L2 (models CTO)  | 41T1713 | N        | Y     |
| 8      | Microprocessor, Pentium 4 3.4 GHz 800 FSB 2MB L2 (models CTO)  | 41T1714 | N        | Y     |
| 8      | Microprocessor, Pentium 4 3.6 GHz 800 FSB 2MB L2 (models CTO)  | 41T1715 | N        | Y     |
| 8      | Microprocessor, Pentium D 2.8 GHz 800 FSB 2Mx2 L2 (models CTO)                                       | 41T1704 | N        | Y     |
| 8      | Microprocessor, Pentium D 2.8 GHz 800 FSB 2Mx2 L2 (models CTO 95V)                                   | 41X7775 | N        | Y     |
| 8      | Microprocessor, Pentium D 3.0 GHz 800 FSB 2Mx2 L2 (models CTO D1G D1V D3Q D4Q)                       | 41X2413 | N        | Y     |
| 8      | Microprocessor, Pentium D 3.0 GHz 800 FSB 2Mx2 L2 (models CTO)                                       | 41T1717 | N        | Y     |
| 8      | Microprocessor, Pentium D 3.2 GHz 800 FSB 2Mx2 L2 (models CTO)                                       | 41X8050 | N        | Y     |
| 8      | Microprocessor, Pentium D 3.4 GHz 800 FSB 2Mx2 L2 (models CTO)                                       | 41X7776 | N        | Y     |
| 8      | Microprocessor, Pentium E2140 800/1600MHZ-1M, LGA, EM64T (models CTO D6G D5Q)                        | 43C1967 | N        | Y     |
| 8      | Microprocessor, Pentium E2160 800/1800MHZ-1M, LGA, EM64T (models CTO)                                | 43C1968 | N        | Y     |
| 8      | Microprocessor, Pentium CONROE-L E2180 2.0GHz 800MHz FSB, 1M, EM64T (models)                         | 45C1773 | N        | Y     |
| 8      | Microprocessor, Pentium CONROE-L E2220 2.4GHz 800MHz FSB, 1M, EM64T (models)                         | 45C1774 | N        | Y     |
| 8      | Microprocessor, Core 2 Duo E4500 Processor 2.2GHz 800MHz FSB 2M (models)                             | 43C6305 | N        | Y     |
| 8      | Microprocessor, Conroe E6300 Processor 1.86GHz 1066MHz FSB 2M L2 (models CTO 91G 92V 92C 93G)        | 41X2495 | N        | Y     |
| 8      | Microprocessor, Core 2 Duo E6320 1.86GHz 1066MHz FSB 4M B2 (models CTO)                              | 43C3829 | N        | Y     |
| 8      | Microprocessor, Conroe E6400 Processor 2.13GHz 1066MHz FSB 2M L2 (models CTO)                        | 41X2496 | N        | Y     |
| 8      | Microprocessor, Core 2 Duo E6400 Processor 2.13GHz 1066MHz FSB 2M L2 (models CTO)                    | 43C3831 | N        | Y     |
| 8      | Microprocessor, Conroe E6600 Processor 2.40GHz 1066MHz FSB 4M L2 (models CTO)                        | 41X5743 | N        | Y     |
| 8      | Microprocessor, Conroe E6700 Processor 2.67GHz 1066MHz FSB 4M L2 (models CTO)                        | 41X5744 | N        | Y     |
| 8      | Microprocessor, Celeron D 2.66GHz 533MHz FSB 256KB L2 (models CTO)                                   | 41T1694 | N        | Y     |

| Item # | 8806 FRUs   | FRU#    | CRU Tier | RoHS? |
|--------|---|---------|----------|-------|
| 8      | Microprocessor, Celeron D 2.80GHz 533MHz FSB 256KB L2 (models CTO A1V)  | 41T1695 | N        | Y     |
| 8      | Microprocessor, Celeron D 3.06GHz 533MHz FSB 256KB L2 (models CTO A8G A8B A8H)                                  | 41T1697 | N        | Y     |
| 8      | Microprocessor, Celeron D 3.06GHz 533MHz FSB 512KB L2 (models CTO)  | 42Y8530 | N        | Y     |
| 8      | Microprocessor, Celeron D 3.20GHz 533MHz FSB 256KB L2 (models CTO B1G B1B B1H)                                  | 41T1698 | N        | Y     |
| 8      | Microprocessor, Celeron D 3.20GHz 533MHz FSB 512KB L2 (models CTO)  | 41T4966 | N        | Y     |
| 8      | Microprocessor, Celeron D 3.33GHz 533MHz FSB 512KB L2 (models CTO)  | 41T4968 | N        | Y     |
| 8      | Microprocessor, Celeron 420 800/1600MHZ-512K,LGA,EM64T A1 (models CTO)  | 43C3835 | N        | Y     |
| 8      | Microprocessor, Celeron 430 800/1800MHZ-512K,LGA,EM64T A1 (models CTO)  | 43C1964 | N        | Y     |
| 8      | Microprocessor, Celeron 440 800/1800MHZ-512K,LGA,EM64T A1 (models CTO)  | 43C1965 | N        | Y     |
| 8      | Microprocessor, Core 2 Duo E4300 1.8GHz 800MHz FSB 2M L2 (models CTO 94V)                                       | 42Y8009 | N        | Y     |
| 8      | Microprocessor, Core 2 Duo E4400 2.0GHz 800MHz FSB 2M L2 (models CTO)   | 43C2056 | N        | Y     |
| 9      | Front panel card Asm (all models)   | 41A7864 | 2        | Y     |
| 10     | Speaker Asm, Soldered Terminals (all models)  | 39P5023 | 2        | Y     |
| 11     | Hard disk drive, 80GB, 7200RPM, Serial ATA (models CTO A1V B1G B1B B1H A8G A8B A8H 92V 92C D1G D1V D3Q D4Q D5Q) | 40Y9034 | 1        | Y     |
| 11     | Hard disk drive, 80GB, 7200RPM, Serial ATA (models CTO A1V B1G B1B B1H A8G A8B A8H 92V 92C D1G D1V D3Q D4Q D5Q) | 40Y8761 | 1        | Y     |
| 11     | Hard disk drive, 160GB, 7200RPM, Serial ATA (models CTO 94V 95V D6G)  | 40Y9035 | 1        | Y     |
| 11     | Hard disk drive, 160GB, 7200RPM, Serial ATA (models CTO 94V 95V D6G)  | 40Y8762 | 1        | Y     |
| 11     | Hard disk drive, 250GB, 7200RPM, Serial ATA (models CTO 91G 93G)  | 40Y9036 | 1        | Y     |
| 11     | Hard disk drive, 250GB, 7200RPM, Serial ATA (models CTO 91G 93G)  | 40Y8763 | 1        | Y     |
| 11     | Hard disk drive, 500GB, 7200RPM, Serial ATA (models CTO)  | 41X5582 | 1        | Y     |
| 12     | Diskette drive, 1.44MB, 3-mode, w/o bezel (models CTO A1V D3Q D4Q 94V 95V)                                      | 40Y9107 | 1        | Y     |
| 12     | Diskette drive, 1.44MB, 3-mode, w/o bezel (models CTO A1V D3Q D4Q 94V 95V)                                      | 40Y9105 | 1        | Y     |
| 13     | DVD-ROM 16X/48X - Black-NON/VISTA (models CTO A1V B1G B1B B1H A8G A8B A8H 92V 92C D1G D1V D4Q 94V 95V)          | 41N3325 | 1        | Y     |
| 13     | CD-RW/DVD-ROM Combo Drive 48X/32X/48X/16X Max---nonvista/vista (models CTO D6G D5Q)                             | 42Y9353 | 1        | Y     |
| 13     | DVD-RW/CD-RW Rambo 7 - SATA (models CTO 91G)  | 41N3347 | 1        | Y     |
| 13     | DVD-RW/CD-RW Rambo 7 - SATA (models CTO 91G)  | 42Y6374 | 1        | Y     |
| 13     | DVD-RW/CD-RW Rambo 7 - SATA (models CTO 91G)  | 42Y6373 | 1        | Y     |
| 13     | DVD Recorder Rambo 8 - SATA (models CTO)  | 43C1042 | 1        | Y     |

The FRUs listed in the following table are not illustrated.

| 8806 FRUs   | FRU#    | CRU Tier | RoHS? |
|---|---------|----------|-------|
| Cable, C2 Switch (models CTO 91G 92V 92C)               | 39M0458 | 1        | Y     |
| Shield, 5.25 EMC (all models)                           | 39M0460 | 1        | Y     |
| Cable, SATA (18-inch RoHs) (all models)                 | 26K1186 | 1        | Y     |
| Hard disk drive mounting bracket (all models)           | 41R6367 | 1        | Y     |
| Cable, serial (all models)                              | 39K5021 | 1        | Y     |
| EMC shield, diskette drive (all models)                 | 39M0464 | 1        | Y     |
| Cable, diskette drive (RoHs) (all models)               | 26K1184 | 1        | Y     |
| Bezel asm, diskette drive, black (all models)           | 41A7806 | 1        | Y     |
| Fan duct Asm (all models)                               | 39M0470 | 1        | Y     |
| Device retaining clips (all models)                     | 39M0473 | 2        | Y     |
| Shield, system board (all models)                       | 41A7865 | N        | Y     |
| Miscellaneous hardware kit (all models)                 | 39M0477 | 1        | Y     |
| Cable, 1394 panel mount (all models)                    | 39M0478 | 1        | Y     |
| RM kit (all models)                                     | 39K5046 | N        | Y     |
| Cable, 2 Drop IDE (all models)                          | 39M0516 | 1        | Y     |
| Thermal sense cable (460 mm) (all models)               | 41R2509 | 2        | Y     |
| Miscellaneous screw kit (all models)                    | 41R2477 | 2        | Y     |
| Universal Adapter Bracket 5.25 to 3.5-inch (all models) | 32P4743 | 1        | Y     |

| 8806 Keyboards (USB Preferred - without hub)                        | FRU#    | CRU Tier | RoHS? |
|---|---------|----------|-------|
| US English (models B1G 91G B1H A8G A8H 92C D1G D3Q 93G D4Q D6G D5Q) | 41A5289 | 1        | Y     |
| Arabic (models B1G 91G A8G D1G 93G D6G)                             | 41A5290 | 1        | Y     |
| Arabic/French (models B1G 91G A8G D1G 93G D6G)                      | 41A5291 | 1        | Y     |
| Belgian/French (models B1G 91G A8G D1G 93G D6G)                     | 41A5292 | 1        | Y     |
| Belgian/UK (models B1G 91G A8G D1G 93G D6G)                         | 41A5293 | 1        | Y     |
| Bulgarian (models B1G 91G A8G D1G 93G D6G)                          | 41A5295 | 1        | Y     |
| Chinese/US (models A1V B1B A8B 92V D1V 94V 95V)                     | 41A5296 | 1        | Y     |
| Czech (models B1G 91G A8G D1G 93G D6G)                              | 41A5297 | 1        | Y     |
| Danish (models B1G 91G A8G D1G 93G D6G)                             | 41A5298 | 1        | Y     |
| Dutch (models B1G 91G A8G D1G 93G D6G)                              | 41A5299 | 1        | Y     |
| French (models B1G 91G A8G D1G 93G D6G)                             | 41A5300 | 1        | Y     |
| German (models B1G 91G A8G D1G 93G D6G)                             | 41A5303 | 1        | Y     |
| Greek (models B1G 91G A8G D1G 93G D6G)                              | 41A5304 | 1        | Y     |
| Greek/US (models B1G 91G A8G D1G 93G D6G)                           | 41A5305 | 1        | Y     |
| Hebrew (models B1G 91G A8G D1G 93G D6G)                             | 41A5306 | 1        | Y     |
| Hungarian (models B1G 91G A8G D1G 93G D6G)                          | 41A5307 | 1        | Y     |
| Iceland (models B1G 91G A8G D1G 93G D6G)                            | 41A5308 | 1        | Y     |
| Italian 141 (models B1G 91G A8G D1G 93G D6G)                        | 41A5309 | 1        | Y     |
| Norwegian (models B1G 91G A8G D1G 93G D6G)                          | 41A5313 | 1        | Y     |

| <b>8806 Keyboards (USB Preferred - without hub)</b> | <b>FRU#</b> | <b>CRU Tier</b> | <b>RoHS?</b> |
|---|-------------|-----------------|--------------|
| Polish (models B1G 91G A8G D1G 93G D6G)             | 41A5314     | 1               | Y            |
| Portuguese (models B1G 91G A8G D1G 93G D6G)         | 41A5315     | 1               | Y            |
| Romanian 096 (models B1G 91G A8G D1G 93G D6G)       | 41A5317     | 1               | Y            |
| Romanian 446 (models B1G 91G A8G D1G 93G D6G)       | 41A5316     | 1               | Y            |
| Russian/Cyrillic (models B1G 91G A8G D1G 93G D6G)   | 41A5318     | 1               | Y            |
| Serbian/Cyrillic (models B1G 91G A8G D1G 93G D6G)   | 41A5319     | 1               | Y            |
| Slovak (models B1G 91G A8G D1G 93G D6G)             | 41A5320     | 1               | Y            |
| Spanish (models B1G 91G A8G D1G 93G D6G)            | 41A5321     | 1               | Y            |
| Swedish/Finn (models B1G 91G A8G D1G 93G D6G)       | 41A5322     | 1               | Y            |
| Swiss (models B1G 91G A8G D1G 93G D6G)              | 41A5323     | 1               | Y            |
| Turkish 440 (models B1G 91G A8G D1G 93G D6G)        | 41A5325     | 1               | Y            |
| Turkish 179 (models B1G 91G A8G D1G 93G D6G)        | 41A5326     | 1               | Y            |
| UK English (models B1G 91G A8G D1G 93G D6G)         | 41A5327     | 1               | Y            |
| US Euro (models B1G 91G A8G D1G 93G D6G)            | 41A5328     | 1               | Y            |
| Slovenian (models B1G 91G A8G D1G 93G D6G)          | 41A5329     | 1               | Y            |

| <b>8806 mice</b>                                      | <b>FRU#</b> | <b>CRU Tier</b> | <b>RoHS?</b> |
|---|-------------|-----------------|--------------|
| Mouse, Optical Wheel (400DPI, USB) (all models )      | 41U3013     | 1               | Y            |
| Mouse, Optical Wheel (400DPI, USB) (all models )      | 41U3030     | 1               | Y            |
| Mouse, ScrollPoint Optical (800DPI, USB) (models CTO) | 41U3019     | 1               | Y            |

| <b>8806 Wireless I/O</b>       | <b>FRU#</b> | <b>CRU Tier</b> | <b>RoHS?</b> |
|--------------------------------|-------------|-----------------|--------------|
| Wireless Keyboard (models CTO) | 41A5219     | 1               | Y            |
| Wireless Mouse (models CTO)    | 41A5247     | 1               | Y            |
| Transceiver (USB) (models CTO) | 41A5246     | 1               | Y            |

| <b>8806 Adapters and miscellaneous FRU</b>                                  | <b>FRU#</b> | <b>CRU Tier</b> | <b>RoHS?</b> |
|---|-------------|-----------------|--------------|
| 256MB PCIe x16, full height (models CTO)                                    | 41T2725     | 1               | Y            |
| 128MB DDR ATI Radeon x300SE (DMS59 connector) (models CTO D3Q D4Q)          | 39J9635     | 1               | Y            |
| PCI-E DVI-DConnection Adapter (Full Height) (models CTO 91G D4Q 93G)        | 39J9334     | 1               | Y            |
| Nvidia GeForce 7300LE 128MB 64bit ATX/LP w/S-Video, no DVI (models CTO)     | 41X2669     | 1               | Y            |
| ATI Radeon X1300 256MB 128bit ATX VGA/S-Video/DVI (models CTO)              | 42Y8159     | 1               | Y            |
| IEEE 1394 Firewire Adapter - full height (models CTO)                       | 41D2781     | 1               | Y            |
| Speakers, Lenovo Branded (models CTO)                                       | 41A5334     | 1               | Y            |
| Thermal grease syringe (all models)   | 91P8835     | 1               | Y            |
| Nvidia GeForce 7300LE 128MB 64bit ATX/LP w/S-Video, with DMS59 (models CTO) | 42Y8165     | 1               | Y            |
| ATI X1300LE 256M 64bit LP/ATX with DMS59 (models CTO)                       | 42Y8162     | 1               | Y            |

| <b>8806 Adapters and miscellaneous FRU</b>                      | <b>FRU#</b> | <b>CRU Tier</b> | <b>RoHS?</b> |
|---|-------------|-----------------|--------------|
| Dongle DMS Dule DMS-59 to dual VGA cable (models CTO)           | 42Y8181     | 1               | Y            |
| Dongle DMS Dule DMS-59 to single VGA and DVI cable (models CTO) | 42Y8183     | 1               | Y            |
| Dongle DMS Dule DMS-59 to dual DVI - I cable (models CTO)       | 41X6398     | 1               | Y            |

| <b>8806 Power Cords</b>  | <b>FRU#</b> | <b>CRU Tier</b> | <b>RoHS?</b> |
|--|-------------|-----------------|--------------|
| Power cord - US (models CTO-U)   | 39M5080     | 1               | Y            |
| Power cord - China (models CTO-A 92C)  | 39M5205     | 1               | Y            |
| Power cord - Japan (models CTO-A)  | 39M5193     | 1               | Y            |
| Power cord - Brazil (models CTO-L)   | 39M5232     | 1               | Y            |
| Power cord - LA High Volt (APU) (models CTO-L)   | 39M5067     | 1               | Y            |
| Power cord - Australia/New Zealand (models CTO-A)  | 39M5102     | 1               | Y            |
| Power cord - Korea (models CTO-A)  | 39M5212     | 1               | Y            |
| Power cord - Hong Kong (models CTO-A B1B B1H A8B A8H)  | 39M5151     | 1               | Y            |
| Power cord - UK, Ireland, Singapore, Malaysia, Brunei (models CTO-G CTO-A B1G 91G A8G D1G 93G D6G) | 39M5150     | 1               | Y            |
| Power cord - Taiwan (models CTO-A A1V 92V D1V 94V 95V)   | 39M5246     | 1               | Y            |
| Power cord - Italy/Chile (models CTO-G B1G 91G A8G D1G D6G)  | 39M5164     | 1               | Y            |
| Power cord - G models (models CTO-A)   | 39M5122     | 1               | Y            |
| Power cord - Denmark (models CTO-G B1G 91G A8G D1G 93G D6G)  | 39M5129     | 1               | Y            |
| Power cord - Switzerland (models CTO-G B1G 91G A8G D1G 93G D6G)                                    | 39M5157     | 1               | Y            |
| Power cord - Israel (models CTO-G B1G 91G A8G D1G 93G D6G)   | 39M5171     | 1               | Y            |
| Power cord - South Africa (models CTO-G B1G 91G A8G D1G 93G D6G)                                   | 39M5143     | 1               | Y            |
| Power cord - India (models CTO-A D3Q D4Q D5Q)  | 39M5004     | 1               | Y            |

| <b>8806 Windows XP Pro Recovery CDs</b>                          | <b>FRU#</b> | <b>CRU Tier</b> | <b>RoHS?</b> |
|--|-------------|-----------------|--------------|
| US/UK/AP/TH (models B1G 91G B1H A8G A8H D1G D3Q D6G 93G D4Q D5Q) | 42Y3236     | 1               | Y            |
| RE (models B1G 91G A8G D1G D6G 93G)                              | 42Y5464     | 1               | Y            |
| FR/CF (models B1G 91G A8G D1G D6G 93G)                           | 42Y4449     | 1               | Y            |
| GR (models B1G 91G A8G D1G D6G 93G)                              | 42Y4450     | 1               | Y            |
| SP/LA (models B1G 91G A8G D1G D6G 93G)                           | 42Y4451     | 1               | Y            |
| IT (models B1G 91G A8G D1G D6G 93G)                              | 42Y4452     | 1               | Y            |
| SV (models B1G 91G A8G D1G D6G 93G)                              | 42Y4454     | 1               | Y            |
| DK (models B1G 91G A8G D1G D6G 93G)                              | 42Y4455     | 1               | Y            |
| FI (models B1G 91G A8G D1G D6G 93G)                              | 42Y5465     | 1               | Y            |
| NO (models B1G 91G A8G D1G D6G 93G)                              | 42Y5466     | 1               | Y            |
| NL (models B1G 91G A8G D1G D6G 93G)                              | 42Y5467     | 1               | Y            |
| Simplified Chinese (models 92C)                                  | 42T8627     | 1               | Y            |
| Taiwan - TC (models A1V 92V D1V)                                 | 42T8633     | 1               | Y            |
| Hong Kong - TC (models B1B A8B)                                  | 42T8639     | 1               | Y            |

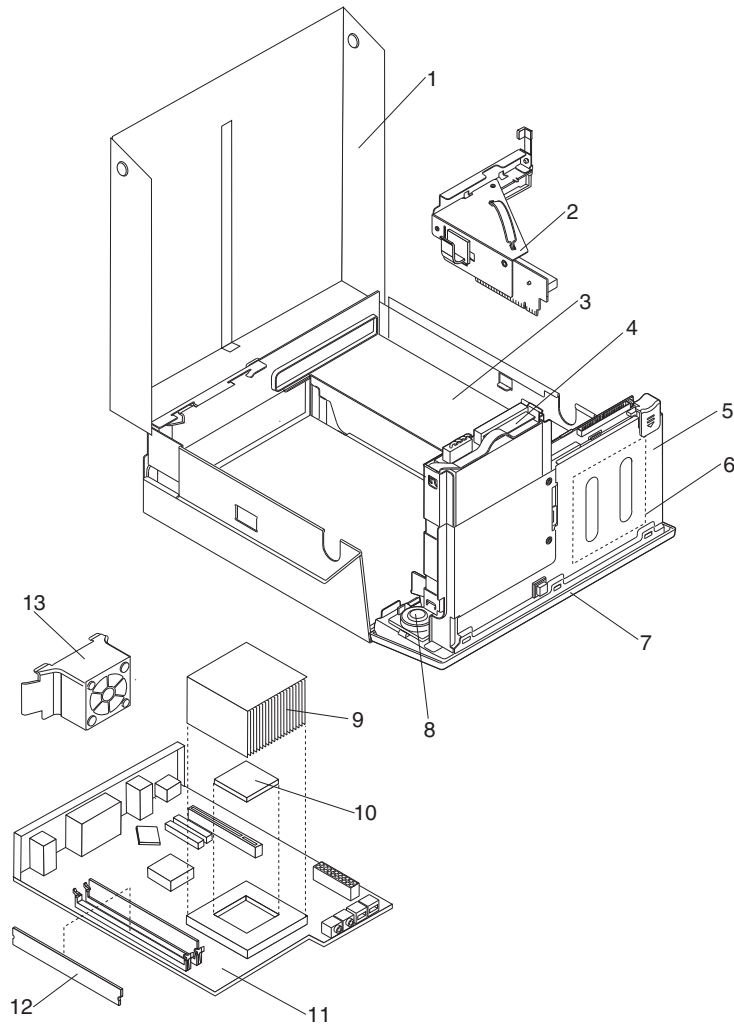
| <b>8806 Windows XP Pro Recovery CDs</b>                               | <b>FRU#</b> | <b>CRU Tier</b> | <b>RoHS?</b> |
|---|-------------|-----------------|--------------|
| HE (models B1G 91G A8G D1G D6G 93G)                                   | 42Y5468     | 1               | Y            |
| PL (models B1G 91G A8G D1G D6G 93G)                                   | 42Y5469     | 1               | Y            |
| CZ (models B1G 91G A8G D1G D6G 93G)                                   | 42Y5470     | 1               | Y            |
| AE (models B1G 91G A8G D1G D6G 93G)                                   | 42Y5471     | 1               | Y            |
| RU (models B1G 91G A8G D1G D6G 93G)                                   | 42Y5472     | 1               | Y            |
| TR (models B1G 91G A8G D1G D6G 93G)                                   | 42Y5473     | 1               | Y            |
| HU (models B1G 91G A8G D1G D6G 93G)                                   | 42Y5474     | 1               | Y            |
| PO (models B1G 91G A8G D1G D6G 93G)                                   | 42Y5475     | 1               | Y            |
| GK (models B1G 91G A8G D1G D6G 93G)                                   | 42Y5476     | 1               | Y            |
| SL (models B1G 91G A8G D1G D6G 93G)                                   | 42Y5477     | 1               | Y            |
| Multilingual 1 -- EN, NL, FR, GR, IT (models B1G 91G A8G D1G D6G 93G) | 42Y4533     | 1               | Y            |
| Multilingual 2 -- EN, DK, FI, NO, SV (models B1G 91G A8G D1G D6G 93G) | 42Y5626     | 1               | Y            |

| <b>8806 Vista Home Basic 32 Recovery DVDs</b> | <b>FRU#</b> | <b>CRU Tier</b> |
|---|-------------|-----------------|
| US/UK/AP/TH (models)                          | 43C1440     | 1               |
| FR/CF (models)                                | 43C1441     | 1               |
| GR (models)                                   | 43C1442     | 1               |
| SP/LA (models)                                | 43C1443     | 1               |
| BR (models)                                   | 43C1444     | 1               |
| IT (models)                                   | 43C1445     | 1               |
| JP (models)                                   | 43C1446     | 1               |
| NO (models)                                   | 43C1447     | 1               |
| SV (models)                                   | 43C1448     | 1               |
| DK (models)                                   | 43C1449     | 1               |
| NL (models)                                   | 43C1450     | 1               |
| CZ (models)                                   | 43C1451     | 1               |
| FI (models)                                   | 43C1452     | 1               |
| PL (models)                                   | 43C1453     | 1               |
| RU (models)                                   | 43C1454     | 1               |
| TR (models)                                   | 43C1455     | 1               |
| HU (models)                                   | 43C1456     | 1               |
| GK (models)                                   | 43C1457     | 1               |
| PO (models)                                   | 43C1458     | 1               |
| CS (models)                                   | 43C1459     | 1               |
| TW (models)                                   | 43C1460     | 1               |
| HK (models)                                   | 43C1461     | 1               |
| KR (models)                                   | 43C1462     | 1               |
| SL (models)                                   | 43C1463     | 1               |
| RE (models)                                   | 43C1464     | 1               |

| 8806 Vista Business 32 Recovery DVDs | FRU#    | CRU Tier |
|--------------------------------------|---------|----------|
| US/UK/AP/TH (models 93G D4Q D5Q)     | 43C1390 | 1        |
| FR/CF (models 93G)                   | 43C1391 | 1        |
| GR (models 93G)                      | 43C1392 | 1        |
| SP/LA (models 93G)                   | 43C1393 | 1        |
| IT (models 93G)                      | 43C1395 | 1        |
| NO (models 93G)                      | 43C1397 | 1        |
| SV (models 93G)                      | 43C1398 | 1        |
| DK (models 93G)                      | 43C1399 | 1        |
| NL (models 93G)                      | 43C1400 | 1        |
| CZ (models 93G)                      | 43C1401 | 1        |
| FI (models 93G)                      | 43C1402 | 1        |
| PL (models 93G)                      | 43C1403 | 1        |
| RU (models 93G)                      | 43C1404 | 1        |
| TR (models 93G)                      | 43C1405 | 1        |
| HU (models 93G)                      | 43C1406 | 1        |
| GK (models 93G)                      | 43C1407 | 1        |
| PO (models 93G)                      | 43C1408 | 1        |
| SL (models 93G)                      | 43C1413 | 1        |
| RE (models 93G)                      | 43C1414 | 1        |



# Machine Type 8807



| Item # | 8807 FRUs  | FRU#    | CRU Tier | RoHS? |
|--------|--|---------|----------|-------|
| 1      | Top Cover (models 67C 67B 67H 8BS 8BP 8BY 8CS 8CP 8CY 55M 61B 61H 62K 63S 63P 63Y 64S 64P 64Y 9AS 9AP 9AY D4M DAS DAP DAY DBS DBP DBY)   | 89P6782 | 1        | Y     |
| 2      | Pocono Interposals Card (all models)   | 41R2902 | 1        | Y     |
| 2      | Riser Card Bracket Asm, Flippable PCI and PCIX/DVI, RoHS (all models)  | 39M0618 | 1        | Y     |
| 2      | PCI Riser Card Bracket Asm (all models)  | 41N8276 | 1        | Y     |
| 3      | Power Supply 225 Watt (active PFC) - WW (models 66S 66P 66L 66D 66Y 66G 66M 66A 66T 66K 66R 9JU 9JF 9JS 9JP 9JD 9JY 9JG 9JM 9JA 9JT 9JK 9JR DCG DEG E5M E6M E4G E3U E3F E2U E2F) | 41N3105 | N        | Y     |
| 3      | Power Supply 225 Watt (active PFC) - WW (models)   | 41A9735 | N        | Y     |

| Item # | 8807 FRUs   | FRU#    | CRU Tier | RoHS? |
|--------|---|---------|----------|-------|
| 4      | Hard disk drive 80GB 7200rpm Serial ATA, (models 53F 55M 67U 67F 67S 67P 67L 67D 67Y 67G 67M 67A 67Q 67T 67C 67B 67H 67V 67K 67R 67E 67J 9BU 9BF 9BS 9BP 9BL 9BD 9BY 9BG 9BM 9BA 9BQ 9BT 9BC 9BB 9BH 9BV 9BK 9BR 9BE 9BJ CTO A2S A2P A2L A2D A2Y A4S A4P A4L A4D A4Y A6S A6P A6L A6D A6Y A8S A8P A8L A8D A8Y AAS AAP AAL AAD AAY AAM ABM 91S 91P 91L 91D 91Y 93U 93F AAB AAH 93S 93P 93L 93D 93Y 93G 93M 93A 93Q 93T 93C 93B 93H 93V 93K 93R 93E 93J D2U D2F D4M D5U D5F 8AA 8AT 8BS 8BP 8BY 61B 61H 63S 63P 63Y 91Q 9AS 9AP 9AY 51S 51P 51L 51D 51Y 51Q 51B 51H 52U 52F 52S 52P 52L 52D 52Y 52G 52M 52A 52Q 52T 52C 52B 52H 52V 52K 52R 52E 52J 65U 65F 65S 65P 65L 65D 65Y 65G 65M 65A 65Q 65T 65C 65B 65H 65K 65R 65E 65J 66S 66P 66L 66D 66Y 66G 66M 66A 66Q 66T 66C 66B 66H 66V 66K 66R 66E 66J 56C 56B 56H 67C 67B 67H 68C 68B 68H 9JU 9JF 9JS 9JP 9JL 9JD 9JY 9JG 9JM 9JA 9JQ 9JT 9JC 9JB 9JH 9JV 9JK 9JR 9JE 9JJ DCG DEG E6M E3U E3F E2U E2F E2Q) | 40Y9034 | 1        | Y     |
| 4      | Hard disk drive 80GB 7200rpm Serial ATA, (models 53F 55M 67U 67F 67S 67P 67L 67D 67Y 67G 67M 67A 67Q 67T 67C 67B 67H 67V 67K 67R 67E 67J 9BU 9BF 9BS 9BP 9BL 9BD 9BY 9BG 9BM 9BA 9BQ 9BT 9BC 9BB 9BH 9BV 9BK 9BR 9BE 9BJ CTO A2S A2P A2L A2D A2Y A4S A4P A4L A4D A4Y A6S A6P A6L A6D A6Y A8S A8P A8L A8D A8Y AAS AAP AAL AAD AAY AAM ABM 91S 91P 91L 91D 91Y 93U 93F AAB AAH 93S 93P 93L 93D 93Y 93G 93M 93A 93Q 93T 93C 93B 93H 93V 93K 93R 93E 93J D2U D2F D4M D5U D5F 8AA 8AT 8BS 8BP 8BY 61B 61H 63S 63P 63Y 91Q 9AS 9AP 9AY 51S 51P 51L 51D 51Y 51Q 51B 51H 52U 52F 52S 52P 52L 52D 52Y 52G 52M 52A 52Q 52T 52C 52B 52H 52V 52K 52R 52E 52J 65U 65F 65S 65P 65L 65D 65Y 65G 65M 65A 65Q 65T 65C 65B 65H 65K 65R 65E 65J 66S 66P 66L 66D 66Y 66G 66M 66A 66Q 66T 66C 66B 66H 66V 66K 66R 66E 66J 56C 56B 56H 67C 67B 67H 68C 68B 68H 9JU 9JF 9JS 9JP 9JL 9JD 9JY 9JG 9JM 9JA 9JQ 9JT 9JC 9JB 9JH 9JV 9JK 9JR 9JE 9JJ DCG DEG E6M E3U E3F E2U E2F E2Q) | 40Y8761 | 1        | Y     |
| 4      | Hard disk drive 160GB 7200rpm Serial ATA (models CTO A7S A7P A7L A7D A7Y 94G 97U 97F 94B 94H 8CS 8CP 8CY 62K 64S 64P 64Y DAS DAP DAY 54S 54P 54L 54D 54Y 54K DDB DDH E4G)   | 40Y9035 | 1        | Y     |
| 4      | Hard disk drive 160GB 7200rpm Serial ATA (models CTO A7S A7P A7L A7D A7Y 94G 97U 97F 94B 94H 8CS 8CP 8CY 62K 64S 64P 64Y DAS DAP DAY 54S 54P 54L 54D 54Y 54K DDB DDH E4G)   | 40Y8762 | 1        | Y     |
| 4      | Hard disk drive 250GB 7200rpm Serial ATA (models CTO ACS ACP ACL ACD ACY 95S 95P 95L 95D 95Y DBS DBP DBY E5M)   | 40Y9036 | 1        | Y     |
| 4      | Hard disk drive 250GB 7200rpm Serial ATA (models CTO ACS ACP ACL ACD ACY 95S 95P 95L 95D 95Y DBS DBP DBY E5M)   | 40Y8763 | 1        | Y     |
| 4      | Hard disk drive 500GB 7200rpm Serial ATA (models CTO)   | 41X5582 | 1        | Y     |
| 5      | Front Rotating Cage assembly (all models)   | 41N5315 | 2        | Y     |

| Item # | 8807 FRUs  | FRU#    | CRU Tier | RoHS? |
|--------|--|---------|----------|-------|
| 6      | CD-RW/DVD-ROM Combo Drive 48X/32X/48X/16X Max--vista and nonvista (models 67U 67F 67S 67P 67L 67D 67Y 67G 67M 67A 67Q 67T 67C 67B 67H 67V 67K 67R 67E 67J 9BU 9BF 9BS 9BP 9BL 9BD 9BY 9BG 9BM 9BA 9BQ 9BT 9BC 9BB 9BH 9BV 9BK 9BR 9BE 9BJ 66S 66P 66L 66D 66Y 66G 66M 66A 66Q 66T 66C 66B 66H 66V 66K 66R 66E 66J CTO A7S A7P A7L A7D A7Y ACS ACP ACL ACN ACY 94G 94B 94H D4M D5U D5F 93U 93F 93S 93P 93L 93D 93Y 93G 93M 93A 93Q 93T 93C 93B 93H 93V 93K 93R 93E 93J D2U D2F 8AA 8AT 8CS 8CP 8CY 61B 61H 62K 64S 64P 64Y 9AS 9AP 9AY DAS DAP DAY 52U 52F 52S 52P 52L 52D 52Y 52G 52M 52A 52Q 52T 52C 52B 52H 52V 52K 52R 52E 52J 53F 54S 54P 54L 54D 54Y 54K 65U 65F 65S 65P 65L 65D 65Y 65G 65M 65A 65Q 65T 65C 65B 65H 65K 65R 65E 65J 56C 56B 56H 67C 67B 67H 68C 68B 68H 9JU 9JF 9JS 9JP 9JL 9JD 9JY 9JG 9JM 9JA 9JQ 9JT 9JC 9JB 9JH 9JV 9JK 9JR 9JE 9JJ DCG DDB DDH DEG E6M E3U E3F E2U E2F E2Q) | 87H4936 | 1        | Y     |
| 6      | CD-RW/DVD-ROM Combo Drive 48X/32X/48X/16X Max (models 67U 67F 67S 67P 67L 67D 67Y 67G 67M 67A 67Q 67T 67C 67B 67H 67V 67K 67R 67E 67J 9BU 9BF 9BS 9BP 9BL 9BD 9BY 9BG 9BM 9BA 9BQ 9BT 9BC 9BB 9BH 9BV 9BK 9BR 9BE 9BJ 66S 66P 66L 66D 66Y 66G 66M 66A 66Q 66T 66C 66B 66H 66V 66K 66R 66E 66J CTO A7S A7P A7L A7D A7Y ACS ACP ACL ACN ACY 94G 94B 94H D4M D5U D5F 93U 93F 93S 93P 93L 93D 93Y 93G 93M 93A 93Q 93T 93C 93B 93H 93V 93K 93R 93E 93J D2U D2F 8AA 8AT 8CS 8CP 8CY 61B 61H 62K 64S 64P 64Y 9AS 9AP 9AY DAS DAP DAY 52U 52F 52S 52P 52L 52D 52Y 52G 52M 52A 52Q 52T 52C 52B 52H 52V 52K 52R 52E 52J 53F 54S 54P 54L 54D 54Y 54K 65U 65F 65S 65P 65L 65D 65Y 65G 65M 65A 65Q 65T 65C 65B 65H 65K 65R 65E 65J 56C 56B 56H 67C 67B 67H 68C 68B 68H 9JU 9JF 9JS 9JP 9JL 9JD 9JY 9JG 9JM 9JA 9JQ 9JT 9JC 9JB 9JH 9JV 9JK 9JR 9JE 9JJ DCG DDB DDH DEG E6M E3U E3F E2U E2F E2Q)                     | 43C5016 | 1        | Y     |
| 6      | CD-RW/DVD-ROM Combo Drive 48X/32X/48X/16X Max-nonvista / vista (models 67U 67F 67S 67P 67L 67D 67Y 67G 67M 67A 67Q 67T 67C 67B 67H 67V 67K 67R 67E 67J 9BU 9BF 9BS 9BP 9BL 9BD 9BY 9BG 9BM 9BA 9BQ 9BT 9BC 9BB 9BH 9BV 9BK 9BR 9BE 9BJ)  | 43C2648 | 1        | Y     |
| 6      | CD-RW/DVD-ROM Combo Drive 48X/32X/48X/16X Max-nonvista / vista (models 67U 67F 67S 67P 67L 67D 67Y 67G 67M 67A 67Q 67T 67C 67B 67H 67V 67K 67R 67E 67J 9BU 9BF 9BS 9BP 9BL 9BD 9BY 9BG 9BM 9BA 9BQ 9BT 9BC 9BB 9BH 9BV 9BK 9BR 9BE 9BJ)  | 43C2649 | 1        | Y     |
| 6      | DVD-RW/CD-RW Rambo 5 - IDE-vista (models CTO 95S 95P 95L 95D 95Y 97U 97F DBS DBP DBY E5M E4G)  | 87H4937 | 1        | Y     |
| 6      | DVD-RW/CD-RW Rambo 5 - IDE (models CTO 95S 95P 95L 95D 95Y 97U 97F DBS DBP DBY E5M E4G)  | 41N3355 | 1        | Y     |
| 6      | DVD-RW/CD-RW Rambo 5 - IDE (models CTO 95S 95P 95L 95D 95Y 97U 97F DBS DBP DBY E5M E4G)  | 43C0053 | 1        | Y     |
| 6      | DVD-RW/CD-RW Rambo 5 - IDE-vista (models CTO 95S 95P 95L 95D 95Y 97U 97F DBS DBP DBY E5M E4G)  | 42Y3910 | 1        | Y     |
| 7      | Front Bezel (all models)   | 41N5316 | 1        | Y     |
| 8      | Speaker and Cable assembly (all models)  | 39K5012 | 1        | Y     |
| 9      | Heat Sink (all models)   | 41A7711 | 2        | Y     |
| 10     | Microprocessor, Pentium 4 3.06 GHz 533 FSB 1MB L2 (models CTO)   | 41T4104 | N        | Y     |
| 10     | Microprocessor, Pentium 4 3.0 GHz 800 FSB 1MB L2 (models CTO 8AA 8AT)  | 41T1701 | N        | Y     |
| 10     | Microprocessor, Pentium 4 3.2 GHz 800 FSB 1MB L2 (models CTO)  | 41T1702 | N        | Y     |

| Item # | 8807 FRUs  | FRU#    | CRU Tier | RoHS? |
|--------|--|---------|----------|-------|
| 10     | Microprocessor, Pentium 4 3.0 GHz 800 FSB 2MB L2 (models CTO)  | 41T1712 | N        | Y     |
| 10     | Microprocessor, Pentium 4 3.2 GHz 800 FSB 2MB L2 (models CTO)  | 41T1713 | N        | Y     |
| 10     | Microprocessor, Pentium 4 3.4 GHz 800 FSB 2MB L2 (models CTO)  | 41T1714 | N        | Y     |
| 10     | Microprocessor, Pentium 4 3.6 GHz 800 FSB 2MB L2 (models CTO)  | 41T1715 | N        | Y     |
| 10     | Microprocessor, Pentium D 2.8 GHz 800 FSB 2Mx1 L2 (models CTO 8BS 8BP 8BY 8CS 8CP 8CY)   | 41T1704 | N        | Y     |
| 10     | Microprocessor, Pentium D 2.8 GHz 800 FSB 2Mx2 L2 (models CTO)   | 41X7775 | N        | Y     |
| 10     | Microprocessor, Pentium D 3.0 GHz 800 FSB 2Mx2 L2 (models CTO 51S 51P 51L 51D 51Y 51Q 51B 51H 52U 52F 52S 52P 52L 52D 52Y 52G 52M 52A 52Q 52T 52C 52B 52H 52V 52K 52R 52E 52J 53F 54S 54P 54L 54D 54Y 54K 55M C4U 56C 56B 56H)   | 41X2413 | N        | Y     |
| 10     | Microprocessor, Pentium D 3.0 GHz 800 FSB 2Mx2 L2 (models CTO)   | 41T1717 | N        | Y     |
| 10     | Microprocessor, Pentium D 3.2 GHz 800 FSB 2Mx2 L2 (models CTO DEG)   | 41X8050 | N        | Y     |
| 10     | Microprocessor, Pentium D 945 Processor 3.4GHz 800MHz FSB 2Mx2 L2 (models CTO 61B 61H 62K 63S 63P 63Y 64S 64P 64Y 67U 67F 67S 67P 67L 67D 67Y 67G 67M 67A 67Q 67T 67C 67B 67H 67V 67K 67R 67E 67J 65U 65F 65S 65P 65L 65D 65Y 65G 65M 65A 65Q 65T 65C 65B 65H 65K 65R 65E 65J 66S 66P 66L 66D 66Y 66G 66M 66A 66Q 66T 66C 66B 66H 66V 66K 66R 66E 66J C5U 67C 67B 67H 68C 68B 68H) | 41X7776 | N        | Y     |
| 10     | Microprocessor, Pentium E2140 800/1600MHZ-1M, LGA, EM64T (models CTO)  | 43C1967 | N        | Y     |
| 10     | Microprocessor, Pentium E2160 800/1800MHZ-1M, LGA, EM64T (models CTO)  | 43C1968 | N        | Y     |
| 10     | Microprocessor, Pentium CONROE-L E2180 2.0GHz 800MHz FSB, 1M, EM64T (models)   | 45C1773 | N        | Y     |
| 10     | Microprocessor, Pentium CONROE-L E2220 2.4GHz 800MHz FSB, 1M, EM64T (models)   | 45C1774 | N        | Y     |
| 10     | Microprocessor, Core 2 Duo E4500 Processor 2.2GHz 800MHz FSB 2M (models)   | 43C6305 | N        | Y     |
| 10     | Microprocessor, Core 2 Duo E6300 Processor 1.86GHz 1066MHz FSB 2M L2 (models CTO 91S 91P 91L 91D 91Y 93U 93F 94G 95S 95P 95L 95D 95Y 97U 97F CU2 93S 93P 93L 93D 93Y 93G 93M 93A 93Q 93T 93C 93B 93H 93V 93K 93R 93E 93J 94B 94H 91Q 9AS 9AP 9AY 9BU 9BF 9BS 9BP 9BL 9BD 9BY 9BG 9BM 9BA 9BQ 9BT 9BC 9BB 9BH 9BV 9BK 9BR 9BE 9BJ C3U)  | 41X2495 | N        | Y     |
| 10     | Core 2 Duo E6320 Processor 1.86GHz 1066MHz FSB 4M B2 (models CTO)  | 43C3829 | N        | Y     |
| 10     | Microprocessor, Core 2 Duo E6400 Processor 2.13GHz 1066MHz FSB 2M L2 (models CTO D2U D2F D4M D5U D5F DAS DAP DAY DBS DBP DBY C6U)  | 41X2496 | N        | Y     |
| 10     | Core 2 Duo E6420 Processor 2.13GHz 1066MHz FSB 4M B2 (models CTO)  | 43C3831 | N        | Y     |
| 10     | Microprocessor, Pentium E2140 800/1600MHZ-1M, LGA, EM64T (models CTO E5M E6M E4G E3U E3F E2U E2F E2Q)  | 43C1967 | N        | Y     |
| 10     | Microprocessor, Pentium E2160 800/1800MHZ-1M, LGA, EM64T (models CTO)  | 43C1968 | N        | Y     |
| 10     | Microprocessor, Conroe E6600 Processor 2.40GHz 1066MHz FSB 4M L2 (models CTO)  | 41X5743 | N        | Y     |
| 10     | Microprocessor, Conroe E6700 Processor 2.67GHz 1066MHz FSB 4M L2 (models CTO)  | 41X5744 | N        | Y     |

| Item # | 8807 FRUs   | FRU#    | CRU Tier | RoHS? |
|--------|---|---------|----------|-------|
| 10     | Microprocessor, Celeron D 2.66GHz 533MHz FSB 256KB L2 (models CTO)  | 41T1694 | N        | Y     |
| 10     | Microprocessor, Celeron D 2.80GHz 533MHz FSB 256KB L2 (models CTO A2S A2P A2L A2D A2Y)  | 41T1695 | N        | Y     |
| 10     | Microprocessor, Celeron D 3.06GHz 533MHz FSB 256KB L2 (models CTO A8S A8P A8L A8D A8Y AAS AAP AAL AAD AAY AAM ABM ACS ACP ACL ACD ACY AAB AAH)  | 41T1697 | N        | Y     |
| 10     | Microprocessor, Celeron D 3.06GHz 533MHz FSB 512KB L2 (models CTO)  | 42Y8530 | N        | Y     |
| 10     | Microprocessor, Celeron D 3.20GHz 533MHz FSB 256KB L2 (models CTO)  | 41T1698 | N        | Y     |
| 10     | Microprocessor, Celeron D 3.20GHz 533MHz FSB 512KB L2 (models CTO)  | 41T4966 | N        | Y     |
| 10     | Microprocessor, Celeron D 3.33GHz 533MHz FSB 512KB L2 (models CTO)  | 41T4968 | N        | Y     |
| 10     | Microprocessor, Celeron 420 800/1600MHZ-512K,LGA,EM64T A1 (models CTO)  | 43C3835 | N        | Y     |
| 10     | Microprocessor, Celeron 430 800/1800MHZ-512K,LGA,EM64T A1 (models CTO)  | 43C1964 | N        | Y     |
| 10     | Microprocessor, Celeron 440 800/1800MHZ-512K,LGA,EM64T A1 (models CTO)  | 43C1965 | N        | Y     |
| 10     | Microprocessor, Core 2 Duo E4300 1.8GHz 800MHz FSB 2M L2 (models CTO DCG DDB DDH)   | 42Y8009 | N        | Y     |
| 10     | Microprocessor, Core 2 Duo E4400 2.0GHz 800MHz FSB 2M L2 (models CTO)   | 43C2056 | N        | Y     |
| 11     | System board (models DAS DAP DAY DBS DBP DBY 51S 51P 51L 51D 51Y 51Q 51B 51H 52U 52F 52S 52P 52L 52D 52Y 52G 52M 52A 52Q 52T 52C 52B 52H 52V 52K 52R 52E 52J 53F 54S 54P 54L 54D 54Y 54K 55M 67U 67F 67S 67P 67L 67D 67Y 67G 67M 67A 67Q 67T 67C 67B 67H 67V 67K 67R 67E 67J 9BU 9BF 9BS 9BP 9BL 9BD 9BY 9BG 9BM 9BA 9BQ 9BT 9BC 9BB 9BH 9BV 9BK 9BR 9BE 9BJ C3U CTO A2S A2P A2L A2D A2Y A4S A4P A4L A4D A4Y A6S A6P A6L A6D A6Y A7S A7P A7L A7D A7Y A8S A8P A8L A8D A8Y AAS AAP AAL AAD AAY AAM ABM ACS ACP ACL ACD ACY 91S 91P 91L 91D 91Y 93U 93F 94G 95S 95P 95L 95D 95Y 97U 97F AAB AAH 93S 93P 93L 93D 93Y 93G 93M 93A 93Q 93T 93C 93B 93H 93V 93K 93R 93E 93J 94B 94H D2U D2F D4M D5U D5F 8AA 8AT 8BS 8BP 8BY 8CS 8CP 8CY 61B 61H 62K 63S 63P 63Y 64S 64P 64Y 91Q 9AS 9AP 9AY 65U 65F 65S 65P 65L 65D 65Y 65G 65M 65A 65Q 65T 65C 65B 65H 65K 65R 65E 65J 66S 66P 66L 66D 66Y 66G 66M 66A 66Q 66T 66C 66B 66H 66V 66K 66R 66E 66J C4U C5U C6U 56C 56B 56H 67C 67B 67H 68C 68B 68H 9JU 9JF 9JS 9JP 9JL 9JD 9JY 9JG 9JM 9JA 9JQ 9JT 9JC 9JB 9JH 9JV 9JK 9JR 9JE 9JJ DCG DDB DDH DEG E5M E6M E4G E3U E3F E2U E2F E2Q) | 43C7181 | 2        | Y     |
| 12     | Memory - 512MB DDR2 SDRAM NP Memory (PC 4200) (models CTO)  | 30R5121 | 1        | Y     |
| 12     | Memory - 512MB DDR2 SDRAM NP Memory (PC 4200) (models CTO)  | 41X4251 | 1        | Y     |
| 12     | Memory - 1GB DDR2 SDRAM NP Memory (PC 4200) (models CTO)  | 30R5122 | 1        | Y     |
| 12     | Memory - 2GB DDR2 SDRAM NP Memory (PC 4200) (models CTO)  | 30R5123 | 1        | Y     |

| Item # | 8807 FRUs   | FRU#    | CRU Tier | RoHS? |
|--------|---|---------|----------|-------|
| 12     | Memory - 512MB DDR2 SDRAM NP (PC 5300) (models CTO A6S A6P A6L A6D A6Y A7S A7P A7L A7D A7Y AAS AAP AAL AAD AAY AAM ABM ACS ACP ACL ACD ACY 91S 91P 91L 91D 91Y 93U 93F 95S 95P 95L 95D 95Y AAB AAH 93S 93P 93L 93D 93Y 93G 93M 93A 93Q 93T 93C 93B 93H 93V 93K 93R 93E 93J D2U D2F D4M 8AA 8AT 8BS 8BP 8BY 8CS 8CP 8CY 61B 61H 63S 63P 63Y 91Q 9AS 9AP 9AY DAS DAP DAY 51S 51P 51L 51D 51Y 51Q 51B 51H 53F 54S 54P 54L 54D 54Y 54K 55M 65U 65F 65S 65P 65L 65D 65Y 65G 65M 65A 65Q 65T 65C 65B 65H 65K 65R 65E 65J 56C 56B 56H 67C 67B 67H 68C 68B 68H 9JU 9JF 9JS 9JP 9JL 9JD 9JY 9JG 9JM 9JA 9JQ 9JT 9JC 9JB 9JH 9JV 9JK 9JR 9JE 9JJ DDB DDH) | 30R5125 | 1        | Y     |
| 12     | Memory - 1GB DDR2 SDRAM NP (PC 5300) (models CTO 94G 96U 96F 97U 97F 94B 94H D5U D5F 62K 64S 64P 64Y DBS DBP DBY 52U 52F 52S 52P 52L 52D 52Y 52G 52M 52A 52Q 52T 52C 52B 52H 52V 52K 52R 52E 52J 67U 67F 67S 67P 67L 67D 67Y 67G 67M 67A 67Q 67T 67C 67B 67H 67V 67K 67R 67E 67J 9BU 9BF 9BS 9BP 9BL 9BD 9BY 9BG 9BM 9BA 9BQ 9BT 9BC 9BB 9BH 9BV 9BK 9BR 9BE 9BJ 66S 66P 66L 66D 66Y 66G 66M 66A 66Q 66T 66C 66B 66H 66V 66K 66R 66E 66J DCG DEG E5M E6M E4G E3U E3F E2U E2F E2Q)   | 30R5126 | 1        | Y     |
| 12     | Memory - 1GB DDR2 SDRAM NP (PC 5300) (models CTO 94G 96U 96F 97U 97F 94B 94H D5U D5F 62K 64S 64P 64Y DBS DBP DBY 52U 52F 52S 52P 52L 52D 52Y 52G 52M 52A 52Q 52T 52C 52B 52H 52V 52K 52R 52E 52J 67U 67F 67S 67P 67L 67D 67Y 67G 67M 67A 67Q 67T 67C 67B 67H 67V 67K 67R 67E 67J 9BU 9BF 9BS 9BP 9BL 9BD 9BY 9BG 9BM 9BA 9BQ 9BT 9BC 9BB 9BH 9BV 9BK 9BR 9BE 9BJ 66S 66P 66L 66D 66Y 66G 66M 66A 66Q 66T 66C 66B 66H 66V 66K 66R 66E 66J DCG DEG E5M E6M E4G E3U E3F E2U E2F E2Q)   | 41X4252 | 1        | Y     |
| 12     | Memory - 2GB DDR2 SDRAM NP (PC 5300) (models CTO)   | 30R5127 | 1        | Y     |
| 12     | Memory - 512MB DDR2 SDRAM NP (PC 6400) (models CTO)   | 41X1079 | 1        | Y     |
| 12     | Memory - 1GB DDR2 SDRAM NP (PC 6400) (models CTO)   | 41X1080 | 1        | Y     |
| 12     | Memory - 2GB DDR2 SDRAM NP (PC 6400) (models CTO)   | 41X1081 | 1        | Y     |
| 13     | Rear exhaust fan (all models)   | 39M0551 | 1        | Y     |

The FRUs listed in the following table are not illustrated.

| 8807 FRUs  | FRU#    | CRU Tier | RoHS? |
|--|---------|----------|-------|
| Bezel, Ultra-Bay-Enhanced (all models)                                     | 89P6804 | 1        | Y     |
| HSS Tray assembly (includes grommet/pins/brkt/ground springs) (all models) | 89P6778 | 1        | Y     |
| Power/LED cable assembly with bracket (all models)                         | 39K5055 | 2        | Y     |
| Chassis and cover assembly (all models)                                    | 41N5314 | 2        | Y     |
| Cable, SATA hard disk drive and optical drive (all models)                 | 39K5061 | 1        | Y     |
| Ultra Bay Enhanced Cable/Card Assembly (all models)                        | 41N5305 | 2        | Y     |
| Fan assembly, front (all models)   | 41R6359 | 1        | Y     |
| Vertical stand (all models)  | 89P6792 | 1        | Y     |
| Rear air deflector (all models)  | 89P6793 | 1        | Y     |
| Miscellaneous hardware kit (all models)                                    | 89P6794 | 1        | Y     |
| Plastic parts kit (all models)   | 39M0575 | 2        | Y     |
| Battery 3.0V (all models)  | 33F8354 | 1        | Y     |

| 8807 FRUs  | FRU#    | CRU Tier | RoHS? |
|--|---------|----------|-------|
| Underdesk Mounting Kit (all models)  | 39M0599 | 1        | Y     |
| Chassis Intrusion Switch-C2 Cable-Switch (modelsCTO 85M 98M 99M D1M D3M D4M) | 39K5022 | 1        | Y     |
| Thermal Sense cable (850 mm) (all models)                                    | 41R2511 | 1        | Y     |

| 8807 Keyboards (USB Preferred - without hub)  | FRU#    | CRU Tier | RoHS? |
|---|---------|----------|-------|
| US English (models AAM ABM 93U 94G A2L A4L A6L A7L A8L AAL ACL 91L 95L AAH 93L 93G 93M 93A 93Q 93C 93H 93R 93E 94H D2U D4M D5U 8AA 61H 91Q 51L 51Q 51H 52U 52L 52G 52M 52A 52Q 52C 52H 52R 52E 54L 55M 67U 67L 67G 67M 67A 67Q 67C 67H 67R 67E 9BU 9BL 9BG 9BM 9BA 9BQ 9BC 9BH 9BR 9BE 65U 65L 65G 65M 65A 65Q 65C 65H 65R 65E 66G 66M 66A 66Q 66H 66R 66E 9JU 9JG 9JM 9JA 9JQ 9JH 9JR 9JE 56H 67H 68H DDH DCG DEG E3U E2U E4G E5M E6M E2Q) | 41A5289 | 1        | Y     |
| China (models 56C 67C 68C 9JC)  | TBD     | 1        | Y     |
| Arabic (models 94G 93G 52G 67G 9BG 65G 66G 9JG DCG DEG E4G)   | 41A5290 | 1        | Y     |
| Arabic/French (models 94G 93G 52G 67G 9BG 65G 66G 9JG DCG DEG E4G)  | 41A5291 | 1        | Y     |
| Belgian/French (models 94G 93G 52G 67G 9BG 65G 66G 9JG DCG DEG E4G)   | 41A5292 | 1        | Y     |
| Belgian/UK (models 94G 93G 52G 67G 9BG 65G 66G 9JG DCG DEG E4G)   | 41A5293 | 1        | Y     |
| Brazilian (models A2P A4P A6P A7P A8P AAP ACP 91P 95P 93P 8BP 8CP 63P 64P 9AP DAP DBP 51P 52P 54P 67P 9BP 65P 66P 9JP)  | 41A5294 | 1        | Y     |
| Bulgarian (models 94G 93G 52G 67G 9BG 65G 66G 9JG DCG DEG E4G)  | 41A5295 | 1        | Y     |
| Chinese/US (models AAB 93B 93V 94B 61B 51B 52B 52V 67B 67V 9BB 9BV 65B 66B 66V 56B 67B 68B 9JB DDB 9JV)   | 41A5296 | 1        | Y     |
| Czech (models 94G 93G 52G 67G 9BG 65G 66G 9JG DCG DEG E4G)  | 41A5297 | 1        | Y     |
| Danish (models 94G 93G 52G 67G 9BG 65G 66G 9JG DCG DEG E4G)   | 41A5298 | 1        | Y     |
| Dutch (models 94G 93G 52G 67G 9BG 65G 66G 9JG DCG DEG E4G)  | 41A5299 | 1        | Y     |
| French (models 94G 93G 52G 67G 9BG 65G 66G 9JG DCG DEG E4G)   | 41A5300 | 1        | Y     |
| French Canadian 445 (models 93F 97F D2F D5F 52F 53F 67F 9BF 65F 9JF E3F E2F)  | 41A5301 | 1        | Y     |
| French Canadian 58 (models 93F 97F D2F D5F 52F 53F 67F 9BF 65F 9JF E3F E2F)   | 41A5302 | 1        | Y     |
| German (models 94G 93G 52G 67G 9BG 65G 66G 9JG DCG DEG E4G)   | 41A5303 | 1        | Y     |
| Greek (models 94G 93G 52G 67G 9BG 65G 66G 9JG DCG DEG E4G)  | 41A5304 | 1        | Y     |
| Greek/US (models 94G 93G 52G 67G 9BG 65G 66G 9JG DCG DEG E4G)   | 41A5305 | 1        | Y     |
| Hebrew (models 94G 93G 52G 67G 9BG 65G 66G 9JG DCG DEG E4G)   | 41A5306 | 1        | Y     |
| Hungarian (models 94G 93G 52G 67G 9BG 65G 66G 9JG DCG DEG E4G)  | 41A5307 | 1        | Y     |
| Iceland (models 94G 93G 52G 67G 9BG 65G 66G 9JG DCG DEG E4G)  | 41A5308 | 1        | Y     |
| Italian 141 (models 94G 93G 52G 67G 9BG 65G 66G 9JG DCG DEG E4G)  | 41A5309 | 1        | Y     |
| Japanese (models 93J 52J 67J 9BJ 65J 66J 9JJ)   | 41A5310 | 1        | Y     |
| Korean (models 93K 62K 52K 54K 67K 9BK 65K 66K 9JK)   | 41A5311 | 1        | Y     |

| <b>8807 Keyboards (USB Preferred - without hub)</b>   | <b>FRU#</b> | <b>CRU Tier</b> | <b>RoHS?</b> |
|---|-------------|-----------------|--------------|
| LA Spanish (models A2S A2D A2Y A4S A4D A4Y A6S A6D A6Y A7S A7D A7Y A8S A8D A8Y AAS AAD AAY ACS ACD ACY 91S 91D 91Y 95S 95D 95Y 93S 93D 93Y 8BS 8BY 8CS 8CY 63S 63Y 64S 64Y 9AS 9AY DAS DAY DBS DBY 51S 51D 51Y 52S 52D 52Y 54S 54D 54Y 67S 67D 67Y 9BS 9BD 9BY 65S 65D 65Y 66S 66D 66Y 9JS 9JD 9JY) | 41A5312     | 1               | Y            |
| Norwegian (models 94G 93G 52G 67G 9BG 65G 66G 9JG DCG DEG E4G)  | 41A5313     | 1               | Y            |
| Polish (models 94G 93G 52G 67G 9BG 65G 66G 9JG DCG DEG E4G)   | 41A5314     | 1               | Y            |
| Portuguese (models 94G 93G 52G 67G 9BG 65G 66G 9JG DCG DEG E4G)   | 41A5315     | 1               | Y            |
| Romanian 096 (models 94G 93G 52G 67G 9BG 65G 66G 9JG DCG DEG E4G)   | 41A5317     | 1               | Y            |
| Romanian 446 (models 94G 93G 52G 67G 9BG 65G 66G 9JG DCG DEG E4G)   | 41A5316     | 1               | Y            |
| Russian/Cyrillic (models 94G 93G 52G 67G 9BG 65G 66G 9JG DCG DEG E4G)   | 41A5318     | 1               | Y            |
| Serbian/Cyrillic (models 94G 93G 52G 67G 9BG 65G 66G 9JG DCG DEG E4G)   | 41A5319     | 1               | Y            |
| Slovak (models 94G 93G 52G 67G 9BG 65G 66G 9JG DCG DEG E4G)   | 41A5320     | 1               | Y            |
| Spanish (models 94G 93G 52G 67G 9BG 65G 66G 9JG DCG DEG E4G)  | 41A5321     | 1               | Y            |
| Swedish/Finn (models 94G 93G 52G 67G 9BG 65G 66G 9JG DCG DEG E4G)   | 41A5322     | 1               | Y            |
| Swiss (models 94G 93G 52G 67G 9BG 65G 66G 9JG DCG DEG E4G)  | 41A5323     | 1               | Y            |
| Thailand (models 93T 8AT 52T 67T 9BT 65T 66T)   | 41A5324     | 1               | Y            |
| Turkish 440 (models 94G 93G 52G 67G 9BG 65G 66G 9JG DCG DEG E4G)  | 41A5325     | 1               | Y            |
| Turkish 179 (models 94G 93G 52G 67G 9BG 65G 66G 9JG DCG DEG E4G)  | 41A5326     | 1               | Y            |
| UK English (models 94G 93G 52G 67G 9BG 65G 66G 9JG DCG DEG E4G)   | 41A5327     | 1               | Y            |
| US Euro (models 94G 93G 52G 67G 9BG 65G 66G 9JG DCG DEG E4G)  | 41A5328     | 1               | Y            |
| Slovenian (models 94G 93G 52G 67G 9BG 65G 66G 9JG DCG DEG E4G)  | 41A5329     | 1               | Y            |

| <b>8807 Mice</b>                                      | <b>FRU#</b> | <b>CRU Tier</b> | <b>RoHS?</b> |
|---|-------------|-----------------|--------------|
| Mouse, Optical Wheel (400DPI, USB) (all models)       | 41U3013     | 1               | Y            |
| Mouse, ScrollPoint Optical (800DPI, USB) (models CTO) | 41U3019     | 1               | Y            |
| Mouse, Optical Wheel (400DPI, USB) (all models)       | 41U3030     | 1               | Y            |

| <b>8807 Wireless I/O</b>       | <b>FRU#</b> | <b>CRU Tier</b> | <b>RoHS?</b> |
|--------------------------------|-------------|-----------------|--------------|
| Wireless Keyboard (models CTO) | 41A5219     | 1               | Y            |
| Wireless Mouse (models CTO)    | 41A5247     | 1               | Y            |
| Transceiver (USB) (models CTO) | 41A5246     | 1               | Y            |

| <b>8807 Adapters and miscellaneous FRUs</b>              | <b>FRU#</b> | <b>CRU Tier</b> | <b>RoHS?</b> |
|--|-------------|-----------------|--------------|
| PCI-E DVI-DConnection Adapter (Full Height) (models CTO) | 39J9334     | 1               | Y            |
| IEEE 1394 Firewire Adapter - full height (models CTO)    | 41D2781     | 1               | Y            |
| Speakers, Lenovo Branded (models CTO)                    | 41A5334     | 1               | Y            |
| Thermal Grease Syringe (all models)                      | 91P8835     | 1               | Y            |



| 8807 Power Cords   | FRU#    | CRU Tier | RoHS? |
|--|---------|----------|-------|
| Power Cord (US) (models CTO-U A2S A2L A2D A4S A4L A4D A6S A6L A6D A7S A7L A7D A8S A8L A8D AAS AAL AAD ACS ACL ACD 91S 91L 91D 93U 93F 95S 95L 95D 97U 97F 93S 93L 93D 93A 93T D2U D2F D5U D5F 8AA 8AT 8BS 8CS 63S 64S 9AS DAS DBS 51S 51L 51D 52U 52F 52S 52L 52D 52A 52T 53F 54S 54L 54D 67U 67F 67S 67L 67D 67A 67T 9BU 9BF 9BS 9BL 9BD 9BA 9BT 65U 65F 65S 65L 65D 65A 65T C3U 66S 66D 66L 66A 66T 9JU 9JF 9JS 9JD 9JL 9JA 9JT 9JL E3U E3F E2U E2F) | 39M5080 | 1        | Y     |
| Power Cord (China) (models CTO-A 93C 52C 67C 9BC 65C 66C 9JC 56C 67C 68C)  | 39M5205 | 1        | Y     |
| Power Cord (Japan) (models CTO-A 93E 93J 52E 52J 67E 67J 9BE 9BJ 65E 65J 66E 66J 9JE 9JJ)  | 39M5193 | 1        | Y     |
| Power Cord (Brazil) (models CTO-L A2P A4P A6P A7P A8P AAP ACP 91P 95P 93P 8BP 8CP 63P 64P 9AP DAP DBP 51P 52P 54P 67P 9BP 65P 66P 9JP)   | 39M5232 | 1        | Y     |
| Power Cord (LA), (High Volt) (APU) (models CTO-L A2L A2Y A4L A4Y A6L A6Y A7L A7Y A8L A8Y AAL AAY ACL ACY 91L 91Y 95L 95Y 93L 93Y 8BY 8CY 63Y 64Y 9AY DAY DBY 51L 51Y 52L 52Y 54L 54Y 67L 67Y 9BL 9BY 65L 65Y 66Y 66L AFF 9JY 9JL)  | 39M5067 | 1        | Y     |
| Power Cord (Australia, New Zealand) (models CTO-A AAM ABM 93M D4M 52M 55M 67M 9BM 65M 66M 9JM E5M E6M)   | 39M5102 | 1        | Y     |
| Power Cord (Korea) (models CTO-A 93K 93R 62K 52K 52R 54K 67K 67R 9BK 9BR 65K 65R 66K 66R 9JK 9JR)  | 39M5212 | 1        | Y     |
| Power Cord (Hong Kong) (models CTO-A AAB AAH 93B 93H 94B 94H 61B 61H 51B 51H 52B 52H 67B 67H 9BB 9BH 65B 65H 66B 66H 9JB 9JH 56B 56H 67B 67H 68B 68H DDB DDH)  | 39M5151 | 1        | Y     |
| Power Cord (UK, Ireland, Singapore, Malaysia, Brunei) (models CTO-G CTO-A 94G 93G 93A 8AA 52G 52A 67G 67A 9BG 9BA 65G 65A 66G 66A 9JA E4G)   | 39M5150 | 1        | Y     |
| Power Cord (Taiwan) (models CTO-A 93V 52V 67V 9BV 66V 9JV)   | 39M5246 | 1        | Y     |
| Power Cord (Italy) (models CTO-G A2S A2L A2Y A4S A4L A4Y A6S A6L A6Y A7S A7L A7Y A8S A8L A8Y AAS AAL AAY ACS ACL ACY 91S 91L 91Y 94G 95S 95L 95Y 93S 93L 93Y 93G 8BS 8BY 8CS 8CY 63S 63Y 64S 64Y 9AS 9AY DAS DAY DBS DBY 51S 51L 51Y 52S 52L 52Y 52G 54S 54L 54Y 67S 67L 67Y 67G 9BS 9BL 9BY 9BG 65S 65L 65Y 65G 66S 66Y 66L 66G 9JS 9JY 9JL 9JG DCG DEG E4G)  | 39M5164 | 1        | Y     |
| Power Cord (G models) (models CTO-G CTO-A 94G 93G 93A 8AA 52G 52A 67G 67A 9BG 9BA 65G 65A 66A 9JG 9JA DCG DEG E4G)   | 39M5122 | 1        | Y     |
| Power Cord (Denmark) (models CTO-G 94G 93G 52G 67G 9BG 65G 66G 9JG DCG DEG E4G)  | 39M5129 | 1        | Y     |
| Power Cord (Switzerland) (models CTO-G 94G 93G 52G 67G 9BG 65G 66G 9JG DCG DEG E4G)  | 39M5157 | 1        | Y     |
| Power Cord (Israel) (models CTO-G 94G 93G 52G 67G 9BG 65G 66G 9JG DCG DEG E4G)   | 39M5171 | 1        | Y     |
| Power Cord (South Africa) (models CTO-G AAM ABM 94G 93G 93M 93A D4M 8AA 52G 52M 52A 55M 67G 67M 67A 9BG 9BM 9BA 65G 65M 65A 66G 66M 66A 9JG 9JM 9JA DCG DEG E4G E5M E6M)   | 39M5143 | 1        | Y     |
| Power Cord (India) (models CTO-A 93Q 91Q 51Q 52Q 67Q 9BQ 65Q 66Q 9JQ E2Q)  | 39M5004 | 1        | Y     |

| 8807 Windows XP Home Recovery CDs | FRU#    | CRU Tier | RoHS? |
|-----------------------------------|---------|----------|-------|
| US/UK/AP/TH (models ABM)          | 42Y3242 | 1        | Y     |

| 8807 Windows XP Home Recovery CDs | FRU#    | CRU Tier | RoHS? |
|-----------------------------------|---------|----------|-------|
| Korean (models 62K)               | 42T8651 | 1        | Y     |

| 8807 Windows XP Pro Recovery CDs   | FRU#    | CRU Tier | RoHS? |
|--|---------|----------|-------|
| US/UK/AP/TH (models A2L A4L A6L A7L A8L AAL AAM ACL 91L 93U 94G 95L 97U AAH 93L 93G 93M 93A 93Q 93T 93H 93R 93E 94H D2U D4M D5U 8AA 8AT 61H 91Q 65U 65L 65G 65M 65A 65Q 65T 65H 65R 65E 51L 51Q 51H 52U 52L 52G 52M 52A 52Q 52T 52H 52R 52E 54L 55M 67U 67L 67G 67M 67A 67Q 67T 67H 67R 67E 9BU 9BL 9BG 9BM 9BA 9BQ 9BT 9BH 9BR 9BE 66L 66G 66M 66A 66Q 66T 66H 66R 66E E3U 9JG DCG DEG 9JU 9JM 9JA 9JQ 9JH 9JR 9JE 56H 67H 68H 9JH DDH E5M E6M E4G E2U E2F E2Q) | 42Y3236 | 1        | Y     |
| RE (models 94G 93G 65G 52G 67G 9BG 66G)  | 42Y5464 | 1        | Y     |
| FR/CF (models 93F 94G 97F 93G D2F D5F 65F 65G 52F 52G 53F 67F 67G 9BF 9BG 66G E3F 9JG DCG DEG 9JF E4G)   | 42Y4449 | 1        | Y     |
| GR (models 94G 93G 65G 52G 67G 9BG 66G ^9JG DCG DEG E4G)   | 42Y4450 | 1        | Y     |
| SP/LA (models A2S A2D A2Y A4S A4D A4Y A6S A6D A6Y A7S A7D A7Y A8S A8D A8Y AAS AAD AAY ACS ACD ACY 91S 91D 91Y 94G 95S 95D 95Y 93S 93D 93Y 93G 8BS 8BY 8CS 8CY 63S 63Y 64S 64Y 9AS 9AY DAS DAY DBS DBY 65S 65D 65Y 65G 51S 51D 51Y 52S 52D 52Y 52G 54S 54D 54Y 67S 67D 67Y 67G 9BS 9BD 9BY 9BG 66S 66D 66Y 66G 9JG DCG DEG 9JS 9JD 9JY E4G)   | 42Y4451 | 1        | Y     |
| IT (models 94G 93G 65G 52G 67G 9BG 66G ^9JG DCG DEG E4G)   | 42Y4452 | 1        | Y     |
| BR (models 9JP)  | 42Y4453 | 1        | Y     |
| SV (models 94G 93G 65G 52G 67G 9BG 66G 9JG DCG DEG E4G)  | 42Y4454 | 1        | Y     |
| DK (models 94G 93G 65G 52G 67G 9BG 66G 9JG DCG DEG E4G)  | 42Y4455 | 1        | Y     |
| FI (models 94G 93G 65G 52G 67G 9BG 66G 9JG DCG DEG E4G)  | 42Y5465 | 1        | Y     |
| NO (models 94G 93G 65G 52G 67G 9BG 66G 9JG DCG DEG E4G)  | 42Y5466 | 1        | Y     |
| NL (models 94G 93G 65G 52G 67G 9BG 66G 9JG DCG DEG E4G)  | 42Y5467 | 1        | Y     |
| Korea (models 93K 65K 52K 54K 67K 9BK 66K 9JV)   | 42T8621 | 1        | Y     |
| Simplified Chinese (models 93C 65C 52C 67C 9BC 66C 56C 67C 68C 9JC )   | 42T8627 | 1        | Y     |
| Taiwan - TC (models 93V 52V 67V 9BV 66V 9JV)   | 42T8633 | 1        | Y     |
| Hong Kong - TC (models AAB 93B 94B 61B 65B 51B 52B 67B 9BB 66B 56B 67B 68B 9JB DDB)  | 42T8639 | 1        | Y     |
| Japanese (models 93J 65J 52J 67J 9BJ 66J 9JJ)  | 42T8645 | 1        | Y     |
| HE (models 94G 93G 65G 52G 67G 9BG 66G 9JG DCG DEG E4G)  | 42Y5468 | 1        | Y     |
| PL (models 94G 93G 65G 52G 67G 9BG 66G 9JG DCG DEG E4G)  | 42Y5469 | 1        | Y     |
| CZ (models 94G 93G 65G 52G 67G 9BG 66G 9JG DCG DEG E4G)  | 42Y5470 | 1        | Y     |
| AE (models 94G 93G 65G 52G 67G 9BG 66G 9JG DCG DEG E4G)  | 42Y5471 | 1        | Y     |
| RU (models 94G 93G 65G 52G 67G 9BG 66G 9JG DCG DEG E4G)  | 42Y5472 | 1        | Y     |
| TR (models 94G 93G 65G 52G 67G 9BG 66G 9JG DCG DEG E4G)  | 42Y5473 | 1        | Y     |
| HU (models 94G 93G 65G 52G 67G 9BG 66G 9JG DCG DEG E4G)  | 42Y5474 | 1        | Y     |
| PO (models 94G 93G 65G 52G 67G 9BG 66G 9JG DCG DEG E4G)  | 42Y5475 | 1        | Y     |
| GK (models 94G 93G 65G 52G 67G 9BG 66G 9JG DCG DEG E4G)  | 42Y5476 | 1        | Y     |
| SL (models 94G 93G 65G 52G 67G 9BG 66G 9JG DCG DEG E4G)  | 42Y5477 | 1        | Y     |

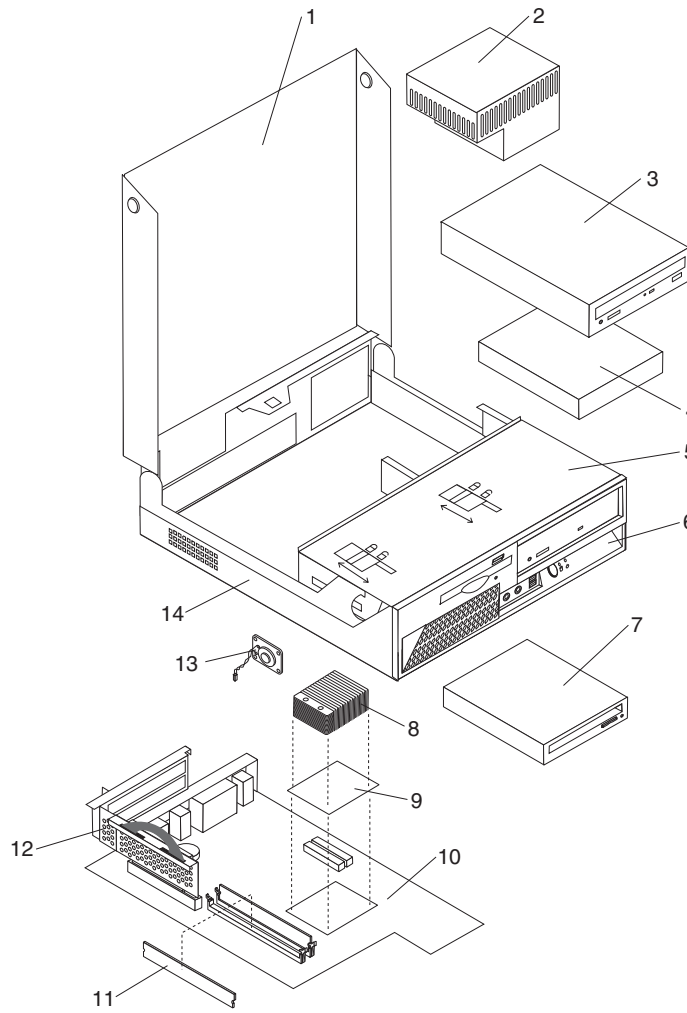
| 8807 Windows XP Pro Recovery CDs  | FRU#    | CRU Tier | RoHS? |
|---|---------|----------|-------|
| Multilingual 1 -- EN, NL, FR, GR, IT (models 94G 93G 65G 52G 67G 9BG 66G 9JG DCG DEG E4G) | 42Y4533 | 1        | Y     |
| Multilingual 2 -- EN, DK, FI, NO, SV (models 94G 93G 65G 52G 67G 9BG 66G 9JG DCG DEG E4G) | 42Y5626 | 1        | Y     |

| 8807 Vista Home Basic 32 Recovery DVDs | FRU#    | CRU Tier |
|--|---------|----------|
| US/UK/AP/TH (models)                   | 43C1440 | 1        |
| FR/CF (models)                         | 43C1441 | 1        |
| GR (models)                            | 43C1442 | 1        |
| SP/LA (models)                         | 43C1443 | 1        |
| BR (models)                            | 43C1444 | 1        |
| IT (models)                            | 43C1445 | 1        |
| JP (models)                            | 43C1446 | 1        |
| NO (models)                            | 43C1447 | 1        |
| SV (models)                            | 43C1448 | 1        |
| DK (models)                            | 43C1449 | 1        |
| NL (models)                            | 43C1450 | 1        |
| CZ (models)                            | 43C1451 | 1        |
| FI (models)                            | 43C1452 | 1        |
| PL (models)                            | 43C1453 | 1        |
| RU (models)                            | 43C1454 | 1        |
| TR (models)                            | 43C1455 | 1        |
| HU (models)                            | 43C1456 | 1        |
| GK (models)                            | 43C1457 | 1        |
| PO (models)                            | 43C1458 | 1        |
| CS (models)                            | 43C1459 | 1        |
| TW (models)                            | 43C1460 | 1        |
| HK (models)                            | 43C1461 | 1        |
| KR (models)                            | 43C1462 | 1        |
| SL (models)                            | 43C1463 | 1        |
| RE (models)                            | 43C1464 | 1        |

| 8807 Vista Business 32 Recovery DVDs   | FRU#    | CRU Tier |
|--|---------|----------|
| US/UK/AP/TH (models 9JG DCG DEG 9JU 9JM 9JA 9JQ 9JH 9JR 9JE 56H 67H 68H 9JH DDH E5M E6M E4G E2U E2F E2Q) | 43C1390 | 1        |
| FR/CF (models 9JG DCG DEG 9JF E4G)   | 43C1391 | 1        |
| GR (models 9JG DCG DEG E4G)  | 43C1392 | 1        |
| SP/LA (models 9JG DCG DEG 9JS 9JD 9JY)   | 43C1393 | 1        |
| BR (models 9JP)  | 43C1394 | 1        |
| IT (models 9JG DCG DEG E4G)  | 43C1395 | 1        |
| JP (models 9JJ)  | 43C1396 | 1        |

| 8807 Vista Business 32 Recovery DVDs | FRU#    | CRU Tier |
|--------------------------------------|---------|----------|
| NO (models 9JG DCG DEG E4G)          | 43C1397 | 1        |
| SV (models 9JG DCG DEG E4G)          | 43C1398 | 1        |
| DK (models 9JG DCG DEG E4G)          | 43C1399 | 1        |
| NL (models 9JG DCG DEG E4G)          | 43C1400 | 1        |
| CZ (models 9JG DCG DEG E4G)          | 43C1401 | 1        |
| FI (models 9JG DCG DEG E4G)          | 43C1402 | 1        |
| PL (models 9JG DCG DEG E4G)          | 43C1403 | 1        |
| RU (models 9JG DCG DEG E4G)          | 43C1404 | 1        |
| TR (models 9JG DCG DEG E4G)          | 43C1405 | 1        |
| HU (models 9JG DCG DEG E4G)          | 43C1406 | 1        |
| GK (models 9JG DCG DEG E4G)          | 43C1407 | 1        |
| PO (models 9JG DCG DEG E4G)          | 43C1408 | 1        |
| CS (models 56C 67C 68C 9JC )         | 43C1409 | 1        |
| TW (models 9JV)                      | 43C1410 | 1        |
| HK (models 56B 67B 68B 9JB DDB)      | 43C1411 | 1        |
| KR (models 9JK)                      | 43C1412 | 1        |
| SL (models 9JG DCG DEG E4G)          | 43C1413 | 1        |
| RE (models 9JG DCG DEG E4G)          | 43C1414 | 1        |

# Machine Type 8808



| Item # | 8808 FRUs                   | FRU#    | CRU Tier | RoHS? |
|--------|-----------------------------|---------|----------|-------|
| 1      | Cover Assembly (all models) | 41R6220 | 1        | Y     |

| Item # | 8808 FRUs   | FRU#    | CRU Tier | RoHS? |
|--------|---|---------|----------|-------|
| 2      | Power Supply, 275 active PFC-WW, China, JAPAN (models 9SU 9SF 9SG 9SM 9SA 9ST 9SK 9SR 9SE 9SJ 94K 94R H6F H8K H9K 8PU 8PF 8PG 8PM 8PA 8PT 8PK 8PR 8PE 8PJ EFU EFF EFG EFM EFA EFT EFK EFR EFE EFJ J1U J1F J1M J2U J2F J2M 9UM 9VM DFM DGM DHM EGM 9WU 9WF 9WS 9WP 9WD 9WY 9WG 9WM 9WA 9WT 9WK 9WR CTO AEM AFM AGK B2K B4K 91G 94U 94F 97G 98K 98R 99K 99R 9BU 9BF 9DU 9DF 94G 94T 94E 94J 9BM 9EM 9FM D2U D2F D2M D3M D4M D5M E1M 9HU 9HF 9HG 9HM 9HT 9HE 9HJ 9JU 9JF 9MM 9NM D7U D7F D8U D8F E3U E3F F1A F1T F4M F5M F6M F7K 8DK 8LM 8NU 8NF 8NM E7A E7T B1K B1R 95K 95R H3U H3F H3G H3M H3A H3T H3K H3R H3E H3J H4F H5K H6M 8HU 8HF 8HG 8HM 8HA 8HT 8HK 8HR 8HE 8HJ 9PU 9PF E2U E2F HJM HLK 8QM EHA EHT EJU EJF EJS EJP EJL EJD EY EJG EJM EJA EJT EJK EJR ELK DJM DKM ENA ENT EPG EQG ESG HBU HBF HBS HBP HBL HBD HBY HBG HBM HBA HBT HBK HBR HEM ETM D9S D9Y DAS DAY E5S E5Y E6S E6Y H3S H3P H3L H3D H3Y H3Q H3C H3B H3H H3V H5S H5P H5L H5D H5Y H5B H5H 9SS 9SP 9SL 9SD 9SY 9SQ 9SC 9SB 9SH 9SV 94V H7C 8PS 8PP 8PL 8PD 8PY 8PQ 8PC 8PB 8PH 8PV EFS EFP EFL EFD EFW EFQ EFC EFB EFH EFV 9WC 9WB 9WH 9WV CTO-A A1S A1P A1L A1D A1Y A2S A2P A2L A2D A2Y A6S A6P A6L A6D A6Y A9S A9P A9L A9D A9Y AAS AAP AAL AAD AAY ACS ACP ACL ACD ACY AES AEP AEL AED AEY AHS AHP AHL AHD AHY 92S 92P 92L 92D 92Y 9AS 9AP 9AL 9AD 9AY AEB AEH 94S 94P 94L 94D 94Y 94Q 94C 94B 94H 91B 91H 96C 9GS 9GP 9GL 9GD 9GY 9HS 9HP 9HL 9HD 9HY 9HQ 9HC 9HB 9HH D6S D6P D6L D6D D6Y E4S E4P E4L E4D E4Y F1Q F2S F2Y F3S F3Y 8ES 8EY 8FB 8FH 8GS 8GY 8JQ EDS EDY DCS DCY DDS DDY DES DEP DEL DEY EAS EAY EBS EBY 9QS 9QY 8HS 8HP 8HL 8HD 8HY 8HQ 8HC 8HB 8HH 8HV EJQ HBQ HHC HHB HHH EJC EJB EJV EJV ERB ERH HBC HBB HBH HGC HGB HGH ETB ETH 9WE 9WJ F8J HHJ HKJ EJE EJJ HBE HBJ DNJ KHB KHH K1M K2M K3M K4M K5M K6M K7M K8M K9M KAM KBG KCG KDG KFU KFF KGU KGF KJG KEC KJU KLU KLU KNU) | 41A9640 | 2        | Y     |
| 2      | Power Supply (225 Watt) (models 9SU 9SF 9SG 9SM 9SA 9ST 9SK 9SR 94K 94R H6F H8K H9K 8PU 8PF 8PG 8PM 8PA 8PT 8PK 8PR EFU EFF EFG EFM EFA EFT EFK EFR J1U J1F J1M J2U J2F J2M 9UM 9VM DFM DGM DHM EGM 9WU 9WF 9WS 9WP 9WD 9WY 9WG 9WM 9WA 9WT 9WK 9WR CTO AEM AFM AGK B2K B4K 91G 94U 94F 97G 98K 98R 99K 99R 9BU 9BF 9DU 9DF 94G 94T 9BM 9EM 9FM D2U D2F D2M D3M D4M D5M E1M 9HU 9HF 9HG 9HM 9HT 9JU 9JF 9MM 9NM D7U D7F D8U D8F E3U E3F F1A F1T F4M F5M F6M F7K 8DK 8LM 8NU 8NF 8NM E7A E7T B1K B1R 95K 95R H3U H3F H3G H3M H3A H3T H3K H3R H4F H5K H6M 8HU 8HF 8HG 8HM 8HA 8HT 8HK 8HR 9PU 9PF E2U E2F HJM HLK 8QM EHA EHT EJU EJF EJS EJP EJL EJD EY EJG EJM EJA EJT EJK EJR ELK DJM DKM ENA ENT EPG EQG ESG HBU HBF HBS HBP HBL HBD HBY HBG HBM HBA HBT HBK HBR HEM ETM K1M K2M K3M K4M K5M K6M K7M K8M K9M KAM KBG KCG KDG KFU KFF KGU KGF KJG KJU KLU KLU KNU KPM KPA KQM KQA KRM KRA KSM KSA KTA KUM KVA KWU KWF KWS KWP KWD KWY KWG KWM KWA KWR KWR)   | 41A9629 | 2        | Y     |

| Item # | 8808 FRUs  | FRU#    | CRU Tier | RoHS? |
|--------|--|---------|----------|-------|
| 2      | Power Supply - China (225 Watt) (models D9S D9Y DAS DAY E5S E5Y E6S E6Y H3S H3P H3L H3D H3Y H3Q H3C H3B H3H H3V H5S H5P H5L H5D H5Y H5B H5H 9SS 9SP 9SL 9SD 9SY 9SQ 9SC 9SB 9SH 9SV 94V H7C 8PS 8PP 8PL 8PD 8PY 8PQ 8PC 8PB 8PH 8PV EFS EFP EFL EFD EFX EFQ EFC EFB EFH EFV 9WC 9WB 9WH 9WV CTO-A A1S A1P A1L A1D A1Y A2S A2P A2L A2D A2Y A6S A6P A6L A6D A6Y A9S A9P A9L A9D A9Y AAS AAP AAL AAD AAY ACS ACP ACL ACD ACY AES AEP AEL AED AEY AHS AHP AHL AHD AHY 92S 92P 92L 92D 92Y 9AS 9AP 9AL 9AD 9AY AEB AEH 94S 94P 94L 94D 94Y 94Q 94C 94B 94H 91B 91H 96C 9GS 9GP 9GL 9GD 9GY 9HS 9HP 9HL 9HD 9HY 9HQ 9HC 9HB 9HH D6S D6P D6L D6D D6Y E4S E4P E4L E4D E4Y F1Q F2S F2Y F3S F3Y 8ES 8EY 8FB 8FH 8GS 8GY 8JQ EDS EDY DCS DCY DDS DDY DES DEP DEL DEY EAS EAY EBS EBY 9QS 9QY 8HS 8HP 8HL 8HD 8HY 8HQ 8HC 8HB 8HH 8HV EJQ HBQ HHC HHB HHH EJC EJB EJH EJV ERB ERH HBC HBB HBH HGC HGB HGH ETB ETH KHB KHH KEC KTQ KWQ KWC KWB KWH KWW) | 41A9635 | 2        | Y     |
| 2      | Power Supply - Japan (225 Watt) (models CTO-A 9WE 9WJ F8J HHJ HKJ EJE EJJ HBE HBJ DNJ 9SE 9SJ 8PE 8PJ EFE EFJ 94E 94J 9HE 9HJ H3E H3J 8HE 8HJ KWE KWJ)   | 41A9632 | 2        | Y     |
| 3      | DVD-ROM 16X/48X - Black-NON/VISTA (models 9SU 9SF 9SS 9SP 9SL 9SD 9SY 9SG 9SM 9SA 9SQ 9ST 9SC 9SB 9SH 9SV 9SK 9SR 9SE 9SJ 94V 94K 94R H6F 8PU 8PF 8PS 8PP 8PL 8PD 8PY 8PG 8PM 8PA 8PQ 8PT 8PC 8PB 8PH 8PV 8PK 8PR 8PE 8PJ EFU EFF EFS EFP EFL EFD EFX EFG EFM EFA EFQ EFT EFC EFB EFH EFV EFK EFR EFE EFJ J1U J1F J1M CTO F1A F1Q F1T F4M F6M 8JQ H3U H3F H3S H3P H3L H3D H3Y H3G H3M H3A H3Q H3T H3C H3B H3H H3V H3K H3R H3E H3J H4F H6M 8HU 8HF 8HS 8HP 8HL 8HD 8HY 8HG 8HM 8HA 8HQ 8HT 8HC 8HB 8HH 8HV 8HK 8HR 8HE 8HJ DFM EGM F8J HHC HHB HHH HHJ HLK EHA EHT EJU EJF EJS EJP EJJ EJD EJJ EJM EJA EJJ EJT EJC EJB EJJ EJV EJK EJR EJE EJJ ERB ERH HBU HBF HBS HBP HBL HBD HBY HBG HBM HBA HBQ HBT HBC HBB HBH HBV HBK HBR HBE HBJ HGC HGB HGH KHB KHH K2M K4M K5M K7M KBG KJQ KEC KPM KPA KRM KRA KTA KTQ KVA KWU KWF KWS KWP KWL KWD KWE KWY KW)  | 41N3325 | 1        | Y     |
| 3      | CD-RW/DVD-ROM Combo Drive 48X/32X/48X/16X Max---nonvista/vista (models H5S H5P H5L H5D H5Y H5B H5H H5K H7C H8K J2U J2F J2M CTO AAS AAP AAL AAD AAY AGK AHS AHP AHL AHD AHY B2K B4K 97G 98K 98R 99K 99R 9BU 9BF 9BM 9EM D2U D2F D2M D3M 9JU 9JF 9MM D8U D8F E3U E3F E4S E4P E4L E4D E4Y 94U 94F 94S 94P 94L 94D 94Y 94G 94Q 94T 94C 94B 94H 94E 94J 9FM D5M E1M 9HU 9HF 9HS 9HP 9HL 9HD 9HY 9HG 9HM 9HQ 9HT 9HC 9HB 9HH 9HE 9HJ 9NM D7U D7F F3S F3Y F5M F7K 8DK 8FB 8FH 8GS 8GY 8LM 8NU 8NF 8NM EDS EDY DDS DDY EBS EBY 9QS 9QY D9S D9Y E6S E6Y B1K B1R 9PU 9PF E2U E2F PUM DGM 9WU 9WF 9WS 9WP 9WL 9WD 9WY 9WG 9WM 9WA 9WQ 9WT 9WC 9WB 9WH 9WV 9WK 9W K3M K6M K8M K9M KAM KFU KFF KGU KGF KGU KLU KMU KNU)   | 42Y9353 | 1        | Y     |
| 3      | DVD-RW/CD-RW Rambo 7 - SATA (models CTO 9VM DHM K1M KCG KDG KQM KQA KSM KSA KUM)   | 42Y6374 | 1        | Y     |
| 3      | DVD-RW/CD-RW Rambo 7 - SATA (models CTO 9VM DHM K1M KCG KDG KQM KQA KSM KSA KUM)   | 42Y6373 | 1        | Y     |
| 3      | DVD Recorder Rambo 8 - SATA (models CTO KQM KQA KSM KSA KUM)   | 43C1042 | 1        | Y     |





| Item # | 8808 FRUs  | FRU#    | CRU Tier | RoHS? |
|--------|--|---------|----------|-------|
| 4      | Hard Disk Drive 160GB 7200 rpm Serial ATA (models CTO AAS AAP AAL AAD AAY AGK 97G 9DU 9DF D4M E4S E4P E4L E4D E4Y B2K F3S F3Y 8DK 8FB 8FH 8GS 8GY DDS DDY EBS EBY 99K 99R D9S D9Y E6S E6Y B1K B1R 95K 95R H5S H5P H5L H5D H5Y H5B H5H H5K H8K H9K 9VM DHM HKJ HLK ELK DKM ERB ERH ETM EYB ETH KHB KHH K3M K8M KCG KDG KQM KQA KSM KSA) | 40Y9035 | 1        | Y     |
| 4      | Hard Disk Drive 160GB 7200 rpm Serial ATA (models CTO AAS AAP AAL AAD AAY AGK 97G 9DU 9DF D4M E4S E4P E4L E4D E4Y B2K F3S F3Y 8DK 8FB 8FH 8GS 8GY DDS DDY EBS EBY 99K 99R D9S D9Y E6S E6Y B1K B1R 95K 95R H5S H5P H5L H5D H5Y H5B H5H H5K H8K H9K 9VM DHM HKJ HLK ELK DKM ERB ERH ETM EYB ETH KHB KHH K3M K8M KCG KDG KQM KQA KSM KSA) | 40Y8762 | 1        | Y     |
| 4      | Hard Disk Drive 250GB 7200 rpm Serial ATA (models CTO AHS AHP AHL AHD AHY B4K 91G 98K 98R 9AS 9AP 9AL 9AD 9AY 91B 91H 96C DES DEP DEL DEY DAS DAY HGC HGB HGH DNJ KUM)   | 40Y9036 | 1        | Y     |
| 4      | Hard Disk Drive 250GB 7200 rpm Serial ATA (models CTO AHS AHP AHL AHD AHY B4K 91G 98K 98R 9AS 9AP 9AL 9AD 9AY 91B 91H 96C DES DEP DEL DEY DAS DAY HGC HGB HGH DNJ KUM)   | 40Y8763 | 1        | Y     |
| 4      | Hard Disk Drive 500GB 7200 rpm Serial ATA (models CTO)   | 41X5582 | 1        | Y     |
| 5      | Rotating bay assembly (all models)   | 03R0285 | 2        | Y     |
| 6      | Plastic bezel kit (models)   | 41A7718 | 2        | Y     |
| 7      | Slim Diskette Drive, 1.44 MB 3 mode (without FDD cable and bezel ) (models CTO A1S A1P A1L A1D A1Y A2S A2P A2L A2D A2Y A6S A6P A6L A6D A6Y)  | 40Y9109 | 1        | Y     |
| 7      | Slim Diskette Drive, 1.44 MB 3 mode (without FDD cable and bezel ) (models CTO A1S A1P A1L A1D A1Y A2S A2P A2L A2D A2Y A6S A6P A6L A6D A6Y)  | 40Y9111 | 1        | Y     |
| 8      | Heat Sink, (all models)  | 41A7705 | 2        | Y     |
| 9      | Microprocessor, Pentium 4 3.06 GHz 533 FSB 1MB L2 (models CTO)   | 41T4104 | N        | Y     |
| 9      | Microprocessor, Pentium 4 3.0 GHz 800 FSB 1MB L2 (models CTO F1A F1Q F1T E7A E7T F8J)  | 41T1701 | N        | Y     |
| 9      | Microprocessor, Pentium 4 3.2 GHz 800 FSB 1MB L2 (models CTO)  | 41T1702 | N        | Y     |
| 9      | Microprocessor, Pentium 4 3.0 GHz 800 FSB 2MB L2 (models CTO)  | 41T1712 | N        | Y     |
| 9      | Microprocessor, Pentium 4 3.2 GHz 800 FSB 2MB L2 (models CTO)  | 41T1713 | N        | Y     |
| 9      | Microprocessor, Pentium 4 3.4 GHz 800 FSB 2MB L2 (models CTO)  | 41T1714 | N        | Y     |
| 9      | Microprocessor, Pentium 4 3.6 GHz 800 FSB 2MB L2 (models CTO)  | 41T1715 | N        | Y     |
| 9      | Microprocessor, Pentium D 2.8 GHz 800 FSB 2Mx2 L2 (models CTO F2S F2Y F3S F3Y F4M F5M F6M)   | 41T1704 | N        | Y     |
| 9      | Microprocessor, Pentium D 2.8 GHz 800 FSB 2Mx2 L2 (models CTO F7K ESG)   | 41X7775 | N        | Y     |
| 9      | Microprocessor, Pentium D 3.0 GHz 800 FSB 2Mx2 L2 (models CTO H3U H3F H3S H3P H3L H3D H3Y H3G H3M H3A H3Q H3T H3C H3B H3H H3V H3K H3R H3E H3J H4F H5S H5P H5L H5D H5Y H5B H5H H5K H6M H6F H7C H8K H9K C4U HHC HHB HHH HHJ HJM HKJ HLK)   | 41X2413 | N        | Y     |
| 9      | Microprocessor, Pentium D 3.0 GHz 800 FSB 2Mx2 L2 (models CTO)   | 41T1717 | N        | Y     |
| 9      | Microprocessor, Pentium D 3.2 GHz 800 FSB 2Mx2 L2 (models CTO ENA ENT EPG)   | 41X8050 | N        | Y     |







| Item # | 8808 FRUs            | FRU#    | CRU Tier | RoHS? |
|--------|----------------------|---------|----------|-------|
| 14     | Chassis (all models) | 41A7717 | 2        | Y     |

The FRUs listed in the following table are not illustrated.

| 8808 FRUs   | FRU#    | CRU Tier | RoHS? |
|---|---------|----------|-------|
| Hard disk drive tray (all models)                       | 03R0302 | 2        | Y     |
| Floor stand and vertical deflector (all models)         | 74P0404 | 2        | Y     |
| Cable, SATA 18" (all models)                            | 26K1186 | 1        | Y     |
| Cable, second serial port, 250mm HP (all models)        | 42Y8007 | 1        | Y     |
| Cable, SATA Device (all models)                         | 39K5026 | 1        | Y     |
| C2 Cable (Squall) (models)                              | 39K5022 | 1        | Y     |
| Cable, PWR/LED (all models)                             | 26K1242 | 1        | Y     |
| Cable, Diskette Drive (all models)                      | 26K1248 | 1        | Y     |
| Fan assembly (all models)                               | 26K1253 | 2        | Y     |
| Universal Adapter Bracket 5.25 to 3.5-inch (all models) | 32P4743 | 1        | Y     |
| Retention module, tool less heat sink (all models)      | 26K1281 | 2        | Y     |
| Shield, system board (all models)                       | 41A7719 | 2        | Y     |
| Latch bar on cover (all models)                         | 41R6188 | 2        | Y     |

| 8808 Keyboards (USB Preferred - without hub)  | FRU#    | CRU Tier | RoHS? |
|---|---------|----------|-------|
| US English and Chinese/US (models 9SU 9SL 9SG 9SM 9SA 9SQ 9SC 9SH 9SR 9SE 94R H7C 8PU 8PL 8PG 8PM 8PA 8PQ 8PC 8PH 8PR 8PE EFU EFL EFG EFM EFA EFQ EFC EFH EFR EFE J1U J1M J2U J2M 9UM 9VM DFM DGM DHM EGM 9WU 9WG 9W 9WA 9WQ 9WH 9WR 9WE A1L A2L A6L A9L AAL ACL AEL AEM AFM AHL 91G 92L 94U 97G 98R 99R 9AL 9BU 9DU AEH 94L 94G 94Q 94C 94H 94E 9BM 9EM 9FM D2U D2M D3M D4M D5M E1M 91H 96C 9GL 9HU 9HL 9HG 9HM 9HQ 9HC 9HH 9HE 9JU 9MM 9NM D6L D7U D8U E3U E4L F1A F1Q F4M F5M F6M 8FH 8JQ 8LM 8NU 8NM DEL E7A B1R 95R H3U H3L H3G H3M H3A H3Q H3C H3H H3R H3E H5L H5H H6M 8HU 8HL 8HG 8HM 8HA 8HQ 8HC 8HH 8HR 8HE 9PU E2U EJU HBU EJC EPG EQG ESG HBG 8QM EJM DJM DKM HBM HEM ETM EHA EJA ENA HBA EJC HBQ HHH EJJ ERH HBH HGH ETH EJR HBR EJE HBE EHL HBL HJM KHH K1M K2M K3M K4M K5M K6M K7M K8M K9M KAM KBG KCG KDG KFU KGU KJQ KLU KMU KNU KPM KPA QQM QQA KRM KRA KSM KSA KTA KTQ KUM KVA KWU KWG KWM KWA KWQ KWH KWR KWE) | 41A5289 | 1        | Y     |
| Arabic (models 91G 97G 94G 9HG H3G 9SG 8PG EFG 8HG 9WG EJC EPG EQG ESG HBG KWG)   | 41A5290 | 1        | Y     |
| Arabic/French (models 91G 97G 94G 9HG H3G 9SG 8PG EFG 8HG 9WG EJC EPG EQG ESG HBG)  | 41A5291 | 1        | Y     |
| Belgian/French (models 91G 97G 94G 9HG H3G 9SG 8PG EFG 8HG 9WG EJC EPG EQG ESG HBG KWG)   | 41A5292 | 1        | Y     |
| Belgian/UK (models 91G 97G 94G 9HG H3G 9SG 8PG EFG 8HG 9WG EJC EPG EQG ESG HBG KWG)   | 41A5293 | 1        | Y     |
| Brazilian (models A1P A2P A6P A9P AAP ACP AEP AHP 92P 9AP 94P 9GP 9HP D6P E4P DEP H3P H5P 9SP 8PP EFP 8HP 9WP EJP HBP KWP)  | 41A5294 | 1        | Y     |

| 8808 Keyboards (USB Preferred - without hub)  | FRU#    | CRU Tier | RoHS? |
|---|---------|----------|-------|
| Bulgarian (models 91G 97G 94G 9HG H3G 9SG 8PG EFG 8HG 9WG EJJ EPG EQG ESG HBG KWG)  | 41A5295 | 1        | Y     |
| Chinese/US (models AEB 94B 91B 9HB 8FB H3B H3V H5B 9SB 9SV 94V 8PB 8PV EFB EFV 8HB 8HV 8WB 9WV HHB EJB ERB HBB HGB ETB EJV HBV KHB KWB KWV)   | 41A5296 | 1        | Y     |
| Czech (models 91G 97G 94G 9HG H3G 9SG 8PG EFG 8HG 9WG EJJ EPG EQG ESG HBG KWG)  | 41A5297 | 1        | Y     |
| Danish (models 91G 97G 94G 9HG H3G 9SG 8PG EFG 8HG 9WG EJJ EPG EQG ESG HBG KWG)   | 41A5298 | 1        | Y     |
| Dutch (models 91G 97G 94G 9HG H3G 9SG 8PG EFG 8HG 9WG EJJ EPG EQG ESG HBG KWG)  | 41A5299 | 1        | Y     |
| French (models 91G 97G 94G 9HG H3G 9SG 8PG EFG 8HG 9WG EJJ EPG EQG ESG HBG KWG)   | 41A5300 | 1        | Y     |
| French Canadian 445 (models 94F 9BF 9DF D2F 9HF 9JF D7F D8F E3F 8NF H3F H4F 9SF H6F 8PF EFF J1F J2F 8HF 9PF E2F 9WF EJJ HBF KFF KGF KWF)  | 41A5301 | 1        | Y     |
| French Canadian 58 (models 94F 9BF 9DF D2F 9HF 9JF D7F D8F E3F 8NF H3F H4F 9SF H6F 8PF EFF J1F J2F 8HF 9PF E2F 9WF EJJ HBF KFF KGF KWF)   | 41A5302 | 1        | Y     |
| German (models 91G 97G 94G 9HG H3G 9SG 8PG EFG 8HG 9WG EJJ EPG EQG ESG HBG KWG)   | 41A5303 | 1        | Y     |
| Greek (models 91G 97G 94G 9HG H3G 9SG 8PG EFG 8HG 9WG EJJ EPG EQG ESG HBG KWG)  | 41A5304 | 1        | Y     |
| Greek/US (models 91G 97G 94G 9HG H3G 9SG 8PG EFG 8HG 9WG EJJ EPG EQG ESG HBG KWG)   | 41A5305 | 1        | Y     |
| Hebrew (models 91G 97G 94G 9HG H3G 9SG 8PG EFG 8HG 9WG EJJ EPG EQG ESG HBG KWG)   | 41A5306 | 1        | Y     |
| Hungarian (models 91G 97G 94G 9HG H3G 9SG 8PG EFG 8HG 9WG EJJ EPG EQG ESG HBG KWG)  | 41A5307 | 1        | Y     |
| Iceland (models 91G 97G 94G 9HG H3G 9SG 8PG EFG 8HG 9WG EJJ EPG EQG ESG HBG KWG)  | 41A5308 | 1        | Y     |
| Italian 141 (models 91G 97G 94G 9HG H3G 9SG 8PG EFG 8HG 9WG EJJ EPG EQG ESG HBG KWG)  | 41A5309 | 1        | Y     |
| Japanese (models 94J 9HJ H3J 9SJ 8PJ EFJ 8HJ 9WJ F8J HHJ HKJ EJJ HBJ DNJ KWJ)   | 41A5310 | 1        | Y     |
| Korean (models AGK B2K B4K 98K 99K F7K 8DK B1K 95K H3K H5K 9SK 94K H8K H9K 8PK EFK 8HK 9WK HLK EJK ELK HBK KWK)   | 41A5311 | 1        | Y     |
| LA Spanish (models A1S A1D A1Y A2S A2D A2Y A6S A6D A6Y A9S A9D A9Y AAS AAD AAY ACS ACD ACY AES AED AEY AHS AHD AHY 92S 92D 92Y 9AS 9AD 9AY 94S 94D 94Y 9GS 9GD 9GY 9HS 9HD 9HY D6S D6D D6Y E4S E4D E4Y F2S F2Y F3S F3Y 8ES 8EY 8GS 8GY EDS EDY DCS DCY DDS DDY DES DEY EAS EAY EBS EBY 9QS 9QY D9S D9Y DAS DAY E5S E5Y E6S E6Y H3S H3D H3Y H5S H5D H5Y 9SS 9SD 9SY 8PS 8PD 8PY EFS EFD EFY 8HS 8HD 8HY 9WS 9WD 9WY EJS EJD EJJ HBS HBD HBY KWS KWD KWY) | 41A5312 | 1        | Y     |
| Norwegian (models 91G 97G 94G 9HG H3G 9SG 8PG EFG 8HG 9WG EJJ EPG EQG ESG HBG KWG)  | 41A5313 | 1        | Y     |
| Polish (models 91G 97G 94G 9HG H3G 9SG 8PG EFG 8HG 9WG EJJ EPG EQG ESG HBG KWG)   | 41A5314 | 1        | Y     |
| Portuguese (models 91G 97G 94G 9HG H3G 9SG 8PG EFG 8HG 9WG EJJ EPG EQG ESG HBG KWG)   | 41A5315 | 1        | Y     |

| <b>8808 Keyboards (USB Preferred - without hub)</b>                                       | <b>FRU#</b> | <b>CRU Tier</b> | <b>RoHS?</b> |
|---|-------------|-----------------|--------------|
| Romanian 096 (models 91G 97G 94G 9HG H3G 9SG 8PG EFG 8HG 9WG EJG EPG EQG ESG HBG KWG)     | 41A5317     | 1               | Y            |
| Romanian 446 (models 91G 97G 94G 9HG H3G 9SG 8PG EFG 8HG 9WG EJG EPG EQG ESG HBG KWG)     | 41A5316     | 1               | Y            |
| Russian/Cyrillic (models 91G 97G 94G 9HG H3G 9SG 8PG EFG 8HG 9WG EJG EPG EQG ESG HBG KWG) | 41A5318     | 1               | Y            |
| Serbian/Cyrillic (models 91G 97G 94G 9HG H3G 9SG 8PG EFG 8HG 9WG EJG EPG EQG ESG HBG KWG) | 41A5319     | 1               | Y            |
| Slovak (models 91G 97G 94G 9HG H3G 9SG 8PG EFG 8HG 9WG EJG EPG EQG ESG HBG KWG)           | 41A5320     | 1               | Y            |
| Spanish (models 91G 97G 94G 9HG H3G 9SG 8PG EFG 8HG 9WG EJG EPG EQG ESG HBG KWG)          | 41A5321     | 1               | Y            |
| Swedish/Finn (models 91G 97G 94G 9HG H3G 9SG 8PG EFG 8HG 9WG EJG EPG EQG ESG HBG KWG)     | 41A5322     | 1               | Y            |
| Swiss (models 91G 97G 94G 9HG H3G 9SG 8PG EFG 8HG 9WG EJG EPG EQG ESG HBG KWG)            | 41A5323     | 1               | Y            |
| Thailand (models 94T 9HT F1T E7T H3T 9ST 8PT EFT 8HT 9WT EHT EJT ENT HBT KWT)             | 41A5324     | 1               | Y            |
| Turkish 440 (models 91G 97G 94G 9HG H3G 9SG 8PG EFG 8HG 9WG EJG EPG EQG ESG HBG KWG)      | 41A5325     | 1               | Y            |
| Turkish 179 (models 91G 97G 94G 9HG H3G 9SG 8PG EFG 8HG 9WG EJG EPG EQG ESG HBG KWG)      | 41A5326     | 1               | Y            |
| UK English (models 91G 97G 94G 9HG H3G 9SG 8PG EFG 8HG 9WG EJG EPG EQG ESG HBG KWG)       | 41A5327     | 1               | Y            |
| US Euro (models 91G 97G 94G 9HG H3G 9SG 8PG EFG 8HG 9WG EJG EPG EQG ESG HBG KWG)          | 41A5328     | 1               | Y            |
| Slovenian (models 91G 97G 94G 9HG H3G 9SG 8PG EFG 8HG 9WG EJG EPG EQG ESG HBG KWG)        | 41A5329     | 1               | Y            |

| <b>8808 Mice</b>                                      | <b>FRU#</b> | <b>CRU Tier</b> | <b>RoHS?</b> |
|---|-------------|-----------------|--------------|
| Mouse, Optical Wheel (400DPI, USB) (all models)       | 41U3013     | 1               | Y            |
| Mouse, Optical Wheel (400DPI, USB) (all models)       | 41U3030     | 1               | Y            |
| Mouse, ScrollPoint Optical (800DPI, USB) (models CTO) | 41U3019     | 1               | Y            |

| <b>8808 Wireless I/O</b>       | <b>FRU#</b> | <b>CRU Tier</b> | <b>RoHS?</b> |
|--------------------------------|-------------|-----------------|--------------|
| Wireless Keyboard (models CTO) | 41A5219     | 1               | Y            |
| Wireless Mouse (models CTO)    | 41A5247     | 1               | Y            |
| Transceiver (USB) (models CTO) | 41A5246     | 1               | Y            |

| <b>8808 Adapters and miscellaneous FRUs</b>                              | <b>FRU#</b> | <b>CRU Tier</b> | <b>RoHS?</b> |
|--|-------------|-----------------|--------------|
| PCI-E DVI-DConnection Adapter (Full Height) (models CTO 91G 91B 91H H8K) | 39J9334     | 1               | Y            |
| IEEE 1394 Firewire Adapter - full height (models CTO)                    | 41D2781     | 1               | Y            |

| 8808 Adapters and miscellaneous FRUs   | FRU#    | CRU Tier | RoHS? |
|--|---------|----------|-------|
| Speakers, Lenovo Branded (models CTO)  | 41A5334 | 1        | Y     |
| Speaker Power brick - US, Canada, LA low voltage, ASEAN (models KPA KQA KRA KSA KTA KVA) | 89P8571 | 1        | Y     |
| Speaker Power brick - LA high voltage (non-APU) (models KWD)                             | 89P8575 | 1        | Y     |
| Speaker Power brick - China, Thailand (models KWC KWT)                                   | 89P8581 | 1        | Y     |
| Speaker Power brick - Japan (models KWJ)   | 89P8577 | 1        | Y     |
| Speaker Power brick - ANZ (models KPM KQM KRM KSM KUM KWM)                               | 89P8579 | 1        | Y     |
| Speaker Brick - Korea (models KWK)   | 41A4903 | 1        | Y     |
| Speaker Brick - Hong Kong, EMEA (models KWB KWH KWG)                                     | 89P8573 | 1        | Y     |
| Speaker Brick - Taiwan (models KWV)  | 41A4905 | 1        | Y     |
| Speaker Power brick - India, South Africa (models KTQ KWQ)                               | 89P8585 | 1        | Y     |
| Thermal grease syringe (all models)  | 91P8835 | 1        | Y     |

| 8808 Power Cords  | FRU#    | CRU Tier | RoHS? |
|---|---------|----------|-------|
| Power cord - US (models 9SU 9SF 9SS 9SL 9SD 9SA 9ST H6F 8PU 8PF 8PS 8PL 8PD 8PA 8PT EFU EFF EFS EFL EFD EFA EFT J1U J1F J2U J2F CTO-U A1S A1L A1D A2S A2L A2D A6S A6L A6D A9S A9L A9D AAS AAL AAD ACS ACL ACD AES AEL AED AHS AHL AHD 92S 92L 92D 94U 94F 9AS 9AL 9AD 9BU 9BF 9DU 9DF 94S 94L 94D 94T D2U D2F 9GS 9GL 9GD 9HU 9HF 9HS 9HL 9HD 9HT 9JU 9JF D6S D6L D6D D7U D7F D8U D8F E3U E3F E4S E4L E4D F1A F1T F2S F3S 8ES 8GS 8NU 8NF EDS DCS DDS DES DEL EAS EBS 9QS D9S DAS E5S E6S E7A E7T H3U H3F H3S H3L H3D H3A H3T H4F H5S H5L H5D 8HU 8HF 8HS 8HL 8HD 8HA 8HT 9PU 9PF E2U E2F9WU 9WF 9WS 9WD 9WL 9WA 9WT EJU HBU EJF HBF EJS HBS EJD HBD EJJ HBL EHA EJA ENA HBA EHT EJT ENT HBT KFU KFF KGU KGF KJU KLU KMU KNU KPA KQA KRA KSA KTA KVA KWU KWF KWS KWD KWL KWA KWT) | 39M5080 | 1        | Y     |
| Power cord - China (models CTO-A 94C 96C 9HC H3C 9SC H7C 8PC EFC 8HC 9WC HHC EJC HBC HGC KEC KWC)   | 39M5205 | 1        | Y     |
| Power cord - Japan (models CTO-A 94E 94J 9HE 9HJ H3E H3J 9SE 9SJ 8PE 8PJ EFE EFJ 8HE 8HJ 9WE 9WJ F8J HHJ HKJ EJE EJJ HBE HBJ DNJ KWE KWJ)   | 39M5193 | 1        | Y     |
| Power cord - Brazil (models CTO-L A1P A2P A6P A9P AAP ACP AEP AHP 92P 9AP 94P 9GP 9HP D6P E4P DEP H3P H5P 9SP 8PP EFP 8HP 9WP EJP HBP KWP)  | 39M5232 | 1        | Y     |
| Power cord - LA High Volt (APU) (models CTO-L A1L A1Y A2L A2Y A6L A6Y A9L A9Y AAL AAY ACL ACY AEL AEY AHL AHY 92L 92Y 9AL 9AY 94L 94Y 9GL 9GY 9HL 9HY D6L D6Y E4L E4Y F2Y F3Y 8EY 8GY EDY DCY DDY DEL DEY EAY EBY 9QY D9Y DAY E5Y E6Y H3L H3Y H5L H5Y 9SL 9SY 8PL 8PY EFL EFY 8HL 8HY 9WY 9WL EJJ HBY EJJ HBL KWL KWL)  | 39M5067 | 1        | Y     |
| Power cord - Australia/New Zealand (models CTO-A AEM AFM 9BM 9EM 9FM D2M D3M D4M D5M E1M 9HM 9MM 9NM F4M F5M F6M 8LM 8NM H3M H6M 9SM 8PM EFM J1M J2M 8HM PUM PVM DFM DGM DHM EGM 9WM HJM 8QM EJM DJM DKM K1M K2M K3M K4M K5M K6M K7M K8M K9M KAM KPM HQM KRM KSM KUM KWM)   | 39M5102 | 1        | Y     |
| Power cord - Korea (models CTO-A AGK B2K B4K 98K 98R 99K 99R F7K 8DK B1K B1R 95K 95R H3K H3R H5K 9SK 9SR 94K 94R H8K H9K 8PK 8PR EFK EFR 8HK 8HR 9WK 9WR HLK EJK ELK HBK EJR HBR KWK)   | 39M5212 | 1        | Y     |



| <b>8808 Power Cords</b>   | <b>FRU#</b> | <b>CRU Tier</b> | <b>RoHS?</b> |
|---|-------------|-----------------|--------------|
| Power cord - Hong Kong (models CTO-A AEB AEH 94B 94H 91B 91H 9HB 9HH 8FB 8FH H3B H3H H5B H5H 9SB 9SH 8PB 8PH EFB EFH 8HB 8HH 9WB 9WH HHB HHH EJB EJH ERB ERH HBB HBH HGB HGH ETB ETH KHB KHH KWB KWH)   | 39M5151     | 1               | Y            |
| Power cord - UK, Ireland, Singapore, Malaysia, Brunei (models CTO-G CTO-A 91G 97G 94G 9HG F1A E7A H3G H3A 9SG 9SA 8PG 8PA EFG EFA 8HG 8HA 9WG 9WA EJG EFG EQG ESG HBG EHA EJA ENA HBA KBG KCG KDG KPA KQA KRA KSA KTA KVA KWG KWA)  | 39M5150     | 1               | Y            |
| Power cord - Taiwan (models CTO-A H3V 9SV 94V 8PV EFV 8HV 9WV EJV HBV KWV)  | 39M5246     | 1               | Y            |
| Power cord - Italy (models CTO-G A1S A1L A1Y A2S A2L A2Y A6S A6L A6Y A9S A9L A9Y AAS AAL AAY ACS ACL ACY AES AEL AEY AHS AHL AHY 91G 92S 92L 92Y 97G 9AS 9AL 9AY 94S 94L 94Y 94G 9GS 9GL 9GY 9HS 9HL 9HY 9HG D6S D6L D6Y E4S E4L E4Y F2S F2Y F3S F3Y 8ES 8EY 8GS 8GY EDS EDY DCS DCY DDS DDY DES DEL DEY EAS EAY EBS EBY 9QS 9QY D9S D9Y DAS DAY E5S E5Y E6S E6Y H3S H3L H3Y H3G H5S H5L H5Y 9SS 9SL 9SY 9SG 8PS 8PL 8PY 8PG EFS EFL EFY EFG 8HS 8HL 8HY 8HG 9WS 9WY 9WL 9WG EJS HBS EJY HBY EJJ HBL EJJ EFG EQG ESG HBG KWS KWy KWL KWG) | 39M5164     | 1               | Y            |
| Power cord - World Trade (models CTO-A F1A E7A H3A 9SA 8PA EFA 8HA 9WA EHA EJA ENA HBA KPA KQA KRA KSA KTA KVA KWA)   | 39M5122     | 1               | Y            |
| Power cord - Denmark (models CTO-G 91G 97G 94G 9HG H3G 9SG 8PG EFG 8HG EJJ EFG EQG ESG HBG KBG KCG KDG KWG)   | 39M5129     | 1               | Y            |
| Power cord - Switzerland (models CTO-G 91G 97G 94G 9HG H3G 9SG 8PG EFG 8HG 9WG EJJ EFG EQG ESG HBG KBG KCG KDG KWG)   | 39M5157     | 1               | Y            |
| Power cord - Israel (models CTO-G 91G 97G 94G 9HG H3G 9SG 8PG EFG 8HG 9WG EJJ EFG EQG ESG HBG KBG KCG KDG KWG)  | 39M5171     | 1               | Y            |
| Power cord - South Africa (models CTO-G AEM AFM 91G 97G 94G 9BM 9EM 9FM D2M D3M D4M D5M E1M 9HG 9HM 9MM 9NM F1A F4M F5M F6M 8LM 8NM E7A H3G H3M H3A H6M 9SG 9SM 9SA 8PG 8PM 8PA EFG EFM EFA J1M J2M 8HG 8HM 8HA PUM PVM DFM DGM DHM EGM 9WG 9W 9WA EJJ EFG EQG ESG HBG HJM 8QM EJM DJM DKM HBM HEM ETM EHA EJA ENA HBA K1M K2M K3M K4M K5M K6M K7M K8M K9M KAM KBG KCG KDG KPM HQM KRM KSM KUM KPA KQA KRA KSA KTA KVA KWG KWM KWA)   | 39M5143     | 1               | Y            |
| Power cord - India (models CTO-A 94Q 9HQ F1Q 8JQ H3Q 9SQ 8PQ EFQ 8HQ 9WQ EJJ HBQ KJQ KTQ KWQ)   | 39M5004     | 1               | Y            |

| <b>8808 Windows XP Home Recovery CDs</b>            | <b>FRU#</b> | <b>CRU Tier</b> | <b>RoHS?</b> |
|---|-------------|-----------------|--------------|
| US/UK/AP/TH (models AFM 98R 99R 9EM B1R)            | 42Y3242     | 1               | Y            |
| Korean (models AGK B2K B4K 98K 99K F7K 8DK H9K B1K) | 42T8651     | 1               | Y            |

| 8808 Windows XP Pro Recovery CDs   | FRU#    | CRU Tier | RoHS? |
|--|---------|----------|-------|
| US/UK/AP/TH (models A2L A6L A9L AAL ACL AEL AEM AFM AHL 91G 92L 94U 97G 9AL 9BU 9DU AEH 94L 94G 94Q 94T 94H 94E 9BM 9FM D2U D2M D3M D4M D5M E1M 91H 9GL 9HU 9HL 9HG 9HM 9HQ 9HT 9HH 9HE 9JU 9MM 9NM D6L D7U D8U E3U E4L F1A F1Q F1T F4M F5M F6M 8FH 8JQ 8LM 8NU 8NM D2R DEL 8HU 8HL 8HG 8HM 8HA 8HQ 8HT 8HH 8HR 8HE 9PU E2U 95R H1L H1Q H2M H3U H3L H3G H3M H3A H3Q H3T H3H H3R H3E H5L H5H 94R EFU EFL EFG EFM EFA EFQ EFT EFH EFR EFE C3U C4U C5U C6U 9UM 9VM DFM DGM DHM EGM 9WU 9WL 9WG 9WM 9WA 9WQ 9WT 9WH 9WR 9WE AFM KKU KLU HJM 8QM EJM DJ K1M K2M K5M K6M K7M K8M K9M KBG KGU KPM KPA QQM KQA KRM KRA KSM KSA KTA KTQ KUM KVA KWU KWG KWM KWA KWQ KWH KWR KWE ) | 42Y3236 | 1        | Y     |
| RE (models 91G 97G 94G 9HG 8HG H3G EFG 9WG KBG EJJ EPG EQG ESG HBG KCG KDG KWG)  | 42Y5464 | 1        | Y     |
| FR/CF (models 91G 94F 97G 9BF 9DF 94G D2F 9HF 9HG 9JF D7F D8F E3F 8NF 8HF 8HG 9PF E2F H3F H3G H4F EFF EFG 9WF 9WG KFF KBG KWF KWG)   | 42Y4449 | 1        | Y     |
| GR (models 91G 97G 94G 9HG 8HG H3G EFG 9WG KBG EJJ HBF EJJ EPG EQG ESG HBG KCG KDG KFF EJJ EPG EQG ESG HBG KCG KDG KWG)  | 42Y4450 | 1        | Y     |
| SP/LA (models A2S A2D A2Y A6S A6D A6Y A9S A9D A9Y AAS AAD AAY ACS ACD ACY AES AED AEY AHS AHD AHY 91G 92S 92D 92Y 97G 9AS 9AD 9AY 94S 94D 94Y 94G 9GS 9GD 9GY 9HS 9HD 9HY 9HG D6S D6D D6Y E4S E4D E4Y F2S F2Y F3S F3Y 8ES 8EY 8GS 8GY EDS EDY DCS DCY DDS DDY DES DEY EAS EAY EBS EBY 9QS 9QY D9S D9Y DAS DAY E5S E5Y E6S E6Y 8HS 8HD 8HY 8HG H1S H1D H1Y H3S H3D H3Y H3G H5S H5D H5Y EFS EFD EFY EFG 9WS 9WD 9WY 9WG EJS HBS EJD HBD EJJ HBY EJJ EPG EQG ESG HBG KCG KDG KWS KWD KWY)   | 42Y4451 | 1        | Y     |
| IT (models 91G 97G 94G 9HG 8HG H3G EFG 9WG KBG EJJ HBF EJJ EPG EQG ESG HBG KCG KDG KFF EJJ EPG EQG ESG HBG KCG KDG KWG)  | 42Y4452 | 1        | Y     |
| BR (models 9WP KWP)  | 42Y4453 | 1        | Y     |
| SV (models 91G 97G 94G 9HG 8HG H3G EFG 9WG KBG EJJ HBF EJJ EPG EQG ESG HBG KCG KDG KFF EJJ EPG EQG ESG HBG KCG KDG KWG)  | 42Y4454 | 1        | Y     |
| DK (models 91G 97G 94G 9HG 8HG H3G EFG 9WG KBG EJJ HBF EJJ EPG EQG ESG HBG KCG KDG KFF EJJ EPG EQG ESG HBG KCG KDG KWG)  | 42Y4455 | 1        | Y     |
| FI (models 91G 97G 94G 9HG 8HG H3G EFG 9WG KBG EJJ HBF EJJ EPG EQG ESG HBG KCG KDG KFF EJJ EPG EQG ESG HBG KCG KDG KWG)  | 42Y5465 | 1        | Y     |
| NO (models 91G 97G 94G 9HG 8HG H3G EFG 9WG KBG EJJ HBF EJJ EPG EQG ESG HBG KCG KDG KFF EJJ EPG EQG ESG HBG KCG KDG KWG)  | 42Y5466 | 1        | Y     |
| NL (models 91G 97G 94G 9HG 8HG H3G EFG 9WG KBG EJJ HBF EJJ EPG EQG ESG HBG KCG KDG KFF EJJ EPG EQG ESG HBG KCG KDG KWG)  | 42Y5467 | 1        | Y     |
| Korea (models F7K D2K 8HK 95K H3K H5K 94K EFK 9WK F7K EJK HBK KWK)   | 42T8621 | 1        | Y     |
| Simplified Chinese (models 94C 96C 9HC 8HC H3C H7C EFC 9WC HHC EJC HBC HGC KWK)  | 42T8627 | 1        | Y     |
| Taiwan - TC (models 8HV H3V 94V EFV 9WV EJV HBV KWV)   | 42T8633 | 1        | Y     |
| Hong Kong - TC (models AEB 94B 91B 9HB 8FB 8HB H3B H5B EFB HHB EJB ERB HBB HGB ETB KWV)  | 42T8639 | 1        | Y     |
| Japanese (models 94J 9HJ 8HJ H3J EFJ 9WJ F8J HHJ HKJ EJJ HBJ DNJ KWJ)  | 42T8645 | 1        | Y     |
| HE (models 91G 97G 94G 9HG 8HG H3G EFG 9WG KBG EJJ HBF EJJ EPG EQG ESG HBG KCG KDG KFF EJJ EPG EQG ESG HBG KCG KDG KWG)  | 42Y5468 | 1        | Y     |
| PL (models 91G 97G 94G 9HG 8HG H3G EFG 9WG KBG EJJ HBF EJJ EPG EQG ESG HBG KCG KDG KFF EJJ EPG EQG ESG HBG KCG KDG KWG)  | 42Y5469 | 1        | Y     |

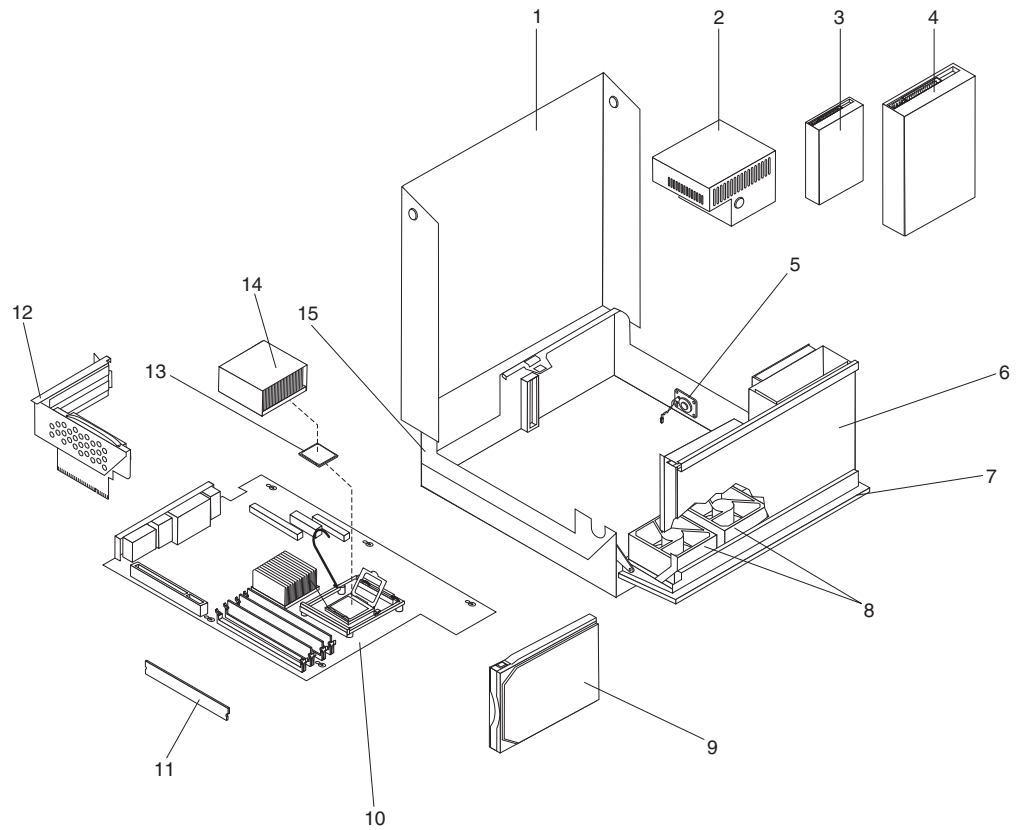
| 8808 Windows XP Pro Recovery CDs  | FRU#    | CRU Tier | RoHS? |
|---|---------|----------|-------|
| CZ (models 91G 97G 94G 9HG 8HG H3G EFG 9WG KBG EJF HBF EJG EPG EQG ESG HBG KCG KDG KFF EJG EPG EQG ESG HBG KCG KDG KWG)                                   | 42Y5470 | 1        | Y     |
| AE (models 91G 97G 94G 9HG 8HG H3G EFG 9WG KBG EJF HBF EJG EPG EQG ESG HBG KCG KDG KFF EJG EPG EQG ESG HBG KCG KDG KWG)                                   | 42Y5471 | 1        | Y     |
| RU (models 91G 97G 94G 9HG 8HG H3G EFG 9WG KBG EJF HBF EJG EPG EQG ESG HBG KCG KDG KFF EJG EPG EQG ESG HBG KCG KDG KWG)                                   | 42Y5472 | 1        | Y     |
| TR (models 91G 97G 94G 9HG 8HG H3G EFG 9WG KBG EJF HBF EJG EPG EQG ESG HBG KCG KDG KFF EJG EPG EQG ESG HBG KCG KDG KWG)                                   | 42Y5473 | 1        | Y     |
| HU (models 91G 97G 94G 9HG 8HG H3G EFG 9WG KBG EJF HBF EJG EPG EQG ESG HBG KCG KDG KFF EJG EPG EQG ESG HBG KCG KDG KWG)                                   | 42Y5474 | 1        | Y     |
| PO (models 91G 97G 94G 9HG 8HG H3G EFG 9WG KBG EJF HBF EJG EPG EQG ESG HBG KCG KDG KFF EJG EPG EQG ESG HBG KCG KDG KWG)                                   | 42Y5475 | 1        | Y     |
| GK (models 91G 97G 94G 9HG 8HG H3G EFG 9WG KBG EJF HBF EJG EPG EQG ESG HBG KCG KDG KFF EJG EPG EQG ESG HBG KCG KDG KWG)                                   | 42Y5476 | 1        | Y     |
| SL (models 91G 97G 94G 9HG 8HG H3G EFG 9WG KBG EJF HBF EJG EPG EQG ESG HBG KCG KDG KFF EJG EPG EQG ESG HBG KCG KDG KWG)                                   | 42Y5477 | 1        | Y     |
| Multilingual 1 -- EN, NL, FR, GR, IT (models 91G 97G 94G 9HG 8HG H3G EFG 9WG KBG EJF HBF EJG EPG EQG ESG HBG KCG KDG KFF EJG EPG EQG ESG HBG KCG KDG KWG) | 42Y4533 | 1        | Y     |
| Multilingual 2 -- EN, DK, FI, NO, SV (models 91G 97G 94G 9HG 8HG H3G EFG 9WG KBG EJF HBF EJG EPG EQG ESG HBG KCG KDG KFF EJG EPG EQG ESG HBG KCG KDG KWG) | 42Y5626 | 1        | Y     |

| 8808 Vista Home Basic 32 Recovery DVDs | FRU#    | CRU Tier |
|--|---------|----------|
| US/UK/AP/TH (models EHA)               | 43C1440 | 1        |
| FR/CF (models)                         | 43C1441 | 1        |
| GR (models)                            | 43C1442 | 1        |
| SP/LA (models)                         | 43C1443 | 1        |
| BR (models)                            | 43C1444 | 1        |
| IT (models)                            | 43C1445 | 1        |
| JP (models)                            | 43C1446 | 1        |
| NO (models)                            | 43C1447 | 1        |
| SV (models)                            | 43C1448 | 1        |
| DK (models)                            | 43C1449 | 1        |
| NL (models)                            | 43C1450 | 1        |
| CZ (models)                            | 43C1451 | 1        |
| FI (models)                            | 43C1452 | 1        |
| PL (models)                            | 43C1453 | 1        |
| RU (models)                            | 43C1454 | 1        |
| TR (models)                            | 43C1455 | 1        |
| HU (models)                            | 43C1456 | 1        |
| GK (models)                            | 43C1457 | 1        |
| PO (models)                            | 43C1458 | 1        |
| CS (models)                            | 43C1459 | 1        |

| 8808 Vista Home Basic 32 Recovery DVDs | FRU#    | CRU Tier |
|--|---------|----------|
| TW (models)                            | 43C1460 | 1        |
| HK (models)                            | 43C1461 | 1        |
| KR (models HLK ELK)                    | 43C1462 | 1        |
| SL (models)                            | 43C1463 | 1        |
| RE (models)                            | 43C1464 | 1        |

| 8808 Vista Business 32 Recovery DVDs   | FRU#    | CRU Tier |
|--|---------|----------|
| US/UK/AP/TH (models HJM 8QM EJM DJM DKM HBM HEM ETM HHH EJU HBU EJJ HBL EJJ EPG EQG ESG HBG EJA HBA EJJ HBQ EJJ ERH HBH HGH ETH EJR HBR EJE HBE KHH K3M K4M KAM KCG KDG KFU KJQ KNU) | 43C1390 | 1        |
| FR/CF (models EJJ HBF EJJ EPG EQG ESG HBG KCG KDG KFF)   | 43C1391 | 1        |
| GR (models EJJ EPG EQG ESG HBG KCG KDG)  | 43C1392 | 1        |
| SP/LA (models EJS HBS EJD HBD EJJ HBY EJJ EPG EQG ESG HBG KCG KDG)   | 43C1393 | 1        |
| BR (models EJJ HBP )   | 43C1394 | 1        |
| IT (models EJJ EPG EQG ESG HBG KCG KDG)  | 43C1395 | 1        |
| JP (models F8J HHJ HKJ EJJ HBJ DNJ )   | 43C1396 | 1        |
| NO (models EJJ EPG EQG ESG HBG KCG KDG)  | 43C1397 | 1        |
| SV (models EJJ EPG EQG ESG HBG KCG KDG)  | 43C1398 | 1        |
| DK (models EJJ EPG EQG ESG HBG KCG KDG)  | 43C1399 | 1        |
| NL (models EJJ EPG EQG ESG HBG KCG KDG)  | 43C1400 | 1        |
| CZ (models EJJ EPG EQG ESG HBG KCG KDG)  | 43C1401 | 1        |
| FI (models EJJ EPG EQG ESG HBG KCG KDG)  | 43C1402 | 1        |
| PL (models EJJ EPG EQG ESG HBG KCG KDG)  | 43C1403 | 1        |
| RU (models EJJ EPG EQG ESG HBG KCG KDG)  | 43C1404 | 1        |
| TR (models EJJ EPG EQG ESG HBG KCG KDG)  | 43C1405 | 1        |
| HU (models EJJ EPG EQG ESG HBG KCG KDG)  | 43C1406 | 1        |
| GK (models EJJ EPG EQG ESG HBG KCG KDG)  | 43C1407 | 1        |
| PO (models EJJ EPG EQG ESG HBG KCG KDG)  | 43C1408 | 1        |
| CS (models HHC EJC HBC HGC )   | 43C1409 | 1        |
| TW (models EJV HBV )   | 43C1410 | 1        |
| HK (models HHB EJB ERB HBB HGB ETBKHB )  | 43C1411 | 1        |
| KR (models EJK HBK )   | 43C1412 | 1        |
| SL (models EJJ EPG EQG ESG HBG KCG KDG)  | 43C1413 | 1        |
| RE (models EJJ EPG EQG ESG HBG KCG KDG)  | 43C1414 | 1        |

# Machine Type 8810



| Item # | 8810 FRUs  | FRU#    | CRU Tier | RoHS? |
|--------|--|---------|----------|-------|
| 1      | Top cover (all models)   | 41R4835 | 2        | Y     |
| 2      | Power Supply (225 Watt) (models CTO A8M A9M 91G 93U 93F 95K 95R 96K 96R 98U 98F 99M 9AU 9AF 9BK 9BR 94G 94M 94T 9CM 9DM 9EM 9FM 9GM 9HM D1U D1F D2U D2F D3U D3F D4M D5M E1M 6BK 6GM 9KK 9KR F3F F4F F4K F6F F7G 94A 94K 94R F8U F8F F8G F8M F8A F8T F8K F8R 6JU 6JF 6JG 6JM 6JA 6JT 6JK 6JR D7U D7F D7G D7M D7A D7T D7K D7R 6EU 6EF 6EG 6EM 6EA 6ET 6EK 6ER 6FU 6FF FCK FDM 6NM 6PK 9NU 9NF 9NS 9NP 9NL 9ND 9NY 9NG 9NM 9NA 9NT 9NK 9NR D8M E5G E6G E3A E3T D9K H6M H7M H5G H1U H1F H2U H2F)   | 41N3432 | 2        | Y     |
| 2      | Power Supply - China (225 Watt) (models 94V F8S F8P F8L F8D F8Y F8Q F8C F8B F8H F8V 6JS 6JP 6JL 6JD 6JY 6JQ 6JC 6JB 6JH 6JV D7S D7P D7L D7D D7Y D7Q D7C D7B D7H D7V CTO-A A2S A2P A2L A2D A2Y A3S A3P A3L A3D A3Y A4S A4P A4L A4D A4Y A5S A5P A5L A5D A5Y A6S A6P A6L A6D A6Y A7S A7P A7L A7D A7Y A8S A8P A8L A8D A8Y AAS AAP AAL AAD AAY 92S 92P 92L 92D 92Y 97S 97P 97L 97D 97Y A8B A8H 94S 94P 94L 94D 94Y 94Q 94C 94B 94H 6AB 6AH 6CS 6CP 6CY 6DS 6DP 6DY 6HS 6HP 6HL 6HY D6S D6P D6L D6Y F1Q F2S F2P F2L F2D F2Y F2Q F5S F5P F5L F5D F5Y F5B F5H 6ES 6EP 6EL 6ED 6EY 6EQ 6EC 6EB 6EH 6EV FDC FDB FDH 6LC 6LB 6LH 9NC 9NB 9NH 9NQ 9NV E4B E4H H3B H3H H4Q) | 41N3436 | 2        | Y     |
| 2      | Power Supply - Japan (225 Watt) (models CTO-A F8J 6JJ D7J 9NE 9NJ 94E 94J F8E 6JE D7E 6EE 6EJ)   | 41N3441 | 2        | Y     |

| Item # | 8810 FRUs  | FRU#    | CRU Tier | RoHS? |
|--------|--|---------|----------|-------|
| 2      | Power Supply, 275 active PFC-WW, China, JAPAN (models CTO A8M A9M 91G 93U 93F 95K 95R 96K 96R 98U 98F 99M 9AU 9AF 9BK 9BR 94G 94M 94T 94E 94J 9CM 9DM 9EM 9FM 9GM 9HM D1U D1F D2U D2F D3U D3F D4M D5M E1M 6BK 6GM 9KK 9KR F3F F4F F4K F6F F7G 94A 94K 94R F8U F8F F8G F8M F8A F8T F8K F8R F8E 6JU 6JF 6JG 6JM 6JA 6JT 6JK 6JR 6JE D7U D7F D7G D7M D7A D7T D7K D7R D7E 6EU 6EF 6EG 6EM 6EA 6ET 6EK 6ER 6EE 6EJ 6FU 6FF FCK FDM 6NM 6PK 9NU 9NF 9NS 9NP 9NL 9ND 9NY 9NG 9NM 9NA 9NT 9NK 9NR D8M E5G E6G E3A E3T D9K ADD 94V F8S F8P F8L F8D F8Y F8Q F8C F8B F8H F8V 6JS 6JP 6JL 6JD 6JY 6JQ 6JC 6JB 6JH 6JV D7S D7P D7L D7D D7Y D7Q D7C D7B D7H D7V A2S A2P A2L A2D A2Y A3S A3P A3L A3D A3Y A4S A4P A4L A4D A4Y A5S A5P A5L A5D A5Y A6S A6P A6L A6D A6Y A7S A7P A7L A7D A7Y A8S A8P A8L A8D A8Y AAS AAP AAL AAD AAY 92S 92P 92L 92D 92Y 97S 97P 97L 97D 97Y A8B A8H 94S 94P 94L 94D 94Y 94Q 94C 94B 94H 6AB 6AH 6CS 6CP 6CY 6DS 6DP 6DY 6HS 6HP 6HL 6HY D6S D6P D6L D6Y F1Q F2S F2P F2L F2D F2Y F2Q F5S F5P F5L F5D F5Y F5B F5H 6ES 6EP 6EL ADD 6ED 6EY 6EQ 6EC 6EB 6EH 6EV FDC FDB FDH 6LC 6LB 6LH 9NC 9NB 9NH 9NQ 9NV E4B E4H F8J 6JJ D7J 9NE 9NJ) | 41A9640 | 2        | Y     |
| 3      | Diskette drive, 3.5" 1.44MB 2-mode (models CTO A2S A2P A2L A2D A2Y A3S A3P A3L A3D A3Y A4S A4P A4L A4D A4Y 6AB 6AH F1Q)  | 40Y9107 | 1        | Y     |
| 3      | Diskette drive, 3.5" 1.44MB 2-mode (models CTO A2S A2P A2L A2D A2Y A3S A3P A3L A3D A3Y A4S A4P A4L A4D A4Y 6AB 6AH F1Q)  | 40Y9105 | 1        | Y     |
| 4      | DVD-ROM 16X/48X - Black-NON/VISTA (models 94A 94V 94K 94R F8U F8F F8S F8P F8L F8D F8Y F8G F8M F8A F8Q F8T F8C F8B F8H F8V F8K F8R F8E F8J 6JU 6JF 6JS 6JP 6JL 6JD 6JY 6JG 6JM 6JA 6JQ 6JT 6JC 6JB 6JH 6JV 6JK 6JR 6JE 6JJ CTO 94U 94F 99M 94S 94P 94L 94D 94Y 94G 94M 94Q 94T 94C 94B 94H 94E 94J 9EM 9HM D2U D2F D4M D5M 6GM F3F F4F F4K 6EU 6EF 6ES 6EP 6EL 6ED 6EY 6EG 6EM 6EA 6EQ 6ET 6EC 6EB 6EH 6EV 6EK 6ER 6EE 6EJ FDM FDC FDB FDH 6LC 6LB 6LH 9NU 9NF 9NS 9NP 9NL 9ND 9NY 9NG 9NM 9NA 9NQ 9NT 9NC 9NB 9NH 9NV 9NK 9NR 9NE 9NJ D8M D9K E4B E4H H3B H3H H6M )  | 41N3325 | 1        | Y     |
| 4      | CD-RW/DVD-ROM Combo Drive 48X/32X/48X/16X Max---nonvista/vista (models CTO A6S A6P A6L A6D A6Y AAS AAP AAL AAD AAY 93U 93F 96K 96R 98U 98F 9CM 9DM 9FM D1U D1F 6AB 6AH 6BK 6DS 6DP 6DY 6HS 6HP 6HL 6HY F5S F5P F5L F5D F5Y F5B F5H F6F F7G D7U D7F D7S D7P D7L D7D D7Y D7G D7M D7A D7Q D7T D7C D7B D7H D7V D7K D7R D7E D7J 6FU 6FF H1U H1F H2U H2F H4Q FCK 6NM 6PK E3A E3T E5G E6G)  | 42Y9353 | 1        | Y     |
| 4      | DVD-RW/CD-RW Rambo 7 - SATA (models CTO 91G 97S 97P 97L 97D 97Y 9AU 9AF 9BK 9BR 9GM D3U D3F D6S D6P D6L D6Y H7M H5G)   | 42Y6374 | 1        | Y     |
| 4      | DVD-RW/CD-RW Rambo 7 - SATA (models CTO 91G 97S 97P 97L 97D 97Y 9AU 9AF 9BK 9BR 9GM D3U D3F D6S D6P D6L D6Y H7M H5G)   | 42Y6373 | 1        | Y     |
| 4      | DVD Recorder Rambo 8 - SATA (models CTO)   | 43C1042 | 1        | Y     |
| 5      | Speaker/cable assembly (all models)  | 39K5012 | 1        | Y     |
| 6      | Rotating cage assembly (all models)  | 41N5324 | 2        | Y     |
| 7      | Bezel Kit (all models)   | 41N5322 | 1        | Y     |
| 8      | Front fan and bracket assembly (all models)  | 39M0585 | 2        | Y     |

| Item # | 8810 FRUs   | FRU#    | CRU Tier | RoHS? |
|--------|---|---------|----------|-------|
| 9      | Hard Disk Drive 80GB 7200 rpm Serial ATA (models F4F F4K F6F 94A 94V 94K 94R F8U F8F F8S F8P F8L F8D F8Y F8G F8M F8A F8Q F8T F8C F8B F8H F8V F8K F8R F8E F8J 6JU 6JF 6JS 6JP 6JL 6JD 6JY 6JG 6JM 6JA 6JQ 6JT 6JC 6JB 6JH 6JV 6JK 6JR 6JE 6JJ D7U D7F D7S D7P D7L D7D D7Y D7G D7M D7A D7Q D7T D7C D7B D7H D7V D7K D7R D7E D7J CTO A2S A2P A2L A2D A2Y A3S A3P A3L A3D A3Y A4S A4P A4L A4D A4Y A5S A5P A5L A5D A5Y A7S A7P A7L A7D A7Y A8S A8P A8L A8D A8Y A8M A9M 92S 92P 92L 92D 92Y 93U 93F 94U 94F 98U 98F 99M A8B A8H 94S 94P 94L 94D 94Y 94G 94M 94Q 94T 94C 94B 94H 94E 94J 9CM 9DM 9EM 9FM 9HM D1U D1F D2U D2F D4M D5M E1M 6CS 6CP 6CY 6GM F1Q F2S F2P F2L F2D F2Y F2Q F3F 6EU 6EF 6ES 6EP 6EL 6ED 6EY 6EG 6EM 6EA 6EQ 6ET 6EC 6EB 6EH 6EV 6EK 6ER 6EE 6EJ 6FU 6FF FCK FDM FDC FDB FDH 6LC 6LB 6LH 6NM 9NU 9NF 9NS 9NP 9NL 9ND 9NY 9NG 9NM 9NA 9NQ 9NT 9NC 9NB 9NH 9NV 9NK 9NR 9NE 9NJ D8M D9K E3A E3T E5G E6G H6M H1U H1F H2U H2F) | 40Y9034 | 1        | Y     |
| 9      | Hard Disk Drive 80GB 7200 rpm Serial ATA (models F4F F4K F6F 94A 94V 94K 94R F8U F8F F8S F8P F8L F8D F8Y F8G F8M F8A F8Q F8T F8C F8B F8H F8V F8K F8R F8E F8J 6JU 6JF 6JS 6JP 6JL 6JD 6JY 6JG 6JM 6JA 6JQ 6JT 6JC 6JB 6JH 6JV 6JK 6JR 6JE 6JJ D7U D7F D7S D7P D7L D7D D7Y D7G D7M D7A D7Q D7T D7C D7B D7H D7V D7K D7R D7E D7J CTO A2S A2P A2L A2D A2Y A3S A3P A3L A3D A3Y A4S A4P A4L A4D A4Y A5S A5P A5L A5D A5Y A7S A7P A7L A7D A7Y A8S A8P A8L A8D A8Y A8M A9M 92S 92P 92L 92D 92Y 93U 93F 94U 94F 98U 98F 99M A8B A8H 94S 94P 94L 94D 94Y 94G 94M 94Q 94T 94C 94B 94H 94E 94J 9CM 9DM 9EM 9FM 9HM D1U D1F D2U D2F D4M D5M E1M 6CS 6CP 6CY 6GM F1Q F2S F2P F2L F2D F2Y F2Q F3F 6EU 6EF 6ES 6EP 6EL 6ED 6EY 6EG 6EM 6EA 6EQ 6ET 6EC 6EB 6EH 6EV 6EK 6ER 6EE 6EJ 6FU 6FF FCK FDM FDC FDB FDH 6LC 6LB 6LH 6NM 9NU 9NF 9NS 9NP 9NL 9ND 9NY 9NG 9NM 9NA 9NQ 9NT 9NC 9NB 9NH 9NV 9NK 9NR 9NE 9NJ D8M D9K E3A E3T E5G E6G H6M H1U H1F H2U H2F) | 40Y8761 | 1        | Y     |
| 9      | Hard Disk Drive 160GB 7200 rpm Serial ATA (models CTO A6S A6P A6L A6D A6Y 9AU 9AF 9GM D3U D3F 6AB 6AH 6BK 6DS 6DP 6DY 6HS 6HP 6HL 6HY 9KK 9KR F5S F5P F5L F5D F5Y F5B F5H F7G 6PK E4B E4H H3B H3H H5G H4Q)  | 40Y9035 | 1        | Y     |
| 9      | Hard Disk Drive 160GB 7200 rpm Serial ATA (models CTO A6S A6P A6L A6D A6Y 9AU 9AF 9GM D3U D3F 6AB 6AH 6BK 6DS 6DP 6DY 6HS 6HP 6HL 6HY 9KK 9KR F5S F5P F5L F5D F5Y F5B F5H F7G 6PK E4B E4H H3B H3H H5G H4Q)  | 40Y8762 | 1        | Y     |
| 9      | Hard Disk Drive 250GB 7200 rpm Serial ATA (models CTO AAS AAP AAL AAD AAY 91G 95K 95R 96K 96R 97S 97P 97L 97D 97Y 9BK 9BR D6S D6P D6L D6Y H7M)  | 40Y9036 | 1        | Y     |
| 9      | Hard Disk Drive 250GB 7200 rpm Serial ATA (models CTO AAS AAP AAL AAD AAY 91G 95K 95R 96K 96R 97S 97P 97L 97D 97Y 9BK 9BR D6S D6P D6L D6Y H7M)  | 40Y8763 | 1        | Y     |
| 9      | Hard Disk Drive 500GB 7200 rpm Serial ATA (models CTO)  | 41X5582 | 1        | Y     |

| Item # | 8810 FRUs   | FRU#    | CRU Tier | RoHS? |
|--------|---|---------|----------|-------|
| 10     | System Board (models 94A 94V 94K 94R F8U F8F F8S F8P F8L F8D F8Y F8G F8M F8A F8Q F8T F8C F8B F8H F8V F8K F8R F8E F8J 6JU 6JF 6JS 6JP 6JL 6JD 6JY 6JG 6JM 6JA 6JQ 6JT 6JC 6JB 6JH 6JV 6JK 6JR 6JE 6JJ D7U D7F D7S D7P D7L D7D D7Y D7G D7M D7A D7Q D7T D7C D7B D7H D7V D7K D7R D7E D7J C3U D1U D1F D2U D2F D3U D3F D4M D5M E1M 6AB 6AH 6BK 6CS 6CP 6CY 6DS 6DP 6DY 6GM 6HS 6HP 6HL 6HY 9KK 9KR D6S D6P D6L D6Y F1Q F2S F2P F2L F2D F2Y F2Q F3F F4F F4K F5S F5P F5L F5D F5Y F5B F5H F6F F7G 6EU 6EF 6ES 6EP 6EL 6ED 6EY 6EG 6EM 6EA 6EQ 6ET 6EC 6EB 6EH 6EV 6EK 6ER 6EE 6EJ 6FU 6FF CTO A2S A2P A2L A2D A2Y A3S A3P A3L A3D A3Y A4S A4P A4L A4D A4Y A5S A5P A5L A5D A5Y A6S A6P A6L A6D A6Y A7S A7P A7L A7D A7Y A8S A8P A8L A8D A8Y A8M A9M AAS AAP AAL AAD AAY 91G 92S 92P 92L 92D 92Y 93U 93F 94U 94F 95K 95R 96K 96R 97S 97P 97L 97D 97Y 98U 98F 99M 9AU 9AF 9BK 9BR A8B A8H 94S 94P 94L 94D 94Y 94G 94M 94Q 94T 94C 94B 94H 94E 94J 9CM 9DM 9EM 9FM 9GM 9HM C4U C5U C6U FCK FDM FDC FDB FDH 6LC 6LB 6LH 6NM 6PK 9NU 9NF 9NS 9NP 9NL 9ND 9NY 9NG 9NM 9NA 9NQ 9NT 9NC 9NB 9NH 9NV 9NK 9NR 9NE 9NJ D8M D9K E3A E3T E4B E4H E5G E6G H3B H3H H6M H7M H5G H1U H1F H2U H2F H4Q) | 43C7180 | 2        | Y     |
| 10     | System Board (models 94A 94V 94K 94R F8U F8F F8S F8P F8L F8D F8Y F8G F8M F8A F8Q F8T F8C F8B F8H F8V F8K F8R F8E F8J 6JU 6JF 6JS 6JP 6JL 6JD 6JY 6JG 6JM 6JA 6JQ 6JT 6JC 6JB 6JH 6JV 6JK 6JR 6JE 6JJ D7U D7F D7S D7P D7L D7D D7Y D7G D7M D7A D7Q D7T D7C D7B D7H D7V D7K D7R D7E D7J C3U D1U D1F D2U D2F D3U D3F D4M D5M E1M 6AB 6AH 6BK 6CS 6CP 6CY 6DS 6DP 6DY 6GM 6HS 6HP 6HL 6HY 9KK 9KR D6S D6P D6L D6Y F1Q F2S F2P F2L F2D F2Y F2Q F3F F4F F4K F5S F5P F5L F5D F5Y F5B F5H F6F F7G 6EU 6EF 6ES 6EP 6EL 6ED 6EY 6EG 6EM 6EA 6EQ 6ET 6EC 6EB 6EH 6EV 6EK 6ER 6EE 6EJ 6FU 6FF CTO A2S A2P A2L A2D A2Y A3S A3P A3L A3D A3Y A4S A4P A4L A4D A4Y A5S A5P A5L A5D A5Y A6S A6P A6L A6D A6Y A7S A7P A7L A7D A7Y A8S A8P A8L A8D A8Y A8M A9M AAS AAP AAL AAD AAY 91G 92S 92P 92L 92D 92Y 93U 93F 94U 94F 95K 95R 96K 96R 97S 97P 97L 97D 97Y 98U 98F 99M 9AU 9AF 9BK 9BR A8B A8H 94S 94P 94L 94D 94Y 94G 94M 94Q 94T 94C 94B 94H 94E 94J 9CM 9DM 9EM 9FM 9GM 9HM C4U C5U C6U FCK FDM FDC FDB FDH 6LC 6LB 6LH 6NM 6PK 9NU 9NF 9NS 9NP 9NL 9ND 9NY 9NG 9NM 9NA 9NQ 9NT 9NC 9NB 9NH 9NV 9NK 9NR 9NE 9NJ D8M D9K E3A E3T E4B E4H E5G E6G H3B H3H H6M H7M H5G H1U H1F H2U H2F H4Q) | 45C0083 | 2        | Y     |
| 11     | Memory - 512MB DDR2 SDRAM NP Memory (PC 4200) (models CTO)  | 30R5121 | 1        | Y     |
| 11     | Memory - 512MB DDR2 SDRAM NP Memory (PC 4200) (models CTO)  | 41X4251 | 1        | Y     |
| 11     | Memory - 1GB DDR2 SDRAM NP Memory (PC 4200) (models CTO)  | 30R5122 | 1        | Y     |
| 11     | Memory - 2GB DDR2 SDRAM NP Memory (PC 4200) (models CTO)  | 30R5123 | 1        | Y     |
| 11     | Memory - 512MB DDR2 SDRAM NP (PC 5300) (models CTO A5S A5P A5L A5D A5Y A6S A6P A6L A6D A6Y A8S A8P A8L A8D A8Y A8M A9M AAS AAP AAL AAD AAY 92S 92P 92L 92D 92Y 93U 93F 94U 94F 95K 95R 96K 96R 97S 97P 97L 97D 97Y A8B A8H 94S 94P 94L 94D 94Y 94G 94M 94Q 94T 94C 94B 94H 94E 94J 9CM 9DM 9EM D1U D1F D2U D2F D4M 6AB 6AH 6CS 6CP 6CY 6GM 6HS 6HP 6HL 6HY 9KK 9KR F2S F2P F2L F2D F2Y F2Q F3F F 94A 94V 94K 94R 6EU 6EF 6ES 6EP 6EL 6ED 6EY 6EG 6EM 6EA 6EQ 6ET 6EC 6EB 6EH 6EV 6EK 6ER 6EE 6EJ ADD FCK FDM FDC FDB FDH 6LC 6LB 6LH 6NM 6PK 9NU 9NF 9NS 9NP 9NL 9ND 9NY 9NG H6M)   | 30R5125 | 1        | Y     |



| Item # | 8810 FRUs  | FRU#    | CRU Tier | RoHS? |
|--------|--|---------|----------|-------|
| 11     | Memory - 1GB DDR2 SDRAM NP (PC 5300) (models CTO 91G 98U 98F 99M 9AU 9AF 9BK 9BR 9FM 9GM 9HM D3U D3F D5M E1M 6BK 6DS 6DP 6DY D6S D6P D6L D6Y F6F F8U F8F F8S F8P F8L F8D F8Y F8G F8M F8A F8Q F8T F8C F8B F8H F8V F8K F8R F8E F8J 6JU 6JF 6JS 6JP 6JL 6JD 6JY 6JG 6JM 6JA 6JQ 6JT 6JC 6JB 6JH 6JV 6JK 6JR 6JE 6JJ D7U D7F D7S D7P D7L D7D D7Y D7G D7M D7A D7Q D7T D7C D7B D7H D7V D7K D7R D7E D7J 6FU 6FF H3B H3H H7M H5G H1U H1F H2U H2F H4Q)  | 41X4252 | 1        | Y     |
| 11     | Memory - 1GB DDR2 SDRAM NP (PC 5300) (models CTO 91G 98U 98F 99M 9AU 9AF 9BK 9BR 9FM 9GM 9HM D3U D3F D5M E1M 6BK 6DS 6DP 6DY D6S D6P D6L D6Y F6F F8U F8F F8S F8P F8L F8D F8Y F8G F8M F8A F8Q F8T F8C F8B F8H F8V F8K F8R F8E F8J 6JU 6JF 6JS 6JP 6JL 6JD 6JY 6JG 6JM 6JA 6JQ 6JT 6JC 6JB 6JH 6JV 6JK 6JR 6JE 6JJ D7U D7F D7S D7P D7L D7D D7Y D7G D7M D7A D7Q D7T D7C D7B D7H D7V D7K D7R D7E D7J 6FU 6FF H3B H3H H7M H5G H1U H1F H2U H2F H4Q ) | 30R5126 | 1        | Y     |
| 11     | Memory - 2GB DDR2 SDRAM NP (PC 5300) (models CTO)  | 30R5127 | 1        | Y     |
| 11     | Memory - 512MB DDR2 SDRAM NP (PC 6400) (models CTO)  | 41X1079 | 1        | Y     |
| 11     | Memory - 1GB DDR2 SDRAM NP (PC 6400) (models CTO)  | 41X1080 | 1        | Y     |
| 11     | Memory - 2GB DDR2 SDRAM NP (PC 6400) (models CTO)  | 41X1081 | 1        | Y     |
| 12     | Riser card and bracket assembly (all models)   | 39M0587 | 1        | Y     |
| 13     | Microprocessor, Pentium 4 3.06 GHz 533 FSB 1MB L2 (models CTO)   | 41T4104 | N        | Y     |
| 13     | Microprocessor, Pentium 4 3.0 GHz 800 FSB 1MB L2 (models CTO)  | 41T1701 | N        | Y     |
| 13     | Microprocessor, Pentium 4 3.2 GHz 800 FSB 1MB L2 (models CTO)  | 41T1702 | N        | Y     |
| 13     | Microprocessor, Pentium 4 3.0 GHz 800 FSB 2MB L2 (models CTO)  | 41T1712 | N        | Y     |
| 13     | Microprocessor, Pentium 4 3.2 GHz 800 FSB 2MB L2 (models CTO)  | 41T1713 | N        | Y     |
| 13     | Microprocessor, Pentium 4 3.4 GHz 800 FSB 2MB L2 (models CTO)  | 41T1714 | N        | Y     |
| 13     | Microprocessor, Pentium 4 3.6 GHz 800 FSB 2MB L2 (models CTO)  | 41T1715 | N        | Y     |
| 13     | Microprocessor, Pentium D 2.8 GHz 800 FSB 2Mx1 L2 (models CTO)   | 41T1704 | N        | Y     |
| 13     | Microprocessor, Pentium D 2.8 GHz 800 FSB 2Mx2 L2 (models CTO)   | 41X7775 | N        | Y     |
| 13     | Microprocessor, Pentium D 3.0 GHz 800 FSB 2Mx2 L2 (models CTO F1Q F2S F2P F2L F2D F2Y F2Q F3F F4F F4K F5S F5P F5L F5D F5Y F5B F5H F6F F7G F8U F8F F8S F8P F8L F8D F8Y F8G F8M F8A F8Q F8T F8C F8B F8H F8V F8K F8R F8E F8J C4U FCK FDM FDC FDB FDH)   | 41X2413 | N        | Y     |
| 13     | Microprocessor, Pentium D 3.0 GHz 800 FSB 2Mx2 L2 (models CTO)   | 41T1717 | N        | Y     |
| 13     | Microprocessor, Pentium D 3.2 GHz 800 FSB 2Mx2 L2 (models CTO E6G)   | 41X8050 | N        | Y     |
| 13     | Microprocessor, Pentium E2140 800/1600MHZ-1M, LGA, EM64T (models CTO H6M H7M H5G H1U H1F H2U H2F H4Q)  | 43C1967 | N        | Y     |
| 13     | Microprocessor, Pentium E2160 800/1800MHZ-1M, LGA, EM64T (models CTO H3B H3H)  | 43C1968 | N        | Y     |
| 13     | Microprocessor, Pentium CONROE-L E2180 2.0GHz 800MHz FSB, 1M, EM64T (models)   | 45C1773 | N        | Y     |
| 13     | Microprocessor, Pentium CONROE-L E2220 2.4GHz 800MHz FSB, 1M, EM64T (models)   | 45C1774 | N        | Y     |
| 13     | Microprocessor, Core 2 Duo E4500 Processor 2.2GHz 800MHz FSB 2M (models)   | 43C6305 | N        | Y     |

| Item # | 8810 FRUs   | FRU#    | CRU Tier | RoHS? |
|--------|---|---------|----------|-------|
| 13     | Microprocessor, Conroe E6300 Processor 1.86GHz 1066MHz FSB 2M L2 (models CTO 91G 92S 92P 92L 92D 92Y 93U 93F 94U 94F 95K 95R 96K 96R 97S 97P 97L 97D 97Y 98U 98F 99M 9AU 9AF 9BK 9BR 94S 94P 94L 94D 94Y 94G 94M 94Q 94T 94C 94B 94H 94E 94J 9CM 9DM 9EM 9FM 9GM 9HM 9KK 9KR 94A 94V 94K 94R C3U C4U 9NU 9NF 9NS 9NP 9NL 9ND 9NY 9NG 9NM 9NA 9NQ 9NT 9NC 9NB 9NH 9NV 9NK 9NR 9NE 9NJ) | 41X2495 | N        | Y     |
| 13     | Microprocessor, Core 2 Duo E6320 1.86GHz 1066MHz FSB 4M B2 (models CTO)   | 43C3829 | N        | Y     |
| 13     | Microprocessor, Conroe E6400 Processor 2.13GHz 1066MHz FSB 2M L2 (models CTO D1U D1F D2U D2F D3U D3F D4M D5M D6S D6P D6L D6Y D7U D7F D7S D7P D7L D7D D7Y D7G D7M D7A D7Q D7T D7C D7B D7H D7V D7K D7R D7E D7J C6U D8M D9K)   | 41X2496 | N        | Y     |
| 13     | Microprocessor, Core 2 Duo E6400 Processor 2.13GHz 1066MHz FSB 2M L2 (models CTO)   | 43C3831 | N        | Y     |
| 13     | Microprocessor, Pentium D 3.4 GHz 800 FSB 2Mx2 L2 (models CTO 6AB 6AH 6BK 6CS 6CP 6CY 6DS 6DP 6DY 6GM 6HS 6HP 6HL 6HY 6JU 6JF 6JS 6JP 6JL 6JD 6JY 6JG 6JM 6JA 6JQ 6JT 6JC 6JB 6JH 6JV 6JK 6JR 6JE 6JJ 6EU 6EF 6ES 6EP 6EL 6ED 6EY 6EG 6EM 6EA 6EQ 6ET 6EC 6EB 6EH 6EV 6EK 6ER 6EE 6EJ 6FU 6FF C5U 6LC 6LB 6LH 6NM 6PK)  | 41X7776 | N        | Y     |
| 13     | Microprocessor, Conroe E6600 Processor 2.40GHz 1066MHz FSB 4M L2 (models CTO E1M)   | 41X5743 | N        | Y     |
| 13     | Microprocessor, Conroe E6700 Processor 2.67GHz 1066MHz FSB 4M L2 (models CTO)   | 41X5744 | N        | Y     |
| 13     | Microprocessor, Celeron D 2.66GHz 533MHz FSB 256KB L2 (models CTO)  | 41T1694 | N        | Y     |
| 13     | Microprocessor, Celeron D 2.80GHz 533MHz FSB 256KB L2 (models CTO A2S A2P A2L A2D A2Y A3S A3P A3L A3D A3Y)  | 41T1695 | N        | Y     |
| 13     | Microprocessor, Celeron D 2.93GHz 533MHz FSB 256KB L2 (models CTO A4S A4P A4L A4D A4Y A5S A5P A5L A5D A5Y A6S A6P A6L A6D A6Y)  | 41T1696 | N        | Y     |
| 13     | Microprocessor, Celeron D 3.06GHz 533MHz FSB 256KB L2 (models CTO A7S A7P A7L A7D A7Y A8S A8P A8L A8D A8Y A8M A9M AAS AAP AAL AAD AAY A8B A8H)  | 41T1697 | N        | Y     |
| 13     | Microprocessor, Celeron D 3.06GHz 533MHz FSB 512KB L2 (models CTO)  | 42Y8530 | N        | Y     |
| 13     | Microprocessor, Celeron D 3.20GHz 533MHz FSB 256KB L2 (models CTO)  | 41T1698 | N        | Y     |
| 13     | Microprocessor, Celeron D 3.20GHz 533MHz FSB 512KB L2 (models CTO)  | 41T4966 | N        | Y     |
| 13     | Microprocessor, Celeron D 3.33GHz 533MHz FSB 512KB L2 (models CTO)  | 41T4968 | N        | Y     |
| 13     | Microprocessor, Celeron 420 800/1600MHZ-512K,LGA,EM64T A1 (models CTO)  | 43C3835 | N        | Y     |
| 13     | Microprocessor, Celeron 430 800/1800MHZ-512K,LGA,EM64T A1 (models CTO)  | 43C1964 | N        | Y     |
| 13     | Microprocessor, Celeron 440 800/1800MHZ-512K,LGA,EM64T A1 (models CTO)  | 43C1965 | N        | Y     |
| 13     | Microprocessor, Core 2 Duo E4300 1.8GHz 800MHz FSB 2M L2 (models CTO E3A E3T E4B E4H E5G)   | 42Y8009 | N        | Y     |
| 13     | Microprocessor, Core 2 Duo E4400 2.0GHz 800MHz FSB 2M L2 (models CTO)   | 43C2056 | N        | Y     |
| 14     | Heat Sink and Retention Module kit (all models)   | 41A7713 | 2        | Y     |
| 15     | Mechanical base (all models)  | 41R4841 | 2        | Y     |

The FRUs listed in the following table are not illustrated.

| 8810 FRUs   | FRU#    | CRU Tier | RoHS? |
|---|---------|----------|-------|
| Hard disk drive bracket assembly (all models)                           | 39M0578 | 1        | Y     |
| Power switch/LED cable assembly (all models)                            | 39M0580 | 2        | Y     |
| SATA cable assembly (all models)  | 39K0526 | 1        | Y     |
| Intrusion switch cable (all models)                                     | 39K5022 | 1        | Y     |
| Vertical stand (all models)   | 39M0589 | 1        | Y     |
| Bezel assembly, optical rotating (all models)                           | 39M0592 | 2        | Y     |
| EMC Shield kit (diskette drive and optical bays) (all models)           | 41N5325 | 1        | Y     |
| EMC Shield, system board (all models)                                   | 41N5326 | 1        | Y     |
| Cable asm, diskette drive (all models)                                  | 41N8269 | 1        | Y     |
| Thermal sense cable (460 mm) (all models)                               | 41R2509 | 1        | Y     |
| AC-DC converter, ADP, internal enclosed assembly, 275WATTS (all models) | 41A9640 | 1        | Y     |
| Universal Adapter Bracket 5.25 to 3.5-inch (all models)                 | 32P4743 | 1        | Y     |

| 8810 Keyboards (USB Preferred - without hub)  | FRU#    | CRU Tier | RoHS? |
|---|---------|----------|-------|
| US English (models A2L A3L A4L A5L A6L A7L A8L A8M A9M AAL 91G 92L 93U 94U 95R 96R 97L 98U 99M 9AU 9BR A8H 94L 94G 94M 94Q 94C 94H 94E 9CM 9DM 9EM 9FM 9GM 9HM D1U D2U D3U D4M D5M E1M 6AH 6GM 6HL 9KR D6L F1Q F2L F2Q F5L F5H F7G 94A 94R F8U F8L F8G F8M F8A F8Q F8C F8H F8R F8E 6JU 6JL 6JG 6JM 6JA 6JQ 6JC 6JH 6JR 6JE D7U D7L D7G D7M D7A D7Q D7C D7H D7R D7E 6EU 6EL 6EG 6EM 6EA 6EQ 6EC 6EH 6ER 6EE 6FU 9NU 9NL 9NG E5G E6G FDM 6NM 9NM D8M 9NA E3A 9NQ FDH 6KH 9NH E4H 9NR 9NE H3H H6M H7M H5G H1U H2U H4Q) | 41A5289 | 1        | Y     |
| China (models FDC 6LC 9NC)  | TBD     | 1        | Y     |
| Arabic (models 91G 94G F7G F8G 6JG D7G 6EG 9NG E5G E6G H5G)   | 41A5290 | 1        | Y     |
| Arabic/French (models 91G 94G F7G F8G 6JG D7G 6EG 9NG E5G E6G H5G)  | 41A5291 | 1        | Y     |
| Belgian/French (models 91G 94G F7G F8G 6JG D7G 6EG 9NG E5G E6G H5G)   | 41A5292 | 1        | Y     |
| Belgian/UK (models 91G 94G F7G F8G 6JG D7G 6EG 9NG E5G E6G H5G)   | 41A5293 | 1        | Y     |
| Brazilian (models A2P A3P A4P A5P A6P A7P A8P AAP 92P 97P 94P 6CP 6DP 6HP D6P F2P F5P F8P 6JP D7P 6EP 9NP)  | 41A5294 | 1        | Y     |
| Bulgarian (models 91G 94G F7G F8G 6JG D7G 6EG 9NG E5G E6G H5G)  | 41A5295 | 1        | Y     |
| Chinese/US (models A8B 94B 6AB F5B 94V F8B F8V 6JB 6JV D7B D7V 6EB 6EV FDB 6LB 9NB E4B 9NV H3B)   | 41A5296 | 1        | Y     |
| Czech (models 91G 94G F7G F8G 6JG D7G 6EG 9NG E5G E6G H5G)  | 41A5297 | 1        | Y     |
| Danish (models 91G 94G F7G F8G 6JG D7G 6EG 9NG E5G E6G H5G)   | 41A5298 | 1        | Y     |
| Dutch (models 91G 94G F7G F8G 6JG D7G 6EG 9NG E5G E6G H5G)  | 41A5299 | 1        | Y     |
| French (models 91G 94G F7G F8G 6JG D7G 6EG 9NG E5G E6G H5G)   | 41A5300 | 1        | Y     |
| French Canadian 445 (models 93F 94F 98F 9AF D1F D2F D3F F3F F4F F6F F8F 6JF D7F 6EF 6FF 9NF H1F H2F)  | 41A5301 | 1        | Y     |
| French Canadian 58 (models 93F 94F 98F 9AF D1F D2F D3F F3F F4F F6F F8F 6JF D7F 6EF 6FF 9NF H1F H2F)   | 41A5302 | 1        | Y     |
| German (models 91G 94G F7G F8G 6JG D7G 6EG 9NG E5G E6G H5G)   | 41A5303 | 1        | Y     |
| Greek (models 91G 94G F7G F8G 6JG D7G 6EG 9NG E5G E6G H5G)  | 41A5304 | 1        | Y     |

| <b>8810 Keyboards (USB Preferred - without hub)</b>   | <b>FRU#</b> | <b>CRU Tier</b> | <b>RoHS?</b> |
|---|-------------|-----------------|--------------|
| Greek/US (models 91G 94G F7G F8G 6JG D7G 6EG 9NG E5G E6G H5G)   | 41A5305     | 1               | Y            |
| Hebrew (models 91G 94G F7G F8G 6JG D7G 6EG 9NG E5G E6G H5G)   | 41A5306     | 1               | Y            |
| Hungarian (models 91G 94G F7G F8G 6JG D7G 6EG 9NG E5G E6G H5G)  | 41A5307     | 1               | Y            |
| Iceland (models 91G 94G F7G F8G 6JG D7G 6EG 9NG E5G E6G H5G)  | 41A5308     | 1               | Y            |
| Italian 141 (models 91G 94G F7G F8G 6JG D7G 6EG 9NG E5G E6G H5G)  | 41A5309     | 1               | Y            |
| Japanese (models 94J F8J 6JJ D7J 6EJ 9NJ)   | 41A5310     | 1               | Y            |
| Korean (models 95K 96K 9BK 6BK 9KK F4K 94K F8K 6JK D7K 6EK FCK 6PK 9NK D9K )  | 41A5311     | 1               | Y            |
| LA Spanish (models A2S A2D A2Y A3S A3D A3Y A4S A4D A4Y A5S A5D A5Y A6S A6D A6Y A7S A7D A7Y A8S A8D A8Y AAS AAD AAY 92S 92D 92Y 97S 97D 97Y 94S 94D 94Y 6CS 6CY 6DS 6DY 6HS 6HY D6S D6Y F2S F2D F2Y F5S F5D F5Y F8S F8D F8Y 6JS 6JD 6JY D7S D7D D7Y 6ES 6ED 6EY 9NS 9ND 9NY) | 41A5312     | 1               | Y            |
| Norwegian (models 91G 94G F7G F8G 6JG D7G 6EG 9NG E5G E6G H5G)  | 41A5313     | 1               | Y            |
| Polish (models 91G 94G F7G F8G 6JG D7G 6EG 9NG E5G E6G H5G)   | 41A5314     | 1               | Y            |
| Portuguese (models 91G 94G F7G F8G 6JG D7G 6EG 9NG E5G E6G H5G)   | 41A5315     | 1               | Y            |
| Romanian 096 (models 91G 94G F7G F8G 6JG D7G 6EG 9NG E5G E6G H5G)   | 41A5317     | 1               | Y            |
| Romanian 446 (models 91G 94G F7G F8G 6JG D7G 6EG 9NG E5G E6G H5G)   | 41A5316     | 1               | Y            |
| Russian/Cyrillic (models 91G 94G F7G F8G 6JG D7G 6EG 9NG E5G E6G H5G)   | 41A5318     | 1               | Y            |
| Serbian/Cyrillic (models 91G 94G F7G F8G 6JG D7G 6EG 9NG E5G E6G H5G)   | 41A5319     | 1               | Y            |
| Slovak (models 91G 94G F7G F8G 6JG D7G 6EG 9NG E5G E6G H5G)   | 41A5320     | 1               | Y            |
| Spanish (models 91G 94G F7G F8G 6JG D7G 6EG 9NG E5G E6G H5G)  | 41A5321     | 1               | Y            |
| Swedish/Fin (models 91G 94G F7G F8G 6JG D7G 6EG 9NG E5G E6G H5G)  | 41A5322     | 1               | Y            |
| Swiss (models 91G 94G F7G F8G 6JG D7G 6EG 9NG E5G E6G H5G)  | 41A5323     | 1               | Y            |
| Thailand (models 94T F8T 6JT D7T 6ET 9NT E3T)   | 41A5324     | 1               | Y            |
| Turkish 440 (models 91G 94G F7G F8G 6JG D7G 6EG 9NG E5G E6G H5G)  | 41A5325     | 1               | Y            |
| Turkish 179 (models 91G 94G F7G F8G 6JG D7G 6EG 9NG E5G E6G H5G)  | 41A5326     | 1               | Y            |
| UK English (models 91G 94G F7G F8G 6JG D7G 6EG 9NG E5G E6G H5G)   | 41A5327     | 1               | Y            |
| US Euro (models 91G 94G F7G F8G 6JG D7G 6EG 9NG E5G E6G H5G)  | 41A5328     | 1               | Y            |
| Slovenian (models 91G 94G F7G F8G 6JG D7G 6EG 9NG E5G E6G H5G)  | 41A5329     | 1               | Y            |

| <b>8810 Mice</b>                                      | <b>FRU#</b> | <b>CRU Tier</b> | <b>RoHS?</b> |
|---|-------------|-----------------|--------------|
| Mouse, Optical Wheel (400DPI, USB) (all models)       | 41U3013     | 1               | Y            |
| Mouse, Optical Wheel (400DPI, USB) (all models)       | 41U3030     | 1               | Y            |
| Mouse, ScrollPoint Optical (800DPI, USB) (models CTO) | 41U3019     | 1               | Y            |

| <b>8810 Wireless I/O</b>       | <b>FRU#</b> | <b>CRU Tier</b> | <b>RoHS?</b> |
|--------------------------------|-------------|-----------------|--------------|
| Wireless Keyboard (models CTO) | 41A5219     | 1               | Y            |
| Wireless Mouse (models CTO)    | 41A5247     | 1               | Y            |
| Transceiver (USB) (models CTO) | 41A5246     | 1               | Y            |

| 8810 Adapters and miscellaneous FRUs   | FRU#    | CRU Tier | RoHS? |
|--|---------|----------|-------|
| 128MB DDR ATI Radeon x300SE (DMS59 connector) (models CTO 95K 95R 96K 96R 97S 97P 97L 97D 97Y 99M 9BK 9BR 9FM 9KK 9KR) | 39J9635 | 1        | Y     |
| PCI-E DVI-DConnection Adapter (Full Height) (models CTO 91G 9GM)   | 39J9334 | 1        | Y     |
| Nvidia GeForce 7300LE 128MB 64bit ATX/LP w/S-Video, no DVI (models CTO)  | 41X2669 | 1        | Y     |
| IEEE 1394 Firewire Adapter - full height (models CTO)  | 41D2781 | 1        | Y     |
| Speakers, (2-piece) (Lenovo logo) (models CTO)   | 41A5331 | 1        | Y     |
| Speakers, Lenovo Branded (models CTO)  | 41A5334 | 1        | Y     |
| Speaker Power brick - US, Canada, LA low voltage, ASEAN (models CTO)   | 89P8571 | 1        | Y     |
| Speaker Power brick - LA high voltage (non-APU) (models CTO)   | 89P8575 | 1        | Y     |
| Speaker Power brick - China, Thailand (models CTO)   | 89P8581 | 1        | Y     |
| Speaker Power brick - Japan (models CTO)   | 89P8577 | 1        | Y     |
| Speaker Power brick - Brazil (models CTO)  | 89P8583 | 1        | Y     |
| Speaker Power brick - Argentina (models CTO)   | 41A4901 | 1        | Y     |
| Speaker Power brick - ANZ (models CTO)   | 89P8579 | 1        | Y     |
| Speaker Power brick - Korea (models CTO)   | 41A4903 | 1        | Y     |
| Speaker Brick - Hong Kong, EMEA (models CTO)   | 89P8573 | 1        | Y     |
| Speaker Power brick - Taiwan (models CTO)  | 41A4905 | 1        | Y     |
| Speaker Power brick - India, South Africa (models CTO)   | 89P8585 | 1        | Y     |
| Thermal grease syringe (all models)  | 91P8835 | 1        | Y     |
| Nvidia GeForce 7300LE 128MB 64bit ATX/LP w/S-Video, with DMS59 (models CTO)  | 42Y8165 | 1        | Y     |
| ATI X1300LE 256M 64bit LP/ATX with DMS59 (models CTO)  | 42Y8162 | 1        | Y     |
| Dongle DMS Dule DMS-59 to dual VGA cable (models CTO)  | 42Y8181 | 1        | Y     |
| Dongle DMS Dule DMS-59 to single VGA and DVI cable (models CTO)  | 42Y8183 | 1        | Y     |
| Dongle DMS Dule DMS-59 to dual DVI - I cable (models CTO)  | 41X6398 | 1        | Y     |

| 8810 Power Cords  | FRU#    | CRU Tier | RoHS? |
|---|---------|----------|-------|
| Power cord - US (models CTO-U A2S A2L A2D A3S A3L A3D A4S A4L A4D A5S A5L A5D A6S A6L A6D A7S A7L A7D A8S A8L A8D AAS AAL AAD 92S 92L 92D 93U 93F 94U 94F 97S 97L 97D 98U 98F 9AU 9AF 94S 94L 94D 94T D1U D1F D2U D2F D3U D3F 6CS 6DS 6HS 6HL D6S D6L F2S F2L F2D F3F F4F F5S F5L F5D F6F 94A F8U F8F F8S F8L F8D F8A F8T 6JU 6JF 6JS 6JL 6JD 6JA 6JT D7U D7F D7S D7L D7D D7A D7T 6EU 6EF 6ES 6EL 6ED 6EA 6ET 6FU 6FF 9NU 9NF 9NS 9ND 9NL 9NA 9NTE3A E3T H1U H1F H2U H2F) | 39M5080 | 1        | Y     |
| Power cord - China (models CTO-A 94C F8C 6JC D7C 6EC FDC 6LC 9NC)   | 39M5205 | 1        | Y     |
| Power cord - Japan (models CTO-A 94E 94J F8E F8J 6JE 6JJ D7E D7J 6EE 6EJ 9NE 9NJ)   | 39M5193 | 1        | Y     |
| Power cord - Brazil (models CTO-L A2P A3P A4P A5P A6P A7P A8P AAP 92P 97P 94P 6CP 6DP 6HP D6P F2P F5P F8P 6JP D7P 6EP 9NP)  | 39M5232 | 1        | Y     |
| Power cord - LA High Volt (APU) (models CTO-L A2L A2Y A3L A3Y A4L A4Y A5L A5Y A6L A6Y A7L A7Y A8L A8Y AAL AAY 92L 92Y 97L 97Y 94L 94Y 6CY 6DY 6HL 6HY D6L D6Y F2L F2Y F5L F5Y F8L F8Y 6JL 6JY D7L D7Y 6EL 6EY 9NL)  | 39M5067 | 1        | Y     |

| 8810 Power Cords  | FRU#    | CRU Tier | RoHS? |
|---|---------|----------|-------|
| Power cord - Australia/New Zealand (models CTO-A A8M A9M 99M 94M 9CM 9DM 9EM 9FM 9GM 9HM D4M D5M E1M 6GM F8M 6JM D7M 6EM FDM 6NM 9NM D8M H6M H7M)   | 39M5102 | 1        | Y     |
| Power cord - Korea (models CTO-A 95K 95R 96K 96R 9BK 9BR 6BK 9KK 9KR F4K 94K 94R F8K F8R 6JK 6JR D7K D7R 6EK 6ER FCK 6PK 9NK 9NR D9K)   | 39M5212 | 1        | Y     |
| Power cord - Hong Kong (models CTO-A A8B A8H 94B 94H 6AB 6AH F5B F5H F8B F8H 6JB 6JH D7B D7H 6EB 6EH FDB FDH 6LB 6LH 9NB 9NH E4B E4H H3B H3H)   | 39M5151 | 1        | Y     |
| Power cord - UK, Ireland, Singapore, Malaysia, Brunei (models CTO-G CTO-A 91G 94G F7G 94A F8G F8A 6JG 6JA D7G D7A 6EG 6EA 9NG E5G E6G 9NA E3A H5G)  | 39M5150 | 1        | Y     |
| Power cord - Taiwan (models CTO-A 94V F8V 6JV D7V 6EV 9NV)  | 39M5246 | 1        | Y     |
| Power cord - Italy/Chile (models CTO-G A2S A2L A2Y A3S A3L A3Y A4S A4L A4Y A5S A5L A5Y A6S A6L A6Y A7S A7L A7Y A8S A8L A8Y AAS AAL AAY 91G 92S 92L 92Y 97S 97L 97Y 94S 94L 94Y 94G 6CS 6CY 6DS 6DY 6HS 6HL 6HY D6S D6L D6Y F2S F2L F2Y F5S F5L F5Y F7G F8S F8L F8Y F8G 6JS 6JL 6JY 6JG D7S D7L D7Y D7G 6ES 6EL 6EY 6EG 9NS 9NY 9NL 9NG E5G E6G H5G) | 39M5164 | 1        | Y     |
| Power cord - G models (models CTO-A 94A F8A 6JA D7A 6EA 9NA E3A)  | 39M5122 | 1        | Y     |
| Power cord - Denmark (models CTO-G 91G 94G F7G F8G 6JG D7G 6EG 9NG E5G E6G H5G)   | 39M5129 | 1        | Y     |
| Power cord - Switzerland (models CTO-G 91G 94G F7G F8G 6JG D7G 6EG 9NG E5G E6G H5G)   | 39M5157 | 1        | Y     |
| Power cord - Israel (models CTO-G 91G 94G F7G F8G 6JG D7G 6EG 9NG E5G E6G H5G)  | 39M5171 | 1        | Y     |
| Power cord - South Africa (models CTO-G A8M A9M 91G 99M 94G 94M 9CM 9DM 9EM 9FM 9GM 9HM D4M D5M E1M 6GM F7G 94A F8G F8M F8A 6JG 6JM 6JA D7G D7M D7A 6EG 6EM 6EA 9NG E5G E6G FDM 6NM 9NM D8M 9NA E3A H6M H7M H5G)  | 39M5143 | 1        | Y     |
| Power cord - India (models CTO-A 94Q F1Q F2Q F8Q 6JQ D7Q 6EQ 9NQ H4Q)   | 39M5004 | 1        | Y     |

| 8810 Windows XP Home Recovery CDs    | FRU#    | CRU Tier | RoHS? |
|--------------------------------------|---------|----------|-------|
| US/UK/AP/TH (models A9M 96R 9BR 9DM) | 42Y3242 | 1        | Y     |
| Korean (models 96K 9BK 6BK)          | 42T8651 | 1        | Y     |

| 8810 Windows XP Pro Recovery CDs   | FRU#    | CRU Tier | RoHS? |
|--|---------|----------|-------|
| US/UK/AP/TH (models A3L A4L A5L A6L A7L A8L A8M AAL 91G 92L 93U 94U 95R 97L 98U 99M 9AU A8H 94L 94G 94M 94A 94Q 94T 94H 94R 94E 9CM 9EM 9FM 9GM 9HM D1U D2U D3U D4M D5M E1M 6AH 6GM 6HL 9KR D6L 6EU 6EL 6EG 6EM 6EA 6EQ 6ET 6EH 6ER 6EE 6FU F1Q F2L F2Q F5L F5H F7G F8U F8L F8G F8M F8A F8Q F8T F8H F8R F8E 6JU 6JL 6JG 6JM 6JA 6JQ 6JT 6JH 6JR 6JE D7U D7L D7G D7M D7A D7Q D7T D7H D7R D7E H6M H2U 9NU 9NG E5G E6G FDM 6NM 9NM D8M 9NA E3A 9NQ FDH 6LH 9NH E4H 9NR 9NE FDH 6LH 9NH E4H H3H H7M H5G H1U H1F H4Q) | 42Y3236 | 1        | Y     |
| RE (models 91G 94G 6EG F7G F8G 6JG D7G 9NF 9NG E5G E6G H5G)  | 42Y5464 | 1        | Y     |
| FR/CF (models 91G 93F 94F 98F 9AF 94G D1F D2F D3F 6EF 6EG 6FF F3F F4F F6F F7G F8F F8G 6JF 6JG D7F D7G H2F 9NF 9NG E5G E6G H5G H1F H2F)   | 42Y4449 | 1        | Y     |

| <b>8810 Windows XP Pro Recovery CDs</b>  | <b>FRU#</b> | <b>CRU Tier</b> | <b>RoHS?</b> |
|--|-------------|-----------------|--------------|
| GR (models 91G 94G 6EG F7G F8G 6JG D7G 9NF 9NG E5G E6G H5G)  | 42Y4450     | 1               | Y            |
| SP/LA (models A3S A3D A3Y A4S A4D A4Y A5S A5D A5Y A6S A6D A6Y A7S A7D A7Y A8S A8D A8Y AAS AAD AAY 91G 92S 92D 92Y 97S 97D 97Y 94S 94D 94Y 94G 6CS 6CY 6DS 6DY 6HS 6HY D6S D6Y 6ES 6ED 6EY 6EG F2S F2D F2Y F5S F5D F5Y F7G F8S F8D F8Y F8G 6JS 6JD 6JY 6JG D7S D7D D7Y D7G 9NS 9ND 9NY 9NG E5G E6G) | 42Y4451     | 1               | Y            |
| IT (models 91G 94G 6EG F7G F8G 6JG D7G 9NF 9NG E5G E6G H5G)  | 42Y4452     | 1               | Y            |
| BR (models 9NP)  | 42Y4453     | 1               | Y            |
| SV (models 91G 94G 6EG F7G F8G 6JG D7G)  | 42Y4454     | 1               | Y            |
| DK (models 91G 94G 6EG F7G F8G 6JG D7G)  | 42Y4455     | 1               | Y            |
| FI (models 91G 94G 6EG F7G F8G 6JG D7G)  | 42Y5465     | 1               | Y            |
| NO (models 91G 94G 6EG F7G F8G 6JG D7G)  | 42Y5466     | 1               | Y            |
| NL (models 91G 94G 6EG F7G F8G 6JG D7G)  | 42Y5467     | 1               | Y            |
| Korea (models 95K 94K 9KK 6EK F4K F8K 6JK D7K 6PK 9NK)   | 42T8621     | 1               | Y            |
| Simplified Chinese (models 94C 6EC F8C 6JC D7C)  | 42T8627     | 1               | Y            |
| Taiwan - TC (models 94V 6EV F8V 6JV D7V 9NV)   | 42T8633     | 1               | Y            |
| Hong Kong - TC (models A8B 94B 6AB 6EB F5B F8B 6JB D7B FDB 6LB 9NB E4B)  | 42T8639     | 1               | Y            |
| Japanese (models 94J 6EJ F8J 6JJ D7J 9NJ)  | 42T8645     | 1               | Y            |
| HE (models 91G 94G 6EG F7G F8G 6JG D7G)  | 42Y5468     | 1               | Y            |
| PL (models 91G 94G 6EG F7G F8G 6JG D7G)  | 42Y5469     | 1               | Y            |
| CZ (models 91G 94G 6EG F7G F8G 6JG D7G)  | 42Y5470     | 1               | Y            |
| AE (models 91G 94G 6EG F7G F8G 6JG D7G)  | 42Y5471     | 1               | Y            |
| RU (models 91G 94G 6EG F7G F8G 6JG D7G)  | 42Y5472     | 1               | Y            |
| TR (models 91G 94G 6EG F7G F8G 6JG D7G)  | 42Y5473     | 1               | Y            |
| HU (models 91G 94G 6EG F7G F8G 6JG D7G)  | 42Y5474     | 1               | Y            |
| PO (models 91G 94G 6EG F7G F8G 6JG D7G)  | 42Y5475     | 1               | Y            |
| GK (models 91G 94G 6EG F7G F8G 6JG D7G)  | 42Y5476     | 1               | Y            |
| SL (models 91G 94G 6EG F7G F8G 6JG D7G)  | 42Y5477     | 1               | Y            |
| Multilingual 1 -- EN, NL, FR, GR, IT (models 91G 94G 6EG F7G F8G 6JG D7G)  | 42Y4533     | 1               | Y            |
| Multilingual 2 -- EN, DK, FI, NO, SV (models 91G 94G 6EG F7G F8G 6JG D7G)  | 42Y5626     | 1               | Y            |

| <b>8810 Vista Home Basic 32 Recovery DVDs</b> | <b>FRU#</b> | <b>CRU Tier</b> |
|---|-------------|-----------------|
| US/UK/AP/TH (models)                          | 43C1440     | 1               |
| FR/CF (models)                                | 43C1441     | 1               |
| GR (models)                                   | 43C1442     | 1               |
| SP/LA (models)                                | 43C1443     | 1               |
| BR (models)                                   | 43C1444     | 1               |
| IT (models)                                   | 43C1445     | 1               |
| JP (models)                                   | 43C1446     | 1               |
| NO (models)                                   | 43C1447     | 1               |
| SV (models)                                   | 43C1448     | 1               |

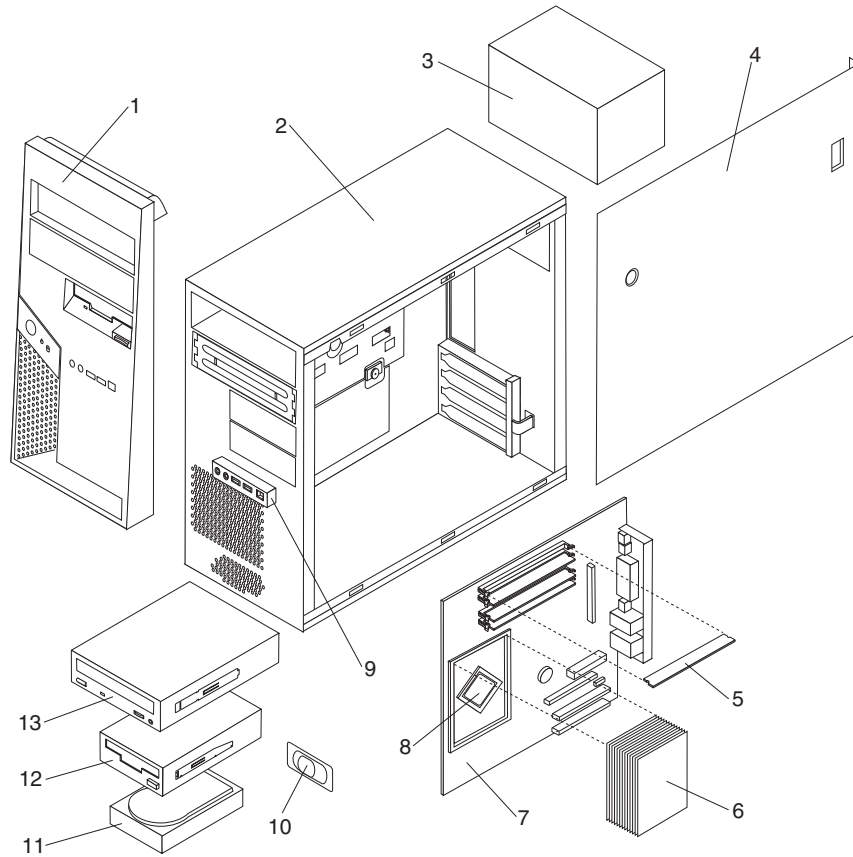
| 8810 Vista Home Basic 32 Recovery DVDs | FRU#    | CRU Tier |
|--|---------|----------|
| DK (models)                            | 43C1449 | 1        |
| NL (models)                            | 43C1450 | 1        |
| CZ (models)                            | 43C1451 | 1        |
| FI (models)                            | 43C1452 | 1        |
| PL (models)                            | 43C1453 | 1        |
| RU (models)                            | 43C1454 | 1        |
| TR (models)                            | 43C1455 | 1        |
| HU (models)                            | 43C1456 | 1        |
| GK (models)                            | 43C1457 | 1        |
| PO (models)                            | 43C1458 | 1        |
| CS (models)                            | 43C1459 | 1        |
| TW (models)                            | 43C1460 | 1        |
| HK (models)                            | 43C1461 | 1        |
| KR (models FCK D9K)                    | 43C1462 | 1        |
| SL (models)                            | 43C1463 | 1        |
| RE (models)                            | 43C1464 | 1        |

| 8810 Vista Business 32 Recovery DVDs   | FRU#    | CRU Tier |
|--|---------|----------|
| US/UK/AP/TH (models 9NU 9NG E5G E6G FDM 6NM 9NM D8M 9NA E3A 9NQ FDH 6LH 9NH E4H 9NR 9NE FDH 6LH 9NH E4H H3H H7M H5G H1U H1F H4Q) | 43C1390 | 1        |
| FR/CF (models 9NF 9NG E5G E6G H5G H1F H2F)   | 43C1391 | 1        |
| GR (models 9NG E5G E6G H5G)  | 43C1392 | 1        |
| SP/LA (models 9NS 9ND 9NY 9NG E5G E6G H5G)   | 43C1393 | 1        |
| BR (models 9NP )   | 43C1394 | 1        |
| IT (models 9NG E5G E6G H5G)  | 43C1395 | 1        |
| JP (models 9NJ )   | 43C1396 | 1        |
| NO (models 9NG E5G E6G H5G)  | 43C1397 | 1        |
| SV (models 9NG E5G E6G H5G)  | 43C1398 | 1        |
| DK (models 9NG E5G E6G H5G)  | 43C1399 | 1        |
| NL (models 9NG E5G E6G H5G)  | 43C1400 | 1        |
| CZ (models 9NG E5G E6G H5G)  | 43C1401 | 1        |
| FI (models 9NG E5G E6G H5G)  | 43C1402 | 1        |
| PL (models 9NG E5G E6G H5G)  | 43C1403 | 1        |
| RU (models 9NG E5G E6G H5G)  | 43C1404 | 1        |
| TR (models 9NG E5G E6G H5G)  | 43C1405 | 1        |
| HU (models 9NG E5G E6G H5G)  | 43C1406 | 1        |
| GK (models 9NG E5G E6G H5G)  | 43C1407 | 1        |
| PO (models 9NG E5G E6G H5G)  | 43C1408 | 1        |
| CS (models FDC 6LC 9NC )   | 43C1409 | 1        |
| TW (models 9NV)  | 43C1410 | 1        |
| HK (models FDB 6LB 9NB E4B H3B)  | 43C1411 | 1        |



| 8810 Vista Business 32 Recovery DVDs | FRU#    | CRU Tier |
|--------------------------------------|---------|----------|
| KR (models 6PK 9NK)                  | 43C1412 | 1        |
| SL (models 9NG E5G E6G H5G)          | 43C1413 | 1        |
| RE (models 9NG E5G E6G H5G)          | 43C1414 | 1        |

## Machine Type 8811



| Item # | 8811 FRUs                | FRU#    | CRU Tier | RoHS? |
|--------|--------------------------|---------|----------|-------|
| 1      | Bezel Asm (all models)   | 41A7857 | 1        | Y     |
| 2      | Chassis Asm (all models) | 41A7863 | N        | Y     |

| Item # | 8811 FRUs  | FRU#    | CRU Tier | RoHS? |
|--------|--|---------|----------|-------|
| 3      | Power supply, 310 W, standard (models DEU DEF DEG DEM DEA DET DEK DER ECU ECF ECG ECM ECA ECT ECK ECR 6CU 6CF 6CG 6CM 6CA 6CT 6CK 6CR 95U 95F 9UU 9UF D7U D7F D8U D8F E4U E4F F4F B2U B2F B2G B2M B2A B2T B2K B2R B3U B3F B3G B3M B3A B3T B3K B3R C3U CTO 91G 92G 96U 96F 97K 97R 98K 98R 99K 99R 9EU 9EF 9FM 96G 96M 96T 9JM 9KM 9LM 9MM 9NM 9PM 9QM D1U D1F D2U D2F D3M D4M E1M E2M 9SU 9SF 9SG 9SM 9ST 9TU 9TF 9VM 9WM D6U D6F E3U E3F 6MA 6MT 6RK 6KK 6EK 6FK 6AK 6AR 6BK 6BR H1A H1T D8K D8R E5K E5R B1K B1R 96K 96R FBF FCM FHU FHF FHG FHM FHA FHT FHK FHR 6GU 6GF 6GG 6GM 6GA 6GT 6GK 6GR 6HU 6HF 6HM 9SK 9SR 6SU 6TU B5U FMU B5F FMF B5S FMS B5P FMP B5L FML B5D FMD B5Y FMY B5G B7G EGG EHG EPG FMG B5M FMM B5A EJA ENA FMA B5T EJT ENT FMT B5K FMK B5R FMR GFU GGU GHU GJU G4M G5G G6G G7G GAU GAF GBU GBF GKM GKA GLM GLA GMA GNT GQU GQF GQ S GQP GQL GQD GQY GQG GQM GQA GQK GQR)  | 41N3449 | 2        | Y     |
| 3      | Power supply, 310 W, China (models 96V FHS FHP FHL FHD FHY FHQ FHC FHB FHH FHV 6GS 6GP 6GL 6GD 6GY 6GQ 6GC 6GB 6GH 6GV 9SV DES DEP DEL DED DEY DEQ DEC DEB DEH DEV ECS ECP ECL ECD ECY ECQ ECC ECB ECH ECV B2S B2P B2L B2D B2Y B2Q B2C B2B B2H B2V B3S B3P B3L B3D B3Y B3Q B3C B3B B3H B3V AKB AKH 91B 91H 96S 96P 96L 96D 96Y 96Q 96C 96B 96H 9RS 9RP 9RL 9RD 9RY 9SS 9SP 9SL 9SD 9SY 9SQ 9SC 9SB 9SH D5S D5P D5L D5D D5Y E5S E5P E5L E5D E5Y 6MQ 6PS 6PY 6QS 6QY 6AS 6AY 6BS 6BY 6DC 6DB 6DH 93Q 94Q 9LS 9LY DBS DBY DCS DCY DDS DDL DDY EAS EAY EBS EBY H1Q F2S F2P F2L F2D F2Y F2 D9S D9Y DAS DAY E6S E6Y E7S E7Y AJV F1S F1Y F3S F3P F3L F3D F3Y F3Q F3C F4B F4H F6C F8S F8P F8L F8D F8Y F9C FAC 6CU 6CF 6CS 6CP 6CL 6CD 6CY 6CG 6CM 6CA 6CQ 6CT 6CC 6CB 6CH 6CV 6CK 6CR 6CE 6CJ 95U 95F CTO-A A2S A2P A2L A2D A2Y A3S A3P A3L A3D A3Y A4S A4P A4L A4D A4Y A5V A7S A7P A7L A7D A7Y A8S A8P A8L A8D A8Y ABS ABP ABL ABD ABY ACS ACP ACL ACD ACY ADS ADP ADL ADD ADY AES AEP AEL AED AEY AFS AFP AFL AFD AFY AGS AGP AGL AGD AGY AHV AKS AKP AKL AKD AKY ALS ALP ALL ALD ALY AMS AMP AML AMD AMY ANS ANP ANL AND ANY 93S 93P 93L 93D 93Y 94S 94P 94L 94D 94Y 9BS 9BP 9BL 9BD 9BY 9CS 9CP 9CL 9CD 9CY 9DS 9DP 9DL 9UU 9UF D7U D7F D8U D8F E4U E4F B5Q B5C B5B B5H B5V FKC FKB FKH FLC FLB FLH 6SC 6SB 6SH EKC ELB ELH EMC FMQ FMC FMB FMH FNC FNB FNH FMV GEB GEH G8Q G9Q GCC GDC GMQ GNQ GQQ GQC GQB GQH GQV) | 41N3452 | 2        | Y     |
| 3      | Power supply, 310 W, Japan (models CTO-A B5E B5J FME FMJ DEE DEJ ECE ECJ 6CE 6CJ B2E B2J B3E B3J 96E 96J 9SE 9SJ FHE FHJ 6GE 6GJ GQE GQJ)  | 41N3456 | 2        | Y     |
| 4      | Cover (all models)   | 39M0465 | 1        | Y     |
| 5      | Memory - 512MB DDR2 SDRAM NP Memory (PC 4200) (models CTO)   | 30R5121 | 1        | Y     |
| 5      | Memory - 512MB DDR2 SDRAM NP Memory (PC 4200) (models CTO)   | 41X4251 | 1        | Y     |
| 5      | Memory - 1GB DDR2 SDRAM NP Memory (PC 4200) (models CTO)   | 30R5122 | 1        | Y     |
| 5      | Memory - 2GB DDR2 SDRAM NP Memory (PC 4200) (models CTO)   | 30R5123 | 1        | Y     |

| Item # | 8811 FRUs   | FRU#    | CRU Tier | RoHS? |
|--------|---|---------|----------|-------|
| 5      | Memory - 512MB DDR2 SDRAM NP (PC 5300) (models B1K B1R F2S F2P F2L F2D F2Y F2C F3S F3P F3L F3D F3Y F3Q F3C F4B F4H F6C F8S F8P F8L F8D F8Y F9C FAC 96V 96K 96R FBF 9SV 9SK 9SR F4F 9RS 9RP 9RL 9RD 9RY 9SU 9SF 9SS 9SP 9SL 9SD 9SY 9SG 9SM 9SQ 9ST 9SC 9SB 9SH 9SE 9SJ 9TU 9TF 9VM D5S D5P D5L D5D D5Y D6U D6F E3U E3F E5S E5P E5L E5D E5Y 6MA 6MQ 6MT 6PS 6PY 6QS 6QY 6RK 6KK 6AS 6AY 6DC 6DB 6DH 93Q 94Q 9LS 9LY 6AK 6AR 6BK 6BR DBS DBY DCS DCY EAS EAY EBS EBY H1A H1Q H1T D8K D8R D9S D9Y E5K E5R E6S E6Y E7S E7Y 6CU 6CF 6CS 6CP 6CL 6CD 6CY 6CG 6CM 6CA 6CQ 6CT 6CC 6CB 6CH 6CV 6CK 6CR 6CE 6CJ 95U 95F 9UU 9UF D7U D7F D8U D8F E4U E4F CTO ABS ABP ABL ABD ABY ACS ACP ACL ACD ACY ADS ADP ADL ADD ADY AES AEP AEL AED AEY AKS AKP AKL AKD AKY ALS ALP ALL ALD ALY AMS AMP AML AMD AMY ANS ANP ANL AND ANY 9EU 9EF 9FM AKB AKH 96S 96P 96L 96D 96Y 96G 96M 96Q 96T 96C 96B 96H 96E 96J 9JM 9KM 9LM 9MM 9NM 9PM 9QM D1U D1F D2U D2F D3M D4M FKC FKB FKH FLC FLB FLH 6SC 6SB 6SH 6SU 6TU B5U B5F B5S B5P B5L B5D B5Y B5G B5M B5A B5Q B5T B5C B5B B5H B5V B5K B5R B5E B5J B7G EGG EHG EJA EJT EKC ELB ELH EMC ENA ENT EPG FMU FMF FMS FMP FML FMD FMY FMG FMM FMR FMQ FMT FMC FMB FMH FMV FMK FMP FME FMJ FNC FNB FNH G9Q GCC GDC GMA GMQ GNQ GPT) | 30R5125 | 1        | Y     |
| 5      | Memory - 1GB DDR2 SDRAM NP (PC 5300) (models ECU ECF ECS ECP ECL ECD ECY ECG ECM ECA ECQ ECT ECC ECB ECH ECV ECK ECR ECE ECJ B2U B2F B2S B2P B2L B2D B2Y B2G B2M B2A B2Q B2T B2C B2B B2H B2V B2K B2R B2E B2J B3U B3F B3S B3P B3L B3D B3Y B3G B3M B3A B3Q B3T B3C B3B B3H B3V B3K B3R B3E B3J FJU FJF FJS FJP FJL FJD FJY FJG FJM FJA FJQ FJT FJC FJB FJH FJV FJK FJR FJE FJJ CTO 91G 92G 9EU 9EF 9FM E1M E2M 9WM 6BS 6BY 6EK 6FK DDS DDL DDY DAS DAY FCM FHU FHF FHS FHP FHL FHD FHY FHG FHM FHA FHQ FHT FHC FHB FHH FHV FHK FHR FHE FHJ 6GU 6GF 6GS 6GP 6GL 6GD 6GY 6GG 6GM 6GA 6GQ 6GT 6GC 6GB 6GH 6GV 6GK 6GR 6GE 6GJ 6HU 6HF 6HM DEU DEF DES DEP DEL DED DEY DEG DEM DEA DEQ DET DEC DEB DEH DEV DEK DER DEE DEJ GFU GGU GHU GJU GEB GEH G4M G5G G6G G7G GAU GAF GBU GBF G8Q GKM GKA GLM GLA GQU GQF GQS GQP GQL GQD GQY GQG GQM GQA GQT GQC GQB GQH GQV GQK GQR GQE GQJ GQQ)   | 41X4252 | 1        | Y     |
| 5      | Memory - 1GB DDR2 SDRAM NP (PC 5300) (models ECU ECF ECS ECP ECL ECD ECY ECG ECM ECA ECQ ECT ECC ECB ECH ECV ECK ECR ECE ECJ B2U B2F B2S B2P B2L B2D B2Y B2G B2M B2A B2Q B2T B2C B2B B2H B2V B2K B2R B2E B2J B3U B3F B3S B3P B3L B3D B3Y B3G B3M B3A B3Q B3T B3C B3B B3H B3V B3K B3R B3E B3J FJU FJF FJS FJP FJL FJD FJY FJG FJM FJA FJQ FJT FJC FJB FJH FJV FJK FJR FJE FJJ CTO 91G 92G 9EU 9EF 9FM E1M E2M 9WM 6BS 6BY 6EK 6FK DDS DDL DDY DAS DAY FCM FHU FHF FHS FHP FHL FHD FHY FHG FHM FHA FHQ FHT FHC FHB FHH FHV FHK FHR FHE FHJ 6GU 6GF 6GS 6GP 6GL 6GD 6GY 6GG 6GM 6GA 6GQ 6GT 6GC 6GB 6GH 6GV 6GK 6GR 6GE 6GJ 6HU 6HF 6HM DEU DEF DES DEP DEL DED DEY DEG DEM DEA DEQ DET DEC DEB DEH DEV DEK DER DEE DEJ GFU GGU GHU GJU GEB GEH G4M G5G G6G G7G GAU GAF GBU GBF G8Q GKM GKA GLM GLA GQU GQF GQ S GQP GQL GQD GQY GQG GQM GQA GQT GQC GQB GQH GQV GQK GQR GQE GQJ GQQ)  | 30R5126 | 1        | Y     |
| 5      | Memory - 2GB DDR2 SDRAM NP (PC 5300) (models CTO)   | 30R5127 | 1        | Y     |
| 5      | Memory - 512MB DDR2 SDRAM NP (PC 6400) (models CTO)   | 41X1079 | 1        | Y     |
| 5      | Memory - 1GB DDR2 SDRAM NP (PC 6400) (models CTO)   | 41X1080 | 1        | Y     |
| 5      | Memory - 2GB DDR2 SDRAM NP (PC 6400) (models CTO)   | 41X1081 | 1        | Y     |

| Item # | 8811 FRUs   | FRU#    | CRU Tier | RoHS? |
|--------|---|---------|----------|-------|
| 6      | Heat sink, aluminum (all models)  | 41A7855 | 2        | Y     |
| 7      | System board (G), (models AJV B1K B1R F2S F2P F2L F2D F2Y F2C F3S F3P F3L F3D F3Y F3Q F3C F4B F4H F6C F8S F8P F8L F8D F8Y F9C FAC 96V 96K 96R FBF FCM FHU FHF FHS FHP FHL FHD FHY FHG FHM FHA FHQ FHT FHC FHB FHH FHV FHK FHR FHE FHJ 6GU 6GF 6GS 6GP 6GL 6GD 6GY 6GG 6GM 6GA 6GQ 6GT 6GC 6GB 6GH 6GV 6GK 6GR 6GE 6GJ 6HU 6HF 6HM F4F B2U B2F B2S B2P B2L B2D B2Y B2G B2M B2A B2Q B2T B2C B2B B2H B2V B2K B2R B2E B2J C3U 98K 98R 99K 99R 9BS 9BP 9BL 9BD 9BY 9CS 9CP 9CL 9CD 9CY 9DS 9DP 9DL 9DD 9DY 9EU 9EF 9FM AKB AKH 91B 91H 96S 96P 96L 96D 96Y 96G 96M 96Q 96T 96C 96B 96H 96E 96J 9JM 9KM 9LM 9MM 9NM 9PM 9QM D1U D1F D2U D2F D3M D4M E1M E2M 6MA 6MQ 6MT 6PS 6PY 6QS 6QY 6RK 6KK 6AS 6AY 6BS 6BY 6DC 6DB 6DH 6EK 6FK 93Q 94Q 9LS 9LY 6AK 6AR 6BK 6BR DBS DBY DCS DCY DDS DDL DDY EAS EAY EBS EBY 6CU 6CF 6CS 6CP 6CL 6CD 6CY 6CG 6CM 6CA 6CQ 6CT 6CC 6CB 6CH 6CV 6CK 6CR 6CE 6CJ 95U 95F CTO A2S A2P A2L A2D A2Y A3S A3P A3L A3D A3Y A4S A4P A4L A4D A4Y A5V A7S A7P A7L A7D A7Y A8S A8P A8L A8D A8Y ABS ABP ABL ABD ABY ACS ACP ACL ACD ACY ADS ADP ADL ADD ADY AES AEP AEL AED AEY AFS AFP AFL AFD AFY AGS AGP AGL AGD AGY AHV AKS AKP AKL AKD AKY ALS ALP ALL ALD ALY AMS AMP AML AMD AMY ANS ANP ANL AND ANY 91G 92G 93S 93P 93L 93D 93Y 94S 94P 94L 94D 94Y 96U 96F 97K 97R 9UU 9UF D7U D7F D8U D8F E4U E4F FKC FKB FKH FLC FLB FLH 6SC 6SB 6SH 6SU 6TU B5U B5F B5S B5P B5L B5D B5Y B5G B5M B5A B5Q B5T B5C B5B B5H B5V B5K B5R B5E B5J B7G EGG EHG EJA EJT EKC ELB ELH EMC ENA ENT EPG FMU FMF FMS FMP FML FMD FMY FMG FMM FMR FMQ FMT FMC FMB FMH FMV FMK FMP FME FMJ FNC FNB FNH GEB GEH G4M G5G G6G G7G GAU GAF GBU GBF G8Q G9Q GCC GDC GKM GKA GLM GLA GMA GMQ GNQ GPT GQU GQF GQ S GQP GQL GQD GQY GQG GQM GQA GQT GQC GQB GQH GQV GQK GQR GQE GQJ GQQ) | 43C7178 | N        | Y     |
| 7      | System board (AMT), (models CTO 9RS 9RP 9RL 9RD 9RY 9SU 9SF 9SS 9SP 9SL 9SD 9SY 9SG 9SM 9SQ 9ST 9SC 9SB 9SH 9SE 9SJ 9TU 9TF 9VM 9WM D5S D5P D5L D5D D5Y D6U D6F E3U E3F E5S E5P E5L E5D E5Y H1A H1Q H1T D8K D8R D9S D9Y DAS DAY E5K E5R E6S E6Y E7S E7Y 9SV 9SK 9SR DEU DEF DES DEP DEL DED DEY DEG DEM DEA DEQ DET DEC DEB DEH DEV DEK DER DEE DEJ ECU ECF ECS ECP ECL ECD ECY ECG ECM ECA ECQ ECT ECC ECB ECH ECV ECK ECR ECE ECJ 9UU 9UF D7U D7F D8U D8F E4U E4 B3U B3F B3S B3P B3L B3D B3Y B3G B3M B3A B3Q B3T B3C B3B B3H B3V B3K B3R B3E B3J FKC FKB FKH FLC FLB FLH 6SC 6SB 6SH 6SU 6TU B5U B5F B5S B5P B5L B5D B5Y B5G B5M B5A B5Q B5T B5C B5B B5H B5V B5K B5R B5E B5J B7G EGG EHG EJA EJT EKC ELB ELH EMC ENA ENT EPG FMU FMF FMS FMP FML FMD FMY FMG FMM FMR FMQ FMT FMC FMB FMH FMV FMK FMP FME FMJ FNC FNB FNH GFU GGU GHU GJU GKM GKA GLM GLA GMA GMQ GNQ GPT GQU GQF GQ S GQP GQL GQD GQY GQG GQM GQA GQT GQC GQB GQH GQV GQK GQR GQE GQJ GQQ)  | 43C7179 | N        | Y     |
| 8      | Microprocessor, Pentium 4 3.06 GHz 533 FSB 1MB L2 (models CTO)  | 41T4104 | N        | Y     |
| 8      | Microprocessor, Pentium 4 3.0 GHz 800 FSB 1MB L2 (models CTO 6MA 6MQ 6MT H1A H1Q H1T)   | 41T1701 | N        | Y     |
| 8      | Microprocessor, Pentium 4 3.2 GHz 800 FSB 1MB L2 (models CTO)   | 41T1702 | N        | Y     |
| 8      | Microprocessor, Pentium 4 3.0 GHz 800 FSB 2MB L2 (models CTO)   | 41T1712 | N        | Y     |
| 8      | Microprocessor, Pentium 4 3.2 GHz 800 FSB 2MB L2 (models CTO)   | 41T1713 | N        | Y     |
| 8      | Microprocessor, Pentium 4 3.4 GHz 800 FSB 2MB L2 (models CTO)   | 41T1714 | N        | Y     |

| Item # | 8811 FRUs   | FRU#    | CRU Tier | RoHS? |
|--------|---|---------|----------|-------|
| 8      | Microprocessor, Pentium 4 3.6 GHz 800 FSB 2MB L2 (models CTO)   | 41T1715 | N        | Y     |
| 8      | Microprocessor, Pentium D 2.8 GHz 800 FSB 2Mx1 L2 (models CTO 6PS 6PY 6QS 6QY 6RK)  | 41T1704 | N        | Y     |
| 8      | Microprocessor, Pentium D 2.8 GHz 800 FSB 2Mx2 L2 (models CTO 6KK EGG)  | 41X7775 | N        | Y     |
| 8      | Microprocessor, Pentium D 3.0 GHz 800 FSB 2Mx2 L2 (models CTO F2S F2P F2L F2D F2Y F2C F3S F3P F3L F3D F3Y F3Q F3C F4B F4H F6C F8S F8P F8L F8D F8Y F9C FAC FBF FCM FHU FHF FHS FHP FHL FHD FHY FHG FHM FHA FHQ FHT FHC FHB FHH FHV FHK FHR FHE FHJ F4F C4U FKC FKB FKH FLC FLB FLH)  | 41X2413 | N        | Y     |
| 8      | Microprocessor, Pentium D 3.0 GHz 800 FSB 2Mx2 L2 (models CTO)  | 41T1717 | N        | Y     |
| 8      | Microprocessor, Pentium D 3.2 GHz 800 FSB 2Mx2 L2 (models CTO EHG EJA EJT EKC)  | 41X8050 | N        | Y     |
| 8      | Microprocessor, Pentium D 3.4 GHz 800 FSB 2Mx2 L2 (models CTO 6AS 6AY 6BS 6BY 6DC 6DB 6DH 6EK 6FK 6GU 6GF 6GS 6GP 6GL 6GD 6GY 6GG 6GM 6GA 6GQ 6GT 6GC 6GB 6GH 6GV 6GK 6GR 6GE 6GJ 6HU 6HF 6HM 6CU 6CF 6CS 6CP 6CL 6CD 6CY 6CG 6CM 6CA 6CQ 6CT 6CC 6CB 6CH 6CV 6CK 6CR 6CE 6CJ C5U 6SU 6SC 6SB 6SH 6TU)  | 41X7776 | N        | Y     |
| 8      | Microprocessor, Pentium E2140 800/1600MHZ-1M, LGA, EM64T (models CTO G4M G6G GAU GAF GBU GBF G9Q GCC GQU GQF GQ S GQP GQL GQD GQY GQG GQM GQA GQT GQC GQB GQH GQV GQK GQR GQE GQJ GQQ)  | 43C1967 | N        | Y     |
| 8      | Microprocessor, Pentium E2160 800/1800MHZ-1M, LGA, EM64T (models CTO GEB GEH G7G G8Q GDC GKM GKA GPT)   | 43C1968 | N        | Y     |
| 8      | Microprocessor, Pentium CONROE-L E2180 2.0GHz 800MHz FSB, 1M, EM64T (models)  | 45C1773 | N        | Y     |
| 8      | Microprocessor, Pentium CONROE-L E2220 2.4GHz 800MHz FSB, 1M, EM64T (models)  | 45C1774 | N        | Y     |
| 8      | Microprocessor, Core 2 Duo E4500 Processor 2.2GHz 800MHz FSB 2M (models)  | 43C6305 | N        | Y     |
| 8      | Microprocessor, Conroe E6300 Processor 1.86GHz 1066MHz FSB 2M L2 (models 95U 95F 9UU 9UF B2U B2F B2S B2P B2L B2D B2Y B2G B2M B2A B2Q B2T B2C B2B B2H B2V B2K B2R B2E B2J B3U B3F B3S B3P B3L B3D B3Y B3G B3M B3A B3Q B3T B3C B3B B3H B3V B3K B3R B3E B3J C3U FJU FJF FJS FJP FJL FJD FJY FJG FJM FJA FJQ FJT FJC FJB FJH FJV FJK FJR FJE FJJ CTO 91G 92G 93S 93P 93L 93D 93Y 94S 94P 94L 94D 94Y 96U 96F 97K 97R 98K 98R 99K 99R 9BS 9BP 9BL 9BD 9BY 9CS 9CP 9CL 9CD 9CY 9DS 9DP 9DL 9DD 9DY 9EU 9EF 9FM 91B 91H 96S 96P 96L 96D 96Y 96G 96M 96Q 96T 96C 96B 96H 96E 96J 9JM 9KM 9LM 9MM 9NM 9PM 9QM 9RS 9RP 9RL 9RD 9RY 9SU 9SF 9SS 9SP 9SL 9SD 9SY 9SG 9SM 9SQ 9ST 9SC 9SB 9SH 9SE 9SJ 9TU 9TF 9VM 9WM 93Q 94Q 9LS 9LY 6AK 6AR 6BK 6BR B1K B1R 96V 96K 96R 9SV 9SK 9SR B5U B5F B5S B5P B5L B5D B5Y B5G B5M B5A B5Q B5T B5C B5B B5H B5V B5K B5R B5E B5J B7G FMU FMF FMS FMP FML FMD FMY FMG FMM FMR FMQ FMT FMC FMB FMH FMV FMK FMP FME FMJ) | 41X2495 | N        | Y     |
| 8      | Microprocessor, Core 2 Duo E6320 1.86GHz 1066MHz FSB 4M B2 (models CTO)   | 43C3829 | N        | Y     |

| Item # | 8811 FRUs  | FRU#    | CRU Tier | RoHS? |
|--------|--|---------|----------|-------|
| 8      | Microprocessor, Conroe E6400 Processor 2.13GHz 1066MHz FSB 2M L2 (models CTO D1U D1F D2U D2F D3M D4M D5S D5P D5L D5D D5Y D6U D6F DBS DBY DCS DCY DDS DDL DDY D8K D8R D9S D9Y DAS DAY DEU DEF DES DEP DEL DED DEY DEG DEM DEA DEQ DET DEC DEB DEH DEV DEK DER DEE DEJ D7U D7F D8U D8F)              | 41X2496 | N        | Y     |
| 8      | Microprocessor, Core 2 Duo E6400 Processor 2.13GHz 1066MHz FSB 2M L2 (models CTO)  | 43C3831 | N        | Y     |
| 8      | Microprocessor, Conroe E6600 Processor 2.40GHz 1066MHz FSB 4M L2 (models CTO E1M E1M E3U E3F E5S E5P E5L E5D E5Y EAS EAY EBS EBY E5K E5R E6S E6Y E7S E7Y ECU ECF ECS ECP ECL ECD ECU ECG ECM ECA ECQ ECT ECC ECB ECH ECV ECK ECR ECE ECJ E4U E4F FNC FNB FNH GFU GGU GHU GJU)                      | 41X5743 | N        | Y     |
| 8      | Microprocessor, Conroe E6700 Processor 2.67GHz 1066MHz FSB 4M L2 (models CTO)  | 41X5744 | N        | Y     |
| 8      | Microprocessor, Celeron D 2.66GHz 533MHz FSB 256KB L2 (models CTO)   | 41T1694 | N        | Y     |
| 8      | Microprocessor, Celeron D 2.80GHz 533MHz FSB 256KB L2 (models CTO A2S A2P A2L A2D A2Y A3S A3P A3L A3D A3Y A4S A4P A4L A4D A4Y A5V)   | 41T1695 | N        | Y     |
| 8      | Microprocessor, Celeron D 3.06GHz 533MHz FSB 256KB L2 (models CTO AFS AFP AFL AFD AFY AGS AGP AGL AGD AGY AHV AKS AKP AKL AKD AKY ALS ALP ALL ALD ALY AMS AMP AML AMD AMY ANS ANP ANL AND ANY AKB AKH AJV 6CU 6CF 6CS 6CP 6CL 6CD 6CY 6CG 6CM 6CA 6CQ 6CT 6CC 6CB 6CH 6CV 6CK 6CR 6CE 6CJ 95U 95F) | 41T1697 | N        | Y     |
| 8      | Microprocessor, Celeron D 3.06GHz 533MHz FSB 512KB L2 (models CTO)   | 42Y8530 | N        | Y     |
| 8      | Microprocessor, Celeron D 3.20GHz 533MHz FSB 256KB L2 (models CTO)   | 41T1698 | N        | Y     |
| 8      | Microprocessor, Celeron D 3.20GHz 533MHz FSB 512KB L2 (models CTO)   | 41T4966 | N        | Y     |
| 8      | Microprocessor, Celeron D 3.33GHz 533MHz FSB 512KB L2 (models CTO)   | 41T4968 | N        | Y     |
| 8      | Microprocessor, Celeron 420 800/1600MHZ-512K,LGA,EM64T A1 (models CTO G5G GMA GMQ GNQ)   | 43C3835 | N        | Y     |
| 8      | Microprocessor, Celeron 430 800/1800MHZ-512K,LGA,EM64T A1 (models CTO)   | 43C1964 | N        | Y     |
| 8      | Microprocessor, Celeron 440 800/1800MHZ-512K,LGA,EM64T A1 (models CTO)   | 43C1965 | N        | Y     |
| 8      | Microprocessor, Core 2 Duo E4300 1.8GHz 800MHz FSB 2M L2 (models CTO ELB ELH EMC ENA ENT EPG)  | 42Y8009 | N        | Y     |
| 8      | Microprocessor, Core 2 Duo E4400 2.0GHz 800MHz FSB 2M L2 (models CTO GLM GLA)  | 43C2056 | N        | Y     |
| 9      | Front panel card Asm (all models)  | 41A7864 | 2        | Y     |
| 10     | Speaker Asm, Soldered Terminals (all models)   | 39P5023 | 2        | Y     |

| Item # | 8811 FRUs   | FRU#    | CRU Tier | RoHS? |
|--------|---|---------|----------|-------|
| 11     | Hard disk drive, 80GB, 7200RPM, Serial ATA (models 9SV 9SK 9SR DEU DEF DES DEP DEL DED DEY DEG DEM DEA DEQ DET DEC DEB DEH DEV DEK DER DEE DEJ ECU ECF ECS ECP ECL ECD ECY ECG ECM ECA ECQ ECT ECC ECB ECH ECV ECK ECR ECE ECJ F4F B2U B2F B2S B2P B2L B2D B2Y B2G B2M B2A B2Q B2T B2C B2B B2H B2V B2K B2R B2E B2J B3U B3F B3S B3P B3L B3D B3Y B3G B3M B3A B3Q B3T B3C B3B B3H B3V B3K B3R B3E B3J AJV F2S F2P F2L F2D F2Y F2C F3S F3P F3L F3D F3Y F3Q F3C F4B F4H 96V 96K 96R FBF FCM FHU FHF FHS FHP FHL FHD FHY FHG FHM FHA FHQ FHT FHC FHB FHH FHV FHK FHR FHE FHJ 6GU 6GF 6GS 6GP 6GL 6GD 6GY 6GG 6GM 6GA 6GQ 6GT 6GC 6GB 6GH 6GV 6GK 6GR 6GE 6GJ 6HU 6HF 6HM 96S 96P 96L 96D 96Y 96G 96M 96Q 96T 96C 96B 96H 96E 96J 9JM 9KM 9LM 9MM 9NM 9PM 9QM D1U D1F D2U D2F D3M D4M E1M E2M 9RS 9RP 9RL 9RD 9RY 9SU 9SF 9SS 9SP 9SL 9SD 9SY 9SG 9SM 9SQ 9ST 9SC 9SB 9SH 9SE 9SJ 9TU 9TF 9VM 9WM D5S D5P D5L D5D D5Y D6U D6F E3U E3F 6MA 6MQ 6MT 6PS 6PY 6RK 6AS 6AY 6DC 6DB 6DH 93Q 94Q 9LS 9LY DBS DBY EAS EAY H1A H1Q H1T D8K D8R E6S E6Y 6CU 6CF 6CS 6CP 6CL 6CD 6CY 6CG 6CM 6CA 6CQ 6CT 6CC 6CB 6CH 6CV 6CK 6CR 6CE 6CJ 95U 95F 9UU 9UF D7U D7F D8U D8F E4U E4F CTO A2S A2P A2L A2D A2Y A3S A3P A3L A3D A3Y A4S A4P A4L A4D A4Y A5V A7S A7P A7L A7D A7Y A8S A8P A8L A8D A8Y ABS ABP ABL ABD ABY ACS ACP ACL ACD ACY AFS AFP AFL AFD AFY AGS AGP AGL AGD AGY AHV AKS AKP AKL AKD AKY ALS ALP ALL ALD ALY 93S 93P 93L 93D 93Y 94S 94P 94L 94D 94Y 96U 96F 9EU 9EF AKB AKH FKC FKB FKH FLC FLB FLH 6SC 6SB 6SH 6SU 6TU B5U B5F B5S B5P B5L B5D B5Y B5G B5M B5A B5Q B5T B5C B5B B5H B5V B5K B5R B5E B5J EJA EJT EKC EMC ENA ENT FMU FMF FMS FMP FML FMD FMY FMG FMM FMR FMQ FMT FMC FMB FMH FMV F FKC FKB FKH FLC FLB FLH 6SC 6SB 6SH 6SU 6TU B5U B5F B5S B5P B5L B5D B5Y B5G B5M B5A B5Q B5T B5C B5B B5H B5V B5K B5R B5E B5J EJA EJT EKC EMC ENA ENT FMU FMF FMS FMP FML FMD FMY FMG FMM FMR FMQ FMT FMC FMB FMH FMV FMK FMP FME FMJ FNC FNB FNH GAU GAF GBU GBF G8Q G9Q GCC GDC GMA GMQ GNQ GPT GQU GQF GQS GQP GQL GQD GQY GQG GQM GQA GQQ GQT GQC GQB GQH GQV GQK GQR GQE GQJ) | 40Y9034 | 1        | Y     |

| Item # | 8811 FRUs   | FRU#    | CRU Tier | RoHS? |
|--------|---|---------|----------|-------|
| 11     | Hard disk drive, 80GB, 7200RPM, Serial ATA (models 9SV 9SK 9SR DEU DEF DES DEP DEL DED DEY DEG DEM DEA DEQ DET DEC DEB DEH DEV DEK DER DEE DEJ ECU ECF ECS ECP ECL ECD ECY ECG ECM ECA ECQ ECT ECC ECB ECH ECV ECK ECR ECE ECJ F4F B2U B2F B2S B2P B2L B2D B2Y B2G B2M B2A B2Q B2T B2C B2B B2H B2V B2K B2R B2E B2J B3U B3F B3S B3P B3L B3D B3Y B3G B3M B3A B3Q B3T B3C B3B B3H B3V B3K B3R B3E B3J AJV F2S F2P F2L F2D F2Y F2C F3S F3P F3L F3D F3Y F3Q F3C F4B F4H 96V 96K 96R FBF FCM FHU FHF FHS FHP FHL FHD FHY FHG FHM FHA FHQ FHT FHC FHB FHH FHV FHK FHR FHE FHJ 6GU 6GF 6GS 6GP 6GL 6GD 6GY 6GG 6GM 6GA 6GQ 6GT 6GC 6GB 6GH 6GV 6GK 6GR 6GE 6GJ 6HU 6HF 6HM 96S 96P 96L 96D 96Y 96G 96M 96Q 96T 96C 96B 96H 96E 96J 9JM 9KM 9LM 9MM 9NM 9PM 9QM D1U D1F D2U D2F D3M D4M E1M E2M 9RS 9RP 9RL 9RD 9RY 9SU 9SF 9SS 9SP 9SL 9SD 9SY 9SG 9SM 9SQ 9ST 9SC 9SB 9SH 9SE 9SJ 9TU 9TF 9VM 9WM D5S D5P D5L D5D D5Y D6U D6F E3U E3F 6MA 6MQ 6MT 6PS 6PY 6RK 6AS 6AY 6DC 6DB 6DH 93Q 94Q 9LS 9LY DBS DBY EAS EAY H1A H1Q H1T D8K D8R E6S E6Y 6CU 6CF 6CS 6CP 6CL 6CD 6CY 6CG 6CM 6CA 6CQ 6CT 6CC 6CB 6CH 6CV 6CK 6CR 6CE 6CJ 95U 95F 9UU 9UF D7U D7F D8U D8F E4U E4F CTO A2S A2P A2L A2D A2Y A3S A3P A3L A3D A3Y A4S A4P A4L A4D A4Y A5V A7S A7P A7L A7D A7Y A8S A8P A8L A8D A8Y ABS ABP ABL ABD ABY ACS ACP ACL ACD ACY AFS AFP AFL AFD AFY AGS AGP AGL AGD AGY AHV AKS AKP AKL AKD AKY ALS ALP ALL ALD ALY 93S 93P 93L 93D 93Y 94S 94P 94L 94D 94Y 96U 96F 9EU 9EF AKB AKH FKC FKB FKH FLC FLB FLH 6SC 6SB 6SH 6SU 6TU B5U B5F B5S B5P B5L B5D B5Y B5G B5M B5A B5Q B5T B5C B5B B5H B5V B5K B5R B5E B5J EJA EJT EKC EMC ENA ENT FMU FMF FMS FMP FML FMD FMY FMG FMM FMR FMQ FMT FMC FMB FMH FMV FMK FMP FME FMJ FNC FNB FNH GAU GAF GBU GBF G8Q G9Q GCC GDC GMA GMQ GNQ GPT GQU GQF GQS GQP GQL GQD GQY GQG GQM GQA GQQ GQT GQC GQB GQH GQV GQK GQR GQE GQJ) | 40Y8761 | 1        | Y     |
| 11     | Hard disk drive, 160GB, 7200RPM, Serial ATA (models CTO ADS ADP ADL ADD ADY AES AEP AEL AED AEY 91G 97K 97R 91B 91H E5S E5P E5L E5D E5Y 6QS 6QY 6KK 6BS 6BY 6FK DCS DCY EBS EBY D9S D9Y E5K E5R E7S E7Y F6C F8S F8P F8L F8D F8Y F9C EGG ELB ELH GFU GGU GHU GJU GEB GEH G5G G6G G7G GKM GKA GLM GLA)  | 40Y9035 | 1        | Y     |
| 11     | Hard disk drive, 160GB, 7200RPM, Serial ATA (models CTO ADS ADP ADL ADD ADY AES AEP AEL AED AEY 91G 97K 97R 91B 91H E5S E5P E5L E5D E5Y 6QS 6QY 6KK 6BS 6BY 6FK DCS DCY EBS EBY D9S D9Y E5K E5R E7S E7Y F6C F8S F8P F8L F8D F8Y F9C EGG ELB ELH GFU GGU GHU GJU GEB GEH G5G G6G G7G GKM GKA GLM GLA)  | 40Y8762 | 1        | Y     |
| 11     | Hard disk drive, 250GB, 7200RPM, Serial ATA (models CTO AMS AMP AML AMD AMY ANS ANP ANL AND ANY 92G 98K 98R 99K 99R 9BS 9BP 9BL 9BD 9BY 9CS 9CP 9CL 9CD 9CY 9DS 9DP 9DL 9DD 9DY 6EK 6AK 6AR 6BK 6BR DBS DBY DDS DDL DDY DAS DAY B1K B1R FAC B7G EHG EPG G4M)  | 40Y9036 | 1        | Y     |
| 11     | Hard disk drive, 250GB, 7200RPM, Serial ATA (models CTO AMS AMP AML AMD AMY ANS ANP ANL AND ANY 92G 98K 98R 99K 99R 9BS 9BP 9BL 9BD 9BY 9CS 9CP 9CL 9CD 9CY 9DS 9DP 9DL 9DD 9DY 6EK 6AK 6AR 6BK 6BR DBS DBY DDS DDL DDY DAS DAY B1K B1R FAC B7G EHG EPG G4M)  | 40Y8763 | 1        | Y     |
| 11     | Hard disk drive, 500GB, 7200RPM, Serial ATA (models CTO)  | 41X5582 | 1        | Y     |
| 12     | Diskette drive, 1.44MB, 3-mode, w/o bezel (models CTO A2S A2P A2L A2D A2Y A3S A3P A3L A3D A3Y A4S A4P A4L A4D A4Y A5V A7S A7P A7L A7D A7Y A8S A8P A8L A8D A8Y AHV AJV F9C FAC GPT)  | 40Y9107 | 1        | Y     |



| Item # | 8811 FRUs  | FRU#    | CRU Tier | RoHS? |
|--------|--|---------|----------|-------|
| 12     | Diskette drive, 1.44MB, 3-mode, w/o bezel (models CTO A2S A2P A2L A2D A2Y A3S A3P A3L A3D A3Y A4S A4P A4L A4D A4Y A5V A7S A7P A7L A7D A7Y A8S A8P A8L A8D A8Y AHV AJV F9C FAC GPT)   | 40Y9105 | 1        | Y     |
| 13     | DVD-ROM 16X/48X - Black-NON/VISTA (models CTO A2S A2P A2L A2D A2Y A3S A3P A3L A3D A3Y A4S A4P A4L A4D A4Y A7S A7P A7L A7D A7Y A8S A8P A8L A8D A8Y ABS ABP ABL ABD ABY ACS ACP ACL ACD ACY AFS AFP AFL AFD AFY AGS AGP AGL AGD AGY AKS AKP AKL AKD AKY ALS ALP ALL ALD ALY 93S 93P 93L 93D 93Y 94S 94P 94L 94D 94Y 97K 97R 98K 98R AKB AKH 9QM 9RS 9RP 9RL 9RD 9RY D5S D5P D5L D5D D5Y 6PS 6PY 6AS 6AY 93Q 94Q 6AK 6AR 6BK 6BR DBS DBY EAS EAY E6S E6Y B1K B1R F3S F3P F3L F3D F3Y F3Q F3C 9UU 9UF D7U D7F D8U D8F E4U E4F GKM GKA GMA GMQ GNQ GPT GQU GQF GQS GQP GQL)   | 41N3325 | 1        | Y     |
| 13     | CD-RW/DVD-ROM Combo Drive 48X/32X/48X/16X Max---nonvista/vista (models DEU DEF DES DEP DEL DED DEY DEG DEM DEA DEQ DET DEC DEB DEH DEV DEK DER DEE DEJ 95U 95F 9UU 9UF D7U D7F D8U D8F E4U E4F CTO ADS ADP ADL ADD ADY AES AEP AEL AED AEY AMS AMP AML AMD AMY ANS ANP ANL AND ANY 91G 99K 99R 9EU 9EF 91B 91H 9JM 9KM 9LM 9MM 9TU 9TF E5S E5P E5L E5D E5Y 6QS 6QY 6RK 6KK 6BS 6BY 6DC 6DB 6DH 6EK 6FK 9LS 9LY DCS DCY EBS EBY D8K D8R D9S D9Y E5K E5R E7S E7Y F6C F8S F8P F8L F8D F8Y F9C FBF FHU FHF FHS FHP FHL FHD FHY FHG FHM FHA FHQ FHT FHC FHB FHH FHV FHK FHR FHE FHJ 6HU 6HF 6HM FLC FLB FLH 6TU EGG EJA EJT ENA ENT G5G GAU GAF GBU GBF G9Q ) | 42Y9353 | 1        | Y     |
| 13     | DVD-RW/CD-RW Rambo 7 - SATA (models CTO 92G 9BS 9BP 9BL 9BD 9BY 9CS 9CP 9CL 9CD 9CY 9DS 9DP 9DL 9DD 9DY DDS DDL DDY 6AK 6AR FAC GFU GGU GHU GJU G4M G6G G7G)   | 41N3347 | 1        | Y     |
| 13     | DVD-RW/CD-RW Rambo 7 - SATA (models 9SV 9SK 9SR ECU ECF ECS ECP ECL ECD ECV ECG ECM ECA ECQ ECT ECC ECB ECH ECV ECK ECR ECE ECJ 6CU 6CF 6CS 6CP 6CL 6CD 6CY 6CG 6CM 6CA 6CQ 6CT 6CC 6CB 6CH 6CV 6CK 6CR 6CE 6CJ F4F B2U B2F B2S B2P B2L B2D B2Y B2G B2M B2A B2Q B2T B2C B2B B2H B2V B2K B2R B2E B2J B3U B3F B3S B3P B3L B3D B3Y B3G B3M B3A B3Q B3T B3C B3B B3H B3V B3K B3R B3E B3J GLM GLA)   | 42Y6374 | 1        | Y     |
| 13     | DVD-RW/CD-RW Rambo 7 - SATA (models CTO A5V AHV 96U 96F 9FM 96S 96P 96L 96D 96Y 96G 96M 96Q 96T 96C 96B 96H 96E 96J 9NM 9PM D2U D2F D3M D4M E1M E2M 9SU 9SF 9SS 9SP 9SL 9SD 9SY 9SG 9SM 9SQ 9ST 9SC 9SB 9SH 9SE 9SJ 9VM 9WM D6U D6F E3U E3F 6MA 6MQ 6MT H1A H1Q H1T AJV F4B F4H 96V 96K 96R FCM 6GU 6GF 6GS 6GP 6GL 6GD 6GY 6GG 6GM 6GA 6GQ 6GT 6GC 6GB 6GH 6GV 6GK 6GR 6GE 6GJ GEB GEH G8Q GCC GDC GLM GLA)   | 42Y6373 | 1        | Y     |
| 13     | DVD Recorder Rambo 8 - SATA (models DEU DEF DES DEP DEL DED DEY DEG DEM DEA DEQ DET DEC DEB DEH DEV DEK DER DEE DEJ 95U 95F 9UU 9UF D7U D7F D8U D8F E4U E4F GLM GLA)   | 43C1042 | 1        | Y     |

The FRUs listed in the following table are not illustrated.

| 8811 FRUs                               | FRU#    | CRU Tier | RoHS? |
|---|---------|----------|-------|
| Cable, C2 Switch (all models)           | 39M0458 | 1        | Y     |
| Shield, 5.25 EMC (all models)           | 39M0460 | 1        | Y     |
| Cable, SATA (18-inch RoHs) (all models) | 26K1186 | 1        | Y     |

| 8811 FRUs   | FRU#    | CRU Tier | RoHS? |
|---|---------|----------|-------|
| Hard disk drive mounting bracket (all models)           | 41R6367 | 1        | Y     |
| Cable, serial (all models)                              | 39K5021 | 1        | Y     |
| EMC shield, diskette drive (all models)                 | 39M0464 | 1        | Y     |
| Cable, diskette drive (RoHs) (all models)               | 26K1184 | 1        | Y     |
| Bezel asm, diskette drive, black (all models)           | 41A7806 | 1        | Y     |
| Fan duct Asm (all models)                               | 39M0470 | 1        | Y     |
| Device retaining clips (all models)                     | 39M0473 | 2        | Y     |
| Shield, system board (all models)                       | 41A7865 | N        | Y     |
| Miscellaneous hardware kit (all models)                 | 39M0477 | 1        | Y     |
| Cable, 1394 panel mount (all models)                    | 39M0478 | 1        | Y     |
| RM kit (all models)                                     | 39K5046 | N        | Y     |
| Cable, 2 Drop IDE (models CTO)                          | 39M0516 | 1        | Y     |
| Thermal sense cable (460 mm) (all models)               | 41R2509 | 2        | Y     |
| Miscellaneous screw kit (all models)                    | 41R2477 | 2        | Y     |
| Universal Adapter Bracket 5.25 to 3.5-inch (all models) | 32P4743 | 1        | Y     |

| 8811 Keyboards (USB Preferred - without hub)  | FRU#    | CRU Tier | RoHS? |
|---|---------|----------|-------|
| US English (models 96R FCM FHU FHL FHG FHM FHA FHQ FHC FHH FHR FHE 6GU 6GL 6GG 6GM 6GA 6GQ 6GC 6GH 6GR 6GE 6HU 6HM 9SR DEU DEL DEG DEM DEA DEQ DEC DEH DER DEE ECU ECL ECG ECM ECA ECQ ECC ECH ECR ECE F2L F2C B2U B2L B2G B2M B2A B2Q B2C B2H B2R B2E B3U B3L B3G B3M B3A B3Q B3C B3H B3R B3E A2L A3L A4L A7L A8L ABL ACL ADL AEL AFL AGL AKL ALL AML ANL 91G 92G 93L 94L 96U 97R 98R 99R 9BL 9CL 9DL 9EU 9FM AKH 91H 96L 96G 96M 96Q 96C 96H 96E 9JM 9KM 9LM 9MM 9NM 9PM 9QM D1U D2U D3M D4M E1M E2M 9RL 9SU 9SL 9SG 9SM 9SQ 9SC 9SH 9SE 9TU 9VM 9WM D5L D6U E3U E5L 6MA 6MQ 6DC 6DH 93Q 94Q 6AR 6BR DDL H1A H1Q D8R E5R B1R F3L F3Q F3C F4H F6C F8L F9C FAC 6CU 6CF 6CS 6CP 6CL 6CD 6CY 6CG 6CM 6CA 6CQ 6CT 6CC 6CB 6CH 6CV 6CK 6CR 6CE 6CJ 95U 95F 9UU 9UF D7U D7F D8U D8F E4U E4F 6SU 6TU B5U FMU B5L FML B5G B7G EGG EHG EPG FMG B5M FMM B5A EJA ENA FMA B5Q FMQ FKH FLH 6SH B5H ELH FMH FNH B5R FMR B5E FME GFU GGU GHU GJU GAU GBU G5G G6G G7G G4M G8Q G9Q GEH GKM GKA GLM GLA GMA GMQ GNQ GQU GQG GQM GQA GQQ GQH GQR GQE) | 41A5289 | 1        | Y     |
| Arabic (models 91G 92G 96G 9SG FHG 6GG DEG ECG 6CG B2G B3G B5G B7G EGG EHG EPG FMG G5G G6G G7G GQG)   | 41A5290 | 1        | Y     |
| Arabic/French (models 91G 92G 96G 9SG FHG 6GG DEG ECG 6CG B2G B3G B5G B7G EGG EHG EPG FMG G5G G6G G7G GQG)  | 41A5291 | 1        | Y     |
| Belgian/French (models 91G 92G 96G 9SG FHG 6GG DEG ECG 6CG B2G B3G B5G B7G EGG EHG EPG FMG G5G G6G G7G GQG)   | 41A5292 | 1        | Y     |
| Belgian/UK (models 91G 92G 96G 9SG FHG 6GG DEG ECG 6CG B2G B3G B5G B7G EGG EHG EPG FMG G5G G6G G7G GQG)   | 41A5293 | 1        | Y     |
| Brazilian (models A2P A3P A4P A7P A8P ABP ACP ADP AEP AFP AGP AKP ALP AMP ANP 93P 94P 9BP 9CP 9DP 96P 9RP 9SP D5P E5P F3P F8P FHP 6GP DEP ECP 6CP F2P B2P B3P B5P FMP GQP)  | 41A5294 | 1        | Y     |
| Bulgarian (models 91G 92G 96G 9SG FHG 6GG DEG ECG 6CG B2G B3G B5G B7G EGG EHG EPG FMG G5G G6G G7G GQG)  | 41A5295 | 1        | Y     |

| 8811 Keyboards (USB Preferred - without hub)  | FRU#    | CRU Tier | RoHS? |
|---|---------|----------|-------|
| Chinese/US (models A5V AHV AKB 91B 96B 9SB 6DB AJV F4B 96V FHB FHV 6GB 6GV 9SV DEB DEV ECB ECV 6CB 6CV B2B B2V B3B B3V FKB FLB 6SB B5B B5V ELB FMB FMV FNB GEB GQB GQV)   | 41A5296 | 1        | Y     |
| Czech (models 91G 92G 96G 9SG FHG 6GG DEG ECG 6CG B2G B3G B5G B7G EGG EHG EPG FMG G5G G6G G7G GQG)  | 41A5297 | 1        | Y     |
| Danish (models 91G 92G 96G 9SG FHG 6GG DEG ECG 6CG B2G B3G B5G B7G EGG EHG EPG FMG G5G G6G G7G GQG)   | 41A5298 | 1        | Y     |
| Dutch (models 91G 92G 96G 9SG FHG 6GG DEG ECG 6CG B2G B3G B5G B7G EGG EHG EPG FMG G5G G6G G7G GQG)  | 41A5299 | 1        | Y     |
| French (models 91G 92G 96G 9SG FHG 6GG DEG ECG 6CG B2G B3G B5G B7G EGG EHG EPG FMG G5G G6G G7G GQG)   | 41A5300 | 1        | Y     |
| French Canadian 445 (models 96F 9EF D1F D2F 9SF 9TF D6F E3F FBF FHF 6GF 6HF DEF ECF 6CF 95F 6CF 95F 9UF D7F D8F E4F F4F B2F B3F B5F FMF GAF GBF GQF)  | 41A5301 | 1        | Y     |
| French Canadian 58 (models 96F 9EF D1F D2F 9SF 9TF D6F E3F FBF FHF 6GF 6HF DEF ECF 6CF 95F 6CF 95F 9UF D7F D8F E4F F4F B2F B3F B5F FMF GAF GBF GQF)   | 41A5302 | 1        | Y     |
| German (models 91G 92G 96G 9SG FHG 6GG DEG ECG 6CG B2G B3G B5G B7G EGG EHG EPG FMG G5G G6G G7G GQG)   | 41A5303 | 1        | Y     |
| Greek (models 91G 92G 96G 9SG FHG 6GG DEG ECG 6CG B2G B3G B5G B7G EGG EHG EPG FMG G5G G6G G7G GQG)  | 41A5304 | 1        | Y     |
| Greek/US (models 91G 92G 96G 9SG FHG 6GG DEG ECG 6CG B2G B3G B5G B7G EGG EHG EPG FMG G5G G6G G7G GQG)   | 41A5305 | 1        | Y     |
| Hebrew (models 91G 92G 96G 9SG FHG 6GG DEG ECG 6CG B2G B3G B5G B7G EGG EHG EPG FMG G5G G6G G7G GQG)   | 41A5306 | 1        | Y     |
| Hungarian (models 91G 92G 96G 9SG FHG 6GG DEG ECG 6CG B2G B3G B5G B7G EGG EHG EPG FMG G5G G6G G7G GQG)  | 41A5307 | 1        | Y     |
| Iceland (models 91G 92G 96G 9SG FHG 6GG DEG ECG 6CG B2G B3G B5G B7G EGG EHG EPG FMG G5G G6G G7G GQG)  | 41A5308 | 1        | Y     |
| Italian 141 (models 91G 92G 96G 9SG FHG 6GG DEG ECG 6CG B2G B3G B5G B7G EGG EHG EPG FMG G5G G6G G7G GQG)  | 41A5309 | 1        | Y     |
| Japanese (models 96J 9SJ FHJ 6GJ DEJ ECJ 6CJ B2J B3J B5J FMJ GQJ)   | 41A5310 | 1        | Y     |
| Korean (models 97K 98K 99K 6RK 6KK 6EK 6FK 6AK 6BK D8K E5K B1K 96K FHK 6GK 9SK DEK ECK 6CK B2K B3K B5K FMK GQK)   | 41A5311 | 1        | Y     |
| LA Spanish (models DES DED DEY ECS ECD ECY 6CS 6CD 6CY F2S F2D F2Y B2S B2D B2Y B3S B3D B3Y A2S A2D A2Y A3S A3D A3Y A4S A4D A4Y A7S A7D A7Y A8S A8D A8Y ABS ABD ABY ACS ACD ACY ADS ADD ADY AES AED AEY AFS AFD AFY AGS AGD AGY AKS AKD AKY ALS ALD ALY AMS AMD AMY ANS AND ANY 93S 93D 93Y 94S 94D 94Y 9BS 9BD 9BY 9CS 9CD 9CY 9DS 9DD 9DY 96S 96D 96Y 9RS 9RD 9RY 9SS 9SD 9SY D5S D5D D5Y E5S E5D E5Y 6PS 6PY 6QS 6QY 6AS 6AY 6BS 6BY 9LS 9LY DBS DBY DCS DCY DDS DDY EAS EAY EBS EBY D9S D9Y DAS DAY E6S E6Y E7S E7Y F1S F1Y F3S F3D F3Y F8S F8D F8Y FHS FHD FHY 6GS 6GD 6GY B5S FMS B5D FMD B5Y FMY GQS GQD GQY) | 41A5312 | 1        | Y     |
| Norwegian (models 91G 92G 96G 9SG FHG 6GG DEG ECG 6CG B2G B3G B5G B7G EGG EHG EPG FMG G5G G6G G7G GQG)  | 41A5313 | 1        | Y     |
| Polish (models 91G 92G 96G 9SG FHG 6GG DEG ECG 6CG B2G B3G B5G B7G EGG EHG EPG FMG G5G G6G G7G GQG)   | 41A5314 | 1        | Y     |

| <b>8811 Keyboards (USB Preferred - without hub)</b>   | <b>FRU#</b> | <b>CRU Tier</b> | <b>RoHS?</b> |
|---|-------------|-----------------|--------------|
| Portuguese (models 91G 92G 96G 9SG FHG 6GG DEG ECG 6CG B2G B3G B5G B7G EGG EHG EPG FMG G5G G6G G7G GQG)       | 41A5315     | 1               | Y            |
| Romanian 096 (models 91G 92G 96G 9SG FHG 6GG DEG ECG 6CG B2G B3G B5G B7G EGG EHG EPG FMG G5G G6G G7G GQG)     | 41A5317     | 1               | Y            |
| Romanian 446 (models 91G 92G 96G 9SG FHG 6GG DEG ECG 6CG B2G B3G B5G B7G EGG EHG EPG FMG G5G G6G G7G GQG)     | 41A5316     | 1               | Y            |
| Russian/Cyrillic (models 91G 92G 96G 9SG FHG 6GG DEG ECG 6CG B2G B3G B5G B7G EGG EHG EPG FMG G5G G6G G7G GQG) | 41A5318     | 1               | Y            |
| Serbian/Cyrillic (models 91G 92G 96G 9SG FHG 6GG DEG ECG 6CG B2G B3G B5G B7G EGG EHG EPG FMG G5G G6G G7G GQG) | 41A5319     | 1               | Y            |
| Slovak (models 91G 92G 96G 9SG FHG 6GG DEG ECG 6CG B2G B3G B5G B7G EGG EHG EPG FMG G5G G6G G7G GQG)           | 41A5320     | 1               | Y            |
| Spanish (models 91G 92G 96G 9SG FHG 6GG DEG ECG 6CG B2G B3G B5G B7G EGG EHG EPG FMG G5G G6G G7G GQG)          | 41A5321     | 1               | Y            |
| Swedish/Finn (models 91G 92G 96G 9SG FHG 6GG DEG ECG 6CG B2G B3G B5G B7G EGG EHG EPG FMG G5G G6G G7G GQG)     | 41A5322     | 1               | Y            |
| Swiss (models 91G 92G 96G 9SG FHG 6GG DEG ECG 6CG B2G B3G B5G B7G EGG EHG EPG FMG G5G G6G G7G GQG)            | 41A5323     | 1               | Y            |
| Thailand (models 96T 9ST 6MT H1T FHT 6GT DET ECT 6CT B2T B3T B5T EJT ENT FMT GPT GQT)                         | 41A5324     | 1               | Y            |
| Turkish 440 (models 91G 92G 96G 9SG FHG 6GG DEG ECG 6CG B2G B3G B5G B7G EGG EHG EPG FMG G5G G6G G7G GQG)      | 41A5325     | 1               | Y            |
| Turkish 179 (models 91G 92G 96G 9SG FHG 6GG DEG ECG 6CG B2G B3G B5G B7G EGG EHG EPG FMG G5G G6G G7G GQG)      | 41A5326     | 1               | Y            |
| UK English (models 91G 92G 96G 9SG FHG 6GG DEG ECG 6CG B2G B3G B5G B7G EGG EHG EPG FMG G5G G6G G7G GQG)       | 41A5327     | 1               | Y            |
| US Euro (models 91G 92G 96G 9SG FHG 6GG DEG ECG 6CG B2G B3G B5G B7G EGG EHG EPG FMG G5G G6G G7G GQG)          | 41A5328     | 1               | Y            |
| Slovenian (models 91G 92G 96G 9SG FHG 6GG DEG ECG 6CG B2G B3G B5G B7G EGG EHG EPG FMG G5G G6G G7G GQG)        | 41A5329     | 1               | Y            |

| <b>8811 mice</b>                                      | <b>FRU#</b> | <b>CRU Tier</b> | <b>RoHS?</b> |
|---|-------------|-----------------|--------------|
| Mouse, Optical Wheel (400DPI, USB) (all models)       | 41U3013     | 1               | Y            |
| Mouse, Optical Wheel (400DPI, USB) (all models)       | 41U3030     | 1               | Y            |
| Mouse, ScrollPoint Optical (800DPI, USB) (models CTO) | 41U3019     | 1               | Y            |

| <b>8811 Wireless I/O</b>       | <b>FRU#</b> | <b>CRU Tier</b> | <b>RoHS?</b> |
|--------------------------------|-------------|-----------------|--------------|
| Wireless Keyboard (models CTO) | 41A5219     | 1               | Y            |
| Wireless Mouse (models CTO)    | 41A5247     | 1               | Y            |
| Transceiver (USB) (models CTO) | 41A5246     | 1               | Y            |

| 8811 Adapters and miscellaneous FRU  | FRU#    | CRU Tier | RoHS? |
|--|---------|----------|-------|
| 256MB PCIe x16, full height (models CTO 88C 98K 98R 9AK 9AR 9DS 9DP 9DL 9DD 9DY 9HK 9HR FAC)   | 41T2725 | 1        | Y     |
| 128MB DDR ATI Radeon x300SE (DMS59 connector) (models CTO 97K 97R 99K 99R 9CS 9CP 9CL 9CD 9CY 9EU 9EF 9FM 9QM F2S F2P F2L F2D F2Y F2C F3S F3P F3L F3D F3Y F3Q F3C F8S F8P F8L F8D F8Y F9C) | 39J9635 | 1        | Y     |
| PCI-E DVI-DConnection Adapter (Full Height) (models CTO 92G F6C B7G)   | 39J9334 | 1        | Y     |
| IEEE 1394 Firewire Adapter - full height (models CTO)  | 41D2781 | 1        | Y     |
| Speakers, (2-piece) (Lenovo logo) (models F9C FAC)   | 41A5331 | 1        | Y     |
| Speakers, Lenovo Branded (models CTO)  | 41A5334 | 1        | Y     |
| Speaker Power brick - China, Thailand (models F9C FAC GPT GQC GQT)   | 89P8581 | 1        | Y     |
| Speaker Power brick - Japan (models CTO)   | 89P8577 | 1        | Y     |
| Speaker Power brick - Brazil (models CTO)  | 89P8583 | 1        | Y     |
| Speaker Power brick - Argentina (models CTO)   | 41A4901 | 1        | Y     |
| Speaker Power brick - ANZ (models CTO GKM GLM GQM)   | 89P8579 | 1        | Y     |
| Speaker Brick - Korea (models CTO GQK)   | 41A4903 | 1        | Y     |
| Speaker Brick - Hong Kong, EMEA (models CTO GQB GQH GQG)   | 89P8573 | 1        | Y     |
| Speaker Brick - Taiwan (models CTO GQV)  | 41A4905 | 1        | Y     |
| Speaker Power brick - India, South Africa (models CTO GMQ GNQ GQQ)   | 89P8585 | 1        | Y     |
| Thermal grease syringe (all models)  | 91P8835 | 1        | Y     |
| Nvidia GeForce 7300LE 128MB 64bit ATX/LP w/S-Video, with DMS59 (models CTO)  | 42Y8165 | 1        | Y     |
| ATI X1300LE 256M 64bit LP/ATX with DMS59 (models CTO)  | 42Y8162 | 1        | Y     |
| Dongle DMS Dule DMS-59 to dual VGA cable (models CTO)  | 42Y8181 | 1        | Y     |
| Dongle DMS Dule DMS-59 to single VGA and DVI cable (models CTO)  | 42Y8183 | 1        | Y     |
| Dongle DMS Dule DMS-59 to dual DVI - I cable (models CTO)  | 41X6398 | 1        | Y     |

| 8811 Power Cords   | FRU#    | CRU Tier | RoHS? |
|--|---------|----------|-------|
| Power cord - US (models F3S F3L F3D F8S F8L F8D FBF FHU FHF FHS FHL FHD FHA FHT 6GU 6GF 6GS 6GL 6GD 6GA 6GT 6HU 6HF DEU DEF DES DEL DED DEA DET ECU ECF ECS ECL ECD ECA ECT 9UU 9UF D7U D7F D8U D8F E4U E4F F2S F2L F2D F4F B2U B2F B2S B2L B2D B2A B2T B3U B3F B3S B3L B3D B3A B3T C3U CTO-U A2S A2L A2D A3S A3L A3D A4S A4L A4D A7S A7L A7D A8S A8L A8D ABS ABL ABD ACS ACL ACD ADS ADL ADD AES AEL AED AFS AFL AFD AGS AGL AGD AKS AKL AKD ALS ALL ALD AMS AML AMD ANS ANL AND 93S 93L 93D 94S 94L 94D 96U 96F 9BS 9BL 9BD 9CS 9CL 9CD 9DS 9DL 9DD 9EU 9EF 96S 96L 96D 96T D1U D1F D2U D2F 9RS 9RL 9RD 9SU 9SF 9SS 9SL 9SD 9ST 9TU 9TF D5S D5L D5D D6U D6F E3U E3F E5S E5L E5D 6MA 6MT 6PS 6QS 6AS 6BS 9LS DBS DCS DDS DDL EAS EBS H1A H1T 6CU 6CF 6CS 6CP 6CL 6CD 6CY 6CG 6CM 6CA 6CQ 6CT 6CC 6CB 6CH 6CV 6CK 6CR 6SU 6TU B5U FMU B5F FMF B5S FMS B5D FMD B5L FML B5A EJA ENA FMA B5T EJT ENT FMT GFU GGU GHU GJU GAU GAF GBU GBF GKA GLA AMA GPT GQU GQF GQS GQD GQY GQL GQA GQT) | 39M5080 | 1        | Y     |
| Power cord - China (models CTO-A 96C 9SC 6DC F3C F6C F9C FAC FHC 6GC DEC ECC 6CC F2C B2C B3C B5C FKC FLC 6SC EKC EMC FMC FNC GCC GDC GQC)  | 39M5205 | 1        | Y     |

| 8811 Power Cords  | FRU#    | CRU Tier | RoHS? |
|---|---------|----------|-------|
| Power cord - Japan (models CTO-A 96E 96J 9SE 9SJ FHE FHJ 6GE 6GJ DEE DEJ ECE ECJ 6CE 6CJ B2E B2J B3E B3J B5E B5J FME FMJ GQE GQJ)   | 39M5193 | 1        | Y     |
| Power cord - Brazil (models CTO-L A2P A3P A4P A7P A8P ABP ACP ADP AEP AFP AGP AKP ALP AMP ANP 93P 94P 9BP 9CP 9DP 96P 9RP 9SP D5P E5P F3P F8P FHP 6GP DEP ECP 6CP F2P B2P B3P B5P FMP GQP)  | 39M5232 | 1        | Y     |
| Power cord - LA High Volt (APU) (models CTO-L A2L A2Y A3L A3Y A4L A4Y A7L A7Y A8L A8Y ABL ABY ACL ACY ADL ADY AEL AEY AFL AFY AGL AGY AKL AKY ALL ALY AML AMY ANL ANY 93L 93Y 94L 94Y 9BL 9BY 9CL 9CY 9DL 9DY 96L 96Y 9RL 9RY 9SL 9SY D5L D5Y E5L E5Y 6PY 6QY 6AY 6BY 9LY DBY DCY DDL DDY EAY EBY D9Y DAY E6Y E7Y F1Y F3L F3Y F8L F8Y FHL FHY 6GL 6GY DEL DEY ECL ECY 6CU 6CF 6CS 6CP 6CL 6CD 6CY 6CG 6CM 6CA 6CQ 6CT 6CC 6CB 6CH 6CV 6CK 6CR 6CE 6CJ 95U 95F 9UU 9UF D7U D7F D8U D8F E4U E4F F2L F2Y B2L B2Y B3L B3Y B5Y B5L FMY FML GQY GQL)  | 39M5067 | 1        | Y     |
| Power cord - Australia/New Zealand (models CTO-A 9FM 96M 9JM 9KM 9LM 9MM 9NM 9PM 9QM D3M D4M E1M E2M 9SM 9VM 9WM FCM FHM 6GM 6HM DEM ECM 6CM B2M B3M B5M FMM G4M GKM GLM GQM)   | 39M5102 | 1        | Y     |
| Power cord - Korea (models CTO-A 97K 97R 98K 98R 99K 99R 6RK 6KK 6EK 6FK 6AK 6AR 6BK 6BR D8K D8R E5K E5R B1K B1R 96K 96R FHK FHR 6GK 6GR 9SK 9SR DEK DER ECK ECR 6CK 6CR B2K B2R B3K B3R B5K B5R FMK FMR GQK GQR)   | 39M5212 | 1        | Y     |
| Power cord - Hong Kong (models CTO-A AKB AKH 91B 91H 96B 96H 9SB 9SH 6DB 6DH F4B F4H FHB FHH 6GB 6GH DEB DEH ECB ECH 6CB 6CH B2B B2H B3B B3H FKB FKH FLB FLH 6SB 6SH B5B B5H ELB ELH FMB FMH FNB FNH GEB GEH GQB GQH)   | 39M5151 | 1        | Y     |
| Power cord - UK, Ireland, Singapore, Malaysia, Brunei (models CTO-G CTO-A 91G 92G 96G 9SG 6MA H1A FHG FHA 6GG 6GA DEG DEA ECG ECA 6CG 6CA B2G B2A B3G B3A B5G B7G EGG EHG EPG FMG B5A EJA ENA FMA G5G G6G G7G GKA GLA AMA GQG GQA)  | 39M5150 | 1        | Y     |
| Power cord - Taiwan (models CTO-A A5V AHV AJV 96V FHV 6GV 9SV DEV ECV 6CV B2V B3V B5V FMV GQV )   | 39M5246 | 1        | Y     |
| Power cord - Italy/Chile (models DES DEL DEY DEG ECS ECL ECY ECG 6CU 6CF 6CS 6CP 6CL 6CD 6CY 6CG 6CM 6CA 6CQ 6CT 6CC 6CB 6CH 6CV 6CK 6CR 6CE 6CJ 95U 95F 9UU 9UF D7U D7F D8U D8F E4U E4F F2S F2L F2Y B2S B2L B2Y B2G B3S B3L B3Y B3G CTO-G A2S A2L A2Y A3S A3L A3Y A4S A4L A4Y A7S A7L A7Y A8S A8L A8Y ABS ABL ABY ACS ACL ACY ADS ADL ADY AES AEL AEY AFS AFL AFY AGS AGL AGY AKS AKL AKY ALS ALL ALY AMS AML AMY ANS ANL ANY 91G 92G 93S 93L 93Y 94S 94L 94Y 9BS 9BL 9BY 9CS 9CL 9CY 9DS 9DL 9DY 96S 96L 96Y 96G 9RS 9RL 9RY 9SS 9SL 9SY 9SG D5S D5L D5Y E5S E5L E5Y 6PS 6PY 6QS 6QY 6AS 6AY 6BS 6BY 9LS 9LY DBS DBY DCS DCY DDS DDL DDY EAS EAY EBS EBY D9S D9Y DAS DAY E6S E6Y E7S E7Y F1S F1Y F3S F3L F3Y FHS FHL FHY FHG 6GS 6GL 6GY 6GG B5S FMS B5Y FMY B5L FML G5G G6G G7G GQS GQY GQL GQG) | 39M5164 | 1        | Y     |
| Power cord - World Trade (models CTO-G CTO-A 6MA H1A FHA 6GA DEA ECA 6CA B2A B3A B5A EJA ENA FMA GKA GLA AMA GQA)   | 39M5122 | 1        | Y     |
| Power cord - Denmark (models CTO-G 91G 92G 96G 9SG FHG 6GG DEG ECG 6CG B2G B3G B5G B7G EGG EHG EPG FMG B5G B7G EGG EHG EPG FMG G5G G6G G7G GQG)   | 39M5129 | 1        | Y     |
| Power cord - Switzerland (models CTO-G 91G 92G 96G 9SG FHG 6GG DEG ECG 6CG B2G B3G B5G B7G EGG EHG EPG FMG G5G G6G G7G GQG)   | 39M5157 | 1        | Y     |
| Power cord - Israel (models CTO-G 91G 92G 96G 9SG FHG 6GG DEG ECG 6CG B2G B3G B5G B7G EGG EHG EPG FMG G5G G6G G7G GQG)  | 39M5171 | 1        | Y     |

| 8811 Power Cords   | FRU#    | CRU Tier | RoHS? |
|--|---------|----------|-------|
| Power cord - South Africa (models CTO-G 91G 92G 9FM 96G 96M 9JM 9KM 9LM 9MM 9NM 9PM 9QM D3M D4M E1M E2M 9SG 9SM 9VM 9WM 6MA H1A FCM FHG FHM FHA 6GG 6GM 6GA 6HM DEG DEM DEA ECG ECM ECA 6CG 6CM 6CA B2G B2M B2A B3G B3M B3A B5G B7G EGG EHG EPG FMG B5M FMM B5A EJA ENA FMA G5G G6G G7G G4M GKM GLM GKA GLA AMA GQM GQA) | 39M5143 | 1        | Y     |
| Power cord - India (models CTO-A 96Q 9SQ 6MQ 93Q 94Q H1Q F3Q FHQ 6GQ DEQ ECQ 6CQ B2Q B3Q B5Q FMQ H4Q G8Q G9Q GMQ GNQ GQQ)  | 39M5004 | 1        | Y     |

| 8811 Windows XP Home Recovery CDs   | FRU#    | CRU Tier | RoHS? |
|-------------------------------------|---------|----------|-------|
| US/UK/AP/TH (models 99R 9KM 9MM)    | 42Y3242 | 1        | Y     |
| SP/LA (models 9BS)                  | 42Y4493 | 1        | Y     |
| Korean (models 99K 6RK 6KK 6EK 6FK) | 42T8651 | 1        | Y     |
| Simplified Chinese (models F9C FAC) | 42T8657 | 1        | Y     |

| 8811 Windows XP Pro Recovery CDs   | FRU#    | CRU Tier | RoHS? |
|--|---------|----------|-------|
| US/UK/AP/TH (models A3L A4L A7L A8L ABL ACL ADL AEL AFL AGL AKL ALL AML ANL 91G 92G 93L 94L 96U 97R 98R 9BL 9CL 9DL 9EU 9FM AKH 91H 96L 96G 96M 96Q 96T 96H 96R 96E 9JM 9LM 9NM 9PM 9QM D1U D2U D3M D4M E1M E2M 9RL 9SU 9SL 9SG 9SM 9SQ 9ST 9SH 9SR 9SE 9TU 9VM 9WM D5L D6U E3U E5L 6MA 6MQ 6MT 6DH 93Q 94Q 6AR 6BR DDL D8R E5R 6CU 6CL 6CG 6CM 6CA 6CQ 6CT 6CH 6CR 6CE 95U 9UU D7U D8U E4U B1R F2L F3L F3Q F4H F8L FCM FHU FHL FHG FHM FHA FHQ FHT FHH FHR FHE 6HU 6HM DEU DEL DEG DEM DEA DEQ DET DEH DER DEE ECU ECL ECG ECM ECA ECQ ECT ECH ECR ECE GHU GJU GAU GBU 6SU 6TU B5U FMU B5L FML B5G B7G EGG EHG EPG FMG B5M FMM B5A ENA FMA B5Q FMQ FKH FLH 6SH B5H ELH FMH FNH B5R B5E FMR FME GFU GGU GEH G4M G6G G7G G8Q G9Q GKM GKA GLM GLA GMA GMQ GNQ GQU GQG GQM GQA GQQ GQH GQR GQE) | 42Y3236 | 1        | Y     |
| RE (models 91G 92G 96G 9SG 6CG FHG DEG ECG G5G B5G B7G EGG EHG EPG FMG G5G G6G G7G GQG)  | 42Y5464 | 1        | Y     |
| FR/CF (models 91G 92G 96F 9EF 96G D1F D2F 9SF 9SG 9TF D6F E3F 6CF 6CG 95F 9UF D7F D8F E4F FBF FHF FHG 6HF DEF DEG ECF ECG F4F G5G GAF GBF B5F FMF B5G B7G EGG EHG EPG FMG GAF GBF G5G G6G G7G GQF GQG)   | 42Y4449 | 1        | Y     |
| GR (models 91G 92G 96G 9SG 6CG FHG DEG ECG G5G B5G B7G EGG EHG EPG FMG G5G G6G G7G GQG)  | 42Y4450 | 1        | Y     |
| SP/LA (models A3S A3D A3Y A4S A4D A4Y A7S A7D A7Y A8S A8D A8Y ABS ABD ABY ACS ACD ACY ADS ADD ADY AES AED AEY AFS AFD AFY AGS AGD AGY AKS AKD AKY ALS ALD ALY AMS AMD AMY ANS AND ANY 91G 92G 93S 93D 93Y 94S 94D 94Y 9BS 9BD 9BY 9CS 9CD 9CY 9DS 9DD 9DY 96S 96D 96Y 96G 9RS 9RD 9RY 9SS 9SD 9SY 9SG D5S D5D D5Y E5S E5D E5Y 6PS 6PY 6QS 6QY 6AS 6AY 6BS 6BY 9LS 9LY DBS DBY DCS DCY DDS DDY EAS EAY EBS EBY F1Y D9S D9Y DAS DAY E6S E6Y E7S E7Y 6CS 6CD 6CY 6CG F2S F2D F2Y F3S F3D F3Y F8S F8D F8Y FHS FHD FHY FHG DES DED DEY DEG ECS B5S FMS B5D B5Y FMD FMY B5G B7G EGG EHG EPG FMG GQG GQS GQD GQY)   | 42Y4451 | 1        | Y     |
| IT (models 91G 92G 96G 9SG 6CG FHG DEG ECG G5G B5G B7G EGG EHG EPG FMG G5G G6G G7G GQG)  | 42Y4452 | 1        | Y     |
| BR (models B5P FMP GQP)  | 42Y4453 | 1        | Y     |

| 8811 Windows XP Pro Recovery CDs  | FRU#    | CRU Tier | RoHS? |
|---|---------|----------|-------|
| SV (models 91G 92G 96G 9SG 6CG FHG DEG ECG G5G B5G B7G EGG EHG EPG FMG G5G G6G G7G GQG)                                   | 42Y4454 | 1        | Y     |
| DK (models 91G 92G 96G 9SG 6CG FHG DEG ECG G5G B5G B7G EGG EHG EPG FMG G5G G6G G7G GQG)                                   | 42Y4455 | 1        | Y     |
| FI (models 91G 92G 96G 9SG 6CG FHG DEG ECG G5G B5G B7G EGG EHG EPG FMG G5G G6G G7G GQG)                                   | 42Y5465 | 1        | Y     |
| NO (models 91G 92G 96G 9SG 6CG FHG DEG ECG G5G B5G B7G EGG EHG EPG FMG G5G G6G G7G GQG)                                   | 42Y5466 | 1        | Y     |
| NL (models 91G 92G 96G 9SG 6CG FHG DEG ECG G5G B5G B7G EGG EHG EPG FMG G5G G6G G7G GQG)                                   | 42Y5467 | 1        | Y     |
| Korea (models 97K 98K 96K 9SK 6AK 6BK D8K E5K 6CK B1K FHK DEK ECK B5K FMK GQK)  | 42T8621 | 1        | Y     |
| Simplified Chinese (models 96C 95C 6DC 6CC F2C F3C F6C FHC DEC ECC FKC FLC 6SC B5C FMC FNC GCC GDC GQC)                   | 42T8627 | 1        | Y     |
| Taiwan - TC (models A5V AHV 96V 9SV 6CV AJV FHV DEV ECV B5V FMV GQV)  | 42T8633 | 1        | Y     |
| Hong Kong - TC (models AKB 91B 96B 9SB 6DB 6CB F4B FHB DEB ECB FKB FLB 6SB B5B ELB FMB FNB GEB GQB)                       | 42T8639 | 1        | Y     |
| Japanese (models 96J 9SJ 6CJ FHJ DEJ ECJ B5J FMJ GQJ)   | 42T8645 | 1        | Y     |
| HE (models 91G 92G 96G 9SG 6CG FHG DEG ECG G5G B5G B7G EGG EHG EPG FMG G5G G6G G7G GQG)                                   | 42Y5468 | 1        | Y     |
| PL (models 91G 92G 96G 9SG 6CG FHG DEG ECG G5G B5G B7G EGG EHG EPG FMG G5G G6G G7G GQG)                                   | 42Y5469 | 1        | Y     |
| CZ (models 91G 92G 96G 9SG 6CG FHG DEG ECG G5G B5G B7G EGG EHG EPG FMG G5G G6G G7G GQG)                                   | 42Y5470 | 1        | Y     |
| AE (models 91G 92G 96G 9SG 6CG FHG DEG ECG G5G B5G B7G EGG EHG EPG FMG G5G G6G G7G GQG)                                   | 42Y5471 | 1        | Y     |
| RU (models 91G 92G 96G 9SG 6CG FHG DEG ECG G5G B5G B7G EGG EHG EPG FMG G5G G6G G7G GQG)                                   | 42Y5472 | 1        | Y     |
| TR (models 91G 92G 96G 9SG 6CG FHG DEG ECG G5G B5G B7G EGG EHG EPG FMG G5G G6G G7G GQG)                                   | 42Y5473 | 1        | Y     |
| HU (models 91G 92G 96G 9SG 6CG FHG DEG ECG G5G B5G B7G EGG EHG EPG FMG G5G G6G G7G GQG)                                   | 42Y5474 | 1        | Y     |
| PO (models 91G 92G 96G 9SG 6CG FHG DEG ECG G5G B5G B7G EGG EHG EPG FMG G5G G6G G7G GQG)                                   | 42Y5475 | 1        | Y     |
| GK (models 91G 92G 96G 9SG 6CG FHG DEG ECG G5G B5G B7G EGG EHG EPG FMG G5G G6G G7G GQG)                                   | 42Y5476 | 1        | Y     |
| SL (models 91G 92G 96G 9SG 6CG FHG DEG ECG G5G B5G B7G EGG EHG EPG FMG G5G G6G G7G GQG)                                   | 42Y5477 | 1        | Y     |
| Multilingual 1 -- EN, NL, FR, GR, IT (models 91G 92G 96G 9SG 6CG FHG DEG ECG G5G B5G B7G EGG EHG EPG FMG G5G G6G G7G GQG) | 42Y4533 | 1        | Y     |
| Multilingual 2 -- EN, DK, FI, NO, SV (models 91G 92G 96G 9SG 6CG FHG DEG ECG G5G B5G B7G EGG EHG EPG FMG G5G G6G G7G GQG) | 42Y5626 | 1        | Y     |

| 8811 Vista Home Basic 32 Recovery DVDs | FRU#    | CRU Tier |
|--|---------|----------|
| US/UK/AP/TH (models)                   | 43C1440 | 1        |

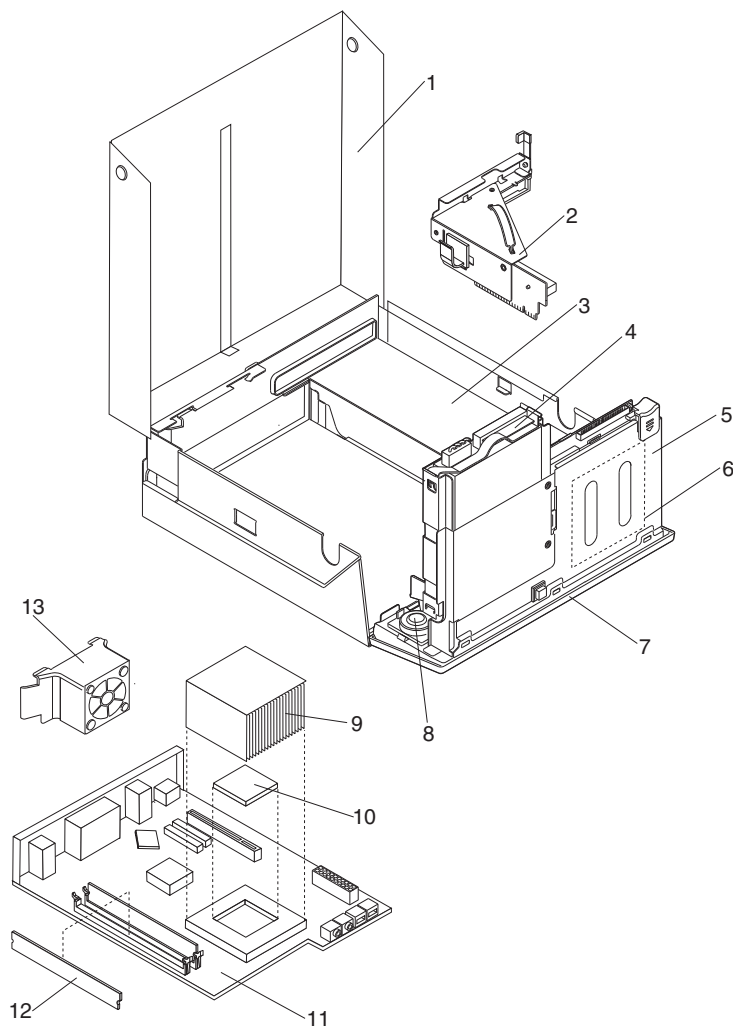


| 8811 Vista Home Basic 32 Recovery DVDs | FRU#    | CRU Tier |
|--|---------|----------|
| FR/CF (models)                         | 43C1441 | 1        |
| GR (models)                            | 43C1442 | 1        |
| SP/LA (models)                         | 43C1443 | 1        |
| BR (models)                            | 43C1444 | 1        |
| IT (models)                            | 43C1445 | 1        |
| JP (models)                            | 43C1446 | 1        |
| NO (models)                            | 43C1447 | 1        |
| SV (models)                            | 43C1448 | 1        |
| DK (models)                            | 43C1449 | 1        |
| NL (models)                            | 43C1450 | 1        |
| CZ (models)                            | 43C1451 | 1        |
| FI (models)                            | 43C1452 | 1        |
| PL (models)                            | 43C1453 | 1        |
| RU (models)                            | 43C1454 | 1        |
| TR (models)                            | 43C1455 | 1        |
| HU (models)                            | 43C1456 | 1        |
| GK (models)                            | 43C1457 | 1        |
| PO (models)                            | 43C1458 | 1        |
| CS (models)                            | 43C1459 | 1        |
| TW (models)                            | 43C1460 | 1        |
| HK (models)                            | 43C1461 | 1        |
| KR (models)                            | 43C1462 | 1        |
| SL (models)                            | 43C1463 | 1        |
| RE (models)                            | 43C1464 | 1        |

| 8811 Vista Business 32 Recovery DVDs  | FRU#    | CRU Tier |
|---|---------|----------|
| US/UK/AP/TH (models 6SU 6TU B5U FMU B5L FML B5G B7G EGG EHG EPG FMG B5M FMM B5A ENA FMA B5Q FMQ FKH FLH 6SH B5H ELH FMH FNH B5R B5E FMR FME GFU GGU GEH G4M G6G G7G G8Q G9Q ) | 43C1390 | 1        |
| FR/CF (models B5F FMF B5G B7G EGG EHG EPG FMG GAF GBF G5G G6G G7G)  | 43C1391 | 1        |
| GR (models B5G B7G EGG EHG EPG FMG G5G G6G G7G)   | 43C1392 | 1        |
| SP/LA (models B5S FMS B5D B5Y FMD FMY B5G B7G EGG EHG EPG FMG)  | 43C1393 | 1        |
| BR (models B5P FMP)   | 43C1394 | 1        |
| IT (models B5G B7G EGG EHG EPG FMG G5G G6G G7G)   | 43C1395 | 1        |
| JP (models B5J FMJ)   | 43C1396 | 1        |
| NO (models B5G B7G EGG EHG EPG FMG G5G G6G G7G)   | 43C1397 | 1        |
| SV (models B5G B7G EGG EHG EPG FMG G5G G6G G7G)   | 43C1398 | 1        |
| DK (models B5G B7G EGG EHG EPG FMG G5G G6G G7G)   | 43C1399 | 1        |
| NL (models B5G B7G EGG EHG EPG FMG G5G G6G G7G)   | 43C1400 | 1        |
| CZ (models B5G B7G EGG EHG EPG FMG G5G G6G G7G)   | 43C1401 | 1        |
| FI (models B5G B7G EGG EHG EPG FMG G5G G6G G7G)   | 43C1402 | 1        |

| 8811 Vista Business 32 Recovery DVDs            | FRU#    | CRU Tier |
|---|---------|----------|
| PL (models B5G B7G EGG EHG EPG FMG G5G G6G G7G) | 43C1403 | 1        |
| RU (models B5G B7G EGG EHG EPG FMG G5G G6G G7G) | 43C1404 | 1        |
| TR (models B5G B7G EGG EHG EPG FMG G5G G6G G7G) | 43C1405 | 1        |
| HU (models B5G B7G EGG EHG EPG FMG G5G G6G G7G) | 43C1406 | 1        |
| GK (models B5G B7G EGG EHG EPG FMG G5G G6G G7G) | 43C1407 | 1        |
| PO (models B5G B7G EGG EHG EPG FMG G5G G6G G7G) | 43C1408 | 1        |
| CS (models FKC FLC 6SC B5C FMC FNC GCC GDC)     | 43C1409 | 1        |
| TW (models B5V FMV)                             | 43C1410 | 1        |
| HK (models FKB FLB 6SB B5B ELB FMB FNB GEB)     | 43C1411 | 1        |
| KR (models B5K FMK)                             | 43C1412 | 1        |
| SL (models B5G B7G EGG EHG EPG FMG G5G G6G G7G) | 43C1413 | 1        |
| RE (models B5G B7G EGG EHG EPG FMG G5G G6G G7G) | 43C1414 | 1        |

## Machine Type 8812



| Item # | 8812 FRUs   | FRU#    | CRU Tier | RoHS? |
|--------|---|---------|----------|-------|
| 1      | Top Cover (all models)  | 89P6782 | 1        | Y     |
| 2      | Pocono Interposal card (all models)   | 41R2902 | 1        | Y     |
| 2      | PCI Riser Card Bracket Asm (all models)   | 41N8276 | 1        | Y     |
| 3      | Power Supply (models CTO)   | 41N3105 | 2        | Y     |
| 4      | Hard disk drive, 40GB 7200rpm SATA (models CTO)   | 40Y9033 | 1        | Y     |
| 4      | Hard disk drive, 40GB 7200rpm SATA (models CTO)   | 40Y8760 | 1        | Y     |
| 4      | Hard disk drive 80GB 7200rpm Serial ATA, (models CTO 91U 91F 91S 91P 91L 91D 91Y 91G 91M 91A 91Q 91T 91C 91B 91H 91V 91K 91R 91E 91J 92A 92T)                 | 40Y9034 | 1        | Y     |
| 4      | Hard disk drive 80GB 7200rpm Serial ATA, (models CTO 91U 91F 91S 91P 91L 91D 91Y 91G 91M 91A 91Q 91T 91C 91B 91H 91V 91K 91R 91E 91J 92A 92T)                 | 40Y8761 | 1        | Y     |
| 4      | Hard disk drive 160GB 7200rpm Serial ATA (models CTO)   | 40Y9035 | 1        | Y     |
| 4      | Hard disk drive 160GB 7200rpm Serial ATA (models CTO)   | 40Y8762 | 1        | Y     |
| 4      | Hard disk drive 250GB 7200rpm Serial ATA (models CTO)   | 40Y9036 | 1        | Y     |
| 4      | Hard disk drive 250GB 7200rpm Serial ATA (models CTO )  | 40Y8763 | 1        | Y     |
| 5      | Front Rotating Cage assembly (all models)   | 41N5315 | 2        | Y     |
| 6      | CD-ROM (24x) Plus Ultrabay Enhanced Drive (RoHS) (models CTO)   | 40Y8961 | 1        | Y     |
| 6      | CD-ROM (24x) Plus Ultrabay Enhanced Drive (RoHS) (models CTO)   | 40Y8963 | 1        | Y     |
| 6      | DVD-ROM/CD-RW Combo Drive (024\024\024\008) (models CTO 91U 91F 91S 91P 91L 91D 91Y 91G 91M 91A 91Q 91T 91C 91B 91H 91V 91K 91R 91E 91J 92A 92T)              | 40Y8945 | 1        | Y     |
| 6      | DVD-RW/CD-RW - IDE (models CTO)   | 41N3355 | 1        | Y     |
| 6      | DVD-RW/CD-RW - IDE (models CTO)   | 41N3357 | 1        | Y     |
| 7      | Front Bezel (all models)  | 41N5316 | 1        | Y     |
| 8      | Speaker and Cable assembly (all models)   | 39K5012 | 1        | Y     |
| 9      | Heat Sink (all models)  | 41A7711 | 2        | Y     |
| 10     | Microprocessor, Pentium 4 3.0 GHz 800 FSB 1MB L2 (models CTO 92A 92T)   | 41T1701 | N        | Y     |
| 10     | Microprocessor, Pentium 4 3.0 GHz 800 FSB 2MB L2 (models CTO)   | 41T1712 | N        | Y     |
| 10     | Microprocessor, Pentium 4 3.2 GHz 800 FSB 2MB L2 (models CTO)   | 41T1713 | N        | Y     |
| 10     | Microprocessor, Pentium 4 3.4 GHz 800 FSB 2MB L2 (models CTO)   | 41T1714 | N        | Y     |
| 10     | Microprocessor, Pentium 4 3.6 GHz 800 FSB 2MB L2 (models CTO)   | 41T1715 | N        | Y     |
| 10     | Microprocessor, Pentium D 2.8 GHz 800 FSB 2Mx2 L2 (models CTO)  | 41T1716 | N        | Y     |
| 10     | Microprocessor, Pentium D 3.0 GHz 800 FSB 2Mx2 L2 (models CTO)  | 41X2413 | N        | Y     |
| 10     | Microprocessor, Pentium D 3.0 GHz 800 FSB 2Mx2 L2 (models CTO)  | 41T1717 | N        | Y     |
| 10     | Microprocessor, Pentium D 3.2 GHz 800 FSB 2Mx2 L2 (models CTO)  | 41X8050 | N        | Y     |
| 10     | Microprocessor, Conroe E6300 Processor 1.86GHz 1066MHz FSB 2M L2 (models CTO 91U 91F 91S 91P 91L 91D 91Y 91G 91M 91A 91Q 91T 91C 91B 91H 91V 91K 91R 91E 91J) | 41X2495 | N        | Y     |
| 10     | Microprocessor, Conroe E6400 Processor 2.13GHz 1066MHz FSB 2M L2 (models CTO)   | 41X2496 | N        | Y     |
| 10     | Microprocessor, Celeron D 2.53GHz 533MHz FSB 256KB L2 (models CTO)  | 41T1693 | N        | Y     |

| Item # | 8812 FRUs   | FRU#    | CRU Tier | RoHS? |
|--------|---|---------|----------|-------|
| 10     | Microprocessor, Celeron D 2.66GHz 533MHz FSB 256KB L2 (models CTO)  | 41T1694 | N        | Y     |
| 10     | Microprocessor, Celeron D 2.80GHz 533MHz FSB 256KB L2 (models CTO)  | 41T1695 | N        | Y     |
| 10     | Microprocessor, Celeron D 2.93GHz 533MHz FSB 256KB L2 (models CTO)  | 41T1696 | N        | Y     |
| 10     | Microprocessor, Celeron D 3.06GHz 533MHz FSB 256KB L2 (models CTO)  | 41T1697 | N        | Y     |
| 10     | Microprocessor, Celeron D 3.20GHz 533MHz FSB 256KB L2 (models CTO)  | 41T1698 | N        | Y     |
| 10     | Microprocessor, Celeron D 3.33GHz 533MHz FSB 256KB L2 (models CTO)  | 41T1699 | N        | Y     |
| 10     | Microprocessor, Celeron D 3.20GHz 533MHz FSB 512KB L2 (models CTO)  | 41T4966 | N        | Y     |
| 10     | Microprocessor, Celeron D 3.33GHz 533MHz FSB 512KB L2 (models CTO)  | 41T4968 | N        | Y     |
| 11     | System board (models CTO 91U 91F 91S 91P 91L 91D 91Y 91G 91M 91A 91Q 91T 91C 91B 91H 91V 91K 91R 91E 91J 92A 92T)                           | 41T2104 | 2        | Y     |
| 12     | Memory - 256MB DDR2 SDRAM NP (PC 5300) (models CTO)   | 30R5124 | 1        | Y     |
| 12     | Memory - 512MB DDR2 SDRAM NP (PC 5300) (models CTO 91U 91F 91S 91P 91L 91D 91Y 91G 91M 91A 91Q 91T 91C 91B 91H 91V 91K 91R 91E 91J 92A 92T) | 30R5125 | 1        | Y     |
| 12     | Memory - 1GB DDR2 SDRAM NP (PC 5300) (models CTO)   | 30R5126 | 1        | Y     |
| 12     | Memory - 2GB DDR2 SDRAM NP (PC 5300) (models CTO)   | 30R5127 | 1        | Y     |
| 13     | Rear exhaust fan (all models)   | 39M0551 | 1        | Y     |

The FRUs listed in the following table are not illustrated.

| 8812 FRUs  | FRU#    | CRU Tier | RoHS? |
|--|---------|----------|-------|
| Bezel, Ultra-Bay-Enhanced (all models)                                     | 89P6804 | 1        | Y     |
| HSS Tray assembly (includes grommet/pins/brkt/ground springs) (all models) | 89P6778 | 1        | Y     |
| Power/LED cable assembly with bracket (all models)                         | 39K5055 | 2        | Y     |
| Chassis and cover assembly (all models)                                    | 41N5314 | 2        | Y     |
| Cable, SATA hard disk drive and optical drive (all models)                 | 39K5061 | 1        | Y     |
| Ultra Bay Enhanced Cable/Card Assembly (all models)                        | 41N5305 | 2        | Y     |
| Fan assembly, front (all models)   | 41R6359 | 1        | Y     |
| Vertical stand (all models)  | 89P6792 | 1        | Y     |
| Rear air deflector (all models)  | 89P6793 | 1        | Y     |
| Miscellaneous hardware kit (all models)                                    | 89P6794 | 1        | Y     |
| Plastic parts kit (all models)   | 39M0575 | 2        | Y     |
| Battery 3.0V (all models)  | 33F8354 | 1        | Y     |
| Underdesk Mounting Kit (all models)  | 39M0599 | 1        | Y     |
| Chassis Intrusion Switch-C2 Cable-Switch (models CTO)                      | 39K5022 | 1        | Y     |
| Thermal Sense cable (850 mm) (all models)                                  | 41R2511 | 1        | Y     |

| 8812 Keyboards (USB Preferred - without hub)                    | FRU#    | CRU Tier | RoHS? |
|---|---------|----------|-------|
| US English (models 91U 91G 91M 91A 91Q 91C 91H 91R 91E 91L 92A) | 41A5289 | 1        | Y     |
| Arabic (models 91G)   | 41A5290 | 1        | Y     |
| Arabic/French (models 91G)                                      | 41A5291 | 1        | Y     |

| <b>8812 Keyboards (USB Preferred - without hub)</b> | <b>FRU#</b> | <b>CRU Tier</b> | <b>RoHS?</b> |
|---|-------------|-----------------|--------------|
| Belgian/French (models 91G)                         | 41A5292     | 1               | Y            |
| Belgian/UK (models 91G)                             | 41A5293     | 1               | Y            |
| Brazilian (models 91P)                              | 41A5294     | 1               | Y            |
| Bulgarian (models 91G)                              | 41A5295     | 1               | Y            |
| Chinese/US (models 91B 91V)                         | 41A5296     | 1               | Y            |
| Czech (models 91G)                                  | 41A5297     | 1               | Y            |
| Danish (models 91G)                                 | 41A5298     | 1               | Y            |
| Dutch (models 91G)                                  | 41A5299     | 1               | Y            |
| French (models 91G)                                 | 41A5300     | 1               | Y            |
| French Canadian 445 (models 91F)                    | 41A5301     | 1               | Y            |
| French Canadian 58 (models 91F)                     | 41A5302     | 1               | Y            |
| German (models 91G)                                 | 41A5303     | 1               | Y            |
| Greek (models 91G)                                  | 41A5304     | 1               | Y            |
| Greek/US (models 91G)                               | 41A5305     | 1               | Y            |
| Hebrew (models 91G)                                 | 41A5306     | 1               | Y            |
| Hungarian (models 91G)                              | 41A5307     | 1               | Y            |
| Iceland (models 91G)                                | 41A5308     | 1               | Y            |
| Italian 141 (models 91G)                            | 41A5309     | 1               | Y            |
| Japanese (models 91J)                               | 41A5310     | 1               | Y            |
| LA Spanish (models 91S 91D 91Y)                     | 41A5312     | 1               | Y            |
| Norwegian (models 91G)                              | 41A5313     | 1               | Y            |
| Polish (models 91G)                                 | 41A5314     | 1               | Y            |
| Portuguese (models 91G)                             | 41A5315     | 1               | Y            |
| Romanian 096 (models 91G)                           | 41A5317     | 1               | Y            |
| Romanian 446 (models 91G)                           | 41A5316     | 1               | Y            |
| Russian/Cyrillic (models 91G)                       | 41A5318     | 1               | Y            |
| Serbian/Cyrillic (models 91G)                       | 41A5319     | 1               | Y            |
| Slovak (models 91G)                                 | 41A5320     | 1               | Y            |
| Spanish (models 91G)                                | 41A5321     | 1               | Y            |
| Swedish/Finn (models 91G)                           | 41A5322     | 1               | Y            |
| Swiss (models 91G)                                  | 41A5323     | 1               | Y            |
| Thailand (models 91T 92T)                           | 41A5324     | 1               | Y            |
| Turkish 440 (models 91G)                            | 41A5325     | 1               | Y            |
| Turkish 179 (models 91G)                            | 41A5326     | 1               | Y            |
| UK English (models 91G)                             | 41A5327     | 1               | Y            |
| US Euro (models 91G)                                | 41A5328     | 1               | Y            |
| Slovenian (models 91G)                              | 41A5329     | 1               | Y            |

| <b>8812 Mice</b>                                      | <b>FRU#</b> | <b>CRU Tier</b> | <b>RoHS?</b> |
|---|-------------|-----------------|--------------|
| Mouse, Optical Wheel (400DPI, USB) (all models)       | 41U3013     | 1               | Y            |
| Mouse, ScrollPoint Optical (800DPI, USB) (models CTO) | 41U3019     | 1               | Y            |

| 8812 Wireless I/O              | FRU#    | CRU Tier | RoHS? |
|--------------------------------|---------|----------|-------|
| Wireless Keyboard (models CTO) | 41A5219 | 1        | Y     |
| Wireless Mouse (models CTO)    | 41A5247 | 1        | Y     |
| Transceiver (USB) (models CTO) | 41A5246 | 1        | Y     |

| 8812 Adapters and miscellaneous FRUs                       | FRU#    | CRU Tier | RoHS? |
|--|---------|----------|-------|
| Soft modem V.90/V.44 (models CTO)                          | 29R9729 | 1        | Y     |
| 256MB PCIe x16, full height (models CTO)                   | 41T2725 | 1        | Y     |
| 128MB DDR ATI Radeon x300SE (DMS59 connector) (models CTO) | 39J9635 | 1        | Y     |
| PCI-E DVI-DConnection Adapter (Full Height) (models CTO)   | 39J9334 | 1        | Y     |
| IEEE 1394 Firewire Adapter - full height (models CTO)      | 41D2781 | 1        | Y     |
| Thermal Grease Syringe (all models)                        | 91P8835 | 1        | Y     |

| 8812 Power Cords   | FRU#    | CRU Tier | RoHS? |
|--|---------|----------|-------|
| Power Cord (US) (models CTO-U 91U 91F 91S 91L 91D 91A 91T 92A 92T)                     | 39M5080 | 1        | Y     |
| Power Cord (China) (models CTO-A 91C)  | 39M5205 | 1        | Y     |
| Power Cord (Japan) (models CTO-A 91E 91J)  | 39M5193 | 1        | Y     |
| Power Cord (Brazil) (models CTO-L 91P)   | 39M5232 | 1        | Y     |
| Power Cord (LA), (High Volt) (APU) (models CTO-L 91L 91Y)                              | 39M5067 | 1        | Y     |
| Power Cord (Australia, New Zealand) (models CTO-A 91M)                                 | 39M5102 | 1        | Y     |
| Power Cord (Korea) (models CTO-A 91K 91R)  | 39M5212 | 1        | Y     |
| Power Cord (Hong Kong) (models CTO-A 91B 91H)  | 39M5151 | 1        | Y     |
| Power Cord (UK, Ireland, Singapore, Malaysia, Brunei) (models CTO-G CTO-A 91G 91A 92A) | 39M5150 | 1        | Y     |
| Power Cord (Taiwan) (models CTO-A 91V)   | 39M5246 | 1        | Y     |
| Power Cord (Italy) (models CTO-G 91S 91L 91Y 91G)                                      | 39M5164 | 1        | Y     |
| Power Cord (G models) (models CTO-G CTO-A 91G 91A 92A)                                 | 39M5122 | 1        | Y     |
| Power Cord (Denmark) (models CTO-G 91G)  | 39M5129 | 1        | Y     |
| Power Cord (Switzerland) (models CTO-G 91G)  | 39M5157 | 1        | Y     |
| Power Cord (Israel) (models CTO-G 91G)   | 39M5171 | 1        | Y     |
| Power Cord (South Africa) (models CTO-G 91G 91M 91A 92A)                               | 39M5143 | 1        | Y     |
| Power Cord (India) (models CTO-A 91Q)  | 39M5004 | 1        | Y     |

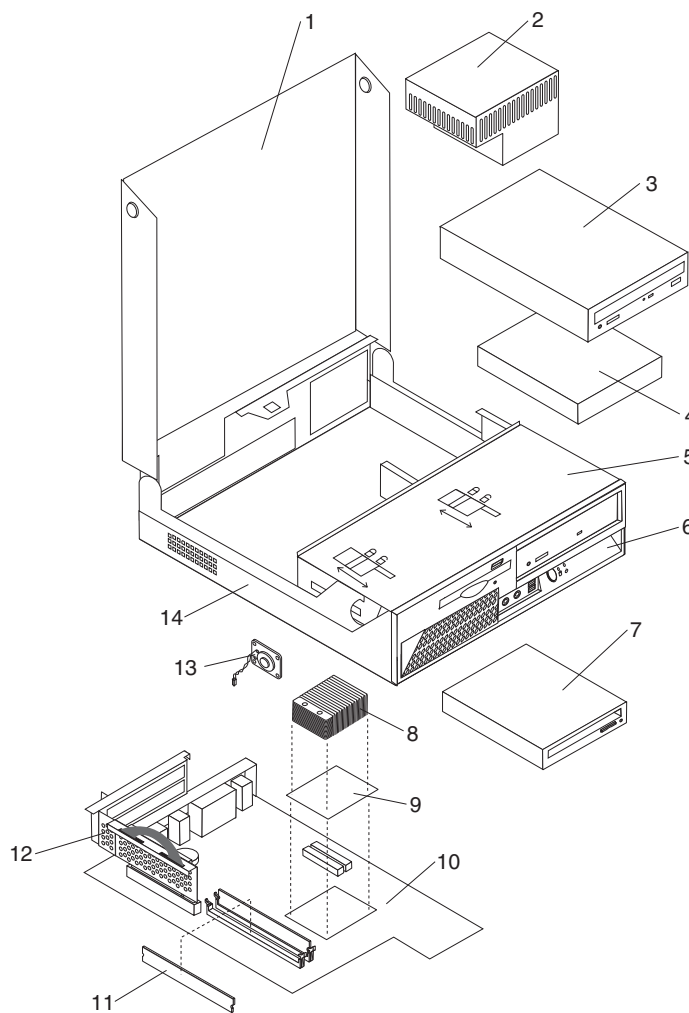
| 8812 Windows XP Home Recovery CDs | FRU# | CRU Tier | RoHS? |
|-----------------------------------|------|----------|-------|
| US/UK/AP/TH (models)              | TBD  | 1        | Y     |
| FR/CF (models)                    | TBD  | 1        | Y     |
| GR (models)                       | TBD  | 1        | Y     |
| IT (models)                       | TBD  | 1        | Y     |
| BR (models)                       | TBD  | 1        | Y     |
| SP/LA (models)                    | TBD  | 1        | Y     |
| DK (models )                      | TBD  | 1        | Y     |

| 8812 Windows XP Home Recovery CDs | FRU# | CRU Tier | RoHS? |
|-----------------------------------|------|----------|-------|
| NL (models)                       | TBD  | 1        | Y     |
| AE (models )                      | TBD  | 1        | Y     |
| SV (models )                      | TBD  | 1        | Y     |
| HE (models )                      | TBD  | 1        | Y     |
| FI (models)                       | TBD  | 1        | Y     |
| NO (models)                       | TBD  | 1        | Y     |
| PL (models)                       | TBD  | 1        | Y     |
| PO (models)                       | TBD  | 1        | Y     |
| RU (models)                       | TBD  | 1        | Y     |
| RE (models)                       | TBD  | 1        | Y     |
| HU (models)                       | TBD  | 1        | Y     |
| CZ (models)                       | TBD  | 1        | Y     |
| TR (models)                       | TBD  | 1        | Y     |
| GK (models)                       | TBD  | 1        | Y     |
| Simplified Chinese (models)       | TBD  | 1        | Y     |
| Taiwan-TC (models)                | TBD  | 1        | Y     |
| Hong Kong - TC (models)           | TBD  | 1        | Y     |
| Korean (models)                   | TBD  | 1        | Y     |
| Japanese (models)                 | TBD  | 1        | Y     |

| 8812 Windows XP Pro Recovery CDs | FRU# | CRU Tier | RoHS? |
|----------------------------------|------|----------|-------|
| US/UK/AP/TH (models)             | TBD  | 1        | Y     |
| FR/CF (models)                   | TBD  | 1        | Y     |
| GR (models)                      | TBD  | 1        | Y     |
| IT (models)                      | TBD  | 1        | Y     |
| BR (models)                      | TBD  | 1        | Y     |
| SP/LA (models)                   | TBD  | 1        | Y     |
| DK (models )                     | TBD  | 1        | Y     |
| NL (models)                      | TBD  | 1        | Y     |
| AE (models )                     | TBD  | 1        | Y     |
| SV (models )                     | TBD  | 1        | Y     |
| HE (models )                     | TBD  | 1        | Y     |
| FI (models)                      | TBD  | 1        | Y     |
| NO (models)                      | TBD  | 1        | Y     |
| PL (models)                      | TBD  | 1        | Y     |
| PO (models)                      | TBD  | 1        | Y     |
| RU (models)                      | TBD  | 1        | Y     |
| RE (models)                      | TBD  | 1        | Y     |
| HU (models)                      | TBD  | 1        | Y     |
| CZ (models)                      | TBD  | 1        | Y     |
| TR (models)                      | TBD  | 1        | Y     |

| 8812 Windows XP Pro Recovery CDs | FRU# | CRU Tier | RoHS? |
|----------------------------------|------|----------|-------|
| GK (models)                      | TBD  | 1        | Y     |
| Simplified Chinese (models)      | TBD  | 1        | Y     |
| Taiwan-TC (models)               | TBD  | 1        | Y     |
| Hong Kong - TC (models)          | TBD  | 1        | Y     |
| Korean (models)                  | TBD  | 1        | Y     |
| Japanese (models)                | TBD  | 1        | Y     |
| Multilingual 1 (models)          | TBD  | 1        | Y     |
| Multilingual 2 (models)          | TBD  | 1        | Y     |

## Machine Type 8813



| Item # | 8813 FRUs  | FRU#    | CRU Tier | RoHS? |
|--------|--|---------|----------|-------|
| 1      | Cover, Kensington lock (all models)                                      | 26K1263 | 1        | Y     |
| 2      | Power Supply (225 Watt) (models CTO 91U 91F 91G 91M 91T 91E 91J A1A A1T) | 41N3409 | 2        | Y     |



| Item # | 8813 FRUs   | FRU#    | CRU Tier | RoHS? |
|--------|---|---------|----------|-------|
| 2      | Power Supply (225 Watt) (models CTO 91U 91F 91G 91M 91T 91E 91J A1A A1T)  | 41A9629 | 2        | Y     |
| 2      | Power Supply - China (225 Watt) (models CTO-A 91S 91P 91L 91D 91Y 91Q 91C 91B 91H)  | 41N3413 | 2        | Y     |
| 2      | Power Supply - China (225 Watt) (models CTO-A 91S 91P 91L 91D 91Y 91Q 91C 91B 91H)  | 41A9635 | 2        | Y     |
| 2      | Power Supply - Japan (225 Watt) (models CTO-A)  | 41N3417 | 2        | Y     |
| 3      | CD-ROM 48X (models CTO)   | 41N3319 | 1        | Y     |
| 3      | CD-ROM 48X (models CTO)   | 41N3321 | 1        | Y     |
| 3      | DVD-ROM 16X/48X - Black (models CTO A1A A1T)  | 41N3323 | 1        | Y     |
| 3      | DVD-ROM 16X/48X - Black (models CTO A1A A1T)  | 41N3325 | 1        | Y     |
| 3      | CD-RW/DVD-ROM Combo Drive 48X/32X/48X/16X Max (models CTO 91U 91F 91S 91P 91L 91D 91Y 91G 91M 91Q 91T 91C 91B 91H 91E 91J)    | 41N3253 | 1        | Y     |
| 3      | CD-RW/DVD-ROM Combo Drive 48X/32X/48X/16X Max (models CTO 91U 91F 91S 91P 91L 91D 91Y 91G 91M 91Q 91T 91C 91B 91H 91E 91J)    | 41N3255 | 1        | Y     |
| 3      | DVD-RW/CD-RW - SATA (models CTO)  | 41N3347 | 1        | Y     |
| 4      | Hard Disk Drive 40GB 7200 rpm Serial ATA (models CTO)   | 40Y9033 | 1        | Y     |
| 4      | Hard Disk Drive 40GB 7200 rpm Serial ATA (models CTO)   | 40Y8760 | 1        | Y     |
| 4      | Hard Disk Drive 80GB 7200 rpm Serial ATA (models CTO 91U 91F 91S 91P 91L 91D 91Y 91G 91M 91Q 91T 91C 91B 91H 91E 91J A1A A1T) | 40Y9034 | 1        | Y     |
| 4      | Hard Disk Drive 80GB 7200 rpm Serial ATA (models CTO 91U 91F 91S 91P 91L 91D 91Y 91G 91M 91Q 91T 91C 91B 91H 91E 91J A1A A1T) | 40Y8761 | 1        | Y     |
| 4      | Hard Disk Drive 160GB 7200 rpm Serial ATA (models CTO)  | 40Y9035 | 1        | Y     |
| 4      | Hard Disk Drive 160GB 7200 rpm Serial ATA (models CTO)  | 40Y8762 | 1        | Y     |
| 4      | Hard Disk Drive 250GB 7200 rpm Serial ATA (models CTO)  | 40Y9036 | 1        | Y     |
| 4      | Hard Disk Drive 250GB 7200 rpm Serial ATA (models CTO)  | 40Y8763 | 1        | Y     |
| 5      | Rotating bay assembly (all models)  | 03R0285 | 2        | Y     |
| 6      | Plastic bezel kit (models)  | 41A7718 | 1        | Y     |
| 7      | Slim Diskette Drive, 1.44 MB 3 mode (without FDD cable and bezel ) (models CTO)   | 40Y9109 | 1        | Y     |
| 7      | Slim Diskette Drive, 1.44 MB 3 mode (without FDD cable and bezel ) (models CTO)   | 40Y9111 | 1        | Y     |
| 8      | Heat Sink, Side Car w/baffle, Lead Free (all models)  | 26K1258 | 2        | Y     |
| 8      | Heat Sink, (all models)   | 41A7705 | 2        | Y     |
| 9      | Microprocessor, Pentium 4 3.0 GHz 800 FSB 1MB L2 (models CTO A1A A1T)   | 41T1701 | N        | Y     |
| 9      | Microprocessor, Pentium 4 3.0 GHz 800 FSB 2MB L2 (models CTO)   | 41T1712 | N        | Y     |
| 9      | Microprocessor, Pentium 4 3.2 GHz 800 FSB 2MB L2 (models CTO)   | 41T1713 | N        | Y     |
| 9      | Microprocessor, Pentium 4 3.4 GHz 800 FSB 2MB L2 (models CTO)   | 41T1714 | N        | Y     |
| 9      | Microprocessor, Pentium 4 3.6 GHz 800 FSB 2MB L2 (models CTO)   | 41T1715 | N        | Y     |
| 9      | Microprocessor, Pentium D 2.8 GHz 800 FSB 2Mx2 L2 (models CTO)  | 41T1716 | N        | Y     |
| 9      | Microprocessor, Pentium D 3.0 GHz 800 FSB 2Mx2 L2 (models CTO)  | 41X2413 | N        | Y     |
| 9      | Microprocessor, Pentium D 3.0 GHz 800 FSB 2Mx2 L2 (models CTO)  | 41T1717 | N        | Y     |

| Item # | 8813 FRUs   | FRU#    | CRU Tier | RoHS? |
|--------|---|---------|----------|-------|
| 9      | Microprocessor, Pentium D 3.2 GHz 800 FSB 2Mx2 L2 (models CTO)  | 41X8050 | N        | Y     |
| 9      | Microprocessor, Conroe E6300 Processor 1.86GHz 1066MHz FSB 2M L2 (models CTO 91U 91F 91S 91P 91L 91D 91Y 91G 91M 91Q 91T 91C 91B 91H 91E 91J) | 41X2495 | N        | Y     |
| 9      | Microprocessor, Conroe E6400 Processor 2.13GHz 1066MHz FSB 2M L2 (models CTO)   | 41X2496 | N        | Y     |
| 9      | Microprocessor, Conroe E6600 Processor 2.40GHz 1066MHz FSB 4M L2 (models CTO)   | 41X5743 | N        | Y     |
| 9      | Microprocessor, Celeron D 2.53GHz 533MHz FSB 256KB L2 (models CTO)  | 41T1693 | N        | Y     |
| 9      | Microprocessor, Celeron D 2.66GHz 533MHz FSB 256KB L2 (models CTO)  | 41T1694 | N        | Y     |
| 9      | Microprocessor, Celeron D 2.80GHz 533MHz FSB 256KB L2 (models CTO)  | 41T1695 | N        | Y     |
| 9      | Microprocessor, Celeron D 2.93GHz 533MHz FSB 256KB L2 (models CTO)  | 41T1696 | N        | Y     |
| 9      | Microprocessor, Celeron D 3.06GHz 533MHz FSB 256KB L2 (models CTO)  | 41T1697 | N        | Y     |
| 9      | Microprocessor, Celeron D 3.20GHz 533MHz FSB 256KB L2 (models CTO)  | 41T1698 | N        | Y     |
| 9      | Microprocessor, Celeron D 3.33GHz 533MHz FSB 256KB L2 (models CTO)  | 41T1699 | N        | Y     |
| 9      | Microprocessor, Celeron D 3.20GHz 533MHz FSB 512KB L2 (models CTO)  | 41T4966 | N        | Y     |
| 9      | Microprocessor, Celeron D 3.33GHz 533MHz FSB 512KB L2 (models CTO)  | 41T4968 | N        | Y     |
| 10     | System Board (models CTO 91U 91F 91S 91P 91L 91D 91Y 91G 91M 91Q 91T 91C 91B 91H 91E 91J A1A A1T)   | 41T1435 | 2        | Y     |
| 10     | System Board (models CTO)   | 41T1431 | 2        | Y     |
| 11     | Memory - 256MB DDR2 SDRAM NP (PC 5300) (models CTO)   | 30R5124 | 1        | Y     |
| 11     | Memory - 512MB DDR2 SDRAM NP (PC 5300) (models CTO 91U 91F 91S 91P 91L 91D 91Y 91G 91M 91Q 91T 91C 91B 91H 91E 91J A1A A1T)                   | 30R5125 | 1        | Y     |
| 11     | Memory - 1GB DDR2 SDRAM NP (PC 5300) (models CTO)   | 30R5126 | 1        | Y     |
| 11     | Memory - 2GB DDR2 SDRAM NP (PC 5300) (models CTO)   | 30R5127 | 1        | Y     |
| 12     | Riser card assembly (all models)  | 41A7730 | 1        | Y     |
| 13     | Speaker/cable assembly (all models)   | 39K5012 | 1        | Y     |
| 14     | Chassis (all models)  | 41A7717 | 2        | Y     |

The FRUs listed in the following table are not illustrated.

| 8813 FRUs                                       | FRU#    | CRU Tier | RoHS? |
|---|---------|----------|-------|
| Hard disk drive tray (all models)               | 03R0302 | 2        | Y     |
| Floor stand and vertical deflector (all models) | 74P0404 | 2        | Y     |
| Internal plastic kit (all models)               | 03R0289 | 1        | Y     |
| Cable, SATA 18" (all models)                    | 26K1186 | 1        | Y     |
| Cable, SATA Device (all models)                 | 39K5026 | 1        | Y     |
| C2 Cable (Squall) (models)                      | 39K5022 | 1        | Y     |
| Cable, PWR/LED (all models)                     | 26K1242 | 1        | Y     |
| Cable, Diskette Drive (all models)              | 26K1248 | 1        | Y     |
| Fan assembly (all models)                       | 26K1253 | 2        | Y     |
| Kensington Lock Spacer (all models)             | 41A7702 | 2        | Y     |

| 8813 FRUs   | FRU#    | CRU Tier | RoHS? |
|---|---------|----------|-------|
| Universal Adapter Bracket 5.25 to 3.5-inch (all models) | 32P4743 | 1        | Y     |
| Retention module, tool less heat sink (all models)      | 26K1281 | 2        | Y     |
| Shield, system board (all models)                       | 41A7719 | 2        | Y     |

| 8813 Keyboards (USB Preferred - without hub)            | FRU#    | CRU Tier | RoHS? |
|---|---------|----------|-------|
| US English (models 91U 91L 91G 91M 91Q 91C 91H 91E A1A) | 41A5289 | 1        | Y     |
| Arabic (models 91G)                                     | 41A5290 | 1        | Y     |
| Arabic/French (models 91G)                              | 41A5291 | 1        | Y     |
| Belgian/French (models 91G)                             | 41A5292 | 1        | Y     |
| Belgian/UK (models 91G)                                 | 41A5293 | 1        | Y     |
| Brazilian (models 91P)                                  | 41A5294 | 1        | Y     |
| Bulgarian (models 91G)                                  | 41A5295 | 1        | Y     |
| Chinese/US (models 91B 91V)                             | 41A5296 | 1        | Y     |
| Czech (models 91G)                                      | 41A5297 | 1        | Y     |
| Danish (models 91G)                                     | 41A5298 | 1        | Y     |
| Dutch (models 91G)                                      | 41A5299 | 1        | Y     |
| French (models 91G)                                     | 41A5300 | 1        | Y     |
| French Canadian 445 (models 91F)                        | 41A5301 | 1        | Y     |
| French Canadian 58 (models 91F)                         | 41A5302 | 1        | Y     |
| German (models 91G)                                     | 41A5303 | 1        | Y     |
| Greek (models 91G)                                      | 41A5304 | 1        | Y     |
| Greek/US (models 91G)                                   | 41A5305 | 1        | Y     |
| Hebrew (models 91G)                                     | 41A5306 | 1        | Y     |
| Hungarian (models 91G)                                  | 41A5307 | 1        | Y     |
| Iceland (models 91G)                                    | 41A5308 | 1        | Y     |
| Italian 141 (models 91G)                                | 41A5309 | 1        | Y     |
| Japanese (models 91J)                                   | 41A5310 | 1        | Y     |
| LA Spanish (models 91S 91D 91Y)                         | 41A5312 | 1        | Y     |
| Norwegian (models 91G)                                  | 41A5313 | 1        | Y     |
| Polish (models 91G)                                     | 41A5314 | 1        | Y     |
| Portuguese (models 91G)                                 | 41A5315 | 1        | Y     |
| Romanian 096 (models 91G)                               | 41A5317 | 1        | Y     |
| Romanian 446 (models 91G)                               | 41A5316 | 1        | Y     |
| Russian/Cyrillic (models 91G)                           | 41A5318 | 1        | Y     |
| Serbian/Cyrillic (models 91G)                           | 41A5319 | 1        | Y     |
| Slovak (models 91G)                                     | 41A5320 | 1        | Y     |
| Spanish (models 91G)                                    | 41A5321 | 1        | Y     |
| Swedish/Finn (models 91G)                               | 41A5322 | 1        | Y     |
| Swiss (models 91G)                                      | 41A5323 | 1        | Y     |

| <b>8813 Keyboards (USB Preferred - without hub)</b> | <b>FRU#</b> | <b>CRU Tier</b> | <b>RoHS?</b> |
|---|-------------|-----------------|--------------|
| Thailand (models 91T A1T)                           | 41A5324     | 1               | Y            |
| Turkish 440 (models 91G)                            | 41A5325     | 1               | Y            |
| Turkish 179 (models 91G)                            | 41A5326     | 1               | Y            |
| UK English (models 91G)                             | 41A5327     | 1               | Y            |
| US Euro (models 91G)                                | 41A5328     | 1               | Y            |
| Slovenian (models 91G)                              | 41A5329     | 1               | Y            |

| <b>8813 Mice</b>                                      | <b>FRU#</b> | <b>CRU Tier</b> | <b>RoHS?</b> |
|---|-------------|-----------------|--------------|
| Mouse, Optical Wheel (400DPI, USB) (all models)       | 41U3013     | 1               | Y            |
| Mouse, ScrollPoint Optical (800DPI, USB) (models CTO) | 41U3019     | 1               | Y            |

| <b>8813 Wireless I/O</b>       | <b>FRU#</b> | <b>CRU Tier</b> | <b>RoHS?</b> |
|--------------------------------|-------------|-----------------|--------------|
| Wireless Keyboard (models CTO) | 41A5219     | 1               | Y            |
| Wireless Mouse (models CTO)    | 41A5247     | 1               | Y            |
| Transceiver (USB) (models CTO) | 41A5246     | 1               | Y            |

| <b>8813 Adapters and miscellaneous FRUs</b>                | <b>FRU#</b> | <b>CRU Tier</b> | <b>RoHS?</b> |
|--|-------------|-----------------|--------------|
| Soft Modem V.90/V.44 (models CTO)                          | 29R9729     | 1               | Y            |
| 256MB PCIe x16, full height (models CTO)                   | 41T2725     | 1               | Y            |
| 128MB DDR ATI Radeon x300SE (DMS59 connector) (models CTO) | 39J9635     | 1               | Y            |
| PCI-E DVI-DConnection Adapter (Full Height) (models CTO)   | 39J9334     | 1               | Y            |
| IEEE 1394 Firewire Adapter - full height (models CTO)      | 41D2781     | 1               | Y            |
| Thermal grease syringe (models CTO)                        | 91P8835     | 1               | Y            |

| <b>8813 Power Cords</b>  | <b>FRU#</b> | <b>CRU Tier</b> | <b>RoHS?</b> |
|--|-------------|-----------------|--------------|
| Power Cord (US) (models CTO-U 91U 91F 91S 91L 91D 91T A1A A1T)                     | 39M5080     | 1               | Y            |
| Power Cord (China) (models CTO-A 91C)  | 39M5205     | 1               | Y            |
| Power Cord (Japan) (models CTO-A 91E 91J)  | 39M5193     | 1               | Y            |
| Power Cord (Brazil) (models CTO-L 91P)   | 39M5232     | 1               | Y            |
| Power Cord (LA), (High Volt) (APU) (models CTO-L 91L 91Y)                          | 39M5067     | 1               | Y            |
| Power Cord (Australia, New Zealand) (models CTO-A 91M)                             | 39M5102     | 1               | Y            |
| Power Cord (Korea) (models CTO-A)  | 39M5212     | 1               | Y            |
| Power Cord (Hong Kong) (models CTO-A 91B 91H)                                      | 39M5151     | 1               | Y            |
| Power Cord (UK, Ireland, Singapore, Malaysia, Brunei) (models CTO-G CTO-A 91G A1A) | 39M5150     | 1               | Y            |
| Power Cord (Taiwan) (models CTO-A 91V)   | 39M5246     | 1               | Y            |
| Power Cord (Italy) (models CTO-G 91S 91L 91Y 91G)                                  | 39M5164     | 1               | Y            |

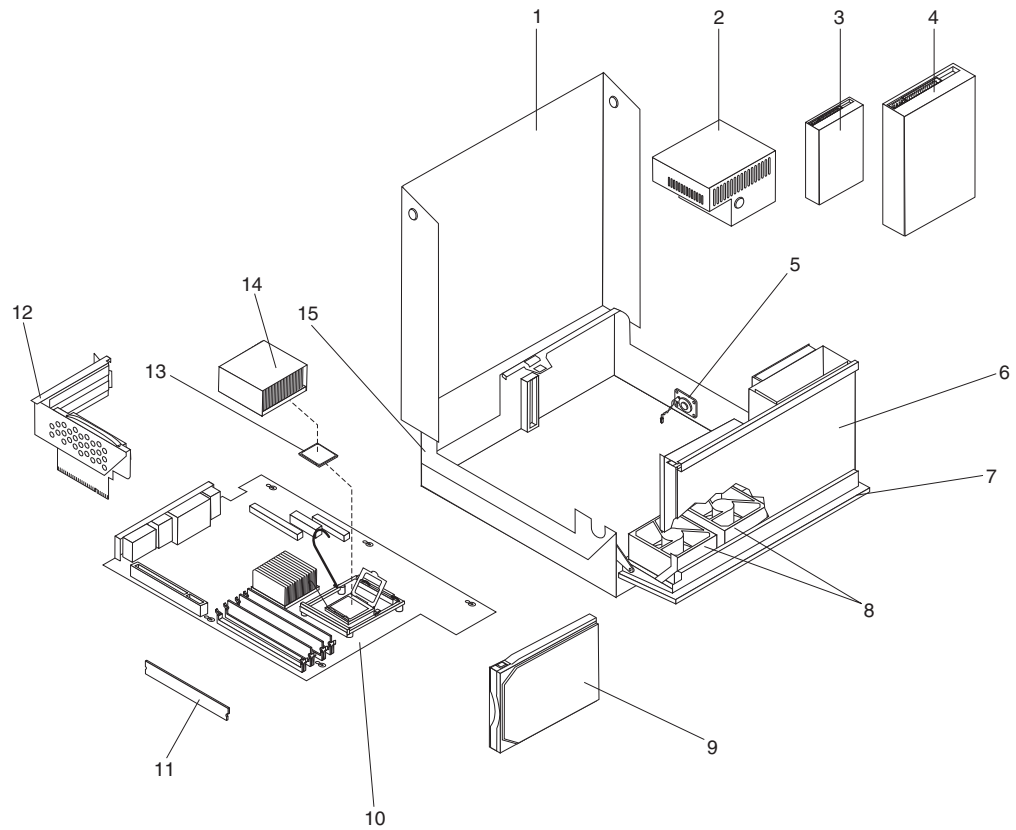
| <b>8813 Power Cords</b>                              | <b>FRU#</b> | <b>CRU Tier</b> | <b>RoHS?</b> |
|--|-------------|-----------------|--------------|
| Power Cord (G models) (models CTO-G CTO-A 91G A1A)   | 39M5122     | 1               | Y            |
| Power Cord (Denmark) (models CTO-G 91G)              | 39M5129     | 1               | Y            |
| Power Cord (Switzerland) (models CTO-G 91G)          | 39M5157     | 1               | Y            |
| Power Cord (Israel) (models CTO-G 91G)               | 39M5171     | 1               | Y            |
| Power Cord (South Africa) (models CTO-G 91G 91M A1A) | 39M5143     | 1               | Y            |
| Power Cord (India) (models CTO-A 91Q)                | 39M5004     | 1               | Y            |

| <b>8813 Windows XP Home Recovery CDs</b> | <b>FRU#</b> | <b>CRU Tier</b> | <b>RoHS?</b> |
|--|-------------|-----------------|--------------|
| US/UK/AP/TH (models)                     | TBD         | 1               | Y            |
| FR/CF (models)                           | TBD         | 1               | Y            |
| GR (models)                              | TBD         | 1               | Y            |
| IT (models)                              | TBD         | 1               | Y            |
| BR (models)                              | TBD         | 1               | Y            |
| SP/LA (models)                           | TBD         | 1               | Y            |
| DK (models )                             | TBD         | 1               | Y            |
| NL (models)                              | TBD         | 1               | Y            |
| AE (models )                             | TBD         | 1               | Y            |
| SV (models )                             | TBD         | 1               | Y            |
| HE (models )                             | TBD         | 1               | Y            |
| FI (models)                              | TBD         | 1               | Y            |
| NO (models)                              | TBD         | 1               | Y            |
| PL (models)                              | TBD         | 1               | Y            |
| PO (models)                              | TBD         | 1               | Y            |
| RU (models)                              | TBD         | 1               | Y            |
| RE (models)                              | TBD         | 1               | Y            |
| HU (models)                              | TBD         | 1               | Y            |
| CZ (models)                              | TBD         | 1               | Y            |
| TR (models)                              | TBD         | 1               | Y            |
| GK (models)                              | TBD         | 1               | Y            |
| Simplified Chinese (models)              | TBD         | 1               | Y            |
| Taiwan-TC (models)                       | TBD         | 1               | Y            |
| Hong Kong - TC (models)                  | TBD         | 1               | Y            |
| Korean (models)                          | TBD         | 1               | Y            |
| Japanese (models)                        | TBD         | 1               | Y            |

| <b>8813 Windows XP Pro Recovery CDs</b> | <b>FRU#</b> | <b>CRU Tier</b> | <b>RoHS?</b> |
|---|-------------|-----------------|--------------|
| US/UK/AP/TH (models)                    | TBD         | 1               | Y            |
| FR/CF (models)                          | TBD         | 1               | Y            |
| GR (models)                             | TBD         | 1               | Y            |
| IT (models)                             | TBD         | 1               | Y            |

| 8813 Windows XP Pro Recovery CDs | FRU# | CRU Tier | RoHS? |
|----------------------------------|------|----------|-------|
| BR (models)                      | TBD  | 1        | Y     |
| SP/LA (models)                   | TBD  | 1        | Y     |
| DK (models )                     | TBD  | 1        | Y     |
| NL (models)                      | TBD  | 1        | Y     |
| AE (models )                     | TBD  | 1        | Y     |
| SV (models )                     | TBD  | 1        | Y     |
| HE (models )                     | TBD  | 1        | Y     |
| FI (models)                      | TBD  | 1        | Y     |
| NO (models)                      | TBD  | 1        | Y     |
| PL (models)                      | TBD  | 1        | Y     |
| PO (models)                      | TBD  | 1        | Y     |
| RU (models)                      | TBD  | 1        | Y     |
| RE (models)                      | TBD  | 1        | Y     |
| HU (models)                      | TBD  | 1        | Y     |
| CZ (models)                      | TBD  | 1        | Y     |
| TR (models)                      | TBD  | 1        | Y     |
| GK (models)                      | TBD  | 1        | Y     |
| Simplified Chinese (models)      | TBD  | 1        | Y     |
| Taiwan-TC (models)               | TBD  | 1        | Y     |
| Hong Kong - TC (models)          | TBD  | 1        | Y     |
| Korean (models)                  | TBD  | 1        | Y     |
| Japanese (models)                | TBD  | 1        | Y     |
| Multilingual 1 (models)          | TBD  | 1        | Y     |
| Multilingual 2 (models)          | TBD  | 1        | Y     |

# Machine Type 8814



| Item # | 8814 FRUs  | FRU#    | CRU Tier | RoHS? |
|--------|--|---------|----------|-------|
| 1      | Top cover (all models)   | 39M0581 | 2        | Y     |
| 2      | Power Supply (225 Watt) (models CTO 91U 91F 91G 91M 91A 91T 91K 91R 91E 91J)   | 41N3432 | 2        | Y     |
| 2      | Power Supply - China (225 Watt) (models CTO-A 91S 91P 91L 91D 91Y 91Q 91C 91B 91H 91V)                               | 41N3436 | 2        | Y     |
| 2      | Power Supply - Japan (225 Watt) (models CTO-A)   | 41N3441 | 2        | Y     |
| 3      | Diskette drive, 3.5" 1.44MB 2-mode (models CTO)  | 40Y9107 | 1        | Y     |
| 3      | Diskette drive, 3.5" 1.44MB 2-mode (models CTO )   | 40Y9105 | 1        | Y     |
| 4      | CD-ROM 48X (models CTO)  | 41N3319 | 1        | Y     |
| 4      | CD-ROM 48X (models CTO)  | 41N3321 | 1        | Y     |
| 4      | DVD-ROM 16X/48X - Black (models CTO 91U 91F 91S 91P 91L 91D 91Y 91G 91M 91A 91Q 91T 91C 91B 91H 91V 91K 91R 91E 91J) | 41N3323 | 1        | Y     |
| 4      | DVD-ROM 16X/48X - Black (models CTO 91U 91F 91S 91P 91L 91D 91Y 91G 91M 91A 91Q 91T 91C 91B 91H 91V 91K 91R 91E 91J) | 41N3325 | 1        | Y     |
| 4      | CD-RW/DVD-ROM Combo Drive 48X/32X/48X/16X Max (models CTO)   | 41N3253 | 1        | Y     |
| 4      | CD-RW/DVD-ROM Combo Drive 48X/32X/48X/16X Max (models CTO)   | 41N3255 | 1        | Y     |
| 4      | DVD-RW/CD-RW - SATA (models CTO)   | 41N3347 | 1        | Y     |
| 5      | Speaker/cable assembly (all models)  | 39K5012 | 1        | Y     |
| 6      | Rotating cage assembly (all models)  | 41N5324 | 2        | Y     |

| Item # | 8814 FRUs   | FRU#    | CRU Tier | RoHS? |
|--------|---|---------|----------|-------|
| 7      | Bezel Kit (all models)  | 41N5322 | 1        | Y     |
| 8      | Front fan and bracket assembly (all models)   | 39M0585 | 2        | Y     |
| 9      | Hard Disk Drive 40GB 7200 rpm Serial ATA (models CTO)   | 40Y9033 | 1        | Y     |
| 9      | Hard Disk Drive 40GB 7200 rpm Serial ATA (models CTO)   | 40Y8760 | 1        | Y     |
| 9      | Hard Disk Drive 80GB 7200 rpm Serial ATA (models CTO 91U 91F 91S 91P 91L 91D 91Y 91G 91M 91A 91Q 91T 91C 91B 91H 91V 91K 91R 91E 91J)                         | 40Y9034 | 1        | Y     |
| 9      | Hard Disk Drive 80GB 7200 rpm Serial ATA (models CTO 91U 91F 91S 91P 91L 91D 91Y 91G 91M 91A 91Q 91T 91C 91B 91H 91V 91K 91R 91E 91J)                         | 40Y8761 | 1        | Y     |
| 9      | Hard Disk Drive 160GB 7200 rpm Serial ATA (models CTO)  | 40Y9035 | 1        | Y     |
| 9      | Hard Disk Drive 160GB 7200 rpm Serial ATA (models CTO)  | 40Y8762 | 1        | Y     |
| 9      | Hard Disk Drive 250GB 7200 rpm Serial ATA (models CTO)  | 40Y9036 | 1        | Y     |
| 9      | Hard Disk Drive 250GB 7200 rpm Serial ATA (models CTO)  | 40Y8763 | 1        | Y     |
| 10     | System Board (models CTO 91U 91F 91S 91P 91L 91D 91Y 91G 91M 91A 91Q 91T 91C 91B 91H 91V 91K 91R 91E 91J)   | 41T1434 | 2        | Y     |
| 11     | Memory - 256MB DDR2 SDRAM NP (PC 5300) (models CTO)   | 30R5124 | 1        | Y     |
| 11     | Memory - 512MB DDR2 SDRAM NP (PC 5300) (models CTO 91U 91F 91S 91P 91L 91D 91Y 91G 91M 91A 91Q 91T 91C 91B 91H 91V 91K 91R 91E 91J)                           | 30R5125 | 1        | Y     |
| 11     | Memory - 1GB DDR2 SDRAM NP (PC 5300) (models CTO)   | 30R5126 | 1        | Y     |
| 11     | Memory - 2GB DDR2 SDRAM NP (PC 5300) (models CTO)   | 30R5127 | 1        | Y     |
| 12     | Riser card and bracket assembly (all models)  | 39M0587 | 1        | Y     |
| 13     | Microprocessor, Pentium 4 3.0 GHz 800 FSB 2MB L2 (models CTO)   | 41T1712 | N        | Y     |
| 13     | Microprocessor, Pentium 4 3.2 GHz 800 FSB 2MB L2 (models CTO)   | 41T1713 | N        | Y     |
| 13     | Microprocessor, Pentium 4 3.4 GHz 800 FSB 2MB L2 (models CTO)   | 41T1714 | N        | Y     |
| 13     | Microprocessor, Pentium 4 3.6 GHz 800 FSB 2MB L2 (models CTO)   | 41T1715 | N        | Y     |
| 13     | Microprocessor, Pentium D 2.8 GHz 800 FSB 2Mx2 L2 (models CTO)  | 41T1716 | N        | Y     |
| 13     | Microprocessor, Pentium D 3.0 GHz 800 FSB 2Mx2 L2 (models CTO )   | 41X2413 | N        | Y     |
| 13     | Microprocessor, Pentium D 3.0 GHz 800 FSB 2Mx2 L2 (models CTO)  | 41T1717 | N        | Y     |
| 13     | Microprocessor, Pentium D 3.2 GHz 800 FSB 2Mx2 L2 (models CTO)  | 41X8050 | N        | Y     |
| 13     | Microprocessor, Conroe E6300 Processor 1.86GHz 1066MHz FSB 2M L2 (models CTO 91U 91F 91S 91P 91L 91D 91Y 91G 91M 91A 91Q 91T 91C 91B 91H 91V 91K 91R 91E 91J) | 41X2495 | N        | Y     |
| 13     | Microprocessor, Conroe E6400 Processor 2.13GHz 1066MHz FSB 2M L2 (models CTO)   | 41X2496 | N        | Y     |
| 13     | Microprocessor, Conroe E6600 Processor 2.40GHz 1066MHz FSB 4M L2 (models CTO)   | 41X5743 | N        | Y     |
| 13     | Microprocessor, Celeron D 2.53GHz 533MHz FSB 256KB L2 (models CTO)  | 41T1693 | N        | Y     |
| 13     | Microprocessor, Celeron D 2.66GHz 533MHz FSB 256KB L2 (models CTO)  | 41T1694 | N        | Y     |
| 13     | Microprocessor, Celeron D 2.80GHz 533MHz FSB 256KB L2 (models CTO)  | 41T1695 | N        | Y     |
| 13     | Microprocessor, Celeron D 2.93GHz 533MHz FSB 256KB L2 (models CTO)  | 41T1696 | N        | Y     |
| 13     | Microprocessor, Celeron D 3.06GHz 533MHz FSB 256KB L2 (models CTO)  | 41T1697 | N        | Y     |
| 13     | Microprocessor, Celeron D 3.20GHz 533MHz FSB 256KB L2 (models CTO)  | 41T1698 | N        | Y     |
| 13     | Microprocessor, Celeron D 3.33GHz 533MHz FSB 256KB L2 (models CTO)  | 41T1699 | N        | Y     |



| Item # | 8814 FRUs  | FRU#    | CRU Tier | RoHS? |
|--------|--|---------|----------|-------|
| 13     | Microprocessor, Celeron D 3.20GHz 533MHz FSB 512KB L2 (models CTO) | 41T4966 | N        | Y     |
| 13     | Microprocessor, Celeron D 3.33GHz 533MHz FSB 512KB L2 (models CTO) | 41T4968 | N        | Y     |
| 14     | Heat Sink and Retention Module kit (all models)                    | 41A7713 | 2        | Y     |
| 15     | Mechanical base (all models)                                       | 41R4841 | 2        | Y     |

The FRUs listed in the following table are not illustrated.

| 8814 FRUs   | FRU#    | CRU Tier | RoHS? |
|---|---------|----------|-------|
| Hard disk drive bracket assembly (all models)                 | 39M0578 | 1        | Y     |
| Power switch/LED cable assembly (all models)                  | 39M0580 | 2        | Y     |
| SATA cable assembly (all models)                              | 39K0526 | 1        | Y     |
| Optical cable, 1 drop (all models)                            | 39M0584 | 1        | Y     |
| Miscellaneous parts kit (all models)                          | 39M0588 | 1        | Y     |
| Vertical stand (all models)                                   | 39M0589 | 1        | Y     |
| Bezel assembly, optical rotating (all models)                 | 39M0592 | 2        | Y     |
| EMC Shield kit (diskette drive and optical bays) (all models) | 41N5325 | 1        | Y     |
| EMC Shield, system board (all models)                         | 41N5326 | 1        | Y     |
| Cable asm, diskette drive (all models)                        | 41N8269 | 1        | Y     |
| Thermal sense cable (460 mm) (all models)                     | 41R2509 | 1        | Y     |
| Universal Adapter Bracket 5.25 to 3.5-inch (all models)       | 32P4743 | 1        | Y     |

| 8814 Keyboards (USB Preferred - without hub)                | FRU#    | CRU Tier | RoHS? |
|---|---------|----------|-------|
| US English (models 91U 91L 91G 91M 91A 91Q 91C 91H 91R 91E) | 41A5289 | 1        | Y     |
| Arabic (models 91G)   | 41A5290 | 1        | Y     |
| Arabic/French (models 91G)                                  | 41A5291 | 1        | Y     |
| Belgian/French (models 91G)                                 | 41A5292 | 1        | Y     |
| Belgian/UK (models 91G)                                     | 41A5293 | 1        | Y     |
| Brazilian (models 91P)                                      | 41A5294 | 1        | Y     |
| Bulgarian (models 91G)                                      | 41A5295 | 1        | Y     |
| Chinese/US (models 91B 91V)                                 | 41A5296 | 1        | Y     |
| Czech (models 91G)  | 41A5297 | 1        | Y     |
| Danish (models 91G)   | 41A5298 | 1        | Y     |
| Dutch (models 91G)  | 41A5299 | 1        | Y     |
| French (models 91G)   | 41A5300 | 1        | Y     |
| French Canadian 445 (models 91F)                            | 41A5301 | 1        | Y     |
| French Canadian 58 (models 91F)                             | 41A5302 | 1        | Y     |
| German (models 91G)   | 41A5303 | 1        | Y     |
| Greek (models 91G)  | 41A5304 | 1        | Y     |
| Greek/US (models 91G)                                       | 41A5305 | 1        | Y     |

| <b>8814 Keyboards (USB Preferred - without hub)</b> | <b>FRU#</b> | <b>CRU Tier</b> | <b>RoHS?</b> |
|---|-------------|-----------------|--------------|
| Hebrew (models 91G)                                 | 41A5306     | 1               | Y            |
| Hungarian (models 91G)                              | 41A5307     | 1               | Y            |
| Iceland (models 91G)                                | 41A5308     | 1               | Y            |
| Italian 141 (models 91G)                            | 41A5309     | 1               | Y            |
| Japanese (models 91J)                               | 41A5310     | 1               | Y            |
| Korean (models 91K)                                 | 41A5311     | 1               | Y            |
| LA Spanish (models 91S 91D 91Y)                     | 41A5312     | 1               | Y            |
| Norwegian (models 91G)                              | 41A5313     | 1               | Y            |
| Polish (models 91G)                                 | 41A5314     | 1               | Y            |
| Portuguese (models 91G)                             | 41A5315     | 1               | Y            |
| Romanian 096 (models 91G)                           | 41A5317     | 1               | Y            |
| Romanian 446 (models 91G)                           | 41A5316     | 1               | Y            |
| Russian/Cyrillic (models 91G)                       | 41A5318     | 1               | Y            |
| Serbian/Cyrillic (models 91G)                       | 41A5319     | 1               | Y            |
| Slovak (models 91G)                                 | 41A5320     | 1               | Y            |
| Spanish (models 91G)                                | 41A5321     | 1               | Y            |
| Swedish/Finn (models 91G)                           | 41A5322     | 1               | Y            |
| Swiss (models 91G)                                  | 41A5323     | 1               | Y            |
| Thailand (models 91T)                               | 41A5324     | 1               | Y            |
| Turkish 440 (models 91G)                            | 41A5325     | 1               | Y            |
| Turkish 179 (models 91G)                            | 41A5326     | 1               | Y            |
| UK English (models 91G)                             | 41A5327     | 1               | Y            |
| US Euro (models 91G)                                | 41A5328     | 1               | Y            |
| Slovenian (models 91G)                              | 41A5329     | 1               | Y            |

| <b>8814 Mice</b>                                      | <b>FRU#</b> | <b>CRU Tier</b> | <b>RoHS?</b> |
|---|-------------|-----------------|--------------|
| Mouse, Optical Wheel (400DPI, USB) (all models)       | 41U3013     | 1               | Y            |
| Mouse, ScrollPoint Optical (800DPI, USB) (models CTO) | 41U3019     | 1               | Y            |

| <b>8814 Wireless I/O</b>       | <b>FRU#</b> | <b>CRU Tier</b> | <b>RoHS?</b> |
|--------------------------------|-------------|-----------------|--------------|
| Wireless Keyboard (models CTO) | 41A5219     | 1               | Y            |
| Wireless Mouse (models CTO)    | 41A5247     | 1               | Y            |
| Transceiver (USB) (models CTO) | 41A5246     | 1               | Y            |

| <b>8814 Adapters and miscellaneous FRUs</b>            | <b>FRU#</b> | <b>CRU Tier</b> | <b>RoHS?</b> |
|--|-------------|-----------------|--------------|
| Soft Modem V.90/V.44 (models CTO)                      | 29R9729     | 1               | Y            |
| 256MB PCIe x16, full height (models CTO)               | 41T2725     | 1               | Y            |
| 128MB DDR ATI Radeon x300SE (DMS59 connector) (models) | 39J9635     | 1               | Y            |

| <b>8814 Adapters and miscellaneous FRUs</b>              | <b>FRU#</b> | <b>CRU Tier</b> | <b>RoHS?</b> |
|--|-------------|-----------------|--------------|
| PCI-E DVI-DConnection Adapter (Full Height) (models CTO) | 39J9334     | 1               | Y            |
| IEEE 1394 Firewire Adapter - full height (models CTO)    | 41D2781     | 1               | Y            |
| Thermal grease syringe (models CTO)                      | 91P8835     | 1               | Y            |

| <b>8814 Power Cords</b>  | <b>FRU#</b> | <b>CRU Tier</b> | <b>RoHS?</b> |
|--|-------------|-----------------|--------------|
| Power Cord (US) (models CTO-U 91U 91F 91S 91L 91D 91A 91T)                         | 39M5080     | 1               | Y            |
| Power Cord (China) (models CTO-A 91C)  | 39M5205     | 1               | Y            |
| Power Cord (Japan) (models CTO-A 91E 91J)  | 39M5193     | 1               | Y            |
| Power Cord (Brazil) (models CTO-L 91P)   | 39M5232     | 1               | Y            |
| Power Cord (LA), (High Volt) (APU) (models CTO-L 91L 91Y)                          | 39M5067     | 1               | Y            |
| Power Cord (Australia, New Zealand) (models CTO-A 91M)                             | 39M5102     | 1               | Y            |
| Power Cord (Korea) (models CTO-A 91K 91R)  | 39M5212     | 1               | Y            |
| Power Cord (Hong Kong) (models CTO-A 91B 91H)                                      | 39M5151     | 1               | Y            |
| Power Cord (UK, Ireland, Singapore, Malaysia, Brunei) (models CTO-G CTO-A 91G 91A) | 39M5150     | 1               | Y            |
| Power Cord (Taiwan) (models CTO-A 91V)   | 39M5246     | 1               | Y            |
| Power Cord (Italy) (models CTO-G 91S 91L 91Y 91G)                                  | 39M5164     | 1               | Y            |
| Power Cord (G models) (models CTO-G CTO-A 91G 91A)                                 | 39M5122     | 1               | Y            |
| Power Cord (Denmark) (models CTO-G 91G)  | 39M5129     | 1               | Y            |
| Power Cord (Switzerland) (models CTO-G 91G)  | 39M5157     | 1               | Y            |
| Power Cord (Israel) (models CTO-G 91G)   | 39M5171     | 1               | Y            |
| Power Cord (South Africa) (models CTO-G 91G 91M 91A)                               | 39M5143     | 1               | Y            |
| Power Cord (India) (models CTO-A 91Q)  | 39M5004     | 1               | Y            |

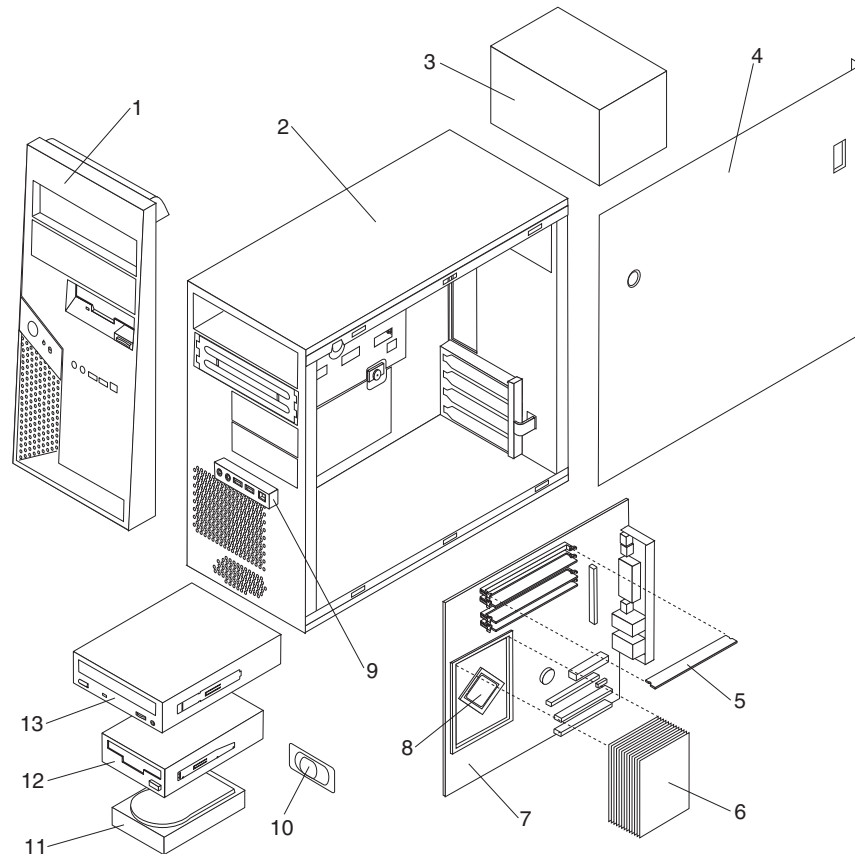
| <b>8814 Windows XP Home Recovery CDs</b> | <b>FRU#</b> | <b>CRU Tier</b> | <b>RoHS?</b> |
|--|-------------|-----------------|--------------|
| US/UK/AP/TH (models)                     | TBD         | 1               | Y            |
| FR/CF (models)                           | TBD         | 1               | Y            |
| GR (models)                              | TBD         | 1               | Y            |
| IT (models)                              | TBD         | 1               | Y            |
| BR (models)                              | TBD         | 1               | Y            |
| SP/LA (models)                           | TBD         | 1               | Y            |
| DK (models )                             | TBD         | 1               | Y            |
| NL (models)                              | TBD         | 1               | Y            |
| AE (models )                             | TBD         | 1               | Y            |
| SV (models )                             | TBD         | 1               | Y            |
| HE (models )                             | TBD         | 1               | Y            |
| FI (models)                              | TBD         | 1               | Y            |
| NO (models)                              | TBD         | 1               | Y            |
| PL (models)                              | TBD         | 1               | Y            |

| 8814 Windows XP Home Recovery CDs | FRU# | CRU Tier | RoHS? |
|-----------------------------------|------|----------|-------|
| PO (models)                       | TBD  | 1        | Y     |
| RU (models)                       | TBD  | 1        | Y     |
| RE (models)                       | TBD  | 1        | Y     |
| HU (models)                       | TBD  | 1        | Y     |
| CZ (models)                       | TBD  | 1        | Y     |
| TR (models)                       | TBD  | 1        | Y     |
| GK (models)                       | TBD  | 1        | Y     |
| Simplified Chinese (models)       | TBD  | 1        | Y     |
| Taiwan-TC (models)                | TBD  | 1        | Y     |
| Hong Kong - TC (models)           | TBD  | 1        | Y     |
| Korean (models)                   | TBD  | 1        | Y     |
| Japanese (models)                 | TBD  | 1        | Y     |

| 8814 Windows XP Pro Recovery CDs | FRU# | CRU Tier | RoHS? |
|----------------------------------|------|----------|-------|
| US/UK/AP/TH (models)             | TBD  | 1        | Y     |
| FR/CF (models)                   | TBD  | 1        | Y     |
| GR (models)                      | TBD  | 1        | Y     |
| IT (models)                      | TBD  | 1        | Y     |
| BR (models)                      | TBD  | 1        | Y     |
| SP/LA (models)                   | TBD  | 1        | Y     |
| DK (models )                     | TBD  | 1        | Y     |
| NL (models)                      | TBD  | 1        | Y     |
| AE (models )                     | TBD  | 1        | Y     |
| SV (models )                     | TBD  | 1        | Y     |
| HE (models )                     | TBD  | 1        | Y     |
| FI (models)                      | TBD  | 1        | Y     |
| NO (models)                      | TBD  | 1        | Y     |
| PL (models)                      | TBD  | 1        | Y     |
| PO (models)                      | TBD  | 1        | Y     |
| RU (models)                      | TBD  | 1        | Y     |
| RE (models)                      | TBD  | 1        | Y     |
| HU (models)                      | TBD  | 1        | Y     |
| CZ (models)                      | TBD  | 1        | Y     |
| TR (models)                      | TBD  | 1        | Y     |
| GK (models)                      | TBD  | 1        | Y     |
| Simplified Chinese (models)      | TBD  | 1        | Y     |
| Taiwan-TC (models)               | TBD  | 1        | Y     |
| Hong Kong - TC (models)          | TBD  | 1        | Y     |
| Korean (models)                  | TBD  | 1        | Y     |

| 8814 Windows XP Pro Recovery CDs | FRU# | CRU Tier | RoHS? |
|----------------------------------|------|----------|-------|
| Japanese (models)                | TBD  | 1        | Y     |
| Multilingual 1 (models)          | TBD  | 1        | Y     |
| Multilingual 2 (models)          | TBD  | 1        | Y     |

## Machine Type 8816



| Item # | 8816 FRUs   | FRU#    | CRU Tier | RoHS? |
|--------|---|---------|----------|-------|
| 1      | Bezel Asm (all models)  | 41A7857 | 1        | Y     |
| 2      | Chassis Asm (all models)  | 41A7863 | N        | Y     |
| 3      | Power supply, 310 W, standard (models CTO 81U 81F 81G 81M 81A 81T 81K 81R 81E 81J)  | 41N3449 | 2        | Y     |
| 3      | Power supply, 310 W, China (models CTO-A 81S 81P 81L 81D 81Y 81Q 81C 81B 81H 81V)   | 41N3452 | 2        | Y     |
| 3      | Power supply, 310 W, Japan (models CTO-A)   | 41N3456 | 2        | Y     |
| 4      | Cover (all models)  | 39M0465 | 1        | Y     |
| 5      | Memory - 256MB DDR2 SDRAM NP (PC 5300) (models CTO)   | 30R5124 | 1        | Y     |
| 5      | Memory - 512MB DDR2 SDRAM NP (PC 5300) (models CTO 81U 81F 81S 81P 81L 81D 81Y 81G 81M 81A 81Q 81T 81C 81B 81H 81V 81K 81R 81E 81J) | 30R5125 | 1        | Y     |

| Item # | 8816 FRUs  | FRU#    | CRU Tier | RoHS? |
|--------|--|---------|----------|-------|
| 5      | Memory - 1GB DDR2 SDRAM NP (PC 5300) (models CTO)  | 30R5126 | 1        | Y     |
| 5      | Memory - 2GB DDR2 SDRAM NP (PC 5300) (models CTO)  | 30R5127 | 1        | Y     |
| 6      | Heat sink, aluminum (all models)   | 41A7855 | 2        | Y     |
| 7      | System board (G), (models CTO 81U 81F 81S 81P 81L 81D 81Y 81G 81M 81A 81Q 81T 81C 81B 81H 81V 81K 81R 81E 81J)                                 | 41T1432 | N        | Y     |
| 7      | System board (AMT), (models CTO)   | 41X2406 | N        | Y     |
| 8      | Microprocessor, Pentium 4 3.0 GHz 800 FSB 2MB L2 (models CTO)  | 41T1712 | N        | Y     |
| 8      | Microprocessor, Pentium 4 3.2 GHz 800 FSB 2MB L2 (models CTO)  | 41T1713 | N        | Y     |
| 8      | Microprocessor, Pentium 4 3.4 GHz 800 FSB 2MB L2 (models CTO)  | 41T1714 | N        | Y     |
| 8      | Microprocessor, Pentium 4 3.6 GHz 800 FSB 2MB L2 (models CTO)  | 41T1715 | N        | Y     |
| 8      | Microprocessor, Pentium D 2.8 GHz 800 FSB 2Mx2 L2 (models CTO)   | 41T1716 | N        | Y     |
| 8      | Microprocessor, Pentium D 3.0 GHz 800 FSB 2Mx2 L2 (models CTO 81U 81F 81S 81P 81L 81D 81Y 81G 81M 81A 81Q 81T 81C 81B 81H 81V 81K 81R 81E 81J) | 41X2413 | N        | Y     |
| 8      | Microprocessor, Pentium D 3.0 GHz 800 FSB 2Mx2 L2 (models CTO)   | 41T1717 | N        | Y     |
| 8      | Microprocessor, Pentium D 3.2 GHz 800 FSB 2Mx2 L2 (models CTO)   | 41X8050 | N        | Y     |
| 8      | Microprocessor, Conroe E6300 Processor 1.86GHz 1066MHz FSB 2M L2 (models CTO)  | 41X2495 | N        | Y     |
| 8      | Microprocessor, Conroe E6400 Processor 2.13GHz 1066MHz FSB 2M L2 (models CTO)  | 41X2496 | N        | Y     |
| 8      | Microprocessor, Conroe E6600 Processor 2.40GHz 1066MHz FSB 4M L2 (models CTO)  | 41X5743 | N        | Y     |
| 8      | Microprocessor, Celeron D 2.53GHz 533MHz FSB 256KB L2 (models CTO)   | 41T1693 | N        | Y     |
| 8      | Microprocessor, Celeron D 2.66GHz 533MHz FSB 256KB L2 (models CTO)   | 41T1694 | N        | Y     |
| 8      | Microprocessor, Celeron D 2.80GHz 533MHz FSB 256KB L2 (models CTO)   | 41T1695 | N        | Y     |
| 8      | Microprocessor, Celeron D 2.93GHz 533MHz FSB 256KB L2 (models CTO)   | 41T1696 | N        | Y     |
| 8      | Microprocessor, Celeron D 3.06GHz 533MHz FSB 256KB L2 (models CTO)   | 41T1697 | N        | Y     |
| 8      | Microprocessor, Celeron D 3.20GHz 533MHz FSB 256KB L2 (models CTO)   | 41T1698 | N        | Y     |
| 8      | Microprocessor, Celeron D 3.33GHz 533MHz FSB 256KB L2 (models CTO)   | 41T1699 | N        | Y     |
| 8      | Microprocessor, Celeron D 3.20GHz 533MHz FSB 512KB L2 (models CTO)   | 41T4966 | N        | Y     |
| 8      | Microprocessor, Celeron D 3.33GHz 533MHz FSB 512KB L2 (models CTO)   | 41T4968 | N        | Y     |
| 9      | Front panel card Asm (all models)  | 41A7864 | 2        | Y     |
| 10     | Speaker Asm, Soldered Terminals (all models)   | 39P5023 | 2        | Y     |
| 11     | Hard disk drive, 40GB, 7200RPM, Serial ATA (models CTO)  | 40Y9033 | 1        | Y     |
| 11     | Hard disk drive, 40GB, 7200RPM, Serial ATA (models CTO)  | 40Y8760 | 1        | Y     |
| 11     | Hard disk drive, 80GB, 7200RPM, Serial ATA (models CTO 81U 81F 81S 81P 81L 81D 81Y 81G 81M 81A 81Q 81T 81C 81B 81H 81V 81K 81R 81E 81J)        | 40Y9034 | 1        | Y     |
| 11     | Hard disk drive, 80GB, 7200RPM, Serial ATA (models CTO 81U 81F 81S 81P 81L 81D 81Y 81G 81M 81A 81Q 81T 81C 81B 81H 81V 81K 81R 81E 81J)        | 40Y8761 | 1        | Y     |
| 11     | Hard disk drive, 160GB, 7200RPM, Serial ATA (models CTO)   | 40Y9035 | 1        | Y     |
| 11     | Hard disk drive, 160GB, 7200RPM, Serial ATA (models CTO)   | 40Y8762 | 1        | Y     |

| Item # | 8816 FRUs  | FRU#    | CRU Tier | RoHS? |
|--------|--|---------|----------|-------|
| 11     | Hard disk drive, 250GB, 7200RPM, Serial ATA (models CTO)   | 40Y9036 | 1        | Y     |
| 11     | Hard disk drive, 250GB, 7200RPM, Serial ATA (models CTO)   | 40Y8763 | 1        | Y     |
| 12     | Diskette drive, 1.44MB, 3-mode, w/o bezel (models CTO)   | 40Y9107 | 1        | Y     |
| 12     | Diskette drive, 1.44MB, 3-mode, w/o bezel (models CTO)   | 40Y9105 | 1        | Y     |
| 12     | Diskette drive, 1.44MB, 3-mode, w/o bezel (models CTO)   | 40Y9113 | 1        | Y     |
| 13     | CD-ROM 48X (models CTO)  | 41N3319 | 1        | Y     |
| 13     | CD-ROM 48X (models CTO)  | 41N3321 | 1        | Y     |
| 13     | DVD-ROM 16X/48X - Black (models CTO 81U 81F 81S 81P 81L 81D 81Y 81G 81M 81A 81Q 81T 81C 81B 81H 81V 81K 81R 81E 81J) | 41N3323 | 1        | Y     |
| 13     | DVD-ROM 16X/48X - Black (models CTO 81U 81F 81S 81P 81L 81D 81Y 81G 81M 81A 81Q 81T 81C 81B 81H 81V 81K 81R 81E 81J) | 41N3325 | 1        | Y     |
| 13     | CD-RW/DVD-ROM Combo Drive 48X/32X/48X/16X Max (models CTO)   | 41N3253 | 1        | Y     |
| 13     | CD-RW/DVD-ROM Combo Drive 48X/32X/48X/16X Max (models CTO)   | 41N3255 | 1        | Y     |
| 13     | DVD-RW/CD-RW - SATA (models CTO)   | 41N3347 | 1        | Y     |

The FRUs listed in the following table are not illustrated.

| 8816 FRUs   | FRU#    | CRU Tier | RoHS? |
|---|---------|----------|-------|
| Cable, C2 Switch (models CTO)                           | 39M0458 | 1        | Y     |
| Shield, 5.25 EMC (all models)                           | 39M0460 | 1        | Y     |
| Cable, SATA (18-inch RoHs) (all models)                 | 26K1186 | 1        | Y     |
| Hard disk drive mounting bracket (all models)           | 39M0461 | 1        | Y     |
| Cable, serial (all models)                              | 39K5021 | 1        | Y     |
| EMC shield, diskette drive (all models)                 | 39M0464 | 1        | Y     |
| Cable, diskette drive (RoHs) (all models)               | 26K1184 | 1        | Y     |
| Bezel asm, diskette drive, black (all models)           | 41A7806 | 1        | Y     |
| Fan duct Asm (all models)                               | 39M0470 | 1        | Y     |
| Power switch/LED Asm (all models)                       | 39M0471 | 2        | Y     |
| Device retaining clips (all models)                     | 39M0473 | 2        | Y     |
| Shield, system board (all models)                       | 41A7865 | N        | Y     |
| Miscellaneous hardware kit (all models)                 | 39M0477 | 1        | Y     |
| Cable, 1394 panel mount (all models)                    | 39M0478 | 1        | Y     |
| RM kit (all models)                                     | 39K5046 | N        | Y     |
| Cable, 2 Drop IDE (all models)                          | 39K5024 | 1        | Y     |
| Hard Disk Drive Tray w/screws (all models)              | 39M0491 | 2        | Y     |
| Thermal sense cable (460 mm) (all models)               | 41R2509 | 2        | Y     |
| Miscellaneous screw kit (all models)                    | 41R2477 | 2        | Y     |
| Universal Adapter Bracket 5.25 to 3.5-inch (all models) | 32P4743 | 1        | Y     |

| <b>8816 Keyboards (USB Preferred - without hub)</b>         | <b>FRU#</b> | <b>CRU Tier</b> | <b>RoHS?</b> |
|---|-------------|-----------------|--------------|
| US English (models 81U 81L 81G 81M 81A 81Q 81C 81H 81R 81E) | 41A5289     | 1               | Y            |
| Arabic (models 81G)   | 41A5290     | 1               | Y            |
| Arabic/French (models 81G)                                  | 41A5291     | 1               | Y            |
| Belgian/French (models 81G)                                 | 41A5292     | 1               | Y            |
| Belgian/UK (models 81G)                                     | 41A5293     | 1               | Y            |
| Brazilian (models 81P)                                      | 41A5294     | 1               | Y            |
| Bulgarian (models 81G)                                      | 41A5295     | 1               | Y            |
| Chinese/US (models 81B 81V)                                 | 41A5296     | 1               | Y            |
| Czech (models 81G)  | 41A5297     | 1               | Y            |
| Danish (models 81G)   | 41A5298     | 1               | Y            |
| Dutch (models 81G)  | 41A5299     | 1               | Y            |
| French (models 81G)   | 41A5300     | 1               | Y            |
| French Canadian 445 (models 81F)                            | 41A5301     | 1               | Y            |
| French Canadian 58 (models 81F)                             | 41A5302     | 1               | Y            |
| German (models 81G)   | 41A5303     | 1               | Y            |
| Greek (models 81G)  | 41A5304     | 1               | Y            |
| Greek/US (models 81G)                                       | 41A5305     | 1               | Y            |
| Hebrew (models 81G)   | 41A5306     | 1               | Y            |
| Hungarian (models 81G)                                      | 41A5307     | 1               | Y            |
| Iceland (models 81G)  | 41A5308     | 1               | Y            |
| Italian 141 (models 81G)                                    | 41A5309     | 1               | Y            |
| Japanese (models 81J)                                       | 41A5310     | 1               | Y            |
| Korean (models 81K)   | 41A5311     | 1               | Y            |
| LA Spanish (models 81S 81D 81Y)                             | 41A5312     | 1               | Y            |
| Norwegian (models 81G)                                      | 41A5313     | 1               | Y            |
| Polish (models 81G)   | 41A5314     | 1               | Y            |
| Portuguese (models 81G)                                     | 41A5315     | 1               | Y            |
| Romanian 096 (models 81G)                                   | 41A5317     | 1               | Y            |
| Romanian 446 (models 81G)                                   | 41A5316     | 1               | Y            |
| Russian/Cyrillic (models 81G)                               | 41A5318     | 1               | Y            |
| Serbian/Cyrillic (models 81G)                               | 41A5319     | 1               | Y            |
| Slovak (models 81G)   | 41A5320     | 1               | Y            |
| Spanish (models 81G)  | 41A5321     | 1               | Y            |
| Swedish/Finn (models 81G)                                   | 41A5322     | 1               | Y            |
| Swiss (models 81G)  | 41A5323     | 1               | Y            |
| Thailand (models 81T)                                       | 41A5324     | 1               | Y            |
| Turkish 440 (models 81G)                                    | 41A5325     | 1               | Y            |
| Turkish 179 (models 81G)                                    | 41A5326     | 1               | Y            |
| UK English (models 81G)                                     | 41A5327     | 1               | Y            |
| US Euro (models 81G)  | 41A5328     | 1               | Y            |



| <b>8816 Keyboards (USB Preferred - without hub)</b> | <b>FRU#</b> | <b>CRU Tier</b> | <b>RoHS?</b> |
|---|-------------|-----------------|--------------|
| Slovenian (models 81G)                              | 41A5329     | 1               | Y            |

| <b>8816 mice</b>                                      | <b>FRU#</b> | <b>CRU Tier</b> | <b>RoHS?</b> |
|---|-------------|-----------------|--------------|
| Mouse, Optical Wheel (400DPI, USB) (all models)       | 41U3013     | 1               | Y            |
| Mouse, ScrollPoint Optical (800DPI, USB) (models CTO) | 41U3019     | 1               | Y            |

| <b>8816 Wireless I/O</b>       | <b>FRU#</b> | <b>CRU Tier</b> | <b>RoHS?</b> |
|--------------------------------|-------------|-----------------|--------------|
| Wireless Keyboard (models CTO) | 41A5219     | 1               | Y            |
| Wireless Mouse (models CTO)    | 41A5247     | 1               | Y            |
| Transceiver (USB) (models CTO) | 41A5246     | 1               | Y            |

| <b>8816 Adapters and miscellaneous FRU</b>                 | <b>FRU#</b> | <b>CRU Tier</b> | <b>RoHS?</b> |
|--|-------------|-----------------|--------------|
| Soft Modem V.90/V.44 (models CTO)                          | 29R9729     | 1               | Y            |
| 256MB PCIe x16, full height (models CTO)                   | 41T2725     | 1               | Y            |
| 128MB DDR ATI Radeon x300SE (DMS59 connector) (models CTO) | 39J9635     | 1               | Y            |
| PCI-E DVI-DConnection Adapter (Full Height) (models CTO)   | 39J9334     | 1               | Y            |
| IEEE 1394 Firewire Adapter - full height (models CTO)      | 41D2781     | 1               | Y            |
| Thermal grease syringe (models CTO)                        | 91P8835     | 1               | Y            |

| <b>8816 Power Cords</b>  | <b>FRU#</b> | <b>CRU Tier</b> | <b>RoHS?</b> |
|--|-------------|-----------------|--------------|
| Power cord - US (models CTO-U 81U 81F 81S 81L 81D 81A 81T)                         | 39M5080     | 1               | Y            |
| Power cord - China (models CTO-A 81C)  | 39M5205     | 1               | Y            |
| Power cord - Japan (models CTO-A 81E 81J)  | 39M5193     | 1               | Y            |
| Power cord - Brazil (models CTO-L 81P)   | 39M5232     | 1               | Y            |
| Power cord - LA High Volt (APU) (models CTO-L 81L 81Y)                             | 39M5067     | 1               | Y            |
| Power cord - Australia/New Zealand (models CTO-A 81M)                              | 39M5102     | 1               | Y            |
| Power cord - Korea (models CTO-A 81K 81R)  | 39M5212     | 1               | Y            |
| Power cord - Hong Kong (models CTO-A 81B 81H)                                      | 39M5151     | 1               | Y            |
| Power cord - UK, Ireland, Singapore, Malaysia, Brunei (models CTO-G CTO-A 81G 81A) | 39M5150     | 1               | Y            |
| Power cord - Taiwan (models CTO-A 81V)   | 39M5246     | 1               | Y            |
| Power cord - Italy/Chile (models CTO-G 81S 81L 81Y 81G)                            | 39M5164     | 1               | Y            |
| Power cord - G models (models CTO-G CTO-A 81G 81A)                                 | 39M5122     | 1               | Y            |
| Power cord - Denmark (models CTO-G 81G)  | 39M5129     | 1               | Y            |
| Power cord - Switzerland (models CTO-G 81G)  | 39M5157     | 1               | Y            |
| Power cord - Israel (models CTO-G 81G)   | 39M5171     | 1               | Y            |
| Power cord - South Africa (models CTO-G 81G 81M 81A)                               | 39M5143     | 1               | Y            |

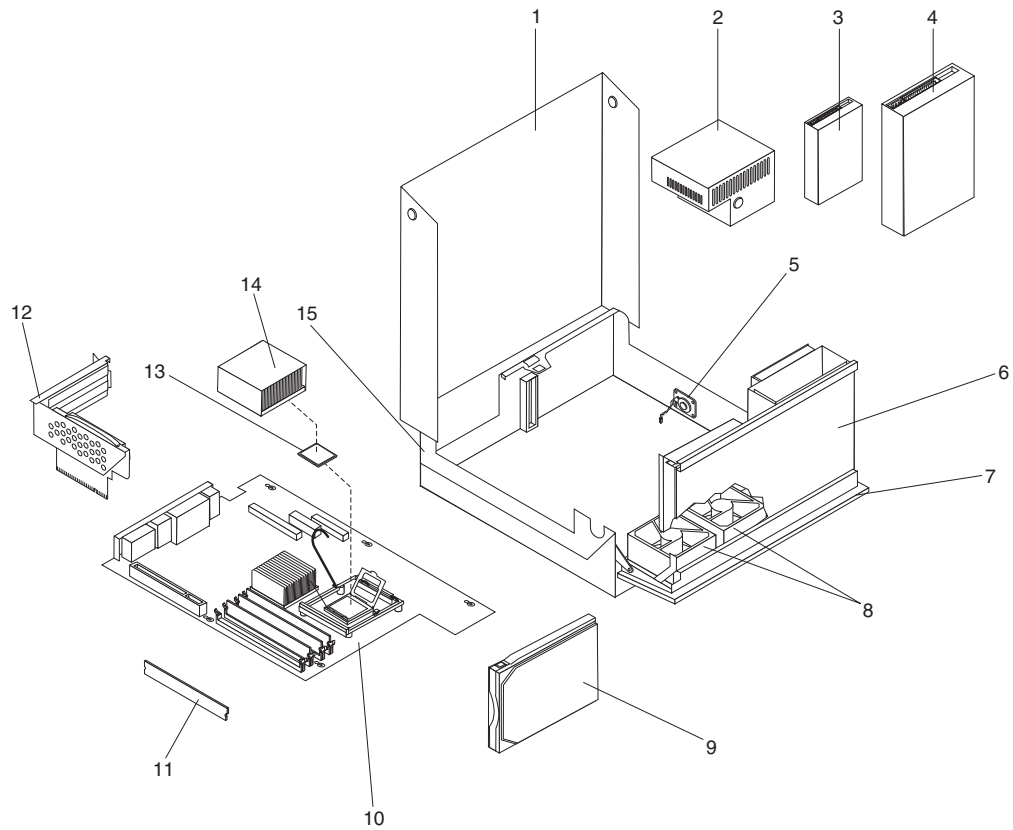
| 8816 Power Cords                      | FRU#    | CRU Tier | RoHS? |
|---------------------------------------|---------|----------|-------|
| Power cord - India (models CTO-A 81Q) | 39M5004 | 1        | Y     |

| 8816 Windows XP Home Recovery CDs | FRU# | CRU Tier | RoHS? |
|-----------------------------------|------|----------|-------|
| US/UK/AP/TH (models)              | TBD  | 1        | Y     |
| FR/CF (models)                    | TBD  | 1        | Y     |
| GR (models)                       | TBD  | 1        | Y     |
| IT (models)                       | TBD  | 1        | Y     |
| BR (models)                       | TBD  | 1        | Y     |
| SP/LA (models)                    | TBD  | 1        | Y     |
| DK (models )                      | TBD  | 1        | Y     |
| NL (models)                       | TBD  | 1        | Y     |
| AE (models )                      | TBD  | 1        | Y     |
| SV (models )                      | TBD  | 1        | Y     |
| HE (models )                      | TBD  | 1        | Y     |
| FI (models)                       | TBD  | 1        | Y     |
| NO (models)                       | TBD  | 1        | Y     |
| PL (models)                       | TBD  | 1        | Y     |
| PO (models)                       | TBD  | 1        | Y     |
| RU (models)                       | TBD  | 1        | Y     |
| RE (models)                       | TBD  | 1        | Y     |
| HU (models)                       | TBD  | 1        | Y     |
| CZ (models)                       | TBD  | 1        | Y     |
| TR (models)                       | TBD  | 1        | Y     |
| GK (models)                       | TBD  | 1        | Y     |
| Simplified Chinese (models)       | TBD  | 1        | Y     |
| Taiwan-TC (models)                | TBD  | 1        | Y     |
| Hong Kong - TC (models)           | TBD  | 1        | Y     |
| Korean (models)                   | TBD  | 1        | Y     |
| Japanese (models)                 | TBD  | 1        | Y     |

| 8816 Windows XP Pro Recovery CDs | FRU# | CRU Tier | RoHS? |
|----------------------------------|------|----------|-------|
| US/UK/AP/TH (models)             | TBD  | 1        | Y     |
| FR/CF (models)                   | TBD  | 1        | Y     |
| GR (models)                      | TBD  | 1        | Y     |
| IT (models)                      | TBD  | 1        | Y     |
| BR (models)                      | TBD  | 1        | Y     |
| SP/LA (models)                   | TBD  | 1        | Y     |
| DK (models )                     | TBD  | 1        | Y     |
| NL (models)                      | TBD  | 1        | Y     |

| 8816 Windows XP Pro Recovery CDs | FRU# | CRU Tier | RoHS? |
|----------------------------------|------|----------|-------|
| AE (models )                     | TBD  | 1        | Y     |
| SV (models )                     | TBD  | 1        | Y     |
| HE (models )                     | TBD  | 1        | Y     |
| FI (models)                      | TBD  | 1        | Y     |
| NO (models)                      | TBD  | 1        | Y     |
| PL (models)                      | TBD  | 1        | Y     |
| PO (models)                      | TBD  | 1        | Y     |
| RU (models)                      | TBD  | 1        | Y     |
| RE (models)                      | TBD  | 1        | Y     |
| HU (models)                      | TBD  | 1        | Y     |
| CZ (models)                      | TBD  | 1        | Y     |
| TR (models)                      | TBD  | 1        | Y     |
| GK (models)                      | TBD  | 1        | Y     |
| Simplified Chinese (models)      | TBD  | 1        | Y     |
| Taiwan-TC (models)               | TBD  | 1        | Y     |
| Hong Kong - TC (models)          | TBD  | 1        | Y     |
| Korean (models)                  | TBD  | 1        | Y     |
| Japanese (models)                | TBD  | 1        | Y     |
| Multilingual 1 (models)          | TBD  | 1        | Y     |
| Multilingual 2 (models)          | TBD  | 1        | Y     |

# Machine Type 9166



| Item # | 9166 FRUs   | FRU#    | CRU Tier | RoHS? |
|--------|---|---------|----------|-------|
| 1      | Top cover (all models)  | 41R4835 | 2        | Y     |
| 2      | Power Supply, 275W 80% non-Standard Power supply (models A1U A1F A2U A2F)       | 41A9675 | 2        | Y     |
| 3      | Diskette drive, 3.5" 1.44MB 2-mode (models A1U A1F A2U A2F)                     | 40Y9107 | 1        | Y     |
| 3      | Diskette drive, 3.5" 1.44MB 2-mode (models A1U A1F A2U A2F)                     | 40Y9105 | 1        | Y     |
| 4      | DVD-ROM 16X/48X - Black (models A2U A2F)  | 41N3325 | 1        | Y     |
| 4      | CD-RW/DVD-ROM Combo Drive 48X/32X/48X/16X Max---nonvista/vista (models A1U A1F) | 42Y9353 | 1        | Y     |
| 5      | Speaker/cable assembly (all models)   | 39K5012 | 1        | Y     |
| 6      | Rotating cage assembly (all models)   | 41N5324 | 2        | Y     |
| 7      | Bezel Kit (all models)  | 41N5322 | 1        | Y     |
| 8      | Front fan and bracket assembly (all models)                                     | 39M0585 | 2        | Y     |
| 9      | Hard Disk Drive 80GB 7200 rpm Serial ATA (models A1U A1F A2U A2F)               | 40Y9034 | 1        | Y     |
| 9      | Hard Disk Drive 80GB 7200 rpm Serial ATA (models A1U A1F A2U A2F)               | 40Y8761 | 1        | Y     |
| 10     | System Board (models A1U A1F A2U A2F)   | 43C7180 | 2        | Y     |
| 10     | System Board (models A1U A1F A2U A2F)   | 45C0083 | 2        | Y     |
| 11     | Memory - 1GB DDR2 SDRAM NP (PC 5300) (models A1U A1F A2U A2F)                   | 30R5126 | 1        | Y     |
| 11     | Memory - 1GB DDR2 SDRAM NP (PC 5300) (models A1U A1F A2U A2F)                   | 41X4252 | 1        | Y     |
| 12     | Riser card and bracket assembly (all models)                                    | 39M0587 | 1        | Y     |

| Item # | 9166 FRUs   | FRU#    | CRU Tier | RoHS? |
|--------|---|---------|----------|-------|
| 13     | Microprocessor, Pentium CONROE-L E2180 2.0GHz 800MHz FSB, 1M, EM64T (models)              | 45C1773 | N        | Y     |
| 13     | Microprocessor, Pentium CONROE-L E2220 2.4GHz 800MHz FSB, 1M, EM64T (models)              | 45C1774 | N        | Y     |
| 13     | Microprocessor, Core 2 Duo E4500 Processor 2.2GHz 800MHz FSB 2M (models)                  | 43C6305 | N        | Y     |
| 13     | Microprocessor, Conroe E6300 Processor 1.86GHz 1066MHz FSB 2M L2 (models A1U A1F A2U A2F) | 41X2495 | N        | Y     |
| 14     | Heat Sink and Retention Module kit (all models)   | 41A7713 | 2        | Y     |
| 15     | Mechanical base (all models)  | 41R4841 | 2        | Y     |

The FRUs listed in the following table are not illustrated.

| 9166 FRUs   | FRU#    | CRU Tier | RoHS? |
|---|---------|----------|-------|
| Hard disk drive bracket assembly (all models)                           | 39M0578 | 1        | Y     |
| Power switch/LED cable assembly (all models)                            | 39M0580 | 2        | Y     |
| SATA cable assembly (all models)  | 39K0526 | 1        | Y     |
| Optical cable, 1 drop (all models)                                      | 39M0584 | 1        | Y     |
| Intrusion switch cable (all models)                                     | 39K5022 | 1        | Y     |
| Vertical stand (all models)   | 39M0589 | 1        | Y     |
| Bezel assembly, optical rotating (all models)                           | 39M0592 | 2        | Y     |
| EMC Shield kit (diskette drive and optical bays) (all models)           | 41N5325 | 1        | Y     |
| EMC Shield, system board (all models)                                   | 41N5326 | 1        | Y     |
| Cable asm, diskette drive (all models)                                  | 41N8269 | 1        | Y     |
| Thermal sense cable (460 mm) (all models)                               | 41R2509 | 1        | Y     |
| AC-DC converter, ADP, internal enclosed assembly, 275WATTS (all models) | 41A9640 | 1        | Y     |
| Universal Adapter Bracket 5.25 to 3.5-inch (all models)                 | 32P4743 | 1        | Y     |

| 9166 Keyboards (USB Preferred - without hub) | FRU#    | CRU Tier | RoHS? |
|--|---------|----------|-------|
| US English (models A1U A2U)                  | 41A5289 | 1        | Y     |
| French Canadian 445 (models A1F A2F)         | 41A5301 | 1        | Y     |
| French Canadian 58 (models A1F A2F)          | 41A5302 | 1        | Y     |

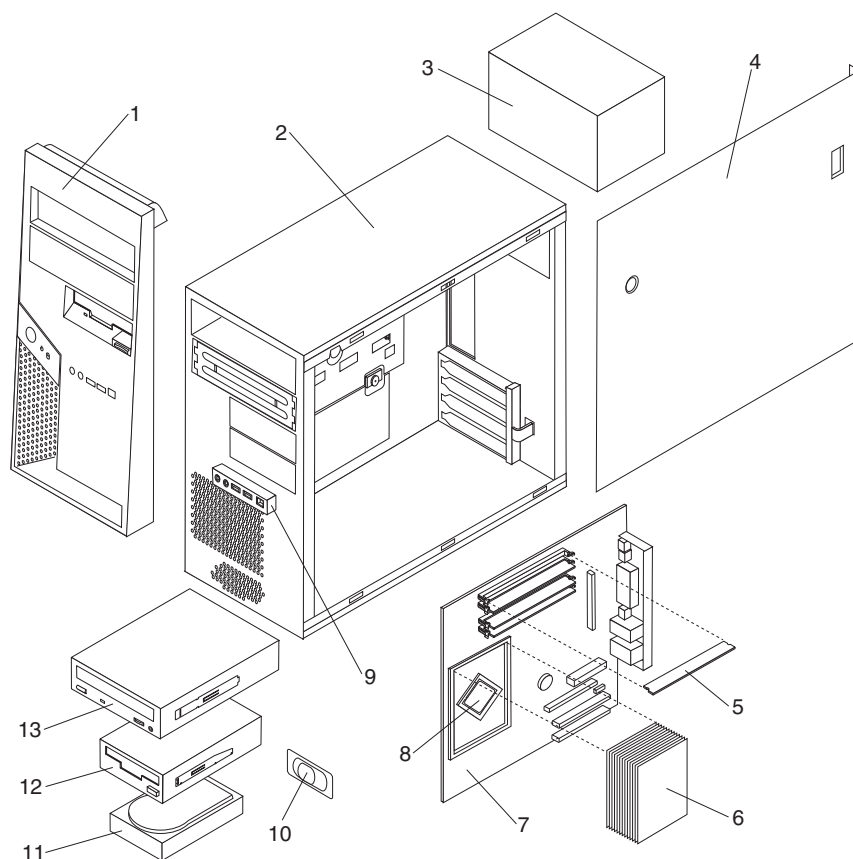
| 9166 Mice   | FRU#    | CRU Tier | RoHS? |
|---|---------|----------|-------|
| Mouse, Optical Wheel (400DPI, USB) (models A1U A1F A2U A2F) | 41U3013 | 1        | Y     |
| Mouse, Optical Wheel (400DPI, USB) (models A1U A1F A2U A2F) | 41U3030 | 1        | Y     |

| 9166 Power Cords                         | FRU#    | CRU Tier | RoHS? |
|--|---------|----------|-------|
| Power cord - US (models A1U A1F A2U A2F) | 39M5080 | 1        | Y     |

| <b>9166 Windows XP Pro Recovery CDs</b> | <b>FRU#</b> | <b>CRU Tier</b> | <b>RoHS?</b> |
|---|-------------|-----------------|--------------|
| US/UK/AP/TH (models A2U A1U)            | 42Y3236     | 1               | Y            |
| FR/CF (models A2F A1F)                  | 42Y4449     | 1               | Y            |

| <b>9166 Vista Business 32 Recovery DVDs</b> | <b>FRU#</b> | <b>CRU Tier</b> |
|---|-------------|-----------------|
| US/UK/AP/TH (models A1U)                    | 43C1390     | 1               |
| FR/CF (models A1F)                          | 43C1391     | 1               |

## Machine Type 9167



| Item # | 9167 FRUs   | FRU#    | CRU Tier | RoHS? |
|--------|---|---------|----------|-------|
| 1      | Bezel Asm (all models)  | 41A7857 | 1        | Y     |
| 2      | Chassis Asm (all models)  | 41A7863 | N        | Y     |
| 3      | Power supply, 280W 80% ATX Power Supply (models A1U A1F A2U A2F)                          | 41A9665 | 2        | Y     |
| 4      | Cover (all models)  | 39M0465 | 1        | Y     |
| 5      | Memory - 1GB DDR2 SDRAM NP (PC 5300) (models A1U A1F A2U A2F)                             | 30R5126 | 1        | Y     |
| 5      | Memory - 1GB DDR2 SDRAM NP (PC 5300) (models A1U A1F A2U A2F)                             | 41X4252 | 1        | Y     |
| 6      | Heat sink, aluminum (all models)  | 41A7855 | 2        | Y     |
| 7      | System board (G), (models A1U A1F A2U A2F)  | 43C7178 | N        | Y     |
| 8      | Microprocessor, Pentium CONROE-L E2180 2.0GHz 800MHz FSB, 1M, EM64T (models)              | 45C1773 | N        | Y     |
| 8      | Microprocessor, Pentium CONROE-L E2220 2.4GHz 800MHz FSB, 1M, EM64T (models)              | 45C1774 | N        | Y     |
| 8      | Microprocessor, Core 2 Duo E4500 Processor 2.2GHz 800MHz FSB 2M (models)                  | 43C6305 | N        | Y     |
| 8      | Microprocessor, Conroe E6300 Processor 1.86GHz 1066MHz FSB 2M L2 (models A1U A1F A2U A2F) | 41X2495 | N        | Y     |
| 9      | Front panel card Asm (all models)   | 41A7864 | 2        | Y     |
| 10     | Speaker Asm, Soldered Terminals (all models)  | 39P5023 | 2        | Y     |

| Item # | 9167 FRUs  | FRU#    | CRU Tier | RoHS? |
|--------|--|---------|----------|-------|
| 11     | Hard disk drive, 80GB, 7200RPM, Serial ATA (models A1U A1F A2U A2F)              | 40Y9034 | 1        | Y     |
| 11     | Hard disk drive, 80GB, 7200RPM, Serial ATA (models A1U A1F A2U A2F)              | 40Y8761 | 1        | Y     |
| 12     | Diskette drive, 1.44MB, 3-mode, w/o bezel (models A1U A1F A2U A2F)               | 40Y9107 | 1        | Y     |
| 12     | Diskette drive, 1.44MB, 3-mode, w/o bezel (models A1U A1F A2U A2F)               | 40Y9105 | 1        | Y     |
| 13     | DVD-ROM 16X/48X - Black (models A2U A2F)   | 41N3325 | 1        | Y     |
| 13     | CD-RW/DVD-ROM Combo Drive 48X/32X/48X/16X Max----nonvista/vista (models A1U A1F) | 42Y9353 | 1        | Y     |

The FRUs listed in the following table are not illustrated.

| 9167 FRUs   | FRU#    | CRU Tier | RoHS? |
|---|---------|----------|-------|
| Cable, C2 Switch (all models)                           | 39M0458 | 1        | Y     |
| Shield, 5.25 EMC (all models)                           | 39M0460 | 1        | Y     |
| Cable, SATA (18-inch RoHs) (all models)                 | 26K1186 | 1        | Y     |
| Hard disk drive mounting bracket (all models)           | 41R6367 | 1        | Y     |
| Cable, serial (all models)                              | 39K5021 | 1        | Y     |
| EMC shield, diskette drive (all models)                 | 39M0464 | 1        | Y     |
| Cable, diskette drive (RoHs) (all models)               | 26K1184 | 1        | Y     |
| Bezel asm, diskette drive, black (all models)           | 41A7806 | 1        | Y     |
| Fan duct Asm (all models)                               | 39M0470 | 1        | Y     |
| Device retaining clips (all models)                     | 39M0473 | 2        | Y     |
| Shield, system board (all models)                       | 41A7865 | N        | Y     |
| Miscellaneous hardware kit (all models)                 | 39M0477 | 1        | Y     |
| Cable, 1394 panel mount (all models)                    | 39M0478 | 1        | Y     |
| RM kit (all models)                                     | 39K5046 | N        | Y     |
| Thermal sense cable (460 mm) (all models)               | 41R2509 | 2        | Y     |
| Miscellaneous screw kit (all models)                    | 41R2477 | 2        | Y     |
| Cable, 2 Drop IDE (all models)                          | 39M0516 | 2        | Y     |
| Universal Adapter Bracket 5.25 to 3.5-inch (all models) | 32P4743 | 1        | Y     |

| 9167 Keyboards (USB Preferred - without hub) | FRU#    | CRU Tier | RoHS? |
|--|---------|----------|-------|
| US English (models A1U A2U)                  | 41A5289 | 1        | Y     |
| French Canadian 445 (models A1F A2F)         | 41A5301 | 1        | Y     |
| French Canadian 58 (models A1F A2F)          | 41A5302 | 1        | Y     |

| 9167 mice   | FRU#    | CRU Tier | RoHS? |
|---|---------|----------|-------|
| Mouse, Optical Wheel (400DPI, USB) (models A1U A1F A2U A2F) | 41U3013 | 1        | Y     |
| Mouse, Optical Wheel (400DPI, USB) (models A1U A1F A2U A2F) | 41U3030 | 1        | Y     |

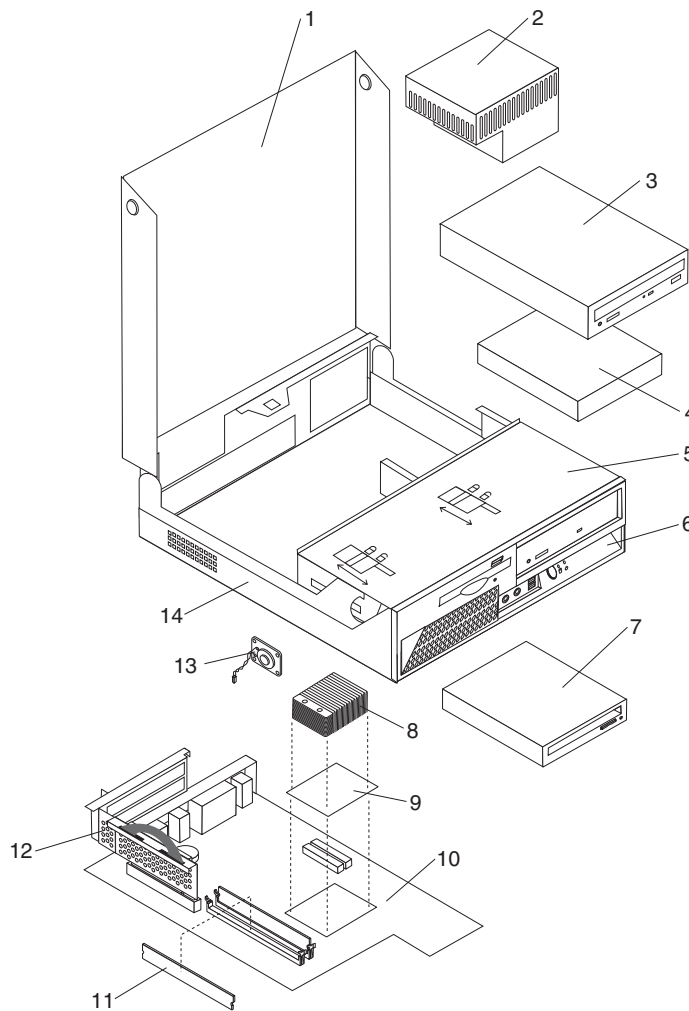


| <b>9167 Power Cords</b>                  | <b>FRU#</b> | <b>CRU Tier</b> | <b>RoHS?</b> |
|--|-------------|-----------------|--------------|
| Power cord - US (models A1U A1F A2U A2F) | 39M5080     | 1               | Y            |

| <b>9167 Windows XP Pro Recovery CDs</b> | <b>FRU#</b> | <b>CRU Tier</b> | <b>RoHS?</b> |
|---|-------------|-----------------|--------------|
| US/UK/AP/TH (models A2U A1U )           | 42Y3236     | 1               | Y            |
| FR/CF (models A2F A1F)                  | 42Y4449     | 1               | Y            |

| <b>9167 Vista Business 32 Recovery DVDs</b> | <b>FRU#</b> | <b>CRU Tier</b> |
|---|-------------|-----------------|
| US/UK/AP/TH (models A1U)                    | 43C1390     | 1               |
| FR/CF (models A1F)                          | 43C1391     | 1               |

# Machine Type 9168



| Item # | 9168 FRUs   | FRU#    | CRU Tier | RoHS? |
|--------|---|---------|----------|-------|
| 1      | Cover (all models)  | 41R6220 | 1        | Y     |
| 2      | Power Supply -275W 80% non-Standard Power supply (models A1U A1F A2U A2F)                   | 41A9675 | 2        | Y     |
| 2      | Power Supply, 225 Watt Power Supply - WW, DMO (models A1U A1F A2U A2F)                      | 41A9629 | 2        | Y     |
| 3      | DVD-ROM 16X/48X - Black (models A2U A2F)  | 41N3325 | 1        | Y     |
| 3      | CD-RW/DVD-ROM Combo Drive 48X/32X/48X/16X Max----nonvista/vista (models A1U A1F)            | 42Y9353 | 1        | Y     |
| 4      | Hard Disk Drive 80GB 7200 rpm Serial ATA (models A1U A1F A2U A2F)                           | 40Y9034 | 1        | Y     |
| 4      | Hard Disk Drive 80GB 7200 rpm Serial ATA (models A1U A1F A2U A2F)                           | 40Y8761 | 1        | Y     |
| 5      | Rotating bay assembly (all models)  | 03R0285 | 2        | Y     |
| 6      | Bezel, Plastic Kit (models)   | 41A7718 | 2        | Y     |
| 7      | Slim Diskette Drive, 1.44 MB 3 mode (without FDD cable and bezel ) (models A1U A1F A2U A2F) | 40Y9109 | 1        | Y     |

| Item # | 9168 FRUs   | FRU#    | CRU Tier | RoHS? |
|--------|---|---------|----------|-------|
| 7      | Slim Diskette Drive, 1.44 MB 3 mode (without FDD cable and bezel ) (models A1U A1F A2U A2F) | 40Y9111 | 1        | Y     |
| 8      | Heat Sink, (all models)   | 41A7705 | 2        | Y     |
| 9      | Microprocessor, Pentium CONROE-L E2180 2.0GHz 800MHz FSB, 1M, EM64T (models)                | 45C1773 | N        | Y     |
| 9      | Microprocessor, Pentium CONROE-L E2220 2.4GHz 800MHz FSB, 1M, EM64T (models)                | 45C1774 | N        | Y     |
| 9      | Microprocessor, Core 2 Duo E4500 Processor 2.2GHz 800MHz FSB 2M (models)                    | 43C6305 | N        | Y     |
| 9      | Microprocessor, Conroe E6300 Processor 1.86GHz 1066MHz FSB 2M L2 (models A1U A1F A2U A2F)   | 41X2495 | N        | Y     |
| 10     | System Board (models A1U A1F A2U A2F)   | 43C7177 | 2        | Y     |
| 10     | System Board (models A1U A1F A2U A2F)   | 43C7176 | 2        | Y     |
| 10     | System Board IV - Bristol GF V3.1(ASUS) (SIT-RR) (models)                                   | 41T1435 | 2        | Y     |
| 10     | System Board IV - Bristol IAMT V3.3(ASUS) (SIT-RR) (models)                                 | 41T1431 | 2        | Y     |
| 10     | System Board IV - Bristol IAMT V3.3(GIGA) (GA)(No 820CPU issue) (models)                    | 45C2305 | 2        | Y     |
| 11     | Memory - 1GB DDR2 SDRAM NP (PC 5300) (models A1U A1F A2U A2F)                               | 30R5126 | 1        | Y     |
| 11     | Memory - 1GB DDR2 SDRAM NP (PC 5300) (models A1U A1F A2U A2F)                               | 41X4252 | 1        | Y     |
| 12     | Riser card assembly (all models)  | 41A7730 | 1        | Y     |
| 13     | Speaker/cable assembly (all models)   | 39K5012 | 1        | Y     |
| 14     | Chassis (all models)  | 41A7717 | 2        | Y     |

The FRUs listed in the following table are not illustrated.

| 9168 FRUs   | FRU#    | CRU Tier | RoHS? |
|---|---------|----------|-------|
| Hard disk drive tray (all models)                                     | 03R0302 | 2        | Y     |
| Floor stand and vertical deflector (all models)                       | 74P0404 | 2        | Y     |
| Cable, SATA 18" (all models)  | 26K1186 | 1        | Y     |
| Cable, second serial port, 250mm HP (all models)                      | 42Y8007 | 1        | Y     |
| Cable, SATA Device (all models)                                       | 39K5026 | 1        | Y     |
| C2 Cable (Squall) (models)  | 39K5022 | 1        | Y     |
| Cable, PWR/LED (all models)   | 26K1242 | 1        | Y     |
| Cable, Diskette Drive (all models)                                    | 26K1248 | 1        | Y     |
| Fan assembly (all models)   | 26K1253 | 2        | Y     |
| Universal Adapter Bracket 5.25 to 3.5-inch (all models)               | 32P4743 | 1        | Y     |
| Retention module, tool less heat sink (all models)                    | 26K1281 | 2        | Y     |
| Shield, system board (all models)                                     | 41A7719 | 2        | Y     |
| Latch bar on cover (all models)                                       | 41R6188 | 2        | Y     |
| Internal Plastic Kit (does not include tl hardfile tray) (all models) | 26K1234 | 2        | Y     |

| <b>9168 Keyboards (USB Preferred - without hub)</b> | <b>FRU#</b> | <b>CRU Tier</b> | <b>RoHS?</b> |
|---|-------------|-----------------|--------------|
| US English (models A1U A2U)                         | 41A5289     | 1               | Y            |
| French Canadian 445 (models A1F A2F)                | 41A5301     | 1               | Y            |
| French Canadian 58 (models A1F A2F)                 | 41A5302     | 1               | Y            |

| <b>9168 Mice</b>  | <b>FRU#</b> | <b>CRU Tier</b> | <b>RoHS?</b> |
|---|-------------|-----------------|--------------|
| Mouse, Optical Wheel (400DPI, USB) (models A1U A1F A2U A2F) | 41U3013     | 1               | Y            |
| Mouse, Optical Wheel (400DPI, USB) (models A1U A1F A2U A2F) | 41U3030     | 1               | Y            |

| <b>9168 Power Cords</b>                  | <b>FRU#</b> | <b>CRU Tier</b> | <b>RoHS?</b> |
|--|-------------|-----------------|--------------|
| Power cord - US (models A1U A1F A2U A2F) | 39M5080     | 1               | Y            |

| <b>9168 Windows XP Pro Recovery CDs</b> | <b>FRU#</b> | <b>CRU Tier</b> |
|---|-------------|-----------------|
| US/UK/AP/TH (models A2U A1U)            | 42Y3236     | 1               |
| FR/CF (models A2F A1F)                  | 42Y4449     | 1               |

| <b>9168 Vista Business 32 Recovery DVDs</b> | <b>FRU#</b> | <b>CRU Tier</b> |
|---|-------------|-----------------|
| US (models A1U)                             | 43C1390     | 1               |
| FR (models A1F)                             | 43C1391     | 1               |

---

## Chapter 9. Additional Service Information

This chapter provides additional information that the service representative might find helpful.

---

### Security features

Security features in this section include the following:

- Passwords
- Vital Product Data
- Alert on LAN™

### Hardware controlled Passwords

Hardware controlled passwords are set using the Setup Utility program. For more information about passwords, see “Using passwords” on page 57.

### Operating system password

An operating system password is very similar to a power-on password and denies access to the computer by an unauthorized user when the password is activated. The computer is unusable until the password is entered and recognized by the computer.

### Vital product data

Each computer has a unique Vital Product Data (VPD) code stored in the nonvolatile memory on the system board. After you replace the system board, the VPD must be updated. To update the VPD, see “Flash update procedures.”

---

### BIOS levels

An incorrect level of BIOS can cause false errors and unnecessary FRU replacement. Use the following information to determine the current level of BIOS installed in the computer, the latest BIOS available for the computer, and where to obtain the latest level of BIOS.

- Current Level BIOS information
  - Run the Setup Utility to determine the level of BIOS installed.
- Sources for obtaining the latest level BIOS available
  1. Lenovo support web site:  
<http://www.lenovo.com/think/support/>
  2. Lenovo Customer Support Center
  3. Levels 1 and 2 Support

To update (flash) the BIOS, see “Flash update procedures.”

---

### Flash update procedures

This section details how to flash (update) the BIOS.

## Updating (flashing) BIOS from a diskette or CD-ROM

1. If you are updating from a CD-ROM, insert the flash update CD-ROM in the optical drive before turning off the computer.
2. Shut down the operating system and turn off the computer.
3. If you are updating from a diskette, insert the flash update diskette in the diskette drive. Turn on the computer. The update begins.
4. When you are prompted to select a language, press the number on your keyboard that corresponds to the language; then press Enter.
5. When prompted to change the serial number, press Y, type the seven character serial number of your computer, and then press Enter.
6. When prompted to change the machine type/model, press Y, type the seven character machine type/model of your computer, and then press Enter.
7. Follow the instructions on the screen to complete the update.

## Updating (flashing) BIOS from your operating system

**Note:** Due to constant improvements being made to the Lenovo Web site, Web page content (including the links referenced in the following procedure) is subject to change.

1. From your browser, type <http://www.lenovo.com/think/support>.
2. In the Use Quick path field, type your 4-digit machine type and click **Go**.
3. Under Browse by product, click **Downloads and drivers**.
4. Scroll down to the BIOS category and click on the **Flash Bios Update**.
5. On the Flash BIOS Update page, scroll down to locate the .txt file for the flash from the operating system version. Click the .txt file.
6. Print these instructions. This is very important because these instructions are not on the screen after the download begins.
7. From the browser, click **Back** to return to the list of files. Carefully follow the printed instructions to download, extract, and install the update.

## Recovering from a POST/BIOS update failure

**Attention:** If an interruption occurs during a POST/BIOS update (flash update), the computer might not restart correctly. If this occurs, perform the following procedure (also known as a Boot-block recovery)

**Note:** If your computer has no internal diskette drive, an optional USB diskette drive must be connected to use the BIOS flash diskette.

1. Open the cover.
2. Remove any parts necessary to gain access to the Clear CMOS/Recovery jumper.
3. Move the Clear CMOS/Recovery jumper from the standard position (pins 1 and 2) to pins 2 and 3.
4. Insert the BIOS flash diskette in the diskette drive.
5. Close the cover and reconnect the computer power cord to the computer and to an electrical outlet. Turn on the computer.
6. The recovery session takes two to three minutes. During this time you will hear a series of beeps. After the update session completes, the series of beeps ends and the computer automatically turns off. There is no video during the recovery session.
7. When the computer turns off, open the cover.

8. Move the Clear CMOS/Recovery jumper back to the original position (pins 1 and 2)
9. Remove the BIOS flash diskette from the diskette drive.
10. Close or install the cover and reconnect all external cables.

---

## Power management

Power management reduces the power consumption of certain components of the computer such as the system power supply, processor, hard disk drives, and some monitors.

### Automatic configuration and power interface (ACPI) BIOS

Being an ACPI BIOS system, the operating system is allowed to control the power management features of the computer and the setting for Advanced Power Management (APM) BIOS mode is ignored. Not all operating systems support ACPI BIOS mode.

### Automatic Power-On features

The Automatic Power-On features within the Power Management menu allow you to enable and disable features that turn on the computer automatically.

- **Serial Port A Ring Detect:** With this feature set to **Enabled** and an external modem connected to serial port (COM1), the computer will turn on automatically when a ring is detected on the modem.
- **PCI Modem Ring Detect:** With this feature set to **Enabled**, the computer will turn on automatically when a ring is detected on the internal modem.
- **PCI Wake Up:** This feature allows PCI cards that support this capability to wake the system.
- **Wake Up on Alarm:** You can specify a date and time at which the computer will be turned on automatically. This can be either a single event or a daily event.
- **Wake on LAN:** If the computer has a properly configured token-ring or Ethernet LAN adapter card that is Wake on LAN-enabled and there is remote network management software, you can use the Wake on LAN feature. When you set Wake on LAN to **Enabled**, the computer will turn on when it receives a specific signal from another computer on the local area network (LAN)



---

## Recovering software using the Rescue and Recovery program

When you install a new hard disk drive, you also need a set of *Product Recovery* discs. The set of *Product Recovery* discs will enable the contents of the hard disk to be restored to the same state as when the computer was originally shipped from the factory. For more information on recovering factory-installed software, refer to "Recovering software" in the *User Guide*.



---

## Appendix. Notices

Lenovo may not offer the products, services, or features discussed in this document in all countries. Consult your local Lenovo representative for information on the products and services currently available in your area. Any reference to a Lenovo product, program, or service is not intended to state or imply that only that Lenovo product, program, or service may be used. Any functionally equivalent product, program, or service that does not infringe any Lenovo intellectual property right may be used instead. However, it is the user's responsibility to evaluate and verify the operation of any other product, program, or service.

Lenovo may have patents or pending patent applications covering subject matter described in this document. The furnishing of this document does not give you any license to these patents. You can send license inquiries, in writing, to:

*Lenovo (United States), Inc.  
500 Park Offices Drive, Hwy. 54  
Research Triangle Park, NC 27709  
U.S.A.  
Attention: Lenovo Director of Licensing*

LENOVO GROUP LTD. PROVIDES THIS PUBLICATION "AS IS" WITHOUT WARRANTY OF ANY KIND, EITHER EXPRESS OR IMPLIED, INCLUDING, BUT NOT LIMITED TO, THE IMPLIED WARRANTIES OF NON-INFRINGEMENT, MERCHANTABILITY OR FITNESS FOR A PARTICULAR PURPOSE. Some jurisdictions do not allow disclaimer of express or implied warranties in certain transactions, therefore, this statement may not apply to you.

This information could include technical inaccuracies or typographical errors. Changes are periodically made to the information herein; these changes will be incorporated in new editions of the publication. Lenovo may make improvements and/or changes in the product(s) and/or the program(s) described in this publication at any time without notice.

The products described in this document are not intended for use in implantation or other life support applications where malfunction may result in injury or death to persons. The information contained in this document does not affect or change Lenovo product specifications or warranties. Nothing in this document shall operate as an express or implied license or indemnity under the intellectual property rights of Lenovo or third parties. All information contained in this document was obtained in specific environments and is presented as an illustration. The result obtained in other operating environments may vary.

Lenovo may use or distribute any of the information you supply in any way it believes appropriate without incurring any obligation to you.

Any references in this publication to non-Lenovo Web sites are provided for convenience only and do not in any manner serve as an endorsement of those Web sites. The materials at those Web sites are not part of the materials for this Lenovo product, and use of those Web sites is at your own risk.

Any performance data contained herein was determined in a controlled environment. Therefore, the result obtained in other operating environments may

vary significantly. Some measurements may have been made on development-level systems and there is no guarantee that these measurements will be the same on generally available systems. Furthermore, some measurements may have been estimated through extrapolation. Actual results may vary. Users of this document should verify the applicable data for their specific environment.

---

## Television output notice

The following notice applies to models that have the factory-installed television-output feature.

This product incorporates copyright protection technology that is protected by method claims of certain U.S. patents and other intellectual property rights owned by Macrovision Corporation and other rights owners. Use of this copyright protection technology must be authorized by Macrovision Corporation, and is intended for home and other limited viewing uses only unless otherwise authorized by Macrovision Corporation. Reverse engineering or disassembly is prohibited.

---

## Trademarks

The following terms are trademarks of Lenovo in the United States, other countries, or both:

- Lenovo
- ThinkCentre
- ThinkVantage
- PS/2
- Rescue and Recovery

The following terms are trademarks of International Business Machines Corporation in the United States, other countries, or both:

- Asset ID
- Alert on LAN
- IBM (used under license)
- Wake on LAN

Intel and Pentium are trademarks of Intel Corporation in the United States, other countries, or both.

Microsoft and Windows are trademarks of Microsoft Corporation in the United States, other countries, or both.

Other company, product, or service names may be trademarks or service marks of others.



**ThinkCentre®**

Part Number: 41X6286

Printed in USA

(1P) P/N: 41X6286

