



For more Hi-Fi manuals and set-up information
please visit www.hifiengine.com

SERVICE MANUAL

PARTS LIST

MODEL GXC-740D

AKAI

GXC-740D



STEREO CASSETTE DECK

MODEL GXC-740D

SECTION 1	SERVICE MANUAL	3
SECTION 2	PARTS LIST	25
SECTION 3	SCHEMATIC DIAGRAM	44

SECTION 1

SERVICE MANUAL

TABLE OF CONTENTS

I.	TECHNICAL DATA	4
II.	DISMANTLING OF UNIT	5
III.	PRINCIPAL PARTS LOCATION	6
IV.	MECHANISM ADJUSTMENT	7
	1. CAPSTAN SHAFT LOOSE PLAY ADJUSTMENT	7
	2. FAST FORWARD AND REWIND TORQUE ADJUSTMENT	7
	3. TAKE-UP AND SUPPLY REEL TABLE TORQUE MEASUREMENT AT PLAYBACK MODE	8
	4. PINCH ROLLER PRESSURE ADJUSTMENT	8
	5. PLAY SOLENOID INSTALLATION POSITION ADJUSTMENT	8
	6. POSITION ADJUSTMENT OF RECORDING MICROSWITCH	9
	7. POSITION ADJUSTMENT OF PLAY MICROSWITCH	9
	8. TAPE SPEED ADJUSTMENT	9
V.	HEAD ADJUSTMENT	10
	1. TAPE GUIDE HEIGHT ADJUSTMENT	10
	2. HEIGHT ADJUSTMENT OF RECORDING/PLAYBACK COMBINATION HEAD	10
	3. AZIMUTH ALIGNMENT ADJUSTMENT OF RECORDING/ PLAYBACK COMBINATION HEAD	10
VI.	AMPLIFIER ADJUSTMENT	13
	1. RECORDING/PLAYBACK AMPLIFIER ADJUSTMENT	13
	2. DOLBY NOISE REDUCTION CIRCUIT ADJUSTMENT	14
VII.	DC RESISTANCE OF VARIOUS COILS	15
VIII.	CLASSIFICATION OF VARIOUS P.C BOARDS	15
	1. RELATION OF P.C BOARD TITLE AND NUMBER	15
	2. COMPOSITION OF VARIOUS P.C BOARDS	16

For basic adjustments, measuring methods, and operating principles, refer to GENERAL OPERATING PRINCIPLES AND ADJUSTMENTS.

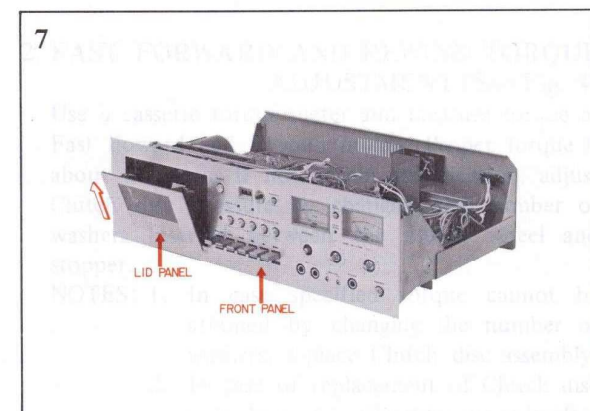
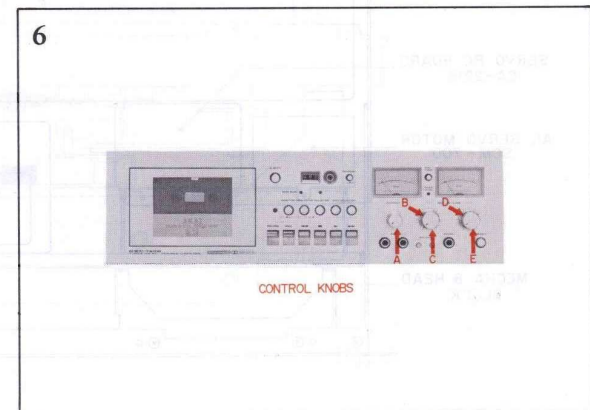
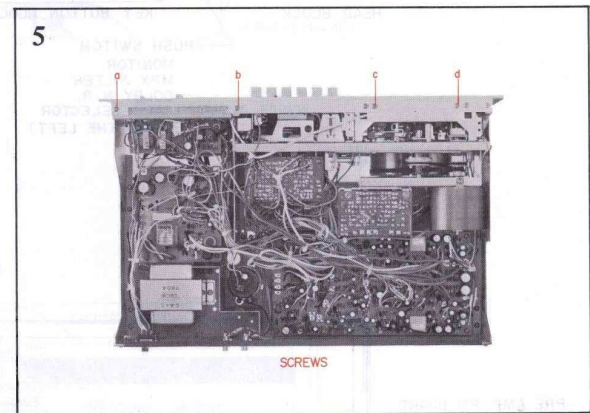
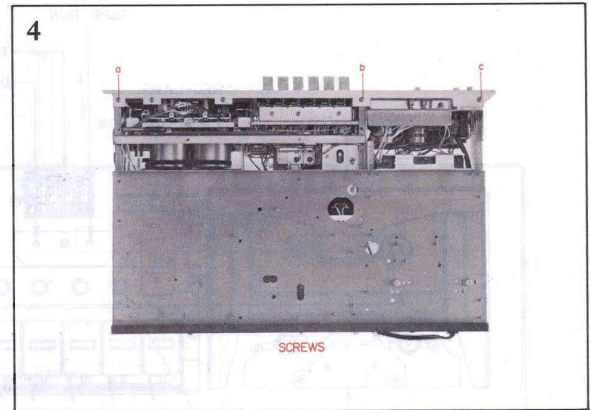
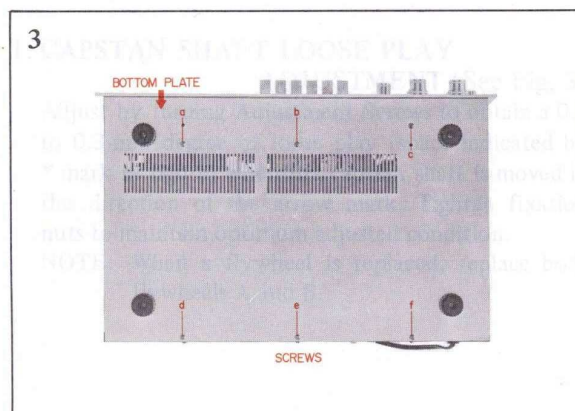
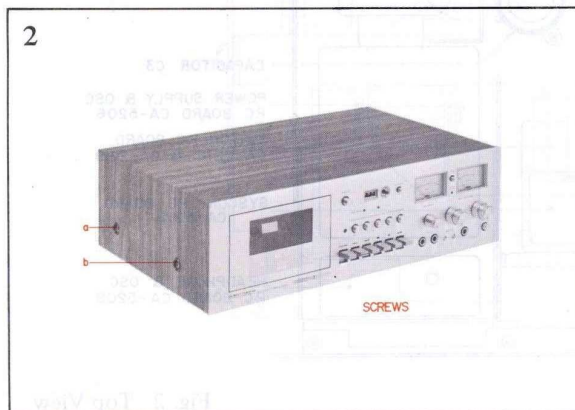
I. TECHNICAL DATA

TRACK SYSTEM	4 track 2 channel stereo system		
TAPE	Philips type cassette		
TAPE SPEED	1-7/8 ips		
WOW AND FLUTTER	Less than 0.07% WRMS		
FREQUENCY RESPONSE	30 Hz to 15,000 Hz (± 3 dB) using low noise tape 30 Hz to 16,000 Hz (± 3 dB) using CrO ₂ tape 30 Hz to 18,000 Hz (± 3 dB) using Fe-Cr tape		
DISTORTION	Less than 1% (1,000 Hz "0" VU)		
SIGNAL-TO-NOISE RATIO	Better than 50 dB (measured via tape with peak recording level of +5 VU) Dolby Switch ON: Improves up to 10 dB above 5 kHz		
ERASE RATIO	Better than 70 dB		
BIAS FREQUENCY	100 kHz		
HEADS	GX recording/playback head and erase head (3 head system)		
MOTOR	AC Servo outer rotor motor		
FAST FORWARD AND REWIND TIME	70 seconds using a C-60 cassette tape		
OUTPUT JACKS	Line (2): 0.775V ("0" VU) Required load impedance: More than 20 k ohms Phone (1): 50 mV/8 ohms		
INPUT JACKS	Microphone (2): 0.3 mV/4.7 k ohms Line (2): 70 mV/100 k ohms		
TRANSISTOR	2SA733 (P) (Q) 1	2SC1175 (E) (F) 2	
	2SC458LG (C) 8	2SC1222 (E) (F) 4	
	2SC945L (P) (Q) (R) 18	2SC1247 (A) (B) (V) 1	
	2SC1061 (B) (C) 1	2SC1647 (S) (E) 6	
	2SC1096 (K) (L) 1	2SC1683 (P) (Q) 1	
FET	2SK30A (D) 4	2SK68K (L) (M) 2	
IC	TA7122AP 2	μ PC1023H 2	μ PC1024H 4
DIODE	1N34A 10	10D4 5	
	1S2473 4	SEL105R 1	
	1S2473VE 25	SEL305GC 2	
	10D05 5	WZ085 2	
	10D2 4	WZ240 1	
POWER REQUIREMENTS	CSA, UL and LA Models: 120V, 60 Hz only CEE Models: 220V, 50 Hz only Other Models: 110 to 120V/220 to 240V, 50/60 Hz (switchable)		
DIMENSIONS	440(W) x 142(H) x 306(D) mm (17.3 x 5.6 x 12.0")		
WEIGHT	10.5 kg (23.1 lbs)		

- NOTES: 1. For improvement purposes, specifications and design are subject to change without notice.
2. "DOLBY" and the Double D symbol are trademarks of Dolby Laboratories, Inc.
(Under License from Dolby Laboratories, Inc.)

II. DISMANTLING OF UNIT

In case of trouble, etc. necessitating disassembly, please disassemble in the order shown in photographs. Reassembly in reverse order.



III. PRINCIPAL PARTS LOCATION

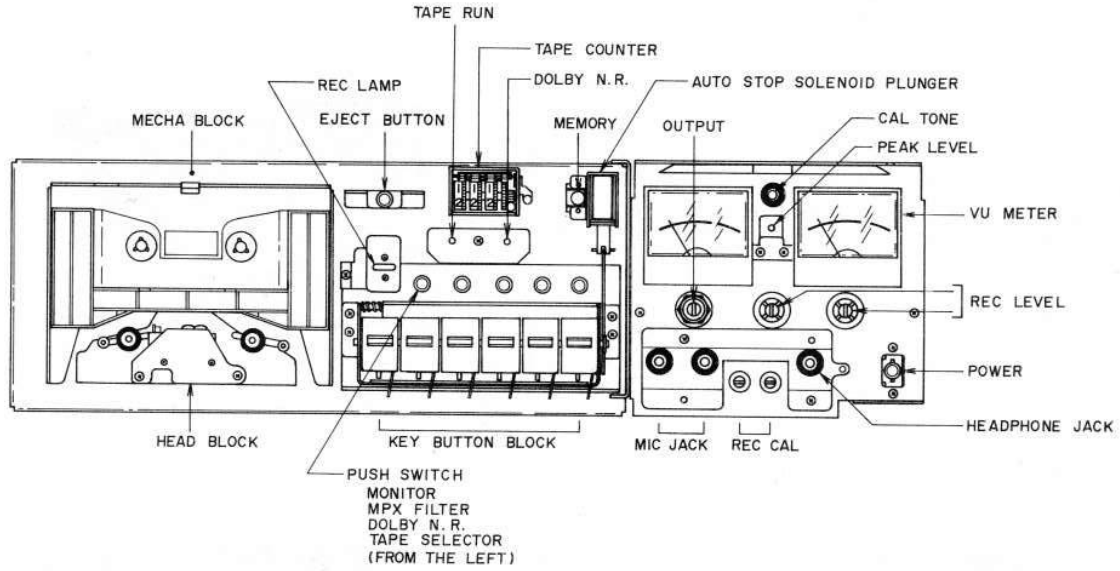


Fig. 1 Front View

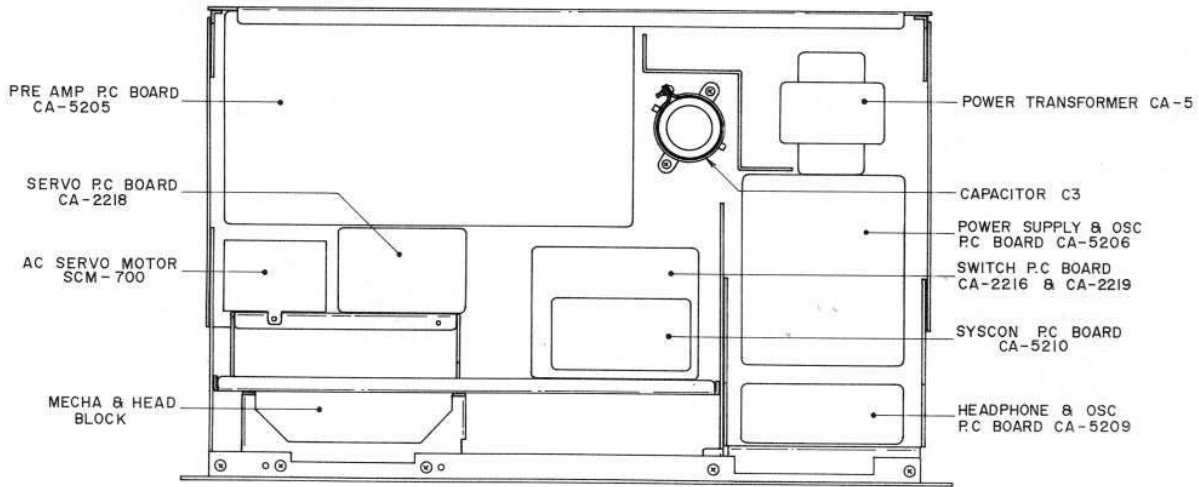


Fig. 2 Top View

IV. MECHANISM ADJUSTMENT

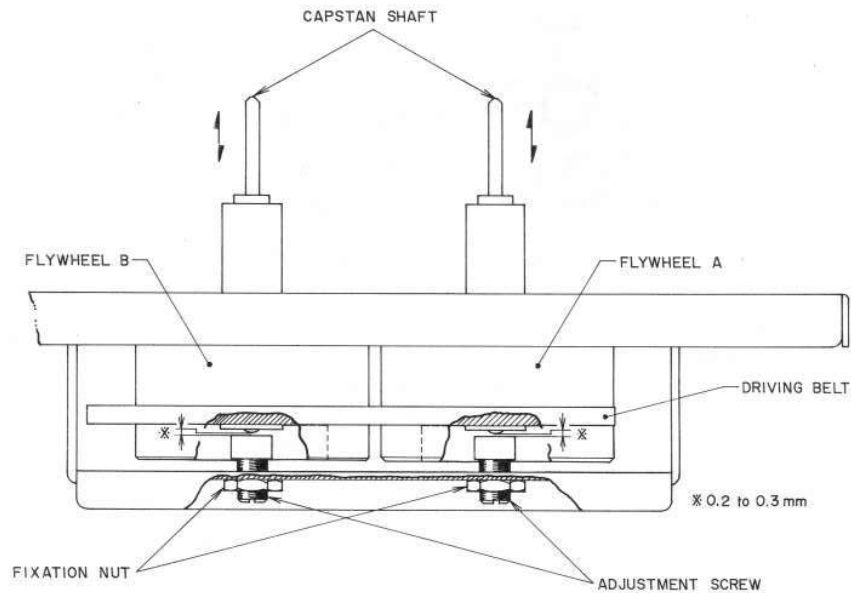


Fig. 3

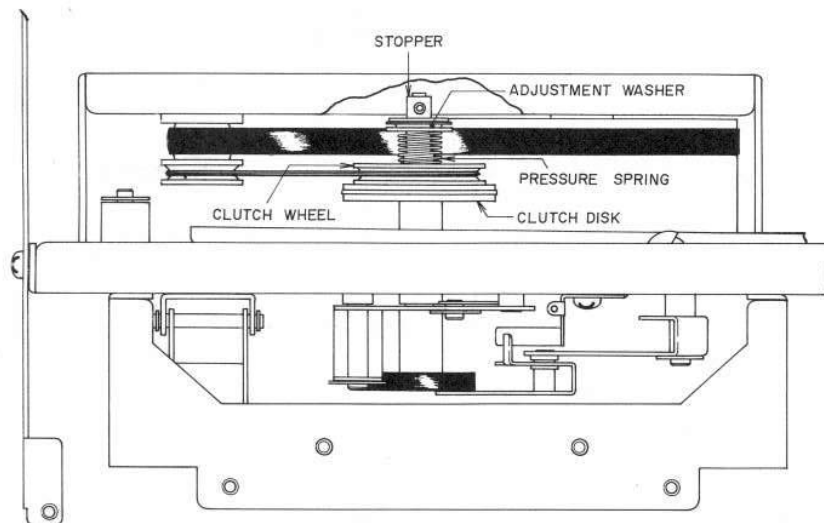


Fig. 4

1. CAPSTAN SHAFT LOOSE PLAY

ADJUSTMENT (See Fig. 3)

Adjust by turning Adjustment Screws to obtain a 0.2 to 0.3 mm degree of loose play (space indicated by * mark in figure) when the capstan shaft is moved in the direction of the arrow mark. Tighten fixation nuts to maintain optimum adjusted condition.

NOTE: When a flywheel is replaced, replace both flywheels A and B.

2. FAST FORWARD AND REWIND TORQUE ADJUSTMENT (See Fig. 4)

Use a cassette torque meter and measure torque at Fast Forward and Rewind modes. Proper torque is about 90 gr-cm. If not within specification, adjust Clutch disc pressure by changing the number of washers inserted between the clutch wheel and stopper.

- NOTES:
1. In case specified torque cannot be attained by changing the number of washers, replace Clutch disc assembly.
 2. In case of replacement of Clutch disc only, be sure to adjust torque only after aging (after the new clutch disc has been used for awhile).

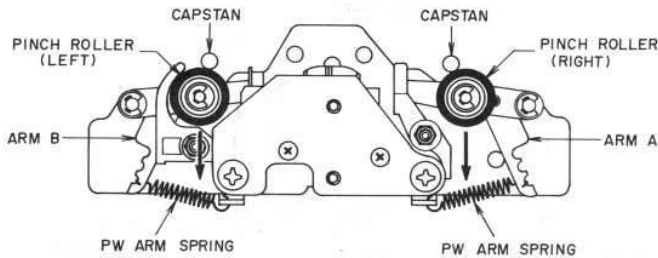


Fig. 5

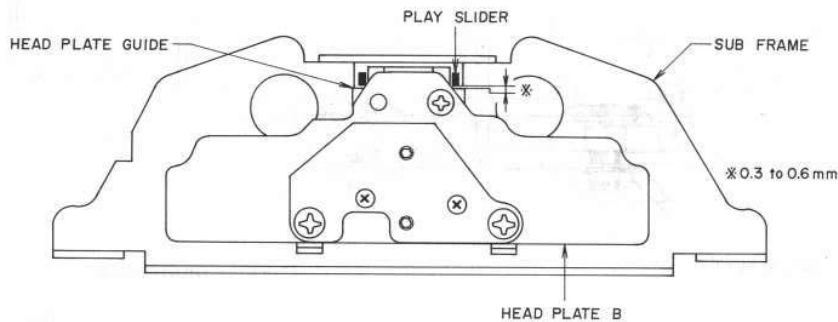


Fig. 6

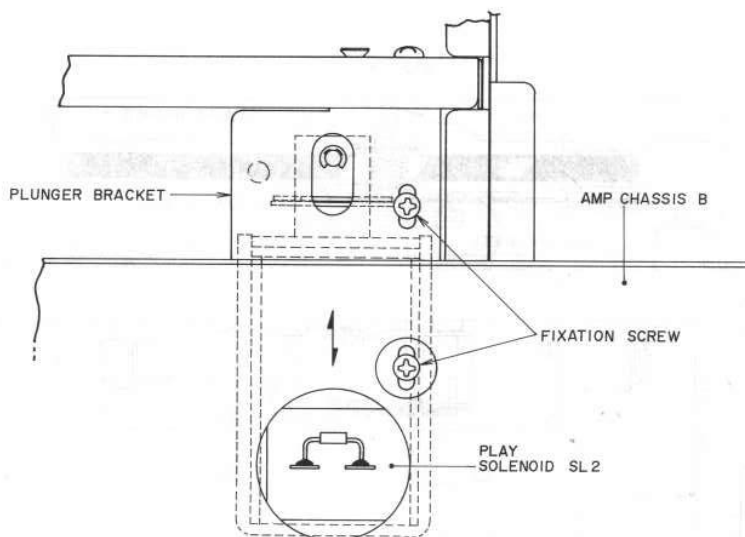


Fig. 7

3. TAKE-UP AND SUPPLY REEL TABLE TORQUE MEASUREMENT AT PLAYBACK MODE

Measure take-up and supply reel table torque in same way as described in Item-2 above.

Specified torque: Take-up reel table; 40 gr-cm
Supply reel table; 7 to 15 gr-cm

NOTE: If torque of each reel table is not within specification, replace reel table assembly.

4. PINCH ROLLER PRESSURE ADJUSTMENT (See Fig. 5)

Pull back the Pinch Roller with a spring gauge, and then return. Take a reading of the spring gauge scale indication at the moment the Pinch Roller touches the capstan and begins to rotate. Adjust Pressure to specified value by changing position of the PW ARM SPRING.

Specified Pinch Roller Pressure:
Pinch Roller (right) 400 ±50 gr
Pinch Roller (left) 300 ±50 gr

5. PLAY SOLENOID INSTALLATION POSITION ADJUSTMENT

(See Fig. 6 and Fig. 7)

At play mode, move solenoid (SL2) shown in Fig. 7 in the direction of the arrow mark to obtain a 0.3 to 0.6 mm gap between the play slider and head plate guide as shown in Fig. 6. Tighten fixation screw to maintain this condition.

NOTE: If the clearance between the play slider and head plate guide is over 0.6 mm, because the solenoid will not pull the plunger properly, be sure to adjust to within specifications.

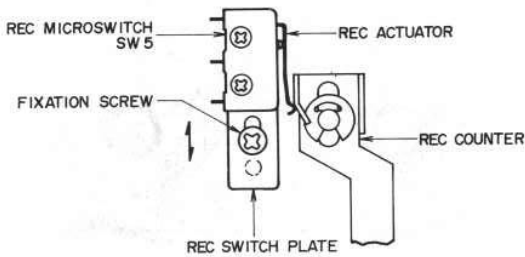


Fig. 8

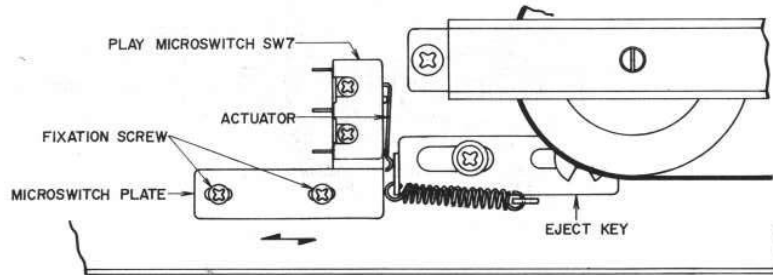


Fig. 9

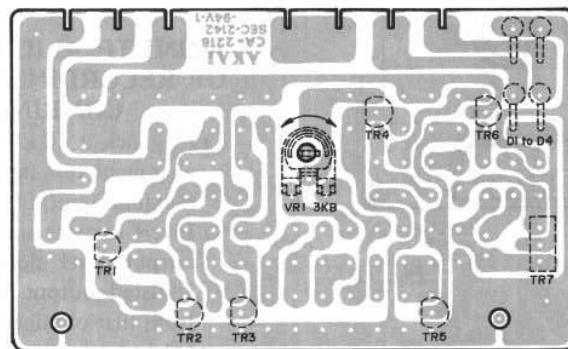


Fig. 10 Servo P.C Board

6. POSITION ADJUSTMENT OF RECORDING MICROSWITCH (See Fig. 8)

At recording mode, adjust by moving the recording switch plate shown in Fig. 8 as indicated by the arrow mark in the figure so that recording micro switch (SW5) is perfectly turned ON. Tighten fixation screw to maintain this condition.

7. POSITION ADJUSTMENT OF PLAY MICROSWITCH (See Fig. 9)

At playback mode, adjust by moving the microswitch plate shown in Fig. 9, as indicated by the arrow mark in the figure so that play microswitch (SW7) is perfectly turned ON. Tighten fixation screw to maintain this condition.

8. TAPE SPEED ADJUSTMENT (See Fig. 10)

Playback a 1,000 Hz pre-recorded test tape and adjust Servo P.C Board (CA-2218) semi-fixed resistor VR1 (3 k Ω) shown in Fig. 10 to obtain a tape speed of 1,000 Hz \pm 0.5%.

V. HEAD ADJUSTMENT

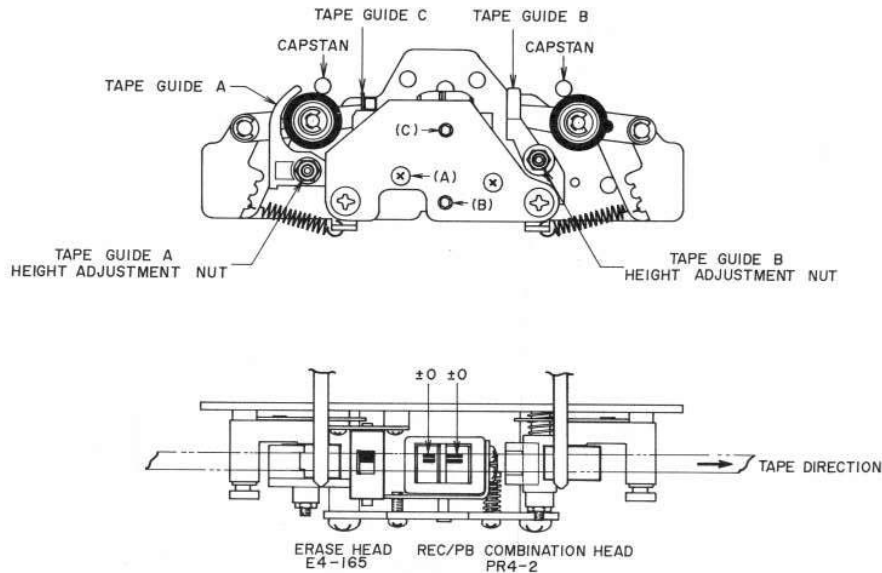


Fig. 11

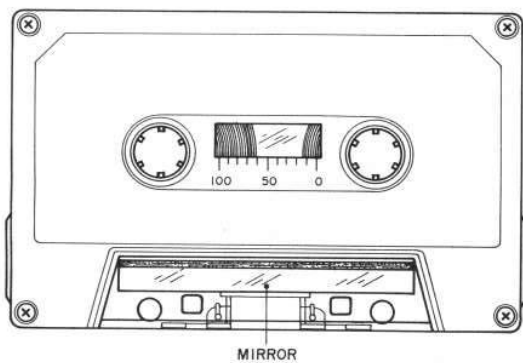


Fig. 12

1. TAPE GUIDE HEIGHT ADJUSTMENT

(See Fig. 11 and Fig. 12)

- 1) When using an ordinary cassette, the tape guides and heads, etc. are not visible. As shown in Fig. 12, use a cassette tape from which part of the cassette case has been cut out and a mirror installed for easy visibility of the head area when making tape guide height adjustment.
- 2) At playback mode, using erase head tape guide shown in Fig. 11 as standard for height, adjust tape guide A and tape guide B height with tape guide height adjustment nut so that the tape runs smoothly and does not catch on the tape guides.

2. HEIGHT ADJUSTMENT OF RECORDING/PLAYBACK COMBINATION HEAD

(See Fig. 11)

- 1) Utilize the cassette tape used in tape guide height adjustment above and playback the leader tape part of cassette tape.

- 2) As shown in Fig. 11, adjust head height with screws (A) (B) and (C) until the upper edge of the tape is the same height as the upper edge of the left channel REC/PB Comb. Head core.

3. AZIMUTH ALIGNMENT ADJUSTMENT OF RECORDING/PLAYBACK

COMBINATION HEAD (See Fig. 11)

- 1) Playback a 10 kHz pre-recorded cassette azimuth alignment test tape and adjust screw (A) to obtain maximum output on both channels.
- 2) Invert cassette and playback. Confirm that the line output level does not change from the above adjusted output level. If the output level differs from that obtained in Item 3-1) above, repeat head height and azimuth alignment until both sides of the test tape display equal output.
- 3) Supply a 10 kHz signal from an audio frequency oscillator to the line inputs and record at -20 VU on a blank tape.
- 4) Set Monitor Switch to TAPE position and adjust screw (A) shown in Fig. 11 to obtain maximum output on both left and right channels.
- 5) The recording and playback heads are joined to form a single structure. Therefore, when making azimuth alignment adjustment, because both head cores move, repeat adjustment 3-1) through 3-4) above until optimum azimuth alignment of the two head cores are obtained.

NOTES: 1. Be sure to clean the heads prior to head adjustment.

2. Be careful not to use a magnetized driver or other magnetized tools in the vicinity of the heads.

3. Be sure to demagnetize the heads with a Head Demagnetizer before and after head adjustment.

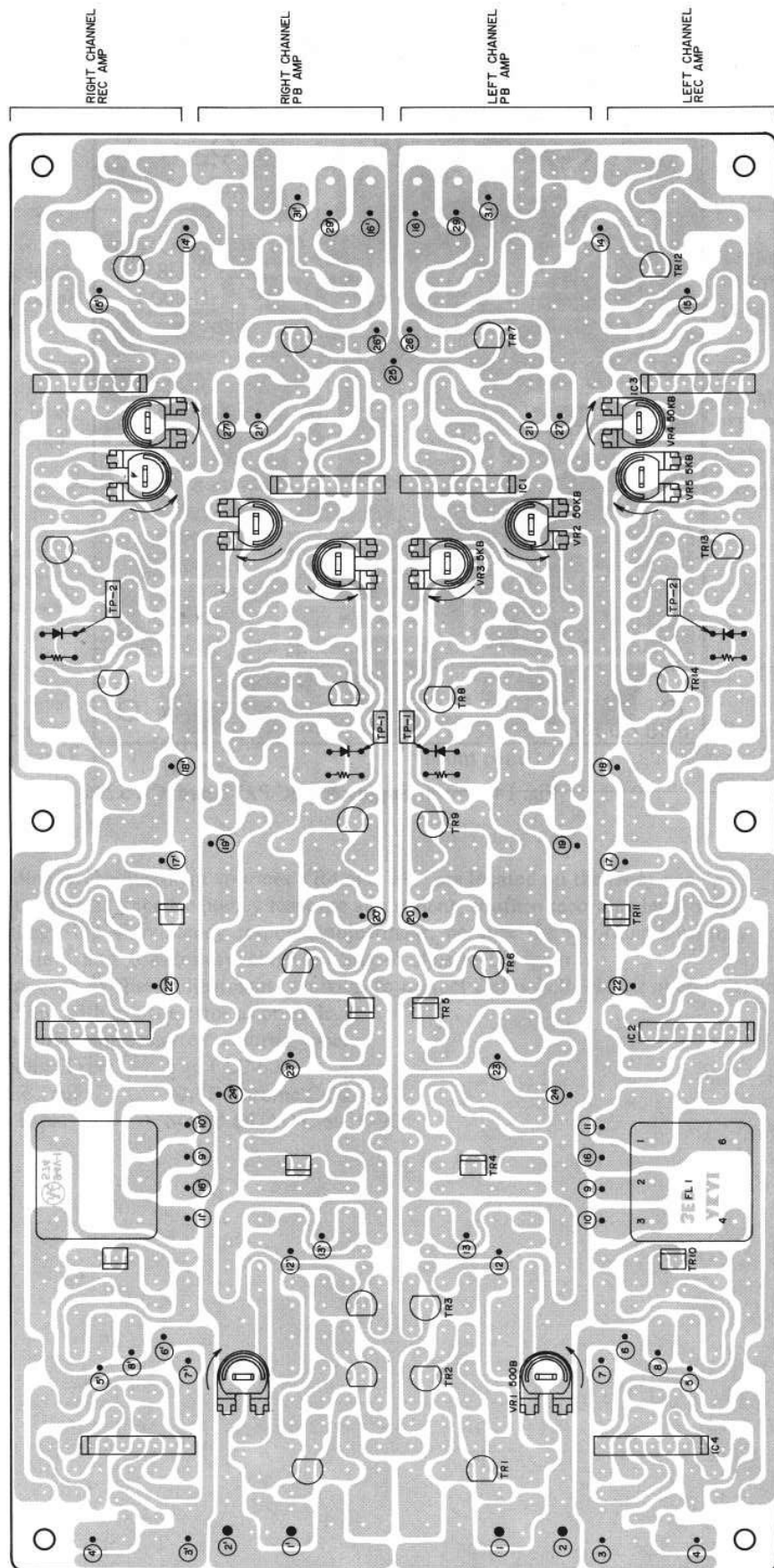


Fig. 13 Pre Amp P.C Board CA-5205

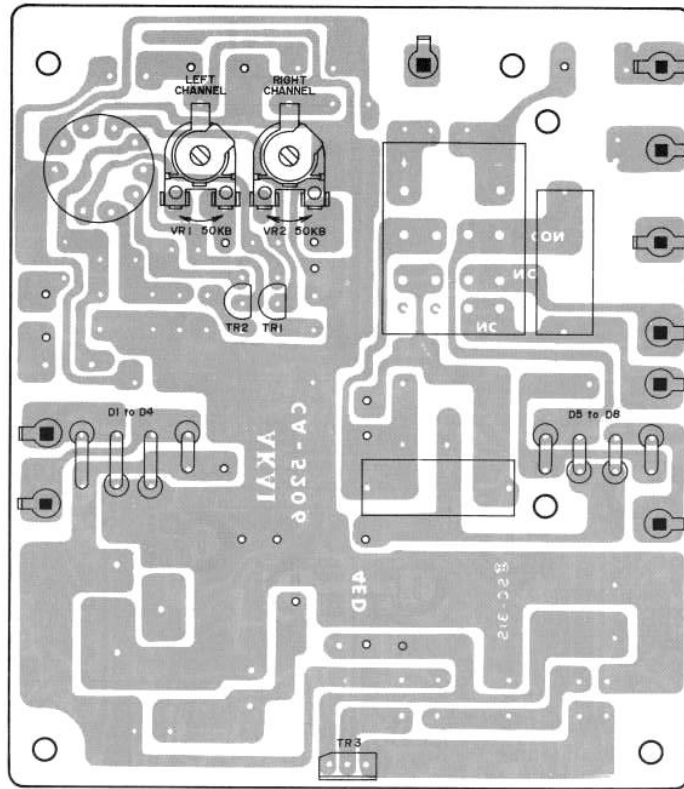


Fig. 14 Power Supply & OSC P.C Board CA-5206

VI. AMPLIFIER ADJUSTMENT

1. RECORDING/PLAYBACK AMPLIFIER (See Fig. 13, Fig. 14 and Chart-1)

Step	Adjustment Item	Test Tape Supply Signal	Mode	Adjustment Point	Result	Remarks
1	Playback level	333 Hz, 0 VU Test Tape	PLAY	VR1, 500B (CA-5205)	0 ± 0.5 dBm	
2	Recording level (low noise tape)	Low Noise Blank Tape 1,000 Hz, 0 VU recording	REC	VR4, 5 kB (Left channel) VR5, 5 kB (Right channel) (Front panel)	0 ± 0.5 dBm	Set Monitor Switch to "TAPE". Refer to Note 1.
3	Recording level (chrome tape)	Chromium dioxide Blank Tape 1,000 Hz, 0 VU recording	REC	None	0 ± 3.5 dBm	Set Monitor Switch to "TAPE". Refer to Note 2.
4	Frequency Response (low noise tape)	Low Noise Blank Tape 1,000 Hz 10,000-Hz -20 VU recording	REC	VR1, 50 kB (Left channel) VR2, 50 kB (Right channel) (CA-5206)	Flat Frequency Response from 1,000 Hz to 10,000 Hz	
5	Recording level Confirmation (low noise tape)	Low Noise Blank Tape 1,000 Hz, 0 VU recording	REC	VR4, 5 kB VR5, 5 kB (Front panel)	0 ± 0.5 dBm	Refer to Note 3.

Chart-1

- NOTES:
- Recording level adjustment volumes VR4 and VR5 are located on the front panel.
 - After Low Noise Tape frequency response adjustment, confirm recording level only.
 - Following Step 4 frequency response adjustment, because the recording level may be slightly changed, confirm level and, if necessary, carry our Step-2 adjustments again.
 - Because each of these adjustments are vital to perfect Dolby N.R. circuit operation, be sure that they are carried out with as little error as possible.
 - Use the following cassette measuring tape:
 Low Noise Tape: Fuji FLC-60
 Chrome Tape: BASF Chrome C-60, C-90
 Fe-Cr Tape: SONY DUAD C-60, C-90

2. DOLBY NOISE REDUCTION CIRCUIT

ADJUSTMENT (See Fig. 13)

- NOTES:
1. Because the establishment of the 5 kHz adjustment signal and level, etc. is vital to correct Dolby Noise Reduction circuit adjustment, use only calibrated measuring instruments.
 2. Level deviation must be within ± 0.5 dB.
 3. After Dolby Noise Reduction circuit adjustments have been made, do not change recording or playback levels.

1) Recording Dolby Noise Reduction Amplifier

Adjustment (See Fig. 13)

- a. Set Monitor Switch to SOURCE, and Tape Selector Switch to LOW NOISE.
- b. Ground Test Point TP2 and turn adjustment semi-fixed resistors VR4 (50 k Ω) and VR5 (5 k Ω) as far as they will go in the direction of the arrow mark.
- c. With Recording Level Control set to 12 o'clock position, supply a 5 kHz signal to the line input and obtain a -28.5 dBm line output level.
- d. Connect a Voltmeter to the center terminal of front panel REC CAL Volume VR4 (left channel) and VR5 (right channel), and adjust REC CAL Volumes to obtain a -30 dBm AC Voltmeter indication.
- e. With the Dolby Noise Reduction Switch at ON, adjust semi-fixed resistor VR4 (50 k Ω) shown in Fig. 13 to obtain a -20 dBm level at center terminal of REC CAL Volume.
- f. Disconnect Test Point TP2 from ground and adjust semi-fixed resistor VR5 (5 k Ω) shown in Fig. 13 to obtain a -22 dBm level at center terminal of REC CAL volume.

2) Playback Dolby Noise Reduction Amplifier

Adjustment (See Fig. 13)

- a. Set Monitor Switch to TAPE and Tape Selector Switch to LOW NOISE.
- b. Ground Test Point TP1 and turn adjustment semi-fixed resistors VR2 (50 k Ω), and VR3 (5 k Ω) as far as they will go in the direction of the arrow mark.
- c. Set deck to playback mode.
- d. Supply a 5 kHz signal to terminal (13) shown in Fig. 11 and obtain a -20 dBm line output level.
- e. Set the Dolby Noise Reduction Switch to ON and adjust semi-fixed resistor VR3 (5 k Ω) to obtain a -30.5 dB line output level.
- f. Disconnect Test Point TP1 from ground and adjust semi-fixed resistor VR3 (5 k Ω) to obtain a -28.5 dBm line output level.

VII. DC RESISTANCE OF VARIOUS COILS

Part	Designation	DC Resistance
Main Motor	SCM-700	Between YLW-BLU : 210 ohms Between YLW-RED : 197 ohms Between RED-BLU : 190 ohms Pick-up coil : 670 ohms
Play Solenoid	1660PHT3	700 ohms $\pm 10\%$
Auto Stop Solenoid	0730THT1	15 ohms $\pm 10\%$
Relay	LC2-2	640 ohms $\pm 10\%$
Headphone Transformer	N19-349S	Primary : 160 ohms $\pm 15\%$ Secondary : 0.64 ohms $\pm 15\%$
Oscillator Coil	OT-925	Between 1-3 : 0.3 ohms Between 4-6 : 1.5 ohms Between 7-9 : 6.1 ohms
Recording/Playback Combination Head	PR4-2	REC : 22 ohms $\pm 5\%$ PB : 250 ohms $\pm 5\%$
Erase Head	E4-165	2.5 ohms

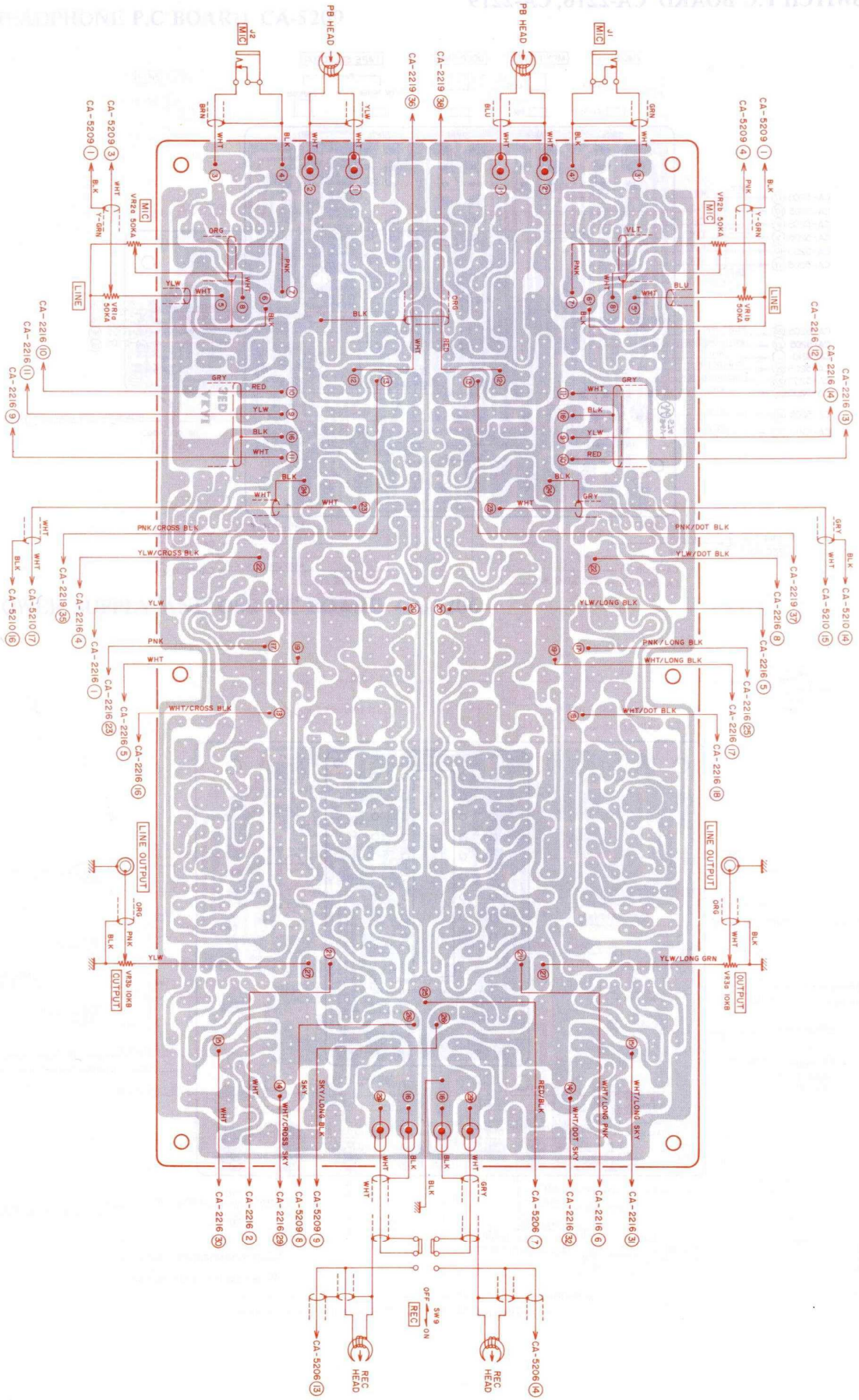
Chart-2

VIII. CLASSIFICATION OF VARIOUS P.C BOARDS

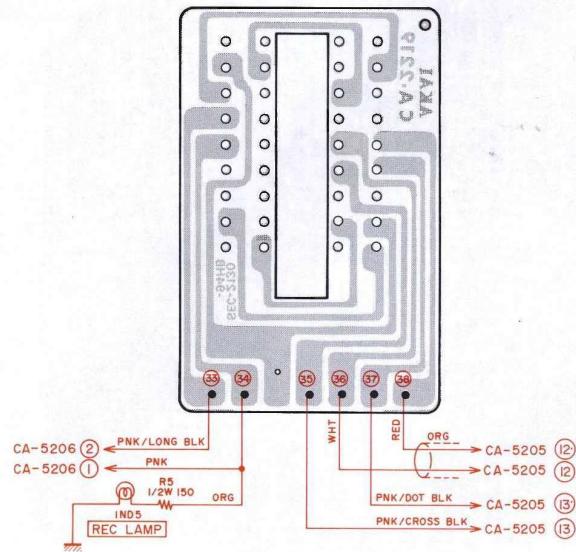
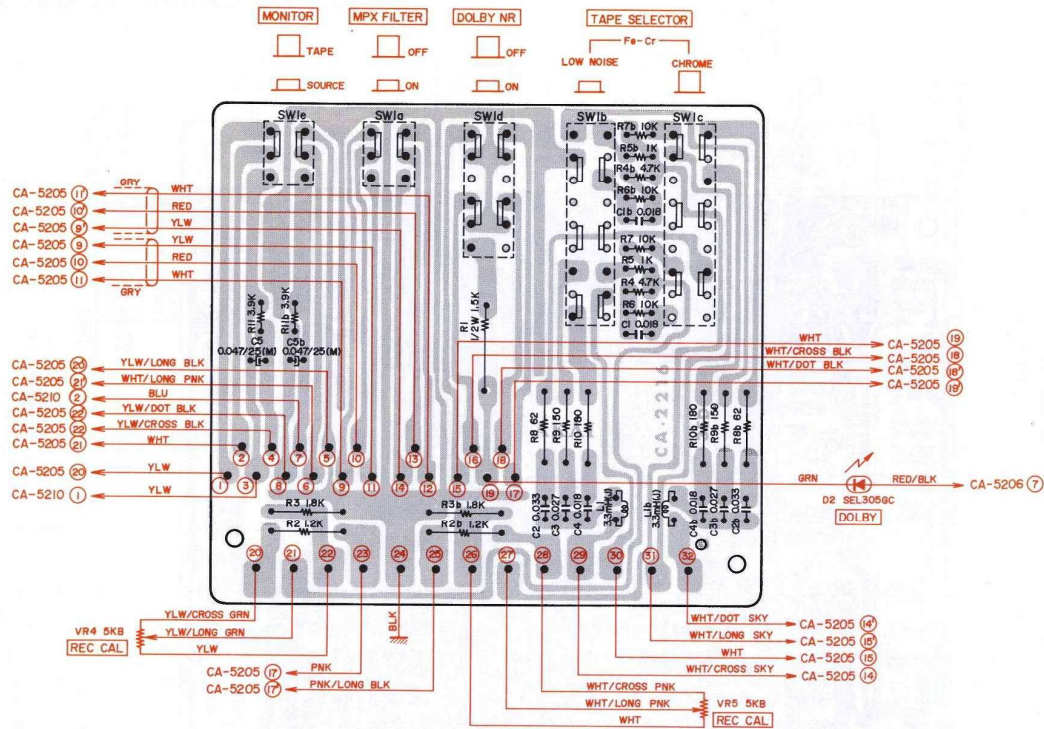
1. RELATION OF P.C BOARD TITLE AND NUMBER

P.C Board Title	P.C Board Number
Pre Amp P.C Board	CA-5205
Switch P.C Board	CA-2216, CA-2219
Headphone and OSC P.C Board	CA-5209
Power Supply and OSC P.C Board	CA-5206
System Control P.C Board	CA-5210
Servo P.C Board	CA-2218

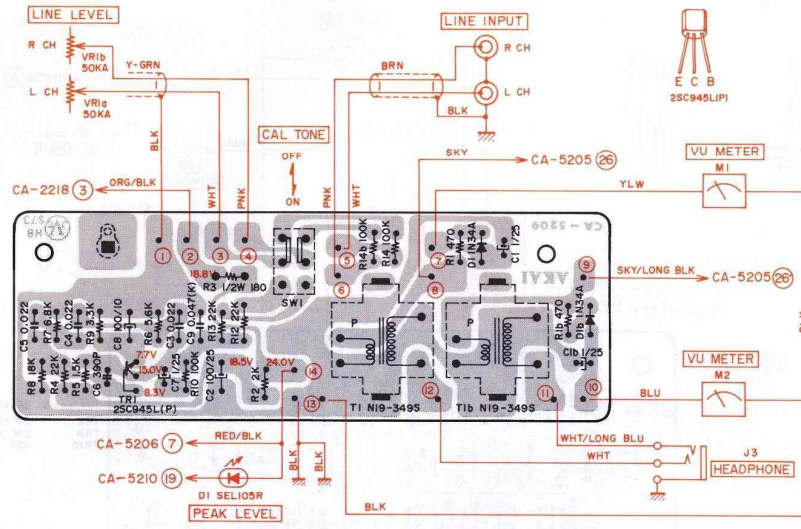
Chart-3



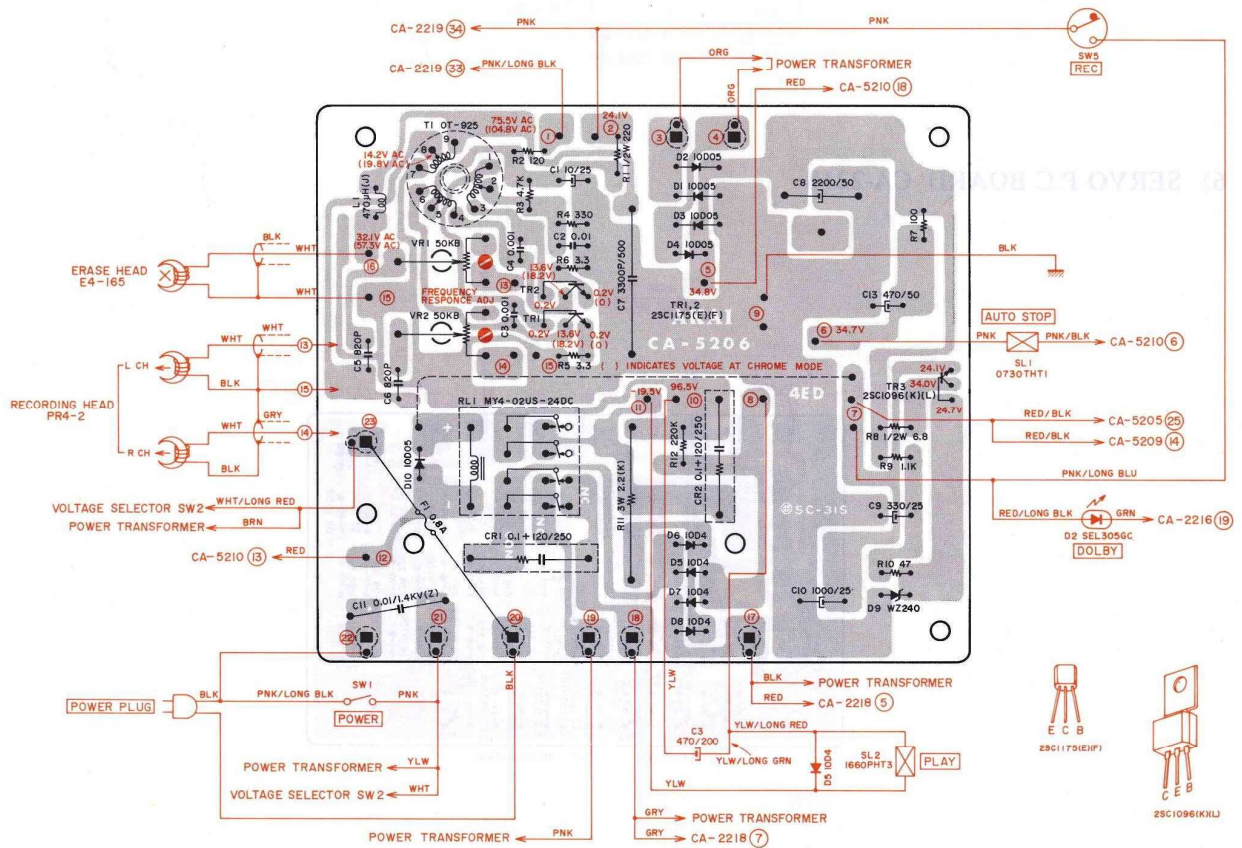
2) SWITCH P.C BOARD CA-2216, CA-2219



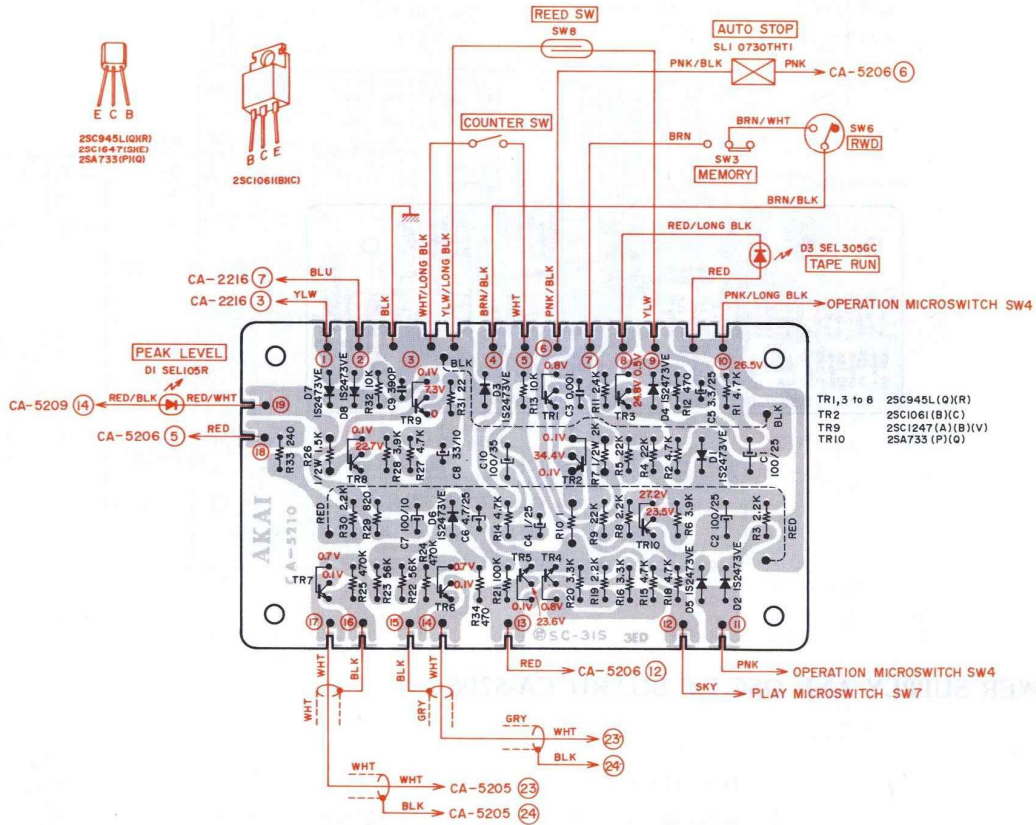
3) HEADPHONE P.C BOARD CA-5209



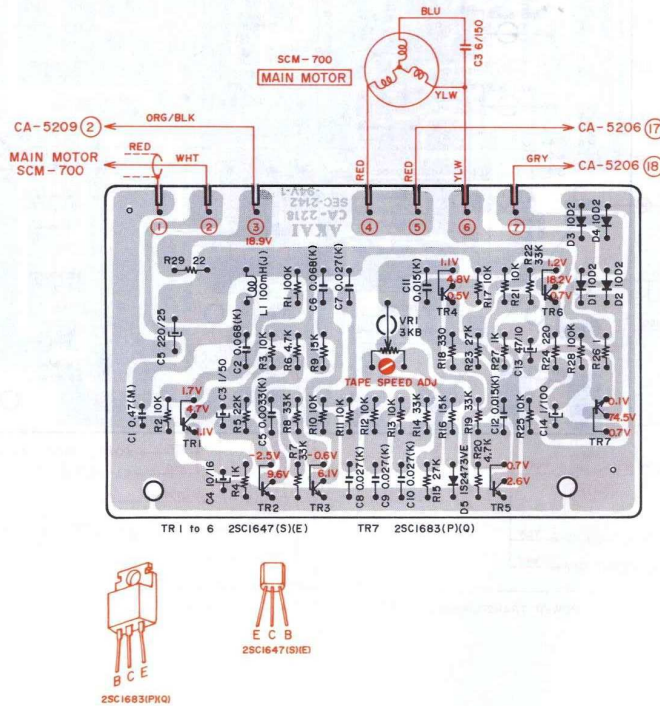
4) POWER SUPPLY AND OSC P.C BOARD CA-5206



5) SYSTEM CONTROL P.C BOARD CA-5210



6) SERVO P.C BOARD CA-2218



SECTION 2

PARTS LIST

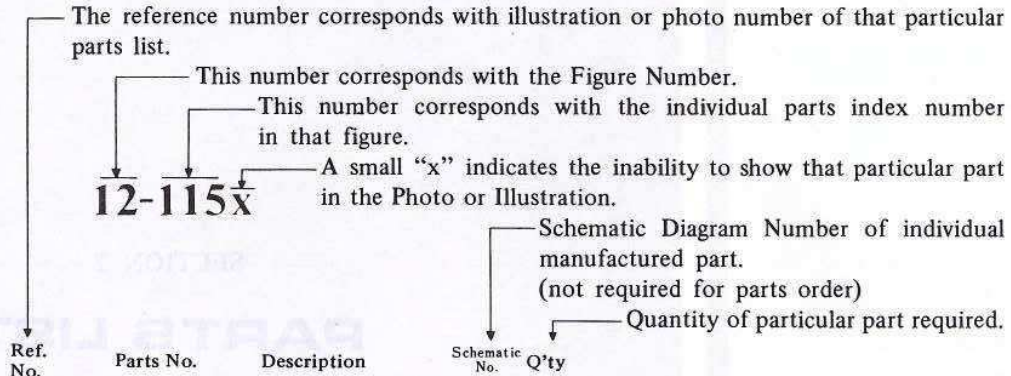
TABLE OF CONTENTS

RECOMENDED SPARE PARTS LIST	27
1. HEAD BASE/SUB FRAME BLOCK	29
2. REEL TABLE BLOCK	30
3. MOTOR BLOCK	31
4. SUB CHASSIS BLOCK	32
5. CASSETTE HOLDER BLOCK	33
6. FRONT CHASSIS BLOCK	34
7. MECHA FRAME BLOCK (1)	35
8. MECHA FRAME BLOCK (2)	36
9. P.C BOARDS	38
(1) PRE AMP P.C BOARD (CA-5205) BLOCK	38
(2) SW P.C BOARD (CA-2216, 2219) BLOCK	38
(3) HEADPHONE & OSC P.C BOARD (CA-5209) BLOCK	38
(4) POWER SUPPLY & OSC P.C BOARD (CA-5206) BLOCK	38
(5) SYS. CON P.C BOARD (CA-5210) BLOCK	38
(6) SERVO P.C BOARD (CA-2218) BLOCK	39
10. AMP ASSEMBLY BLOCK	40
11. FINAL ASSEMBLY BLOCK	41
12. LIST OF INTERCHANGEABLE SEMICONDUCTORS	42
INDEX	43

Resistor and Capacitor which is not listed in this parts list, please refer to COMMON LIST FOR SERVICE PARTS.

HOW TO USE THIS PARTS LIST

1. This parts list is compiled by various individual blocks based on assembly process.
2. When ordering parts, please describe parts number, serial number, and model number in detail.
3. How to read List



FLYWHEEL BLOCK #13

12-115x	800425	Flywheel Block Assy. Comp.	RDG #13	1
12-116	244506	Flywheel Only	RD-233	1
12-117x	244754	Felt, Flywheel	RD-275	1
12-118	251324	Main Metal Case	RD-236	1
12-119	253080	Main Metal	RD-237	1

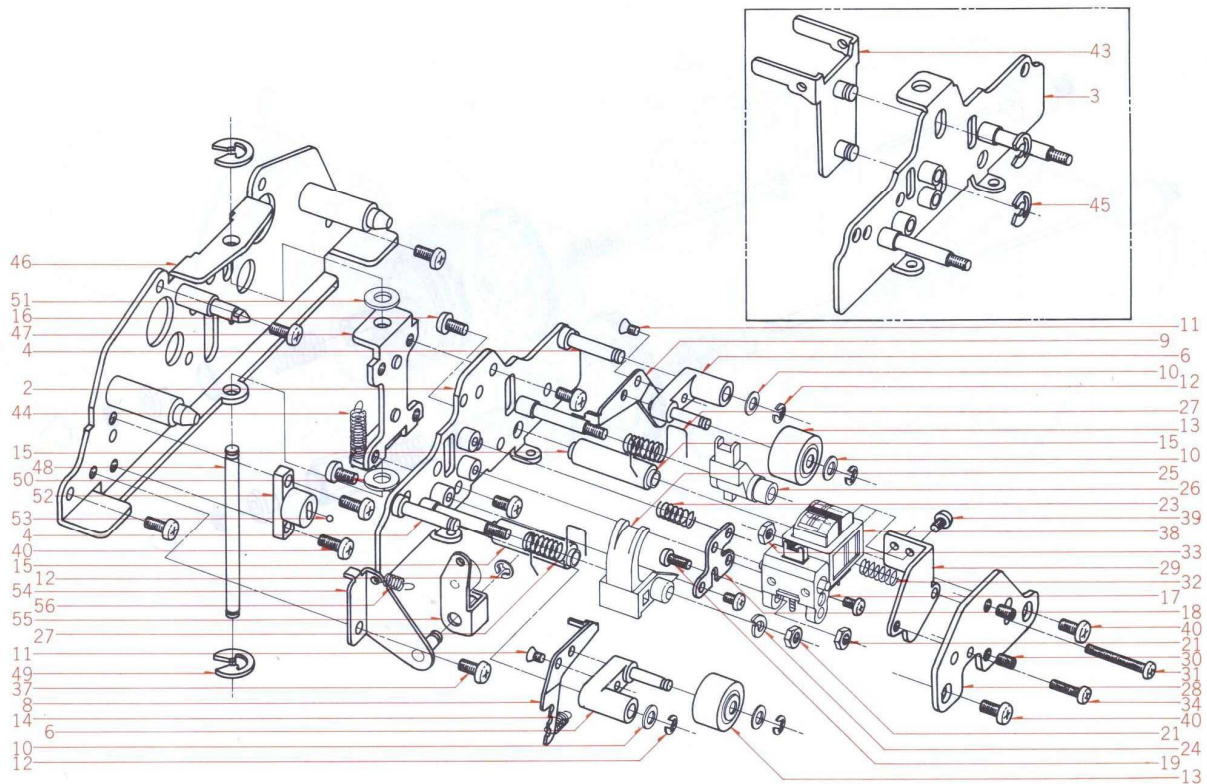
4. The symbol numbers shown on the P.C. Board list can be matched with the Composite Views of Components of the Schematic Diagram or Service Manual.
5. Please utilize separate "Common List for Service Parts" for Resistor Parts orders.
6. The shape of the parts and parts name, etc. can be confirmed by comparing them with the parts shown on the Electrical Parts Table of P.C. Board.
7. Both the kind of part and installation position can be determined by the Parts Number. To determine where a parts number is listed, utilize Parts Index at end of Parts List.
It is necessary first of all to find the Parts Number. This can be accomplished by using the Reference Number listed at right of parts number in the Parts Index. (meaning of ref. no. outlined in Item 3 above).
8. Utilize separate "Price List for Parts" to determine unit price. The most simple method of finding parts Price is to utilize the reference number.

RECOMMENDED SPARE PARTS LIST

Parts No.	Description	Note
BA235607	Servo P.C Board Comp. CA-2218	
BA661195	Headphone & OSC P.C Board Comp. CA-5209	
BA661217	Pre Amp P.C Board Comp. CA-5205	
BA661296	Sys. Con P.C Board Comp. CA-5210	
BA661307	SW. P.C Board Comp. CA-2216, CA-2219	
BA661206	Power Supply & OSC P.C Board Comp. CA-5206	
BA671106	Power Supply & OSC P.C Board Comp. CA-5206	CEE
BA671117	Power Supply & OSC P.C Board Comp. CA-5206	CSA
BA671128	Power Supply & OSC P.C Board Comp. CA-5206	JPN
BC647076	Cabinet CA-6008	
BD661151	Front Panel Block Comp.	
BD681491	Lid Panel Block Comp.	Same as GXC-760D
BK650070	Keyboard	Same as GXC-710D
BM670151	Motor (SCM-700) Block Comp.	
BR637716	Take-up Reel Table Block Comp.	Same as GXC-710D
BR670926	Supply Reel Table Block Comp.	
BT669846	Power Trans. CA-5	
BT675573	Power Trans. CA-8	CEE
BT675538	Power Trans. CA-7	CSA
BT675540	Power Trans. CA-6	JPN
ED491130	Zener Diode WZ-085	
ED511918	Zener Diode WZ-240	
ED656346	Luminous Diode SEL-305GC	
ED656357	Luminous Diode SEL-150R	
EI657000	IC TA7129P	
EI669655	IC μ PC1024H	
EI669666	IC μ PC1023H	
EI669712	IC TA7122AP	
EJ645827	3-throw Jack B	
EJ669745	4P Jack Plate	
EL295312	Lamp (L/T) 8V 0.2A	
EL390576	Lamp (L/T) 24V 50 MA	
EM619705	VU Meter D18A66R	JPN
EM666450	VU Meter D18A68R	U/T, CEE
EO243988	Ferri Inductor FL7H 3.3 MH (J)	
EO308395	Ferri Inductor FL7H 3 MH (J)	
EO368403	Ferri Inductor FL9H 33 MH (J)	
EO496350	Inductor 146LY 36 MH (J)	
EO538391	Ferri Inductor FL11H 100 MH (J)	
EO620482	OSC Coil OT-925 23-4-31	
EO679713	OSC Coil OT-925 23-4-36	Interchangeable with 23-4-31
EO669734	MPX Filter FB1801M	
EO682367	Ferri Inductor FS1215S-471JR20	
EP494425	Plunger Solenoid 0730THT-1	
EP638706	Plunger Solenoid 1660PHT-3	
EP638763	Relay MY4-02-US DC24V	
ES227215	Push SW. SPJ10215	

Parts No.	Description	Note
ES389700	Micro SW. SS-5	
ES469541	Push SW. TV-3 JB52	
ES479485	Slide SW. S-1	
ES494188	Micro SW. SS-5GL-13	
ES499972	Push SW. JS-09	
ES516036	Reed SW. ORD-225	
ES619053	Push SW. SPJ-10114B	
ES664615	Push SW. SPJ-10113	
ES669677	Push SW. 5FT-0004EF2020	
ET375603	Transistor 2SC1061 (B) (C)	
ET453611	Transistor 2SC1096 (L) (K) (Z-Type),	
ET459810	Transistor 2SC1222 (E) (F)	
ET511920	Transistor 2SC1247A (B) (V)	
ET592424	Transistor 2SC1647 (S) (E)	
ET622080	Transistor 2SC1175 (E) (F)	
ET635826	Transistor 2SC1683 (P) (Q)	
ET645917	FET 2SK30A (D)	
ET669633	FET 2SK68A (L) (M)	
EV464207	Semi-fixed/Vol. V8K4-1 5 kB	
EV464220	Semi-fixed/Vol. V8K4-1 50 kB	
EV523620	Semi-fixed/Vol. V8K4-1 500B	
EV669756	2-axial 2-throw Vol. V24L5DWTN 50 kA×2	
EV669767	Co-axial 2-throw Vol. V24L5GWTN 10 kB×2	
EV669868	Vol. V12M4-1N15FH 5 kB	
HE636963	ERASE HEAD E4-165	Same as GXC-760D
HP671174	REC/PB HEAD PR4-2	Same as GXC-760D
MB415743	Counter Belt A D96×1×1 CC-1034	
MB659823	Drive Belt CA-1204	
MB665526	Capstan Belt CA-1211	
MC645985	Counter SMP-390-73	
MP612628	Pinch Roller CW-0010	
MS659902	Tape Guide CA-0207	
MS659913	Tape Guide B CA-0208	
SE613888	Button Escutcheon A CW-6021	
SE631585	Button Escutcheon D CG-6814	
SE659654	VU Escutcheon B CA-6004	
SE659665	Counter Escutcheon B CJ-6007	
SK631304	Push Button Knob I 91-5051	
SK645030	Single Knob B CA-6013	
SK654750	Double Knob (Lower) CA-6202	
SK669960	CAL Knob CA-5202	
SK669971	REC CAL Knob CA-5203	
SK669993	Double Knob (Upper) CA-6201	
SZ639685	Lamp Lens B-1 NE-6005	
SZ645221	Memory Cap CA-6010	
TC494267	Lamp Cover CG-2206	
ZW526577	Collar B, Jack MC-5006	

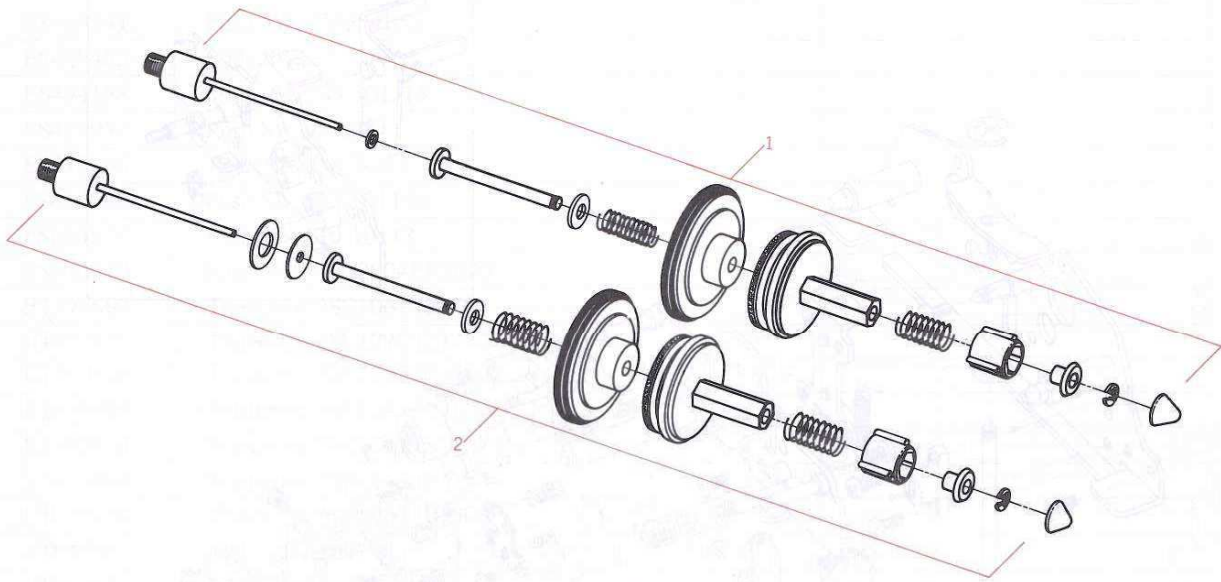
1. ILLUSTRATION OF HEAD BASE/SUB FRAME BLOCK



1) HEAD BASE/SUB FRAME BLOCK

Ref. No.	Parts No.	Description	Schematic No.	Q'ty	Ref. No.	Parts No.	Description	Schematic No.	Q'ty
HEAD BASE BLOCK					SUB FRAME BLOCK				
1-1x	BH211105	Head Base Block Comp.	CA2,CB,CI	1	1-33	ZW556650	Nut M2.3		1
1-2	HZ227158	Head Base D (Old)	CA-0018	1	1-34	ZS391522	Screw, pan head 2.3x8		1
1-3	HZ236834	Head Base F (New)	CA-0020	1	1-35x	ZW562476	Earth Lug M3 (Old)		1
1-4	MS227136	PW Arm Shaft B	CA-0017	2	1-36x	ZW273881	Earth Lug M4 (New)		1
1-5x	ZW273756	Nut M3		2	1-37	ZS417216	Screw, pan head 3x4 (Old)		2
1-6	TC645063	PW Arm, w/shaft	CA-0004	2	1-38	HP671174	REC/PB HEAD PR4-2	CW1,CA2,CB	1
1-7x	ZW273745	Spring Washer M3		2	1-39	ZS461395	Screw, round head 2x3		2
1-8	HZ641621	Arm A	CA-0006	1	1-40	ZS379350	Screw, pan head 3x6		4
1-9	TC641632	Arm B	CA-0006	1	1-41x	EA669510	PR4-1 Terminal P.C Board	CW-0045	1
1-10	ZW364364	Washer (Polyslider) D3.1x4.8x0.25t		4	1-42x	MT553948	Wire Band B	2-35-3	1
1-11	ZS524812	Screw, countersunk head 2x4		2	1-43	HL260447	Head Base Plunger (B), w/pin (New)	CA-2100	1
1-12	ZW270088	'E' Ring 1.9M	6-1-9	5	1-44	ZG659946	Head Table Press Spring (New)	CA-1202	2
1-13	MP612628	Pinch Roller	CW-0010	2	1-45x	ZW270101	'E' Ring 3M (New)	6-1-9	2
1-14	ZG644411	PW Arm Spring	CA-0009	2	SUB FRAME BLOCK				
1-15	HZ644400	Head Hanger Post	CA-0007	2	1-46	TC678622	Sub Frame B, w/pin	CA-2009	1
1-16	ZS379405	Screw, binding head 3x6		2	1-47	HZ642093	Head Base Guide (Old)	CA-2015	1
1-17	HE636963	ERASE HEAD E4-165	CW,CA2,CB,CI	1	1-48	MS644872	Guide Shaft	CA-2012	1
1-18	HZ227103	Erase Head Plate B	CA-0213	1	1-49	ZW290283	'U' Ring 2.85M	6-1-1	2
1-19	ZS464692	Screw, binding head 2.3x6		1	1-50	ZW394086	Washer (Nylon) D4.1x7x1t		1
1-20x	ZS477876	Screw, pan head 2x3		2	1-51	ZW259773	Washer (Nylon) D4.1x7x0.5t		1
1-21	ZW485728	Nut M2.3		3	1-52	MS645153	Ball Guide	CA-2013	1
1-22x	ZS608106	Screw, pan head 2x6		1	1-53	MV522235	Steel Ball 3/32 inch		1
1-23	ZG227114	EH Adjust Spring	CA-0214	1	1-54	MZ642104	Arm Shaft Bracket, w/arm shaft	CA-2016	1
1-24	ZW273666	Spring Washer M2.3		1	1-55	TC642115	Pressure Roller Arm, w/roller	CA-2018	1
1-25	MS659913	Tape Guide B	CA-0208	1	1-56	ZG569384	Selector Spring	CP-1166	1
1-26	MS659902	Tape Guide	CA-0207	1	SUB FRAME BLOCK				
1-27	ZG659880	Tape Guide Spring	CA-0205	2	1-57x	ZW699570	Thrust Washer A	CA-2098	1
1-28	HZ669892	Head Hanger B	CA-0201	1	1-58x	ZW699581	Thrust Washer B	CA-2098	1
1-29	HZ669903	Head Mt. Parts	CA-0203	1	1-59x	ZW699592	Thrust Washer C	CA-2098	1
1-30	ZS356804	Set Screw, hexagon socket 3x4 (CUP/P)		2	1-60x	ZW699603	Thrust Washer D	CA-2098	1
1-31	ZS303625	Screw, pan head 2.3x16		1					
1-32	ZG465636	Angle Adjust Spring	CG-0029	1					

2. ILLUSTRATION OF REEL TABLE BLOCK

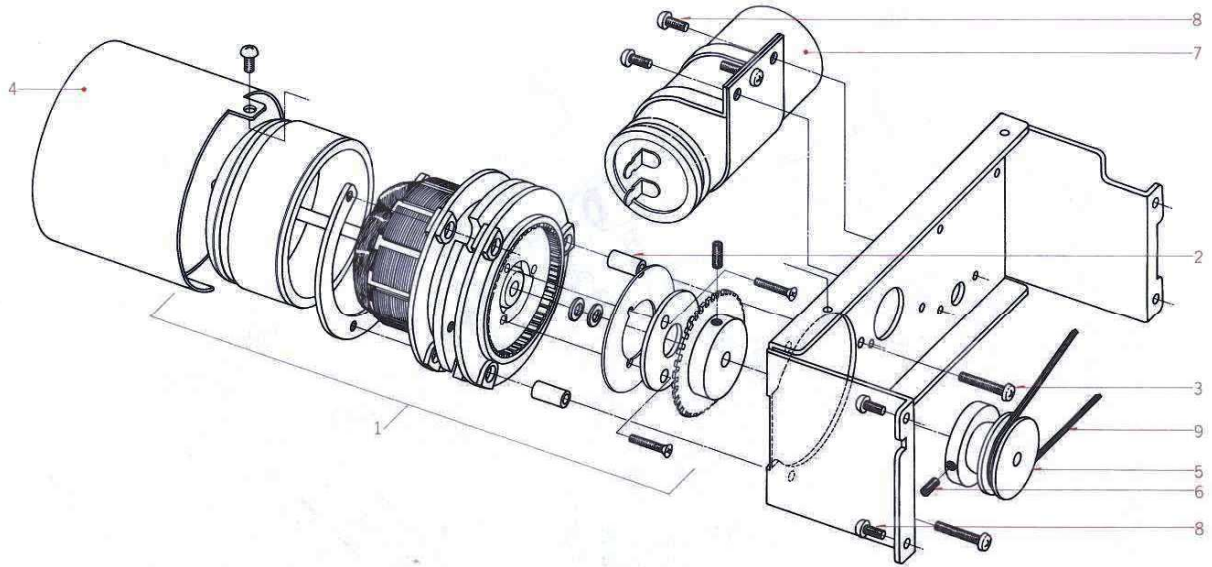


2) REEL TABLE BLOCK

Ref. No.	Parts No.	Description	Schematic No.	Q'ty
2-1	BR637716	Take-up Reel Table Block		1
		Comp.	CA1,2	
2-2	BR670926	Supply Reel Table Block		1
		Comp.	CA2	

When ordering parts, Please describe Parts Number, Serial Number, and Model Number in detail.

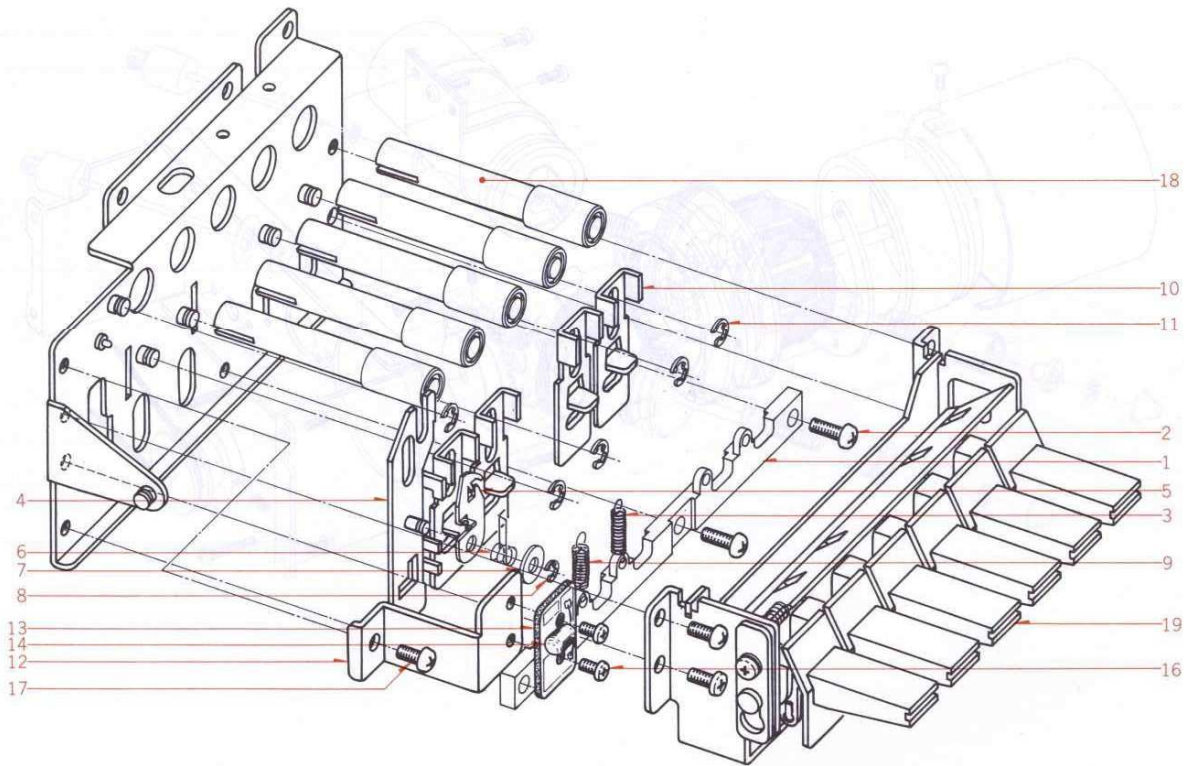
3. ILLUSTRATION OF MOTOR BLOCK



3) MOTOR BLOCK

Ref. No.	Parts No.	Description	Schematic No.	Q'ty
3-1	BM661241	Motor Block Comp. (SCM-700)		1
3-2	MZ659981	Stop Tube	CA-2205	3
3-3	ZS422965	Screw, pan head 3x15		3
3-4	MZ669881	Motor Shield	CA-7206	1
3-5	MR659992	Motor Pulley S	CA-2206	1
3-6	ZS356815	Set Screw, hexagon socket 3x6 (CUP/P.)		2
3-7	EC412582	MP/C. (Lug Type UNI/D.) 6 μ F 150WV AC	24-9-55	1
3-8	ZS325495	Tapping Screw #2 3x6 (BR)		2
3-9	MB659823	Drive Belt	CA-1204	1

4. ILLUSTRATION OF SUB CHASSIS BLOCK

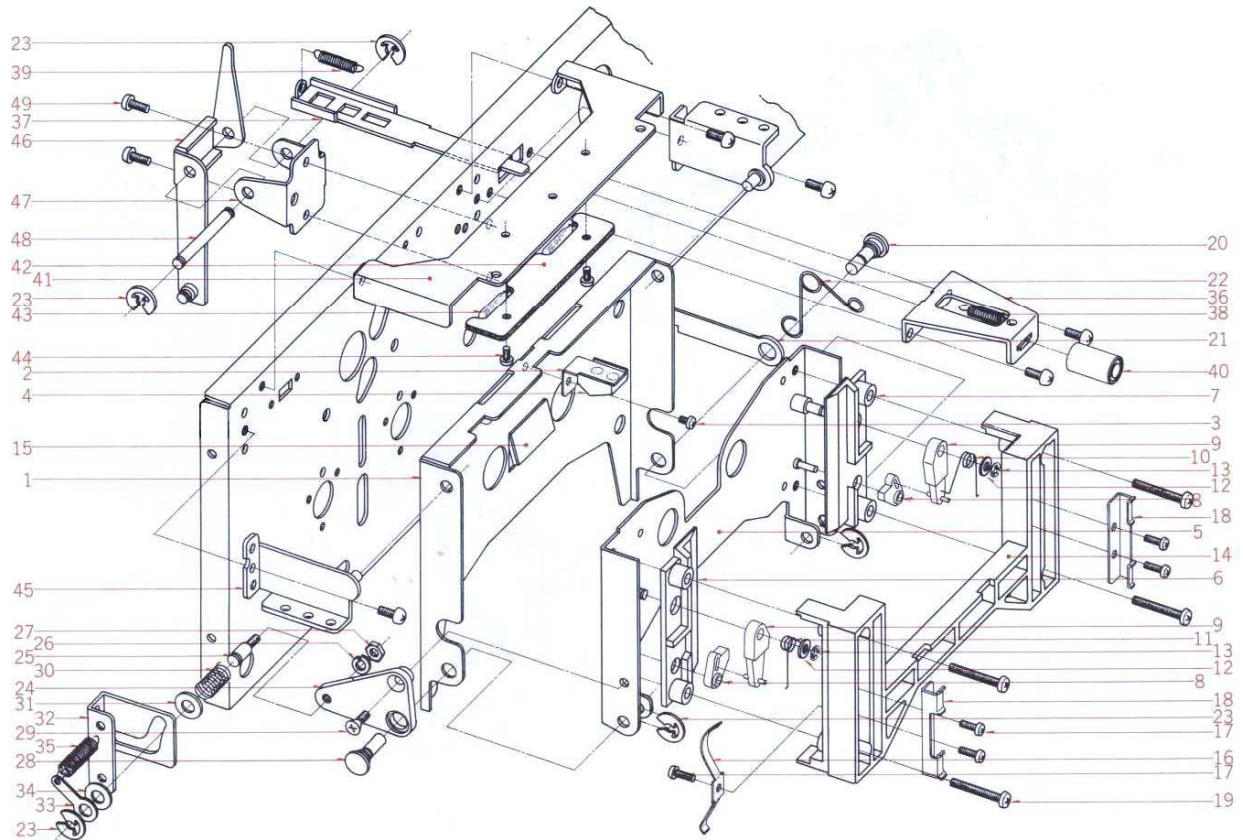


4) SUB CHASSIS BLOCK

Ref. No.	Parts No.	Description	Schematic No.	Q'ty
4-1	MS645175	Slider Guide	CA-2035	1
4-2	ZS609208	Tapping Screw #2 3x8 (Pan)		3
4-3	ZG525306	Spring 2	CV-2070	1
4-4	TC642172	Pause Slider, w/pin A	CA-2034	1
4-5	TC515575	SW. Lock Cam B	CG-2301	1
4-6	ZG632553	Button Lock Spring C	CG-2303	1
4-7	ZW550642	Washer (SPC) D3.1x8x0.5t		1
4-8	ZW270088	'E' Ring 1.9M	6-1-9	1
4-9	ZG392848	Operation Lever Spring	CS-2102	1
4-10	TC642161	Inter Lock Slide	CA-2033	4
4-11	ZW270101	'E' Ring 3M	6-1-9	5
4-12	TC642183	LP Mount	CA-2036	1
4-13	EA668340	REC. Lamp P.C Board	CA-2078	1
4-14	EL390576	Lamp (L/T) 24V 50MA	28-2-6	1
4-15x	ER551621	Carbon/R. (Insu. Type) RD1/2W 150 ohms (J)	35-9-15	1
4-16	ZS417161	Screw, pan head 2.3x4		2
4-17	ZS325495	Tapping Screw #2 3x6 (BR)		1
4-18	SB645232	Selector Button	CA-6011	5
4-19	BK650070	Keyboard	25-5-200	1
4-20	ZS379350	Screw, pan head 3x6		2
4-21	ZS325495	Tapping Screw #2 3x6 (BR)		2
4-22	ZS421806	Screw, pan head 3x8		1

When ordering parts, Please describe Parts Number, Serial Number, and Model Number in detail.

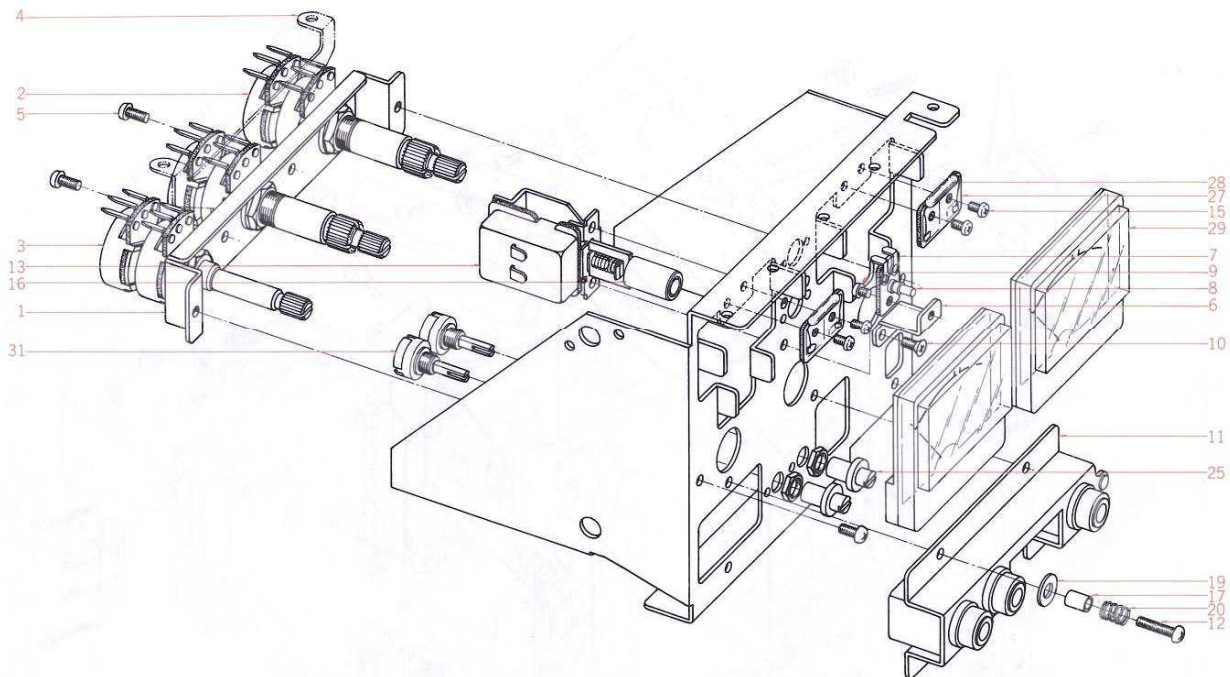
5. ILLUSTRATION OF CASSETTE HOLDER BLOCK



5) CASSETTE HOLDER BLOCK

Ref. No.	Parts No.	Description	Schematic No.	Q'ty	Ref. No.	Parts No.	Description	Schematic No.	Q'ty
CASSETTE HOLDER BLOCK									
5-1	TC646931	Trap, w/boss	CA-2020	1	5-28	MH644916	Hinge Pin	CA-2028	1
5-2	ZG678464	Set Spring	CA-2092	1	5-29	ZS414033	Screw, countersunk head 3x8		1
5-3	ZS201407	Screw, pan head 2.3x3		1	5-30	ZG316765	REC. Button Spring	MR-252	1
5-4	TC678475	Cassette Retainer	CA-2091	1	5-31	ZW450753	Washer (Nylon) D4.2x9x1t		1
5-5	TC646920	Cassette Holder, w/pin	CA-2023	1	5-32	MS642374	Eject Guide	CA-2066	1
5-6	MS595563	Cassette Guide L	CH-2007	1	5-33	ZW273881	Earth Lug M4		1
5-7	MS595552	Cassette Guide R	CH-2006	1	5-34	ZW420682	Washer (Nylon) D4.2x9x0.5t		1
5-8	ML595574	Detector Lever A	CH-2008	2	5-35	ZG580746	Tension Spring	TD-2074	1
5-9	ML595585	Cassette Lever B	CH-2009	2	EJECT BUTTON BLOCK				
5-10	ZG595618	Spring A	CH-2004	1	5-36	TC642273	Eject Slot	CA-2052	1
5-11	ZG595620	Spring B	CH-2005	1	5-37	TC642284	Eject Key	CA-2053	1
5-12	ZW592391	Washer (PBP) D3.3x6x0.3t		2	5-38	ZG542204	Spring A	CZ-1010	1
5-13	ZW270088	'E' Ring 1.9M	6-1-9	2	5-39	ZG422223	Return Spring	PX-A132	1
5-14	TC647065	Cassette Case	CA-2024	1	5-40	SK631304	Push Button Knob I	91-5051	1
5-15	TC645186	Reflector	CA-2071	1	LAMP STAND BLOCK				
5-16	ZG207257	Sheet Spring B	CI-2019	2	5-41	TC642363	Lamp Stand	CA-2065	2
5-17	ZS669104	Tapping Screw #2 2.3x6 (PAN)		6	5-42	EA647190	Lamp P.C Board	CA-2064	1
5-18	TC642148	Lid Chuck	CA-2026	2	5-43	EL295312	Lamp (L/T) 8V 0.2A	28-2-8	2
5-19	ZS592402	Screw, pan head 3x18		4	5-44	ZS417161	Screw, pan head 2.3x4		3
5-20	MH664064	Hinge Pin B	CB-2029	1	5-45	TC642071	Pin Stand, w/pin	CA-1099	2
5-21	TC666156	Band Plate B	CB-2024	1	5-46	ML641698	Eject Lever, w/pin	CA-1037	1
5-22	ZG644938	Click Spring	CA-2031	1	5-47	TC641700	Eject Lever Pillow	CA-1038	1
5-23	ZW290283	'U' Ring 2.85M	6-1-1	5	5-48	MH644646	Eject Lever Pin	CA-1036	1
5-24	TC645164	Eject Guide Arm	CA-2027	1	5-49	ZS325495	Tapping Screw #2 3x6 (BR)		2
5-25	MH644927	Guide Pin	CA-2029	1					
5-26	ZW273914	Spring Washer M4		1					
5-27	ZW516993	Nut M3		1					

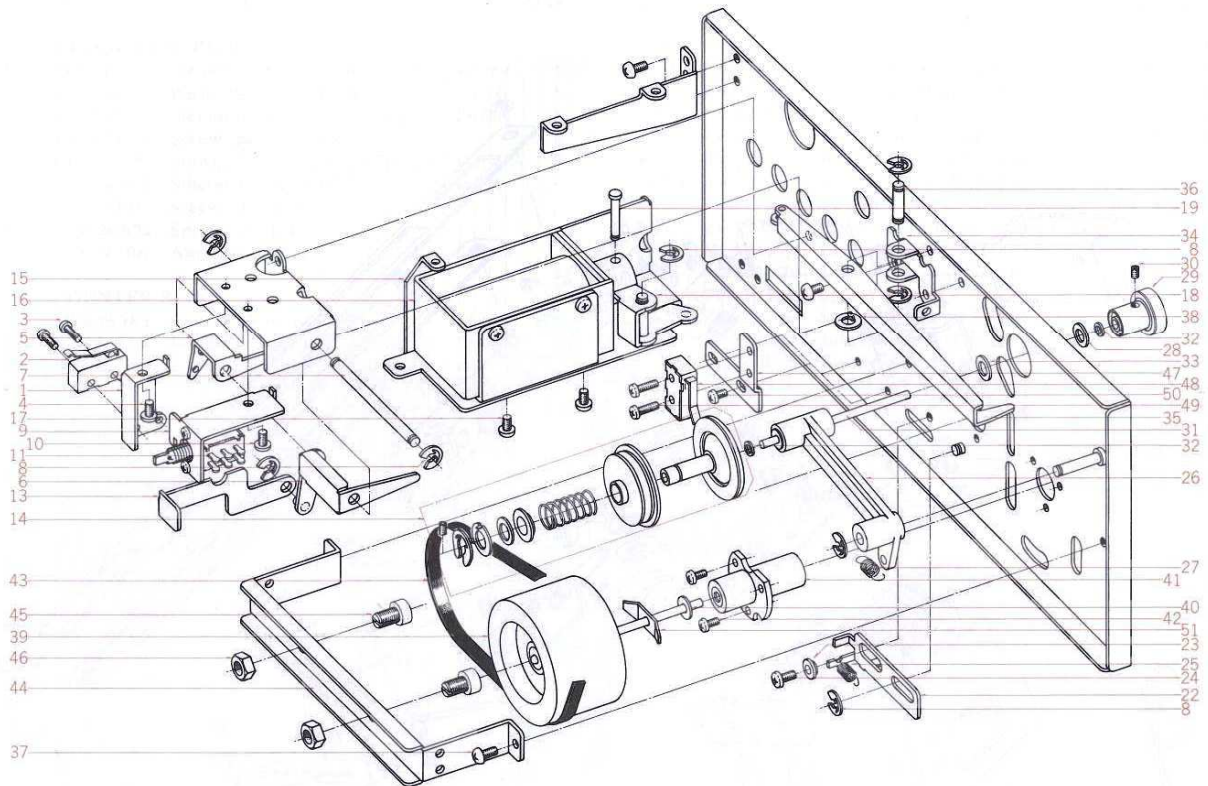
6. ILLUSTRATION OF FRONT CHASSIS BLOCK



6) FRONT CHASSIS BLOCK

Ref. No.	Parts No.	Description	Schematic No.	Q'ty	Ref. No.	Parts No.	Description	Schematic No.	Q'ty
VOL. MT. BASE BLOCK					6-15	ZS422076	Screw, pan head 3x5		2
6-1	MZ647098	Volume Mt. Base B	CA-5012	1	6-16	SK631304	Push Button Knob I	91-5051	1
6-2	EV669756	2-axial 2-throw Vol. V24L5DWTN 50 kA×2	36-3-67	2	6-17	TC676844	Spacer 3×6	7-2-6	2
6-3	EV669767	Co-axial 2-throw Vol. V24L5GWTN 10 kB×2	36-1-43	1	6-18x	TC666134	Acrylic for Illumination	CA-5019	1
6-4	MZ669600	Phone Bracket	CA-5201	1	6-19	ZW562757	Washer (SPC) D4.3×11×0.8t		2
6-5	ZS325495	Tapping Screw #2 3×6 (BR)		2	6-20	ZG580533	Cramp Spring	TD-2046	2
FRONT CHASSIS BLOCK					6-21x	TR533564	Screw, pan head (W/Flange)	ED-6006	1
6-6	TC644343	P.C Board Mount B	CA-5011	1	6-22x	ZS608095	Screw, pan head 2×5		2
6-7	EA647188	LED P.C Board	CA-2051	1	6-23x	ZS417161	Screw, pan head 2.3×4		4
6-8	ED656357	Luminous Diode SEL-105R	45-15-11	1	6-24x	ZW273802	Toothed Lock Washer M3		2
6-9	ZS499331	Screw, pan head 2.3×5	45-15-11	1	6-25	SK669971	REC. CAL knob	CA-5203	2
6-10	ZS200676	Tapping Screw #2 3×6 (Countersunk)		2	6-26x	SK669960	CAL Knob	CA-5202	1
6-11	BJ694247	Mic Jack Comp.	CA-5034	1	6-27	EA457176	Lamp P.C Board	CG-5003	2
6-12	ZS447805	Tapping Screw #2 3×12 (BR)		2	6-28	EL295312	Lamp (L/T) 8V 0.2A	28-2-8	2
6-13	ES469541	Push SW. TV-3 JB52	25-5-60	1	6-29	EM666450	VU Meter D18A68R	46-1-118	2
6-14x	ES499972	Push SW. JS-09 (CEE)	25-5-67	1	6-30x	EM619705	VU Meter D18A66R (JPN)	46-1-96	2
					6-31	EV669868	Vol. V12M4-1 N15FH 5 kB	36-7-13	2
					6-32x	EZ624047	Cord Retainer	2-7-48	1

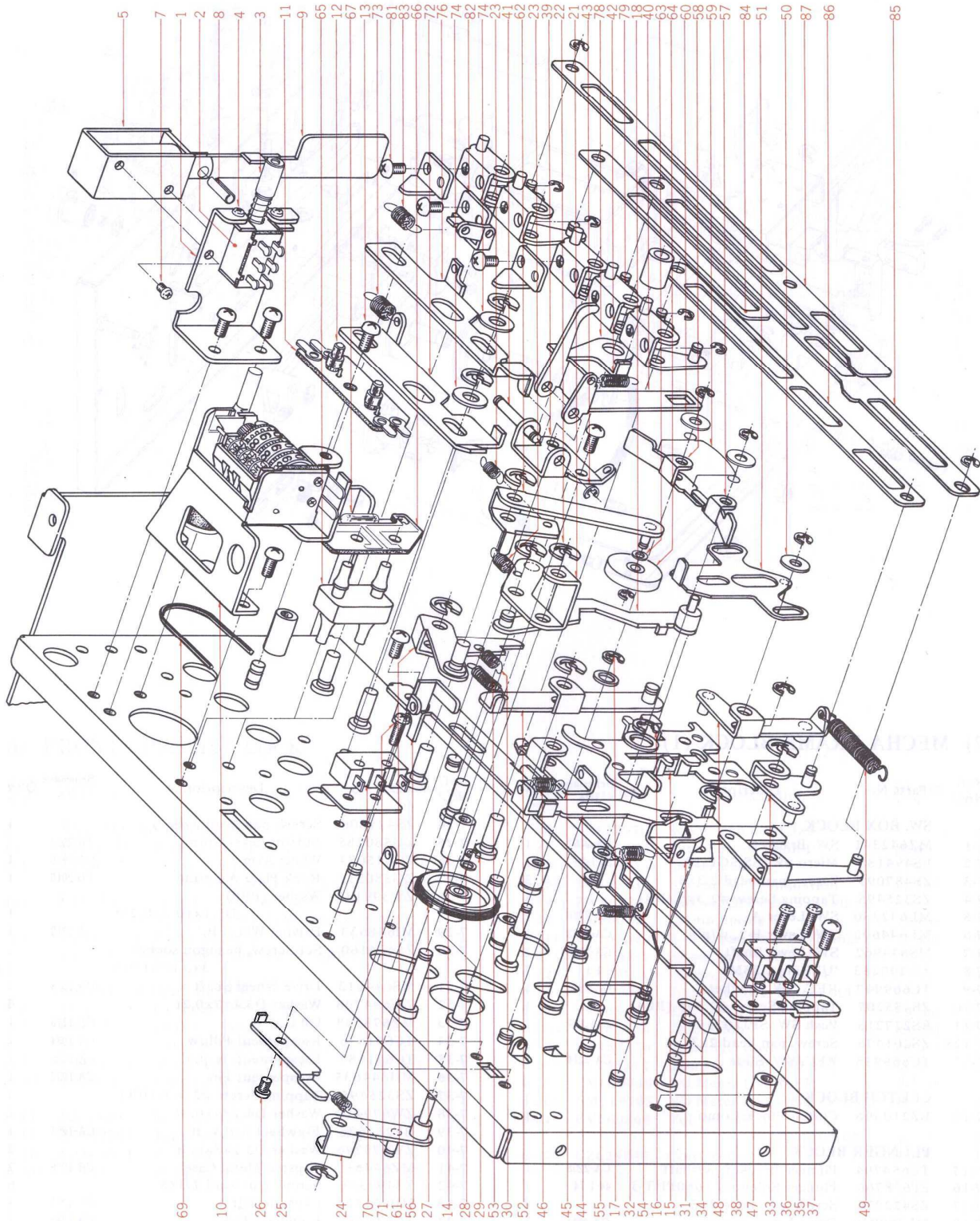
7. ILLUSTRATION OF MECHA FRAME BLOCK (1)



7) MECHA FRAME BLOCK (1)

Ref. No.	Parts No.	Description	Schematic No.	Q'ty	Ref. No.	Parts No.	Description	Schematic No.	Q'ty
SW. BOX BLOCK									
7-1	MZ642341	SW. Bracket	CA-2061	1	7-24	ZS421806	Screw, pan head 3x8		1
7-2	ES494188	Micro SW. SS-5GL-13	25-1-25	1	7-25	ZG580285	Button Lever Spring	TD-2018	1
7-3	ZS487091	Screw, pan head 2.3x8		2	7-26	TC645074	Wheel Arm	CA-1020	1
7-4	ZS325495	Tapping Screw #2 3x6 (BR)		1	7-27	ZG580252	Rock Plate A Spring	TD-2015	1
7-5	ML642330	SW. Lever A	CA-2060	1	7-28	ZW399137	Washer (PBP) D5.1x10.3x0.25t		1
7-6	ML644602	SW. Lever B-2, w/pin	CA-2062	1	7-29	MI678633	Driving Wheel B	CA-1210	1
7-7	MS644962	SW. Lever Shaft	CA-2063	1	7-30	ZS434160	Set Screw, hexagon socket 3x3 (CUP/P.)		1
7-8	ZW290283	'U' Ring 2.85M	6-1-1	7	7-31	MS644613	Drive Wheel Shaft	CA-1028	1
7-9	TC669947	REC. SW. Bracket	CA-2213	1	7-32	ZW694798	Washer D3.1x7x0.2t		4
7-10	ZS455207	Tapping Screw #2 3x5 (BR)		1	7-33	MZ678508	Oil Cut	CA-1110	1
7-11	ES227215	Push SW. SPJ10215	25-5-229	1	7-34	TC641676	Escapement Pillow	CA-1034	1
7-12x	ZS201475	Screw, pan head 2x3		2	7-35	TC641687	Escapement, w/pin	CA-1035	1
7-13	TC669958	REC. SW. Slide	CA-2214	1	7-36	MH644635	Escapement Pin	CA-1033	1
CLUTCH BLOCK									
7-14	BZ210396	Clutch Block Comp.		1	7-37	ZS325495	Tapping Screw #2 3x6 (BR)		4
PLUNGER BLOCK									
7-15	TC654794	Plunger Bracket, w/shaft	CA-2208	1	7-38	ZW679410	Washer D4.2x9x0.8t		1
7-16	EP638706	Plunger Solenoid 1660PHT-3	44-1-74	1	7-39	BF262686	Flywheel Set A, B	CA-1201	1
7-17	ZS422076	Screw, pan head 3x5		4	7-40	ZW675246	Washer D3.1x8x0.5t		2
7-18	ML669936	Drive Lever, w/pin	CA-2211	1	7-41	MZ644657	Capstan Metal Case	CA-1039	2
7-19	MH533913	Connecting pin	TW-2010	1	7-42	ZS499331	Screw, pan head 2.3x5		6
7-20x	ZW270088	'E' Ring 1.9M	6-1-9	1	7-43	MB665526	Capstan Belt	CA-1211	1
7-21x	ED224550	Silicon Diode 10D4	45-2-16	1	7-44	TC641711	Flywheel Table	CA-1045	1
MECHA FRAME BLOCK									
7-22	TC641654	Eject Key	CA-1018	1	7-45	TC653218	Capstan Support	CH-1078	2
7-23	ZW644578	Step Washer	CA-1019	1	7-46	ZW668452	Metal Nut	7-1-64	2
					7-47	TC642060	Micro SW. Table	CA-1096	1
					7-48	ES494188	Micro SW. SS-5GL-13	25-1-25	1
					7-49	ZS487091	Screw, pan head 2.3x8		2
					7-50	ZS201407	Screw, pan head 2.3x3		2
					7-51	ZG678486	Thrust for Plate Spring	CA-1109	2

8. ILLUSTRATION OF MECHA FRAME BLOCK (2)



When ordering parts, Please describe Parts Number, Serial Number, and Model Number in detail.

8) MECHA FRAME BLOCK (2)

Ref. No.	Parts No.	Description	Schematic No.	Q'ty	Ref. No.	Parts No.	Description	Schematic No.	Q'ty
MEMORY SW. BLOCK									
8-1	TC642295	Memory SW. Bracket	CA-2054	1	8-69	MB415743	Counter Belt A D96×1×1	CC-1034	1
8-2	ES619053	Push SW. SPJ-10114B	25-5-144	1	8-70	ES494188	Micro SW. SS-5GL-13	25-1-25	1
8-3	SZ645221	Memory Cap.	CA-6010	1	8-71	ZS465298	Screw, pan head 2.3×10		2
8-4	ZS460440	Screw, pan head 2×4		2	8-72	TC641957	Switch Slider	CA-1083	1
8-5	EP494425	Plunger Solenoid 0730THT1	44-1-48	1	8-73	ZG385413	Auto. Stop Spring B	CS-1033	1
8-6x	ED494583	Silicon Diode 10D05	45-2-42	1	8-74	ZW326463	Washer (PBP) D5.1×10.3×0.2t		2
8-7	ZS592378	Screw, pan head 2.6×3		2	8-75x	ZW450753	Washer (Nylon) D4.2×9×1t		2
8-8	MH620572	Spring pin SPP 2.5×12		1	8-76	TC641968	Switch Slider B	CA-1084	1
8-9	TC642306	Auto Stop Slider	CA-2055	1	8-77	ZW313593	Washer (PBP) D5.1×10.3×0.5t		2
COUNTER BLOCK									
8-10	MC645985	Counter SMP-390-73	9-1-42	1	8-78	ML641992	Pause Lever B	CA-1087	1
8-11	EA647166	Luminous Diode P.C Board	CA-2069	1	8-79	MZ641970	Joint Arm, w/pin A, B	CA-1085	5
8-12	ED656346	Luminous Diode SEL-305GC	45-15-10	2	8-80	TC675202	Spacer 4×9	7-2-6	1
8-13	ZS325495	Tapping Screw #2 3×6 (BR)		4	8-81	ZS422076	Screw, pan head 3×5		3
MECHA FRAME BLOCK									
8-14	TC644567	Sub Frame Post	CA-1017	1	8-82	TC642003	Joint Arm Piece B	CA-1088	1
8-15	TC260458	Play Slider (B)	CA-1132	1	8-83	ZG580285	Button Lever Spring	TD-2018	1
8-16	ZW270123	'E' Ring 4M	6-1-9	1	8-84	TC659970	Play Joint 2	CA-1207	1
8-17	ZW270101	'E' Ring 3M	6-1-9	9	8-85	TC642047	RWD Joint	CA-1092	1
8-18	TC641755	Relay Plate, w/pin	CA-1049	1	8-86	TC659968	REC Joint 2	CA-1206	1
8-19x	ZW322525	Washer (PBP) D4.1×7×0.2t		1	8-87	TC642058	F.F. Joint	CA-1093	1
8-20x	ZW420682	Washer (Nylon) D4.2×9×0.5t		1					
8-21	ML641744	Play Idler Lever, w/shaft B	CA-1048	1					
8-22	ZW290283	'U' Ring 2.85M	6-1-1	15					
8-23	ZG385986	Safety Lever Return Spring	CS-2539	2					
8-24	TC641766	Play Idler Arm, w/shaft	CA-1051	1					
8-25	TC651161	Set Plate	CA-1106	1					
8-26	ZS201407	Screw, pan head 2.3×3		1					
8-27	MI644736	Idler	CA-1054	1					
8-28	ZW645952	Washer D2.1×4×0.2t		3					
8-29	ZW356657	'E' Ring 1.5M	6-1-9	2					
8-30	ZG469315	Take-up Lever Spring	CG-1091	2					
8-31	MC641845	REC Counter	CA-1069	1					
8-32	ZG567696	Azimuth Spring 2	CP-0041	1					
8-33	ML641856	REC Lever, w/pin	CA-1070	1					
8-34	TC669914	Play Lever Joint 2	CA-1205	1					
8-35	TC641880	REC SW. Table	CA-1074	1					
8-36	ES389700	Micro SW. SS-5	25-1-19	1					
8-37	ZS487091	Screw, pan head 2.3×8		2					
8-38	MZ682751	REC Actuator	CA-1112	1					
8-39	TC641867	REC Detector Lever Holder	CA-1071	1					
8-40	ML641878	REC Detector Lever	CA-1072	1					
8-41	ML644815	REC Detector Lever Pin	CA-1073	1					
8-42	ZG451574	Slider Pull Spring	RCC-1207B	1					
8-43	ZW270088	'E' Ring 1.9M	6-1-9	9					
8-44	TC641812	RWD Slide Beam	CA-1065	1					
8-45	ML641823	RWD Lever	CA-1066	1					
8-46	ZG567696	Azimuth Spring 2	CP-0041	1					
8-47	ML641834	RWD Lever B, w/pin	CA-1067	1					
8-48	ML653207	Play Lever B, w/pin	CA-1080	1					
8-49	ZG644848	PR Spring	CA-1081	1					
8-50	ZW317171	Washer (PBP) D3.1×8×0.1t		1					
8-51	ML641902	Brake Slider, w/cam sensor	CA-1076	1					
8-52	ML641788	F.F. Joint Lever, w/pin B	CA-1058	1					
8-53	ZG577945	FF Slide Lever Spring	PW-1022	1					
8-54	ML641891	Back Tension Lever	CA-1075	1					
8-55	ZG387178	Idler Tension Spring	CS-1106	1					
8-56	TC641801	Wind Lever Resetter	CA-1064	1					
8-57	ML641913	Brake Lever A	CA-1078	1					
8-58	ML641924	Brake Lever B	CA-1078	1					
8-59	ZG644837	Brake Spring	CA-1079	1					
8-60	ZW259468	Washer D3.1×8×0.2t	BT-104	2					
8-61	ML641777	F.F. Lever, w/pin	CA-1056	1					
8-62	TC641790	F.F. Wind Arm	CA-1060	1					
8-63	ZW645952	Washer D2.1×4×0.2t		2					
8-64	MI644804	FW Wheel, w/metal	CA-1063	1					
8-65	TC645118	P.C Board Retainer	CA-1094	1					
8-66	EA647201	Reed SW. P.C Board	CA-1095	1					
8-67	ES516036	Reed SW. ORD-225	25-11-1	1					
8-68x	EC350875	Mylar/C. (Vert. Type) 0.001μF (J) 50WV	24-1-1	1					

9. P.C BOARDS

(1) PRE AMP P.C BOARD (CA-5205) BLOCK

Symbol No.	Parts No.	Description	Q'ty
(1)-1	BA661217	Pre Amp P.C Board Comp. (CA-5205)	1
(1)-IC1	EI669655	IC μ PC1024H	2
(1)-IC2	EI669666	IC μ PC1023H	2
(1)-IC3	EI669655	IC μ PC1024H	2
(1)-IC4	EI669712	IC TA7122AP	2
(1)-TR1	ET669633	FET 2SK68A (L) (M)	2
(1)-TR2,3	ET459810	Transistor 2SC1222 (E) (F)	4
(1)-TR4,5	ET234854	Transistor 2SC458LG (C)	4
(1)-TR6to8	ET398711	Transistor 2SC945L (Q) (R)	6
(1)-TR9	ET645917	FET 2SK30A (D)	2
(1)-TR10,11	ET234854	Transistor 2SC458LG (C)	4
(1)-TR12,13	ET398711	Transistor 2SC945L (Q) (R)	4
(1)-TR14	ET645917	FET 2SK30A (D)	2
(1)-D1	ED557447	Silicon Diode 1S1588	2
(1)-D2	ED219464	Germanium Diode 1N34A	2
(1)-D3,4	ED560913	Silicon Diode 1S2473VE	4
(1)-D5	ED491130	Zener Diode WZ-085	2
(1)-D6	ED219464	Germanium Diode 1N34A	2
(1)-D7to10	ED560913	Silicon Diode 1S2473VE	8
(1)-D11	ED624903	Silicon Diode 1S2473	2
(1)-D12	ED219464	Germanium Diode 1N34A	2
(1)-D13,14	ED560913	Silicon Diode 1S2473VE	4
(1)-D15	ED219464	Germanium Diode 1N34A	2
(1)-FL1	EO669734	MPX Filter FB1801M	2
(1)-L1	EO496350	Inductor 146LY 36MH (J)	2
(1)-L2,3	EO308395	Ferri Inductor FL7H 3MH (J)	4
(1)-L4	EO368403	Ferri Inductor FL9H 33MH (J)	2
(1)-VR1	EV523620	Semi-Fixed/Vol. V8K4-1 500 B	2
(1)-VR2	EV464220	Semi-Fixed/Vol. V8K4-1 50 kB	2
(1)-VR3	EV464207	Semi-Fixed/Vol. V8K4-1 5 kB	2
(1)-VR4	EV464220	Semi-Fixed/Vol. V8K4-1 50 kB	2
(1)-VR5	EV464207	Semi-Fixed/Vol. V8K4-1 5 kB	2
Capacitor, Vertical Type			
(1)-C1	EC516723	Styrol 270PF (K) 50WV	2
(1)-C4	EC516767	Styrol 470PF (K) 50WV	2
(1)-C11	EC604102	Solid Aluminum 0.33 μ F(K) 25WV	2
(1)-C22	EC604102	Solid Aluminum 0.33 μ F(K) 25WV	2
(1)-C23	EC619650	Solid Aluminum 0.1 μ F(K) 25WV	2
(1)-C26,27	EC619650	Solid Aluminum 0.1 μ F(K) 25WV	4
(1)-C34	EC619650	Solid Aluminum 0.1 μ F(K) 25WV	2
(1)-C45	EC619650	Solid Aluminum 0.1 μ F(K) 25WV	2
(1)-C59	EC516778	Styrol 680PF(K) 50WV	2
(1)-C60,61	EC623002	Styrol 820PF(K) 50WV	4
(1)-C62	EC604102	Solid Aluminum 0.33 μ F(K) 25WV	2
(1)-C63	EC619650	Solid Aluminum 0.1 μ F(K) 25WV	2
(1)-C64	EC662308	Solid Aluminum 0.15 μ F(K) 25WV	2
(1)-C66,67	EC619650	Solid Aluminum 0.1 μ F(K) 25WV	4
(1)-C74	EC619650	Solid Aluminum 0.1 μ F(K) 25WV	2
(1)-C79	EC516767	Styrol 470PF(K) 50WV	2
(1)-C82	EC516767	Styrol 470PF(K) 50WV	2
(1)-C85	EC676754	Styrol 680PF(J) 50WV	2

(2) SW. P.C BOARD (CA-2216, 2219) BLOCK

Symbol No.	Parts No.	Description	Q'ty
(2)-1	BA661307	SW. P.C Board Comp. (CA-2216, 2219)	1
(2)-SW1	ES669677	Push SW. 5FT-0004EF2020	1
(2)-L1	EO243988	Ferri Inductor FL7H 3.3MH(J)	2
(2)-2	TC642317	P.C Board Bracket	1
(2)-3	ZS379350	Screw, pan head 3x6	2
(2)-C5	EC621257	Solid Aluminum/C. (Vert. Type) 0.47 μ F(M) 25WV	2

(3) HEADPHONE & OSC P.C BOARD (CA-5209) BLOCK

Symbol No.	Parts No.	Description	Q'ty
(3)-1	BA661195	Headphone & OSC P.C Board Comp. (CA-5209)	1
(3)-TR1	ET638504	Transistor 2SC945L (P)	1
(3)-D1	ED219464	Germanium Diode 1N34A	2
(3)-T1	BT490702	Headphone Trans. N19-349S	2
(3)-SW1	ES664615	Push SW. SPJ-10113	1
(3)-C6	EC514001	Styrol/C. (Vert. Type) 390PF (J) 50WV	1

(4) POWER SUPPLY & OSC P.C BOARD (CA-5206) BLOCK

Symbol No.	Parts No.	Description	Q'ty
(4)-1	BA661206	Power Supply & OSC P.C Board Comp. (CA-5206)	1
(4)-2	BA671106	Power Supply & OSC P.C Board Comp. (CA-5206) (CEE)	1
(4)-3	BA671117	Power Supply & OSC P.C Board Comp. (CA-5206) (CSA)	1
(4)-4	BA671128	Power Supply & OSC P.C Board Comp. (CA-5206) (JPN)	1
(4)-TR1,2	ET622080	Transistor 2SC1175 (E) (F)	2
(4)-TR3	ET453611	Transistor 2SC1096 (L) (K) (Z Type)	1
(4)-D1to4	ED494583	Silicon Diode 10D05	4
(4)-D5to8	ED224550	Silicon Diode 10D4	4
(4)-D9	ED511918	Zener Diode WZ-240	1
(4)-D10	ED494583	Silicon Diode 10D05	1
(4)-L1	EO682367	Ferri Inductor FS1215S-471JR20	1
(4)-RL1	EP638763	Relay MY4-02-US DC24V	1
(4)-VR1,2	EV650891	Semi-Fixed/Vol. V10K8-4-2 50 kB	2
(4)-T1	EO620482	OSC Coil OT-925	1
(4)-CR1,2	ER376435	Spark Quencher U/L 0.1 μ +120 ohms 250WV	2
(4)-5	ZW273756	Nut M3	1
(4)-6	ZS421806	Screw, pan head 3x8	1
(4)-7	EZ644354	Power Supply Heat-sink Plate	1
(4)-8	ZS421806	Screw, pan head 3x8	2
(4)-9	EZ675562	Fuse Holder 4P (small) (CEE)	1
(4)-10	EZ672840	Fuse Holder 4P (large) (CSA, JPN)	1
(4)-11	MH698220	Fuse Holder Prop (CEE, CSA, JPN)	2
(4)-12	ZS379350	Screw, pan head 3x6 (CEE, CSA, JPN)	4
(4)-R8	ER672502	Wire Wound/R. (P Type) RW1/2W 6.8 ohms (K)	1
(4)-R11	ER563253	Cement/R. (Wire-wound Type) 3W 2.2 ohms (K)	1
(4)-C5,6	EC412593	Styrol/C. (Vert. Type) 820PF(J) 50WV	2
(4)-C7	EC460091	Plastic Film/C. 3300PF(J) 500WV	1

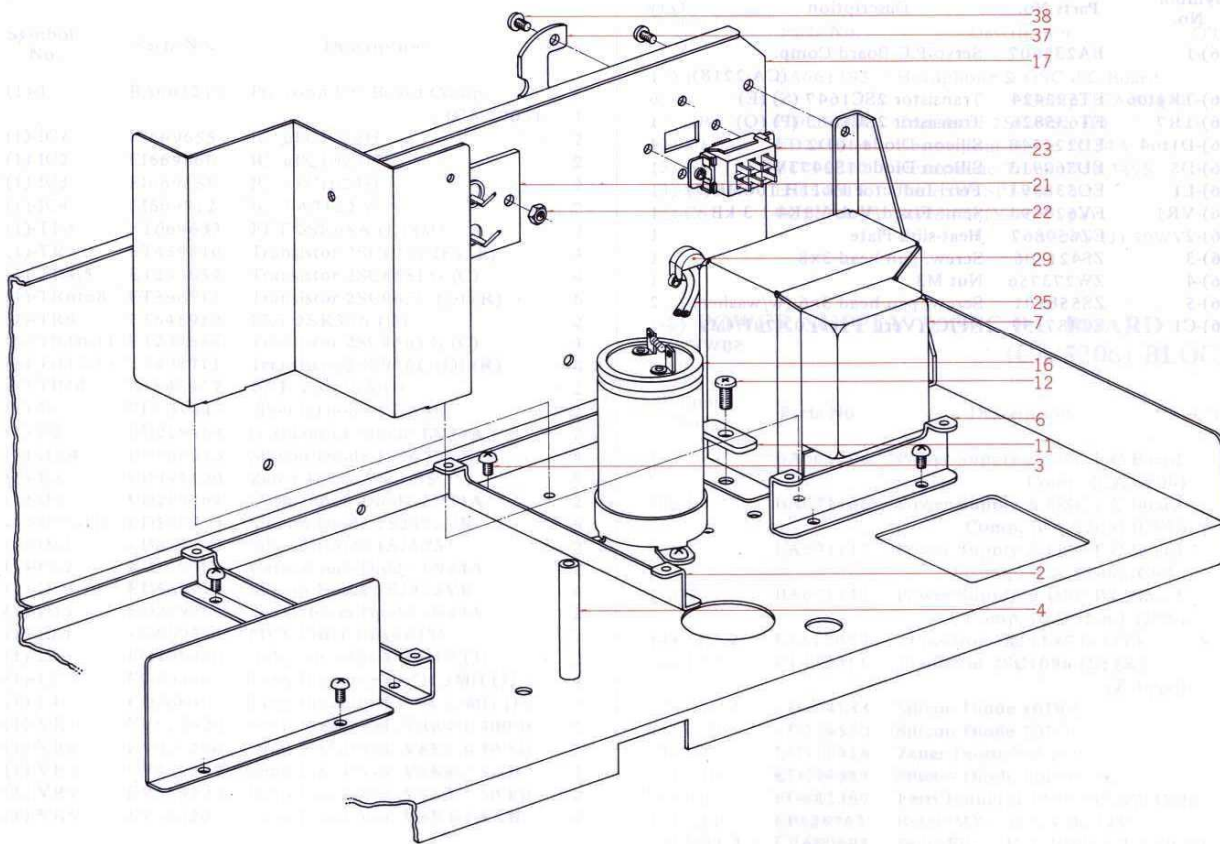
(5) SYS. CON P.C BOARD (CA-5210) BLOCK

Symbol No.	Parts No.	Description	Q'ty
(5)-1	BA661296	Sys. Con P.C Board Comp. (CA-5210)	1
(5)-TR1	ET398711	Transistor 2SC945L (Q) (R)	1
(5)-TR2	ET375603	Transistor 2SC1061 (B) (C)	1
(5)-TR3to8	ET398711	Transistor 2SC945L (Q) (R)	6
(5)-TR9	ET511920	Transistor 2SC1247A (B) (V)	1
(5)-TR10	ET554657	Transistor 2SA733 (P) (Q)	1
(5)-D1to9	ED560913	Silicon Diode 1S2473VE	9
(5)-C9	EC514001	Styrol/C. (Vert. Type) 390PF (J) 50WV	1

(6) SERVO P.C BOARD (CA-2218) BLOCK

Symbol No.	Parts No.	Description	Q'ty
(6)-1	BA235607	Servo P.C Board Comp. (CA-2218)	1
(6)-TR1to6	ET592424	Transistor 2SC1647 (S) (E)	6
(6)-TR7	ET635826	Transistor 2SC1683 (P) (Q)	1
(6)-D1to4	ED224548	Silicon Diode 10D2	4
(6)-D5	ED560913	Silicon Diode 1S2473VE	1
(6)-L1	EO538391	Ferri Inductor FL11H 100MH(J)	1
(6)-VR1	EV620493	Semi-Fixed/Vol. V8K4-1 3 kB	1
(6)-2	EZ659867	Heat-sink Plate	1
(6)-3	ZS421806	Screw, pan head 3x8	1
(6)-4	ZW273756	Nut M3	1
(6)-5	ZS558101	Screw, pan head 3x6 (w/washer)	2
(6)-C1	EC487157	NP/C. (Vert. Type) 0.47 μ F (M) 50WV	1

10. ILLUSTRATION OF AMP ASSEMBLY BLOCK



10) AMP ASSEMBLY BLOCK

Ref. No.	Parts No.	Description	Schematic No.	Q'ty	Ref. No.	Parts No.	Description	Schematic No.	Q'ty
AMP CHASSIS BLOCK									
10-1x	SA659845	Board Mt. Foot B	CA-5211	1	10-29	EJ631945	Strain Relief SR-4N-4	2-7-49	1
10-2	SA669982	Board Mt. Foot	CA-5204	2	10-30x	EZ246936	Strain Relief SR-6W-1 (CEE)	2-7-8	1
10-3	ZS325495	Tapping Screw #2 3x6 (BR)		22	10-31x	EF674684	Fuse Holder (w/reed) (CEE)	40-2-11	1
10-4	MH411524	P.C Board Prop	LF-5028	1	10-32x	EF623103	Fuse (SEMKO T Type)		
10-5x	ZS379350	Screw, pan head 3x6		4			1AT (CEE)	39-1-53	1
10-6	MZ644332	Power Supply P.C Board			10-33x	ZS413201	Screw, pan head 4x8 (CEE)		1
		Foot	CA-5008	1	10-34x	ZW413188	Nut M4 (CEE)		1
10-7	BT669846	Power Trans. CA-5	38-4-383	1	10-35x	ZW273881	Earth Lug M4 (CEE)		1
10-8x	BT675573	Power Trans. CA-8 (CEE)	38-4-409	1	10-36x	ZW273892	Toothed Lock Washer		
10-9x	BT675538	Power Trans. CA-7 (CSA)	38-4-408	1			M4 (CEE)		1
10-10x	BT675540	Power Trans. CA-6 (JPN)	38-4-407	1	ASSEMBLY BLOCK				
10-11	TC516598	Trans. Retainer	CS-5337	2	10-37	TC613697	Volt Indication Plate	CW-5018	1
10-12	ZS413201	Screw, pan head 4x8		2	10-38	ZS447761	Tapping Screw #2 3x6 (BR)		
10-13x	ZW413188	Nut M4		2			(Black)		
10-14x	ZW273892	Toothed Lock Washer M4		2	10-39x	EJ255115	Lug Plate VB2L2	33-4-3	1
10-15x	EJ551035	Wrapping Terminal,			10-40x	EF676866	Fuse 0.8A 250V (w/reed)	39-1-49	1
		4P T-5251	32-1-36	1	10-41x	MT553948	Wire Band B	2-35-3	9
10-16	EC669857	Elect./C. (Lug Type)			10-42x	EF238634	Fuse (T Type) 400 MAT		
		470μF 200WV	24-10-109	1			(CEE)		2
10-17	SP669835	Rear Panel A	CA-5208	1	10-43x	EF601953	Fuse (SEMKO T Type)		
10-18x	SP675494	Rear Panel C (CEE)	CA-5208	1			800 MAT (CEE)	39-1-53	1
10-19x	SP675516	Rear Panel E (CSA)	CA-5208	1	10-44x	EF601942	Fuse (SEMKO T Type)		
10-20x	SP675292	Rear Panel B (JPN)	CA-5208	1			630 MAT (CEE)	39-1-53	1
10-21	EJ669745	4P Jack Plate	31-5-130	1	10-45x	EF277424	Fuse ST-4 0.8A (CSA)	39-1-28	2
10-22	ZW273756	Nut M3		3	10-46x	EF277413	Fuse ST-2 2A (CSA)	39-1-26	1
10-23	ES479485	Slide SW. S-1	25-3-66	1	10-47x	EF659711	Fuse ST-2 1.6A (CSA)	39-1-26	1
10-24x	ZS422076	Screw, pan head 3x5		4	10-48x	EF575932	Fuse 0.8A 250V (JPN)	39-1-50	2
10-25	EW374894	AC Cord CUL 3M	26-3-19	1	10-49x	EF558066	Fuse 2A 125V (JPN)	39-1-47	1
10-26x	EW516600	AC Cord (CEE) VM-0065	26-3-28	1	10-50x	EF675551	Fuse 1.6A 125V (JPN)	39-1-47	1
10-27x	EW207742	AC Cord CUL (CSA)	26-3-45	1					
10-28x	EW524845	AC Cord 2.5M (JPN)	26-3-31	1					

When ordering parts, Please describe Parts Number, Serial Number, and Model Number in detail.

11. PHOTO OF FINAL ASSEMBLY BLOCK



11) FINAL ASSEMBLY BLOCK

Ref. No.	Parts No.	Description	Schematic No.	Q'ty
FRONT PANEL BLOCK				
11-1	BZ661151	Front Panel Block Comp.	CA-6001	1
11-2	SP647043	Front Panel B	CG-6814	1
11-3	SE631585	Button Escutcheon D	MC-5006	2
11-4	ZW526577	Collar B, Jack	CW-6021	5
11-5	SE613888	Button Escutcheon A	NE-6005	2
11-6	SZ639685	Lamp Lens B-1	CG-2206	1
11-7x	TC494267	Lamp Cover	CA-6004	1
11-8	SE659654	VU Escutcheon B	CJ-6007	2
11-9	SE659665	Counter Escutcheon B	CB-6011	1
11-10x	SE244934	CAL Knob Mat	CA-6005	1
11-11x	MZ646986	Frame (Black)		1
11-12x	ZS325495	Tapping Screw #2 3x6 (BR)		4
11-13	BD681491	Lid Panel Block Comp.	CA2,CB	1
ASSEMBLY BLOCK				
11-14	SB645232	Selector Button	CA-6011	5
11-15	SK645030	Single Knob B	CA-6013	1
11-16	SK654750	Double Knob (Lower)	CA-6202	2
11-17	SK669993	Double Knob (Upper)	CA-6201	2
11-18x	SP647054	Bottom Plate A	CA-6009	1
11-19x	SZ645243	Circular Foot A	CA-6014	4
11-20x	ZS417150	Screw, pan head 4x6		4
11-21	BC647076	Cabinet	CA-6008	1
11-22	ZW548010	Spot Facing Washer	MU-6028	4
11-23	ZS510344	Screw, binding head 4x12		4

12. LIST OF INTERCHANGEABLE SEMICONDUCTORS

As far as service is concerned, in case the original parts cannot be obtained, the interchangeable parts listed below can be substituted.

Original Parts			Interchangeable Parts	
Description	Parts No.	Utilizing P.C Board	Description	Parts No.
2SC458LG (C)	ET234854	CA-5205	2SC693U (F) 2SC458 (C) 2SC1312S (G) (H)	ET315472 ET329218 ET603257
2SC94L (Q) (R)	ET398711	CA-5205 CA-5209 CA-5218	2SC711 (E) (F) 2SC1647 (R) (S) (E) 2SC1641 (R) (S) (E)	ET453486 ET623733 ET603843
2SC1061 (B) (C)	ET375603	CA-5218	2SD361 (D) (E) 2SC1449 (K) (L) (H)	ET537300 ET635815
2SC1096 (K) (L)	ET453611	CA-5206	2SD360 (D) (E)	ET517375
2SC1175 (E) (F)	ET622080	CA-5206	2SC1211 (D) (E)	ET511694
2SC1222 (E) (F)	ET459810	CA-5205	2SC1000GR (BL) 2SC458LG (C)	ET622181 ET234854
2SC1247A (B) (V)	ET511920	CA-5218	2SC1211 (D) (E) 2SC711 (E) (F) (G)	ET511694 ET520841
2SC1647 (S) (E)	ET592424	CA-2218	2SC711 (E) (F) 2SC1641 (K) (L) (H)	ET453486 ET635815
2SC1683 (P) (Q)	ET635826	CA-2218	TIP47 TIP48	ET621775 ET621786
2SA733 (P) (Q)	ET554657	CA-5218	2SA564 (Q) (R) 2SA628 (D) (E)	ET538154 ET538110
2SK30A (O)	ET550798	CA-5205		
2SK68A (L) (M)	ET669633	CA-5205		
μPC1023H	EI669666	CA-5205	TA7122P	EI669712
μPC1024H	EI669655	CA-5205	TA7129P	EI657000
1N34A	ED417442 ED219464	CA-5205 CA-5209	1S188AM 1N60	ED562386 ED428264
1S2473	ED624903	CA-5218	1S1588 WG599	ED557447 ED514721
1S2473VE	ED560913	CA-2218 CA-5205 CA-5218	1S1588 WG599 WG713	ED557447 ED514721 ED515790
10D4	ED224550	CA-5206	1N4003	ED570295
10D05	ED494583	CA-5206	1N4001	ED511097
10D2	ED224548	CA-2218	1N4003	ED570295
WG085	ED491130	CA-5205	RD6A	ED229105
WZ240	ED511918	CA-5206	RD24A	ED229072
SEL105R	ED656357			
SEL305GC	ED656346	CA-2069		

INDEX

Parts No.	Ref. No. & Symbol No.	Parts No.	Ref. No. & Symbol No.	Parts No.	Ref. No. & Symbol No.	Parts No.	Ref. No. & Symbol No.	Parts No.	Ref. No. & Symbol No.
BA235607	(6)-1	ED656357	6-8	EV669868	6-31	MZ646986	11-11x	TC654794	7-15
BA661195	(3)-1	EF238634	10-42x	EW207742	10-27x	MZ647098	6-1	TC659970	8-84
BA661206	(4)-1	EF277413	10-46x	EW374894	10-25	MZ659981	3-2	TC659968	8-86
BA661217	(1)-1	EF277424	10-45x	EW516600	10-26x	MZ669600	6-4	TC666134	6-18x
BA661296	(5)-1	EF558066	10-49x	EW524845	10-28x	MZ669881	3-4	TC666156	5-21
BA661307	(2)-1	EF575932	10-48x	EZ246936	10-30x	MZ678508	7-33	TC669914	8-34
BA671106	(4)-2	EF601942	10-44x	EZ624047	6-32x	MZ682751	8-38	TC669947	7-9
BA671117	(4)-3	EF601953	10-43x	EZ644354	(4)-7	SA659845	10-1x	TC669958	7-13
BA671128	(4)-4	EF623103	10-32x	EZ659867	(6)-2	SA669982	10-2	TC675202	8-80
BC647076	11-21	EF659711	10-47x	EZ672840	(4)-10	SB645232	4-18	TC676844	6-17
BD681491	11-13	EF674684	10-31x	EZ675562	(4)-9	SB645232	11-14	TC678475	5-4
BF262686	7-39	EF675551	10-50x	HE636963	1-17	SE244934	11-10x	TC678622	1-46
BH211105	1-1x	EF676866	10-40x	HL260447	1-43	SE613888	11-5	TR533564	6-21x
BJ694247	6-11	EL669655	(1)-IC1	HP671174	1-38	SE631585	11-3	ZG207257	5-16
BK650070	4-19	EL669655	(1)-IC3	HZ227103	1-18	SE659654	11-8	ZG227114	1-23
BM661241	3-1	EL669666	(1)-IC2	HZ227158	1-2	SE659665	11-9	ZG316765	5-30
BR637716	2-1	EL669712	(1)-IC4	HZ236834	1-3	SK631304	5-40	ZG385413	8-73
BR670926	2-2	EJ255115	10-39x	HZ641621	1-8	SK631304	6-16	ZG385986	8-23
BT490702	(3)-T1	EJ551035	10-15x	HZ642093	1-47	SK645030	11-15	ZG387178	8-55
BT669846	10-7	EJ631945	10-29	HZ644400	1-15	SK654750	11-16	ZG392848	4-9
BT675538	10-9x	EJ669745	10-21	HZ669892	1-28	SK669960	6-26x	ZG422223	5-39
BT675540	10-10x	EL295312	5-43	HZ669903	1-29	SK669971	6-25	ZG451574	8-42
BT675573	10-8x	EL295312	6-28	MR415743	8-69	SK669993	11-17	ZG465636	1-32
BZ210396	7-14	EL390576	4-14	MB659823	3-9	SP647043	11-2	ZG469315	8-30
BZ661151	11-1	EM619705	6-30x	MB665526	7-43	SP647054	11-18x	ZG525306	4-3
EA457176	6-27	EM666450	6-29	MC641845	8-31	SP669835	10-17	ZG542204	5-38
EA647166	8-11	EO243988	(2)-L1	MC645985	8-10	SP675292	10-20x	ZG567696	8-32
EA647188	6-7	EO308395	(1)-L2,3	MH411524	10-4	SP675494	10-18x	ZG567696	8-46
EA647190	5-42	EO368403	(1)-L4	MH533913	7-19	SP675516	10-19x	ZG569384	1-56
EA647201	8-66	EO496350	(1)-L1	MH620572	8-8	SZ639685	11-6	ZG577945	8-53
EA668340	4-13	EO538391	(6)-L1	MH644635	7-36	SZ645221	8-3	ZG580252	7-27
EA669510	1-41x	EO620482	(4)-T1	MH644646	5-48	SZ645243	11-19x	ZG580285	7-25
EC350875	8-68x	EO669734	(1)-FL1	MH644916	5-28	TC260458	8-15	ZG580285	8-83
EC412582	3-7	EO682367	(4)-L1	MH644927	5-25	TC494267	11-7x	ZG580533	6-20
EC412593	(4)-C5,6	EP494425	8-5	MH664064	5-20	TC515575	4-5	ZG580746	5-35
EC460091	(4)-C7	EP638706	7-16	MH698220	(4)-11	TC516598	10-11	ZG595618	5-10
EC487157	(6)-C1	EP638763	(4)-RL1	MI644736	8-27	TC613697	10-37	ZG595620	5-11
EC514001	(3)-C6	ER376435	(4)-CR1,2	MI644804	8-64	TC641632	1-9	ZG632553	4-6
EC514001	(5)-C9	ER551621	4-15x	MI678633	7-29	TC641654	7-22	ZG644411	1-14
EC516723	(1)-C1	ER563253	(4)-R11	ML595574	5-8	TC641676	7-34	ZG644837	8-59
EC516767	(1)-C4	ER672502	(4)-R8	ML595585	5-9	TC641687	7-35	ZG644848	8-49
EC516767	(1)-C79	ES227215	7-11	ML641698	5-46	TC641700	5-47	ZG644938	5-22
EC516767	(1)-C82	ES389700	8-36	ML641744	8-21	TC641711	7-44	ZG659880	1-27
EC516778	(1)-C59	ES469541	6-13	ML641777	8-61	TC641755	8-18	ZG659946	1-44
EC604102	(1)-C11	ES479485	10-23	ML641788	8-52	TC641766	8-24	ZG678464	5-2
EC604102	(1)-C22	ES494188	7-2	ML641823	8-45	TC641790	8-62	ZG678486	7-51
EC604102	(1)-C62	ES494188	7-48	ML641834	8-47	TC641801	8-56	ZS200676	6-10
EC619650	(1)-C23	ES494188	8-70	ML641856	8-33	TC641812	8-44	ZS201407	5-3
EC619650	(1)-C26,27	ES499972	6-14x	ML641878	8-40	TC641867	8-39	ZS201407	7-50
EC619650	(1)-C34	ES516036	8-67	ML641891	8-54	TC641880	8-35	ZS201407	8-26
EC619650	(1)-C45	ES619053	8-2	ML641902	8-51	TC641957	8-72	ZS201475	7-12x
EC619650	(1)-C63	ES664615	(3)-SW1	ML641913	8-57	TC641968	8-76	ZS303625	1-31
EC619650	(1)-C66,67	ES669677	(2)-SW1	ML641924	8-58	TC642003	8-82	ZS325495	3-8
EC619650	(1)-C74	ET234854	(1)-TR4,5	ML641992	8-78	TC642047	8-85	ZS325495	4-17
EC621257	(2)-C5	ET234854	(1)-TR10,11	ML642330	7-5	TC642058	8-87	ZS325495	4-21
EC623002	(1)-C60,61	ET375603	(5)-TR2	ML644602	7-6	TC642060	7-47	ZS325495	5-49
EC662308	(1)-C64	ET398711	(1)-TR6to8	ML644815	8-41	TC642071	5-45	ZS325495	6-5
EC669857	10-16	ET398711	(1)-TR12,13	ML653207	8-48	TC642115	1-55	ZS325495	7-4
EC676754	(1)-C85	ET398711	(5)-TR1	ML669936	7-18	TC642148	5-18	ZS325495	7-37
ED219464	(1)-D2	ET398711	(5)-TR3to8	MP612628	1-13	TC642161	4-10	ZS325495	8-13
ED219464	(1)-D6	ET453611	(4)-TR3	MR659992	3-5	TC642172	4-4	ZS325495	10-3
ED219464	(1)-D12	ET459810	(1)-TR2,3	MS227136	1-4	TC642183	4-12	ZS325495	11-12x
ED219464	(1)-D15	ET511920	(5)-TR9	MS595552	5-7	TC642273	5-36	ZS356804	1-30
ED219464	(3)-D1	ET554657	(5)-TR10	MS595563	5-6	TC642284	5-37	ZS356815	3-6
ED224548	(6)-D1to4	ET592424	(6)-TR1to6	MS642374	5-32	TC642295	8-1	ZS379350	1-40
ED224550	(4)-D5to8	ET622080	(4)-TR1,2	MS644613	7-31	TC642306	8-9	ZS379350	(2)-3
ED224550	7-21x	ET635826	(6)-TR7	MS644872	1-48	TC642317	(2)-2	ZS379350	(4)-12
ED491130	(1)-D5	ET638504	(3)-TR1	MS644962	7-7	TC642363	5-41	ZS379350	4-20
ED494583	(4)-D1to4	ET645917	(1)-TR9	MS645153	5-52	TC644343	6-6	ZS379350	10-5x
ED494583	(4)-D10	ET645917	(1)-TR14	MS645175	4-1	TC644567	8-14	ZS379405	1-16
ED494583	8-6x	ET669633	(1)-TR1	MS659902	1-26	TC645063	1-6	ZS391522	1-34
ED511918	(4)-D9	EV464207	(1)-VR3	MS659913	1-25	TC645074	7-26	ZS413201	10-12
ED557447	(1)-D1	EV464207	(1)-VR5	MT553948	1-42x	TC645118	8-65	ZS413201	10-33x
ED560913	(1)-D3,4	EV464220	(1)-VR2	MT553948	10-41x	TC645164	5-24	ZS414033	5-29
ED560913	(1)-D7to10	EV464220	(1)-VR4	MV522235	1-53	TC645186	5-15	ZS417150	11-20x
ED560913	(1)-D13,14	EV523620	(1)-VR1	MZ641970	8-79	TC646920	5-5	ZS417161	4-16
ED560913	(5)-D1to9	EV620493	(6)-VR1	MZ642104	1-54	TC646931	5-1	ZS417161	5-44
ED560913	(6)-D5	EV650891	(4)-VR1,2	MZ642341	7-1	TC647065	5-14	ZS417161	6-23x
ED624903	(1)-D11	EV669756	6-2	MZ644332	10-6	TC651161	8-25	ZS417216	1-37
ED656346	8-12	EV669767	6-3	MZ644657	7-41	TC653218	7-45	ZS421806	(4)-6

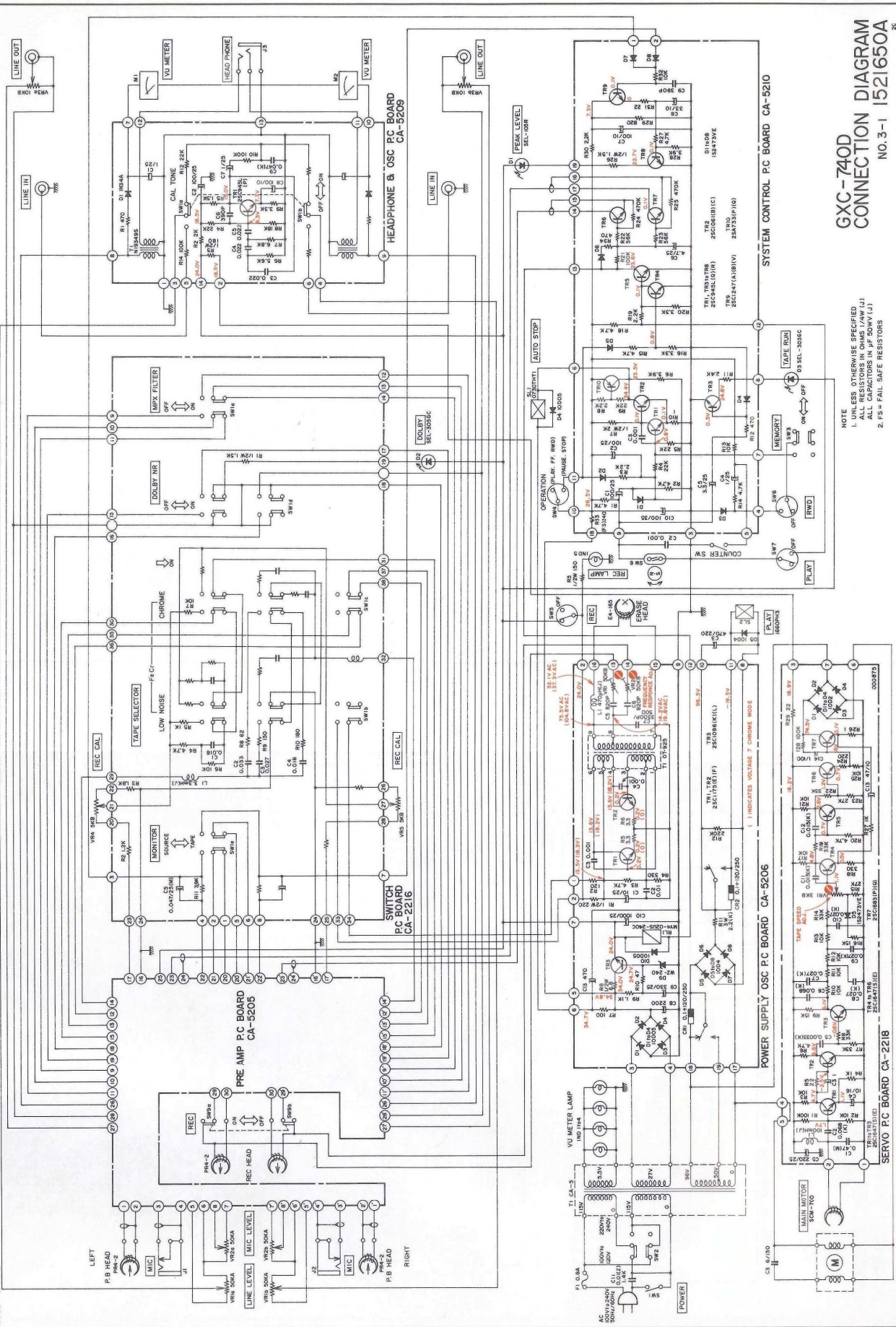
INDEX

Parts No.	Ref. No. & Symbol No.	Parts No.	Ref. No. & Symbol No.	Parts No.	Ref. No. & Symbol No.	Parts No.	Ref. No. & Symbol No.	Parts No.	Ref. No. & Symbol No.
ZS421806	(4)-8	ZS487091	8-37	ZW270101	4-11	ZW313593	8-77	ZW562476	1-35x
ZS421806	4-22	ZS499331	6-9	ZW270101	8-17	ZW317171	8-50	ZW562757	6-19
ZS421806	(6)-3	ZS499331	7-42	ZW270123	8-16	ZW322525	8-19x	ZW592391	5-12
ZS421806	7-24	ZS510344	11-23	ZW290283	1-49	ZW326463	8-74	ZW644578	7-23
ZS422076	6-15	ZS524812	1-11	ZW290283	5-23	ZW356657	8-29	ZW645952	8-28
ZS422076	7-17	ZS558101	(6)-5	ZW290283	7-8	ZW364364	1-10	ZW645952	8-63
ZS422076	8-81	ZS592378	8-7	ZW290283	8-22	ZW394086	1-50	ZW668452	7-46
ZS422076	10-24x	ZS592402	5-19	ZW273666	1-24	ZW399137	7-28	ZW675246	7-40
ZS422965	3-3	ZS608095	6-22x	ZW273745	1-7x	ZW413188	10-13x	ZW679410	7-38
ZS434160	7-30	ZS608106	1-22x	ZW273756	1-5x	ZW413188	10-34x	ZW694798	7-32
ZS447761	10-38	ZS609208	4-2	ZW273756	(4)-5	ZW420682	5-34	ZW699570	1-57x
ZS447805	6-12	ZS669104	5-17	ZW273756	(6)-4	ZW420682	8-20x	ZW699581	1-58x
ZS455207	7-10	ZW259468	8-60	ZW273756	10-22	ZW450753	5-31	ZW699592	1-59x
ZS460440	8-4	ZW259773	1-51	ZW273802	6-24x	ZW450753	8-75x	ZW699603	1-60x
ZS461395	1-39	ZW270088	1-12	ZW273881	1-36x	ZW485728	1-21		
ZS464692	1-19	ZW270088	4-8	ZW273881	5-33	ZW516993	5-27		
ZS465298	8-71	ZW270088	5-13	ZW273881	10-35x	ZW526577	11-4		
ZS477876	1-20x	ZW270088	7-20x	ZW273892	10-14x	ZW548010	11-22		
ZS487091	7-3	ZW270088	8-43	ZW273892	10-36x	ZW550642	4-7		
ZS487091	7-49	ZW270101	1-45x	ZW273914	5-26	ZW556650	1-33		

SECTION 3

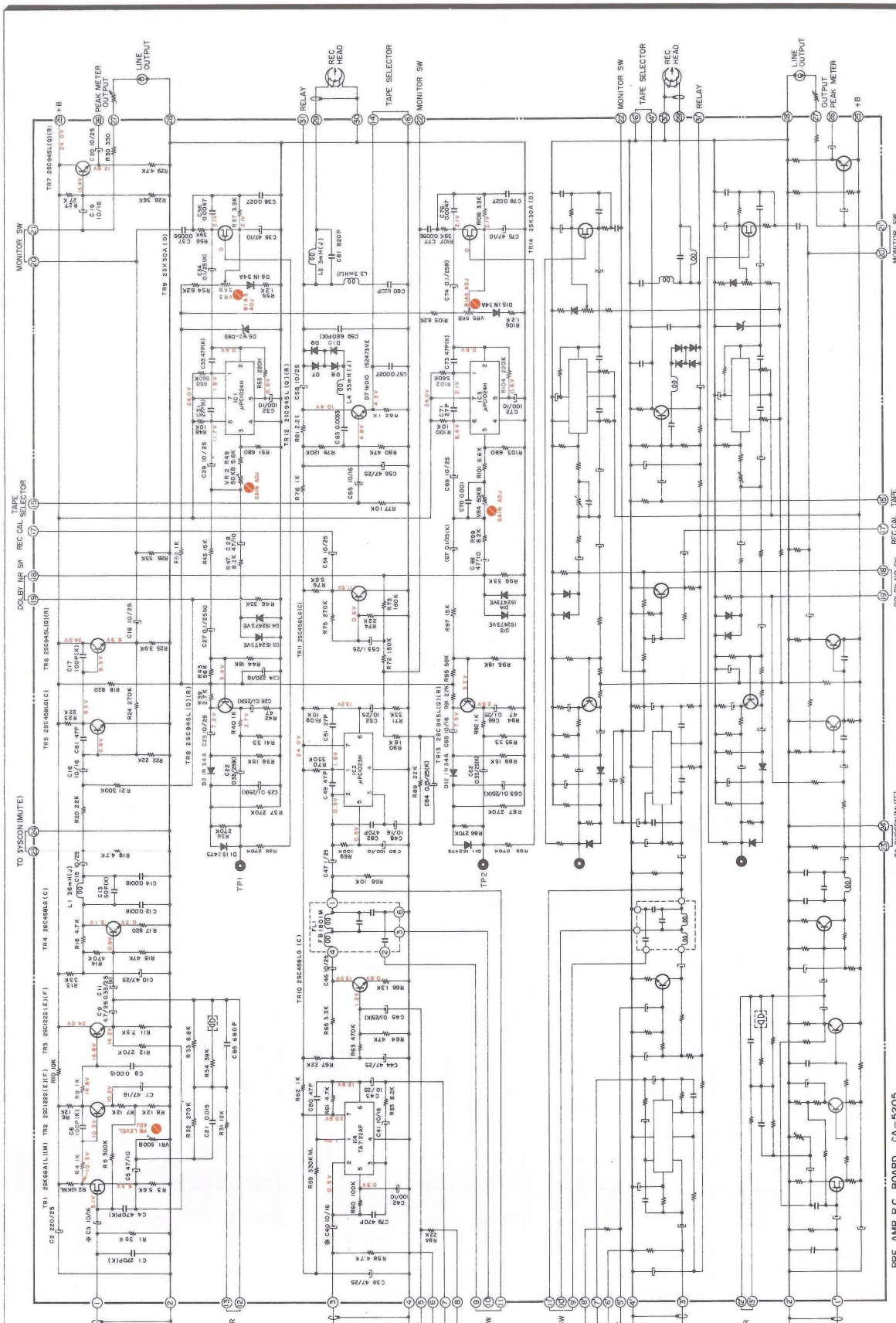
SCHEMATIC DIAGRAM

1. GXC-740D NO. 3-1 1521650A CONNECTION DIAGRAM
2. GXC-740D NO. 3-2 1521651A PRE AMP SCHEMATIC DIAGRAM
3. GXC-740D NO. 3-3 1521652A POWER SUPPLY SCHEMATIC DIAGRAM



GXC-740D
CONNECTION DIAGRAM
 NO. 3-1 1521650A

GXC-740D



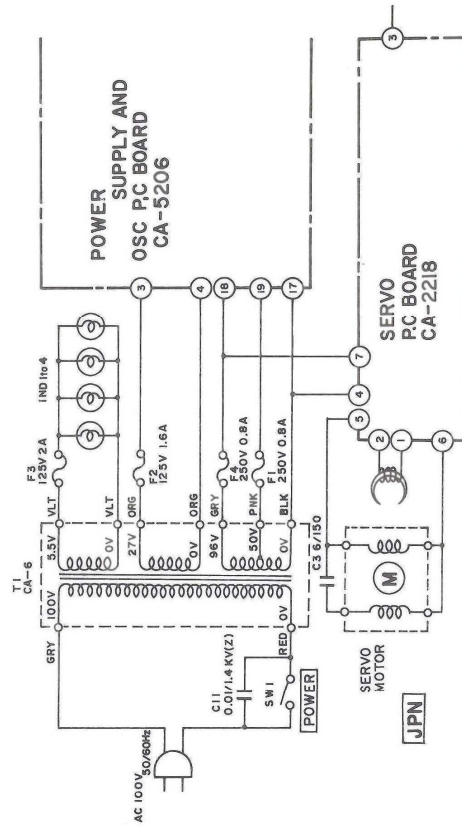
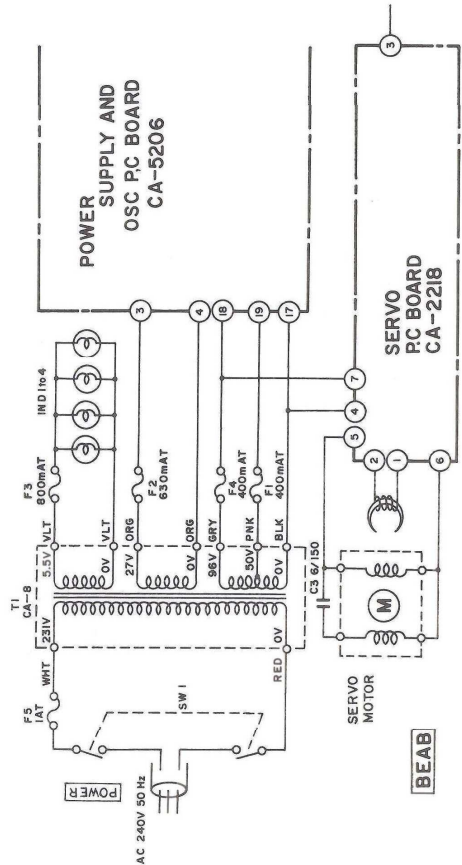
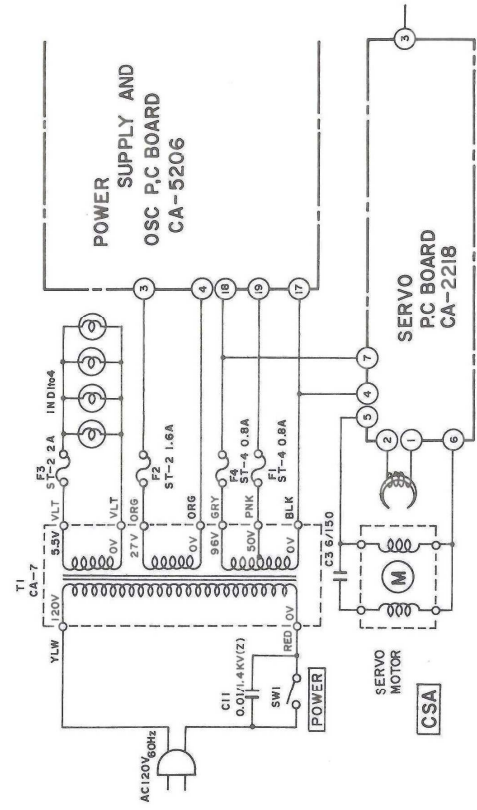
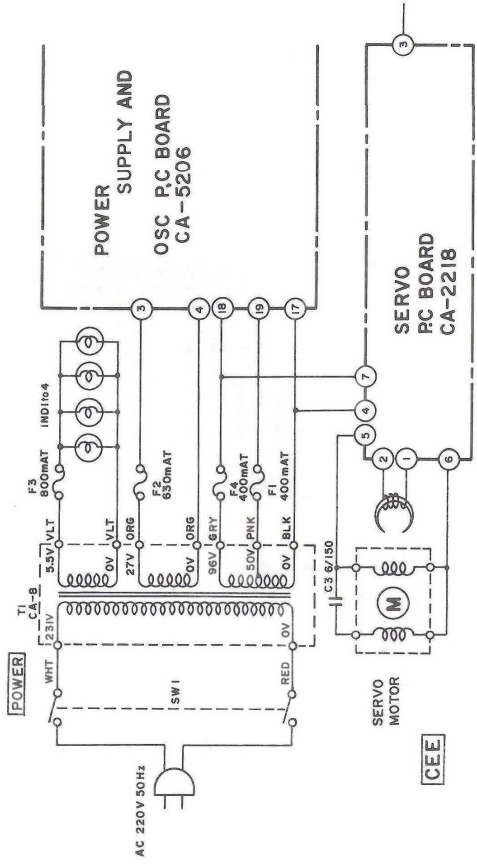
GXC-740D PRE AMP
SCHEMATIC DIAGRAM
NO. 3-2 1521651A

NOTES
1. VALUES OTHERWISE SPECIFIED
ALL RESISTORS IN OHMS UNLESS
OTHERWISE SPECIFIED
2. * MARK INDICATES LOW LEADAGE
CAPACITORS
3. #L INDICATES NOISE LESS RESISTORS

PRE AMP P.C. BOARD CA-5205

00000001

GXC-740D



NOTE
POWER TRANSFORMER IS DIFFERENT
ACCORDING TO AREA

**GXC-740D
POWER SUPPLY
SCHEMATIC DIAGRAM
NO.3-3 1521652A**

 **AKAI ELECTRIC CO.,LTD.**
AKAI TRADING CO.,LTD.

(P.O. BOX 21, Tokyo International Airport, Japan)

12-14, 2-chome, Higashi-Kojiya, Ohta-ku, Tokyo, Japan

TELEPHONE: TOKYO (742) 5 1 1 1

CABLE: HIFI AKAI TOKYO TELEX: J26261

Printed No.152184211 Printed in Japan

GXC-740D