

**AI - AIv2
AI mk3se - A2**

Integrated Amplifiers

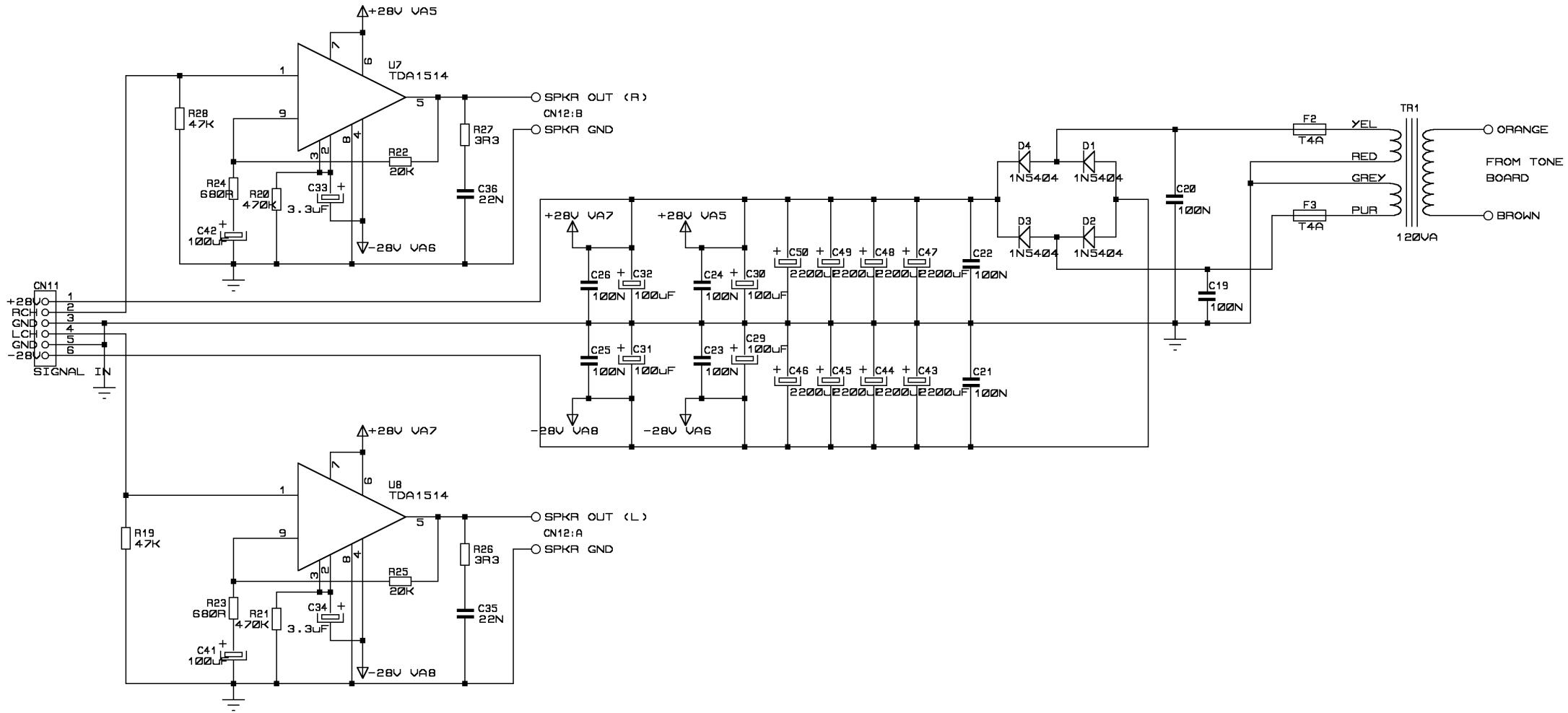
**Bill of Materials and
Schematics**

ADDITIONS

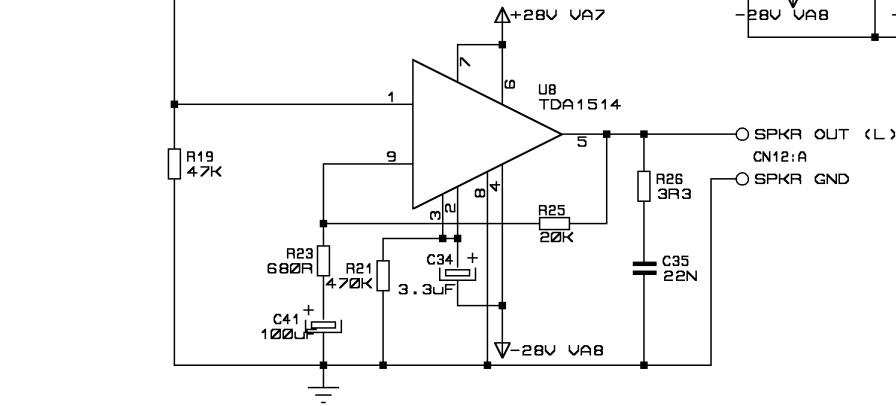
FACTORY PART NO	DRAWING NO	DESCRIPTION	QTY	DESIGNATOR	COMMENTS
	AP10918/I	A2 OWNERS CERTIFICATE	1		
	AP10917/I	A2 LABEL (MODEL NO.)	1		FOR BOX
		A2 FRONT PANEL (PRINTED)	1		HKENED960626 / PRINTED WITH ARTWORK NOS AP10037/I, AP10919/I AND AP10039/I
		A2 REAR PANEL (PRINTED)	1		HKENED960626 / PRINTED WITH ARTWORK NO. AP10920/I
	CAMA159D/B	A2 REAR PANEL	1		AS A3i
	AP10349/2	HEATSINK & PCB SUPPORT BRACKET	4		
		NYLON 66 PCB SPACER WASHER	6		AS HEYCO PART NO. 041 3991
4082-000030-000		BUSHING NYLON FOR TO-3P POWER TRANSISTOR	2		TO ISOLATE Q201 & Q202 FROM HEATSINK
		BUSHING NYLON FOR TO-220 REGULATOR	2		TO ISOLATE U202 & U204 FROM HEATSINK
4080-000030-00		INSULATING MICA WASHER - SOT93	2		TO ISOLATE Q201 & Q202 FROM HEATSINK
		INSULATING MICA WASHER - FOR TO-220 REGULATOR	2		TO ISOLATE U202 & U204 FROM HEATSINK
	AP10086/I	TDA1514 MICA WASHER	2		TO ISOLATE TDA1514 FROM HEATSINK
	AP10417/I	SHELF HEAT SINK ASSEMBLY (PUNCHED FOR COMPONENT MOUNTING)	2		SUPPLIED ASSEMBLED - PARTS MANUFACTURED TO AP10363/I, AP10364/I, AP10365/I
	AP10366/2	TRANSFORMER ASSEMBLY	1		
		230V 120VA 30VAC x2 TOROID TRANSFORMER	1	TR1	AS A500
	AP10419/I	CAMBRIDGE TOROID PLATE STICKER 085141	1		AFFIX TO STEEL DISHED WASHER
		TONE BOARD ASSY POP REV B	1		B REV=SHIELDING CANS REMOVED AND WIRE LINKS ADDED
		INSULATED WIRE LINK 45mm GREEN 22AWG 3mm STRIPPED AND TINNED	4		TONE PCB. SEE AP10966/I FOR DETAILS
		POWER PCB ASSEMBLY POPULATION REVISION B	1		B REV=25W VERSION SET BY R207/R213
	AP10383/I	POWER PCB	1		
1014-704014-000		METAL FILM RESISTOR 470K OHM 1/4W +/-1%	2	R203,R210	
1012-003014-000		METAL FILM RESISTOR 20K OHM 1/4W +/-1%	4	R205,R211, R217, R218	
1016-801014-000		METAL FILM RESISTOR 680 OHM 1/4W +/-1%	2	R204,R212	
1013-300014-000		METAL FILM RESISTOR 3R3 OHM 1/4W +/-1%	2	R201,R216	
1014-703014-000		METAL FILM RESISTOR 47K OHM 1/4W +/- 1%	2	R202,R209	
		METAL FILM RESISTOR 160R OHM 1/4W +/- 1%	2	R206,R214	
1016-802014-000		METAL FILM RESISTOR 2K7 OHM 1/4W +/- 1%	2	R207,R213	PLEASE NOTE VALUE CHANGED FROM 3K6
		CARBON FILM RESISTOR 2R7 OHM 1/2W +/- 5%	2	R208,R215	
1106-104053-000		CERAMIC CAP MULTILAYER MONOLITHIC 100nF/63V +/-10%	11	C206,C211, C214, C218,C224,C226, C227, C234, C235, C236, C237	
		CERAMIC DISC CAP 100pF/50V D.C.	2	NOT FITTED	COMPONENTS REMOVED
		ELECT CAP 2200uF/50V	8	C209,C210,C212, C213,C221,C222, C223,C225	
1102-471044-000		ELECT CAP 470uF/50V	4	C207,C208,C219, C220	
1102-101034-000		ELECT CAP 100uF/35V	2	C204,C216	
		ELECT CAP 10uF/35V	2	C205,C217	
		ELECT CAP 3.3uF/35V	2	C203,C215	
1101-103043-000		MYLAR CAP 0.01UF/50V	2	C201,C202	
1401-154020-000		DIODE 1N5402	4	D201,D202,D203, D204	
4115-140002-100		I.C. TDA1514 SIL 9PIN SOT131 PHILIPS	2	U201,U203	COMPONENT LEGS BENT TO AP10446/I
4131-700310-000		I.C. LM317	1	U202	COMPONENT LEGS BENT TO AP10446/I
		I.C. LM337	1	U204	COMPONENT LEGS BENT TO AP10446/I
1301-029550-714		TRANSISTOR TIP2955	1	Q201	COMPONENT LEGS BENT TO AP10446/I
1300-030550-714		TRANSISTOR TIP3055	1	Q202	COMPONENT LEGS BENT TO AP10446/I
4030-000343-123		FUSE T-4A 5X20mm BSI	2	FU201,FU202	
4031-050100-001		FUSE HOLDER 5X20MM PCB MOUNT WITH PLASTIC BASE	2	F2, F3	
		SPEAKER JACK B30897090N NICKEL FINISH	1	CN201	
		STRAIGHT CONNECTOR WAFER 2 PIN 2.5mm PITCH JST TYPE	3	CN202,CN203, CN204	
		UNINSULATED WIRE LINK 49mm DIAM = 1mm (20SWG)	3	LK201, LK203, LK204	
		UNINSULATED WIRE LINK 97mm DIAM = 1mm (20SWG)	1	LK202	
		97mm INSULATING SLEEVEING ID1.2mm	1		TO COVER LINK LK202
	AP10944/I	250mm RED 26AWG INSULATED CABLE S+T 5mm	1		RED (POWER PCB) TO INPUT GROUND
	AP10944/I	250mm ORANGE 26AWG INSULATED CABLE S+T 5mm	1		ORG (POWER PCB) TO INPUT GROUND
		190mm INSULATED WIRE AWG#20 UL1015 RED	1		RIGHT CHANNEL SPEAKER CABLE
		150mm INSULATED WIRE AWG#20 UL1015 RED	1		LEFT CHANNEL SPEAKER CABLE
		240mm INSULATED WIRE AWG#20 UL1015 BLACK	1		LEFT CHANNEL SPEAKER CABLE
		220mm INSULATED WIRE AWG#20 UL1015 BLACK	1		RIGHT CHANNEL SPEAKER CABLE
	AP10945/I	VARIOUS LENGTH 6 WAY TRIPLE CONNECTOR JST TYPE CABLE	1		CN9 TO CN202, CN203, YE AND BR
		SCREWS ASSOCIATED WITH A500 POWER PCB ASSY AND HEATSINK			PLEASE CHECK THE ACCURACY OF THE FOLLOWING SECTION
7003-008001-111		SCREW M3X8 S.T.P. B/H BLK	22		BASE TO HEATSINK & PCB SUPPORT BRACKET X 8/ POWER PCB TO HEATSINK & PCB SUPPORT BRACKET X6/ HEATSINK TO HEATSINK & PCB SUPPORT BRACKET X8
		MACHINE SCREW M3X6 B/H (BLACK)	2		POWER PCB TO POWER PCB STANDOFF X2
		MACHINE SCREW M3X6 PW/H (BLACK)	2		BASE TO POWER PCB STANDOFF X2
		SCREW NUT M3	8		ICs TO SHELF HEATSINK BASE X 8
7003-008010-112		SCREW M3X8 B/H	8		ICs TO SHELF HEATSINK BASE X 8
7103-206504-082		EX-TOOTHED LOCKWASHER M3	8		ICs TO SHELF HEATSINK BASE X 8
7003-008002-111		SCREW M3X8 P.T.P. B/H (BLACK)	3		SPEAKER TERMINAL TO REAR PANEL X3
SUBTRACTIONS					
	AP10057/I	A1MK3SE OWNERS CERTIFICATE	1		
	AP10070/I	A1MK3SE LABEL (MODEL NO.)	1		FOR BOX
		A1MK2 FRONT PANEL (PRINTED)	1		HKENED960626 / PRINTED WITH ARTWORK NOS AP10037/I, AP10038/I AND AP10039/I

FACTORY PART NO	DRAWING NO	DESCRIPTION	QTY	DESIGNATOR	COMMENTS
		AI MK2 REAR PANEL (PRINTED)	1		HKENED960626 / PRINTED WITH ARTWORK NO. AP10060/I
6510-150221-001	CAMA173D/I	AI MK2 REAR PANEL	1		
6510-150222-000	CAMA164D/D	CAMBRIDGE AI/A2/A3 BASE	1		
6510-150223-000	CAMA170D/A	AI MK2 HEAT SINK & BOARD BRACKET	2		
8500-115010-300		AI MK2 HEAT SINK ASSY	1		
6510-150224-001	API0031/I	AI MK2 HEAT SINK BASE	1		
6510-150225-000	API0030/I	AI MK2 HEAT SINK PLATE	12		
6510-150226-000	CAMA181D/B	AI MK2 HEAT SINK LEG	2		
3200-075740-500	API0056/I	AIV2 TRANSFORMER ASSEMBLY	1		
		AIV2 TOROID TRANSFORMER ED7574R1 120VA MEI AH	1	TRI	
		tone board assy pop rev A	1		
		CAMBRIDGE AUDIO SCREENING CAN (EMBOSSSED)	2	SH1, SH2	EMBOSSSED WITH ARTWORK API0018/I
	API0001/2	CAMBRIDGE AUDIO SCREENING CAN	2		
		POWER BOARD ASSY	1		
	API0024/3	POWER BOARD	1		
1014-703014-000		METAL FILM RESISTOR 47K OHM 1/4W +/- 1%	2	R19, R28	
1014-704014-000		METAL FILM RESISTOR 470K OHM 1/4W +/-1%	2	R20, R21	
		METAL FILM RESISTOR 20K OHM 1/4W +/-1%	2	R22, R25	
1016-801014-000		METAL FILM RESISTOR 680 OHM 1/4W +/-1%	2	R23, R24	
1013-300014-000		METAL FILM RESISTOR 3R3 OHM 1/4W +/-1%	2	R26, R27	
1106-104053-000		CERAMIC CAP MULTILAYER MONOLITHIC 100nF/63V +	8	C19-26	
1102-222034-000		ELECT CAP 2200uF/35V	8	C43-50	
1102-101034-000		ELECT CAP 100uF/35V	4	C29-32	
		ELECT CAP 100uF/16V	2	C41, C42	
1102-337044-000		ELECT CAP 3.3uF/50V	2	C33, C34	
1101-223043-000		MYLAR CAP 0.022uF/50V	2	C35, C36	
		DIODE 1N5404	4	D1-4	
4115-140002-101		I.C. TDA1514 SIL 9PIN SOT131 PHILIPS	2	U7, U8	
	API0086/I	TDA1514 MICA WASHER	2		
2300-006100-001		STRAIGHT CONN WAFER 6PINS 2.5MMP (23175B-06)	1	CN11	
4030-000343-123		FUSE T-4A 5X20MM BSI	2	F2, F3	
4031-050100-001		FUSE HOLDER 5X20MM PCB MOUNT WITH PLASTIC BA	2	F2, F3	
2333-004911-300		SPEAKER JACK B3049024	1	CN12	
		UNINSULATED WIRE LINK 15MM (22SWG)	19	LK40-58	
		100mm INSULATED WIRE AWG#20 UL1015 RED	1		RIGHT CHANNEL SPEAKER CABLE
		250mm INSULATED WIRE AWG#20 UL1015 BLACK	1		LEFT CHANNEL SPEAKER CABLE
		130mm GROUND WIRE 1 RING (M4) AWG#20 UL1015 GREEN	1		
2511-060952-241	API0032/I	6 PIN 250MM 2.5mmP 2CONN SHIELD CABLE	1		CN9 TO CN11
		SCREWS ASSOCIATED WITH AI MK3SE POWER PCB ASSY AND HEATSINK			PLEASE CHECK THE ACCURACY OF THE FOLLOWING SECTION
7003-004001-111		SCREW M3X4 S TYPE B/H BLK	4		HEAT SINK LEGS TO BASE X4. HKENED960639
7003-006001-111		SCREW M3X6 S.T.P. B/H (BLACK)	4		PCB TO HEATSINK & BOARD BRACKET X4
7003-008001-111		SCREW M3X8 S.T.P. B/H BLK	2		HEAT SINK & BOARD BRACKET TO HEAT SINK BASE
7003-012001-111		SCREW M3X12 S.T.P. B/H, BLK.	4		TRANSISTOR TO HEAT SINK BASE X4. HKENED960639
		SCREW M3X8 S.T.P. B/H BLK	4		HEATSINK LEGS TO HEATSINK BASE

RIGHT CHANNEL



LEFT CHANNEL



General Notes

Page No. 3 OF 3

Drawn NF

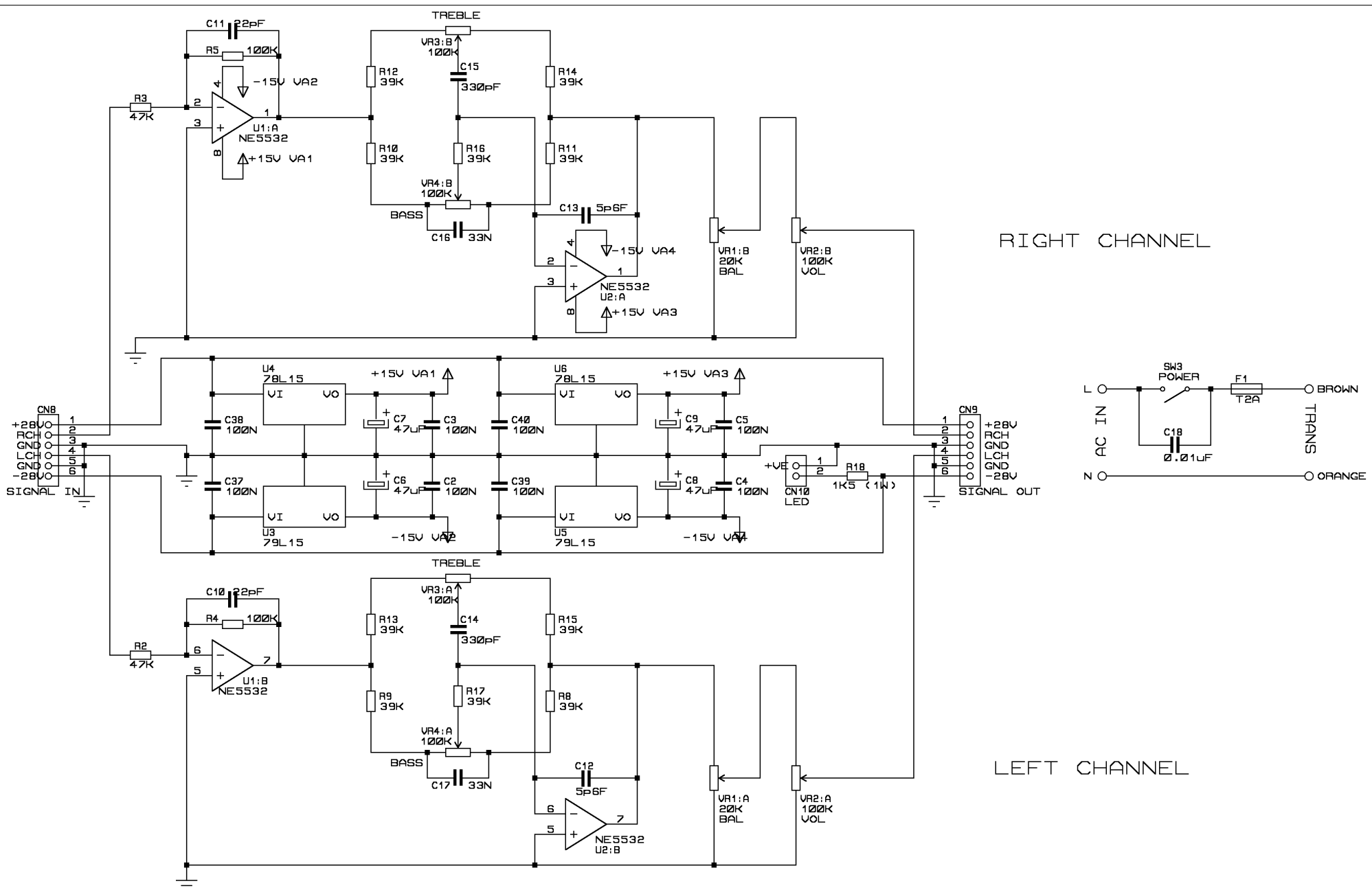
Drawing No. AP10014/3

Checked

Title A1mk3V2/AX910 POWER

Date 13/5/97
4

the audio partnership ©
Richer House
Hankey Place
London
SE1 4BB
Tel: +44(0)171 357 9090
Fax: +44(0)171 357 9888



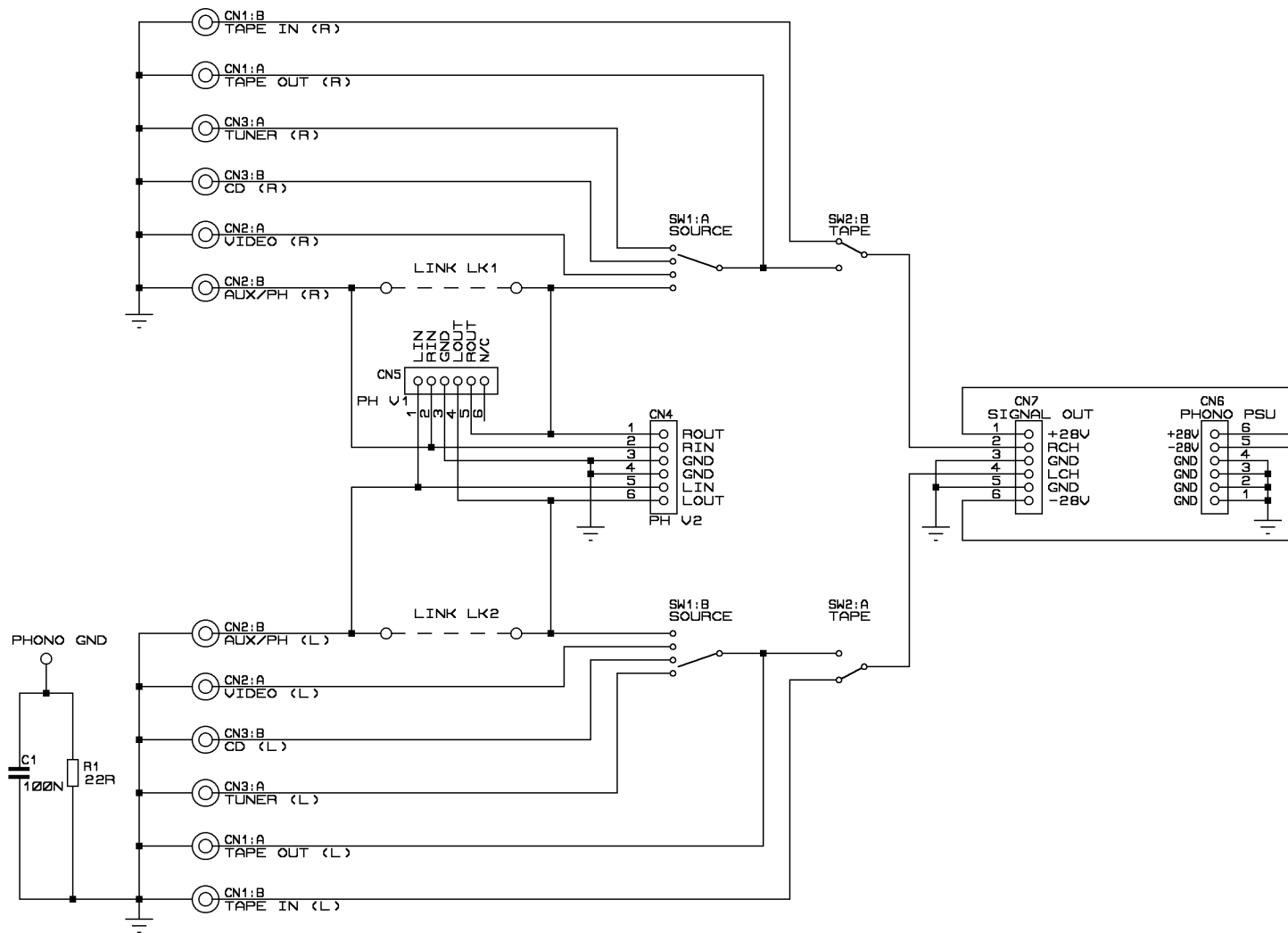
General Notes

Page No. 2 OF 3	Drawn NF
Drawing No. AP10013/3	Checked
Title A1mk3 V2 TONE BOARD	Date 12/5/97 5

the audio partnership ©
 Richer House
 Hankey Place
 London
 SE1 4BB
 Tel: +44(0)171 357 9090
 Fax: +44(0)171 357 9888

RIGHT CHANNEL

LEFT CHANNEL



General Notes

1. PH U1 - CONNECTOR FOR VERSION 1 OPTIONAL PHONO STAGE
2. PH U2 - CONNECTOR FOR VERSION 2 OPTIONAL PHONO STAGE
3. LKS 1 & 2 CUT WHEN EITHER PHONO STAGE FITTED

Page No. 1 OF 3

Drawing No. AP10012/1

Title A1mk3V2/AX910 IPT BOARD

Drawn NF

Checked

Date 13/3/97

6

the audio partnership ©
 Richer House
 Hankey Place
 London
 SE1 4BB
 Tel: +44(0)171 357 9090
 Fax: +44(0)171 357 9888

LEVEL	PART NO.	DRAWING NO.	DESCRIPTION	QTY	COMMENTS
.1		AP10638/1	A1 V2.0 CARTON LABEL	1	FOR BOX
..2			A1 MK2 FRONT PANEL (PRINTED)	1	HKENED960626 / PRINTED WITH ARTWORK NOS AP10297/1 & AP10641/1
..2			A1 MK2 REAR PANEL (PRINTED)	1	HKENED960626 / PRINTED WITH ARTWORK NO. AP10621/1
.1		AP10640/1	A1 V2.0 OWNERS CERTIFICATE	1	

LEVEL	PART NO.	DRAWING NO.	DESCRIPTION	QTY	COMMENTS
.1		AP10639/1	A1mk3 V2.0 CARTON LABEL	1	FOR BOX
..2			A1 MK2 FRONT PANEL (PRINTED)	1	HKENED960626 / PRINTED WITH ARTWORK NOS AP10297/1 & AP10642/1
..2			A1 MK2 REAR PANEL (PRINTED)	1	HKENED960626 / PRINTED WITH ARTWORK NO. AP10620/1
.1		AP10627/1	A1mk3 V2.0 OWNERS CERTIFICATE	1	

LEVEL	PART NO.	DRAWING NO.	DESCRIPTION	QTY	COMMENTS
.1		AP10638/1	A1 V2.0 CARTON LABEL	1	FOR BOX
..2			A1 MK2 FRONT PANEL (PRINTED)	1	HKENED960626 / PRINTED WITH ARTWORK NOS AP10297/1 & AP10641/1
..2			A1 MK2 REAR PANEL (PRINTED)	1	HKENED960626 / PRINTED WITH ARTWORK NO. AP10621/1
.1		AP10640/1	A1 V2.0 OWNERS CERTIFICATE	1	

ITEM	LEVEL	YANION PART NO	DRAWING NO	DESCRIPTION	QTY	DESIGNATOR	COMMENTS
	.1		AP10057/1	A1MK3SE OWNERS CERTIFICATE	1		
	.1		AP10070/1	A1MK3SE LABEL (MODEL NO.)	1		FOR BOX
	..2			A1MK2 FRONT PANEL (PRINTED)	1		HKENED960626 / PRINTED WITH ARTWORK NOS AP10037/1, AP10038/1 AND AP10039/1
	...2			A1 MK2 REAR PANEL (PRINTED)	1		HKENED960626 / PRINTED WITH ARTWORK NO. AP10060/1
	...3	6510-150221-001	CAMA173D/I	A1MK2 REAR PANEL	1		
	..2	6510-150222-000	CAMA164D/D	CAMBRIDGE A1/A2/A3 BASE	1		
	..2	6510-150223-000	CAMA170D/A	A1MK2 HEAT SINK & BOARD BRACKET	2		
	..2	8500-115010-300		A1MK2 HEAT SINK ASSY	1		
	...3	6510-150224-001	AP10031/1	A1MK2 HEAT SINK BASE	1		
	...3	6510-150225-000	AP10030/1	A1MK2 HEAT SINK PLATE	12		
	...3	6510-150226-000	CAMA181D/B	A1MK2 HEAT SINK LEG	2		
	..2	3200-075740-500	AP10056/1	A1V2 TRANSFORMER ASSEMBLY	1		
	...3			A1V2 TOROID TRANSFORMER ED7574R1 120VA MEI AH	1	TR1	
	..2			STONE BOARD ASSY POP REV A	1		
	...3			CAMBRIDGE AUDIO SCREENING CAN (EMBOSSSED)	2	SH1, SH2	EMBOSSSED WITH ARTWORK AP10018/1
	...4		AP10001/2	CAMBRIDGE AUDIO SCREENING CAN			
	..2			POWER BOARD ASSY	1		
	...3		AP10024/3	POWER BOARD	1		
	...3	1014-703014-000		METAL FILM RESISTOR 47K OHM 1/4W +/- 1%	2	R19, R28	
	...3	1014-704014-000		METAL FILM RESISTOR 470K OHM 1/4W +/-1%	2	R20, R21	
	...3			METAL FILM RESISTOR 20K OHM 1/4W +/-1%	2	R22, R25	
	...3	1016-801014-000		METAL FILM RESISTOR 680 OHM 1/4W +/-1%	2	R23, R24	
	...3	1013-300014-000		METAL FILM RESISTOR 3R3 OHM 1/4W +/-1%	2	R26, R27	
	...3	1106-104053-000		CERAMIC CAP MULTILAYER MONOLITHIC 100nF/63V +/-10%	8	C19-26	
	...3	1102-222034-000		ELECT CAP 2200uF/35V	8	C43-50	
	...3	1102-101034-000		ELECT CAP 100uF/35V	4	C29-32	
	...3			ELECT CAP 100uF/16V	2	C41, C42	
	...3	1102-337044-000		ELECT CAP 3.3uF/50V	2	C33, C34	
	...3	1101-223043-000		MYLAR CAP 0.022uF/50V	2	C35, C36	
	...3			DIODE 1N5404	4	D1-4	
	...3	4115-140002-101		I.C. TDA1514 SIL 9PIN SOT131 PHILIPS	2	U7, U8	
	...3		AP10086/1	TDA1514 MICA WASHER	2		
	...3	2300-006100-001		STRAIGHT CONN WAFER 6PINS 2.5MMP (2317SB-06)	1	CN11	
	...3	4030-000343-123		FUSE T-4A 5X20MM BSI	2	F2, F3	
	...3	4031-050100-001		FUSE HOLDER 5X20MM PCB MOUNT WITH PLASTIC BASE	2	F2, F3	
	...3	2333-004911-300		SPEAKER JACK B3049024	1	CN12	
	...3			UNINSULATED WIRE LINK 15MM (22SWG)	19	LK40-58	
	...3			100mm INSULATED WIRE AWG#20 UL1015 RED	1		RIGHT CHANNEL SPEAKER CABLE
	...3			250mm INSULATED WIRE AWG#20 UL1015 BLACK	1		LEFT CHANNEL SPEAKER CABLE
	...3			130mm GROUND WIRE 1 RING (M4) AWG#20 UL1015 GREEN	1		
	...3	2511-060952-241	AP10032/1	6 PIN 250MM 2.5mmP 2CONN SHIELD CABLE	1		CN9 TO CN11
				SCREWS ASSOCIATED WITH A1MK3SE POWER PCB ASSY AND HEATSINK			PLEASE CHECK THE ACCURACY OF THE FOLLOWING SECTION
	..2	7003-004001-111		SCREW M3X4 S TYPE B/H BLK	4		HEAT SINK LEGS TO BASE X4. HKENED960639
	..2	7003-006001-111		SCREW M3X6 S.T.P. B/H (BLACK)	4		PCB TO HEATSINK & BOARD BRACKET X4
	..2	7003-008001-111		SCREW M3X8 S.T.P. B/H BLK	2		HEAT SINK & BOARD BRACKET TO HEAT SINK BASE
	..2	7003-012001-111		SCREW M3X12 S.T.P B/H, BLK.	4		TRANSISTOR TO HEAT SINK BASE X4. HKENED960639
	...3			SCREW M3X8 S.T.P. B/H BLK	4		HEATSINK LEGS TO HEATSINK BASE