

KRELL INDUSTRIES, INC.
45 Connair Road
Orange, CT 06477 USA

FPB 300
Output Board

Page 1 of 1
Drawn by T. Eichenbaum
Date: August 1995

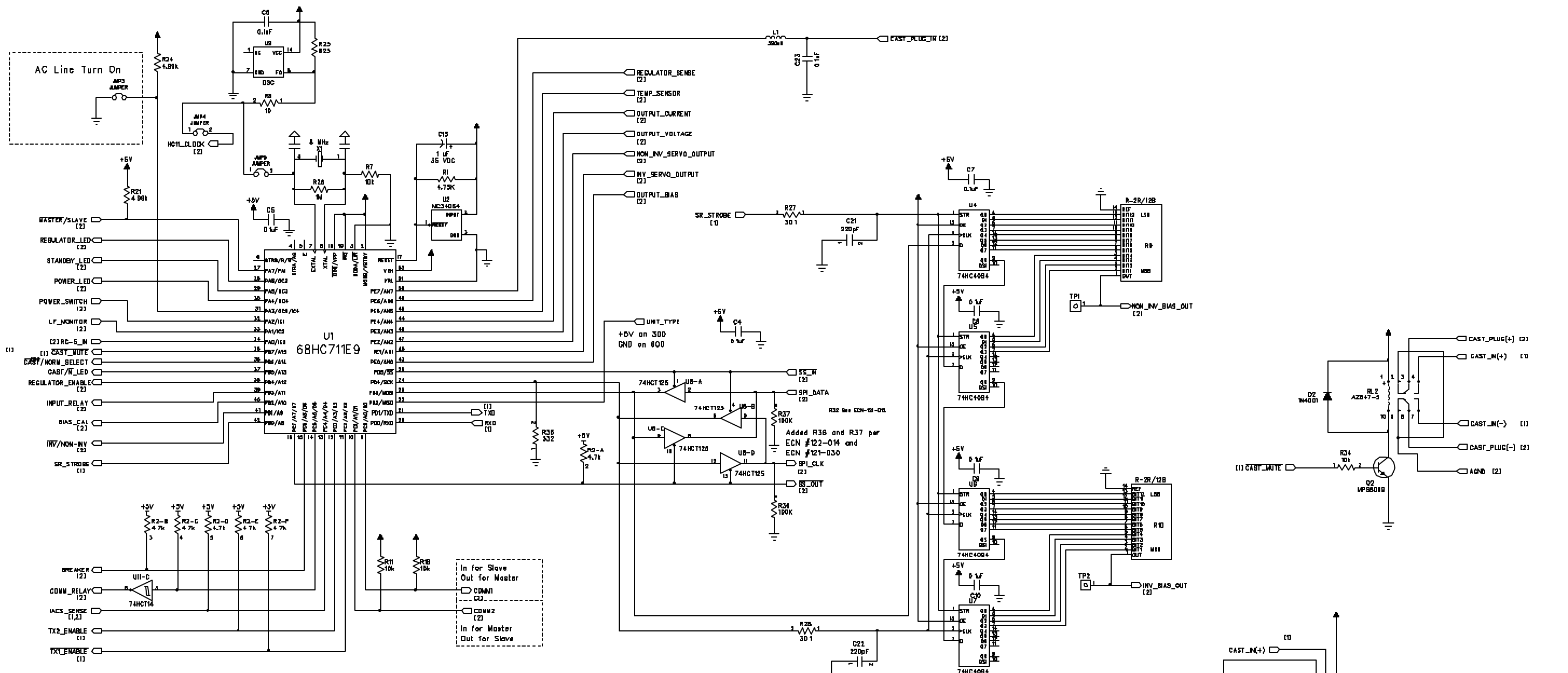
Rev.	Description	Date
B	changed connections to 0.1uF caps. changed R130,R131,R158,R159 to 150 ohms, changed C77,C78,C79,C80 to 680pF	1/28/98

Rev.	Description	Date

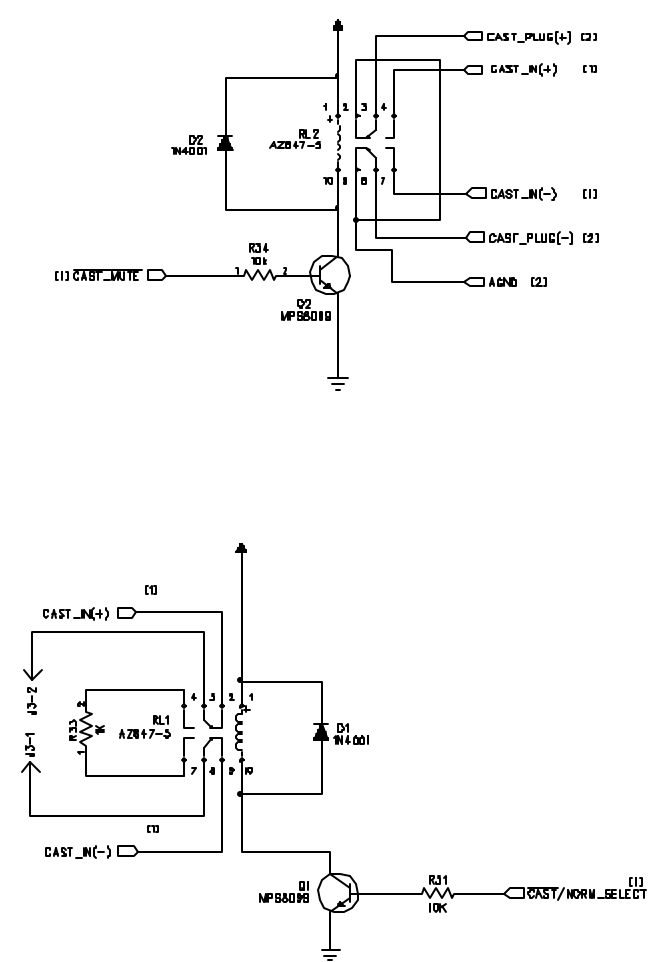
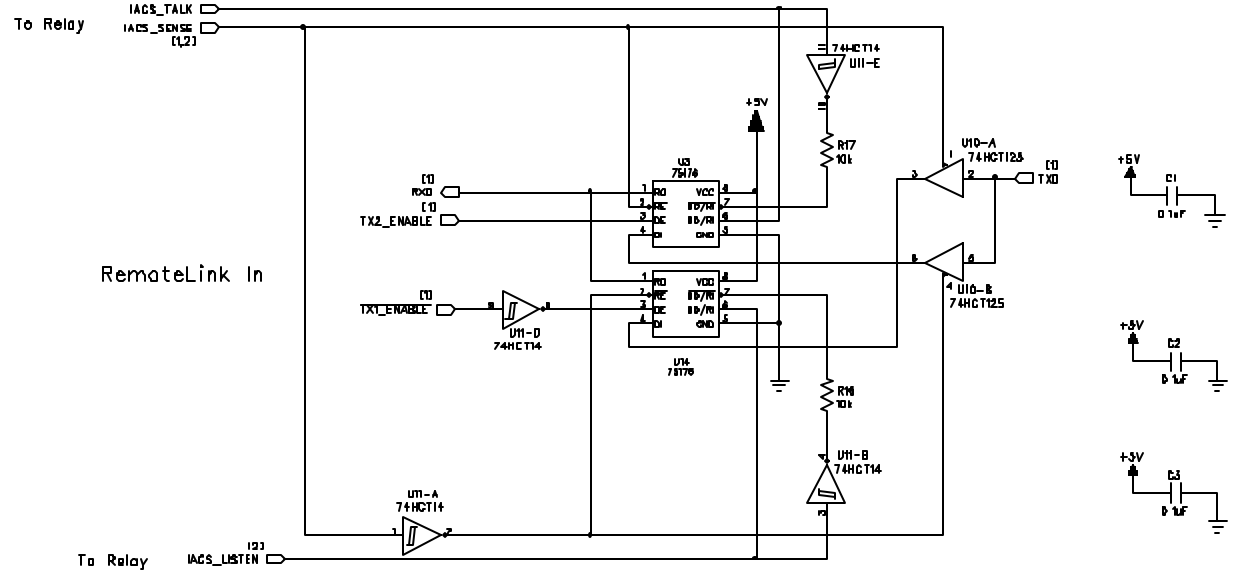
Rev.	Description	Date

Rev.	Description	Date

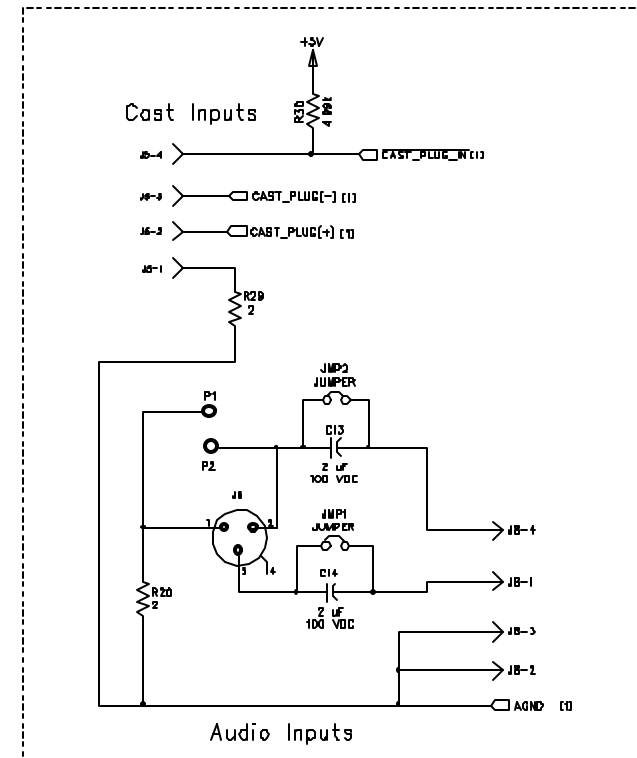
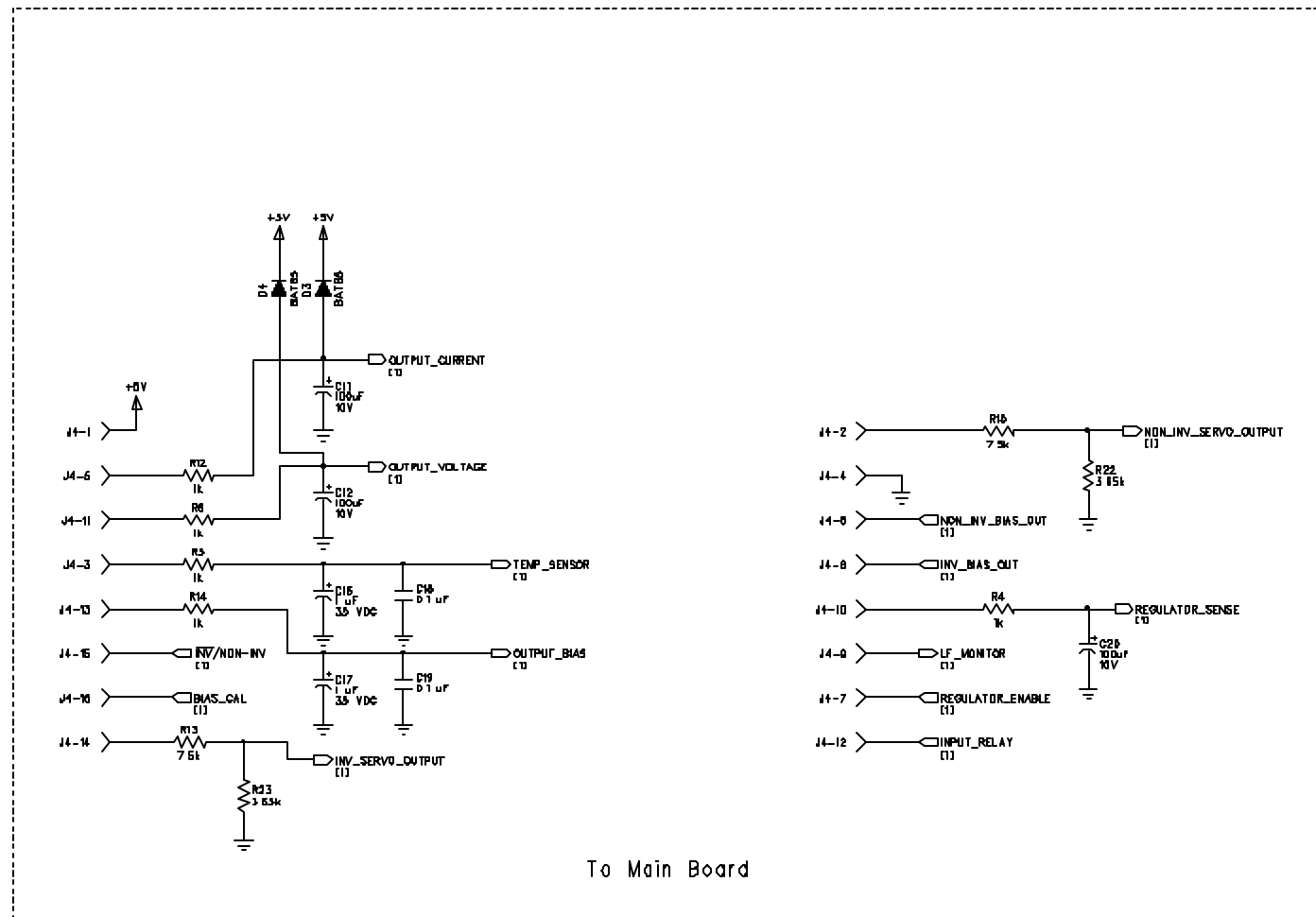
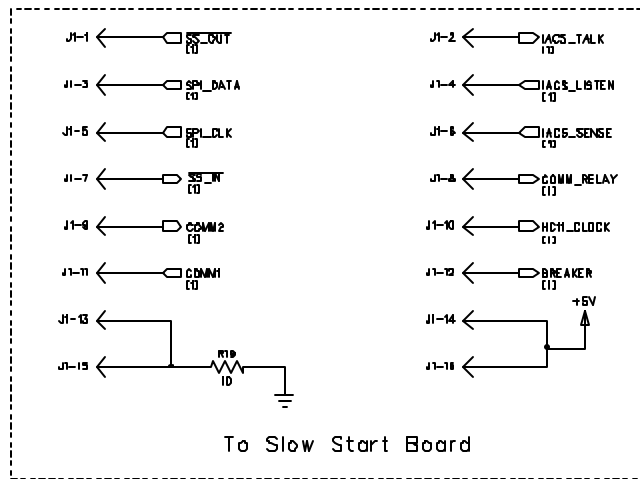
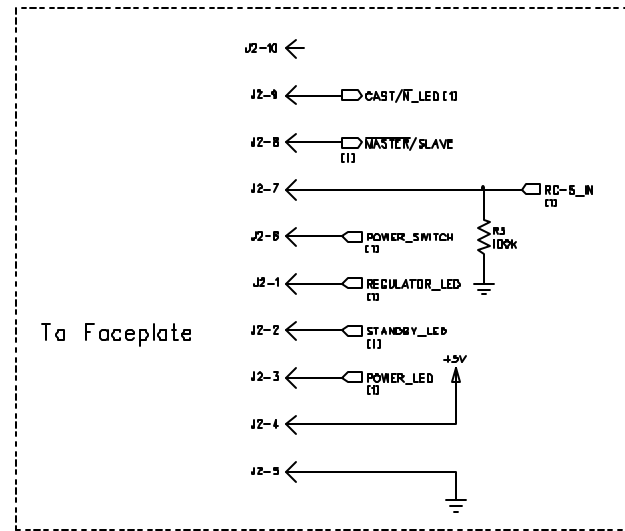
Drawing No. 100-077-01 Rev. -



RemoteLink Communication System



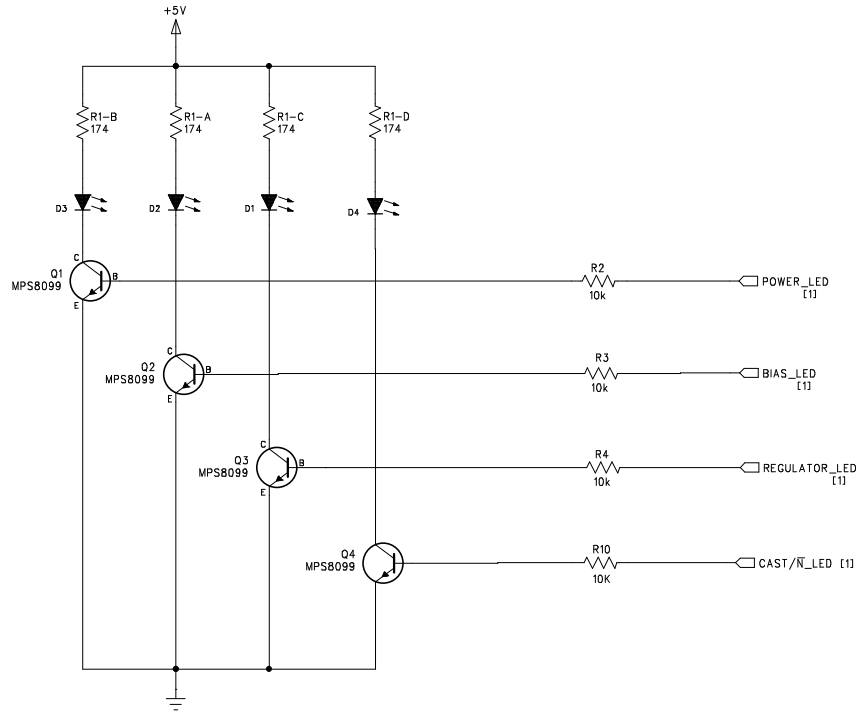
Revision Record		KRELL Industries 400 County Road Orange, CT 06477	
D			
C			
B	Moved J6 on PCB. Removed deglitch resistor R32.	03-30-99	FPB-600c/650Mc Digital Board
A	Added deglitch resistors R32, R35.	12-4-98	
	Chngd oper. of RL2 from open to short to gnd.		Drawn By: DJP
	Chngd phase of signal from J3 to relays.		
	Added new transceiver circuitry U3, U4.		Sheet #: 1 of 2
	- Original Drawing	6-9-98	



Revision Record		KRELL Industries 40 Cherry Road Orange, CT 06477	
G		FPB 300e & 600e Digital Board Connectors	
F		Drawn By:	Drawing #:
E		DJP	100-121-03
D		Sheet #:	2 of 2
C		Sheet Size D	
B			
A			
- Original Drawing		6-9-98	

6 5 4 3 2 1

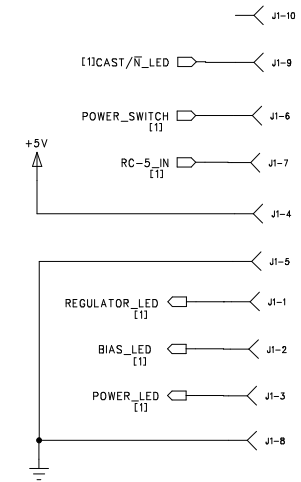
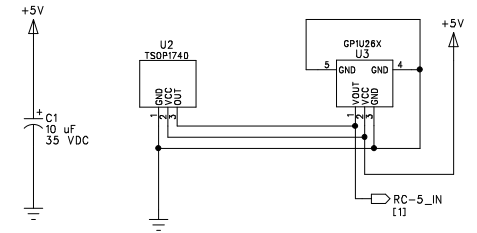
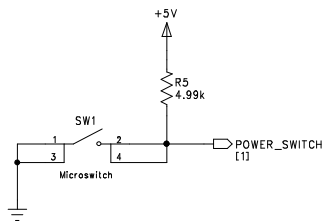
D



C

B

A



REVISION RECORD			KRELL Industries 45 Connair Drive Orange, CT 06477	
LTR	COMMENTS	DATE:	TITLE:	
			FPB-300c & 600c FACEPLATE BOARD	
			DRAWN BY:	SIZE:
			DJP	C
			DRAWING NO:	REV:
			100-121-04	A
B	Changed IR detector	4/00		
A	Moved conn J1 p10 to p9.	12/98		
-	Original Drawing	6/98	DATE: 06-17-98	SHEET: 1 of 1

6

5

4

3

2

1

D

D

C

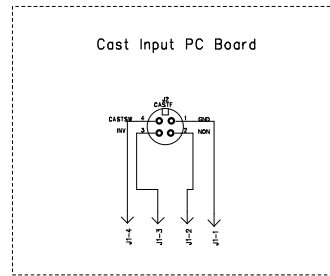
C


B

B

A

A



REVISION RECORD			 30 High St. Drive Wrentham, MA 01962		
LR#	COMMENTS	DATE	TITLE:		
A	Changed dead on PC board.	11-18-98	FPB-300c & 600c Cast Board		
			DRAWN BY:	SIZE:	DRAWING NO:
			DJP	D	100-121-07
					REV:
					A
			DATE:	07-30-98	SHEET: 1 of 1