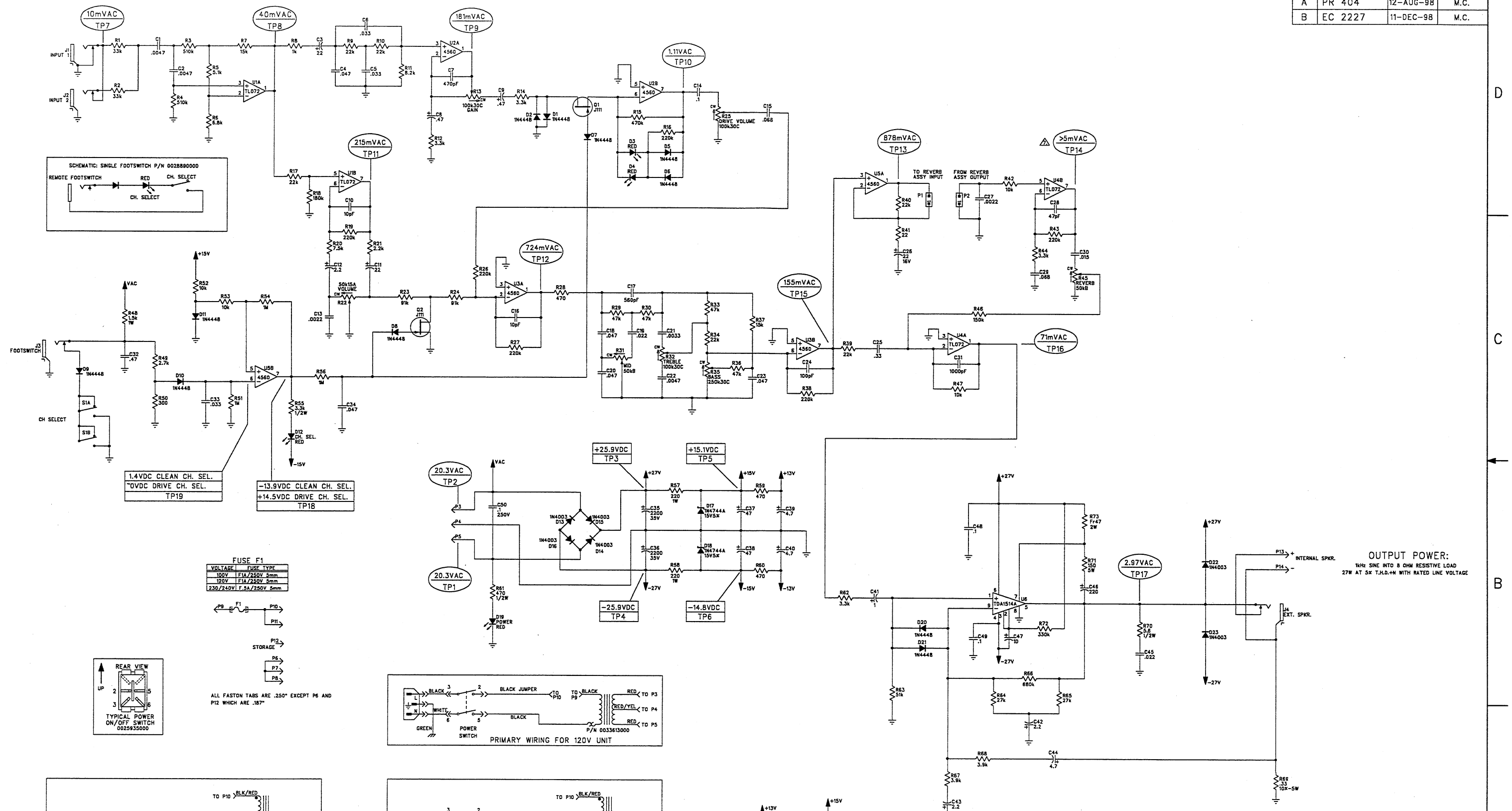
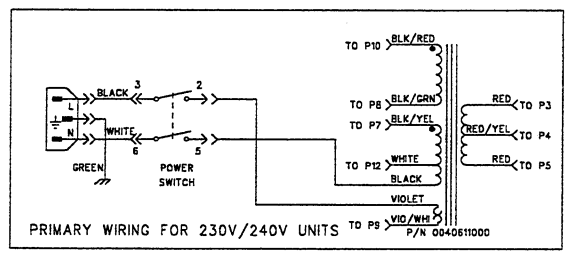
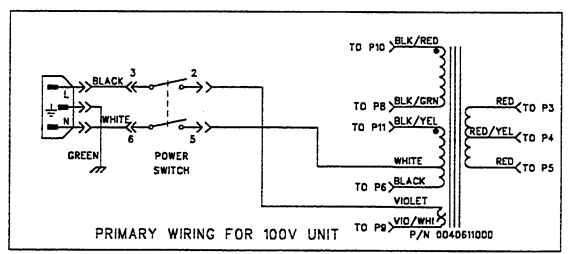
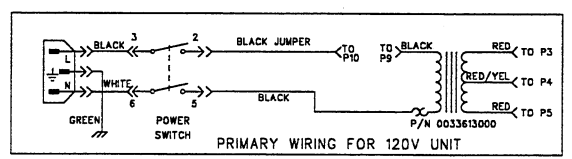
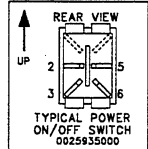
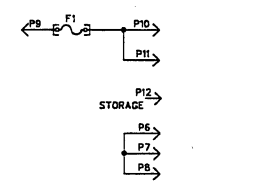


REVISIONS			
REV.	DESCRIPTION	DATE	APPROVED
A	PR 404	12-AUG-98	M.C.
B	EC 2227	11-DEC-98	M.C.



FUSE F1

VOLTAGE	FUSE TYPE
100V	F1A/250V 5mm
120V	F1A/250V 5mm
230/240V	F.5A/250V 5mm



OUTPUT POWER:
1kHz SINE INTO 8 OHM RESISTIVE LOAD
27W AT 5x T.H.D.+N WITH RATED LINE VOLTAGE

- NOTES: (UNLESS OTHERWISE NOTED)
1. ALL UNPOLARIZED CAPACITORS IN uF: 50V (MIN), 20x.
 2. ALL POLARIZED CAPACITORS IN uF: 50V (MIN), 20x.
 3. DC VOLTAGES READ TO GROUND WITH A DVM. NO INPUT SIGNAL.
 4. DC VOLTAGES READ TO GROUND WITH A DVM. NO INPUT SIGNAL.
 5. AC VOLTAGES READ TO GROUND WITH A DVM UNDER THE FOLLOWING CONDITIONS:
 a. UNIT AT RATED LINE VOLTAGE
 b. REVERB PAN P/N 0041387000 CONNECTED AT P1 AND P2
 c. 8 OHM RESISTIVE LOAD CONNECTED AT P13/P14
 d. CH. SELECT SWITCH (S1) PUSHED IN
 e. NO FOOTSWITCH CONNECTED
 f. "REVERB" CONTROL AT "0"
 g. "GAIN" CONTROL AT "3"
 h. ALL OTHER CONTROLS AT "1/2"
 i. 1kHz SINE WAVE INPUT TO J1

THIS DOCUMENT CONTAINS INFORMATION OF A PROPRIETARY NATURE TO FENDER MUSICAL INSTRUMENTS AND IS SUBMITTED TO YOU IN CONFIDENCE AND SHALL NOT BE DISCLOSED OR TRANSMITTED TO OTHERS WITHOUT AUTHORIZATION FROM FENDER MUSICAL INSTRUMENTS.

Fender MUSICAL INSTRUMENTS
2621 Research Drive
Corona, CA 91720 USA

CHECKED BY: *[Signature]*
DATE: 1-8-99

APPROVED BY: *[Signature]*
DATE: 1-7-99

DRAWN: M. COZZA | ENGR: M. COZZA
DATABASE FILE: Z404S.SCH

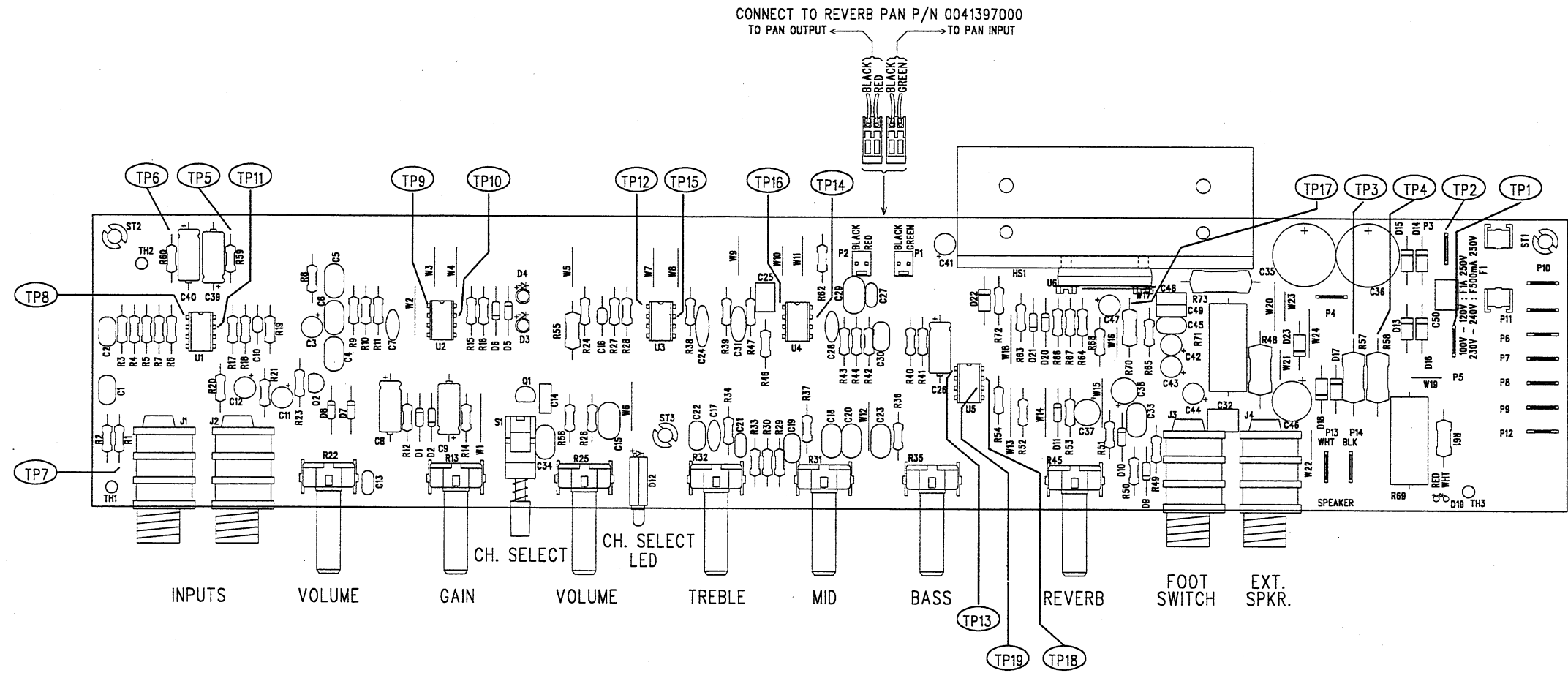
TITLE: SERVICE DIAGRAM, COMBINED (schematic)
CHAMPION 30

SIZE: **D** DRAWING NUMBER: **0054331000** REV. **B**

RELEASE DATE: 12-AUG-98 SHEET: 1 OF 2

8 7 6 5 4 3 2 1

REVISIONS			
REV.	DESCRIPTION	DATE	APPROVED
A	PR404	12-AUG-98	M.C.
B	EC 2227	11-DEC-98	M.C.



FILM/DWG: SERVICE DIAGRAM
 DATABASE: Z404P.PCB DATE: 12-AUG-98

THIS DOCUMENT CONTAINS INFORMATION OF A PROPRIETARY NATURE TO FENDER MUSICAL INSTRUMENTS AND IS SUBMITTED TO YOU IN CONFIDENCE AND SHALL NOT BE DISCLOSED OR TRANSMITTED TO OTHERS WITHOUT AUTHORIZATION FROM FENDER MUSICAL INSTRUMENTS.

CHECKED BY: *[Signature]*
 DATE: 1-8-99

APPROVED BY: *[Signature]*
 DATE: 1-7-99

DRAWN: M. COZZA ENGR: M. COZZA
 DATABASE FILE: Z404P.PCB

Fender MUSICAL INSTRUMENTS
 2621 Research Drive
 Corona, CA 91720 USA

TITLE: SERVICE DIAGRAM, COMBINED (PCB assy)
 CHAMPION 30

SIZE: C DRAWING NUMBER: 0054331000 REV. B
 RELEASE DATE: 12-AUG-98 SHEET 2 OF 2

1. SEE SHEET 1 FOR PRIMARY WIRING, TEST CONDITIONS, AND TEST POINT VALUES.
 NOTES: (UNLESS OTHERWISE NOTED)

8 7 6 5 4 3 2 1