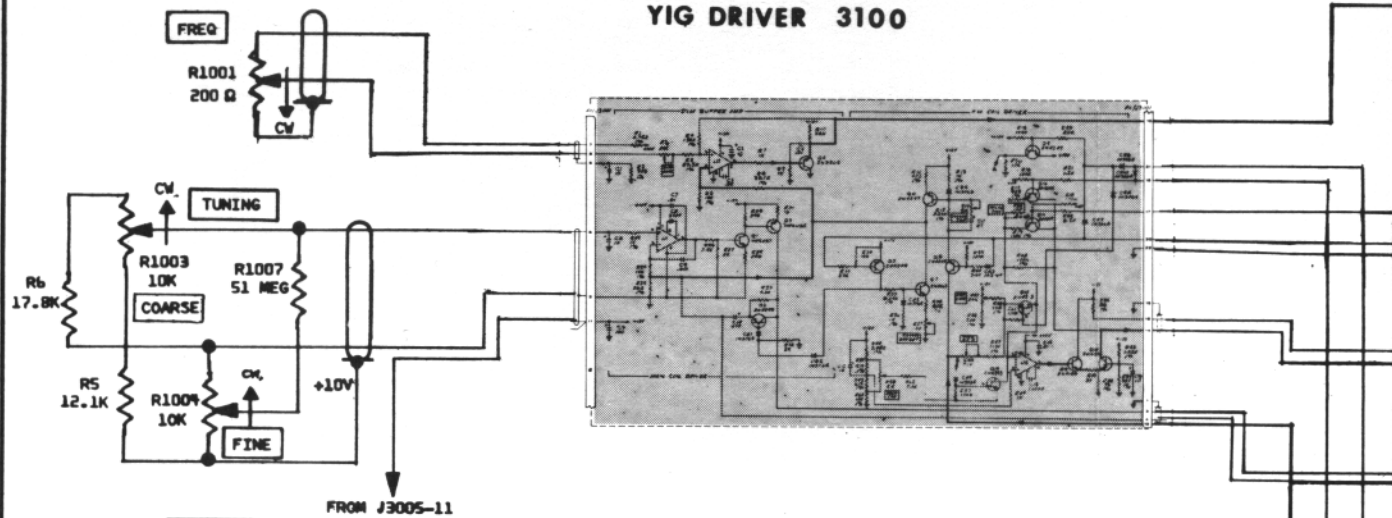
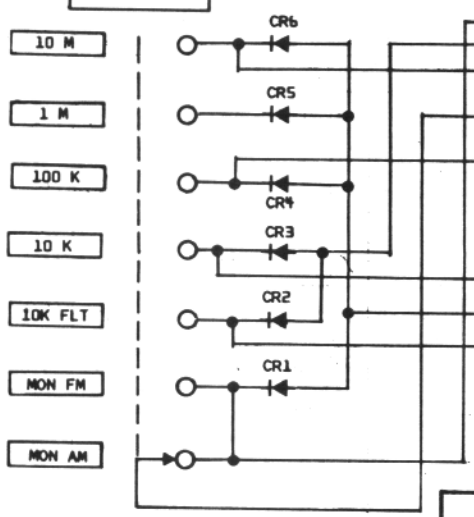


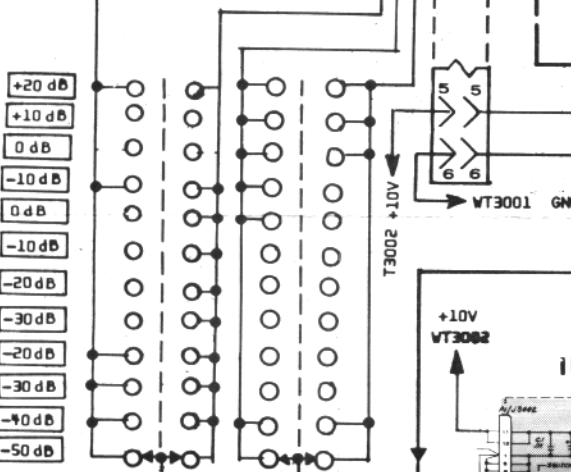
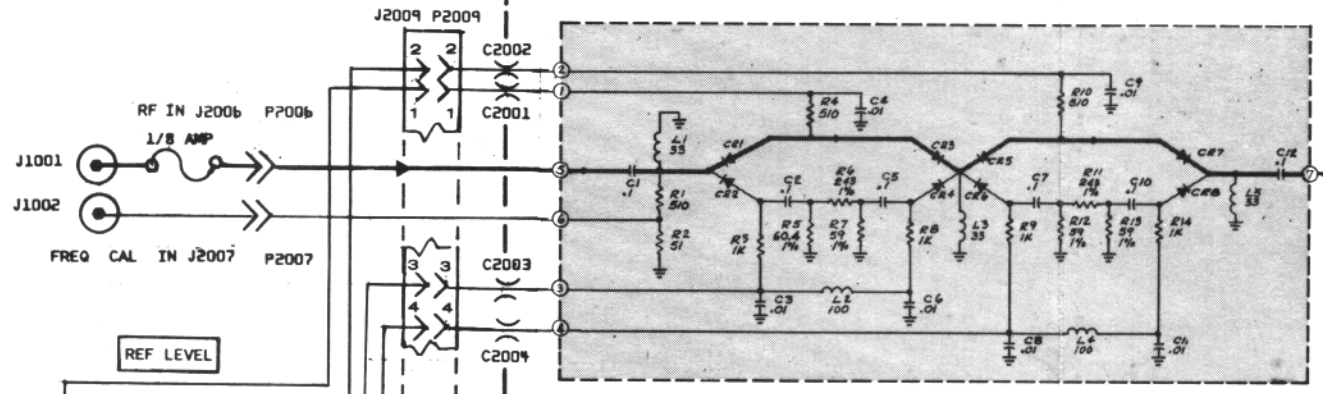
### YIG DRIVER 3100



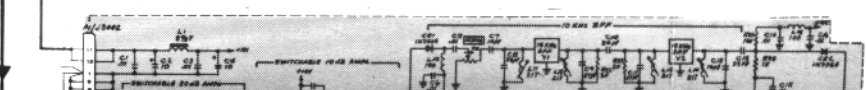
### SCAN WIDTH



### RF ATTENUATOR 2100

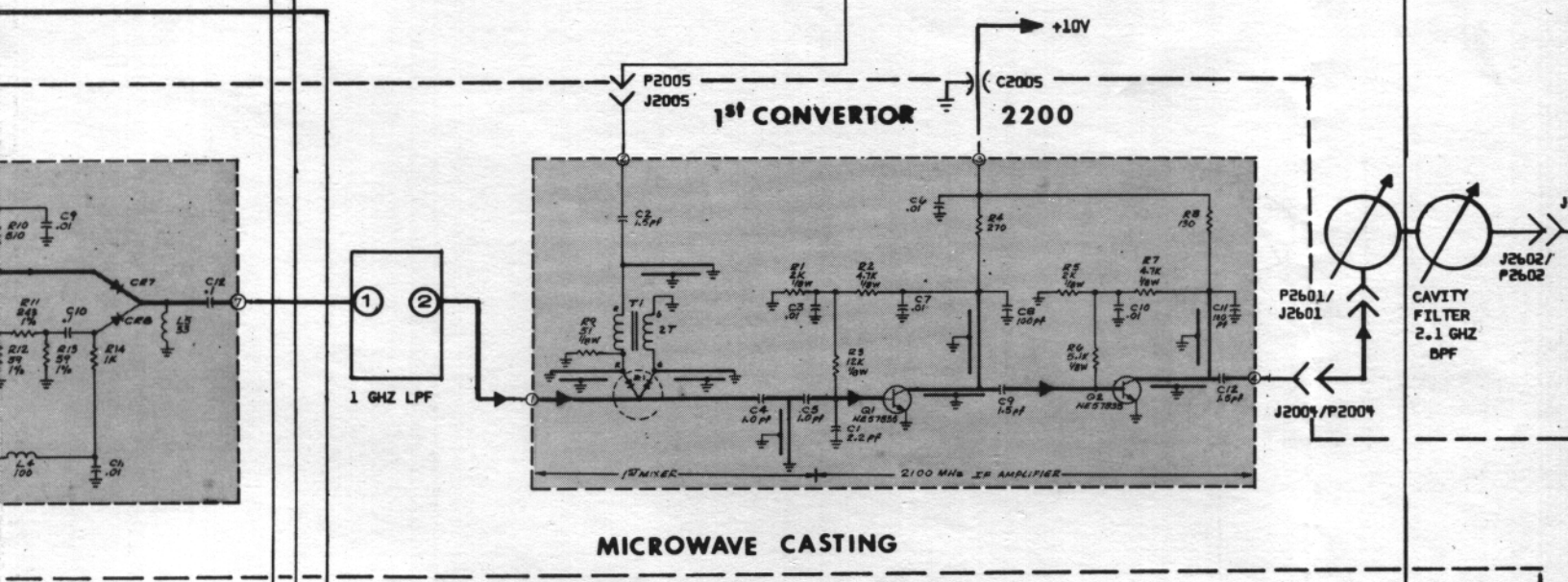
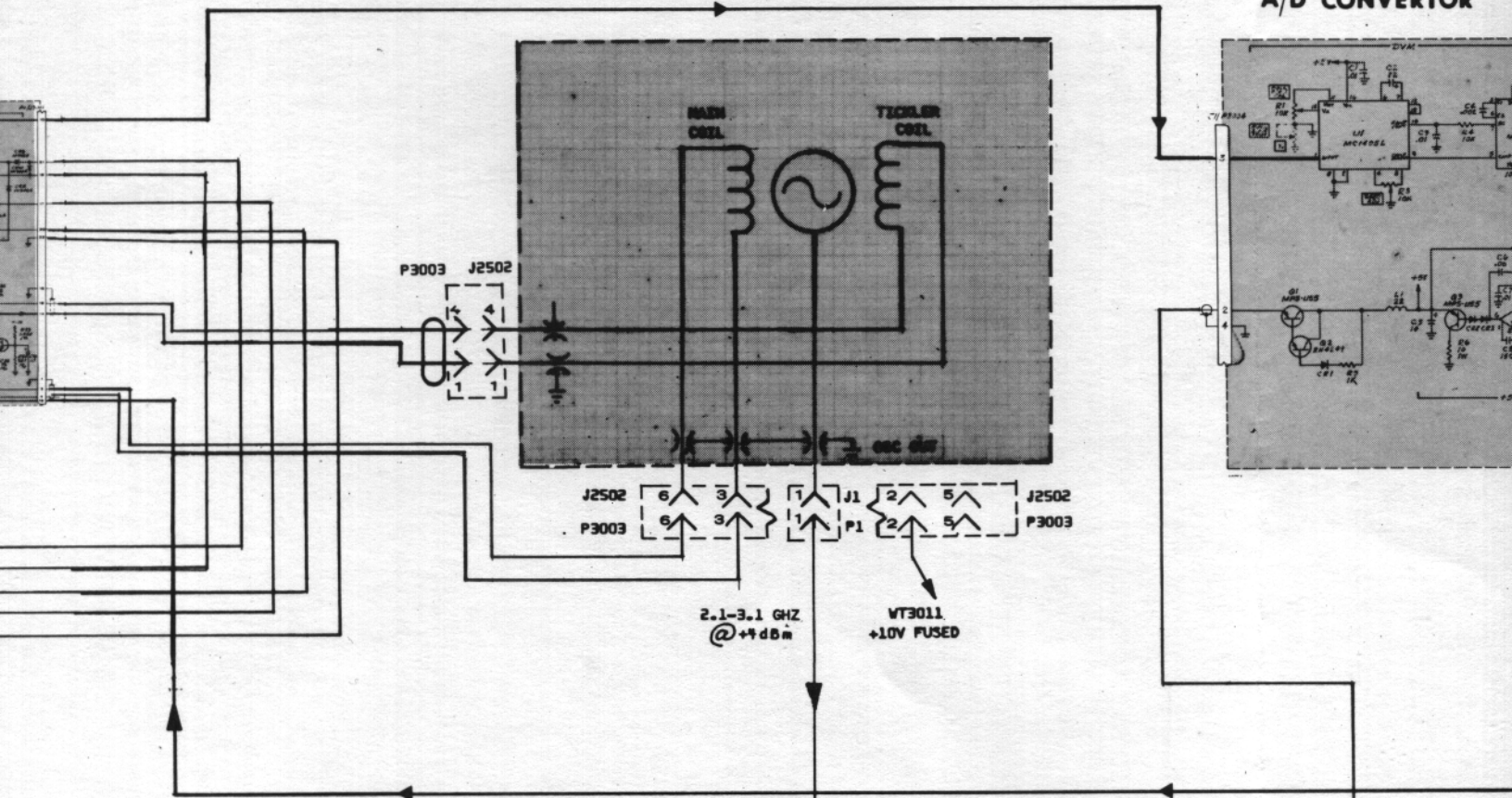


### IF SWITCHABLE GAIN AND BW 3200



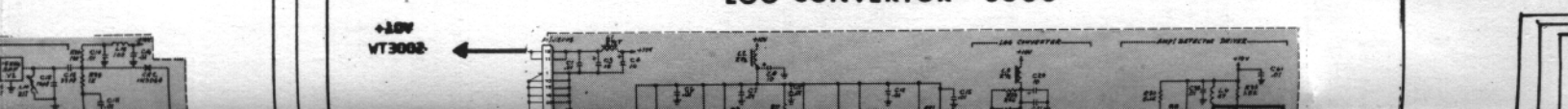
2.1-3.1 GHz YIG OSC 2500

A/D CONVERTOR

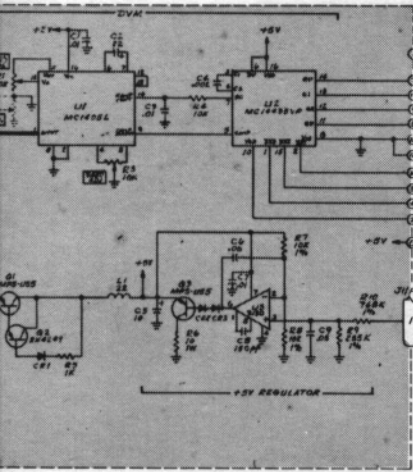


MICROWAVE CASTING

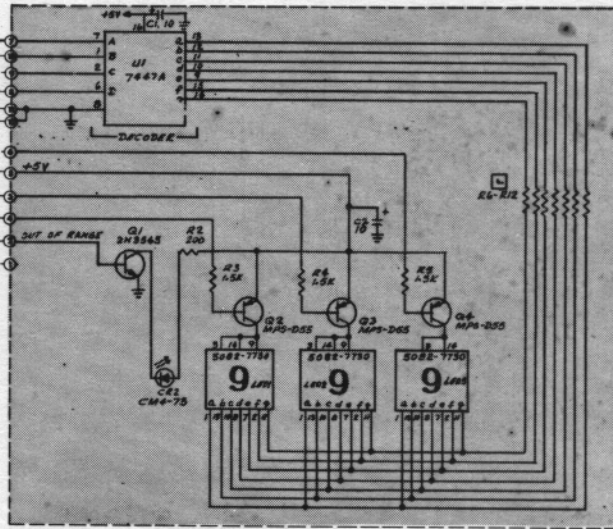
LOG CONVERTOR 3300



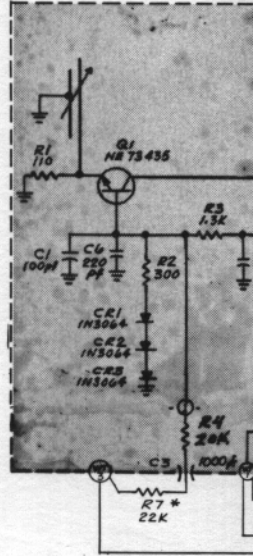
D CONVERTOR 1300



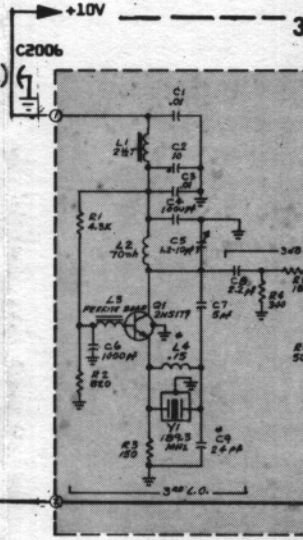
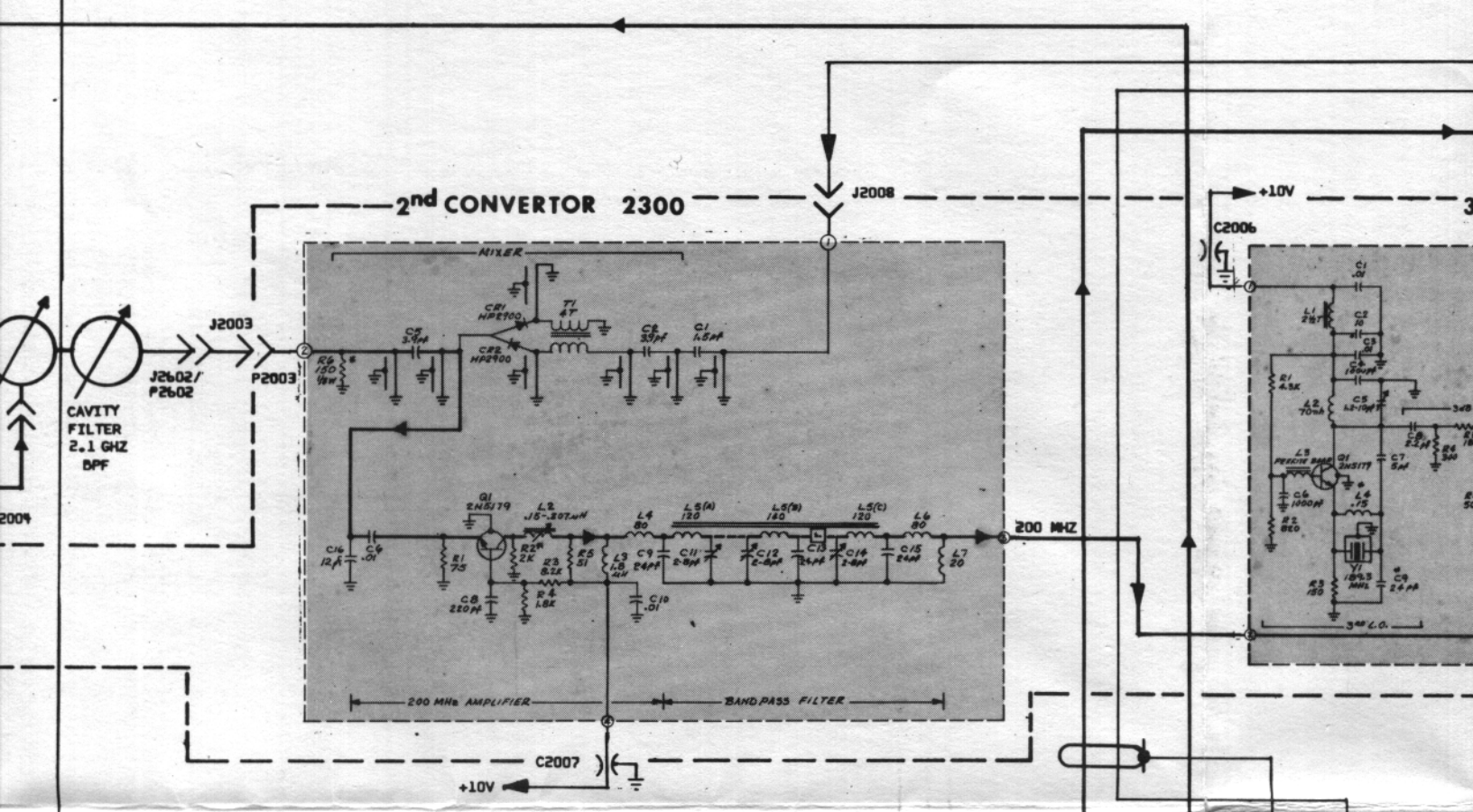
DISPLAY 1200



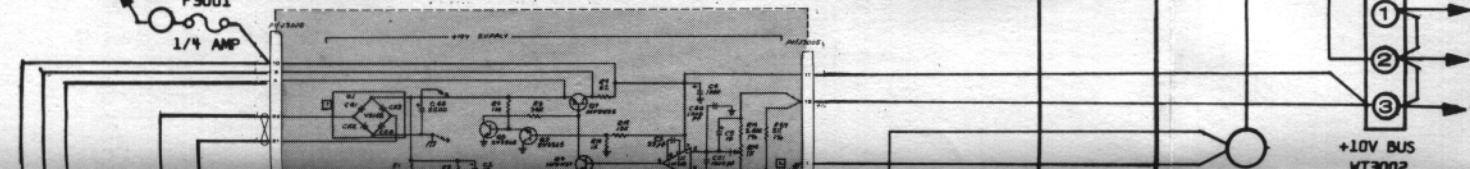
1900 MHz OS



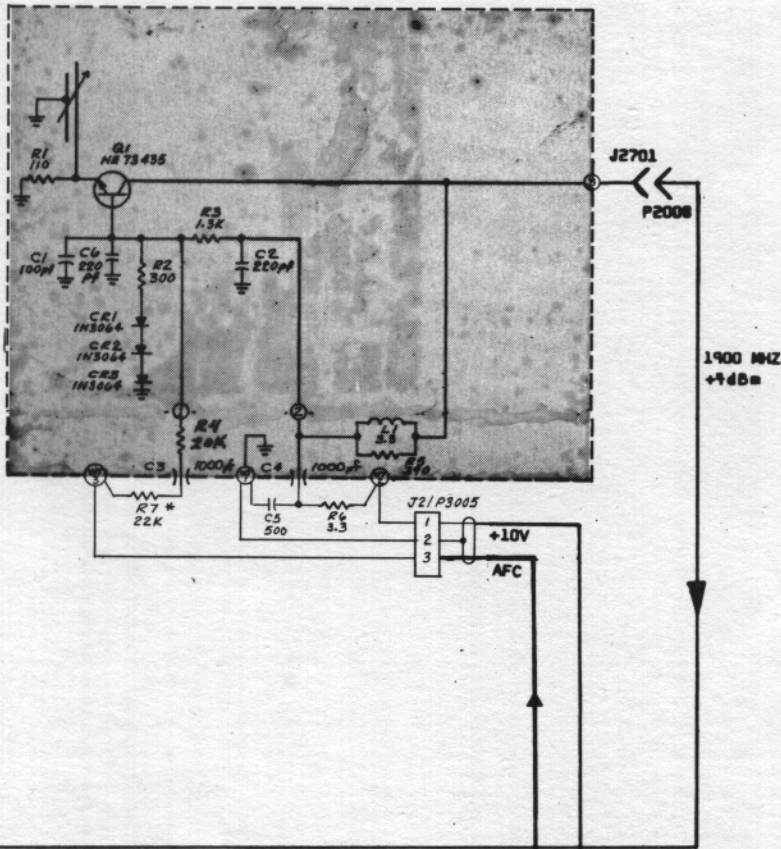
2nd CONVERTOR 2300



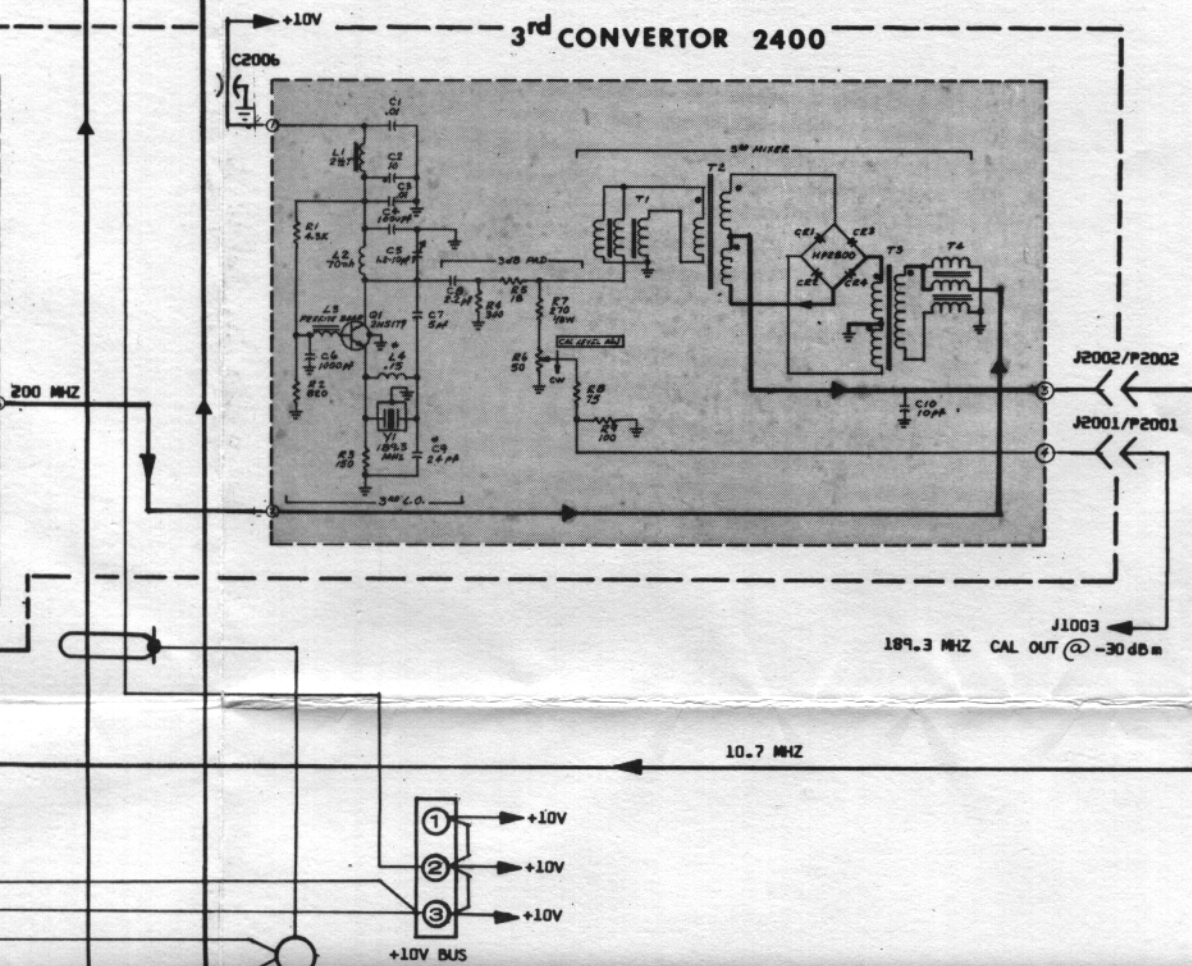
AUDIO/10V SUPPLY 3500

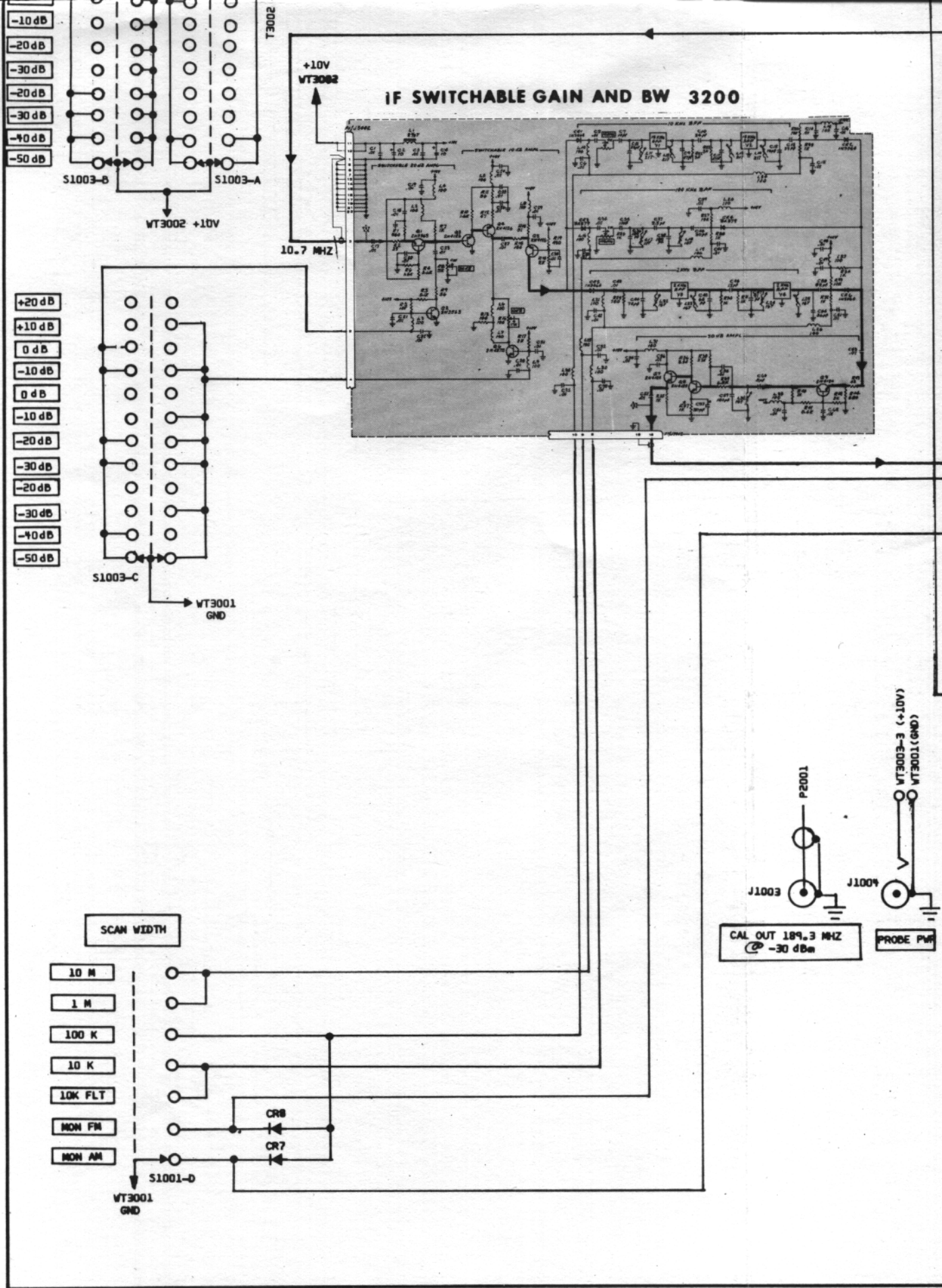


### 1900 MHz OSCILLATOR 2700



### 3rd CONVERTOR 2400





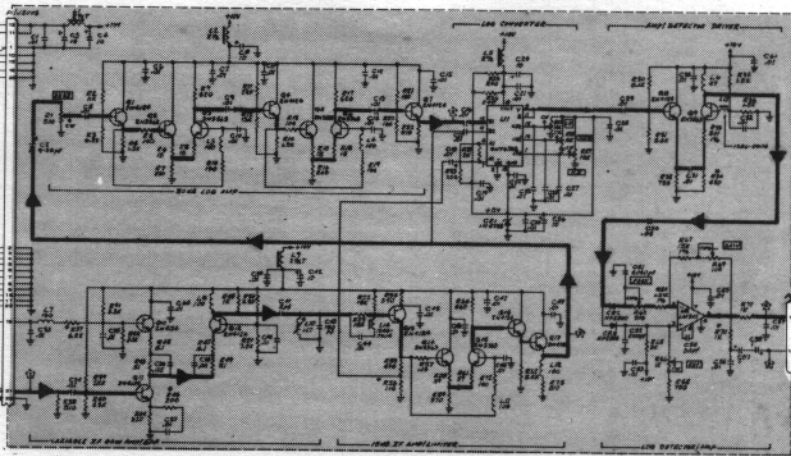
# LOG CONVERTOR 3300

+10V  
VT3002

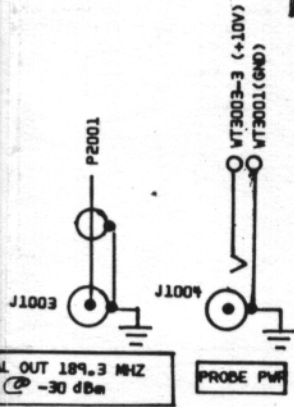
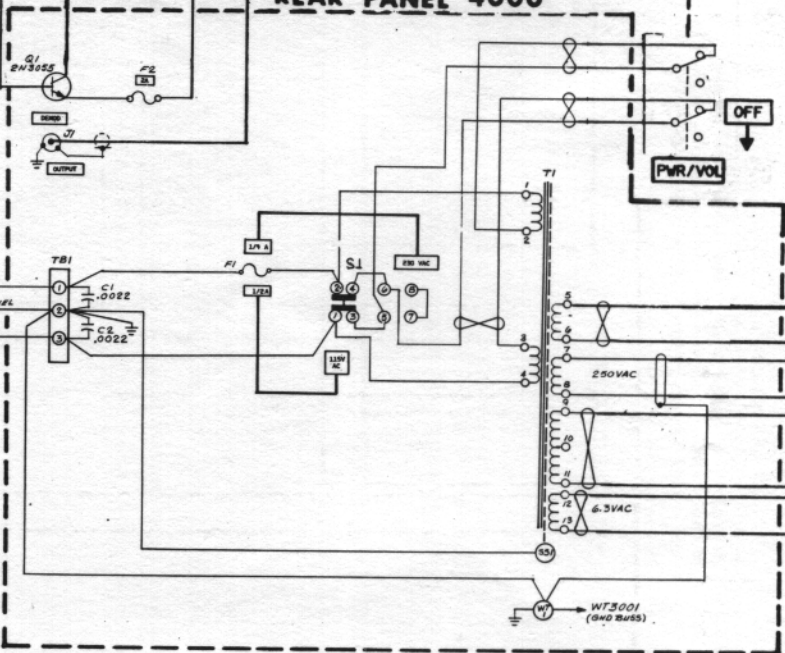
LEVEL CAL

R1002  
10K

CV



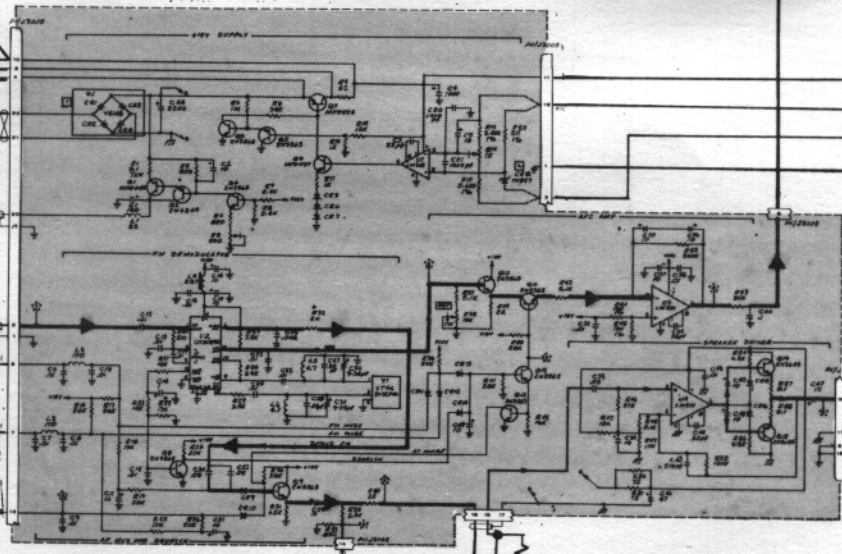
# REAR PANEL 4000



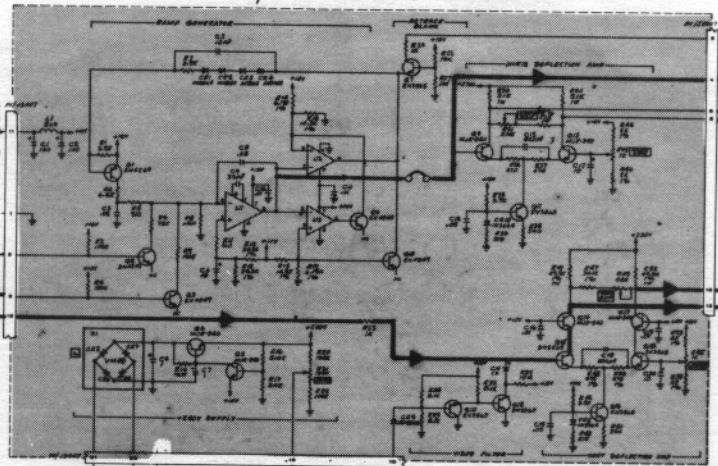
YIG PWR TO 2500

F3001  
1/4 AMP

### AUDIO/10V SUPPLY 3500



### RAMP GEN/DEFL AMPL 3600



+10V  
VT3002

R2  
2MEG

OFF

+10V  
VT3002

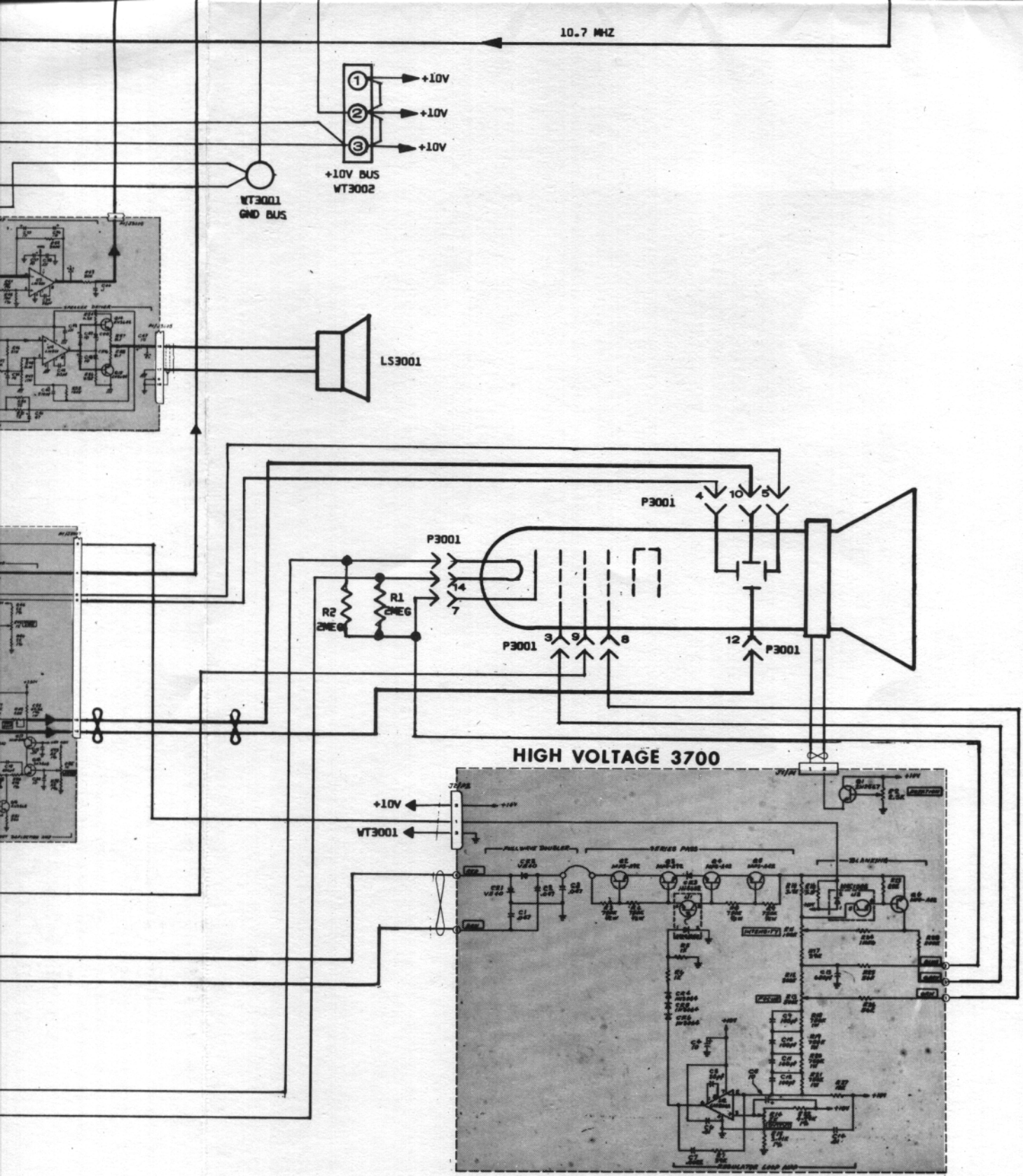


Figure 3-1. CE-15 Overall Block Diagram

3-7/3-8



# **K4XL's** **BAMA**

This manual is provided **FREE OF CHARGE** from the “BoatAnchor Manual Archive” as a service to the Boatanchor community.

It was uploaded by someone who wanted to help you repair and maintain your equipment.

If you paid anyone other than BAMA for this manual, you paid someone who is making a profit from the free labor of others without asking their permission.

You may pass on copies of this manual to anyone who needs it. But do it without charge.

Thousands of files are available without charge from BAMA. Visit us at <http://bama.sbc.edu>