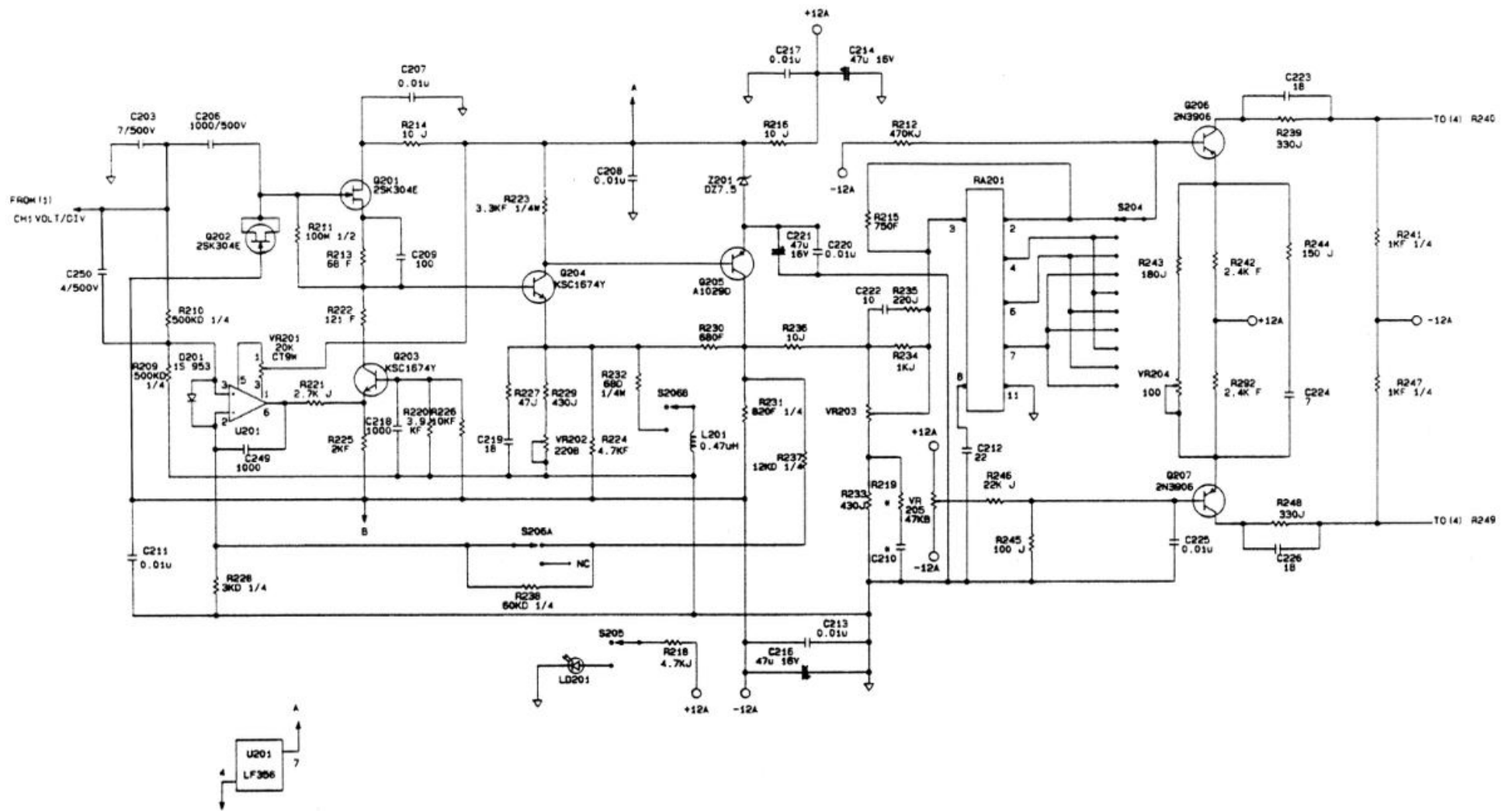
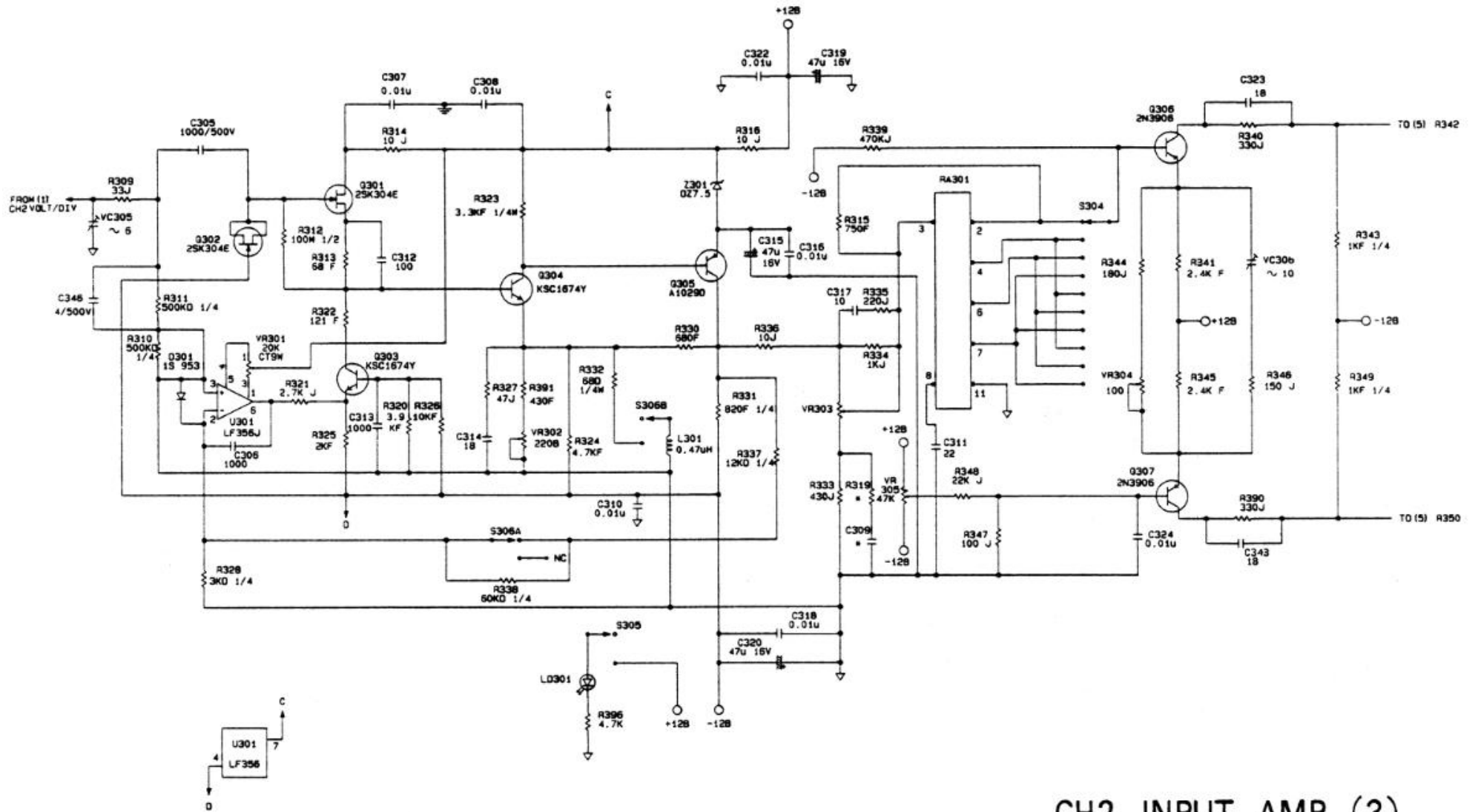


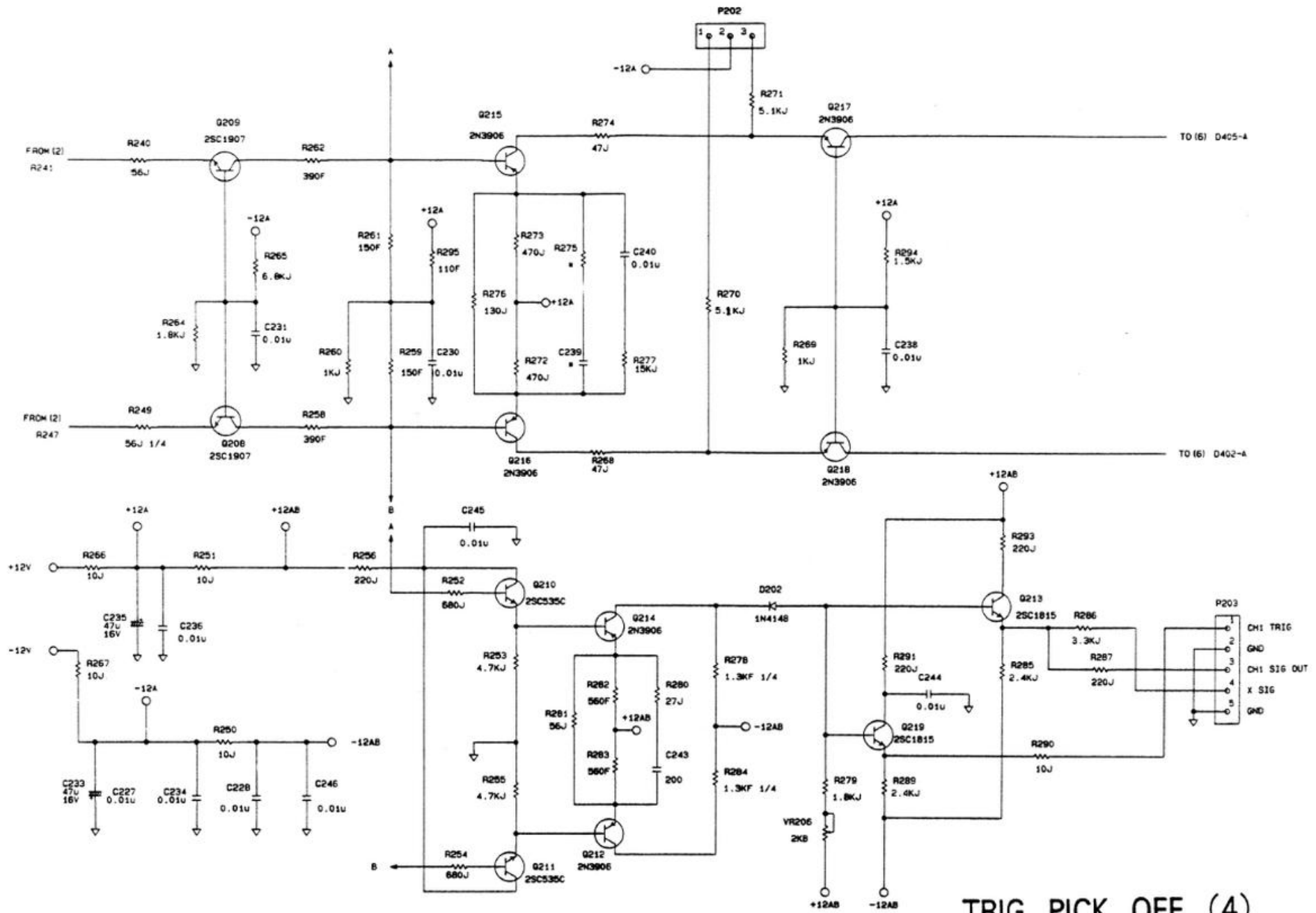
ATTENUATOR (1)



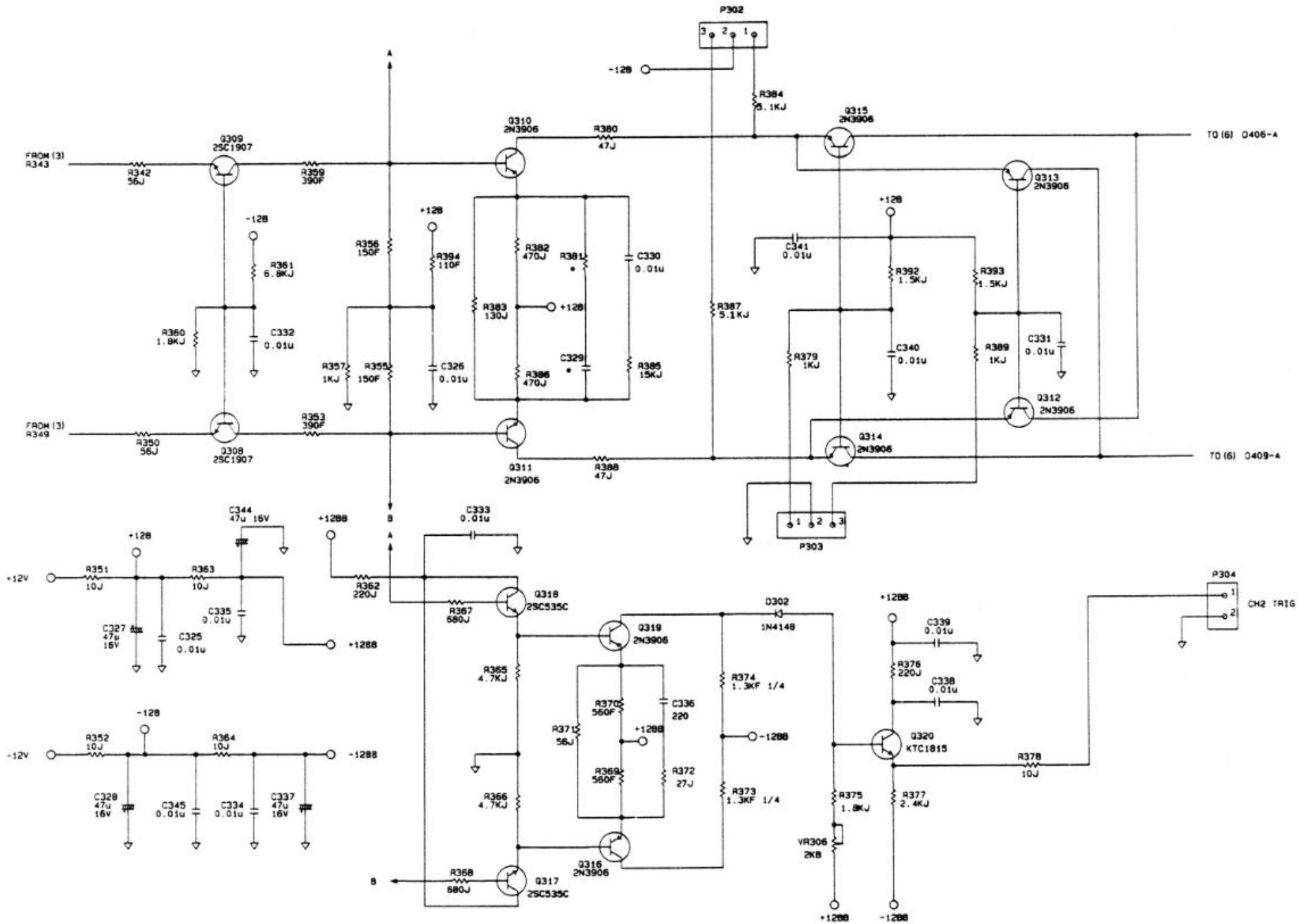
CH1 INPUT AMP (2)



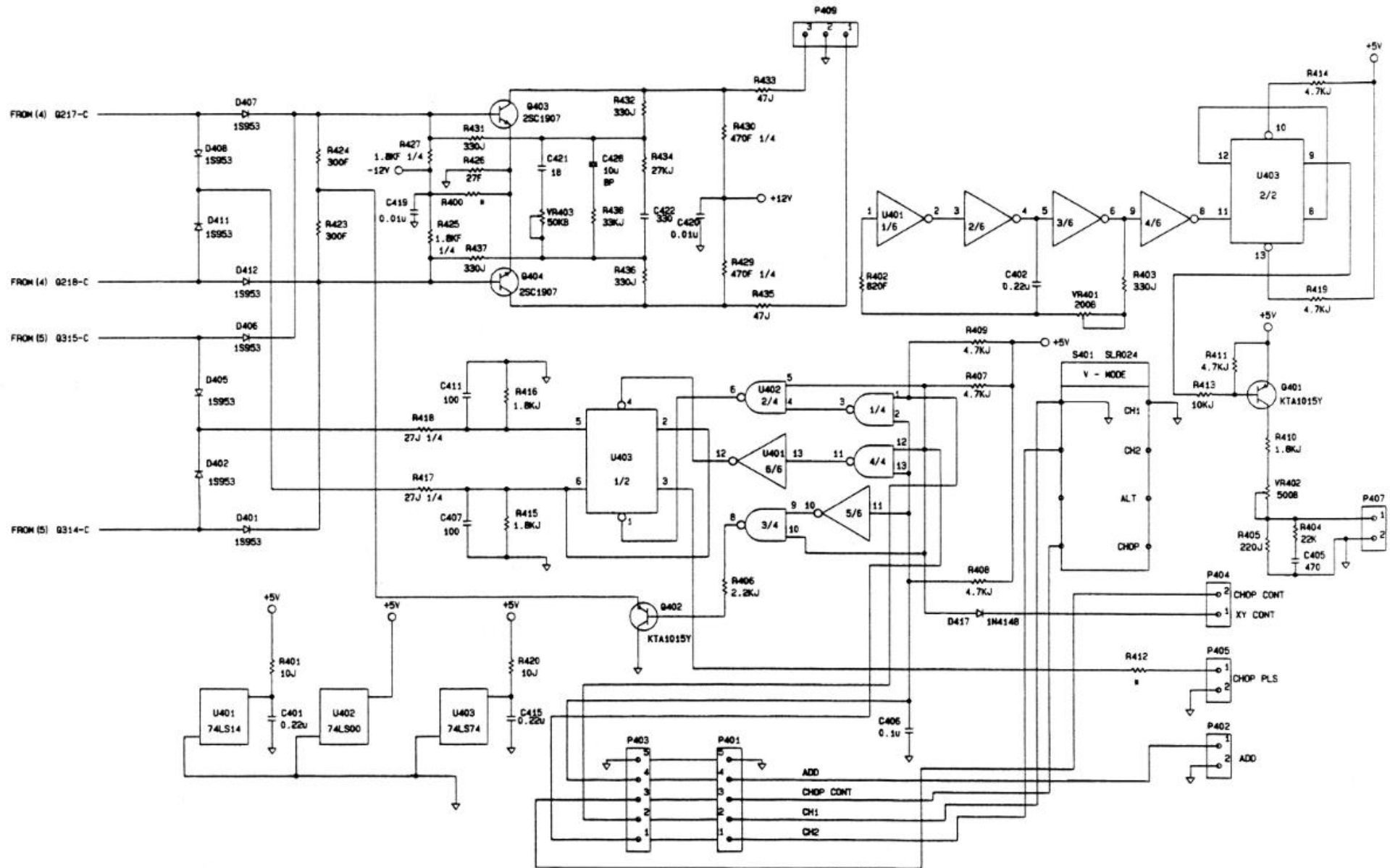
CH2 INPUT AMP (3)



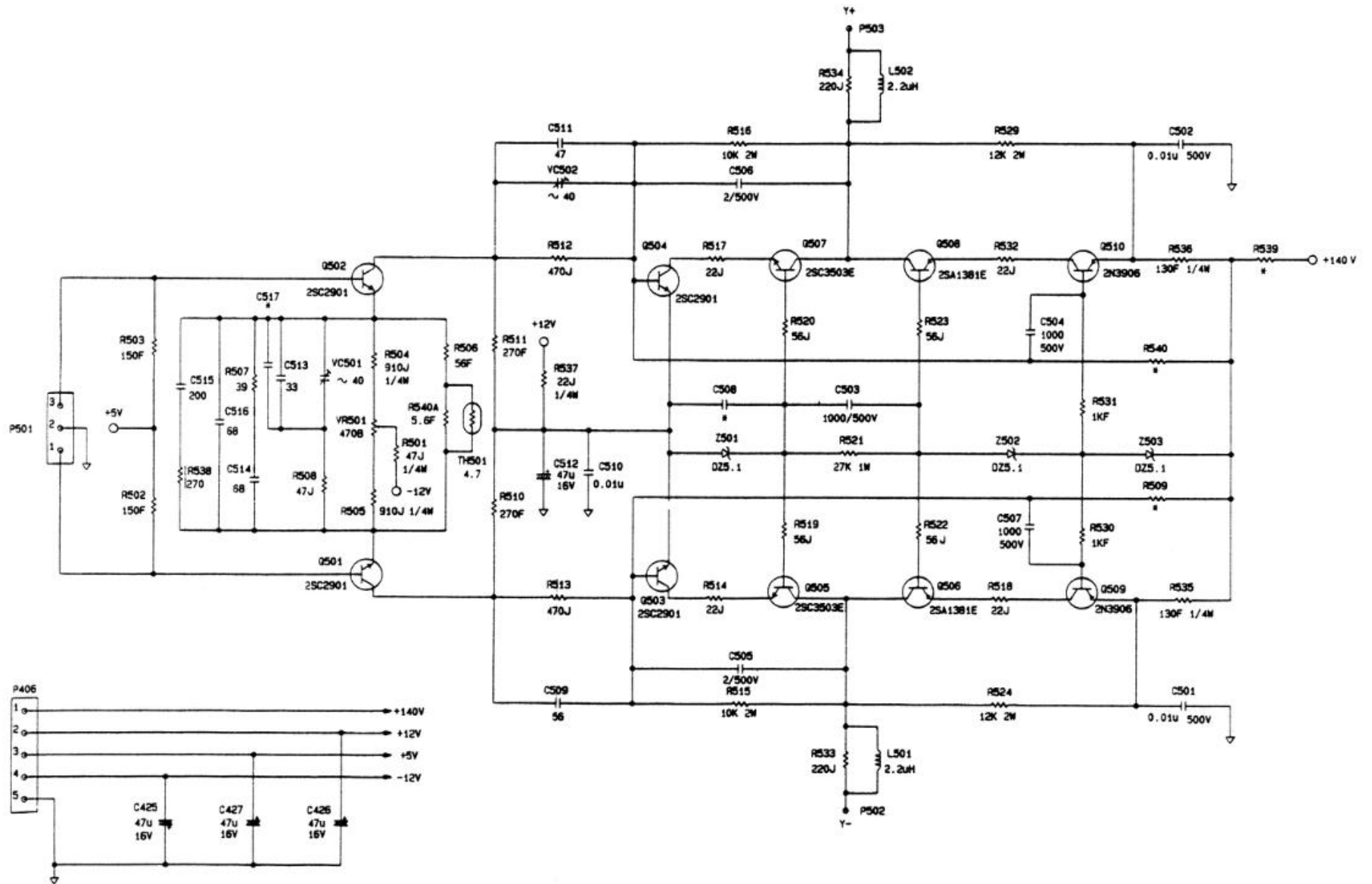
TRIG PICK OFF (4)



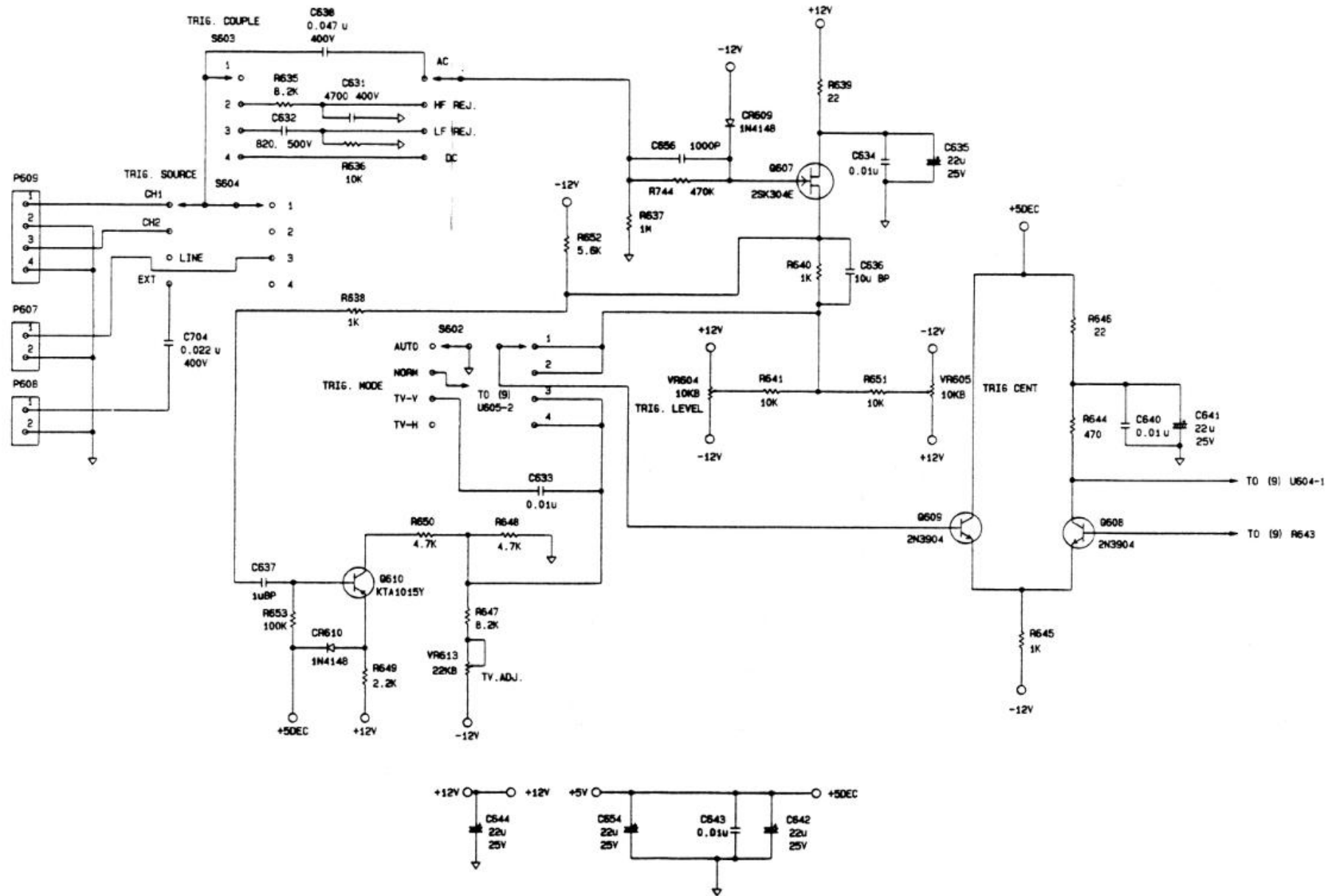
TRIG PICK OFF (5)



VERTICAL CONTROL (6)

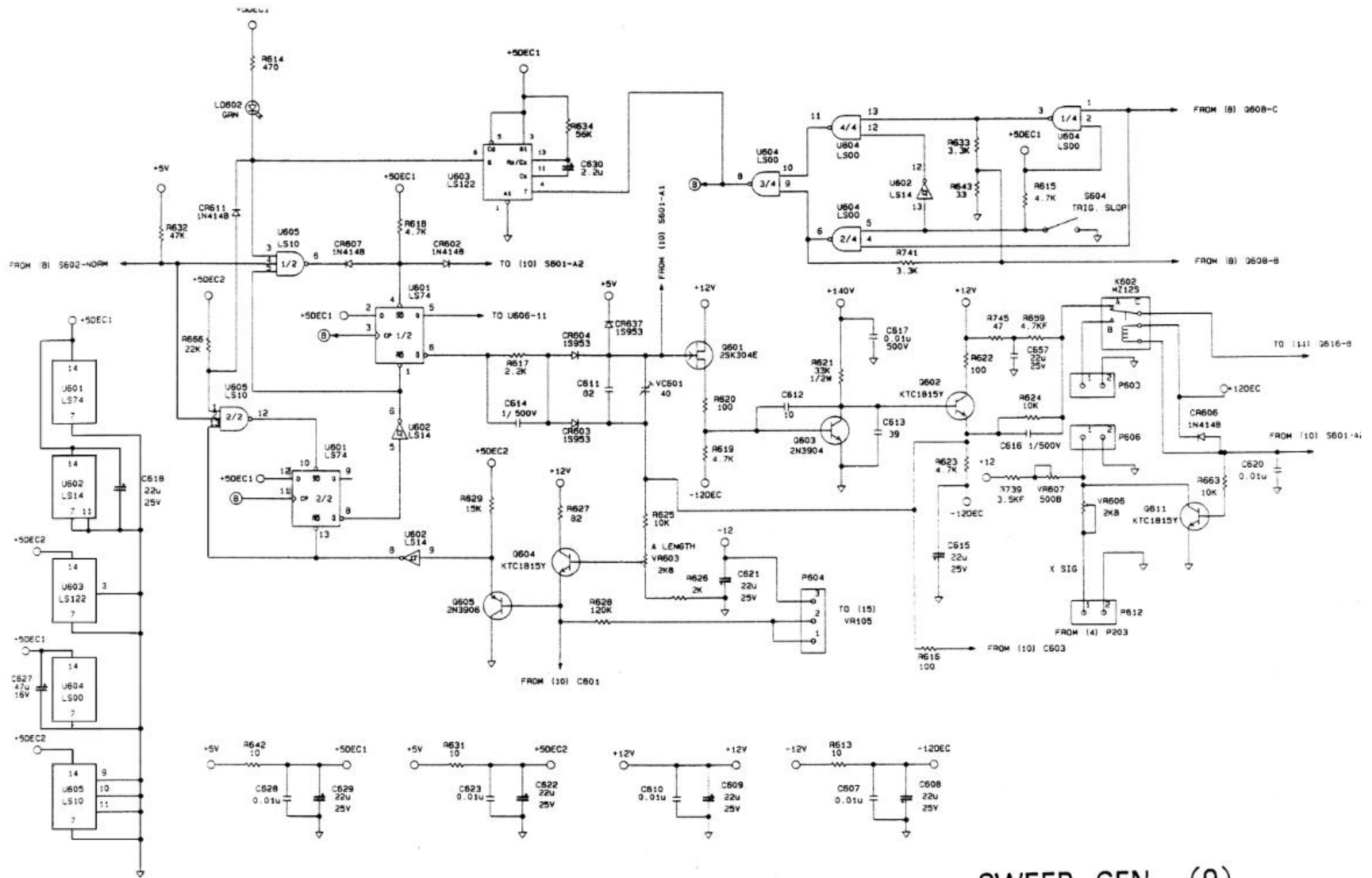


VERTICAL MAINAMP (7)

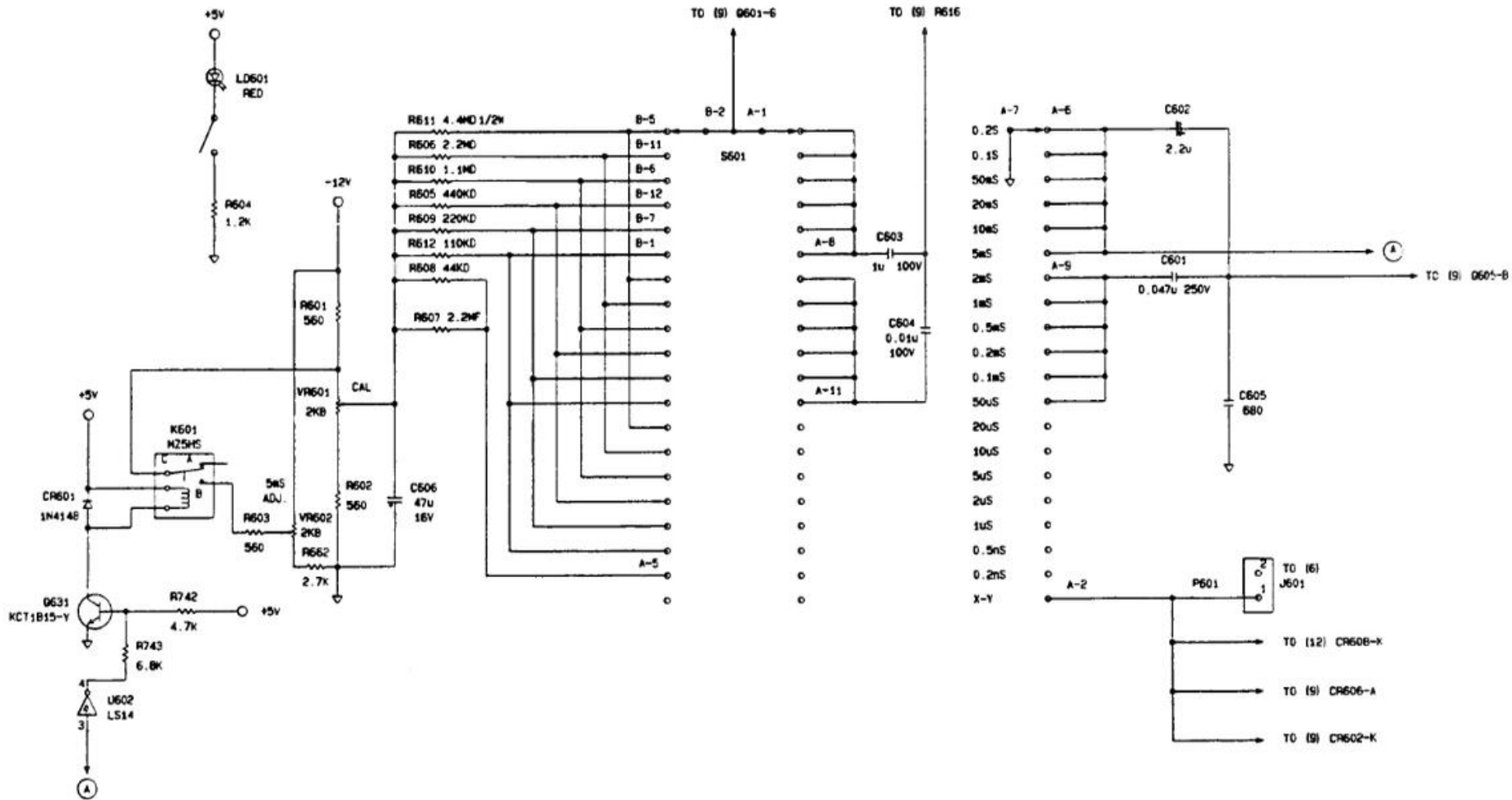


TRIG. AMP. (8)

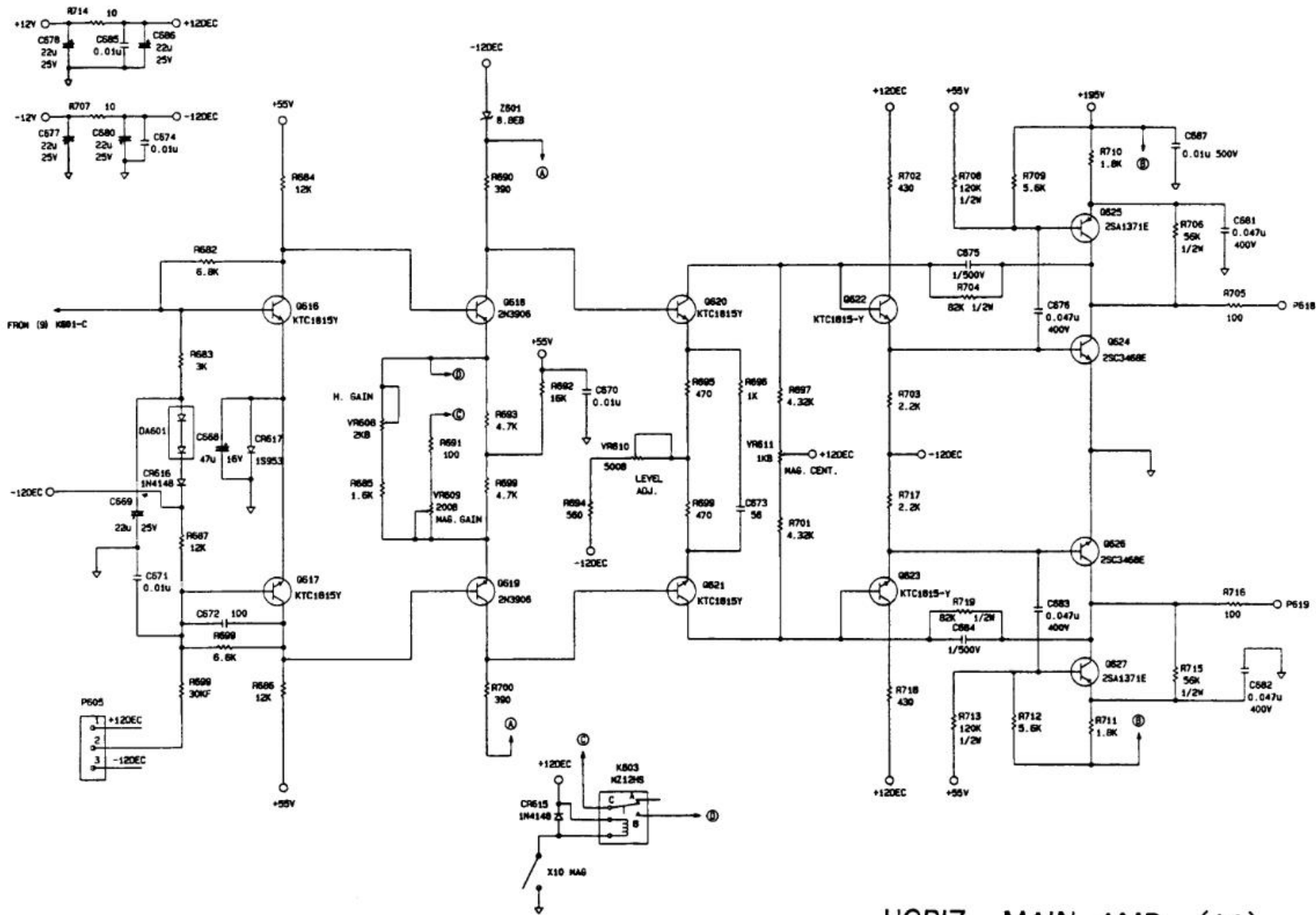




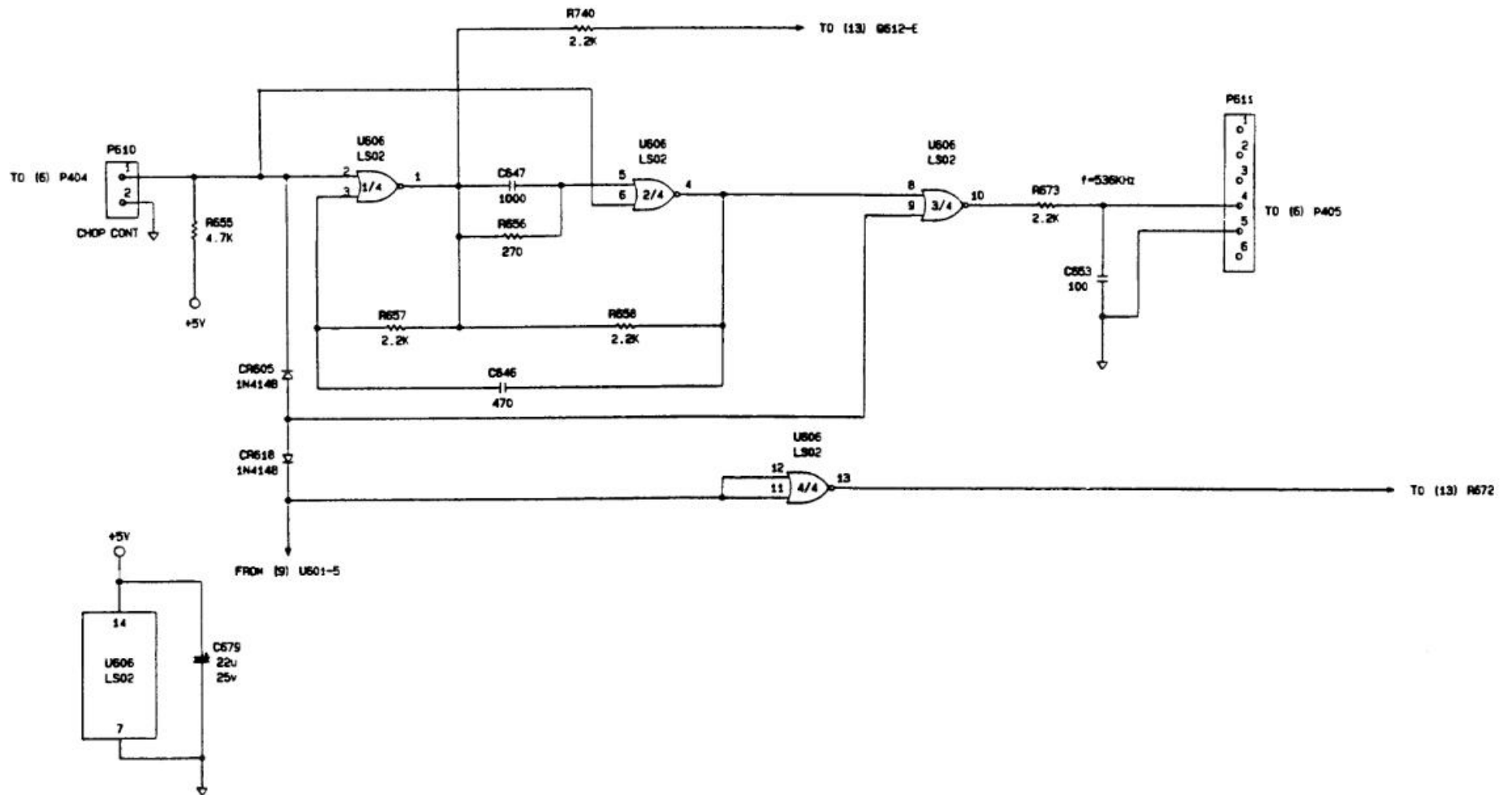
SWEEP GEN. (9)



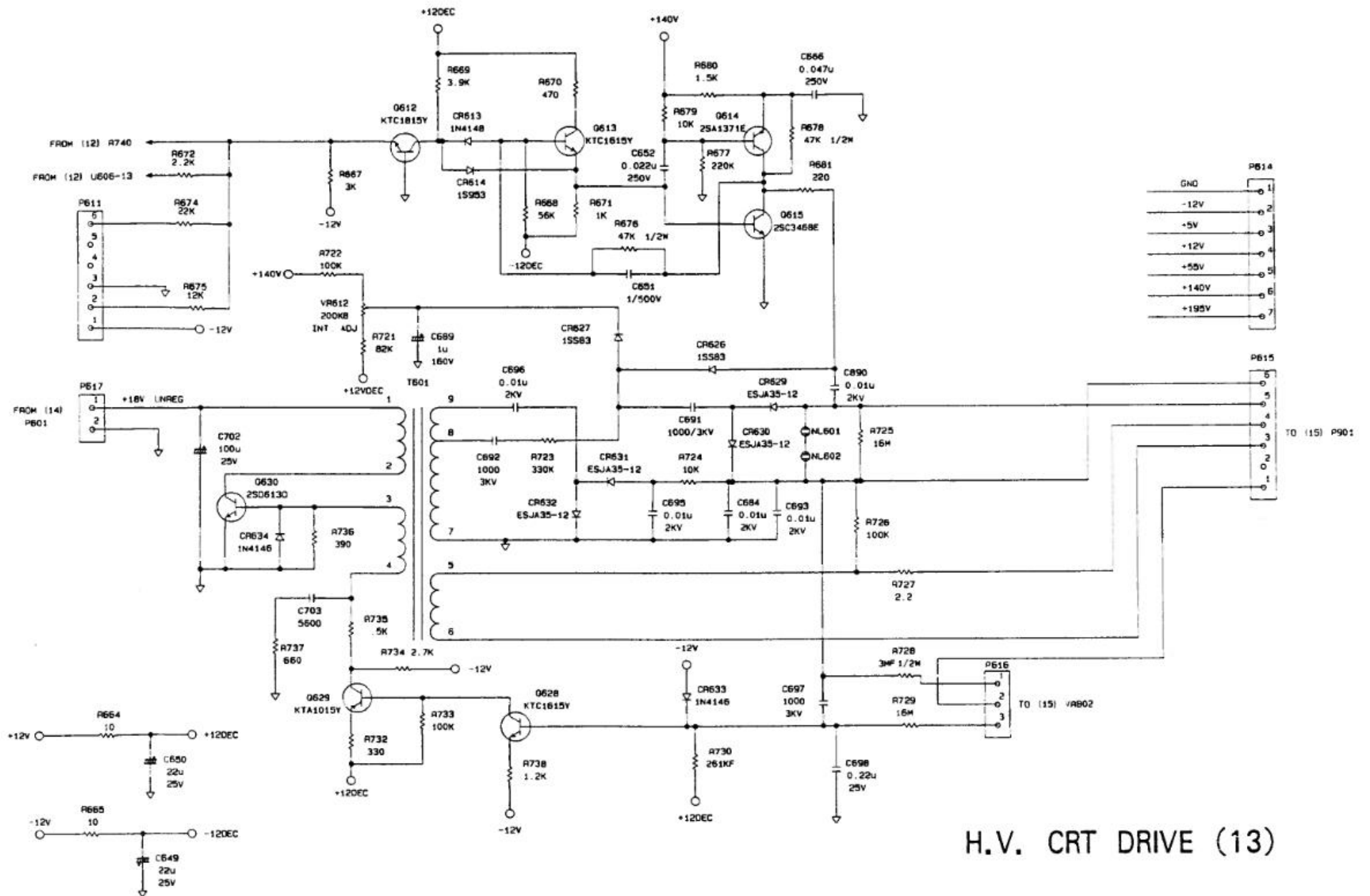
TIMING C.K.T. (10)



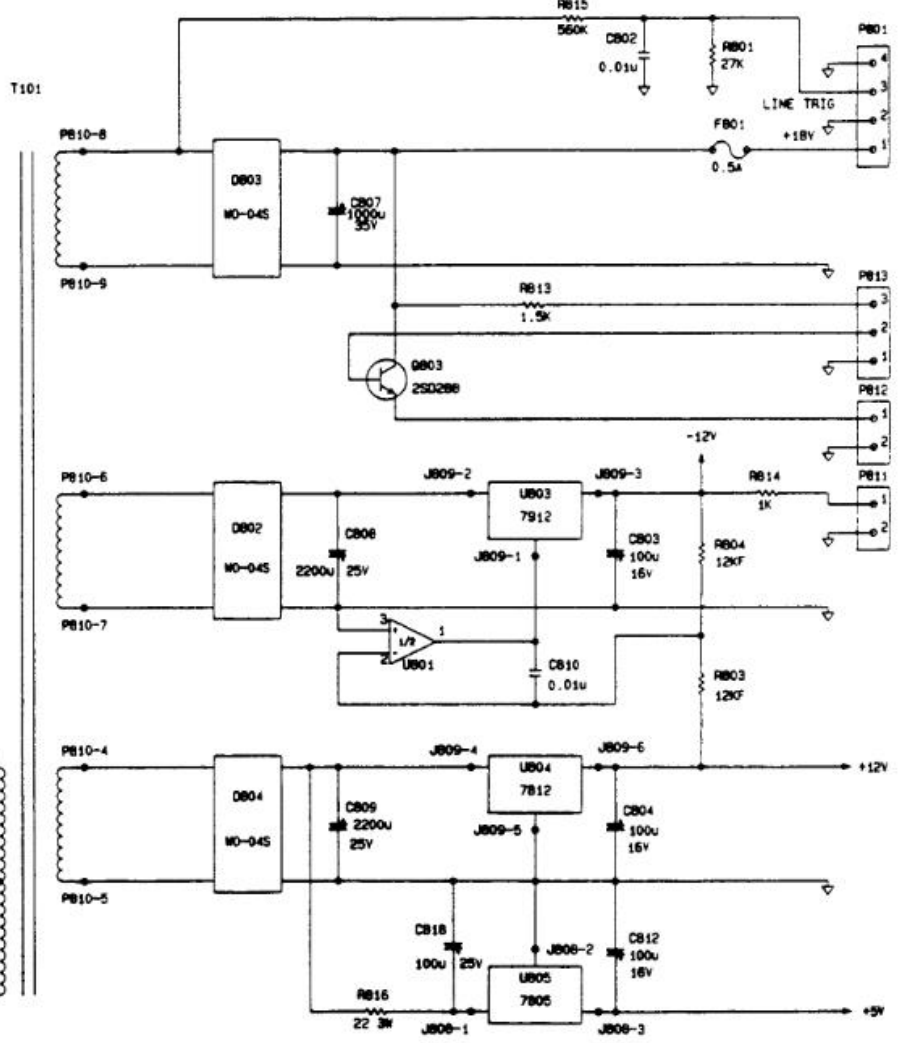
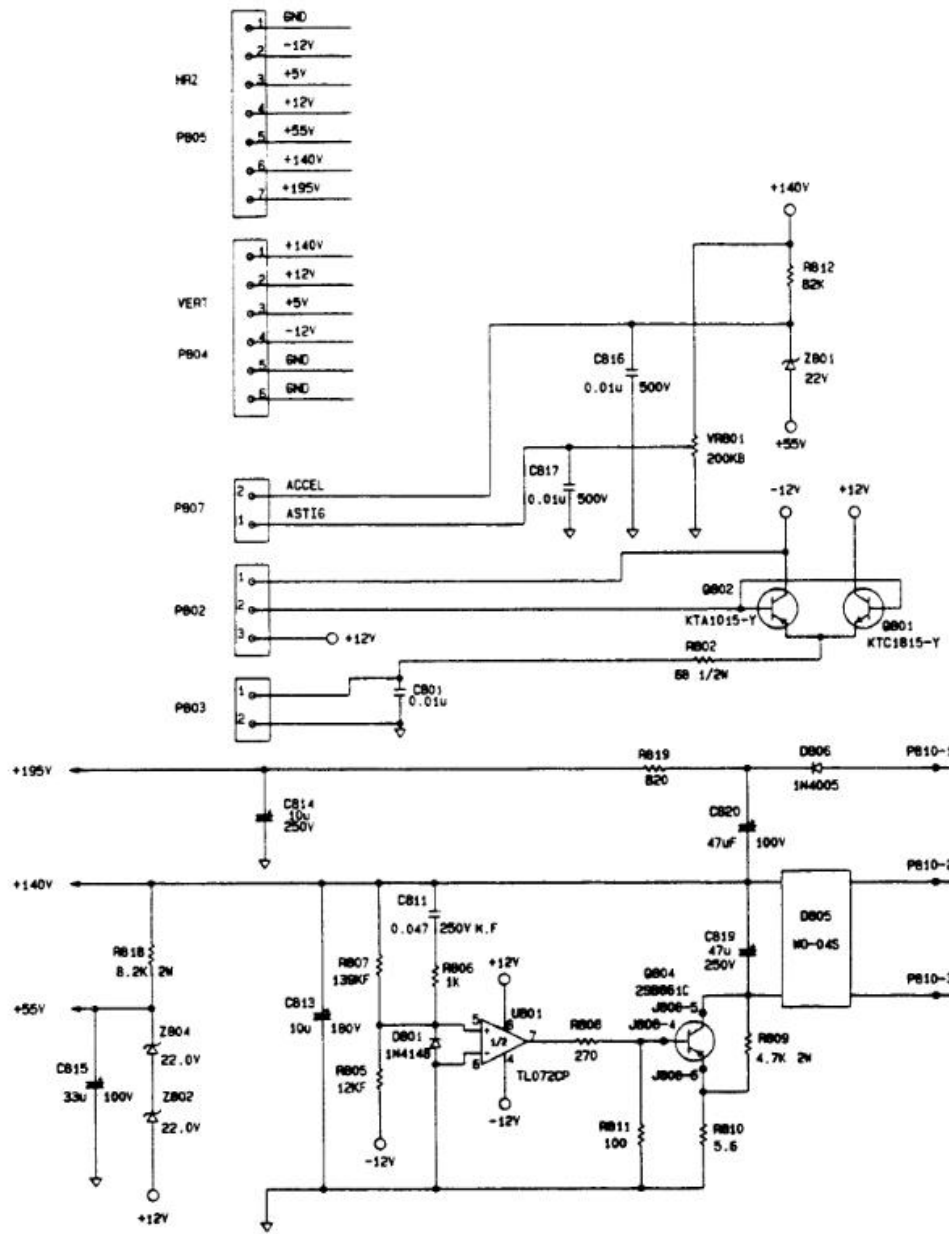
HORIZ. MAIN AMP. (11)



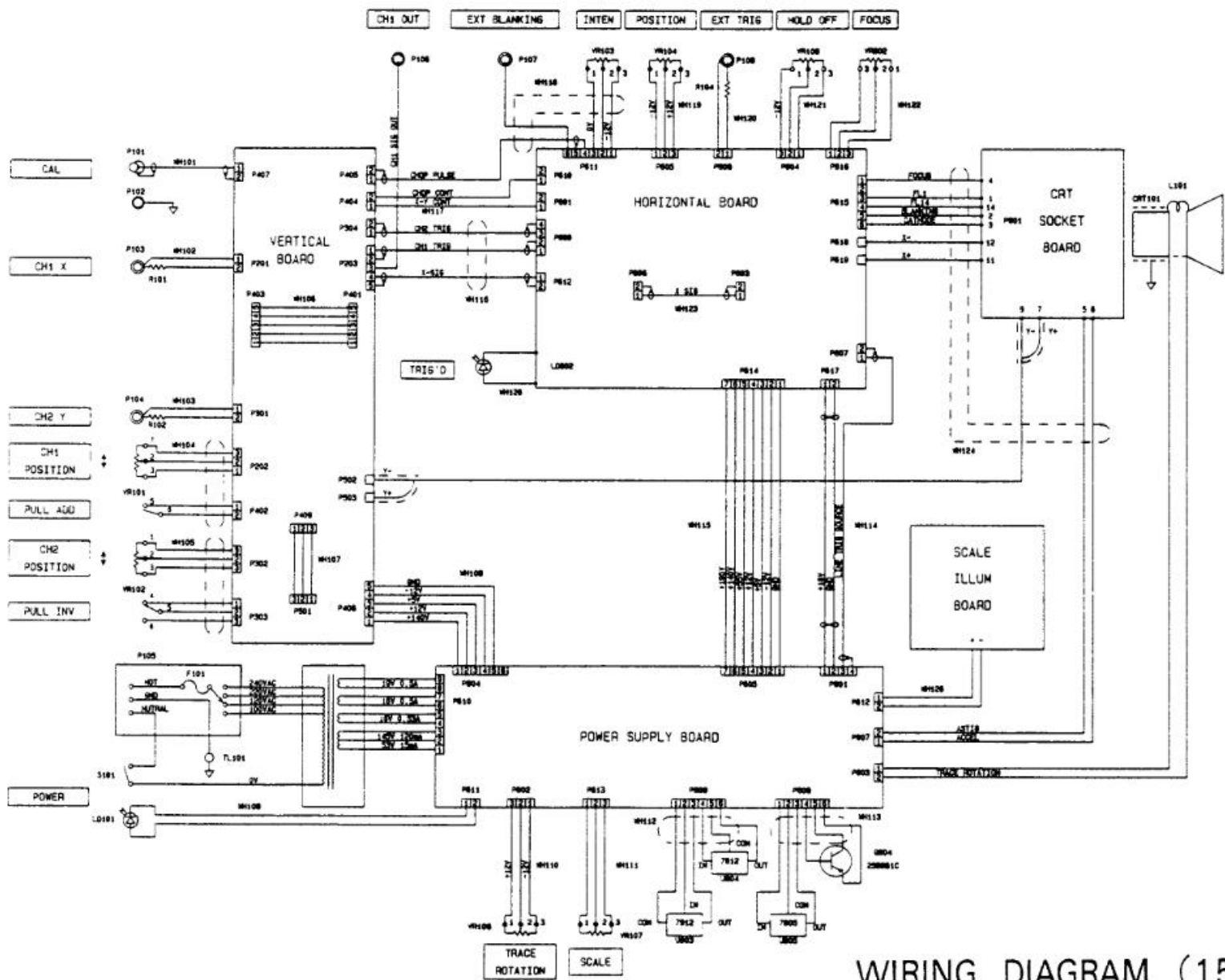
CHOP PLS GEN. (12)



H.V. CRT DRIVE (13)



POWER SUPPLY (14)



WIRING DIAGRAM (15)