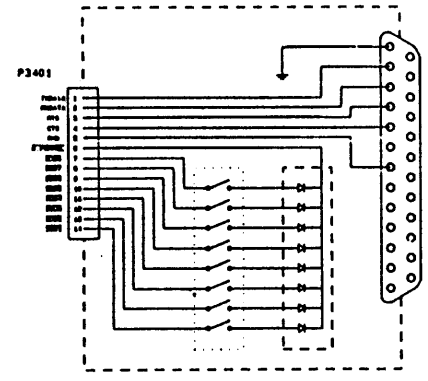
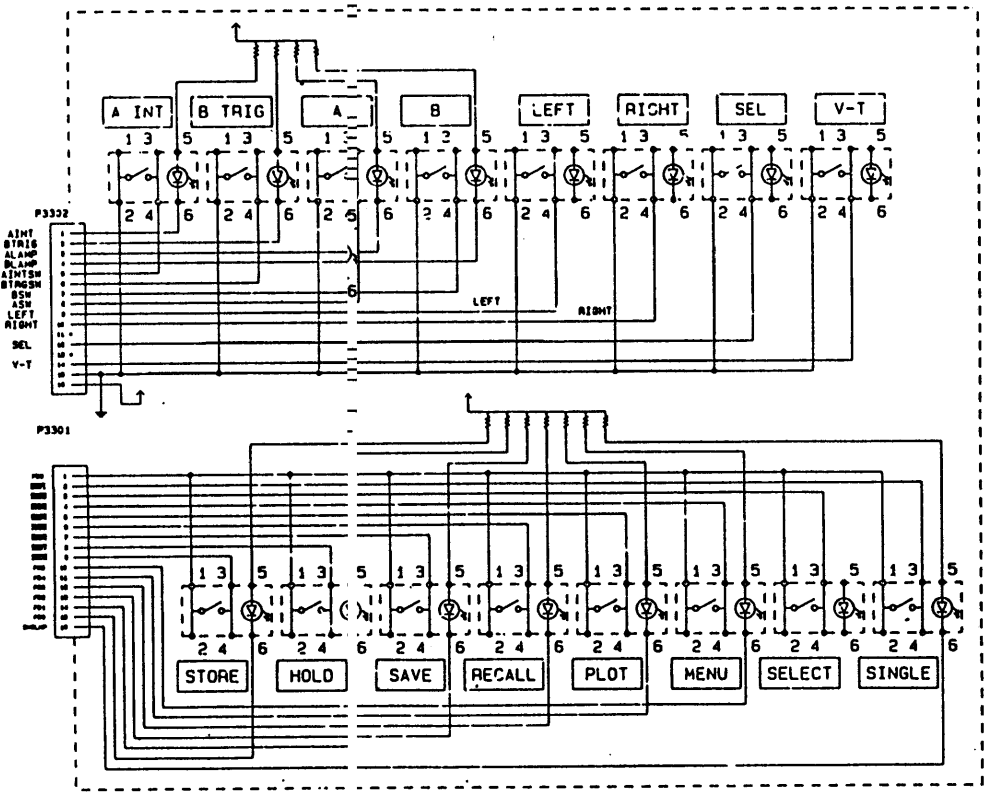
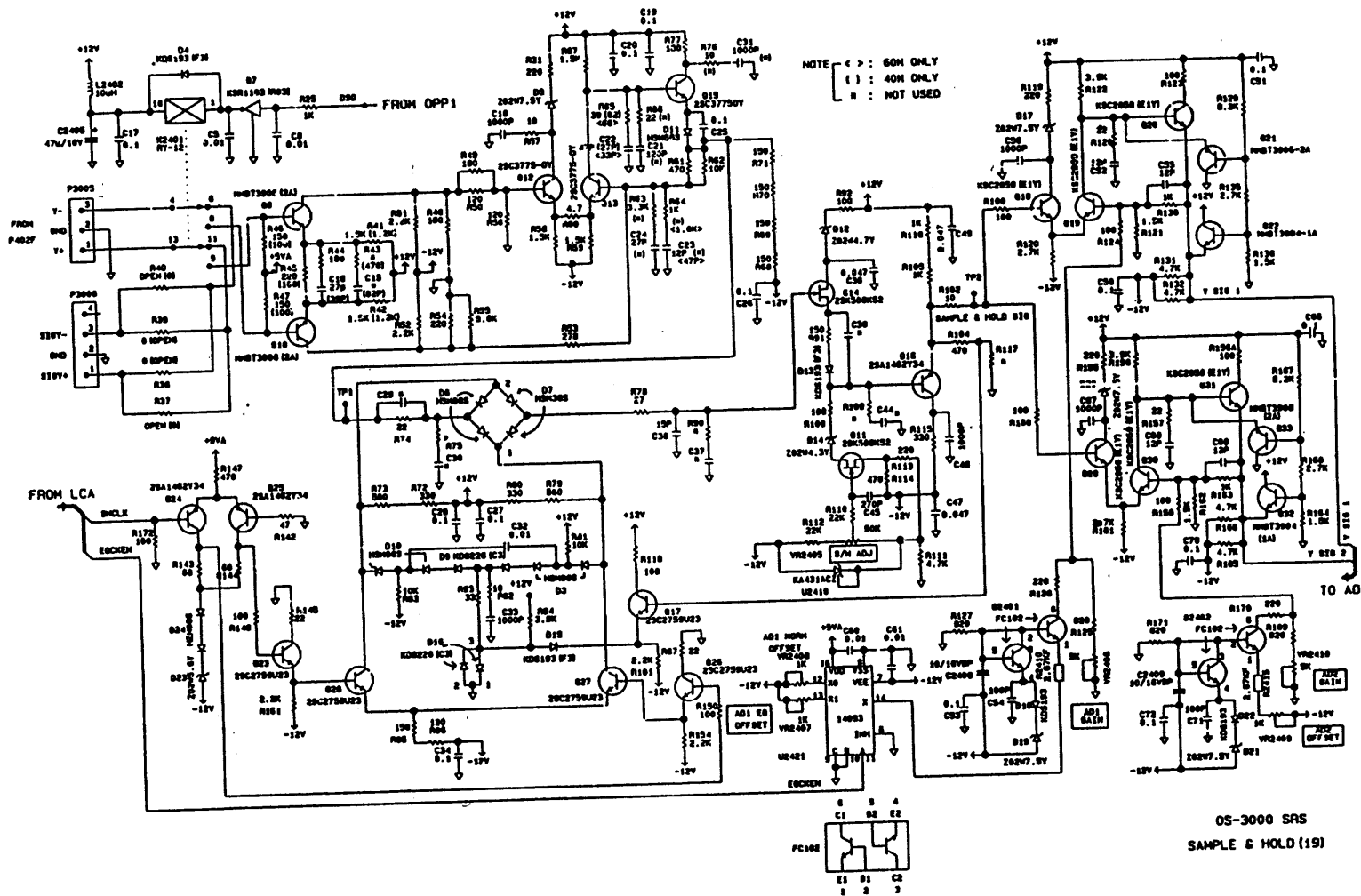


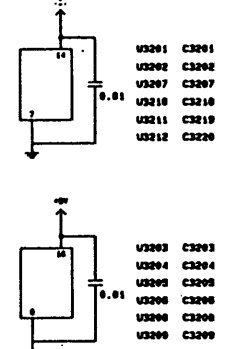
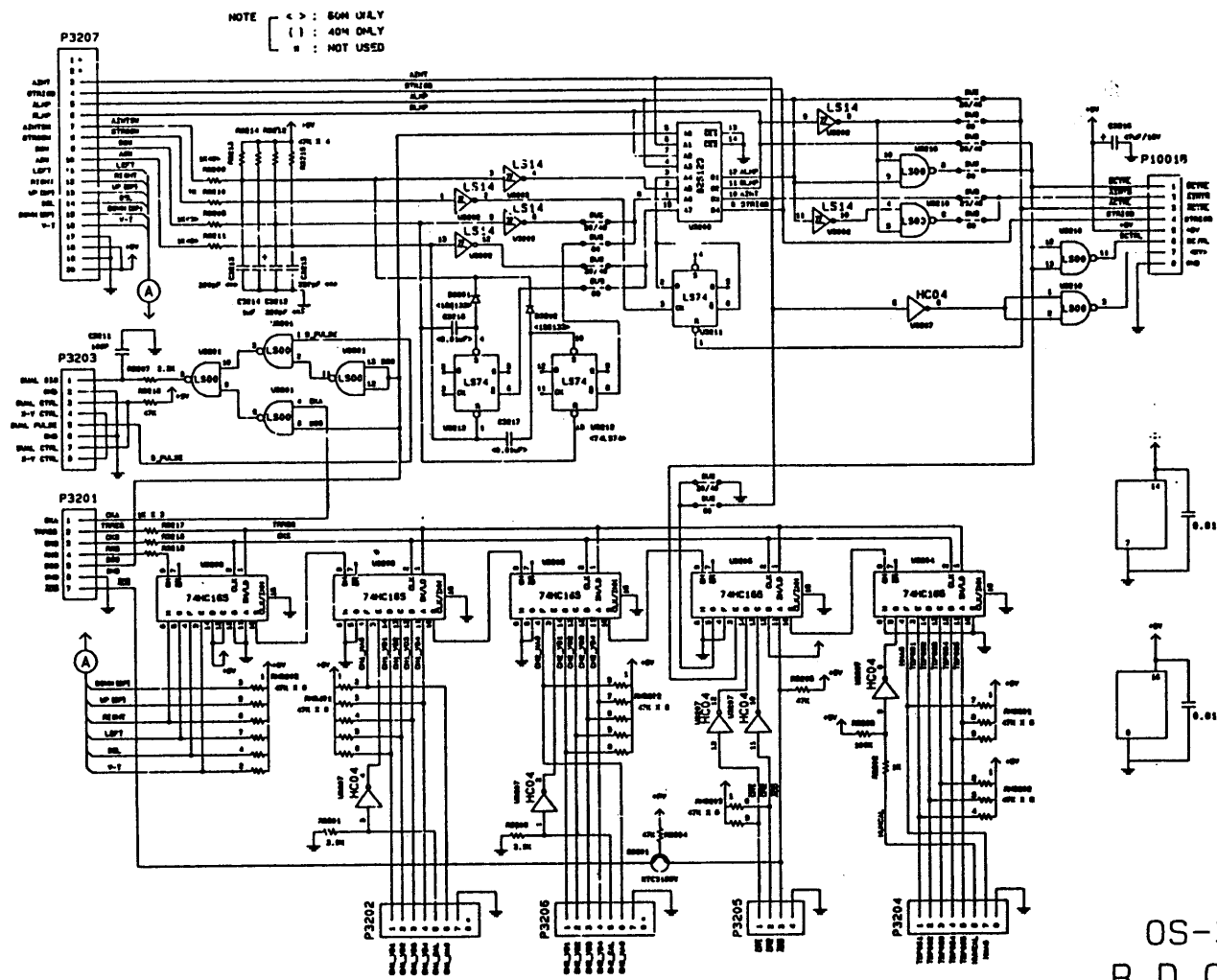
<NOTE> R: NOT USED OS-3060
CAT CTRL. (16)

NOTE
 □ : 50M ONLY
 ⊕ : 40M ONLY
 ■ : NOT USED



OS-3000 SRS
 RS-232C (23)

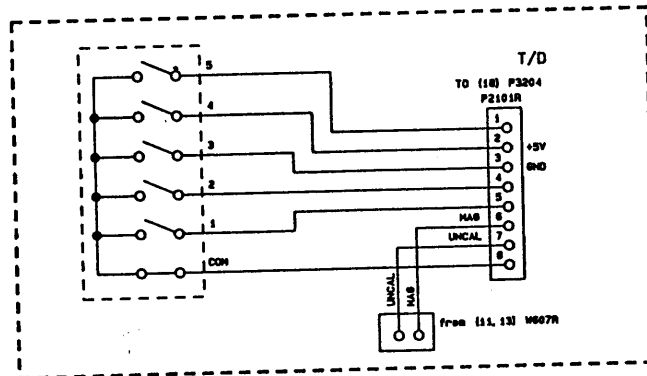
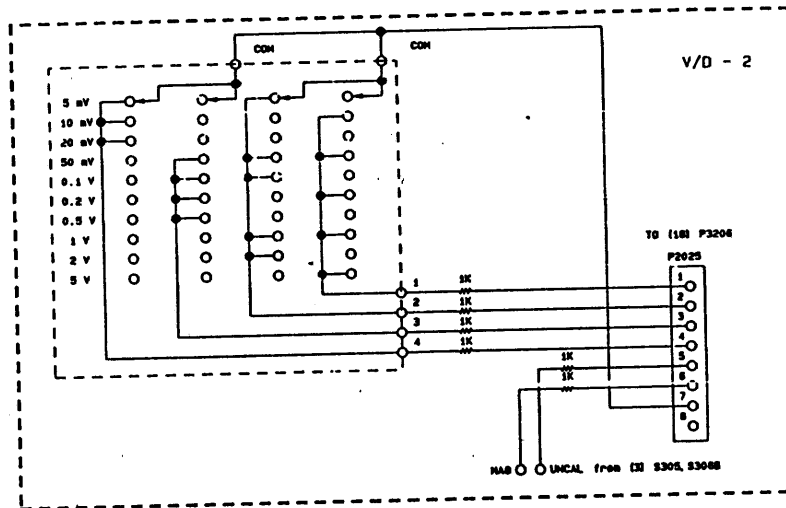
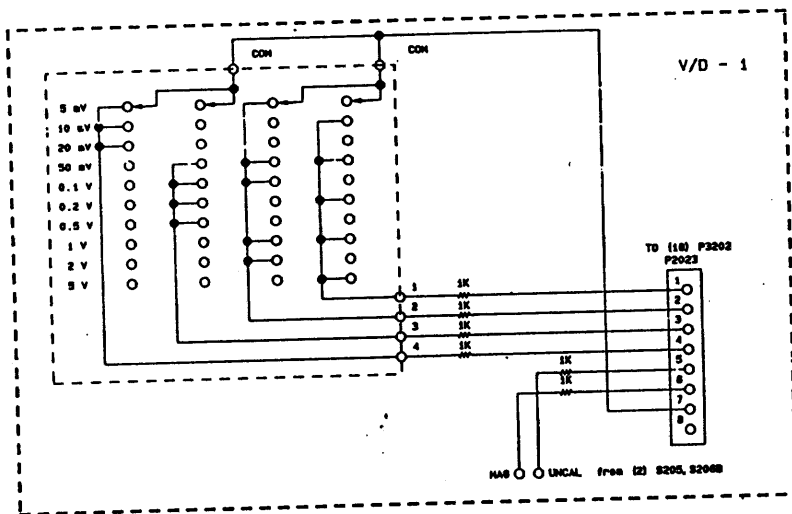




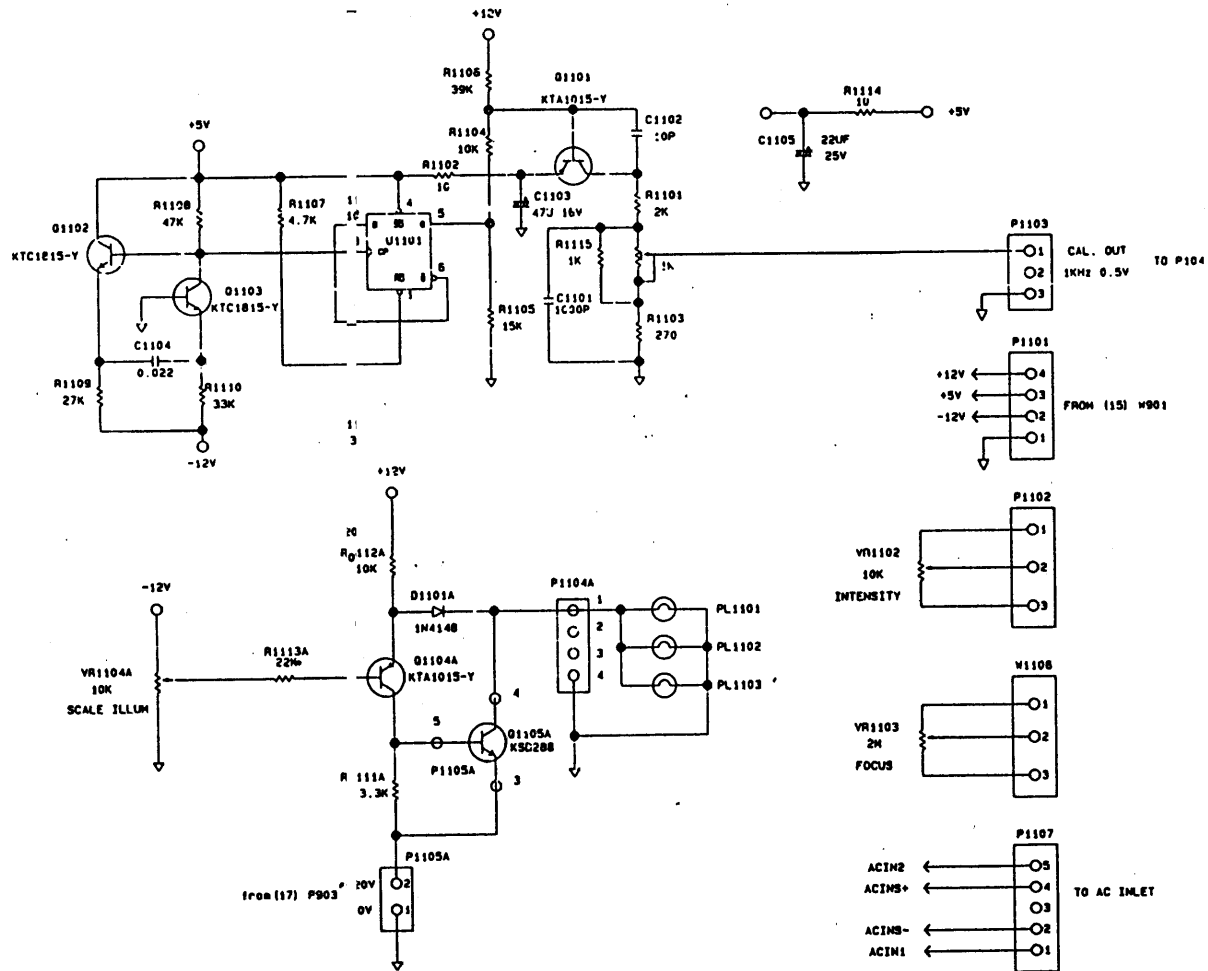
- U3201 C3201
- U3202 C3202
- U3207 C3207
- U3210 C3210
- U3211 C3210
- U3212 C3220

- U3203 C3203
- U3204 C3204
- U3205 C3205
- U3206 C3206
- U3208 C3208
- U3209 C3209

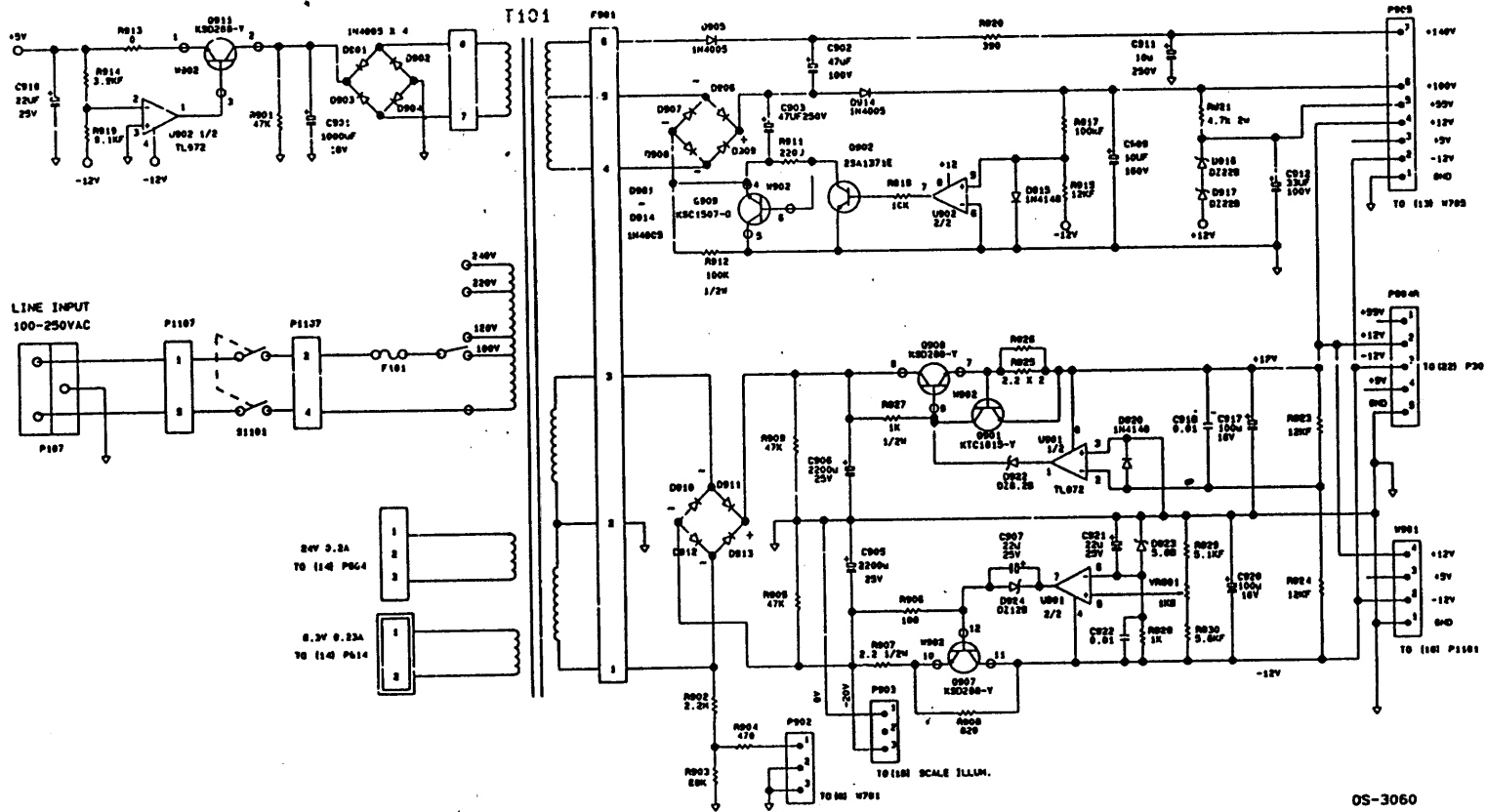
OS-3000 SRS
 R.D CTRL (18)



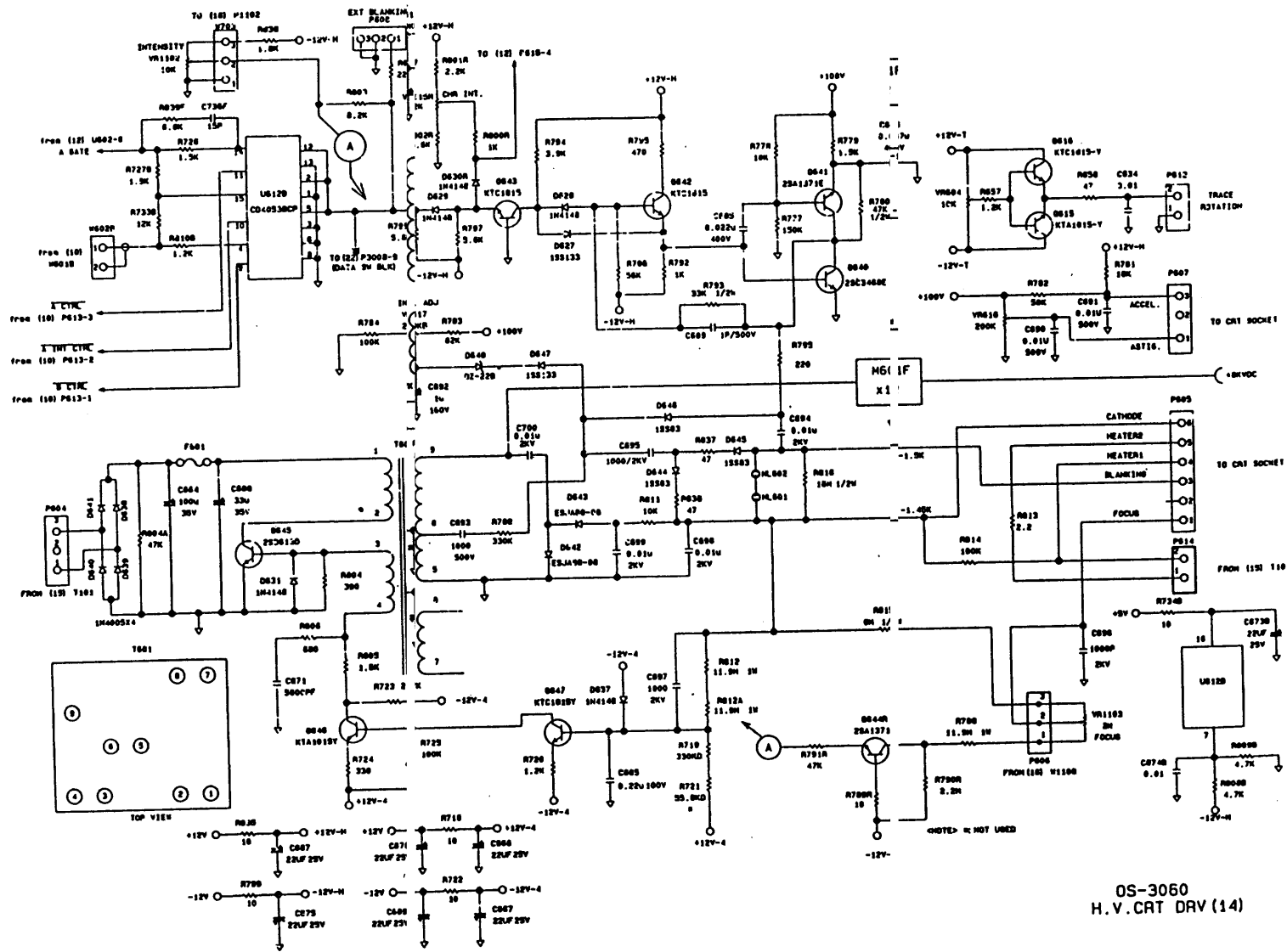
OS-3000 SRS
V. T. SWITCH(17)



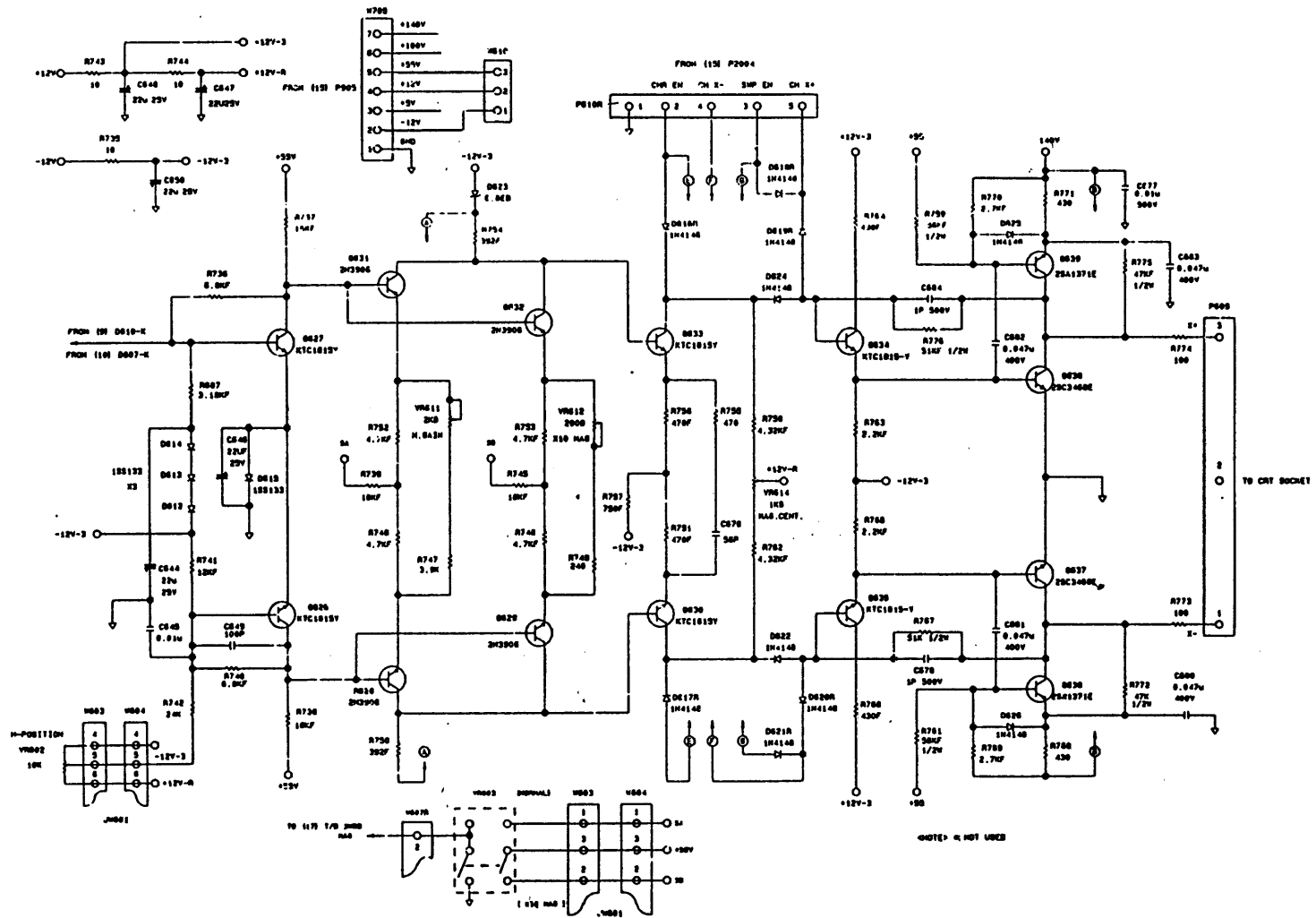
<NOTE> R: NOT USED OS-3060
 CRT CTRL. (16)



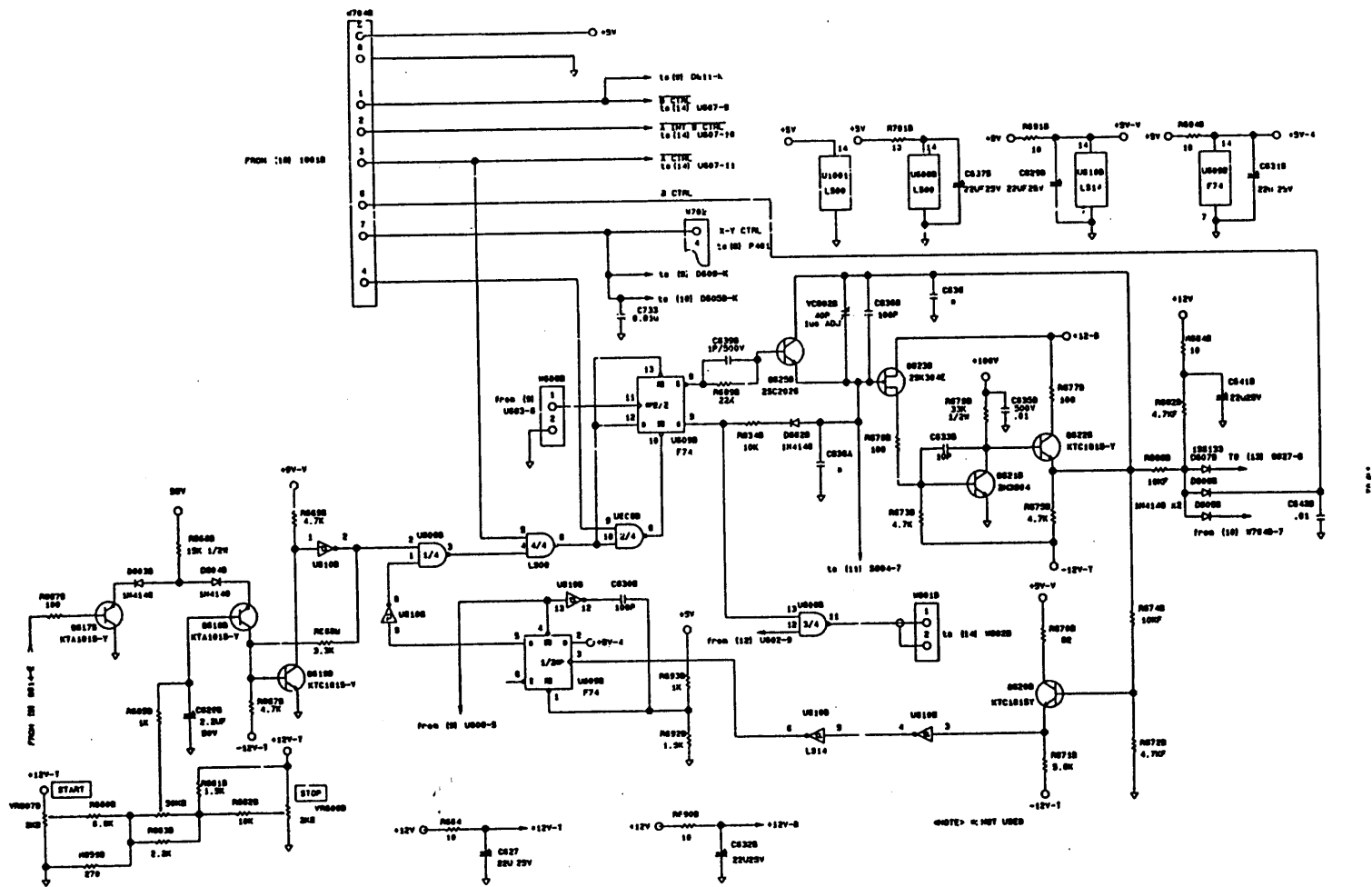
(NOTE) R NOT USED



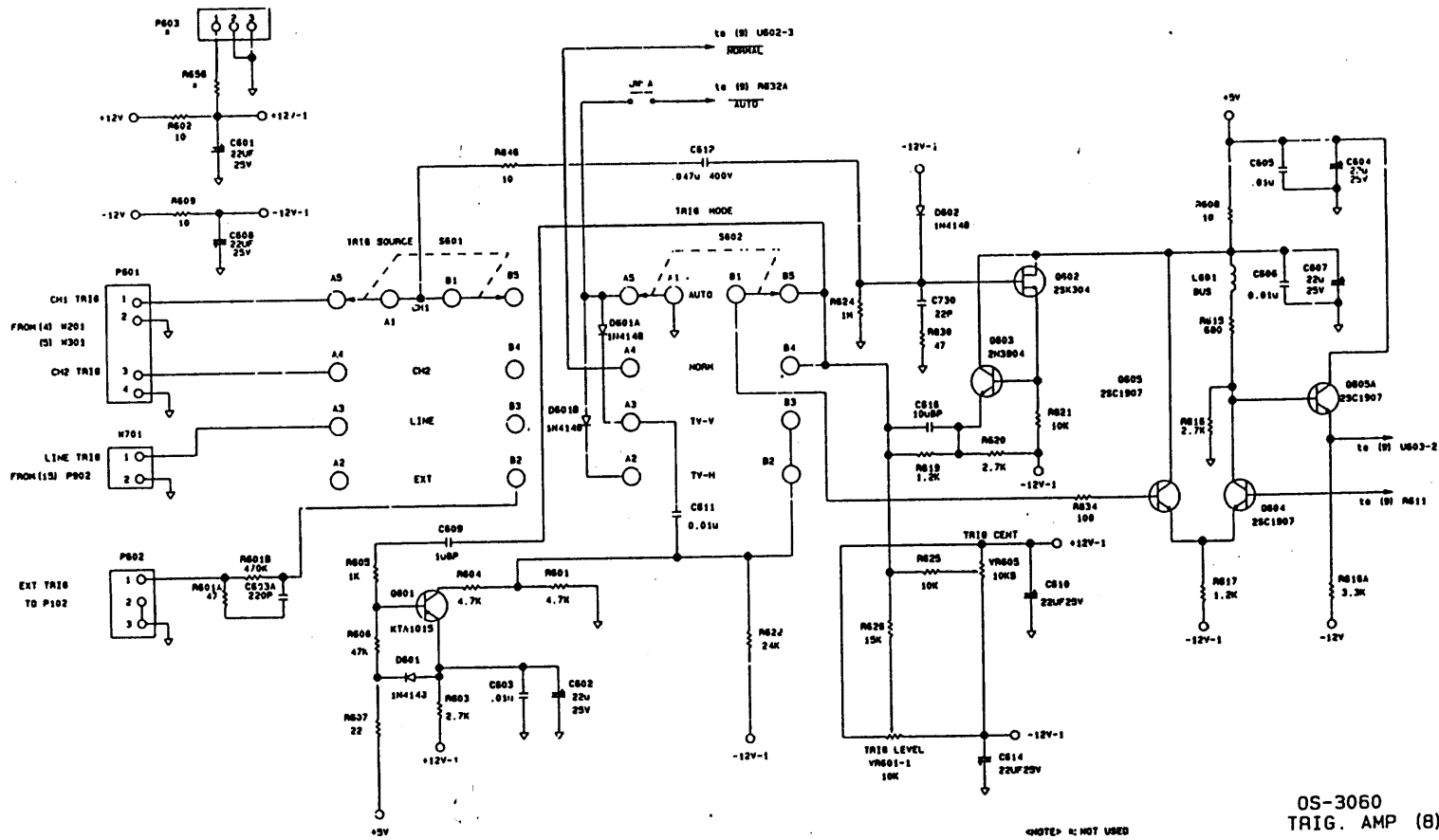
OS-3060
H.V. CRT DRV (14)

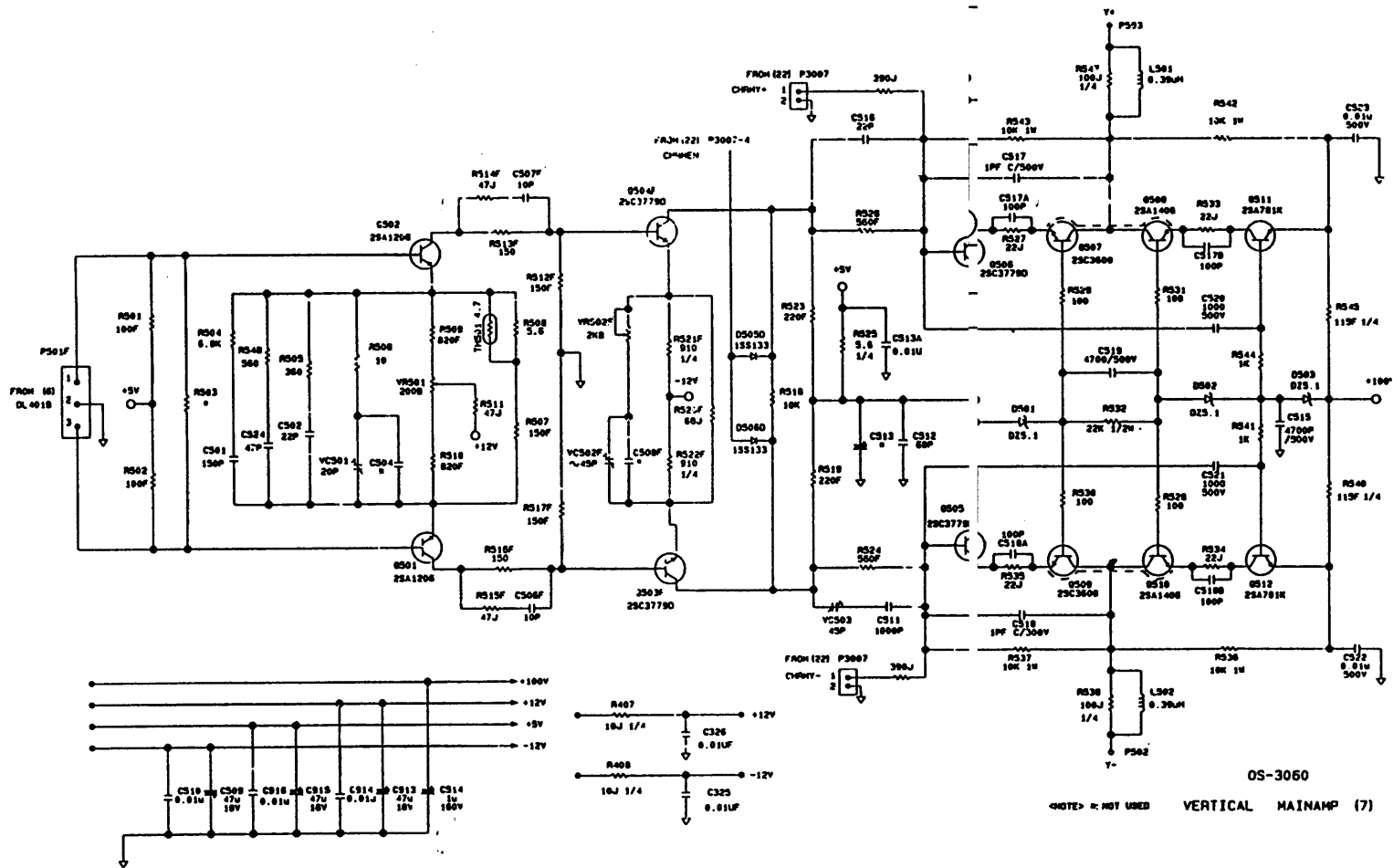


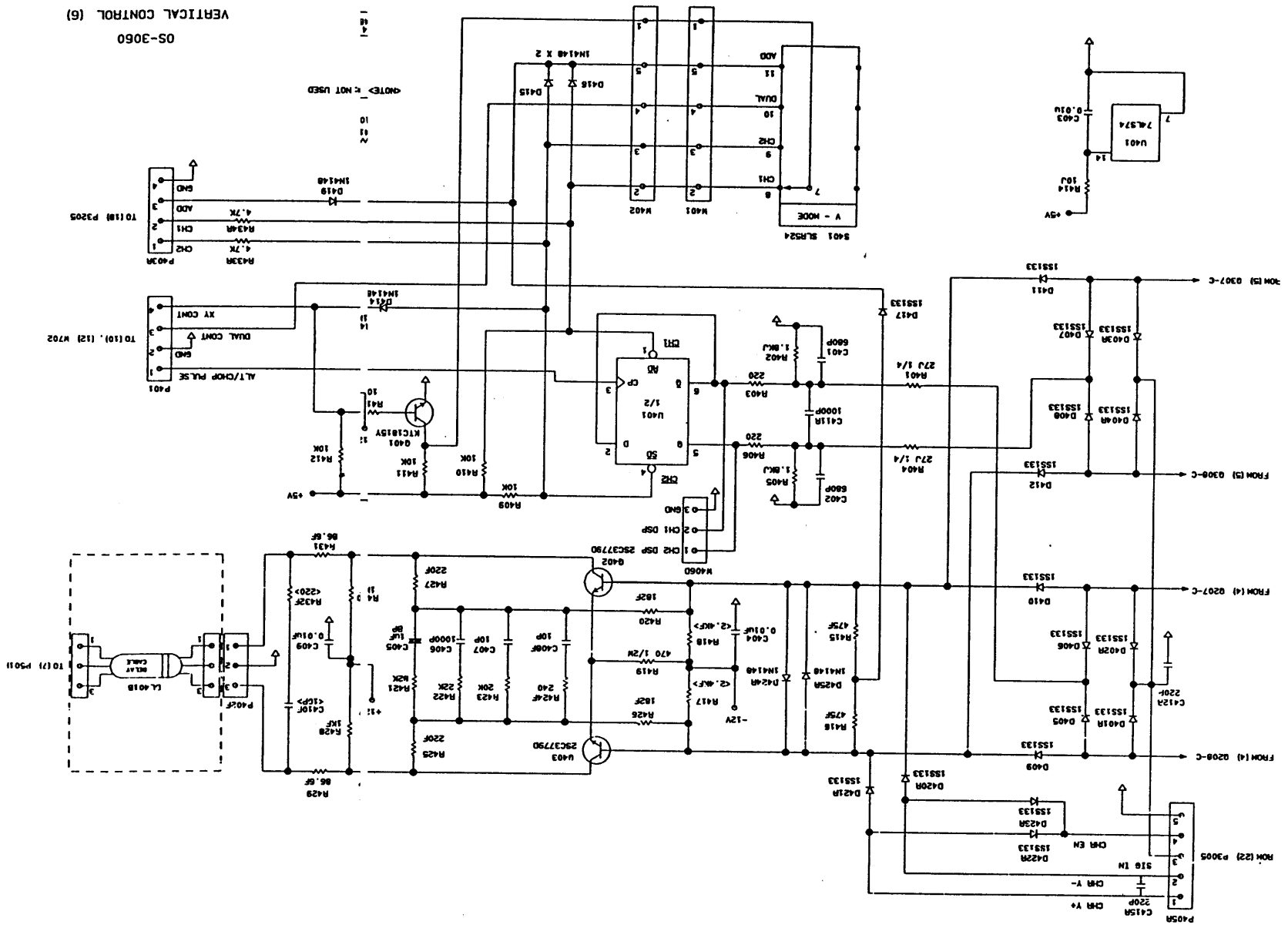
OS-3060
HORIZONTAL MAIN AMP (13)



OS-3060
B SWEEP GEN. (10)

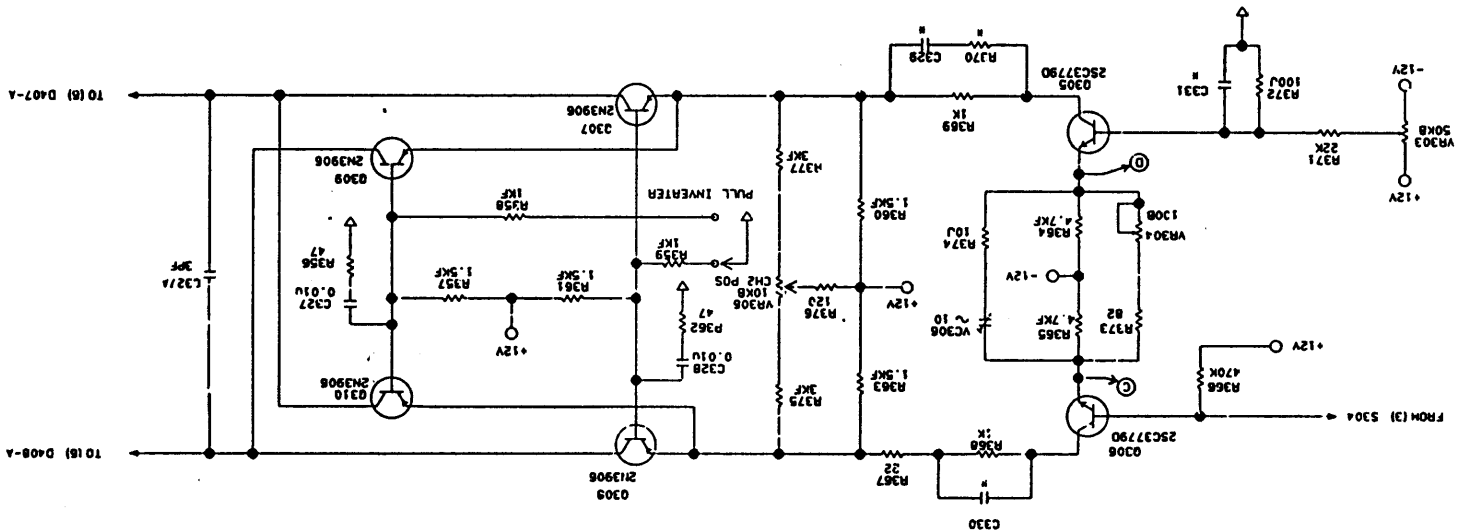






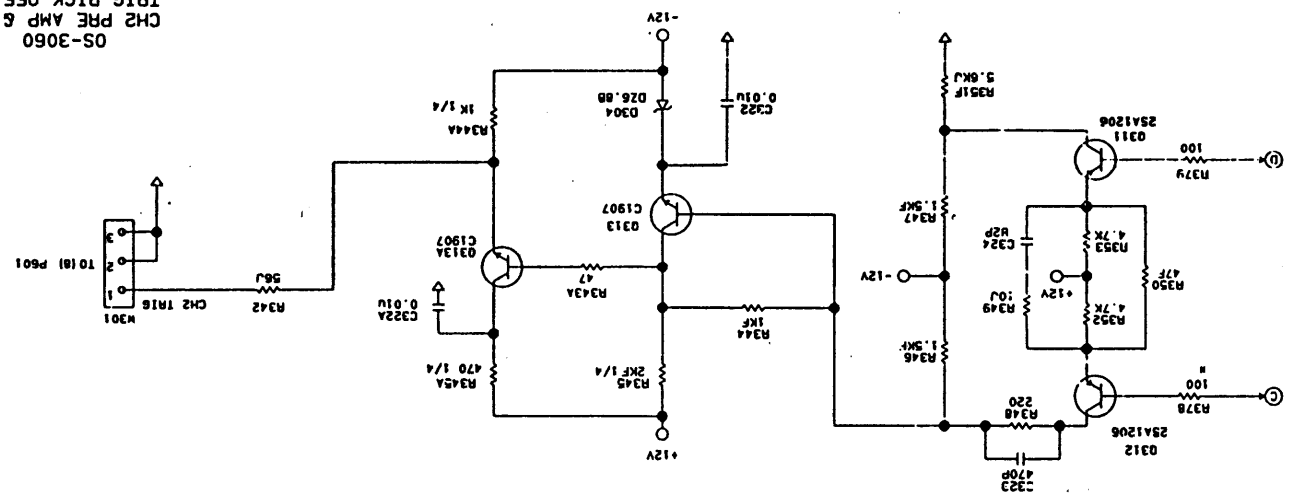
OS-3060
VERTICAL CONTROL (6)

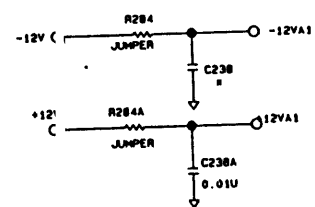
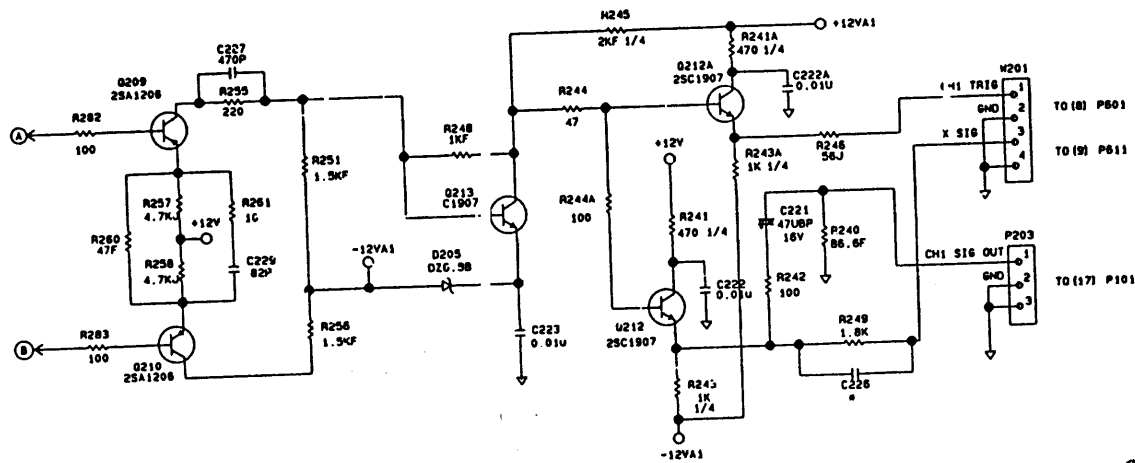
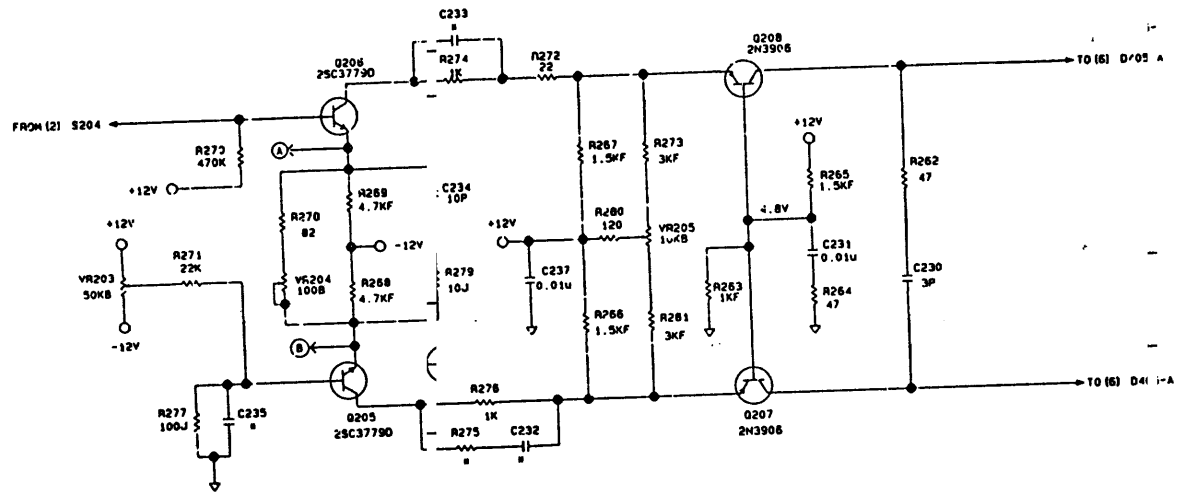
NOTE: NOT USED



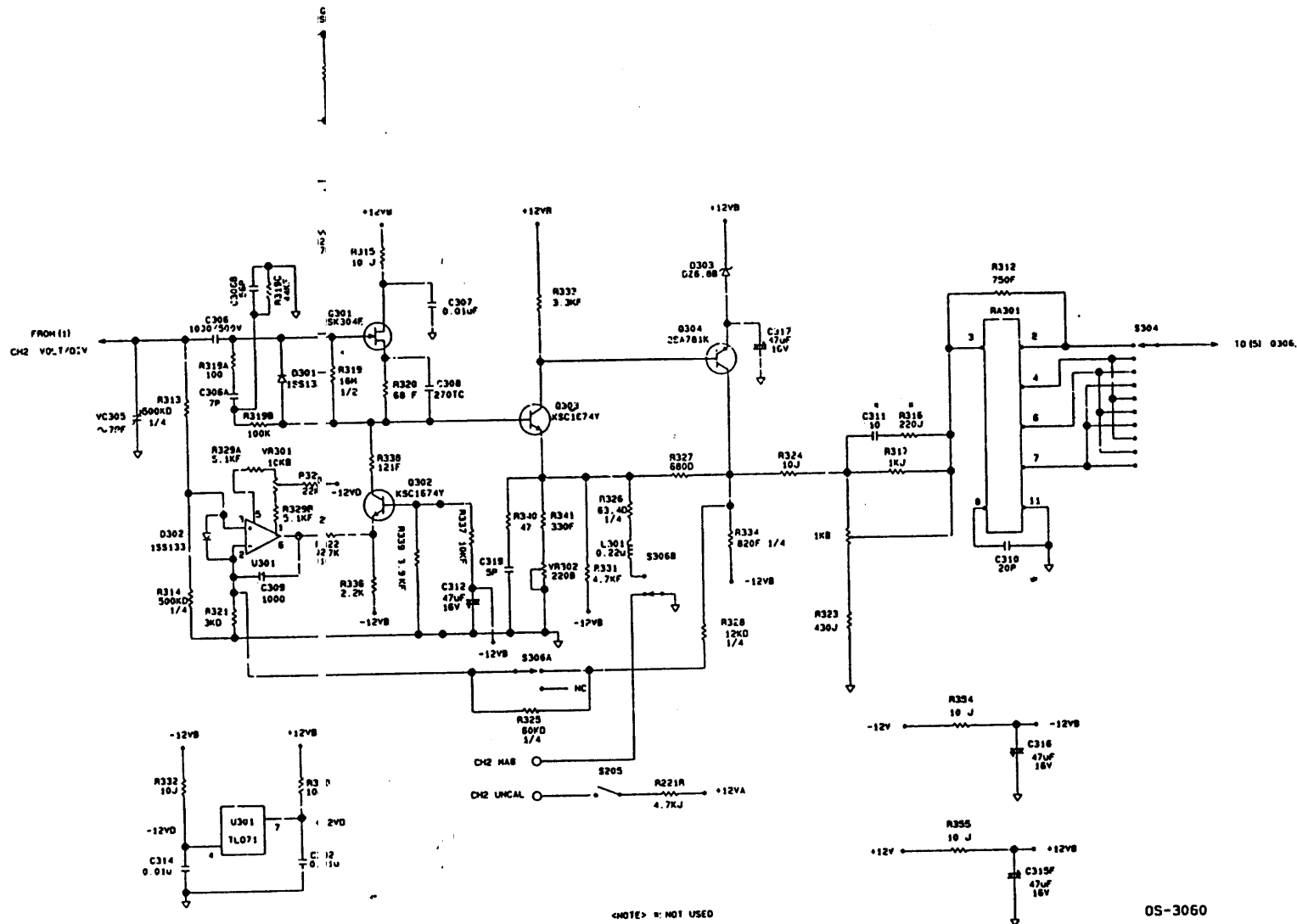
OS-3060
CH2 PRE AMP &
TRIG PICK OFF (5)

<NOTE> R NOT USED

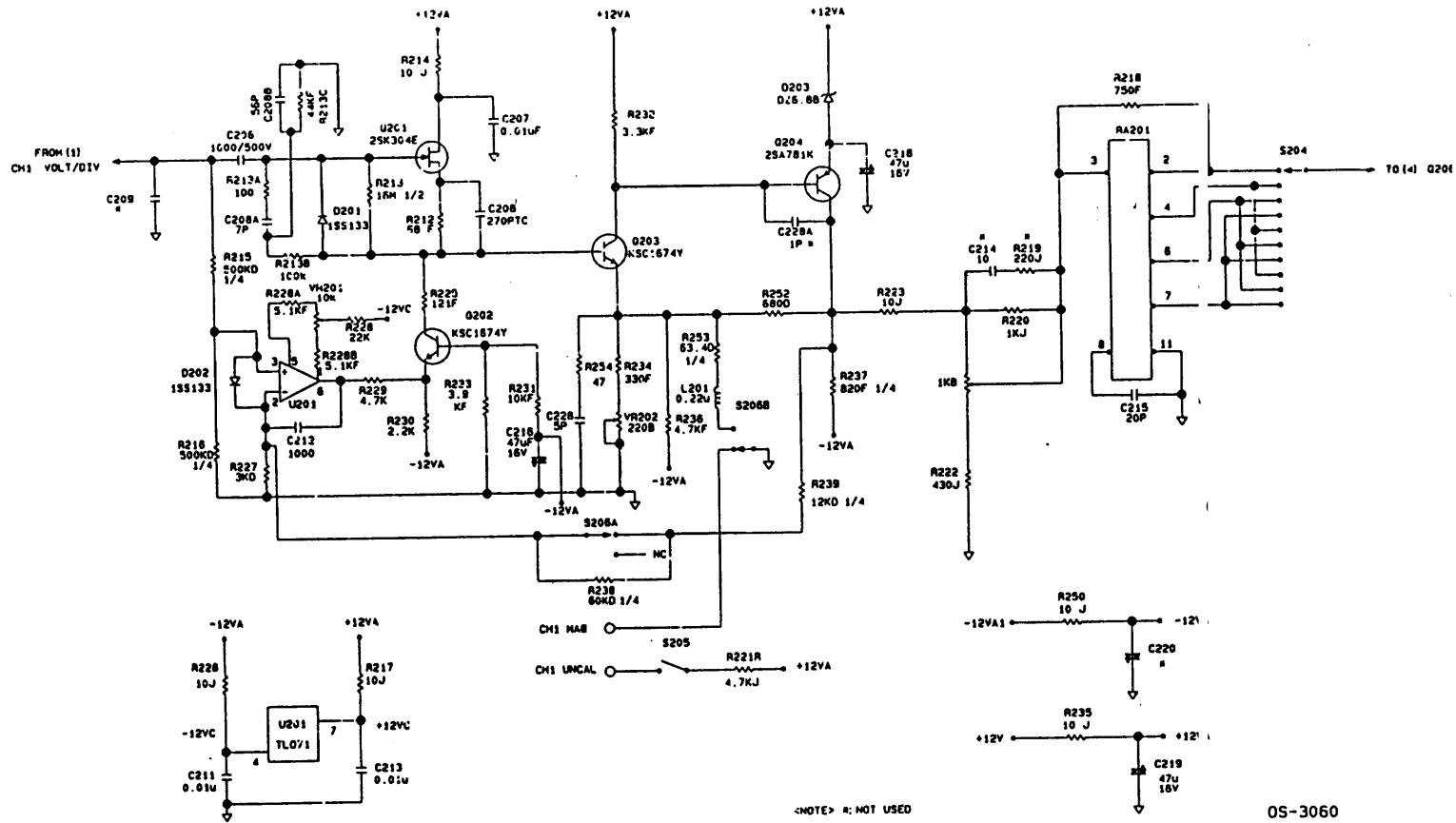




OS-3060
 CH1 PRE AMP &
 TRIG PICK OFF (4)

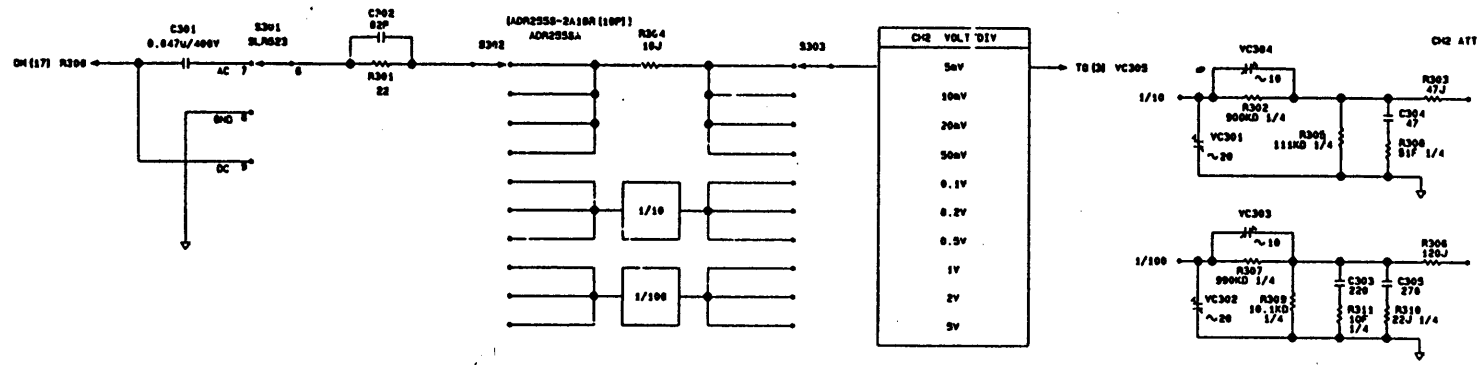
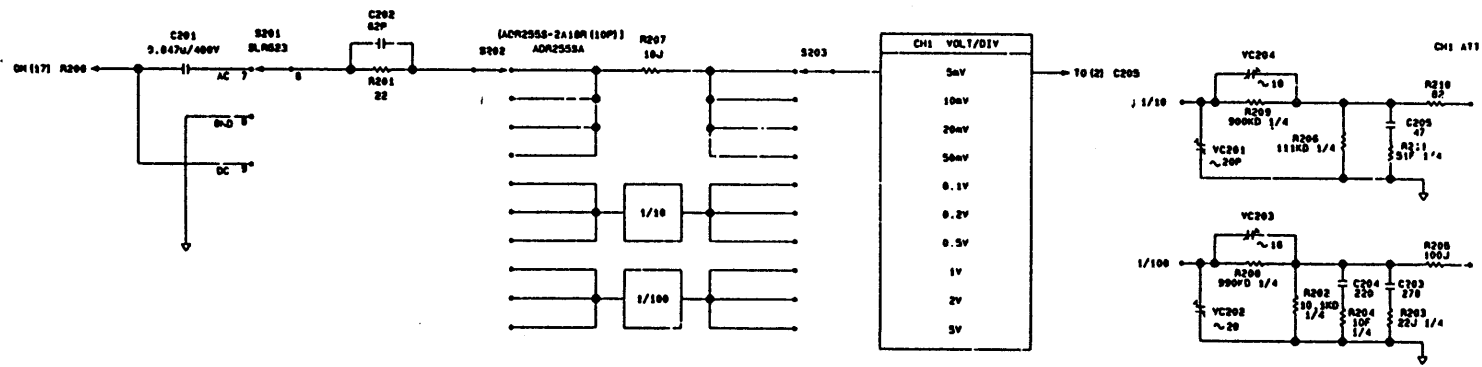


05-3060
CH2 INPUT AMP (3)



<NOTE> #: NOT USED

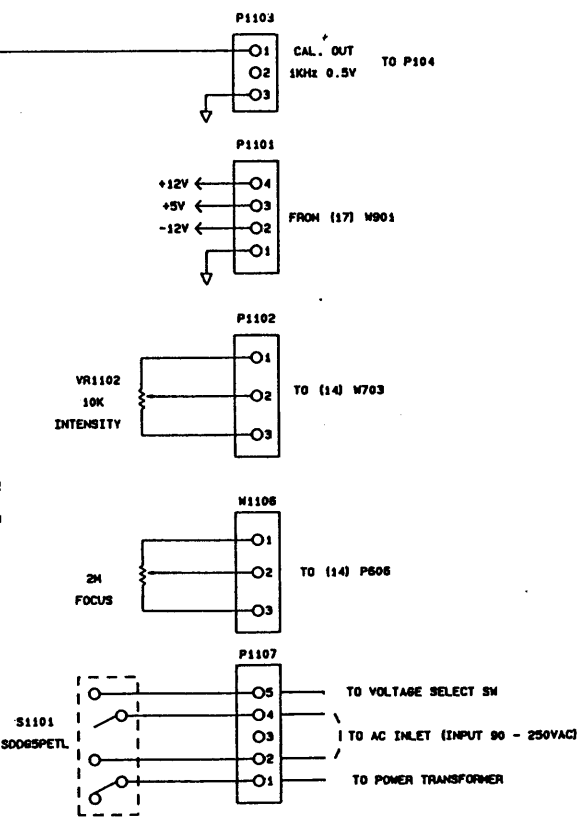
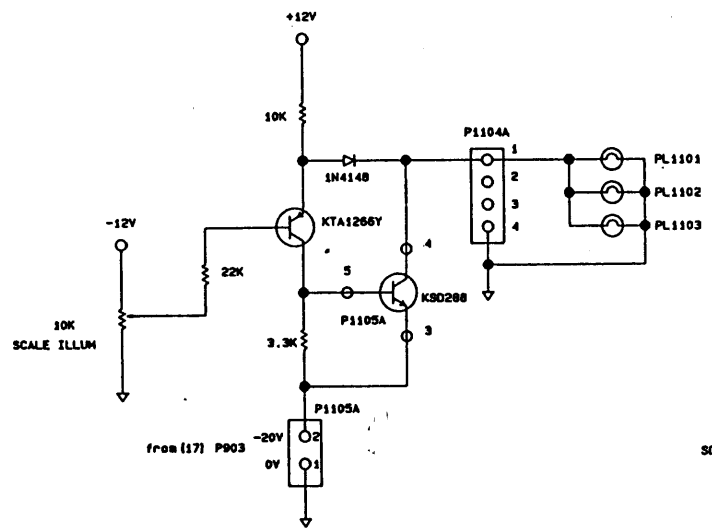
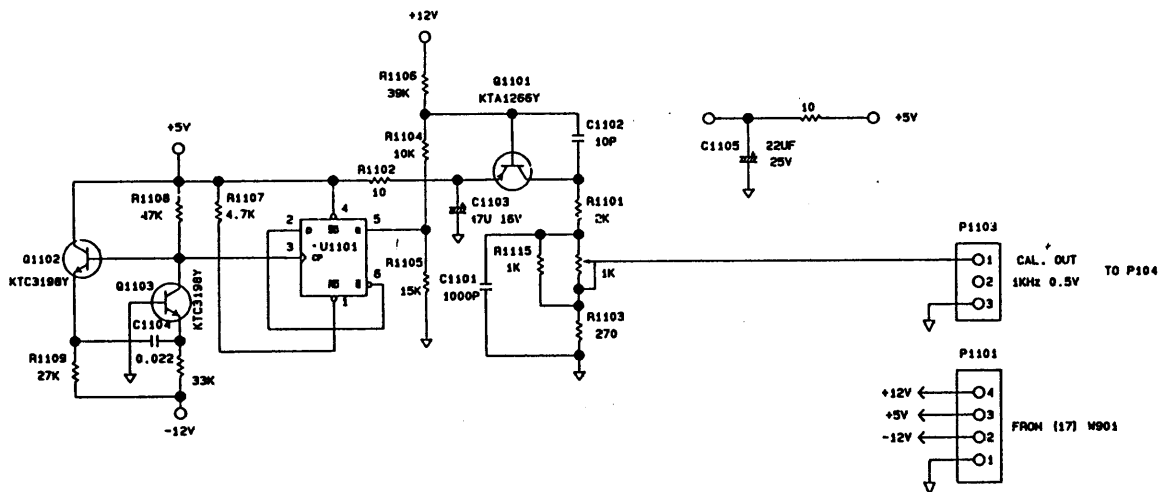
OS-3060
CH1 INPUT AMP (2)



NOTE: R: NOT USED

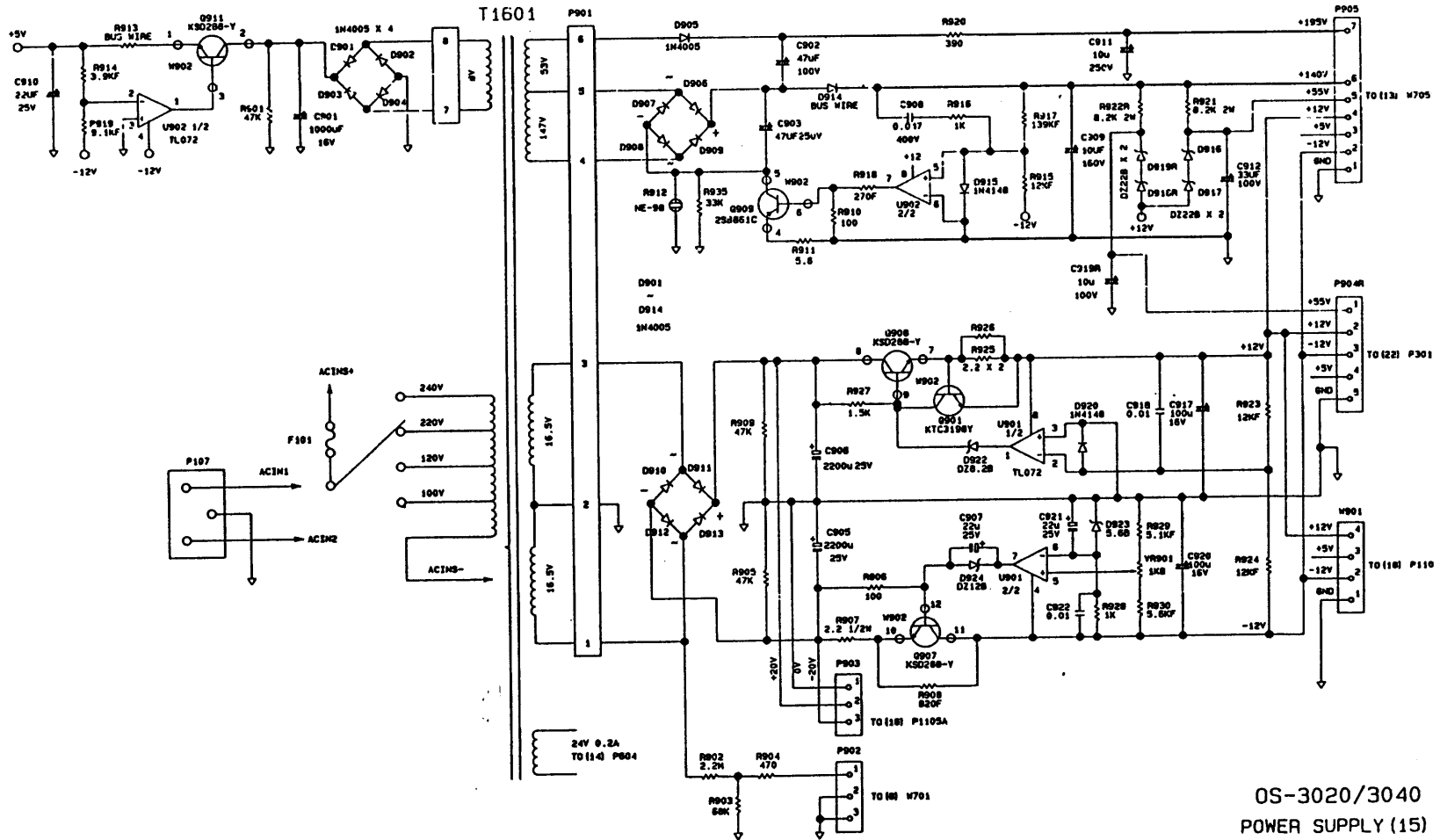
OS-3060
ATTENUATOR (1)

NOTE □ #: NOT USED
 ⇨: 40M ONLY

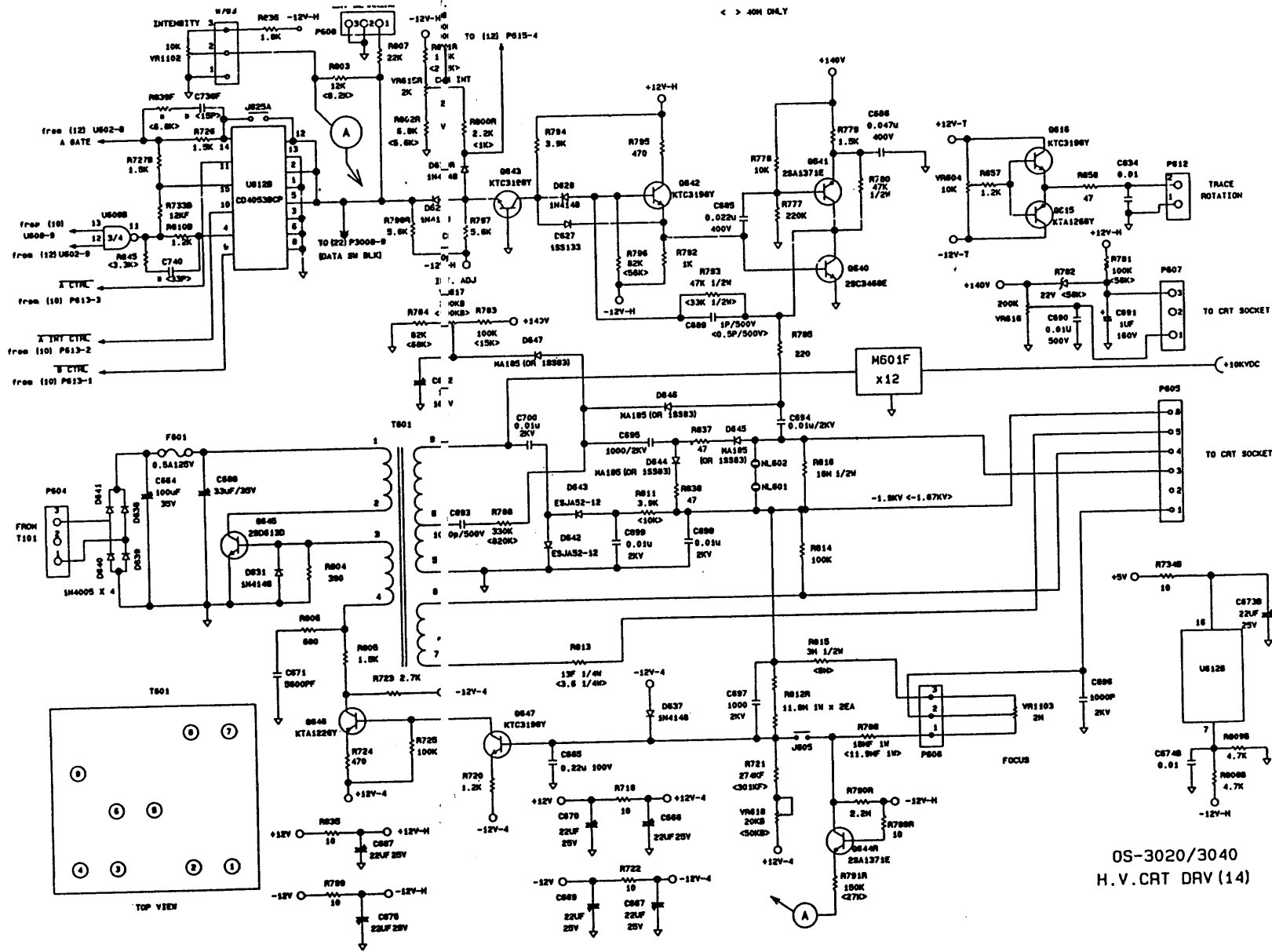


OS-3020/3040
 CRT CTRL. (16)

NOTE □ R: NOT USED
◁: 40W ONLY

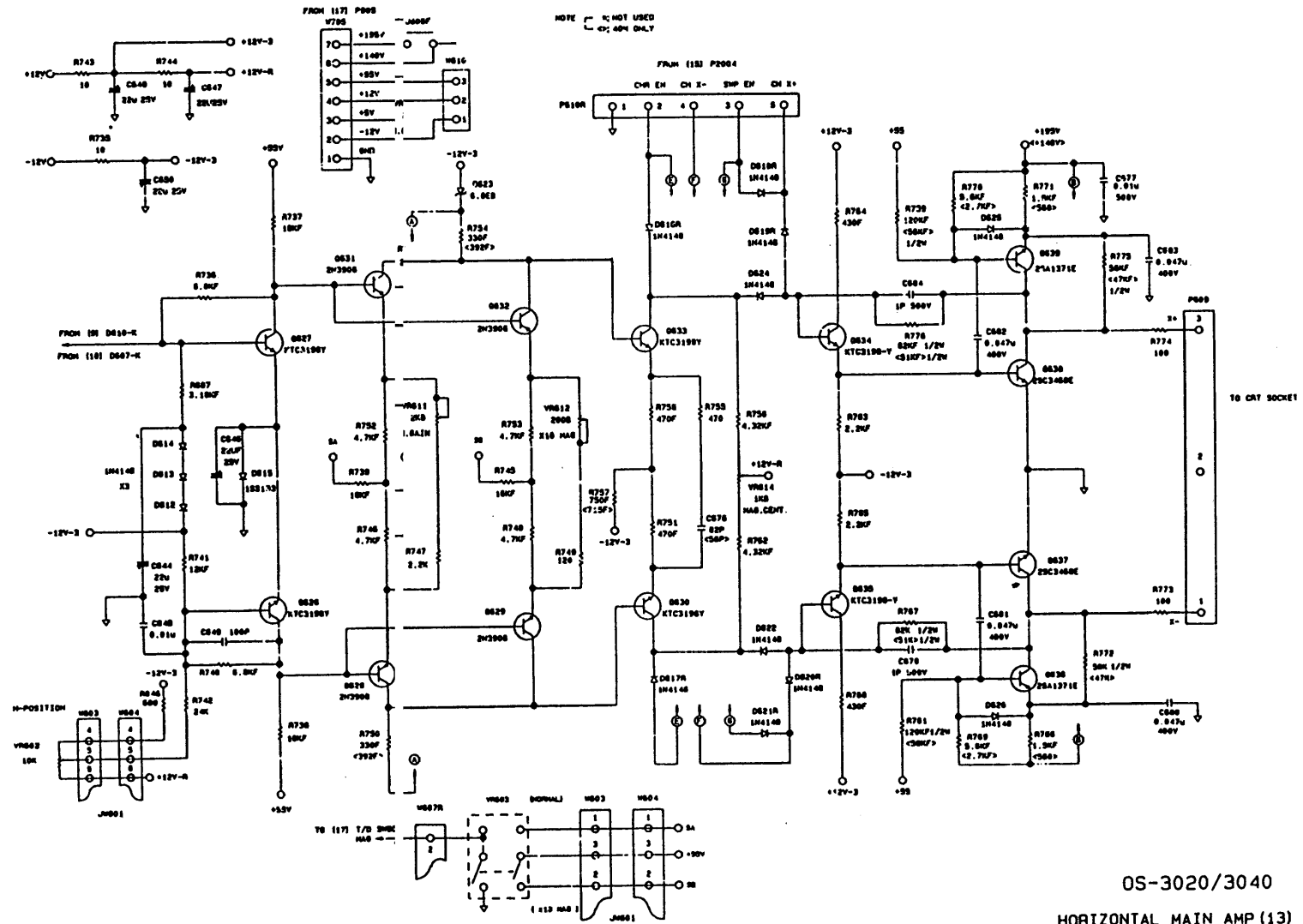


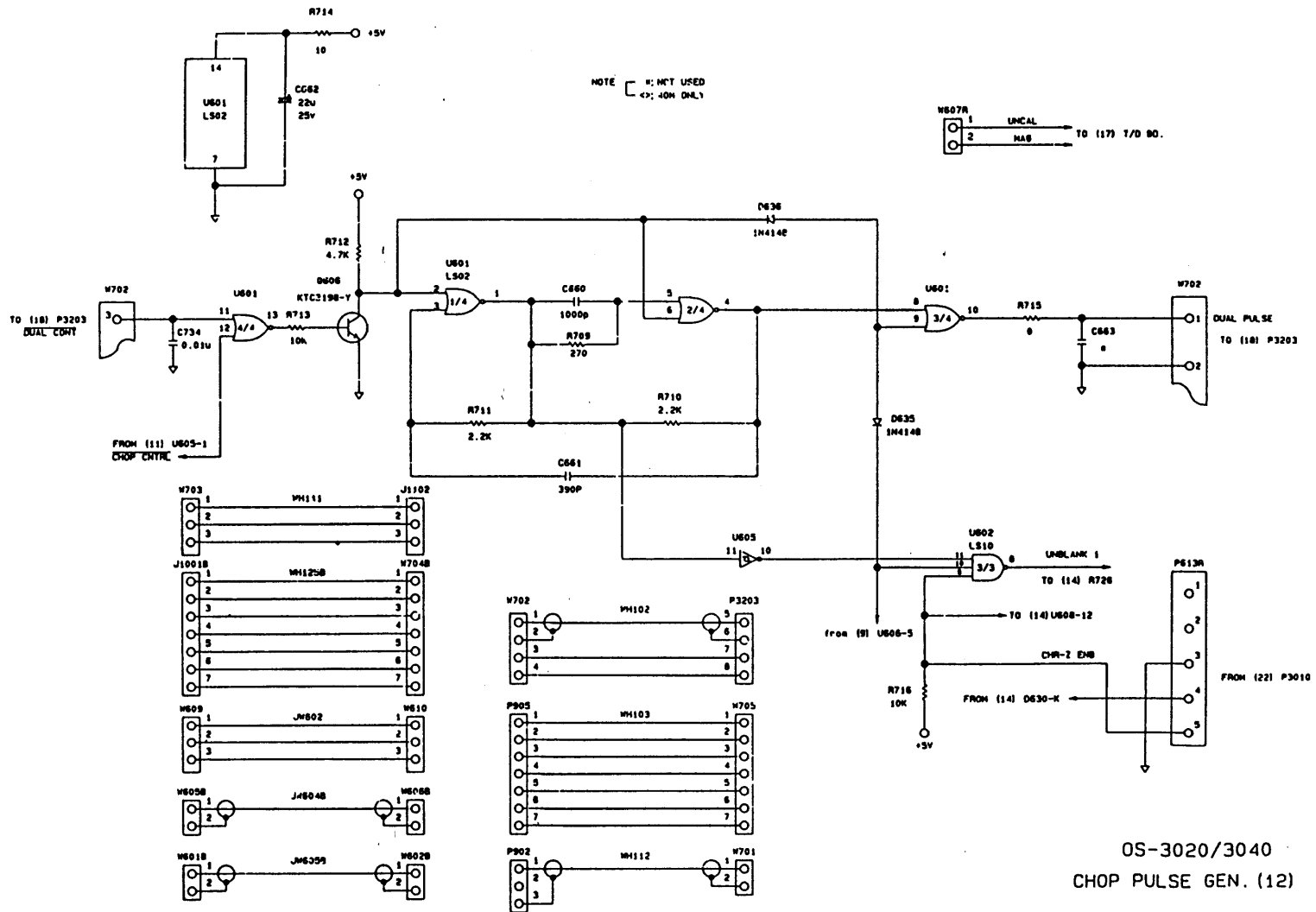
OS-3020/3040
POWER SUPPLY (15)

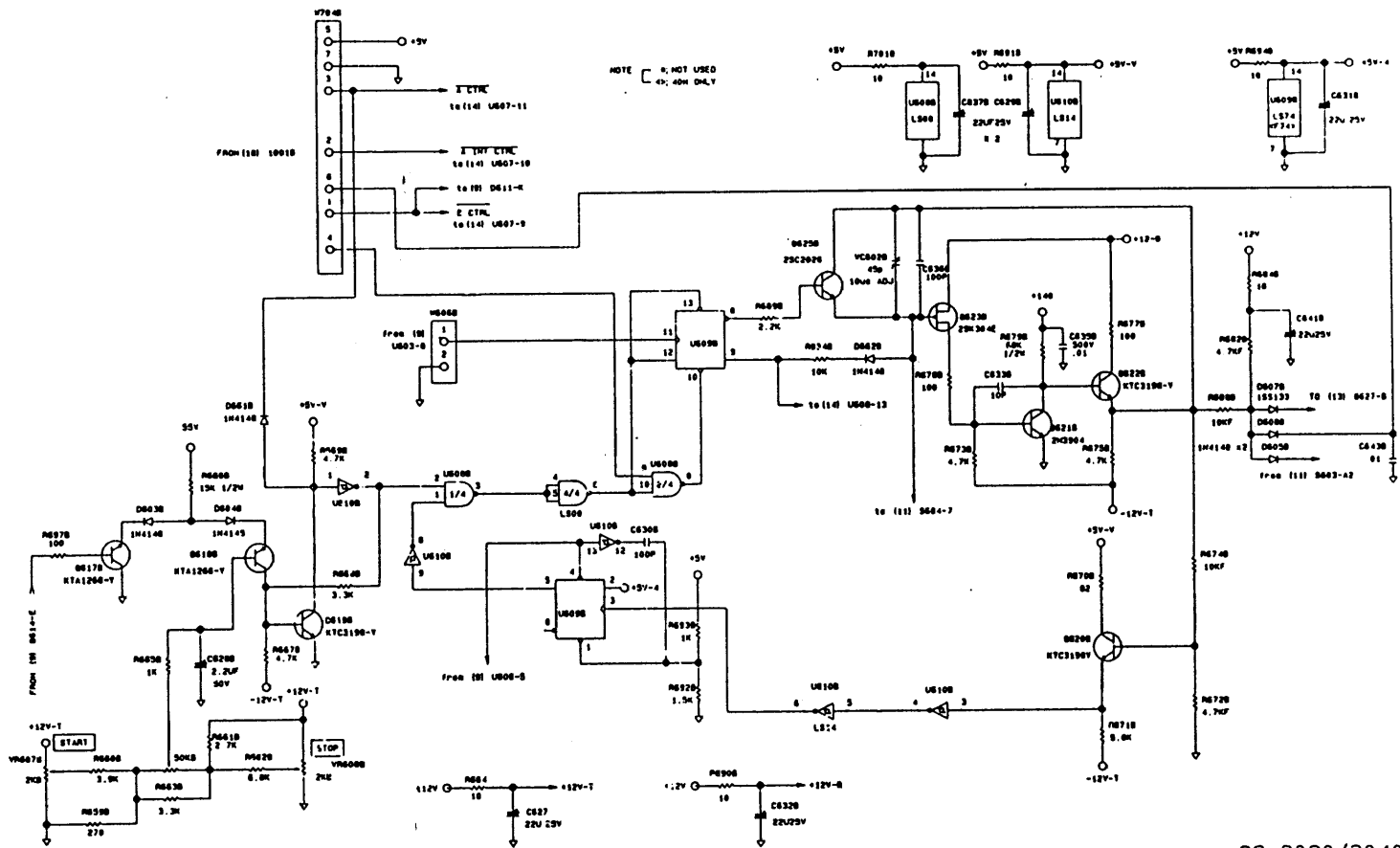


OS-3020/3040
H.V. CRT DRV (14)

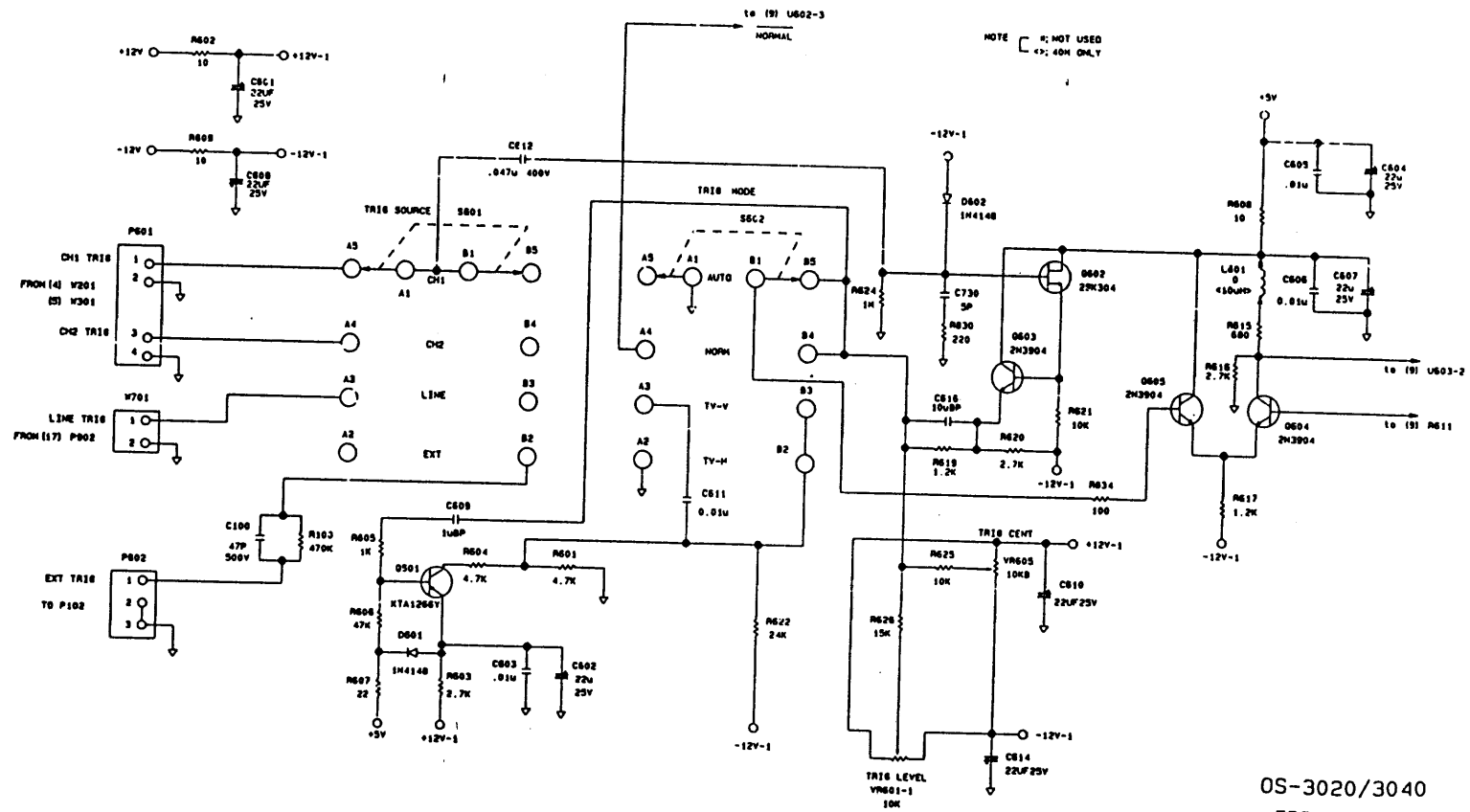
14
K
K
L

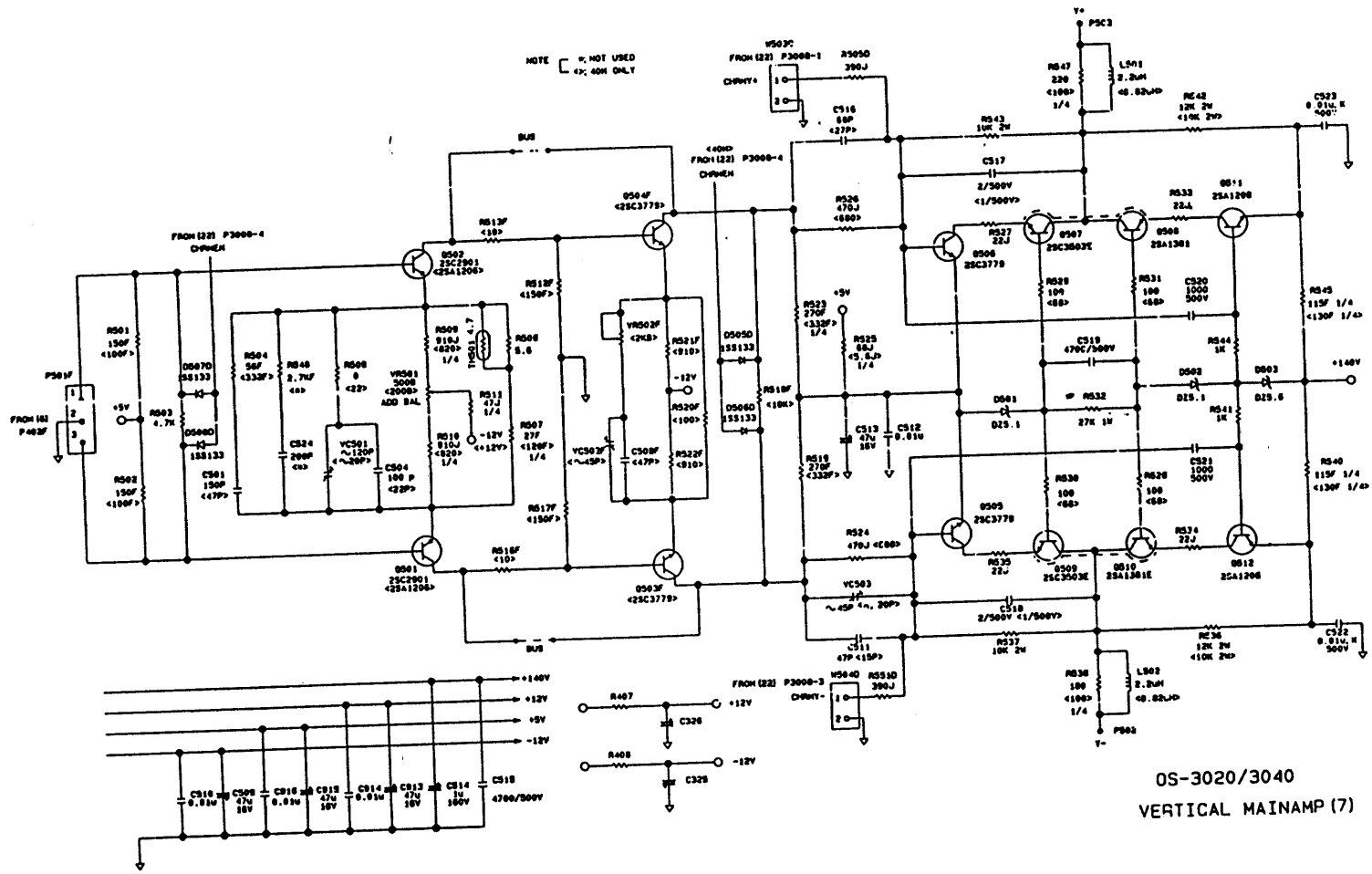




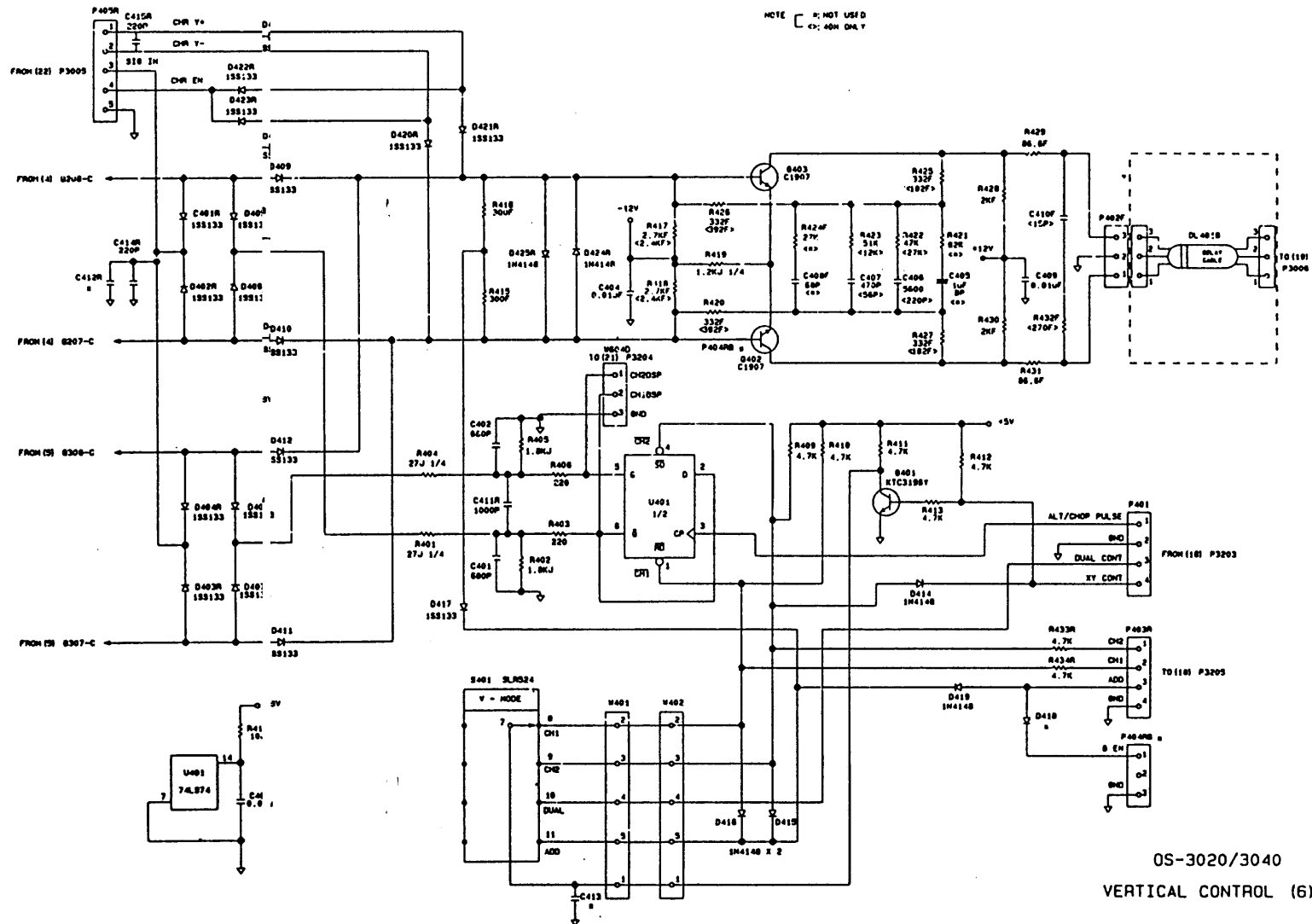


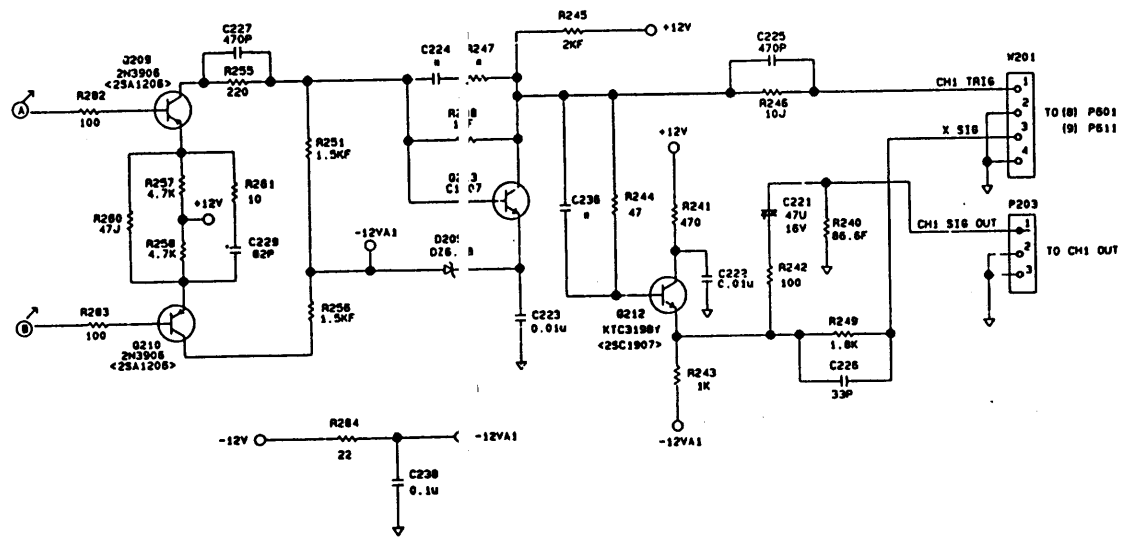
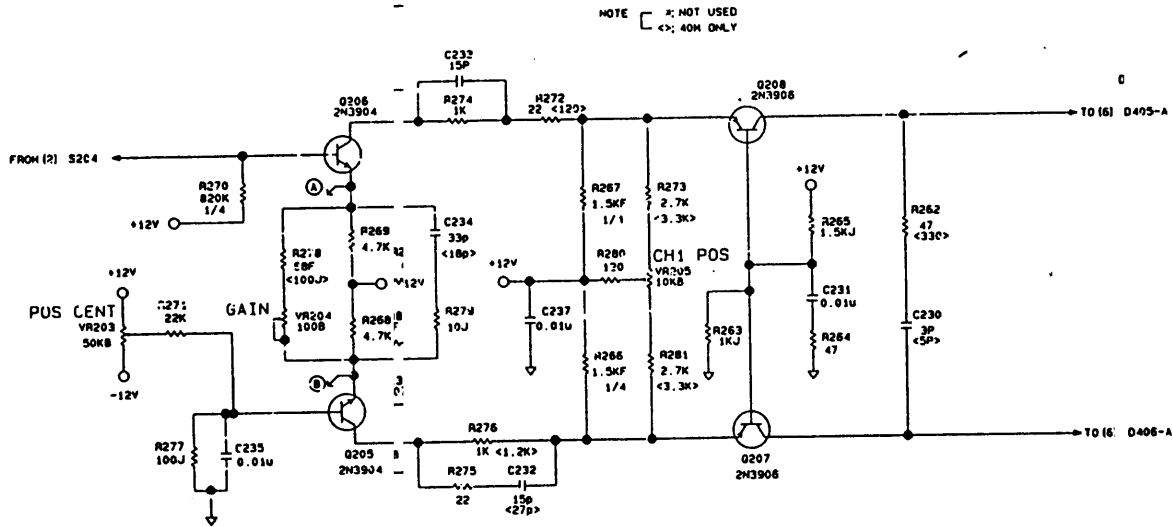
OS-3020/3040
B SWEEP GEN. (10)





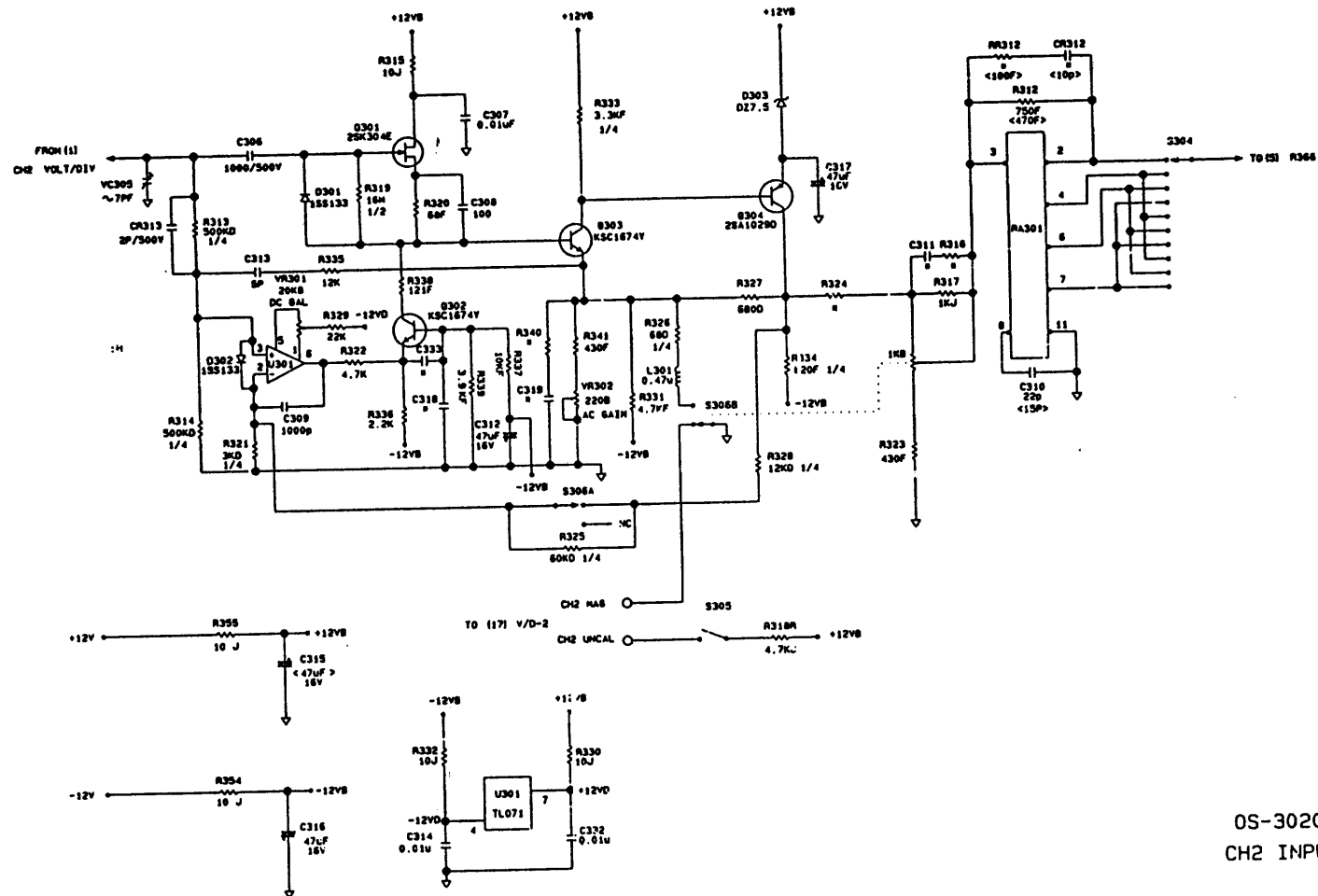
D4
-
C
S3



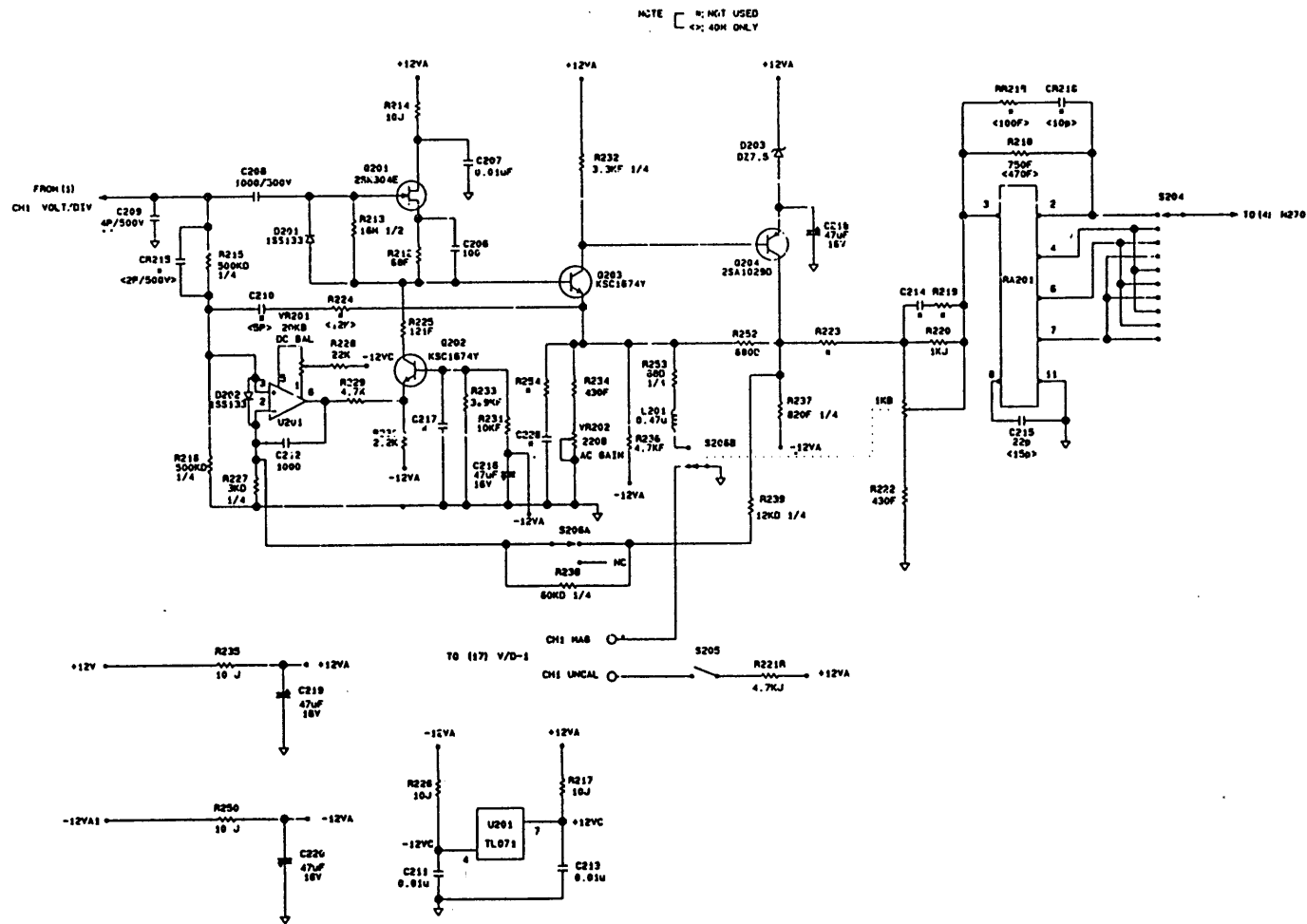


OS-3020/3040
CH1 PRE AMP &
TRIG PICK OFF (4)

NOTE R: NOT USED
 <: 40M OALY

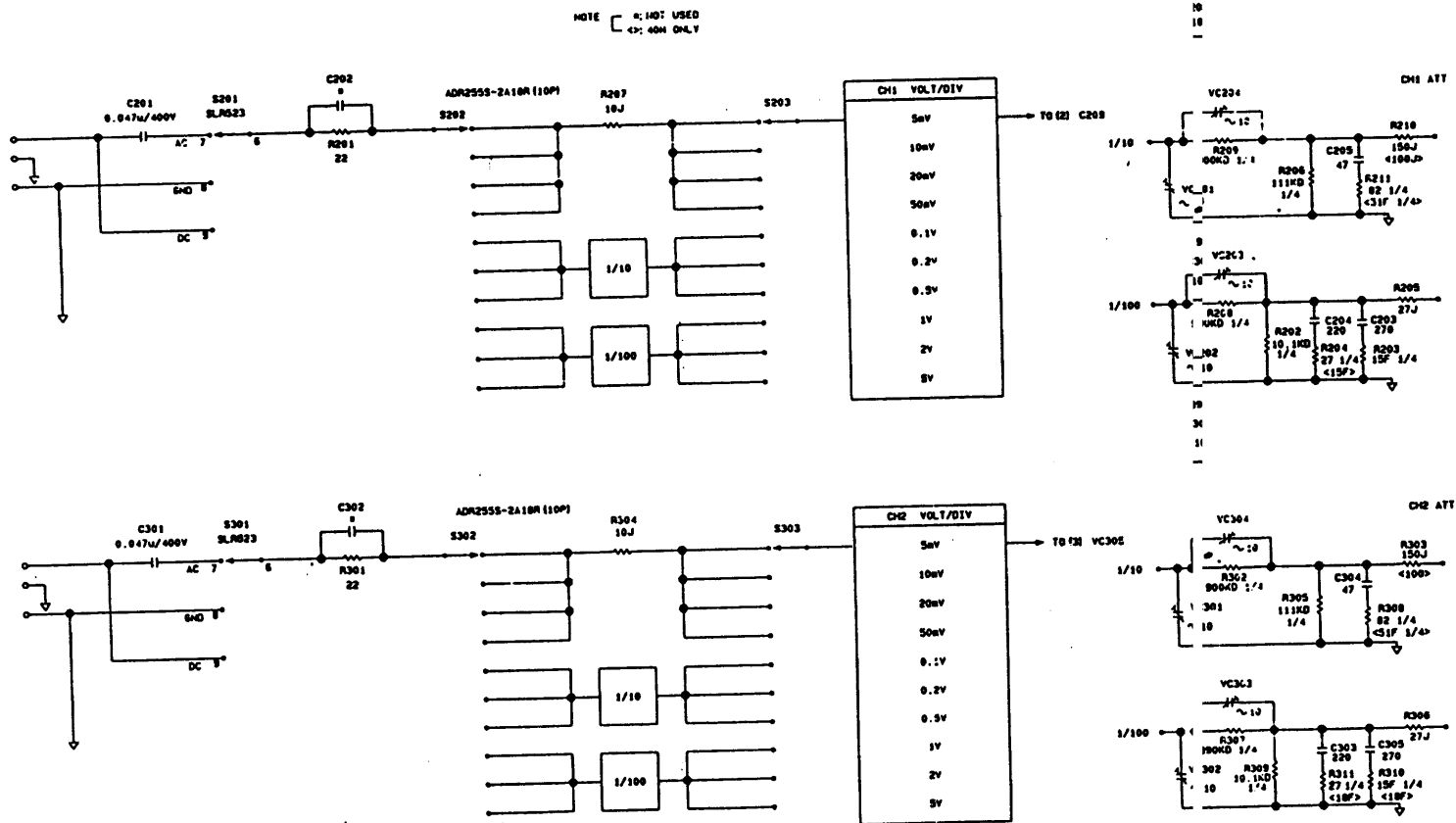


OS-302C/3040
 CH2 INPUT AMP (3)



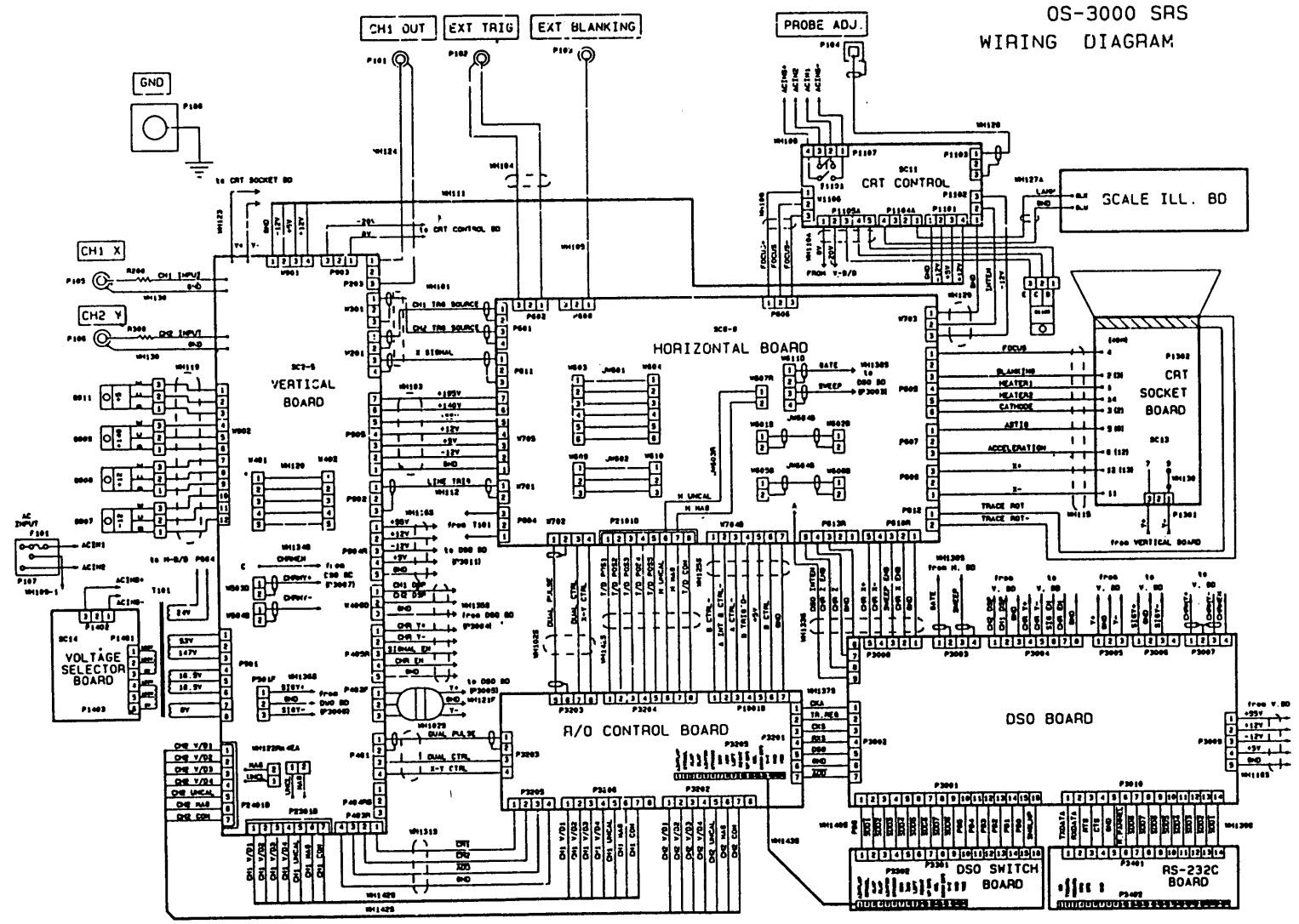
OS-3020/3040
 CH1 INPUT AMP (2)

6-4. Circuit Diagrams

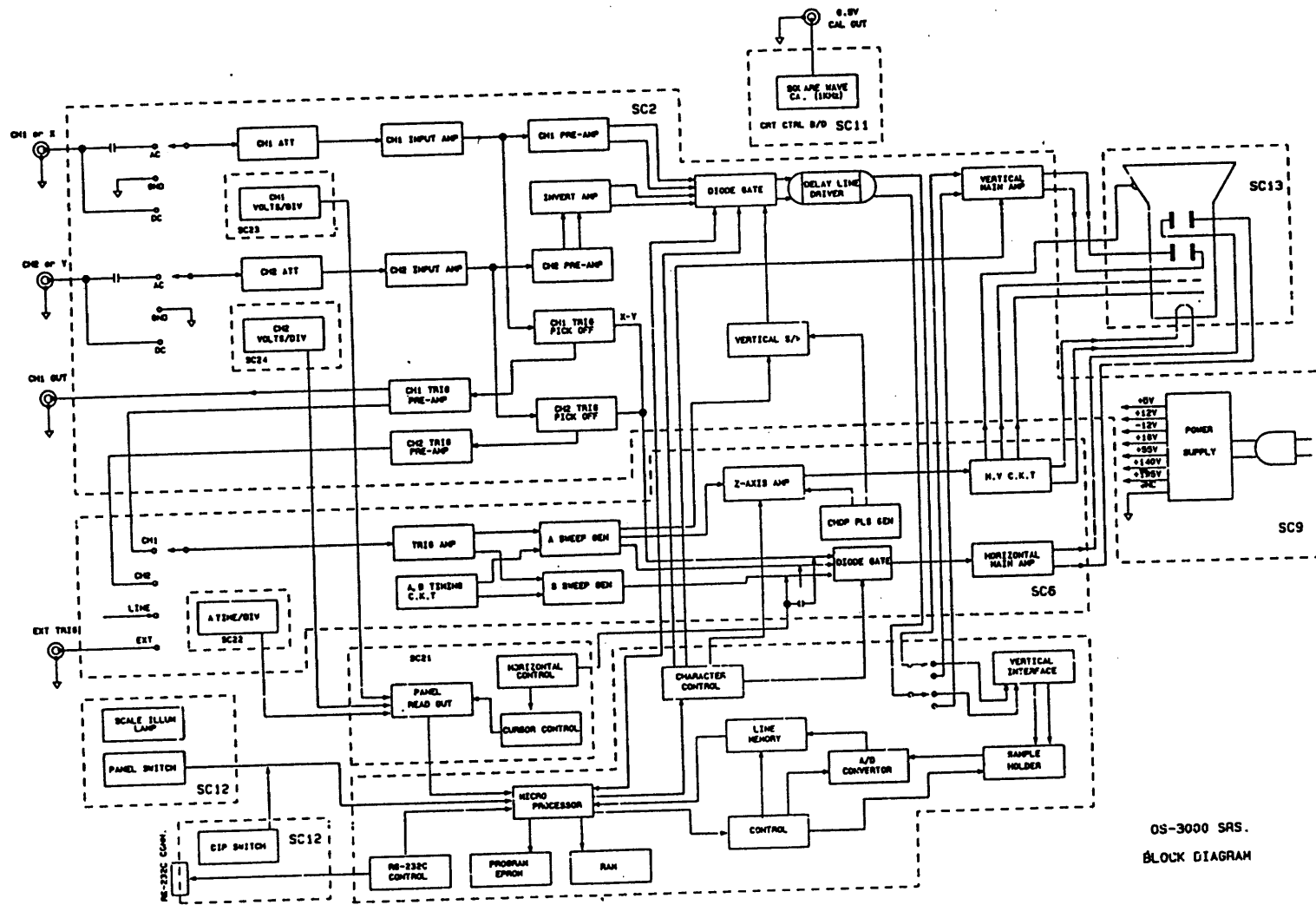


OS-3020/3040
ATTENUATOR (1)

OS-3000 SRS
WIRING DIAGRAM



6-2. Block Diagram



OS-3000 SRS.
BLOCK DIAGRAM