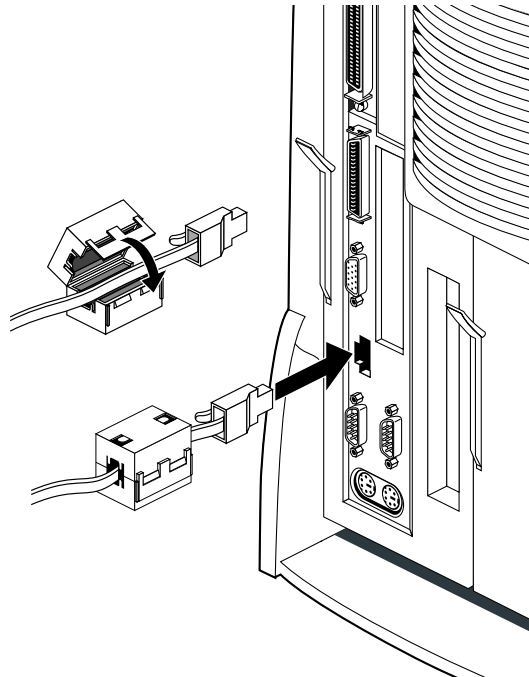

O2™ Class B Workstations: Installing the Ferrite Bead

In order to meet Class B requirements, it's important that you install the ferrite bead on the Ethernet cable, following the instructions below. For complete regulatory information, see the "Manufacturer's Regulatory Declarations" section in the Appendix of the *O2 Workstation Owner's Guide*.



1. Open the bead and place it over the Ethernet 10-Base-T/100-Base-T cable, close to the end that connects to the workstation.
2. Snap the bead closed around the cable and insert the cable into the Ethernet port on the workstation.

© 1998, Silicon Graphics, Inc. All rights reserved.
Silicon Graphics is a registered trademark and O2 is a trademark of Silicon Graphics, Inc.

