

IRIX[®] TMF Administrator's Guide

007-3966-004

Version 1.3

© 1998–2000 Silicon Graphics, Inc. All rights reserved; provided portions may be copyright in third parties, as indicated elsewhere herein. No permission is granted to copy, distribute, or create derivative works from the contents of this electronic documentation in any manner, in whole or in part, without the prior written permission of Silicon Graphics, Inc.

LIMITED RIGHTS LEGEND

The electronic (software) version of this document was developed at private expense; if acquired under an agreement with the USA government or any contractor thereto, it is acquired as "commercial computer software" subject to the provisions of its applicable license agreement, as specified in (a) 48 CFR 12.212 of the FAR; or, if acquired for Department of Defense units, (b) 48 CFR 227-7202 of the DoD FAR Supplement; or sections succeeding thereto. Contractor/manufacturer is Silicon Graphics, Inc., 1600 Amphitheatre Pkwy 2E, Mountain View, CA 94043-1351.

Silicon Graphics, Challenge, and IRIX are registered trademarks and OpenVault, Origin, SGI, and the SGI logo are trademarks of Silicon Graphics, Inc. StorageTek is a trademark of Storage Technology Corporation. DLT is a trademark of Quantum Corporation. EMASS is a trademark of EMASS, Inc. FLEXlm is a trademark of Globetrotter Software, Inc. IBM and RISC System/6000 are trademarks of International Business Machines Corporation. UNIX is a registered trademark in the United States and other countries, licensed exclusively through X/Open Company Limited. VolServ is a trademark of E-Systems, Inc.

New Features in This Guide

This guide describes the new job limits and comprehensive system accounting (CSA) features in Chapter 2. In addition, miscellaneous technical and editing changes have been made.

Record of Revision

Version	Description
1.0	December 1998 Original printing to support the Tape Management Facility (TMF) release 1.0, for SGI 64-bit systems running the IRIX 6.4.1 or IRIX 6.5.2m operating system.
1.1	July 1999 Incorporates information in support of the TMF release 1.1 for the 64-bit SGI Challenge XL, SGI Challenge L, SGI Origin 200, and SGI Origin 2000 systems running the IRIX 6.4.1, IRIX 6.5.2m, or later operating system and for the 32-bit SGI Challenge S system running the IRIX 6.5.2m or later operating system.
003	November 1999 Incorporates information in support of the TMF release 1.2 for the 64-bit SGI Challenge XL, SGI Challenge L, SGI Origin 200, and SGI Origin 2000 systems running the IRIX 6.4.1, IRIX 6.5.2m, or later operating system and for the 32-bit SGI Challenge S system running the IRIX 6.5.2m or later operating system. Requires OpenVault release 1.4. The version entry on the Record of Revision page has been changed from the product revision number to the document revision number (the last three digits of the part number).
004	August 2000 Incorporates information in support of the TMF release 1.3 for the 64-bit SGI Challenge XL, SGI Challenge L, SGI Origin 200, and SGI Origin 2000 systems running the IRIX 6.5.2m or later operating system and for the 32-bit SGI Challenge S system running the IRIX 6.5.2m or later operating system. Requires OpenVault release 1.4.

Contents

About This Guide	xix
Related Publications	xix
TMF Man Pages	xix
Obtaining Publications	xix
Conventions	xix
Reader Comments	xx
1. Introduction	1
Interfaces	1
Administration Commands	1
2. Configuration	5
TMF Configuration File	5
LOADER Statement	10
DEVICE_GROUP Statement	11
AUTOCONFIG Statement	11
DEVICE Statement	12
OPTIONS Statement	13
FLEXlm License File Editing	14
Statements	14
Statement Order	14
Syntax Rules	15
Job limits and the ULDB	16
TMF and CSA	18
3. Administration	19
007-3966-004	vii

Tape Libraries	19
Communication	19
StorageTek Library	20
IBM Library	20
EMASS Library	21
General Installation Information	21
Organizing Your Devices in Attended and Unattended Modes	21
Accessing Tape Cartridges	22
OpenVault as a TMF Loader	22
Checklists	24
Perl Script for Commands	28
Automatic Volume Recognition	31
Message Daemon and Operator Interface	31
Starting and Stopping the Message Daemon	32
Messages	32
Commands	32
Starting and Stopping TMF	33
Starting and Stopping TMF Automatically	34
Starting and Stopping TMF Explicitly	34
Using xfsdump and xfsrestore	35
4. Troubleshooting	37
Addressing Drive, Job, and Daemon Issues	37
Tape Drive or Job Problems	37
TMF Daemon Problems	37
Pertinent TMF Files	38
Using Tracing	40
tmcollect Utility	40

Tracing	41
Sample Trace Analysis	41
Resolving Common Problems	43
TM003 - Resource <i>group_name</i> is not available	43
TM060 - Waiting for device <i>device_name</i>	43
TM064 - File <i>file_name</i> could not be found on volume <i>vsn</i>	43
Appendix A. Man Page List	45
Appendix B. <code>tmf.config</code> Man Page	47
Index	69

Figures

Figure 3-1	Library Communication	20
Figure 3-2	OpenVault on the Local Host	23
Figure 3-3	OpenVault on a Remote Host	24

Tables

Table 3-1	Message Daemon Commands	32
Table 3-2	Operator Action Commands	33
Table 3-3	TMF Commands	34
Table 4-1	TMF Trace Files	39

Examples

Example 2-1	TMF Configuration File	5
Example 2-2	Global Device Group Definitions	17
Example 2-3	Specific Device Group Definitions	17
Example 3-1	Applications for All Drive Groups	26
Example 3-2	Addition of TMF Application	26
Example 3-3	Recheck: Applications of All Drive Groups	27
Example 3-4	Applications of All Cartridge Groups	27
Example 3-5	OpenVault Command Script	29
Example 4-1	tmstat Output	39
Example 4-2	Trace Lines	42

Procedures

Procedure 2-1	Defining a TMF Domain	16
Procedure 3-1	OpenVault Checklist	24
Procedure 3-2	TMF Checklist	28

About This Guide

This guide documents how you administer the Tape Management Facility (TMF) running on the IRIX operating system. It introduces TMF, summarizes administration commands, covers configuration, documents administration information, and describes troubleshooting techniques.

Related Publications

This guide is one of a set of manuals that describes TMF. The following manuals are also in the set:

- *IRIX TMF Release and Installation Guide*
- *IRIX TMF User's Guide*

If you are using TMF with OpenVault, see the following manual for OpenVault operating and administration information:

- *OpenVault Operator's and Administrator's Guide*

TMF Man Pages

In addition to printed and online prose documentation, several online man pages describe aspects of TMF. For a list of TMF man pages and usage information, see Appendix A, page 45.

Obtaining Publications

To obtain SGI documentation, go to the SGI Technical Publications Library at <http://techpubs.sgi.com>.

Conventions

The following conventions are used throughout this document:

Convention	Meaning
<code>command</code>	This fixed-space font denotes literal items such as commands, files, routines, path names, signals, messages, and programming language structures.
<i>variable</i>	Italic typeface denotes variable entries and words or concepts being defined.
user input	This bold, fixed-space font denotes literal items that the user enters in interactive sessions. Output is shown in nonbold, fixed-space font.
[]	Brackets enclose optional portions of a command or directive line.
...	Ellipses indicate that a preceding element can be repeated.

Reader Comments

If you have comments about the technical accuracy, content, or organization of this document, please tell us. Be sure to include the title and document number of the manual with your comments. (Online, the document number is located in the front matter of the manual. In printed manuals, the document number can be found on the back cover.)

You can contact us in any of the following ways:

- Send e-mail to the following address:
`techpubs@sgi.com`
- Use the Feedback option on the Technical Publications Library World Wide Web page:
`http://techpubs.sgi.com`
- Contact your customer service representative and ask that an incident be filed in the SGI incident tracking system.

- Send mail to the following address:

Technical Publications
SGI
1600 Amphitheatre Pkwy., M/S 535
Mountain View, California 94043-1351

- Send a fax to the attention of "Technical Publications" at +1 650 932 0801.

We value your comments and will respond to them promptly.

Introduction

This guide describes key Tape Management Facility (TMF) administration tasks and provides information on performing them. It covers configuration, administration, and troubleshooting.

It documents the following administrative topics:

- TMF, tape interfaces, and the TMF administration commands
- Sample TMF configuration file, FLEXlm license file editing, and statement rules and syntax
- Tape libraries, the message daemon and operator interface, TMF startup, dumping to tape, and OpenVault usage
- Tape troubleshooting
- Names of TMF man pages and information on accessing them
- `tmf.config(5)` man page

1.1 Interfaces

Users can access tapes attached to an IRIX system by one of two interfaces: TMF, which is described in this manual, and the character-special tape interface (`tpsc`). For more information, see the `tpsc(7M)` man page. This manual describes TMF.

1.2 Administration Commands

This section briefly describes the TMF administration commands. For more information, see the individual man pages. Appendix A, page 45, contains information on accessing these pages.

<code>msgd(8)</code>	The <code>msgd(8)</code> command allows the operator to display action messages, such as tape mount messages.
<code>msgdaemon(8)</code>	The <code>msgdaemon(8)</code> command starts the message daemon, which handles the communication between users and operators.

<code>msgdstop(8)</code>	The <code>msgdstop(8)</code> command causes the message daemon to stop executing.
<code>newmsglog(8)</code>	The <code>newmsglog(8)</code> command saves the latest versions of the message log file.
<code>oper(8)</code>	The <code>oper(8)</code> command displays action messages and runs other commands as refresh displays.
<code>rep(8)</code>	The <code>rep(8)</code> command allows the operator to respond to action messages, such as tape mount messages.
<code>tmclr(8)</code>	The <code>tmclr(8)</code> command clears a tape stream. All tables and data associated with that device are cleared, if possible.
<code>tmcollect(8)</code>	The <code>tmcollect(8)</code> command collects information for TMF problem analysis.
<code>tmconf(8)</code>	The <code>tmconf(8)</code> command verifies the TMF configuration file.
<code>tmconfig(8)</code>	The <code>tmconfig(8)</code> command configures tape devices up and down, changes the status of the associated media loaders, assigns a media loader to a device, and reassigns a device group to a device.
<code>tmdaemon(8)</code>	The <code>tmdaemon(8)</code> command starts TMF. It provides the routing and control of the various components used in tape resource management, device management, volume mounts and dismounts through operator communication or library requests, label processing, volume switching, and error recovery.
<code>tmfrls(8)</code>	The <code>tmfrls(8)</code> command lets the operator release the tape reservations made by a user.
<code>tmgstat(8)</code>	The <code>tmgstat(8)</code> command displays the reservation status for each device group in the system for each tape user.
<code>tmlabel(8)</code>	The <code>tmlabel(8)</code> command labels tapes and may perform other functions depending on the interface being used.
<code>tmmls(8)</code>	The <code>tmmls(8)</code> command displays the status of the tape loaders in the system.

<code>tmmq1(8)</code>	The <code>tmmq1(8)</code> command displays the current mount request list for all users who have completed initial mount processing and have a mount request pending.
<code>tmset(8)</code>	<p>The <code>tmset(8)</code> command sets features for TMF. It changes the status of automatic volume recognition (AVR), front-end servicing (FES), the status of tracing for TMF, or the destination of tape operator messages issued by TMF.</p> <p>All of these features can be set in the TMF configuration file.</p>
<code>tmstop(8)</code>	The <code>tmstop(8)</code> command stops TMF, which terminates in an orderly fashion.
<code>tmunld(8)</code>	The <code>tmunld(8)</code> command is used by the system operator to unload tapes. This command has no effect on a tape that is currently in use.

Configuration

This chapter describes how to create your TMF configuration file and how to edit your FLEXlm license file. It also provides information on the configuration file statements, job limits, and comprehensive system accounting (CSA).

The TMF configuration file, `tmf.config` in the `/etc/config` directory, must be updated to configure TMF before TMF is started. You should set the parameters in your TMF configuration file to values that suit your system. TMF uses these values to decide what to do in various situations.

You can update the file with any text editor. The basic information that you need for this task is contained in this chapter. For a description of the parameters, see the `tmf.config(5)` man page. During initial system startup, refer to Appendix B, page 47.

2.1 TMF Configuration File

To become familiar with the TMF configuration elements, review the file in Example 2-1. The following subsections highlight how you configure the statements within the TMF configuration file.

Example 2-1 TMF Configuration File

This TMF configuration file contains five statements: `LOADER`, `DEVICE_GROUP`, `AUTOCONFIG`, which is composed of `DEVICE` statements, and `OPTIONS`

```
#
#     TAPE MANAGEMENT FACILITY CONFIGURATION FILE
#
#
#
#

LOADER
    name = operator ,
    type = OPERATOR ,
    status = UP ,
    mode = ATTENDED ,
    message_path_to_loader = MSGDAEMON ,
    server = IRIX ,
```

```
scratch_volume_label_type = (AL,NL,SL) ,  
queue_time = 0 ,  
verify_non_label_vsn = YES ,  
message_route_masks = (IRIX) ,  
loader_ring_status = ALERT
```

LOADER

```
name = wolffy ,  
type = STKACS ,  
status = DOWN ,  
mode = ATTENDED ,  
message_path_to_loader = NETWORK ,  
server = wolfcreek ,  
scratch_volume_label_type = NONE ,  
queue_time = 15 ,  
verify_non_label_vsn = NO ,  
message_route_masks = (IRIX) ,  
loader_ring_status = IGNORE
```

LOADER

```
name = panther ,  
type = STKACS ,  
status = DOWN ,  
mode = ATTENDED ,  
message_path_to_loader = NETWORK ,  
server = stk9710 ,  
scratch_volume_label_type = NONE ,  
queue_time = 15 ,  
verify_non_label_vsn = NO ,  
message_route_masks = (IRIX) ,  
loader_ring_status = IGNORE
```

LOADER

```
name = esys ,  
type = EMASS ,  
status = DOWN ,  
mode = ATTENDED ,  
message_path_to_loader = NETWORK ,  
server = esisun ,  
scratch_volume_label_type = NONE ,  
queue_time = 15 ,
```

```
verify_non_label_vsn = NO ,  
message_route_masks = (IRIX) ,  
loader_ring_status = IGNORE
```

LOADER

```
name = tmfov ,  
type = OPENVAULT ,  
server = armadillo ,  
status = down ,  
mode = ATTENDED ,  
message_path_to_loader = NETWORK ,  
ov_tmf_application_name = tmf ,  
scratch_volume_label_type = NONE ,  
queue_time = 15 ,  
verify_non_label_vsn = NO ,  
message_route_masks = (IRIX) ,  
loader_ring_status = IGNORE
```

DEVICE_GROUP

```
name = CART  
avr = YES
```

DEVICE_GROUP

```
name = DLT
```

DEVICE_GROUP

```
name = EMASS
```

DEVICE_GROUP

```
name = STK9490
```

AUTOCONFIG

```
{  
    DEVICE  
        name = t1 ,  
        device_group_name = CART ,  
        file = /hw/tape/tps3dl ,  
        status = DOWN ,  
        loader = wolfy ,  
        vendor_address = (0,0,1,1)
```

2: Configuration

```
DEVICE
    name      = t4 ,
    device_group_name = CART ,
    file      = /hw/tape/tps3d4 ,
    status    = DOWN ,
    loader    = wolfy ,
    vendor_address = (0,0,1,0)

DEVICE
    name      = dlt2 ,
    device_group_name = DLT ,
    file      = /hw/tape/tps5d2 ,
    status    = DOWN ,
    loader    = panther ,
    vendor_address = (1,0,2,0)

DEVICE
    name      = dlt3 ,
    device_group_name = DLT ,
    file      = /hw/tape/tps5d3 ,
    status    = DOWN ,
    loader    = panther ,
    vendor_address = (1,0,2,1)

DEVICE
    name      = ed0 ,
    device_group_name = EMASS ,
    file      = /hw/tape/tps10d0 ,
    status    = DOWN ,
    loader    = esys ,
    vendor_address = (1)

DEVICE
    name      = s9490s4 ,
    device_group_name = STK9490 ,
    file      = /hw/tape/tps22d4 ,
    status    = down ,
    vendor_address = (0,0,1,0),
    loader    = tmfov

DEVICE
    name      = s9490s1 ,
    device_group_name = STK9490 ,
    file      = /hw/tape/tps22d1 ,
    status    = down ,
    vendor_address = (0,0,1,1),
```

```

                                loader = tmfov
}
OPTIONS
ask_label_switch                = YES ,
ask_vsn                         = YES ,
blocksize                       = 32768 ,
blp_ring_status                 = UNRESTRICTED ,
check_expiration_date           = YES ,
check_file_id                   = YES ,
check_protection                = YES ,
check_vsn                       = YES ,
device_group_name               = CART ,
fes_daemon_frontend_id          = "mvs" ,
fes_daemon_socket_port_number  = 1167 ,
file_status                     = OLD ,
label_type                      = AL ,
loader_device_assignment_order  = ROUND_ROBIN ,
max_number_of_tape_users        = 100 ,
number_of_autoloader_retries    = 10 ,
operator_message_destination    = (IRIX) ,
operator_message_frontend_id    = "" ,
overcommit_max                  = 20 ,
retention_period_days           = 0 ,
ring_status                     = (IN,OUT) ,
scratch_volume_retries          = 0 ,
scratch_volume_vsn              = ?????? ,
servicing_frontend_id           = "" ,
servicing_frontend_mandatory    = NO ,
system_code                     = SGI/IRIX ,
tmf_major                       = 261 ,
trace_file_group_id             = 3 ,
trace_file_mode                 = 0640 ,
trace_file_owner                = 0 ,
trace_directory                 = /var/spool/tmf/trace ,
trace_file_size                 = 409600 ,
trace_state                     = ON ,
trace_save_directory            = /var/spool/tmf/trace_save ,
user_exit_mask                  = UEX_STOP ,
verify_scratch_vsn              = NO

```

2.1.1 LOADER Statement

The TMF configuration file in Example 2-1, page 5, contains five LOADER statements; these represent the five loaders that are available on this IRIX system. Each LOADER statement is composed of the parameters needed to describe a specified loader. For example, the first LOADER statement has 11 parameters:

```
LOADER
    name = operator ,
    type = OPERATOR ,
    status = UP ,
    mode = ATTENDED ,
    message_path_to_loader = MSGDAEMON ,
    server = IRIX ,
    scratch_volume_label_type = (AL,NL,SL) ,
    queue_time = 0 ,
    verify_non_label_vsn = YES ,
    message_route_masks = (IRIX) ,
    loader_ring_status = ALERT
```

The name of the loader is `operator`, the type is `OPERATOR`, the status is `UP`, and the mode is `ATTENDED`.

The message path to the servicing loader is `MSGDAEMON`; the server name is `IRIX`.

The loader will process ANSI (`AL`), nonlabeled (`NL`), and IBM (`SL`) scratch requests. The system will queue a request and wait for the best loader to become available for up to 24 hours.

Nonlabeled VSNs must be verified. `message_route_masks` is `IRIX`, which means that mount request messages are routed to the message daemon. The loader is alerted to the ring status whenever a tape is mounted.

It may be necessary to specify an alternate network name for LOADER statements that represent NETWORK libraries. If a NETWORK library is not connected to the host primary network, the path must be specified with the `return_host` parameter so that the library can return responses to TMF. This parameter is only used if it is set; there is no default.

2.1.2 DEVICE_GROUP Statement

The file in Example 2-1, page 5, contains four DEVICE_GROUP statements, one for each of the system's device groups:

```
DEVICE_GROUP
    name = CART
    avr  = YES

DEVICE_GROUP
    name = DLT

DEVICE_GROUP
    name = EMASS

DEVICE_GROUP
    name = STK9490
```

The first DEVICE_GROUP statement supports the automatic volume feature.

2.1.3 AUTOCONFIG Statement

The AUTOCONFIG statement in Example 2-1, page 5, is made up of seven DEVICE statements, one for each device in the system:

```
AUTOCONFIG
{
    DEVICE
        name      = t1 ,
        device_group_name = CART ,
        file      = /hw/tape/tps3d1 ,
        status    = DOWN ,
        loader    = wolfy ,
        vendor_address = (0,0,1,1)

    DEVICE
        name      = t4 ,
        device_group_name = CART ,
        file      = /hw/tape/tps3d4 ,
        status    = DOWN ,
        loader    = wolfy ,
        vendor_address = (0,0,1,0)

    DEVICE
```

```
        name    = dlt2 ,
        device_group_name = DLT ,
        file     = /hw/tape/tps5d2 ,
        status   = DOWN ,
        loader    = panther ,
        vendor_address = (1,0,2,0)
DEVICE
        name    = dlt3 ,
        device_group_name = DLT ,
        file     = /hw/tape/tps5d3 ,
        status   = DOWN ,
        loader    = panther ,
        vendor_address = (1,0,2,1)
DEVICE
        name    = ed0 ,
        device_group_name = EMASS ,
        file     = /hw/tape/tps10d0 ,
        status   = DOWN ,
        loader    = esys ,
        vendor_address = (1)
DEVICE
        name    = s9490s4 ,
        device_group_name = STK9490 ,
        file     = /hw/tape/tps22d4 ,
        status   = down ,
        vendor_address = (0,0,1,0),
        loader    = tmfov
DEVICE
        name    = s9490s1 ,
        device_group_name = STK9490 ,
        file     = /hw/tape/tps22d1 ,
        status   = down ,
        vendor_address = (0,0,1,1),
        loader    = tmfov
```

2.1.4 DEVICE Statement

The `DEVICE` statement identifies the tape devices that are available on the system on which TMF is running. In the first `DEVICE` statement in the `AUTOCONFIG` statement, shown in the Example 2-1, page 5, the device is `t1`.

```

{
    DEVICE
        name      = t1 ,
        device_group_name = CART ,
        file       = /hw/tape/tps3d1 ,
        status    = DOWN ,
        loader    = wolfy ,
        vendor_address = (0,0,1,1)
}

```

This device is a member of the `CART` device group, which is specified by the first `DEVICE_GROUP` statement (see Section 2.1.2, page 11).

The path name to the device specific file is `/hw/tape/tps3d1`. The initial status of the device is `DOWN`. The vendor address of the drive in the library is `(0,0,1,1)`.

The loader name is `wolfy`, and it is defined in the second `LOADER` statement in Example 2-1, page 5.

2.1.5 OPTIONS Statement

The `OPTIONS` statement shows the values that TMF uses for the options. For a description of each option, see the `tmf.config(5)` man page.

In the file in Example 2-1, page 5, the defaults are used for all options except the following:

```

check_protection          = YES ,
fes_daemon_frontend_id   = "mvs" ,
scratch_volume_retries   = 0 ,
user_exit_mask           = UEX_STOP ,
verify_scratch_vsn       = NO

```

`YES` for `check_protection` means the protection flag on the header is checked. `fes_daemon_frontend_id` specifies `mvs` for the front-end identifier of the TCP daemon. Because `scratch_volume_retries` is set to 0, users are not allowed to retry scratch volume mount requests. TMF stops and enables one or more user exits for the site since `UEX_STOP` is the value for `user_exit_mask`. Because the value for `verify_scratch_vsn` is `NO`, users do not send the operator a message requesting verification whenever they want to use a scratch tape.

2.2 FLEXlm License File Editing

During the process of installing the TMF product, a FLEXlm license is e-mailed or sent to you. The license takes the form of a FLEXlm feature line, for example:

```
FEATURE tmf craylmd 1.000 05-AUG-1998 0 A0B0A0D111E018A1A2F8 "" 333983
```

This line needs to be added to the FLEXlm `license.dat` file on the TMF system. You can edit the `license.dat` file using `vi(1)` or another editor. The file is located in the following directory:

```
/var/flexlm/license.dat
```

2.3 Statements

The TMF configuration file consists of comments (optional) and statements:

- A comment begins with the number sign character (#) and continues to the end of line.
- A statement consists of a name followed by a list of parameters.

2.3.1 Statement Order

There are, at least, four statements in a TMF configuration file; and one of which also consists of statements. Within the file, the statements must be in the following order:

1. `LOADER` statements (one per loader)
2. `DEVICE_GROUP` statements (one per device group)
3. `AUTOCONFIG` statement (one per system)

The `AUTOCONFIG` statement consists of `DEVICE` statements.

- `DEVICE` statements (one per device)

`DEVICE` statements define devices that TMF will control and that are automatically configured during the system boot.

4. `OPTIONS` statement (one per system)

2.3.2 Syntax Rules

The following syntax rules apply to the TMF statements:

- The statement name and its parameters are separated by one or more white spaces (blank, tab, or newline characters).
- Adjacent parameters are separated by a comma.
- The end of the parameter list is indicated by the absence of a comma.
- Adjacent statements are separated by one or more white spaces.

The following syntax rules apply to keyword parameters:

- The keyword is separated from its value by the equal sign (=).
- The value of a keyword may consist of keywords, numbers, character strings, and lists of keywords, numbers, and character strings.
- If the value of a keyword is a list, then the list is enclosed within left and right parentheses. Adjacent elements of a list are separated by a comma. If the list consists of one element, you do not have to enclose it in parentheses. The elements of a list may be lists.
- Numbers may be specified in decimal, octal, and hexadecimal formats. These formats are the same as those used in the C programming language:

Decimal	The first digit is not 0 (for example, 1372).
Octal	The first digit is 0 (for example, 0563).
Hexadecimal	The first 2 characters are either 0x or 0X (for example, 0xf2).
- Character strings are series of characters. If any one of the special characters (white space, ", #, =, {, }, (,), ', \) is needed in the string, then the string must be enclosed in a pair of double quotation marks, ("). Within a pair of double quotation marks, the sequence of characters \ *x*, where *x* is any character, will be replaced by *x*. This is the only way a " and a \ may be specified in a quoted string.
- Comments may appear between any symbols described above.

You can code the names of statements and keywords in a mixture of uppercase and lowercase letters. The values specified by the user are case sensitive. The following mean the same thing:

```
Name = A
name = A.
```

The following are different:

```
name = A
name = a.
```

2.4 Job limits and the ULDB

The user limits database (ULDB) allows a site to configure subsystems and related limits on a global or per user basis. A site may add a TMF domain to the ULDB to control access to TMF managed tapes and devices as in Procedure 2-1. The TMF domain defines tape access permissions and resource allocation limits. For more information on configuring the ULDB, see *IRIX Admin: Resource Administration*.

Procedure 2-1 Defining a TMF Domain

1. Define the following permissions as part of the TMF domain:

bypasslabel	Allows or prevents the use of -l b1p on the tmmnt(1) command.
rwnonlabel	Allows or prevents the use of -l n1 on the tmmnt(1) command.
datamanager	Allows or prevents the use of absolute positioning requests.

You set these permissions to 0 or 1:

```
bypasslabel = 0 | 1
rwnonlabel = 0 | 1
datamanager = 0 | 1
```

These typically are set to 0 for the global TMF domain definition.

2. Define the appropriate limit on the number of devices for each group that may be allocated by users.

The groups defined in the TMF configuration file must be defined with an appropriate limit on the number of devices for each group that may be allocated by users.

Example 2-2 Global Device Group Definitions

The TMF configuration file, `tmf.config`, contains the following two `DEVICE_GROUP` statements:

```
DEVICE_GROUP
    name = STK9840
DEVICE_GROUP
    name = DLT
```

And if a user can allocate only two devices from either group, then the TMF domain definitions are:

```
STK9840 = 2
DLT = 2
```

A global TMF domain for the above specifications is:

```
domain tmf {
    bypasslabel = 0
    rwnonlabel = 0
    datamanger = 0
    STK9840 = 2
    DLT = 2
}
```

Example 2-3 Specific Device Group Definitions

If an administrator has a domain that allows users to label tapes or handle nonlabelled tapes, the following specifications apply:

```
user adm {
    tmf {
        bypasslabel = 1
        rwnonlabel = 1
        datamanager = 0
        STK9840 = unlimited
        DLT = unlimited
    }
}
```

Currently, TMF does not have the means to determine to which job domain a user belongs; that is, TMF cannot distinguish whether a user who is requesting TMF services is using batch or interactive facilities. Consequently, you must define the TMF domain and related user limits to accommodate any domain to which the user may belong.

2.5 TMF and CSA

To generate comprehensive system accounting (CSA) records, you start TMF with the `-c` option on the `tmfdaemon(8)` command line. This option may be added to the `tmf.options` file to enable accounting at TMF startup. If the necessary accounting routines are not present, a warning message is generated in the `/var/spool/tmf/daemon.stderr` file and TMF accounting is disabled. For more information on the comprehensive system accounting, see the `CSA(1M)` man page.

Administration

This chapter describes the following TMF administration topics:

- Tape libraries
- OpenVault as a loader
- Automatic volume recognition (AVR)
- Message daemon and operator interface
- Starting and stopping TMF
- Dumping to tape

3.1 Tape Libraries

This section describes how TMF interacts with the tape library software subsystem and also covers some high-level configuration information for StorageTek, IBM, and EMASS libraries (automatic loaders).

3.1.1 Communication

TMF always communicates to the tape loader via an intermediate software system that is provided by the library vendor.

For the StorageTek library, a software package called `ACSLs` runs on a SUN host. For the IBM library, a software package called `Controlled Path Service (CPS)` runs on an IBM RISC System/6000 platform. For the EMASS library, the package is called `VolServ` and runs on a SUN host.

These software systems, `ACSLs`, `CPS`, and `VolServ`, receive requests from TMF and pass them on to the actual tape libraries for processing. They also send responses back to TMF for any given action.

The diagram in Figure 3-1, page 20, shows the software and hardware configuration between the IRIX host and the StorageTek, IBM, and EMASS libraries.

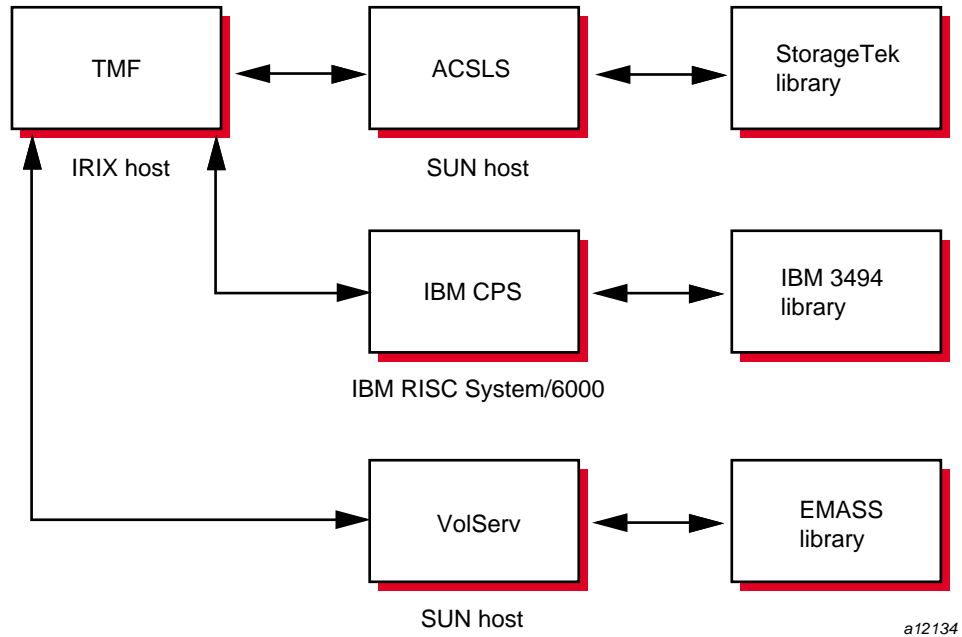


Figure 3-1 Library Communication

3.1.2 StorageTek Library

TMF supports a variety of StorageTek tape devices and libraries. For a definitive list, see the *IRIX TMF Release and Installation Guide*.

TMF communicates with the ACSLS software via a child process called `stknet`, which TMF starts after the library is configured up (*up* means that it is running and waiting for tape requests).

Note: Check with your StorageTek representative to validate the values of `CSI_UDP_RPCSERVICE` and `CSI_TCP_RPCSERVICE`.

3.1.3 IBM Library

TMF supports one IBM library, IBM 3494, and specific IBM tape devices. For a definitive list, see the *IRIX TMF Release and Installation Guide*.

TMF communicates with the IBM CPS software via a child process called `ibmnet`, which TMF starts after the library is configured up.

3.1.4 EMASS Library

TMF supports EMASS libraries. For a definitive list, see the *IRIX TMF Release and Installation Guide*.

TMF communicates with the vendor-supplied software interface, `VolServ`, via a child process called `esinet` which TMF starts after the library is configured up.

3.1.5 General Installation Information

The UNIX storage server host name must be defined in the TMF configuration file, the local `/etc/hosts` file. For more information, see the `hosts(4)` man page. The UNIX storage system host name also must be specified in the `server` parameter of the `LOADER` definition in the `/etc/config/tmf.config` file.

If you are using the UNIX version of the StorageTek library, you must also ensure that `CSI_UDP_RPCSERVICE` and `CSI_TCP_RPCSERVICE` are set to `TRUE` in the `/usr/ACSSS/rc.acsss` file of the UNIX storage server host. Your local StorageTek representative should be able to assist you in this matter.

It is recommended that you use the installation documentation for the libraries at your site to correctly install these products.

3.1.6 Organizing Your Devices in Attended and Unattended Modes

A *mixed environment* consists of devices serviced by a manual operator (attended mode) and devices serviced by a library (unattended mode). If TMF services mount requests in a mixed environment, you must organize the devices to use both devices and loaders in the most efficient manner possible.

A volume has a domain associated with it and, as such, has a preferred or best loader to service a mount request. If the domain of a tape cartridge is a tape vault, the best loader is an operator. If the tape cartridge resides in the library's domain (silo), the best loader is the library.

Each tape device belongs to a *device group*, which is a collection of devices with equivalent physical characteristics. Although cartridge devices can have equivalent

physical characteristics, you should consider the manner in which the devices will be serviced to determine whether or not they should be grouped.

One of the principal reasons for using a library is that the loader can be run in unattended mode (that is, without an operator). Using the library in this manner means that no imports or exports are considered, and a user-requested tape mount that cannot be satisfied by the library is canceled.

The easiest way to prevent canceled mounts is to assign the library drives to a device group different from the one serviced by manual operators. A user can then determine whether the required device group is available before requesting a tape mount. The only drawback to this method is that the user must be aware of the domain in which the tape resides and, if necessary, make changes to scripts if the domain of the tape changes.

For operations that have 24-hour operator coverage, all tape cartridges can be assigned to one device group, with the operator deciding whether the mount request should be queued or canceled, or whether the volume should be imported or exported. In this case, the user need not be concerned about the domain of the tape.

3.1.7 Accessing Tape Cartridges

Another administration issue is the accessibility of tape cartridges in a library. In the past, control of a volume serial number (VSN) was provided by an operator or by security programs on a front-end computer. With a library, control of VSNs does not exist; therefore, with the distributed TMF software, any user may request the mounting of any VSN in the domain of the library.

A site may provide access control to VSNs through two user exits. For information on user exits, see the *IRIX TMF Release and Installation Guide*.

3.2 OpenVault as a TMF Loader

You can use OpenVault, a storage library management facility, as a TMF loader and can configure it on your local IRIX host or a remote one. Figure 3-2, page 23, shows OpenVault on the same IRIX host as TMF, and Figure 3-3, page 24, shows OpenVault on a different host than TMF.

OpenVault supports a wide range of removable media libraries as well as a variety of drives associated with these libraries. The checklists and sample Perl command script in this section provide information on using OpenVault with TMF. For detailed information on using OpenVault, see the *OpenVault Operator's and Administrator's Guide*.

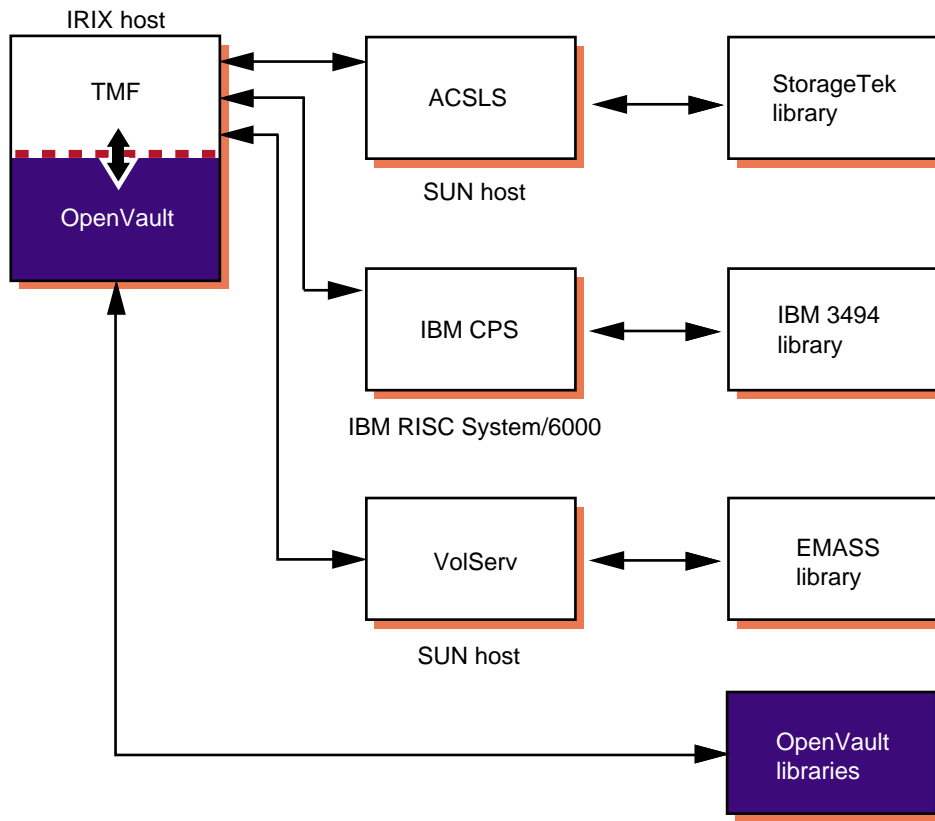


Figure 3-2 OpenVault on the Local Host

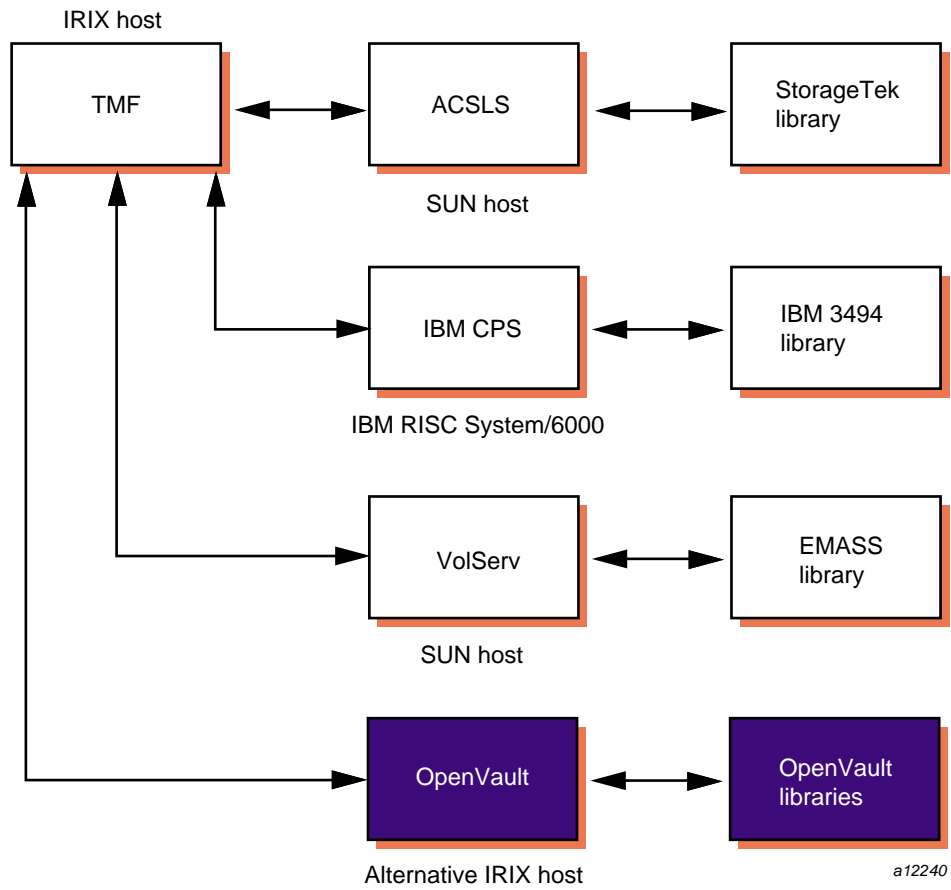


Figure 3-3 OpenVault on a Remote Host

3.2.1 Checklists

Procedure 3-1, and Procedure 3-2, page 28, list the steps you need to take before you use TMF with OpenVault.

Procedure 3-1 OpenVault Checklist

Configure the drives and libraries in OpenVault so that TMF can use them. Ensure that the following steps are taken so that TMF and OpenVault counterparts match.

1. Use the TMF name for each matching OpenVault drive.
 - In TMF, every drive belongs to a device group.
 - In OpenVault, every drive belongs to a drive group.
2. Use the TMF device group name for each matching OpenVault drive group.

For every device group in TMF, there must be a matching drive group in OpenVault containing the same drives.

3. Make sure that the following line is in the `/usr/OpenVault/var/core_keys` file:

```
server_name      app_name          *                   language      key
```

For example, if `armadillo` is the OpenVault server (*server_name*), the TMF application name (*app_name*), is `tmf`, the language is `CAPI`, and the security key (*key*) is not used (`none`), you enter the following line in the key file:

```
armadillo        tmf                *                   CAPI          none
```

Currently, TMF uses `CAPI` as its language; so you must specify `CAPI` in the file.

In OpenVault documentation, the terminology may differ: the key file is the *key authorization file*, the server (*server_name*) is a *host*, the TMF application name (*app_name*) is the *client*.

4. Verify that the application name of TMF in OpenVault can use the cartridge groups (groups of tapes) and drive groups (device groups) that TMF uses.
 - In OpenVault, more than one application may be assigned to a drive; OpenVault will use a drive only if the request comes from an assigned application.
 - In OpenVault, a drive is a TMF device.
 - Each drive is assigned to a drive group.
 - Each drive group is assigned to one or more applications (clients).
 - In OpenVault, only one application may be assigned to a cartridge; OpenVault mounts a cartridge only if the request comes from the assigned application.
 - In OpenVault, a cartridge is a physical cartridge (also called a physical tape in TMF).

- Each cartridge is assigned to a cartridge group.
 - Each cartridge group is assigned to an application (a client).
 - A cartridge is identified by its physical cartridge label (PCL), which is used to identify a cartridge in an OpenVault loader library.
- a. Use the following OpenVault commands to get the application information for the drive groups and cartridge groups:

```
ov_drivegroup -l '*' -A '*'
ov_cartgroup -l '*' -A '*'
```

- b. Use the following commands with the `-a` option to add `tmf`, the default TMF application name, to the default drive group (`drives`) and to the default cartridge group (`carts`):

```
ov_drivegroup -a drives -A tmf
ov_cartgroup -a carts -A tmf
```

The following four examples illustrate step-by-step how you can use these commands to ensure that the required components in TMF and OpenVault match.

Example 3-1 Applications for All Drive Groups

The following command requests all applications of all drive groups. The output shows that there is only one drive group, `SD3`, with one application, `ov_umsh`.

```
# ov_drivegroup -l '*' -A '*'
application      group                group app prio  unload time
ov_umsh          SD3                  1000           60
#
```

Example 3-2 Addition of TMF Application

The following command adds the `tmf` application to the `SD3` drive group.

```
# ov_drivegroup -a SD3 -A tmf
Drive-group-application creation:
  Application: tmf
  Group: SD3
#
```


Example 3-3 Recheck: Applications of All Drive Groups

The following command requests all applications for all drive groups. This command is the same as the one in Example 3-1; the resulting output shows that `tmf` has been added as an application of the `SD3` drive group.

```
# ov_drivegroup -l '*' -A '*'
application      group              group app prio  unload time
ov_umsh          SD3                1000           60
tmf              SD3                1000           60
#
```

Example 3-4 Applications of All Cartridge Groups

The following command requests all applications for all cartridge groups. The output shows that `tmf` is already an application of the `carts` cartridge group.

```
# ov_cartgroup -l '*' -A '*'
application      group              group app prio
ov_umsh          carts              1000
tmf              carts              1000
#
```

5. If you want to change a default, see the `/usr/OpenVault/etc/ov_environment` file. It contains the environment variables and the default values that you can change.

For example, if the default drive group, cartridge group, and library names are not the names you want to use, you can change these default values by setting the following environment variables before you run the OpenVault `setup` command:

```
export OVDEFAULTDGROUP=DLT
export OVDEFAULTCGROUP=dlt
export OVDEFAULTLNAME=panther
```

6. To collect debugging information in the `/usr/OpenVault/var/OVLOG` file, enter the following command:

```
ov_msg -s -t core -m debug
```

Procedure 3-2 TMF Checklist

Modify the `tmf.config` file to support OpenVault in the `LOADER` statement. For information on the `tmf.config` file, see the `tmf.config(5)` man page.

1. Define a OpenVault loader:

```
type = OPENVAULT
```

2. Specify where the OpenVault server is running by entering the name of the host:

```
server = host_name
```

3. Either use the TMF default (`tmf`) for the OpenVault application name or specify a different name for TMF with the following parameter:

```
ov_tmf_application_name = tmf_application_name
```

4. Specify the pathname of the key file for TMF if the OpenVault security key is used:

```
ov_tmf_keyfile = keyfile_path_name
```

For more information on the key file and security key, see the *OpenVault Operator's and Administrator's Guide*.

Note: When TMF requests OpenVault to mount or unmount a cartridge (physical tape), TMF uses the physical cartridge label (PCL) as the external volume identifier for the `-v` option in the `tmmnt(1)` command.

For more information on `tmmnt(1)` usage, see the `tmmnt(1)` man page and the *IRIX TMF User's Guide*.

3.2.2 Perl Script for Commands

You can also use a Perl script to issue OpenVault commands shown in Example 3-5, page 29.



Caution: If you decide to use scripts, you should be sure they are doing what you intend.

Example 3-5 OpenVault Command Script

This script shows the drives on which you may mount a cartridge.

```
#!/usr/bin/perl -w          require 5.002;
use Socket;
use FileHandle;

$ov_server = `hostname`;
chop $ov_server;
$ov_port = "44444";

# Setup connection to OpenVault server process.
# See "Programming Perl" 2nd ED., page 498, for discussion
# on network programming with Perl.
$iaddr = inet_aton($ov_server) or die "no host: $ov_server";
$paddr = sockaddr_in($ov_port, $iaddr);
$proto = getprotobyname("tcp");
socket(SOCK, PF_INET, SOCK_STREAM, $proto) or die "socket: $!";
connect(SOCK, $paddr) or die "connect: $!";

SOCK -> autoflush();

# Once a connection is made to the OpenVault server
# process, it is treated just like any other file.
# Send initial data to server.
print SOCK "$ov_server\r\nntmf\r\nOnlyInstance\r\nCAPI\r\n0\r\n";

# Get response and ignore it.
# Response should only be 'ok'.
$line = <SOCK>;

# Send 'hello' greeting.
print SOCK "hello client['tmf']instance['onlyInstance']";
print SOCK "language['CAPI']versions['1.0'];\r\n";

$line = <SOCK>;
if (substr($line,0,7) eq "welcome") {
    # 'welcome' is the correct result.
}
elsif ( substr($line,0,9) eq "unwelcome") {
    # The server has rejected us.
```

```
        die "Server Not Allowing Request\n";
    }
    else {
        # Got an undefined answer from server.
        # We should not get here.
        die "Undefined Error\n";
    }

    # Send 'show' command.
    $ov_cmd = "show match[strEQ('123456' CARTRIDGE.'CartridgePCL')]
              report[DRIVE.'DriveName']
              reportmode[value]";
    $task_id = " task['66666'];\r\n";
    print SOCK $ov_cmd . $task_id;
    print $ov_cmd . $task_id;

    # Get command 'accepted' from server.
    $line = ;
    print $line;

    # Get command 'success' from server
    # along with results.
    $line = <SOCK>;
    print $line;
    # A non-trivial script would parse out the results
    # and display it in a more human readable form.

    print "Saying Goodbye to OV\n";
    print SOCK "goodbye task['1'];\r\n";

    # Get command 'accepted' from server.
    $line = ;

    # Get command 'success' from server.
    $line = <SOCK>;

    close(SOCK) or die "close: $!";
    exit;
```

3.3 Automatic Volume Recognition

Automatic volume recognition (AVR) is a TMF feature that allows TMF to recognize volumes mounted on drives prior to them actually being requested by applications, and it allows an operator to direct the mounting of tapes to specific devices.

Tape mount messages request that the operator mount a tape on a device in a device group. Upon receiving a message, you locate the tape and choose the device to be used.

The overcommit option is an extension to AVR. It allows you to set the number of outstanding mount requests to a number larger than the actual number of tape devices. It gives you additional flexibility in choosing which request to satisfy and on which device.

Note: Only those requests that cannot cause a device to deadlock are allowed into the overcommitted request process.

You may enable or disable the AVR and overcommit options on a global or on a specific device-group basis. Neither option is available to device groups that also contain devices serviced by a tape library (automatic loader).

When a device that has been configured to use AVR is configured up with the `tmconfig(8)` command, a child process, called `tmavr`, is created to monitor the device and wait for a volume to be mounted. When `tmavr` detects a mounted volume, the label and ring status information is sent to the TMF daemon. If `tmavr` cannot determine the volume label, an operator message is issued for the correct volume information to send to the TMF daemon. The child process waits for the TMF daemon to direct it to exit or look for a new volume to mount.

3.4 Message Daemon and Operator Interface

The message daemon and its associated operator interface provide mount messages for administrators and operators who are loading and unloading tapes. This section provides a brief overview of the daemon and interface.

3.4.1 Starting and Stopping the Message Daemon

You must have superuser privileges to start or stop the message daemon.

Start the message daemon prior to starting TMF by entering the following command:

```
/usr/tmf/bin/msgdaemon
```

To stop the message daemon, enter the following command:

```
/usr/tmf/bin/msgdstop
```

3.4.2 Messages

Only one message daemon can be running at any time. If you attempt to start the message daemon while it is already running, you will receive an error message.

All messages are logged by the message daemon as they are received. The logs are kept in the `msglog.log` log file in the `/var/spool/msg` directory. The `/etc/newmsglog` shell script, which resides in the `/usr/tmf/bin` directory, saves the last several versions of the log. The versions are called `msglog.log.0`, `msglog.log.1`, and so on, with `msglog.log.0` being the most recent. This script also instructs the message daemon to reopen the log file; it should be run from the `crontab(1)` command.

3.4.3 Commands

The message daemon request pipe is located in the `/var/spool/msg` directory.

Table 3-1 shows the message daemon commands and the permissions required to access them.

Table 3-1 Message Daemon Commands

Command	Permission	Description
<code>msgdaemon(8)</code>	Administrator	Starts the message daemon.
<code>msgdstop(8)</code>	Administrator	Stops the message daemon.

Command	Permission	Description
<code>oper(8)</code>	Administrator	Invokes the operator display; displays messages.
<code>msggr(1)</code>	All users	Sends action message to operator.

The operator display provided by the `oper(8)` command can be run from any terminal defined in the `/usr/lib/terminfo` file. It requires at least 80 columns and 24 lines. The three lines at the bottom of the operator display screen are used for input and for running commands that do not display information on the screen. The rest of the screen is used as a refresh display to display messages and to run other display commands.

The `$HOME/.operrc` configuration file lists the commands to be run as refresh displays and those that require full control of the screen. `$HOME` is the user's home directory. If this file does not exist, the default configuration file, `/usr/tmf/version/oper.rc`, is used.

Commands not listed in the configuration file are assumed to be nondisplay commands, which are also called action commands.

Table 3-2 describes two of the action commands available from the operator display:

Table 3-2 Operator Action Commands

Command	Description
<code>msgd(8)</code>	Displays action messages.
<code>rep(8)</code>	Replies to action messages.

Action messages that require replies from the operator are primarily tape mount messages, but they may be other types of messages to which users need responses. These messages are logged by the message daemon. An action message is deleted when the operator replies to it or the sender cancels it.

3.5 Starting and Stopping TMF

You can start and stop TMF automatically or explicitly.

3.5.1 Starting and Stopping TMF Automatically

Installing TMF does not enable starting TMF automatically at system startup. To enable automatic startup of TMF and the message daemon, execute the following `chkconfig(1m)` command as `root`:

```
chkconfig -f tmf on
```

To stop TMF from starting automatically at system startup, execute the following as `root`:

```
chkconfig -f tmf off
```

3.5.2 Starting and Stopping TMF Explicitly

If you chose not to use the `chkconfig(1m)` command, you can start and stop TMF with the `tmdaemon(8)` and `tmstop(8)` commands. You can also use these commands to stop and start TMF once it has been started automatically when the system is booted.

To start TMF explicitly, enter the following `tmdaemon(8)` command:

```
/usr/tmf/bin/tmdaemon
```

Options exist for the `tmdaemon(8)` command. For descriptions of these, see the `tmdaemon(8)` man page.

TMF is stopped by the following `tmstop(8)` command:

```
/usr/tmf/bin/tmstop
```

The `tmstop(8)` command has no options.

Table 3-3 shows these commands and the permissions required to access them.

Table 3-3 TMF Commands

Command	Permission	Description
<code>tmdaemon(8)</code>	Administrator	Starts TMF.
<code>tmstop(8)</code>	Administrator	Stops TMF.

3.6 Using `xfsdump` and `xfsrestore`

When you use the `xfsdump(1m)` command to dump files to tape, the command uses 262144 as the block size. As a result, you must issue the `tmmnt(1)` command with the `-v` option set to the number of volumes needed and the `-b` option set to 262144, which is 2^{18} .

When you are using TMF, `xfsdump(1m)` knows nothing about end of volume. If you expect the dump to occupy more than one tape volume, you must specify the volumes on the `tmmnt(1)` command with the `-v` option. If you specify multiple volumes, you do not really know how many `xfsdump(1m)` will use.

If you do not specify enough volumes to hold the dump, you will receive an error message. If this happens, you can restart the dump by issuing another `tmmnt(1)` command with the `-b` option set to 262144 and with additional volumes specified on the `-v` option. Then you enter a `xfsdump(1m)` command with the `-R` option to resume the interrupted dump session.

To restore tape files from dumps produced by `xfsdump(1m)`, use the `xfsrestore(1m)` command.

Troubleshooting

This chapter describes the following troubleshooting topics:

- Addressing drive, job, and daemon issues
- Using tracing
- Resolving common problems

4.1 Addressing Drive, Job, and Daemon Issues

Occasionally, you may experience problems with the hardware or the software while running magnetic tapes. If so, there are certain steps you should take to try to clear the user, job, tape drive, or the TMF daemon itself. This section describes those steps and identifies TMF daemon files that you may encounter.

4.1.1 Tape Drive or Job Problems

If a tape drive appears to be hung, but the TMF daemon is still responding to commands such as `tmstat(1)` and `tmgstat(8)`, you can use the `tmfrls(8)` command to clear the user's tape reservation. If this method does not work, try the `tmclr(8)` command.

If the problem appears to be hardware related, free the user by the preceding method (check the result with the `tmstat(1)` command). Then configure the drive down with the `tmconfig(8)` command, and discuss the problem with the appropriate hardware personnel.

4.1.2 TMF Daemon Problems

If the TMF daemon (see `tmdaemon(8)`) is hung (that is, no tapes are moving nor are there any responses from any tape commands), you must take the TMF daemon down. First try the `tmstop(8)` command. If this command does not work, determine the process identifier of the TMF daemon (by using the `ps(1)` command), and enter the following `kill(1)` command:

```
kill -2 pid
```

The *pid* argument of the `kill(1)` command is the process identifier of `tmdaemon(8)`. If the previous command does not work, enter the following:

```
kill -9 pid
```

4.1.3 Pertinent TMF Files

A number of files throughout the system relate to tapes. This section deals with those files specific to the TMF daemon.

All of the following TMF commands and processes reside in the `/usr/tmf/bin` directory:

- **Commands:** `tmcatalog(1)`, `tmclr(8)`, `tmcollect(8)`, `tmconfig(8)`, `tmdaemon(8)`, `tmfrls(8)`, `tmgstat(8)`, `tmlabel(8)`, `tmlist(1)`, `tmmls(8)`, `tmmnt(1)`, `tmmql(8)`, `tmrls(1)`, `tmrst(1)`, `tmrsv(1)`, `tmset(8)`, `tmstat(1)`, `tmstop(8)`, `tmunld(8)`
- **Processes:** `esinet`, `fesdex`, `fesnet`, `ibmnet`, `stknet`, `tmavr`, `tmdaemon`, `tmssp`

During the course of its activity, the TMF daemon and its components write a number of trace files, which are located in the `/usr/spool/tmf/trace` directory. Table 4-1, page 39, describes this subset, and Example 4-1, page 39, shows how you use the `tmstat(1)` command to identify a `tmfxxx` file.

Table 4-1 TMF Trace Files

File	Description
<i>avr_device_name</i>	Each <code>tmavr</code> process records events in a trace file based on the device name it is monitoring. If AVR is active for the <code>s4781s0</code> device, the relevant trace entries for the <code>tmavr</code> process are in <code>avr_s4781s0</code> .
<code>daemon</code>	This file contains all activity traced by the TMF daemon. It is the main TMF daemon trace file. The <code>tmset(8)</code> command must be issued with the <code>-T</code> option set to <code>off</code> in order to disable tracing and may impact problem diagnosis as minimal tracing may not provide enough information to resolve problem situations. A site must weigh the benefits of disabling tracing against the potential drawbacks. Disabling tracing does enable the TMF daemon to run more efficiently.
<code>daemon.stdout</code> , <code>daemon.stderr</code>	These files contain any information that goes to standard output or error. They are in the <code>/usr/spool/tmf</code> directory. The <code>daemon.stderr</code> file is especially helpful in tracking down problems as it contains error messages as well as informational messages pertaining to various administrative commands.
<code>ldrname</code>	Each media loader also has its own trace file. The name of this file corresponds to the loader name as defined in the <code>tmf.config</code> file.
<code>tmfxxx</code>	Once a tape is assigned a drive, subsequent traces specific to that process are logged in a <code>tmfxxx</code> file. The final three characters of the trace file can be determined from the <code>stm</code> field of the <code>tmstat(1)</code> command.

Example 4-1 `tmstat` Output

In this `tmstat` output, the traces for drive `s4781s0` are in the `tmf002` file. Leading zeros are added to the stream number to make it a 3-character number to create the `tmfxxx` file name.

```
armadillo%>tmstat
      user      sess  group  a stat device  stm rl ivsn  evsn  blks  NQSid
          STK9490 - idle s9490s4
          STK9490 - idle s9490s1
      bar      3854  STK4781 - assn s4781s0  2 is 002335 002335  1
          STK4781 - idle s4781s1
```

```
STK4781 - idle s4781s2
```

```
STK4781 - idle s4781s3
```

```
STK4781 - idle s4781s4
```

In addition, communication pipes are maintained within the `/usr/spool/tmf` directory. If the TMF daemon abnormally terminates, its core file is also saved in the directory.

The message daemon logs can provide insight into tape problems. These log files are generally saved and maintained in the `/usr/spool/msg` directory. All operator interaction is saved in the `msglog.log` file. In addition, a debug log for the message daemon is in the `dbglog.log` file.

4.2 Using Tracing

Using tracing can help identify and resolve tape problems. The `tmcollect(8)` utility enables you to collect the trace information needed.

4.2.1 `tmcollect` Utility

The `tmcollect(8)` utility collects TMF information. A user with `root` permission may run this script when a tape-related problem occurs. The information is placed in a separate directory so that it can be easily packaged and shipped for offline analysis. For the collected information to be of optimal use, TMF tracing should be enabled. For more information about this administration command, see the `tmcollect(8)` man page.

Before anything is copied to the information directory, the `tmcollect(8)` utility attempts to determine whether the TMF daemon is in its normal state, and if not, runs a few checks for known hang situations.

The `tmcollect(8)` utility should be executed to gather information once trouble with the TMF daemon is suspected prior to attempting to terminate the TMF daemon.

4.2.2 Tracing

TMF tracing is turned on by default. All child processes created by the TMF daemon have tracing enabled. While tracing is a very important tool for debugging TMF problems, it uses additional CPU time. Tracing can be turned on and off by issuing the `tmset(8)` command. To turn tracing off, enter the following command:

```
tmset -T off
```

To turn tracing on, enter the following command:

```
tmset -T on
```

If the stability of TMF at a site has been established, tape tracing may be unnecessary overhead. The CPU cycles saved by turning tracing off depends on the mix of jobs submitted, because some tape operations generate more trace information than others.

When tracing is turned off, the TMF daemon and its child processes still trace entry to and exit from child processes and abnormal termination of tape processes. Abnormal terminations include those induced by the operator and terminations caused by errors within TMF. A tape mount request canceled by an operator or interrupted user job is considered an abnormal termination induced by the operator.

The option of turning TMF tracing off allows sites at which TMF is stable to reduce substantially the system and user time used by the TMF daemon. This gain in system and user time must be weighed with the knowledge that some error information and all trace information will be lost in case of a TMF daemon problem.

The only way to analyze a problem is to turn tracing on, resubmit the job, and collect traces when the problem reappears.

4.2.3 Sample Trace Analysis

To obtain a complete picture of a problem, save trace information as soon as possible after you identify an error situation. You can use the `tmcollect(8)` utility to aid in the data gathering process.

This utility saves all the pertinent trace files in `/var/spool/tmf`. If the TMF daemon is not hung, the TMF command output is also saved. When you execute the utility, you are asked to comment on how the system was behaving at the time `tmcollect(8)` was run.

All of the trace files are circular. For instance, if a particular tape drive is hung, by the time it is noticed the TMF daemon trace has probably been overwritten. However, the

F Provides detailed trace information about the entry.

4.3 Resolving Common Problems

This section identifies some common tape problems that you may encounter and some possible solutions.

4.3.1 TM003 - Resource *group_name* is not available

This error indicates that you issued a `tmrsv(1)` command for a device group that does not exist, or that you attempted to reserve more devices than are currently configured up.

4.3.2 TM060 - Waiting for device *device_name*

This message is returned when a `tmmnt(1)` command has been issued, but has not yet been satisfied because a requested device type is not available. The command will be satisfied once a device is made available either by the operator configuring one up or by a currently running job releasing its resources.

4.3.3 TM064 - File *file_name* could not be found on volume *vsn*

This error is returned when the file specified with the `-f` parameter on the `tmmnt(1)` command (or `-p` if `-f` is not present) does not exist on a labeled tape. When a labeled tape is created, the lower 17 characters specified by the `-f` (or `-p`) parameter are written into the HDR1 label. Subsequent attempts to read that tape file must include the correct file identifier. The file identifier is not checked if the `check_file_id` option is set to `NO` in the `tmf.config` file.

Man Page List

This appendix provides a list of the TMF man pages. Man pages exist for the user commands, devices (special files), file formats, miscellaneous topics, and administration commands.

Individual man pages are available online and can be accessed by using the `man(1)` command as shown in the following example:

```
% man tmstat
```

You can print copies of online man pages by using the pipe symbol with the `man(1)`, `col(1)`, and `lpr(1)` commands. In the following example, these commands are used to print a copy of the `tmstat(1)` man page:

```
% man tmstat | col -b | lpr
```

Each man page includes a general description of one or more commands, system calls, or other topics, and provides usage details (command syntax, parameters, and so on).

The following five categories of man pages exist:

- User commands

```
msgr(1)
tmcatalog(1)
tmlist(1)
tmmnt(1)
tmrls(1)
tmrst(1)
tmrsv(1)
tmstat(1)
```

- Devices (special files)

```
tmfdaem(4)
```

- File formats

```
tmf.config(5)
tmfctl(5)
tmftrace(5)
```

- Miscellaneous topics

tmf(7)

- Administration commands

msgd(8)

msgdaemon(8)

msgdstop(8)

newmsglog(8)

oper(8)

rep(8)

tmclr(8)

tmcollect(8)

tmconf(8)

tmconfig(8)

tmdaemon(8)

tmfrls(8)

tmgstat(8)

tmlabel(8)

tmmls(8)

tmmq1(8)

tmset(8)

tmstop(8)

tmunld(8)

tmf.config Man Page

The `tmf.config(5)` man page is provided below for your reference during the initial system startup. The EXAMPLES section is also shown in Example 2-1, page 5.

For information on displaying and printing the `tmf.config(5)` page once your system is running, see Appendix A, page 45.

`tmf.config(5)` `tmf.config(5)`

NAME

`tmf.config` - TMF configuration file

IMPLEMENTATION

SGI IRIX systems licensed for the Tape Management Facility (TMF)

DESCRIPTION

The system uses a Tape Management Facility (TMF) configuration file named `tmf.config` in the `/etc/config` directory. This file defines all of the tape devices that the system uses.

The TMF configuration file consists of comments (optional) and statements. A comment begins with the `#` symbol and continues to the end of line. A statement consists of a name followed by a list of keyword parameters. There are four statements; one of these statements also consists of substatements. Statements must be in the order shown:

1. LOADER statements (one per loader)
2. DEVICE_GROUP statements (one per device group)
3. AUTOCONFIG statement (one per system)

The AUTOCONFIG statement consists of DEVICE statements.

DEVICE statements (one per device)

DEVICE statements define devices that TMF will control and that are automatically configured during the system boot.

4. OPTIONS statement (one per system)

Statement Syntax Rules

The following syntax rules apply to tmf.config statements:

- * The statement name and its parameters are separated by one or more white spaces (blank, tab, or newline characters).
- * Adjacent parameters are separated by a comma.
- * The end of the parameter list is indicated by the absence of a comma.
- * Adjacent statements are separated by one or more white spaces.

The following is a list of keyword parameter syntax rules:

- * The keyword is separated from its value by the = symbol.
- * The value of a keyword may consist of keywords, numbers, character strings, and lists of keywords, numbers, and character strings.
- * If the value of a keyword is a list, the list is enclosed within left and right parentheses. Adjacent elements of a list are separated by a comma. If the list consists of one element, you do not have to enclose it in parentheses. The elements of a list may be lists.
- * Numbers may be specified in decimal, octal, and hexadecimal formats. These formats are the same as those used in the C programming language:

Decimal	First digit is not 0 (1372)
Octal	First digit is 0 (0563)
Hexadecimal	First 2 characters are either 0x or 0X (0xf2)

- * Character strings are series of characters. If any one of the special characters (white space, ", #, =, {, }, (,), ', \) is needed in the string, you must enclose the string in a pair of double quotation marks ("). Within a pair of double quotation

marks, the sequence of characters will be replaced by x; x is any character. This is the only way you can specify a " and a \ in a quoted string.

* Comments may appear between any symbols described previously.

You can code the names of statements and keywords in a mixture of uppercase and lowercase letters. The values specified by the user is case sensitive. The following specify the same thing:

```
Name = A
name = A
```

The following are different:

```
name = A
name = a
```

The following are descriptions of the tape configuration statements. You must specify a value for each parameter unless a default is specified or the parameter is described as optional.

LOADER Statement

The LOADER statement identifies the loaders in the tmf.config file and has the following format:

```
LOADER parameter_list
```

A description of the parameters follows:

Parameter	Description
loader_ring_status = status	Specifies whether the loader is alerted to ring status.
ALERT	Alerts loader to the ring status when a tape is mounted, and checks that the

		ring status matches the ring status requested by the tape user.
	IGNORE	Ignores the ring status when a tape is mounted. A logical ring out status is used for a tape that has been requested with a ring out status, but its actual ring status is ring in. The default is ALERT.
message_path_to_loader = path		Specifies the message path to the servicing loader.
	MSGDAEMON	Uses message daemon to send message to loader.
	NETWORK	Uses TCP/IP protocol to send message to loader.
message_route_masks = location		Routes mount request messages. You can route the mount request message to multiple locations. The list may consist of the following:

	FRONTEND	Issues the mount message to the front end that may be reached through a TPC/IP connection.
	SERVER	Issues the mount message to the server station.
	IRIX	Issues the mount message to the message daemon. For more information, see <code>msgdaemon(8)</code> .
<code>mode = value</code>		Specifies attended mode:
	ATTENDED	Prompts for operator intervention.
	UNATTENDED	Assumes negative response for operator intervention.
<code>name = name</code>		Specifies the loader name, which is the object of several <code>tmconfig(8)</code> requests.
<code>network_retry_tries = number</code>		Specifies the number of times the TMF loader child program

attempts to send a request over the network to the server after an initial attempt fails. The default for each child program is 5.

`network_send_timeout = number` Specifies the time in seconds during which the TMF loader child program tries to send a request over the network to the server. The default for each child program is 3 seconds.

`ov_tmf_application_name = tmf_application_name` Specifies the OpenVault application name for TMF. The default is tmf.

`ov_tmf_keyfile = keyfile_path_name` Specifies the pathname of the OpenVault key file for TMF. You specify this parameter only if your site is using the OpenVault security key.

The key file specifies the security key for TMF when it initiates a session with OpenVault.

For example, if OpenVault is running on citron, the application name of TMF is tmf and the security key is Zyh3wi, the key file contains the following line:

```
citron tmf * CAPI Zyh3w
```

For more information on the key file and security key, see

the OpenVault Operator's and Administrator's Guide.

`queue_time = seconds`

Each volume has a designated "best" loader type for the tape mount. If the best loader is not available, this time is used to queue the tape mount request and to wait for the best loader to become available. If the best loader does not become available during this time, the mount request will be issued to the next best loader.

A value of 0 indicates to wait up to 24 hours; a nonzero value specifies the number of seconds to wait.

`return_host = host_name`

Specifies the name of the IRIX host that serves as the return address for the server. This parameter is only used if it is set; there is no default.

`scratch_volume_label_type = scratch_type`

Specifies the types of scratch requests that the loader may process. If you specify OPERATOR for the type parameter on the LOADER statement, the following types of scratch requests are available. If you specify any other loader type for the type parameter, only NONE is valid.

AL ANSI labeled scratch tape requests.

	NL	Nonlabeled scratch tape requests.
	NONE	Scratch labels cannot be used.
	SL	IBM standard labeled scratch requests.
<code>server = server_name</code>		Specifies the server name. If you specify OPENVAULT as type, the server name is the name of the host where OpenVault is running.
<code>server_reply_wait_time = number</code>		Specifies the time in seconds during which a request that is being processed by the server is kept in a queue by the TMF loader child program. If a reply has not been received within this time, the child program queries the state of the outstanding request. The default value for each child program is 180 seconds. For a StorageTek library, this value is multiplied by the number of Library Storage Modules in the Automated Cartridge System.
<code>status = status</code>		Specifies the status (UP or DOWN) of the loader when TMF starts.
<code>type = type</code>		Specifies the loader type. Currently, supported types are

as follows:

EMASS	An EMASS Grau library running VolServ is used.
IBMTLD	IBM 3494 Tape Library Dataserver is used.
OPERATOR	Operator loads the drive.
STKACS	A StorageTek library that is supported by a SGI system running the IRIX operating system is used.
OPENVAULT	OpenVault, a storage library management facility, is used.

You must specify at least one OPERATOR type loader in the TMF configuration file. If the file does not contain such an entity, TMF in its initialization process creates one assuming the following values:

```
LOADER
name = Operator ,
type = OPERATOR ,
```

```
status = UP ,  
message_PATH_TO_LOADER = MSGDAEMON ,  
server = " " ,  
scratch_volume_label_type = NONE ,  
queue_time = 1 ,  
verify_non_label_vsn = YES ,  
message_route_masks = IRIX ,  
mode = ATTENDED ,  
return_host = " "
```

verify_non_label_vsn = value Specifies whether the nonlabel
VSN should be verified. value
may be either YES or NO.

DEVICE_GROUP Statement

The DEVICE_GROUP statement has the following format:

```
DEVICE_GROUP parameter_list
```

A description of the parameters follows:

Parameter	Description
avr = value	Specifies whether this device group uses the automatic volume recognition (AVR) feature of TMF. To do so, the device group must be associated with the OPERATOR type in the LOADER statement. This optional parameter may be either YES or NO; omission implies NO.
name = name	Specifies the device group name.
overcommit = value	Specifies whether this device group uses the overcommit feature. This optional parameter may be either YES or

NO; omission implies NO.

AUTOCONFIG Statement

The AUTOCONFIG statement is made up of DEVICE statements, one for each device in the system.

DEVICE Statement

The DEVICE statement specifies the characteristics of a device and has the following format:

```
DEVICE parameter_list
```

A description of the parameters follows:

Parameter	Description
device_group_name = device_group_name	Specifies the name of the device group defined by a DEVICE_GROUP statement.
file = file	Specifies the path name of the device specific file.
loader = loader	Specifies the loader name defined in a LOADER statement.
name = name	Specifies the device name.
status = status	Specifies the initial status (UP or DOWN) of the device.
vendor_address = vendor_address	Specifies the vendor address of the drive in a library. The format for a StorageTek drive is as follow: acs#,lsm#,panel#,drive# The format for an EMASS Grau VolServ drive is as follows:

drive#

OPTIONS Statement

The options in force when TMF is built are specified in the /usr/include/tmf/tmfdefaults.h file. You can specify most of these options in the OPTIONS section of the tmf.config file.

To override the value with which TMF was built, specify the following options and their corresponding values. The options that you can specify in the tmf.config file with the OPTIONS statement are similar to the options in tmfdefaults.h, but not identical. Values are often given in a different form in the two files (for example, the value for the ask_blp keyword is expressed as 0 or 1 in tmfdefaults.h, but it is expressed as YES or NO in tmf.config).

The format of the OPTIONS statement follows:

OPTIONS parameter_list

The following parameter list includes valid values or brief definitions of the options.

Parameter	Description
ask_label_switch = value	Seeks permission (YES or NO) from the operator to switch label type. Default: YES
ask_vsn = value	Seeks permission (YES or NO) from the operator to specify a VSN when a nonlabel tape is mounted. Default: YES
blp_ring_status = value	Specifies the user status for the use of the -r option of the tmmnt(1) command when the user requests bypass label

	processing. UNRESTRICTED specifies the user can use both -r in and -r out. OUT specifies the user can use only -r out. Default: UNRESTRICTED.
blocksize = size	Specifies the maximum block size to use when the user does not specify a maximum block size by using the tmmnt(1) command -b option. Default: 32768
check_expiration_date = value	Specifies whether the operator should check and confirm (YES or NO) the expiration date on the header label of a labeled tape. Default: YES
check_file_id = value	Specifies whether the file identifier on a labeled tape should be checked (YES or NO) when the file is opened. Default: YES
check_protection = value	Specifies whether the protection flag on the header should be checked (YES or NO). Default: NO
check_vsn = value	Specifies whether the VSN on labeled tapes should be checked (YES or NO). Default: YES
device_group_name = name	Specifies the default

	device group name if it is not specified on the -g option of the tmmnt(1) command. Default: CART
fes_daemon_frontend_id = identifier	Specifies the front-end identifier of the TCP daemon. Default: " "
fes_daemon_socket_port_number = number	Specifies the socket port number of the TCP daemon. Default: 1167
file_status = status	Specifies the file status (NEW or OLD) if it is not specified on the tmmnt(1) command. Default: OLD
label_type = type	Specifies the label type (AL, SL, or NL) if it is not specified on the tmmnt(1) command. Default: AL
loader_device_assignment_order = method	Specifies the method (DEVICE_LIST or ROUND_ROBIN) with which the loader assigns devices. Default: ROUND_ROBIN
max_number_of_tape_users = number	Specifies the maximum number of tape users. Default: 100
number_of_autoloader_retries = number	Specifies the number of times to try to send a request to the library before informing the operator of an error. Default: 10

<code>operator_message_destination = value</code>	Specifies where operator messages are sent; IRIX, SERVER, and FRONTEND. Default: (IRIX)
<code>operator_message_frontend_id = identifier</code>	Specifies the front-end identifier for operator messages. Default: " "
<code>overcommit_max = value</code>	Specifies the maximum number of overcommitted mount requests that TMF can issue. When the number of tape mount requests exceeds this number, the system stops processing requests until one or more of the already overcommitted mount requests are satisfied. To change this setting, see the <code>tmset(8)</code> command. Default: 20
<code>retention_period_days = days</code>	Specifies the retention period (in days). Default: 0
<code>ring_status = status</code>	Specifies the ring status when the ring option (-r) is not specified on the <code>tmmnt(1)</code> command (IN, OUT, or (IN,OUT)). Default: (IN,OUT)
<code>scratch_volume_retries = number</code>	Specifies the number of retries to get a scratch volume mounted. Default: 3

<code>scratch_volume_vsn = vsn</code>	Specifies the scratch tape VSN. Default: ??????
<code>servicing_frontend_id = identifier</code>	Specifies the servicing front-end identifier to use when the -m option is missing on the tmmnt(1) command. Default: " "
<code>servicing_frontend_mandatory = value</code>	Specifies whether the front-end identifier specified by the <code>servicing_frontend_id</code> parameter is used (YES or NO) regardless of the -m option on the tmmnt(1) command. Default: NO
<code>system_code = value</code>	Specifies the system code to put on tape labels. Default: SGI/IRIX
<code>tmf_major = number</code>	Specifies the major device number of the TMF driver. Default: 261
<code>trace_file_group_id = identifier</code>	Specifies the group identifier of the TMF trace files. Default: 3
<code>trace_file_mode = mode</code>	Specifies the file mode of the TMF trace files. Default: 0640
<code>trace_file_owner = identifier</code>	Specifies the owner identifier of the TMF trace files. Default: 0
<code>trace_directory = value</code>	Specifies the TMF trace

	file prefix. Default: /var/spool/tmf/trace
trace_file_size = size	Specifies the size (in bytes) of the TMF trace files. Default: 409600
trace_state = value	Specifies whether tape tracing is enabled (ON or OFF). Default: ON
trace_save_directory = value	Specifies the prefix to the TMF save files. Default: /var/spool/tmf/trace_save
user_exit_mask = value	Enables the use of the listed user exits. If no user exits are required, this entry is not needed. For a list of user exits, see the IRIX TMF Release and Installation Guide. Default: UEX_NONE
verify_scratch_vsn = value	Indicates (YES or NO) that you may need to send the operator a message that requests verification that a scratch tape is being used to satisfy a tape mount request. You must consult the operator if front-end servicing is not in use. Default: YES

EXAMPLES

The following example shows the sample tmf.config file that is shipped with TMF.

```
#  
#     TAPE MANAGEMENT FACILITY CONFIGURATION FILE  
#  
#  
#
```

```
LOADER  
    name = operator ,  
    type = OPERATOR ,  
    status = UP ,  
    mode = ATTENDED ,  
    message_path_to_loader = MSGDAEMON ,  
    server = IRIX ,  
    scratch_volume_label_type = (AL,NL,SL) ,  
    queue_time = 0 ,  
    verify_non_label_vsn = YES ,  
    message_route_masks = (IRIX) ,  
    loader_ring_status = ALERT
```

```
LOADER  
    name = wolffy ,  
    type = STKACS ,  
    status = DOWN ,  
    mode = ATTENDED ,  
    message_path_to_loader = NETWORK ,  
    server = wolfcreek ,  
    scratch_volume_label_type = NONE ,  
    queue_time = 15 ,  
    verify_non_label_vsn = NO ,  
    message_route_masks = (IRIX) ,  
    loader_ring_status = IGNORE
```

```
LOADER  
    name = panther ,  
    type = STKACS ,  
    status = DOWN ,  
    mode = ATTENDED ,  
    message_path_to_loader = NETWORK ,  
    server = stk9710 ,  
    scratch_volume_label_type = NONE ,
```

```
queue_time = 15 ,  
verify_non_label_vsn = NO ,  
message_route_masks = (IRIX) ,  
loader_ring_status = IGNORE
```

LOADER

```
name = esys ,  
type = EMASS ,  
status = DOWN ,  
mode = ATTENDED ,  
message_path_to_loader = NETWORK ,  
server = esisun ,  
scratch_volume_label_type = NONE ,  
queue_time = 15 ,  
verify_non_label_vsn = NO ,  
message_route_masks = (IRIX) ,  
loader_ring_status = IGNORE
```

LOADER

```
name = tmfov ,  
type = OPENVAULT ,  
server = armadillo ,  
status = down ,  
mode = ATTENDED ,  
message_path_to_loader = NETWORK ,  
ov_tmf_application_name = tmf ,  
scratch_volume_label_type = NONE ,  
queue_time = 15 ,  
verify_non_label_vsn = NO ,  
message_route_masks = (IRIX) ,  
loader_ring_status = IGNORE
```

DEVICE_GROUP

```
name = CART  
avr = YES
```

DEVICE_GROUP

```
name = DLT
```

DEVICE_GROUP

```
        name = EMASS

DEVICE_GROUP
    name = STK9490

AUTOCONFIG
{
    DEVICE
        name      = t1 ,
        device_group_name = CART ,
        file      = /hw/tape/tps3d1 ,
        status   = DOWN ,
        loader    = wolfy ,
        vendor_address = (0,0,1,1)

    DEVICE
        name      = t4 ,
        device_group_name = CART ,
        file      = /hw/tape/tps3d4 ,
        status   = DOWN ,
        loader    = wolfy ,
        vendor_address = (0,0,1,0)

    DEVICE
        name      = dlt2 ,
        device_group_name = DLT ,
        file      = /hw/tape/tps5d2 ,
        status   = DOWN ,
        loader    = panther ,
        vendor_address = (1,0,2,0)

    DEVICE
        name      = dlt3 ,
        device_group_name = DLT ,
        file      = /hw/tape/tps5d3 ,
        status   = DOWN ,
        loader    = panther ,
        vendor_address = (1,0,2,1)

    DEVICE
        name      = ed0 ,
        device_group_name = EMASS ,
        file      = /hw/tape/tps10d0 ,
        status   = DOWN ,
        loader    = esys ,
```



```

        vendor_address = (1)
DEVICE
    name      = s9490s4 ,
    device_group_name = STK9490 ,
    file      = /hw/tape/tps22d4 ,
    status    = down ,
    vendor_address = (0,0,1,0),
    loader    = tmfov
DEVICE
    name      = s9490s1 ,
    device_group_name = STK9490 ,
    file      = /hw/tape/tps22d1 ,
    status    = down ,
    vendor_address = (0,0,1,1),
    loader    = tmfov
}
OPTIONS
ask_label_switch      = YES ,
ask_vsn               = YES ,
blocksize             = 32768 ,
blp_ring_status       = UNRESTRICTED ,
check_expiration_date = YES ,
check_file_id         = YES ,
check_protection      = YES ,
check_vsn             = YES ,
device_group_name     = CART ,
fes_daemon_frontend_id = "mvs" ,
fes_daemon_socket_port_number = 1167 ,
file_status           = OLD ,
label_type            = AL ,
loader_device_assignment_order = ROUND_ROBIN ,
max_number_of_tape_users = 100 ,
number_of_autoloader_retries = 10 ,
operator_message_destination = (IRIX) ,
operator_message_frontend_id = " " ,
overcommit_max        = 20
retention_period_days = 0 ,
ring_status           = (IN,OUT) ,
scratch_volume_retries = 0 ,
scratch_volume_vsn    = ?????? ,

```

B: tmf.config Man Page

```
servicing_frontend_id      = " " ,
servicing_frontend_mandatory = NO ,
system_code                = SGI/IRIX ,
tmf_major                  = 261 ,
trace_file_group_id       = 3 ,
trace_file_mode            = 0640 ,
trace_file_owner           = 0 ,
trace_directory            = /var/spool/tmf/trace ,
trace_file_size            = 409600 ,
trace_state                = ON ,
trace_save_directory       = /var/spool/tmf/trace-save ,
user_exit_mask             = UEX_STOP ,
verify_scratch_vsn        = NO
```

FILES

```
/etc/config/tmf.config      TMF configuration file

/usr/include/tmf/tmfdefaults.h  Default TMF values

/usr/include/tmf/tmfreq.h      TMF interface definition file
```

SEE ALSO

msgdaemon(8), tmconf(8), tmconfig(8), tmmls(8)

IRIX TMF Administrator's Guide

IRIX TMF Release and Installation Guide

Index

A

Accounting 18
ACSL software interface 19, 20
Action messages 33
Administration commands
 man page list 45
 summary 1
 TMF files 38
Applications 25, 28
Attended mode 21
AUTOCONFIG statement 5, 11, 14
Automatic loaders
 See "Libraries" 19
Automatic volume recognition 3, 31, 38
AVR
 See "Automatic volume recognition" 31
avr_device_name file 38

B

bypasslabel permission 16

C

Cartridge groups 25
Cartridges 25, 28
Character strings 15
Character-special tape interface 1
Checklists
 OpenVault 24
 TMF 28
chkconfig command 34
Clients 25
Commands

 See "Man pages" 45
 See also "Administration commands" 1
 See also "Message daemon" 32
 TMF files 38
Comments 15
Common problems 43
Communication 19
Comprehensive system accounting 18
Configuration
 See "TMF configuration file" 5
Configuration file
 See "TMF configuration file" 1
Controlled Path Service software interface . . . 19
Core file 40
CPS
 See "Controlled Path Service software interface" 19
crontab command 32
CSA
 See "Comprehensive system accounting" . . 5, 18
CSA command 18
CSI_TCP_RPCSERVICE 20
CSI_UDP_RPCSERVICE 20

D

daemon file 41, 42
daemon.stderr file 38, 42
daemon.stdout file 38
datamanager permission 16
dbglog.log file 40
Debugging tools 41
Decimal coding 15
Device groups 21, 25
Device organization 21
DEVICE statement 5, 12, 14
DEVICE_GROUP statement 5, 11, 14, 17

Devices (special files) man pages 45
 Domains 16
 Drive groups 25
 Drive problems 37
 Drives
 OpenVault configuration 24
 sample mounting script 29
 Dumping files 35

E

Editing files 5, 14
 EMASS libraries
 general command flow 19
 installation information 21
 software interface 21
 support 21
 VolServ software interface 21
 Environment variables
 OVDEFAULTCGROUP 27
 OVDEFAULTDGROUP 27
 OVDEFAULTLNAME 27
 Error messages 38, 43
 esinet
 file 38
 process 21
 trace files 42
 EXIT function 42

F

FES
 See "Front-end serving" 1
 fesdex file 38
 fesnet file 38
 File format man pages 45
 Files 38
 FLEXlm license 1, 14
 Front-end serving 1
 FUNC function 41

Function traces 42

H

Hexadecimal coding 15
 hosts man page 21

I

IBM libraries
 general command flow 19
 installation information 21
 software interface 20
 support 20
 ibmnet
 file 38
 process 20
 trace files 42
 Informational messages 38
 Interfaces 1

J

Job limits 5, 16
 Job problems 37

K

Key authorization files 25
 Key files 28
 Keys 25, 28
 Keywords 15
 kill command 37

L

ldrname file	38
Libraries	
automatic volume recognition	31
general configuration	19
specific products	20
Library management facility	22
License	14
LOADER statement	5, 10, 14, 28
Loaders	10, 19, 22
See also "Libraries"	10
Logs	40

M

Main routine	42
man command	45
Man pages	
manual introduction	1
printing	45
tmf.config man page	47
usage	45
Message daemon	31, 40
Messages	43, 42
Miscellaneous topics man pages	45
Mixed device environment	21
Mounting tapes	31
msgd command	1, 33, 45
msgdaemon command	2, 32, 45
msgdstop command	2, 32, 45
msglog.log file	40
msgr command	32, 45

N

newmsglog command	2, 45
Nonlabelled tapes	17

O

Octal coding	15
OpenVault	
commands	26, 28
configuration	22
oper command	2, 32, 45
Operator interface	33
OPTIONS statement	5, 13, 41
OVDEFAULTCGROUP variable	27
OVDEFAULTDGROUP variable	27
OVDEFAULTLNAME variable	27
overcommit option	31

P

PCLs	
See "Physical cartridge labels"	26
Perl script	28
Physical cartridge labels	26, 28
Problems	37
Processes	38
ps command	37

R

Real clock time	42
rep command	2, 33, 45
RETURN function	42
rwnonlabel permission	16

S

Security keys	25, 28
Servers	25, 28
Starting TMF	
automatic method	34
explicit method	34

Statement syntax rules 15
Statements 1, 14
stknet
 file 38
 process 20
 trace files 42
Stopping TMF
 automatic method 34
 explicit method 34
Storage library management facility 22
StorageTek libraries
 general command flow 19
 installation information 21
 software interface 20
 support 20
Syntax rules 1, 15

T

Tape cartridge access 22
Tape interfaces 1
Tape Management Facility
 See "TMF administration" 1
Tape mounting 31
Tape troubleshooting 1, 37
tape.h file 42
TCP/IP support 21
tmavr process 31, 38
tmcatalog command 38, 45
tmclr command 2, 37, 38, 45
tmcollect
 command summary 2
 man page 45
 sample trace analysis 41
 TMF file 38
 usage 40
tmconf command 2, 45
tmconfig command 2, 37, 38, 45
tmdaemon
 accounting 18
 command summary 2

 man page 45
 starting TMF 34
 TMF daemon problems 37
 TMF file 38
 trace information 42
TMF administration 1
TMF configuration file
 DEVICE_GROUP statement 17
 library installation 21
 manual introduction 1
 See also "DEVICE_GROUP statement" 17
 See also "tmf.config man page" 47
 statements 14
 troubleshooting tracing 41
 usage 5
TMF daemon
 device traces 42
 files 38
 problems 37
 troubleshooting 37
tmf man page 45
tmf.config
 file 5, 43
 man page 1, 5, 41, 45
 OpenVault support 28
 reprint 47
tmfctl man page 45
tmfdaem man page 45
tmfcls command 2, 37, 38, 45
tmftrace man page 45
tmfxxx file 38, 42
tmgstat command 2, 37, 38, 45
tmlabel command 2, 38, 45
tmlist command 38, 45
tmmls command 2, 38, 45
tmmnt command 45
 common problems 43
 OpenVault cartridges 28
 TMF files 38
 xfsdump usage 35
tmmql command 3, 38, 45

tmrls command 38, 45
 tmrst command 38, 45
 tmrsv command 38, 43, 45
 tmset command 3, 38, 41, 45
 tmssp file 38
 tmstat command 37, 38, 45
 tmstop
 command summary 3
 man page 45
 stopping TMF 34
 TMF daemon problems 37
 TMF file 38
 tmunld command 3, 38, 45
 Trace analysis 41
 Trace files 38
 trace_file_size option 41
 Troubleshooting topics 37

U

ULDB
 See "User limits database" 16
 Unattended mode 21
 User commands 38, 43, 45
 User limits database 16
 /usr/OpenVault/etc/ov_envron file 27

/usr/OpenVault/var/core_keys file 25
 /usr/OpenVault/var/OVLOG file 27
 /usr/spool/msg directory 40
 /usr/spool/tmf directory 38
 /usr/spool/tmf/trace directory 38
 /usr/tmf/bin directory 38

V

/var/spool/tmf file 41
 vi editor 14
 VolServ software interface 19, 21
 vsnext.c module 22

W

Wall clock time 42

X

xfsdump command 35
 xfsrestore command 35