
Installation of the PCIX-SCSI-U4-2P in PCI Card Carrier

To install the PCIX-SCSI-U4-2P (a half-height PCI card) in a PCI carrier, you need the following items:

- PCI card carrier assembly (P/N 013-2614-002)
- PCI card bracket (P/N 040-4392-001)
- Four 2-56 x 1/4 PNH PHH screws (included in kit)
- PCIX-SCSI-U4-2P
- #1 phillips screw driver
- T8 ballpoint TORX driver (P/N 7260654)



Caution: Observe electrostatic discharge (ESD) precautions during the entire procedure to eliminate possible ESD damage to the equipment. Wear an SGI-approved wrist strap when you handle an ESD-sensitive device to eliminate possible ESD damage to equipment. Connect the wrist strap cord directly to earth ground.

Note:

If the PCIX-SCSI-U4-2P is not installed into either an IX-brick or a PX-brick, it is not necessary to install the bracket onto the PCI card.

You may dispose of the unused bracket and mounting screws.

The bracket is only required for mounting the PCIX-SCSI-U4 card into the IX-brick or PX-brick.

To install or replace a PCI card, follow these steps:

1. Shut down the operating system. (See your software guide if you need instructions to do this.)
2. Power off the I/O brick.
3. To extract a PCI card or empty PCI card carrier from a slot, pull the handle on the selected card carrier straight out, as shown in Figure 1.

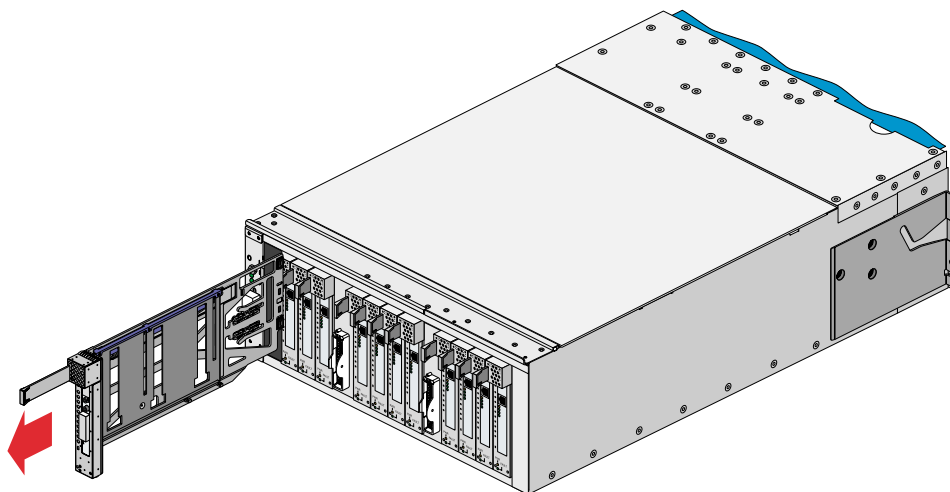


Figure 1 Removing Card Carrier

4. If you are replacing a card, carefully remove the existing card from the carrier.
If you are adding a card, extract the carrier metal filler plate by pushing down on it, as shown in Figure 2. This filler plate covers the PCI-card connector area.

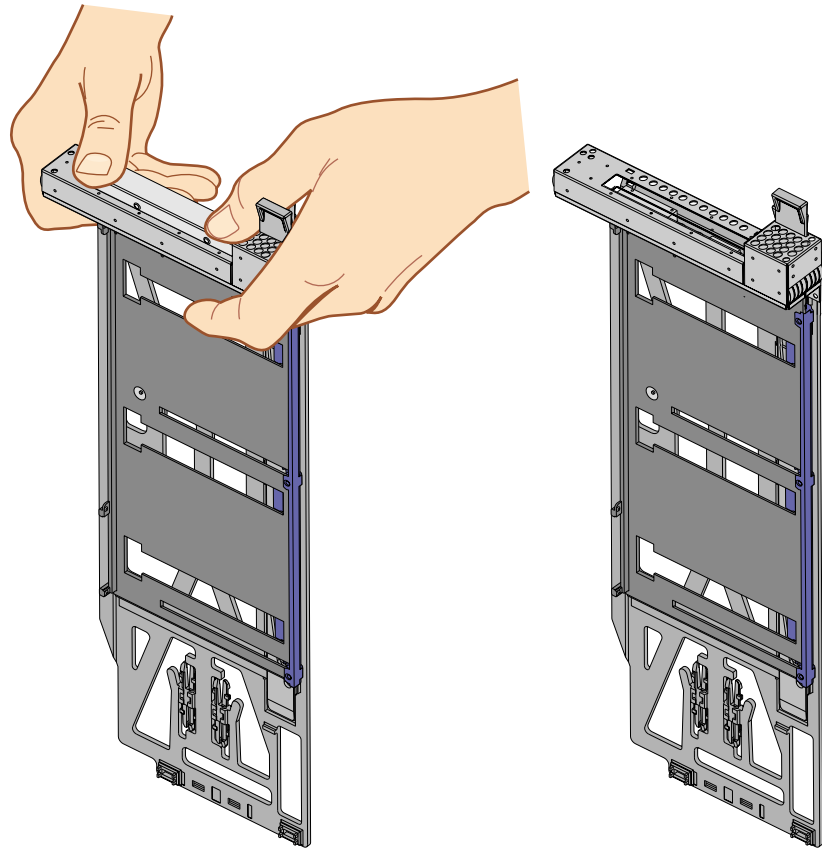


Figure 2 Extracting Carrier Metal Filler Plate

Bracket Installation

- Slip the bracket over the two internal connectors on the PCI card (see Figure 3).

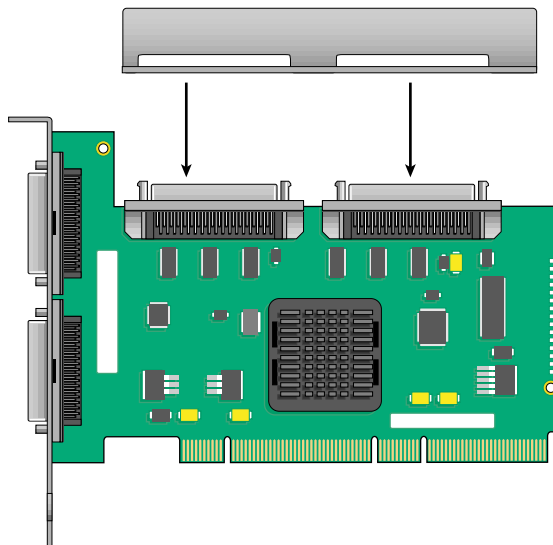


Figure 3 Positioning Bracket on PCI Card

- Using a #1 Phillips screwdriver attach the bracket to the PCI card with four 2-56 x 1/4 screws. Attaching the screws through the bracket and into the mounting holes on both ends of each internal connector (see Figure 4).

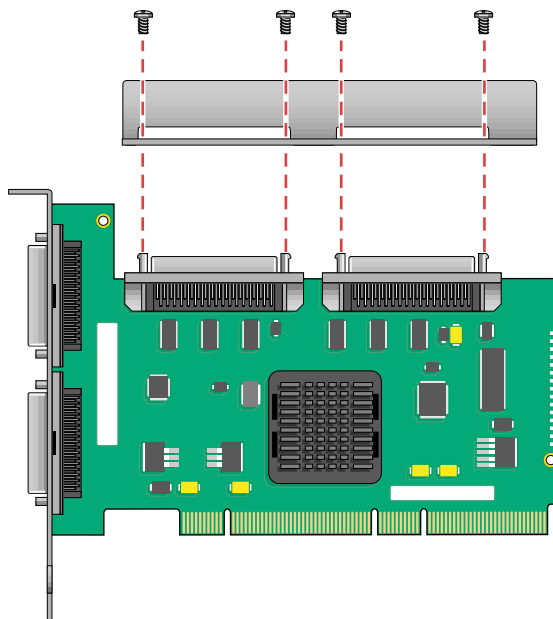


Figure 4 Securing Bracket to PCI Card

Mounting the PCIX-SCSI-U4-2P card with bracket onto PCI card carrier assembly.

Follow these steps:

7. Loosen the three TORX screws on the adjustment rail as shown in Figure 5.
8. Place the assembled PCI card and bracket in the carrier so that the connector edge of the card rests against the lower guide tabs of the carrier (see Figure 5).

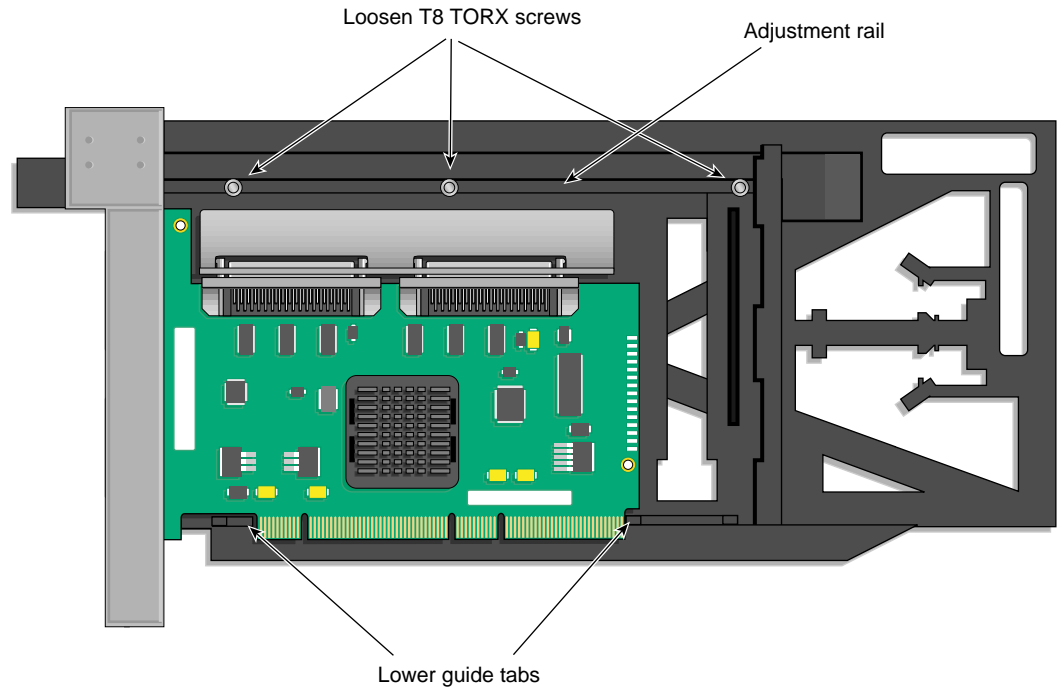


Figure 5 Mounting Half-height Card in Carrier

9. Move the adjustment rail so that the edge of the bracket is under (3) latches on the adjustment rail, and it holds the PCI card and bracket firmly in place. Tighten the three TORX screws.

10. Insert the carrier-mounted PCI card into the vacant slot, using the slot guide, as shown in Figure 6.

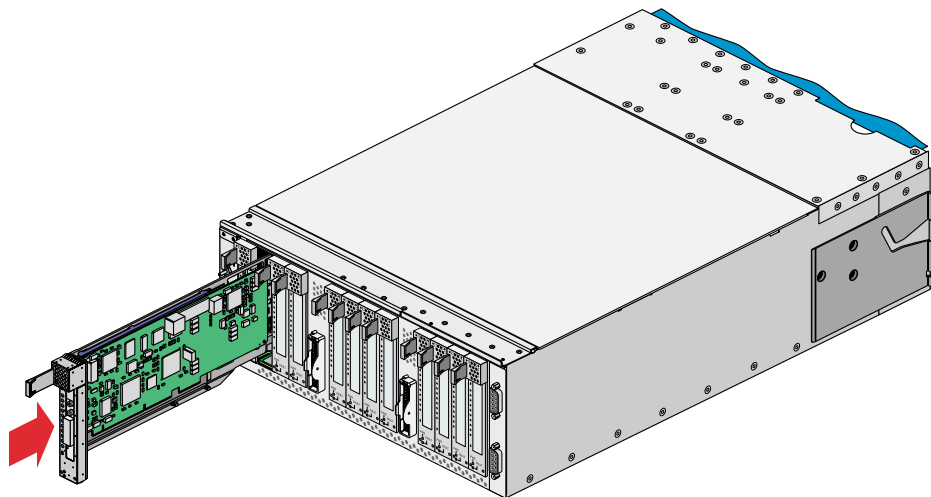


Figure 6 Installing Card in Slot

Note: If the card carrier part number is not 013-2614-003 or greater, extra care must be taken when installing the card carrier containing the PCI card.

The older card carriers were designed to seat a PCI card that adheres to the PCI 2.0 specification. The external I/O connectors of the newer PCI cards (PCI 2.2 spec.) may interfere with the top of the slot of the carrier, preventing the card from rising fully to its upper position. In this partially engaged state, the card edge connector may barely clear the PCI connector in the I/O brick, and in some tolerance conditions may stick. Do not force the carrier into the I/O brick. Recheck to make sure the card is at its highest position in the carrier and carefully repeat step 10.

11. Push horizontally on the carrier seating bar, as shown in Figure 7, to seat the card securely in the slot.

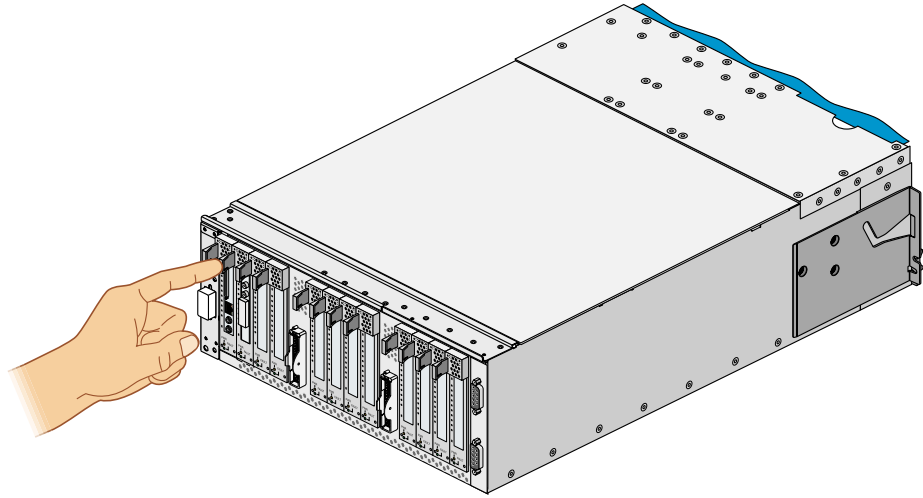


Figure 7 Seating Card in Slot

12. Power on the I/O brick.
13. Boot your operating system software. (See your software operation guide if you need instructions to boot your operating system.)
14. Run the `hinv` hardware inventory command to verify the installation. This command lists hardware that the operating system discovered during the boot operation.

©2004, Silicon Graphics, Inc. All rights reserved.
SGI is a registered trademark of Silicon Graphics, Inc. TORX is a registered trademark of Textran, Inc.

