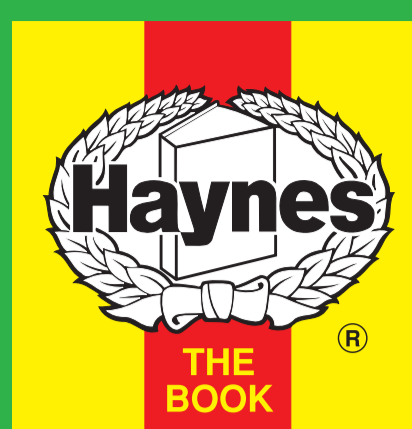


Engine & Cooling	Fuel	Ignition	Electrical	Running gear	Torque settings	Capacities	Notes & Illustrations
------------------	------	----------	------------	--------------	-----------------	------------	-----------------------



Automotive Technical DATA BOOK

Click on one of the buttons above to view data for this car. To return to this screen and make another choice, click anywhere on the data screen.

MENU

HELP

Engine and cooling system 164, 2.0 T-Spark & CAT 1990 to 1993

Type		064.20. CAT: 064.16 DOHC 107kW
Capacity (cm ³) / number of cylinders		1962 / 4
Compression ratio / pressure	bar	10.0 / _
Oil pressure	bar	[3.4 to 4.9]
Oil temperature	°C	90
Valve clearance - inlet	mm	0.38 to 0.45
Valve clearance - exhaust	mm	0.43 to 0.50
Firing order		1-3-4-2
No 1 cylinder position		TCE
Thermostat opening temperature	°C	83±2. Later: 87±2
Radiator cap pressure	bar	0.6 to 0.8 ¹

Fuel system 164, 2.0 T-Spark & CAT 1990 to 1993

Idle speed - manual [auto]	rpm	800±50. CAT: 750 to 850
Fast idle speed - manual [auto]	rpm	_
CO @ idle speed [3000 rpm] - see page VI	%	0.4 to 1.0. CAT: ≤0.2 Ex
HC @ idle speed [3000 rpm] - see page VI	ppm	≤350. CAT: ≤70 Ex
CO ₂ @ idle speed [3000 rpm] - see page VI	%	_
O ₂ @ idle speed [3000 rpm] - see page VI	%	_
Carburettor / fuel injection		Bosch
Type / ref		ML4.1-Motronic
Main jet / needle		_
Injection pressure	bar	_
Pump pressure	bar	2.8 to 3.2
Octane rating	RON	98[E 95 RON] ²

Ignition system 164, 2.0 T-Spark & CAT 1990 to 1993

Type		Motronic
Ignition coil		2xBosch 0 221 600 054
Primary resistance	ohms	0.45 to 0.55
Ballast resistor	ohms	_
Voltage - Tmnl 15(+) to earth	V	_
Distributor		Bosch
Points gap (air gap)	mm	_
Dwell angle	° (%)	_
Condenser capacity	µF	_
Rotation		Clockwise
Ignition timing - basic [static	° Crankshaft @ rpm	10±1 BTDC @ 800±50
V = Vacuum NV = No Vacuum		_
Total ignition advance	° Crankshaft @ rpm	_
	° Crankshaft @ rpm	_
	° Crankshaft @ rpm	_
Centrifugal check.	° Crankshaft @ rpm	Computer control
	° Crankshaft @ rpm	_
	° Crankshaft @ rpm	_
Vacuum range check	mbar	Computer control
Maximum vacuum advance	° Crankshaft	_
Spark plugs		Lodge/Champion
Type		25HLD / C6YCC
Electrode gap	mm	Champion: 0.80

Electrical system 164, 2.0 T-Spark & CAT 1990 to 1993

Battery	V / CC / RC	12 / 60Ah
Alternator voltage / full load current / engine rpm		13.0 to 14.0 / 70 / 3000
Starter motor current / voltage - cranking	A / V	350 / 9.0
- locked	A / V	750 / 4.0

Running gear 164, 2.0 T-Spark & CAT 1990 to 1993

Brakes -		
Front (min. friction material thickness)	mm	2.0
Rear (min. friction material thickness)	mm	2.0
Tyres		
Saloon	Size	185/70x14: 195/60x15:195/65x15
Estate / Van	Size	_
Pressure - front / rear - Saloon	bar	2.2 / 2.0
- Estate / Van	bar	_
Front suspension / wheel alignment		
Toe-in (+) / Toe-out (-)	mm [°]	0±1.0 ³
Camber		-1°40'±20' U/L
Castor		+2°30'±20' U/L
King pin inclination		_
Rear suspension / wheel alignment		
Toe-in (+) / Toe-out (-)	mm [°]	+3.0±1.0 U/L ⁴
Camber		-15'±20' U/L

Torque wrench settings 164, 2.0 T-Spark & CAT 1990 to 1993

Cylinder head - stage 1	Nm	74 to 82 gradually
- stage 2	Nm	After 1000km
Cylinder head - stage 3	Nm	- 360° in sequence
- stage 4	Nm	82 to 88
Big-end bearings	Nm	49 to 52 oiled
Main bearings	Nm	46 to 49 oiled
Clutch cover	Nm	19 to 25
Flywheel [driveplate]	Nm	110 to 113
Front hubs	Nm	356 to 400
Rear hubs	Nm	250 to 300
Wheel nuts / bolts	Nm	95 to 105
Spark plugs	Nm	25 to 34 oiled

Capacities 164, 2.0 T-Spark & CAT 1990 to 1993

Engine oil & filter	litres	5.0
Gearbox - 4-speed [5-speed]	litres	1.6
Automatic transmission - refill	litres	_
Final drive	litres	WT
Cooling system	litres	9.0. Refill: 7.0
Fuel tank	litres	70

Notes and Illustrations

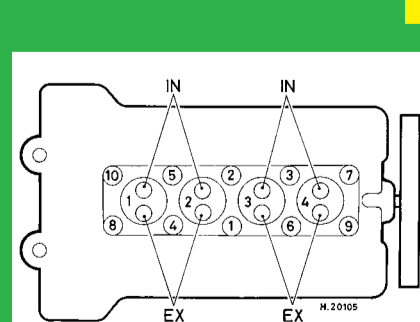
¹Later: 0.9 to 1.1

²CAT: 95 [U]

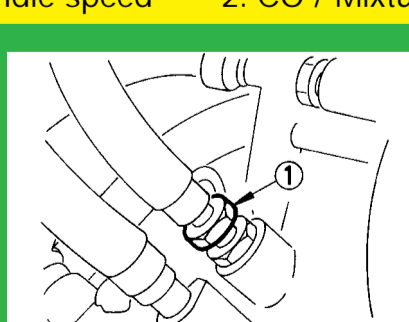
³Chassis no. 060 13379 ▶: +4.0±1.0

⁴Self-levelling: +5.0±1.0

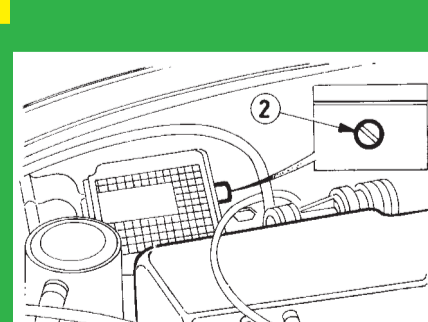
1: Idle speed 2: CO / Mixture



1962 cm³



ML4.1-Motronic, 1962 cm³



ML4.1-Motronic, 1962 cm³