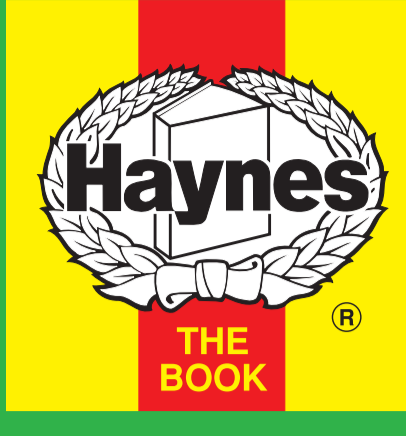


Engine & Cooling	Fuel	Ignition	Electrical	Running gear	Torque settings	Capacities	Notes & Illustrations
------------------	------	----------	------------	--------------	-----------------	------------	-----------------------



Automotive Technical DATA BOOK

Click on one of the buttons above to view data for this car. To return to this screen and make another choice, click anywhere on the data screen.

MENU

HELP

Engine and cooling system Duster 1989 to 1993

Type		203-03
Capacity (cm ³) / number of cylinders		1397 / 4
Compression ratio / pressure	bar	9.5 / 12.0
Oil pressure	bar	0.7 [3.7 to 4.0]
Oil temperature	°C	80
Valve clearance - inlet	mm	0.15
Valve clearance - exhaust	mm	0.20
Firing order		1-3-4-2
No 1 cylinder position		FE
Thermostat opening temperature	°C	87±0.5
Radiator cap pressure	bar	0.9±0.1

Fuel system Duster 1989 to 1993

Idle speed - manual [auto]	rpm	750 to 800
Fast idle speed - manual [auto]	rpm	—
CO @ idle speed [3000 rpm] - see page VI	%	—
HC @ idle speed [3000 rpm] - see page VI	ppm	—
CO ₂ @ idle speed [3000 rpm] - see page VI	%	—
O ₂ @ idle speed [3000 rpm] - see page VI	%	—
Carburettor / fuel injection		Carfill
Type / ref		32 IMR 2A
Main jet / needle		155
Injection pressure	bar	—
Pump pressure	bar	0.26
Octane rating	RON	98[L]

Ignition system Duster 1989 to 1993

Type		Contact breaker - CIS
Ignition coil		IAEA
Primary resistance	ohms	3.5
Ballast resistor	ohms	—
Voltage - Tmnl 15(+) to earth	V	—
Distributor		IEPS Sacele ¹
Points gap (air gap)	mm	0.40
Dwell angle	° (%)	57±3
Condenser capacity	µF	—
Rotation		Clockwise
Ignition timing - basic [static	° Crankshaft @ rpm	6 BTDC @ idle
V = Vacuum NV = No Vacuum		NV
Total ignition advance	° Crankshaft @ rpm	—
	° Crankshaft @ rpm	—
	° Crankshaft @ rpm	—
Centrifugal check.	° Crankshaft @ rpm	0 to 5 @ 1000
	° Crankshaft @ rpm	22 to 28 @ 3000
	° Crankshaft @ rpm	30 to 38 @ 5000
Vacuum range check	mbar	133 to 467
Maximum vacuum advance	° Crankshaft	20 to 28
Spark plugs		NGK/Champion
Type		BP6ES / L87YC
Electrode gap	mm	0.60

Electrical system Duster 1989 to 1993

Battery	V / CC / RC	12 / 45Ah
Alternator voltage / full load current / engine rpm		13.7 to 14.7 / _ / 3000
Starter motor current / voltage - cranking	A / V	—
- locked	A / V	—

Running gear Duster 1989 to 1993

Brakes -		
Front (min. friction material thickness)	mm	7.0 with backing
Rear (min. friction material thickness)	mm	—
Tyres		
Saloon	Size	—
Estate / Van	Size	175x14
Pressure - front / rear - Saloon	bar	—
- Estate / Van	bar	1.5 / 1.9
Front suspension / wheel alignment		
Toe-in (+) / Toe-out (-)	mm [°]	+1.5 to 5.0
Camber		+1°30'±30'
Castor		+2°±30'
King pin inclination		—
Rear suspension / wheel alignment		
Toe-in (+) / Toe-out (-)	mm [°]	—
Camber		—

Torque wrench settings Duster 1989 to 1993

Cylinder head - stage 1	Nm	55 to 65 C
- stage 2	Nm	75 H
Cylinder head - stage 3	Nm	—
- stage 4	Nm	—
Big-end bearings	Nm	40 to 45
Main bearings	Nm	55 to 65
Clutch cover	Nm	—
Flywheel [driveplate]	Nm	50 N
Front hubs	Nm	—
Rear hubs	Nm	—
Wheel nuts / bolts	Nm	80
Spark plugs	Nm	—

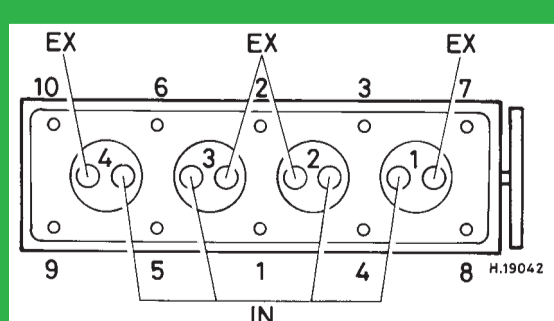
Capacities Duster 1989 to 1993

Engine oil & filter	litres	3.5
Gearbox - 4-speed [5-speed]	litres	1.4 ²
Automatic transmission - refill	litres	—
Final drive	litres	Front: 0.8. Rear:1.4
Cooling system	litres	7.1
Fuel tank	litres	46

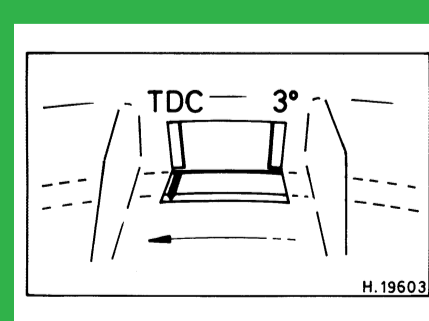
Notes and Illustrations

¹Distributor type: 3233

²Transfer box: 0.8



1397 cm³



1397 cm³