

Engine & Cooling	Fuel	Ignition	Electrical	Running gear	Torque settings	Capacities	Notes & Illustrations
------------------	------	----------	------------	--------------	-----------------	------------	-----------------------



Automotive Technical DATA BOOK

Click on one of the buttons above to view data for this car. To return to this screen and make another choice, click anywhere on the data screen.

MENU

HELP

Engine and cooling system Nexia 1.5 16V 1995 to 1997

Type	DOHC 16V 66kW	
Capacity (cm ³) / number of cylinders	1498 / 4	
Compression ratio / pressure	bar	9.2 / _
Oil pressure	bar	_
Oil temperature	°C	_
Valve clearance - inlet	mm	0: Hyd.
Valve clearance - exhaust	mm	0: Hyd.
Firing order	1-3-4-2	
No 1 cylinder position	TBE	
Thermostat opening temperature	°C	87
Radiator cap pressure	bar	0.90

Fuel system Nexia 1.5 16V 1995 to 1997

Idle speed - manual [auto]	rpm	850±50
Fast idle speed - manual [auto]	rpm	_
CO @ idle speed [3000 rpm] - see page VI	%	≤0.3
HC @ idle speed [3000 rpm] - see page VI	ppm	≤200
CO ₂ @ idle speed [3000 rpm] - see page VI	%	_
O ₂ @ idle speed [3000 rpm] - see page VI	%	_
Carburettor / fuel injection	_	
Type / ref	MPI	
Main jet / needle	_	
Injection pressure	bar	_
Pump pressure	bar	_
Octane rating	RON	95[U]

Ignition system Nexia 1.5 16V 1995 to 1997

Type	Electronic	
Ignition coil	_	
Primary resistance	ohms	_
Ballast resistor	ohms	_
Voltage - Tmnl 15(+) to earth	V	_
Distributor	_	
Points gap (air gap)	mm	_
Dwell angle	° (%)	_
Condenser capacity	µF	_
Rotation	_	
Ignition timing - basic [static	° Crankshaft @ rpm	10 BTDC @ 850±50
V = Vacuum NV = No Vacuum	_	
Total ignition advance	° Crankshaft @ rpm	Computer control
	° Crankshaft @ rpm	_
	° Crankshaft @ rpm	_
Centrifugal check.	° Crankshaft @ rpm	Computer control
	° Crankshaft @ rpm	_
	° Crankshaft @ rpm	_
Vacuum range check	mbar	Computer control
Maximum vacuum advance	° Crankshaft	_
Spark plugs	AC	
Type	R45XLS	
Electrode gap	mm	1.00 to 1.10

Electrical system Nexia 1.5 16V 1995 to 1997

Battery	V / CC / RC	12 / 55 / 270
Alternator voltage / full load current / engine rpm	_ / 70 / _	
Starter motor current / voltage - cranking	A / V	_
- locked	A / V	_

Running gear Nexia 1.5 16V 1995 to 1997

Brakes -		
Front (min. friction material thickness)	mm	_
Rear (min. friction material thickness)	mm	_
Tyres		
Saloon	Size	155x13: 175/70x13
Estate / Van	Size	_
Pressure - front / rear - Saloon	bar	1.9 / 2.3. 175/70: 2.6 / 2.1
- Estate / Van	bar	_
Front suspension / wheel alignment		
Toe-in (+) / Toe-out (-)	mm [°]	0±1.0
Camber	-25'±45'	
Castor	+1°45'±1°	
King pin inclination	_	
Rear suspension / wheel alignment		
Toe-in (+) / Toe-out (-)	mm [°]	-1.0 to +4.0
Camber	-1.0 to 0	

Torque wrench settings Nexia 1.5 16V 1995 to 1997

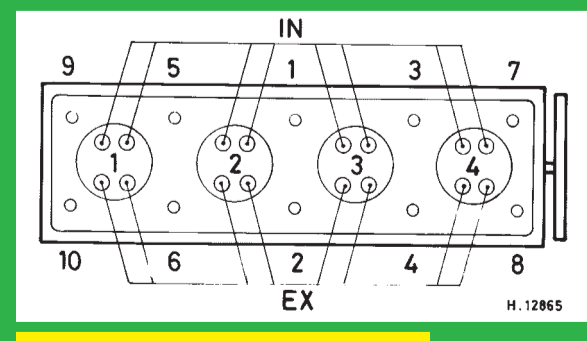
Cylinder head - stage 1	Nm	20 N
- stage 2	Nm	+ 65°
Cylinder head - stage 3	Nm	+65° + 65°
- stage 4	Nm	Warm up, + 30° to 40°
Big-end bearings	Nm	25° to 30° N
Main bearings	Nm	50 + 45° to 60°
Clutch cover	Nm	35
Flywheel [driveplate]	Nm	35 + 30° to 45° N
Front hubs	Nm	100, slacken, then 20 + 90°
Rear hubs	Nm	WSM
Wheel nuts / bolts	Nm	90
Spark plugs	Nm	_

Capacities Nexia 1.5 16V 1995 to 1997

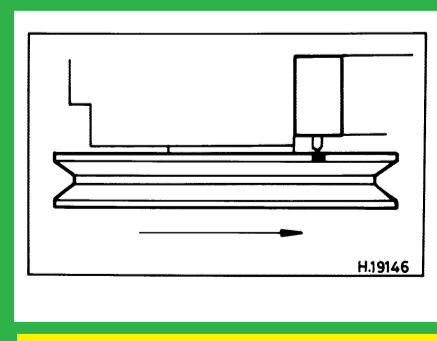
Engine oil & filter	litres	3.75
Gearbox - 4-speed [5-speed]	litres	1.8
Automatic transmission - refill	litres	5.5 to 6.0
Final drive	litres	WT
Cooling system	litres	6.7
Fuel tank	litres	50

Notes and Illustrations

-



1498 cm³, DOHC 16V



1498 cm³, DOHC 16V