

| | | | | | | | |
|------------------|------|----------|------------|--------------|-----------------|------------|-----------------------|
| Engine & Cooling | Fuel | Ignition | Electrical | Running gear | Torque settings | Capacities | Notes & Illustrations |
|------------------|------|----------|------------|--------------|-----------------|------------|-----------------------|



Automotive Technical DATA BOOK

Click on one of the buttons above to view data for this car. To return to this screen and make another choice, click anywhere on the data screen.

MENU

HELP

Engine and cooling system Applause 1.6 1989 to 1992

| | | |
|---|-----|--------------------|
| Type | | HD-C SOHC 16V 67kW |
| Capacity (cm ³) / number of cylinders | | 1589 / 4 |
| Compression ratio / pressure | bar | 9.5 / ≥13.7 |
| Oil pressure | bar | [2.4 to 4.8] |
| Oil temperature | °C | 80 |
| Valve clearance - inlet | mm | 0.25 H |
| Valve clearance - exhaust | mm | 0.33 H |
| Firing order | | 1-3-4-2 |
| No 1 cylinder position | | TBE |
| Thermostat opening temperature | °C | 84 to 98 |
| Radiator cap pressure | bar | 0.88 |

Fuel system Applause 1.6 1989 to 1992

| | | |
|---|-----|----------------------|
| Idle speed - manual [auto] | rpm | 800±50 [850±50] |
| Fast idle speed - manual [auto] | rpm | 1800 |
| CO @ idle speed [3000 rpm] - see page VI | % | 1.5±0.5 |
| HC @ idle speed [3000 rpm] - see page VI | ppm | ≤300 |
| CO ₂ @ idle speed [3000 rpm] - see page VI | % | - |
| O ₂ @ idle speed [3000 rpm] - see page VI | % | - |
| Carburettor / fuel injection | | Aisan |
| Type / ref | | 2V downdraught 28-32 |
| Main jet / needle | | 98, 185 |
| Injection pressure | bar | - |
| Pump pressure | bar | 0.2 to 0.3 |
| Octane rating | RON | 97[E 95 RON] |

Ignition system Applause 1.6 1989 to 1992

| | | |
|---------------------------------|--------------------|-------------------|
| Type | | Electronic |
| Ignition coil | | Nippon Denso |
| Primary resistance | ohms | 1.4 to 1.7 |
| Ballast resistor | ohms | - |
| Voltage - Tmnl 15(+) to earth | V | - |
| Distributor | | Nippon Denso |
| Points gap (air gap) | mm | [0.20 to 0.40] |
| Dwell angle | ° (%) | - |
| Condenser capacity | µF | - |
| Rotation | | Anticlockwise |
| Ignition timing - basic [static | ° Crankshaft @ rpm | 3±2 BTDC @ idle |
| V = Vacuum NV = No Vacuum | | NV |
| Total ignition advance | ° Crankshaft @ rpm | - |
| | ° Crankshaft @ rpm | - |
| | ° Crankshaft @ rpm | - |
| Centrifugal check. | ° Crankshaft @ rpm | 0 to 1 @ 1400 |
| | ° Crankshaft @ rpm | 12 @ 3000 |
| | ° Crankshaft @ rpm | 30 @ 5400 |
| Vacuum range check | mbar | 159 to 532 |
| Maximum vacuum advance | ° Crankshaft | 15 |
| Spark plugs | | NGK/Champion |
| Type | | BKR6E-11 / RC9YC4 |
| Electrode gap | mm | 1.00 to 1.10 |

Electrical system Applause 1.6 1989 to 1992

| | | |
|---|-------------|--------------------------|
| Battery | V / CC / RC | 12 / 36Ah |
| Alternator voltage / full load current / engine rpm | | 14.2 to 14.8 / 50 / 3000 |
| Starter motor current / voltage - cranking | A / V | 50 / 10.0 to 11.0 |
| - locked | A / V | - |

Running gear Applause 1.6 1989 to 1992

| | | |
|---|--------|------------|
| Brakes - | | |
| Front (min. friction material thickness) | mm | 1.0 |
| Rear (min. friction material thickness) | mm | 1.0 |
| Tyres | | |
| Saloon | Size | 175/70x13 |
| Estate / Van | Size | - |
| Pressure - front / rear - Saloon | bar | 1.8 / 1.8 |
| - Estate / Van | bar | - |
| Front suspension / wheel alignment | | |
| Toe-in (+) / Toe-out (-) | mm [°] | +1.0±1.0 |
| Camber | | +30'±30' |
| Castor | | +2°55'±30' |
| King pin inclination | | +12°±30' |
| Rear suspension / wheel alignment | | |
| Toe-in (+) / Toe-out (-) | mm [°] | +5.0±2.0 |
| Camber | | -40'±35' |

Torque wrench settings Applause 1.6 1989 to 1992

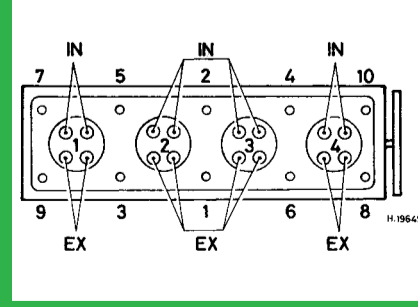
| | | |
|-------------------------|----|------------|
| Cylinder head - stage 1 | Nm | 59 to 67 |
| - stage 2 | Nm | - |
| Cylinder head - stage 3 | Nm | - |
| - stage 4 | Nm | - |
| Big-end bearings | Nm | 34 to 44 |
| Main bearings | Nm | 45 to 55 |
| Clutch cover | Nm | 15 to 22 |
| Flywheel [driveplate] | Nm | 79 to 98 |
| Front hubs | Nm | 167 to 225 |
| Rear hubs | Nm | 0.9 to 3.0 |
| Wheel nuts / bolts | Nm | 88 to 118 |
| Spark plugs | Nm | 15 to 20 |

Capacities Applause 1.6 1989 to 1992

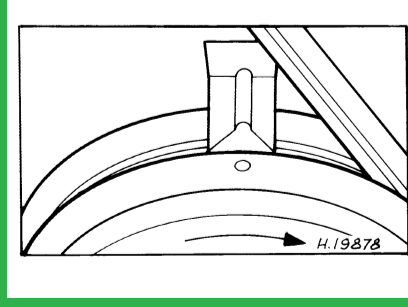
| | | |
|---------------------------------|--------|------------|
| Engine oil & filter | litres | 3.3 |
| Gearbox - 4-speed [5-speed] | litres | 2.1 to 2.3 |
| Automatic transmission - refill | litres | - |
| Final drive | litres | WT |
| Cooling system | litres | 5.2 |
| Fuel tank | litres | 50 |

Notes and Illustrations

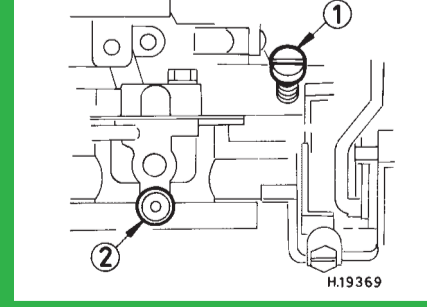
1: Idle speed 2: CO / Mixture



1589 cm³



1589 cm³



2V, 1589 cm³