

[Engine & Cooling](#)
[Fuel](#)
[Ignition](#)
[Electrical](#)
[Running gear](#)
[Torque settings](#)
[Capacities](#)
[Notes & Illustrations](#)



# Automotive Technical DATA BOOK

Click on one of the buttons above to view data for this car. To return to this screen and make another choice, click anywhere on the data screen.

MENU

HELP

## Engine and cooling system Hijet 4x4 1986 to 1990

Type		CB41
Capacity (cm <sup>3</sup> ) / number of cylinders		993 / 3
Compression ratio / pressure	bar	9.1 / 12.3
Oil pressure	bar	[3.6±0.5]
Oil temperature	°C	80
Valve clearance - inlet	mm	0.20 H
Valve clearance - exhaust	mm	0.20 H
Firing order		1-2-3
No 1 cylinder position		TBE
Thermostat opening temperature	°C	88
Radiator cap pressure	bar	0.9

## Fuel system Hijet 4x4 1986 to 1990

Idle speed - manual [auto]	rpm	850±50
Fast idle speed - manual [auto]	rpm	2800 to 3200
CO @ idle speed [3000 rpm] - see page VI	%	1.5 to 3.0
HC @ idle speed [3000 rpm] - see page VI	ppm	≤1200
CO <sub>2</sub> @ idle speed [3000 rpm] - see page VI	%	-
O <sub>2</sub> @ idle speed [3000 rpm] - see page VI	%	-
Carburettor / fuel injection		Aisan
Type / ref		1V
Main jet / needle		127
Injection pressure	bar	-
Pump pressure	bar	0.30 to 0.70
Octane rating	RON	91[E 95 RON]

## Ignition system Hijet 4x4 1986 to 1990

Type		Contact breaker - CIS
Ignition coil		-
Primary resistance	ohms	1.1 to 1.3
Ballast resistor	ohms	-
Voltage - Tmnl 15(+) to earth	V	-
Distributor		Toyo Denso
Points gap (air gap)	mm	0.40 to 0.50
Dwell angle	° (%)	58 to 66
Condenser capacity	µF	0.27
Rotation		Clockwise
Ignition timing - basic [static	° Crankshaft @ rpm	5±2 BTDC @ idle
V = Vacuum NV = No Vacuum		NV
Total ignition advance	° Crankshaft @ rpm	-
Centrifugal check.	° Crankshaft @ rpm	-
Vacuum range check	mbar	105 to 532
Maximum vacuum advance	° Crankshaft	30
Spark plugs		NGK/Champion
Type		BPR5EY / RN12YC
Electrode gap	mm	0.70 to 0.80

## Electrical system Hijet 4x4 1986 to 1990

Battery	V / CC / RC	12 / 28Ah
Alternator voltage / full load current / engine rpm		14.2 to 14.8 / _ / 3000
Starter motor current / voltage - cranking	A / V	-
- locked	A / V	-

## Running gear Hijet 4x4 1986 to 1990

<b>Brakes -</b>		
Front (min. friction material thickness)	mm	1.5
Rear (min. friction material thickness)	mm	1.5
<b>Tyres</b>		
Saloon	Size	-
Estate / Van	Size	145x12
Pressure - front / rear - Saloon	bar	-
- Estate / Van	bar	WSM
<b>Front suspension / wheel alignment</b>		
Toe-in (+) / Toe-out (-)	mm [°]	+5.0±4.0
Camber		+1°±1°30'
Castor		+3°18'±30'
King pin inclination		+11°24'±1°30'
<b>Rear suspension / wheel alignment</b>		
Toe-in (+) / Toe-out (-)	mm [°]	-
Camber		-

## Torque wrench settings Hijet 4x4 1986 to 1990

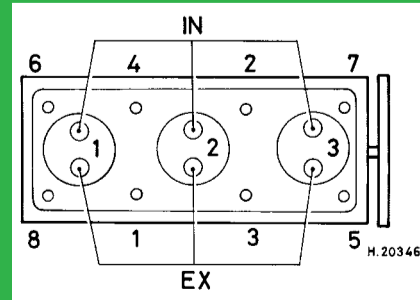
Cylinder head - stage 1	Nm	54 to 64
- stage 2	Nm	-
Cylinder head - stage 3	Nm	-
- stage 4	Nm	-
Big-end bearings	Nm	20 to 28
Main bearings	Nm	53 to 65
Clutch cover	Nm	7 to 10
Flywheel [driveplate]	Nm	39 to 49
Front hubs	Nm	WSM
Rear hubs	Nm	-
Wheel nuts / bolts	Nm	34 to 54
Spark plugs	Nm	15 to 21

## Capacities Hijet 4x4 1986 to 1990

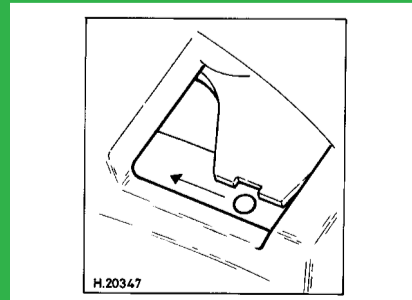
Engine oil & filter	litres	2.9
Gearbox - 4-speed [5-speed]	litres	1.1
Automatic transmission - refill	litres	-
Final drive	litres	0.6
Cooling system	litres	4.8
Fuel tank	litres	36

## Notes and Illustrations

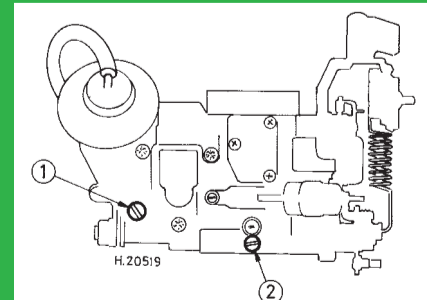
1: Idle speed    2: CO / Mixture



993 cm<sup>3</sup>



993 cm<sup>3</sup>



1V, 993 cm<sup>3</sup>