

Engine & Cooling	Fuel	Ignition	Electrical	Running gear	Torque settings	Capacities	Notes & Illustrations
------------------	------	----------	------------	--------------	-----------------	------------	-----------------------



# Automotive Technical DATA BOOK

Click on one of the buttons above to view data for this car. To return to this screen and make another choice, click anywhere on the data screen.

MENU

HELP

## Engine and cooling system Tempra 1.6 & Selecta 1990 to 1992

Type		159 A3.000 SOHC (62kW)
Capacity (cm <sup>3</sup> ) / number of cylinders		1581 / 4
Compression ratio / pressure	bar	9.2±0.1 / _
Oil pressure	bar	1.5 [4.6]
Oil temperature	°C	100
Valve clearance - inlet	mm	0.40±0.05
Valve clearance - exhaust	mm	0.50±0.05
Firing order		1-3-4-2
No 1 cylinder position		TBE
Thermostat opening temperature	°C	85 to 89
Radiator cap pressure	bar	0.98

## Fuel system Tempra 1.6 & Selecta 1990 to 1992

Idle speed - manual [auto]	rpm	850±50 [950±50]
Fast idle speed - manual [auto]	rpm	_
CO @ idle speed [3000 rpm] - see page VI	%	1.0±0.5 [1.25±0.25]
HC @ idle speed [3000 rpm] - see page VI	ppm	≤1200
CO <sub>2</sub> @ idle speed [3000 rpm] - see page VI	%	_
O <sub>2</sub> @ idle speed [3000 rpm] - see page VI	%	_
Carburettor / fuel injection		Weber
Type / ref		32-34 TLDE 23/151/551 [24/751]
Main jet / needle		107, 123 [110, 130]
Injection pressure	bar	_
Pump pressure	bar	0.18
Octane rating	RON	97[E 95 RON]

## Ignition system Tempra 1.6 & Selecta 1990 to 1992

Type		Digiplex 2
Ignition coil		Marelli BAE 504D
Primary resistance	ohms	0.405 to 0.495
Ballast resistor	ohms	_
Voltage - Tmnl 15(+) to earth	V	_
Distributor		Marelli
Points gap (air gap)	mm	_
Dwell angle	° (%)	_
Condenser capacity	µF	_
Rotation		_
Ignition timing - basic [static V = Vacuum NV = No Vacuum	° Crankshaft @ rpm	12±1 BTDC @ idle
Total ignition advance	° Crankshaft @ rpm	8±2 BTDC @ 500
	° Crankshaft @ rpm	40±2 @ 3000 to 6200
	° Crankshaft @ rpm	_
Centrifugal check.	° Crankshaft @ rpm	Computer control
	° Crankshaft @ rpm	_
	° Crankshaft @ rpm	_
Vacuum range check	mbar	Computer control
Maximum vacuum advance	° Crankshaft	_
Spark plugs		Bosch/Champion
Type		WR6DC / RN7YC
Electrode gap	mm	0.70 to 0.80

## Electrical system Tempra 1.6 & Selecta 1990 to 1992

Battery	V / CC / RC	12 / 200 / 40Ah
Alternator voltage / full load current / engine rpm		14.0 to 14.6 / 55, 90 / 3500
Starter motor current / voltage - cranking	A / V	200 / 9.8 to 10.0
- locked	A / V	440 / 7.6

## Running gear Tempra 1.6 & Selecta 1990 to 1992

<b>Brakes -</b>		
Front (min. friction material thickness)	mm	1.5
Rear (min. friction material thickness)	mm	1.5
<b>Tyres</b>		
Saloon	Size	165/70x13:165/65x14:185/60x14
Estate / Van	Size	175\65x14: 185/60x14
Pressure - front / rear - Saloon	bar	2.0 / 2.0 <sup>1</sup>
- Estate / Van	bar	2.2 / 2.2
<b>Front suspension / wheel alignment</b>		
Toe-in (+) / Toe-out (-)	mm [°]	-1.0 to +1.0
Camber		-20' to +40' N/A
Castor		+1°50' to 2°50' N/A <sup>2</sup>
King pin inclination		_
<b>Rear suspension / wheel alignment</b>		
Toe-in (+) / Toe-out (-)	mm [°]	-3.0 to +1.0
Camber		-30' to -1°30' N/A

## Torque wrench settings Tempra 1.6 & Selecta 1990 to 1992

Cylinder head - stage 1	Nm	20
- stage 2	Nm	40
Cylinder head - stage 3	Nm	+ 90°
- stage 4	Nm	+ 90°
Big-end bearings	Nm	51
Main bearings	Nm	80
Clutch cover	Nm	38
Flywheel [driveplate]	Nm	83
Front hubs	Nm	235
Rear hubs	Nm	284
Wheel nuts / bolts	Nm	86
Spark plugs	Nm	25 to 30

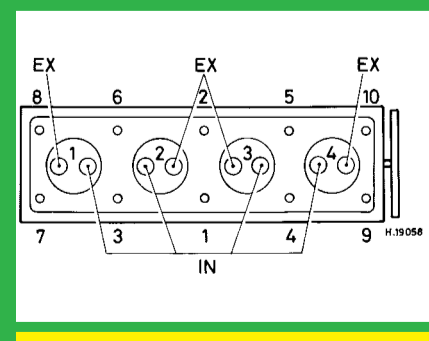
## Capacities Tempra 1.6 & Selecta 1990 to 1992

Engine oil & filter	litres	3.7
Gearbox - 4-speed [5-speed]	litres	2.0
Automatic transmission - refill	litres	3.5
Final drive	litres	WT
Cooling system	litres	5.5
Fuel tank	litres	65

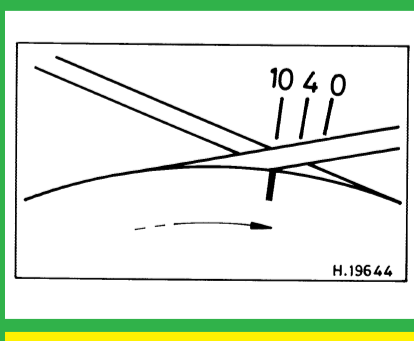
## Notes and Illustrations

<sup>1</sup>185/60x14: 2.2 / 2.4  
<sup>2</sup>PAS 4D: +2°10' to 3°10'. 5D: +50' to 1°50'

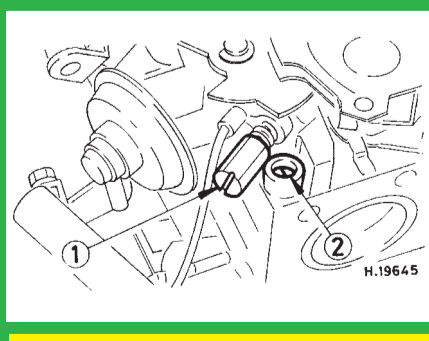
1: Idle speed 2: CO / Mixture



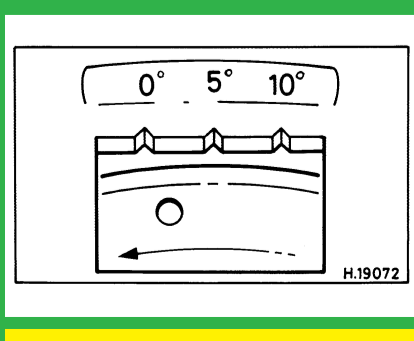
1581 cm<sup>3</sup>



1581 cm<sup>3</sup>, alternative



Weber TLDE



1581 cm<sup>3</sup>