

Engine & Cooling	Fuel	Ignition	Electrical	Running gear	Torque settings	Capacities	Notes & Illustrations
------------------	------	----------	------------	--------------	-----------------	------------	-----------------------



## Automotive Technical DATA BOOK

Click on one of the buttons above to view data for this car. To return to this screen and make another choice, click anywhere on the data screen.

MENU

HELP

### Engine and cooling system Escort 1.1 1990 to 1992

Type		GUF (40kW). 15.05
Capacity (cm <sup>3</sup> ) / number of cylinders		1118 / 4
Compression ratio / pressure	bar	9.5 / 13 to 16
Oil pressure	bar	0.6 [1.5]
Oil temperature	°C	80
Valve clearance - inlet	mm	0.20
Valve clearance - exhaust	mm	0.30
Firing order		1-2-4-3
No 1 cylinder position		TCE
Thermostat opening temperature	°C	85 to 89
Radiator cap pressure	bar	1.2 to 1.4

### Fuel system Escort 1.1 1990 to 1992

Idle speed - manual [auto]	rpm	750±50 (fan on)
Fast idle speed - manual [auto]	rpm	2800
CO @ idle speed [3000 rpm] - see page VI	%	1.0±0.5
HC @ idle speed [3000 rpm] - see page VI	ppm	≤1200
CO <sub>2</sub> @ idle speed [3000 rpm] - see page VI	%	—
O <sub>2</sub> @ idle speed [3000 rpm] - see page VI	%	—
Carburettor / fuel injection		Weber
Type / ref		2V (TLDM). 89BF-9510-EA
Main jet / needle		92, 122
Injection pressure	bar	—
Pump pressure	bar	0.24 to 0.38
Octane rating	RON	98[E 95 RON]

### Ignition system Escort 1.1 1990 to 1992

Type		UPAC - DIS
Ignition coil		High output DIS
Primary resistance	ohms	0.5±0.05
Ballast resistor	ohms	—
Voltage - Tmnl 15(+) to earth	V	—
Distributor		—
Points gap (air gap)	mm	—
Dwell angle	° (%)	—
Condenser capacity	µF	—
Rotation		—
Ignition timing - basic [static	° Crankshaft @ rpm	—
V = Vacuum NV = No Vacuum		—
Total ignition advance	° Crankshaft @ rpm	—
	° Crankshaft @ rpm	—
	° Crankshaft @ rpm	—
Centrifugal check.	° Crankshaft @ rpm	Computer control
	° Crankshaft @ rpm	—
	° Crankshaft @ rpm	—
Vacuum range check	mbar	Computer control
Maximum vacuum advance	° Crankshaft	—
Spark plugs		Motorcraft/Champion
Type		AGRF22C1 / RS9YC
Electrode gap	mm	1.00

### Electrical system Escort 1.1 1990 to 1992

Battery	V / CC / RC	12 / 270 / 50, 360 / 60
Alternator voltage / full load current / engine rpm		13.5 / 55, 70 / 3000
Starter motor current / voltage - cranking	A / V	—
- locked	A / V	—

### Running gear Escort 1.1 1990 to 1992

<b>Brakes -</b>		
Front (min. friction material thickness)	mm	1.5
Rear (min. friction material thickness)	mm	1.0
<b>Tyres</b>		
Saloon	Size	155x13: 175/70x13
Estate / Van	Size	—
Pressure - front / rear - Saloon	bar	2.0 / 1.8
- Estate / Van	bar	—
<b>Front suspension / wheel alignment</b>		
Toe-in (+) / Toe-out (-)	mm [°]	0±1.0
Camber		-15'±1°20'
Castor		0±1°15'
King pin inclination		—
<b>Rear suspension / wheel alignment</b>		
Toe-in (+) / Toe-out (-)	mm [°]	+2.0±2.0
Camber		-1°+30'-1°

### Torque wrench settings Escort 1.1 1990 to 1992

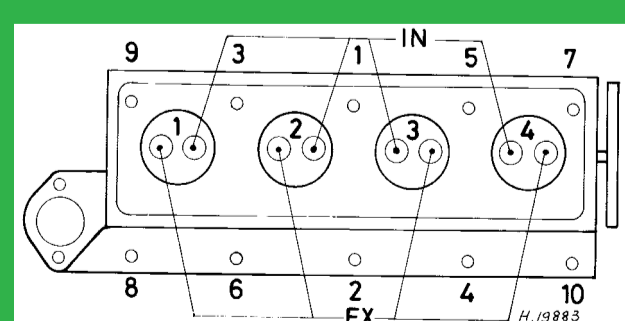
Cylinder head - stage 1	Nm	30 N
- stage 2	Nm	+ 90°
Cylinder head - stage 3	Nm	+ 90°
- stage 4	Nm	—
Big-end bearings	Nm	4 + 90° N
Main bearings	Nm	88 to 102
Clutch cover	Nm	25 to 34
Flywheel [driveplate]	Nm	64 to 70
Front hubs	Nm	205 to 235
Rear hubs	Nm	250 to 270
Wheel nuts / bolts	Nm	70 to 100
Spark plugs	Nm	15 to 20

### Capacities Escort 1.1 1990 to 1992

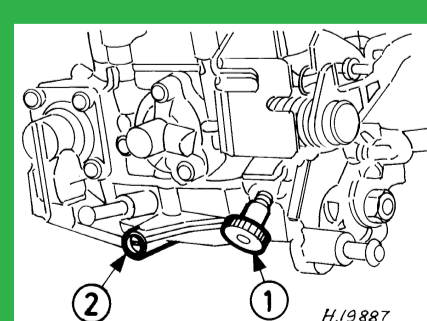
Engine oil & filter	litres	3.25
Gearbox - 4-speed [5-speed]	litres	[3.1]
Automatic transmission - refill	litres	—
Final drive	litres	WT
Cooling system	litres	6.2
Fuel tank	litres	55

### Notes and Illustrations

1: Idle speed 2: CO / Mixture



1118 cm<sup>3</sup>



Weber TLDM