

Engine & Cooling	Fuel	Ignition	Electrical	Running gear	Torque settings	Capacities	Notes & Illustrations
------------------	------	----------	------------	--------------	-----------------	------------	-----------------------



Automotive Technical DATA BOOK

Click on one of the buttons above to view data for this car. To return to this screen and make another choice, click anywhere on the data screen.

MENU **HELP**

Engine and cooling system Escort & Orion 1.6 CAT 1990 to 1992

Type		LUJ (65kW). 15.05 ¹
Capacity (cm ³) / number of cylinders		1597 / 4
Compression ratio / pressure	bar	9.5 / 12 to 14
Oil pressure	bar	0.6 [1.5]
Oil temperature	°C	80
Valve clearance - inlet	mm	0: Hyd.
Valve clearance - exhaust	mm	0: Hyd.
Firing order		1-3-4-2
No 1 cylinder position		TBE
Thermostat opening temperature	°C	85 to 89
Radiator cap pressure	bar	1.2 to 1.4

Fuel system Escort & Orion 1.6 CAT 1990 to 1992

Idle speed - manual [auto]	rpm	800±30
Fast idle speed - manual [auto]	rpm	1800±50
CO @ idle speed [3000 rpm] - see page VI	%	1.0±0.5
HC @ idle speed [3000 rpm] - see page VI	ppm	≤1200
CO ₂ @ idle speed [3000 rpm] - see page VI	%	-
O ₂ @ idle speed [3000 rpm] - see page VI	%	-
Carburettor / fuel injection		Weber
Type / ref		2V (TLD). 89SF-9510-EA
Main jet / needle		115, 127
Injection pressure	bar	-
Pump pressure	bar	0.24 to 0.38
Octane rating	RON	95[U]

Ignition system Escort & Orion 1.6 CAT 1990 to 1992

Type		ESC H2 - DIS
Ignition coil		High output DIS
Primary resistance	ohms	0.5±0.05
Ballast resistor	ohms	-
Voltage - Tmnl 15(+) to earth	V	-
Distributor		-
Points gap (air gap)	mm	-
Dwell angle	° (%)	-
Condenser capacity	µF	-
Rotation		-
Ignition timing - basic [static	° Crankshaft @ rpm	-
V = Vacuum NV = No Vacuum		-
Total ignition advance	° Crankshaft @ rpm	-
	° Crankshaft @ rpm	-
	° Crankshaft @ rpm	-
Centrifugal check.	° Crankshaft @ rpm	Computer control
	° Crankshaft @ rpm	-
	° Crankshaft @ rpm	-
Vacuum range check	mbar	Computer control
Maximum vacuum advance	° Crankshaft	-
Spark plugs		Motorcraft/Champion
Type		AGPR22CD / RC7YCC
Electrode gap	mm	1.00

Electrical system Escort & Orion 1.6 CAT 1990 to 1992

Battery	V / CC / RC	12 / 270 / 50, 360 / 60
Alternator voltage / full load current / engine rpm		13.5 / 55, 70 / 3000
Starter motor current / voltage - cranking	A / V	-
- locked	A / V	-

Running gear Escort & Orion 1.6 CAT 1990 to 1992

Brakes -		
Front (min. friction material thickness)	mm	1.5
Rear (min. friction material thickness)	mm	1.0

Tyres		
Saloon	Size	175/70x13: 185/60x14
Estate / Van	Size	175/70x13: 185/60x14
Pressure - front / rear - Saloon	bar	2.0 / 1.8
- Estate / Van	bar	2.0 / 1.8

Front suspension / wheel alignment

Toe-in (+) / Toe-out (-)	mm [°]	0±1.0
Camber		-15'±1°20'
Castor		0±1°15'
King pin inclination		-

Rear suspension / wheel alignment

Toe-in (+) / Toe-out (-)	mm [°]	+2.0±2.0
Camber		-1°+30'-1°

Torque wrench settings Escort & Orion 1.6 CAT 1990 to 1992

Cylinder head - stage 1	Nm	20 to 40
- stage 2	Nm	40 to 60
Cylinder head - stage 3	Nm	+ 90°
- stage 4	Nm	+ 90°
Big-end bearings	Nm	30 to 36
Main bearings	Nm	90 to 100
Clutch cover	Nm	25 to 34
Flywheel [driveplate]	Nm	82 to 92
Front hubs	Nm	220 to 250
Rear hubs	Nm	250 to 270
Wheel nuts / bolts	Nm	70 to 100
Spark plugs	Nm	17 to 33

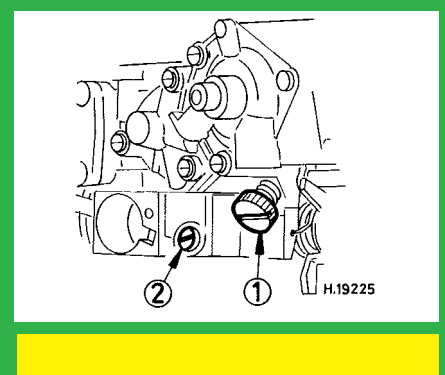
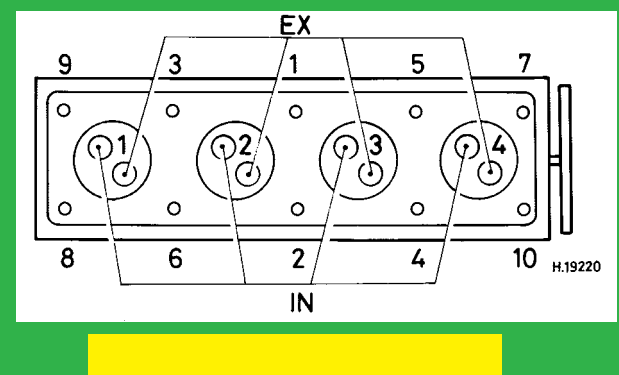
Capacities Escort & Orion 1.6 CAT 1990 to 1992

Engine oil & filter	litres	3.5
Gearbox - 4-speed [5-speed]	litres	3.1
Automatic transmission - refill	litres	3.6
Final drive	litres	WT
Cooling system	litres	7.8
Fuel tank	litres	55

Notes and Illustrations

¹With pulse-air and unregulated catalytic converter

1: Idle speed 2: CO / Mixture



1597 cm³, LUJ

Weber TLD