

Engine & Cooling	Fuel	Ignition	Electrical	Running gear	Torque settings	Capacities	Notes & Illustrations
------------------	------	----------	------------	--------------	-----------------	------------	-----------------------



# Automotive Technical DATA BOOK

Click on one of the buttons above to view data for this car. To return to this screen and make another choice, click anywhere on the data screen.

**MENU**      **HELP**

## Engine and cooling system Transit 2.0 1991 to 1994

Type	NBA OHC 66kW 15.05 US84	
Capacity (cm <sup>3</sup> ) / number of cylinders	1994 / 4	
Compression ratio / pressure	bar	9.2 / 11 to 13
Oil pressure	bar	2.1 [2.5]
Oil temperature	°C	80
Valve clearance - inlet	mm	0.20±0.03
Valve clearance - exhaust	mm	0.25±0.03
Firing order	1-3-4-2	
No 1 cylinder position	TBE	
Thermostat opening temperature	°C	88 to 102
Radiator cap pressure	bar	1.0

## Fuel system Transit 2.0 1991 to 1994

Idle speed - manual [auto]	rpm	800±50 N/A
Fast idle speed - manual [auto]	rpm	—
CO @ idle speed [3000 rpm] - see page VI	%	1.0±0.25
HC @ idle speed [3000 rpm] - see page VI	ppm	≤1200
CO <sub>2</sub> @ idle speed [3000 rpm] - see page VI	%	—
O <sub>2</sub> @ idle speed [3000 rpm] - see page VI	%	—
Carburettor / fuel injection	Weber	
Type / ref	2V. 91HF-AB	
Main jet / needle	105, 120	
Injection pressure	bar	—
Pump pressure	bar	0.26 to 0.34
Octane rating	RON	95[E 95 RON]

## Ignition system Transit 2.0 1991 to 1994

Type	ESC II	
Ignition coil	Bosch, Femsa, Polmot	
Primary resistance	ohms	0.72 to 0.88
Ballast resistor	ohms	—
Voltage - Tmnl 15(+) to earth	V	—
Distributor	Bosch	
Points gap (air gap)	mm	—
Dwell angle	° (%)	—
Condenser capacity	µF	—
Rotation	Clockwise	
Ignition timing - basic [static	° Crankshaft @ rpm	4 BTDC @ idle
V = Vacuum    NV = No Vacuum	NV	
Total ignition advance	° Crankshaft @ rpm	—
Centrifugal check.	° Crankshaft @ rpm	Computer control
Vacuum range check	mbar	Computer control
Maximum vacuum advance	° Crankshaft	—
Spark plugs	Motorcraft/Champion	
Type	BRF32C / F7YC	
Electrode gap	mm	0.75

## Electrical system Transit 2.0 1991 to 1994

Battery	V / CC / RC	12 / 200 / 70
Alternator voltage / full load current / engine rpm	13.7 to 14.6 / _ / 4000	
Starter motor current / voltage - cranking	A / V	—
- locked	A / V	—

## Running gear Transit 2.0 1991 to 1994

<b>Brakes -</b>		
Front (min. friction material thickness)	mm	1.5
Rear (min. friction material thickness)	mm	1.0
<b>Tyres</b>		
Saloon	Size	—
Estate / Van	Size	185x14: 195x14: 215/70x15 <sup>1</sup>
Pressure - front / rear - Saloon	bar	—
- Estate / Van	bar	WSM
<b>Front suspension / wheel alignment</b>		
Toe-in (+) / Toe-out (-)	mm [°]	0 to +1.6
Camber	WSM	
Castor	WSM	
King pin inclination	—	
<b>Rear suspension / wheel alignment</b>		
Toe-in (+) / Toe-out (-)	mm [°]	—
Camber	—	

## Torque wrench settings Transit 2.0 1991 to 1994

Cylinder head - stage 1	Nm	38 N
- stage 2	Nm	73
Cylinder head - stage 3	Nm	Wait 5 min.
- stage 4	Nm	+ 90°
Big-end bearings	Nm	44
Main bearings	Nm	95
Clutch cover	Nm	19
Flywheel [driveplate]	Nm	67
Front hubs	Nm	WSM
Rear hubs	Nm	WSM
Wheel nuts / bolts	Nm	5 stud: 75 to 95 <sup>2</sup>
Spark plugs	Nm	24

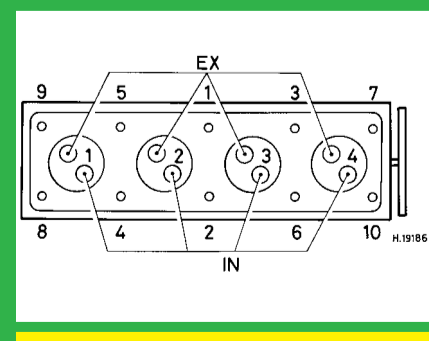
## Capacities Transit 2.0 1991 to 1994

Engine oil & filter	litres	3.75
Gearbox - 4-speed [5-speed]	litres	1.25
Automatic transmission - refill	litres	8.5
Final drive	litres	Type G: 1.7 <sup>3</sup>
Cooling system	litres	8.4
Fuel tank	litres	68

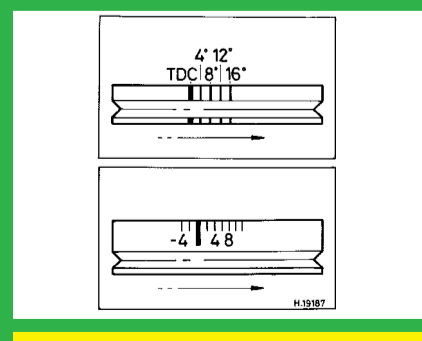
## Notes and Illustrations

<sup>1</sup>225/70x15 may be fitted  
<sup>2</sup>6 stud: 155 to 180  
<sup>3</sup>Type H axle: 2.7

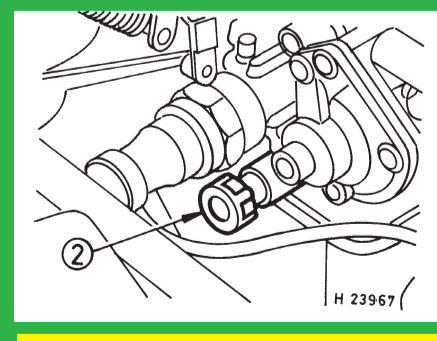
1: Idle speed      2: CO / Mixture



1994 cm<sup>3</sup>



1994 cm<sup>3</sup>



Weber 2V