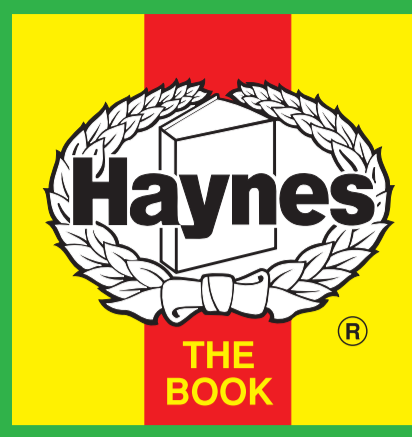


Engine & Cooling	Fuel	Ignition	Electrical	Running gear	Torque settings	Capacities	Notes & Illustrations
------------------	------	----------	------------	--------------	-----------------	------------	-----------------------



# Automotive Technical DATA BOOK

Click on one of the buttons above to view data for this car. To return to this screen and make another choice, click anywhere on the data screen.

MENU

HELP

### Engine and cooling system Fiesta 1.1i & Van CAT 1989 to 1997

Type	G6A HCS 37kW. US 83	
Capacity (cm <sup>3</sup> ) / number of cylinders	1119 / 4	
Compression ratio / pressure	bar	8.8 / 13 to 16
Oil pressure	bar	0.6 [1.5]
Oil temperature	°C	80
Valve clearance - inlet	mm	0.20 to 0.25
Valve clearance - exhaust	mm	0.30 to 0.35
Firing order	1-2-4-3	
No 1 cylinder position	TCE	
Thermostat opening temperature	°C	85 to 89
Radiator cap pressure	bar	1.0

### Fuel system Fiesta 1.1i & Van CAT 1989 to 1997

Idle speed - manual [auto]	rpm	900±50
Fast idle speed - manual [auto]	rpm	—
CO @ idle speed [3000 rpm] - see page VI	%	≤0.3
HC @ idle speed [3000 rpm] - see page VI	ppm	≤200
CO <sub>2</sub> @ idle speed [3000 rpm] - see page VI	%	—
O <sub>2</sub> @ idle speed [3000 rpm] - see page VI	%	—
Carburettor / fuel injection	Ford	
Type / ref	EEC IV / CFI	
Main jet / needle	—	
Injection pressure	bar	1.0
Pump pressure	bar	≥3.0
Octane rating	RON	95[U]

### Ignition system Fiesta 1.1i & Van CAT 1989 to 1997

Type	E-DIS 4	
Ignition coil	High output DIS	
Primary resistance	ohms	0.5 to 1.0
Ballast resistor	ohms	—
Voltage - Tmnl 15(+) to earth	V	—
Distributor	—	
Points gap (air gap)	mm	—
Dwell angle	° (%)	—
Condenser capacity	µF	—
Rotation	—	
Ignition timing - basic [static	° Crankshaft @ rpm	[10±2 BTDC] N/A
V = Vacuum NV = No Vacuum	—	
Total ignition advance	° Crankshaft @ rpm	—
	° Crankshaft @ rpm	—
	° Crankshaft @ rpm	—
Centrifugal check.	° Crankshaft @ rpm	Computer control
	° Crankshaft @ rpm	—
	° Crankshaft @ rpm	—
Vacuum range check	mbar	Computer control
Maximum vacuum advance	° Crankshaft	—
Spark plugs	Motorcraft/Champion	
Type	AGRF22C1 / RS9YC	
Electrode gap	mm	1.00

### Electrical system Fiesta 1.1i & Van CAT 1989 to 1997

Battery	V / CC / RC	12 / 270 / 50, 360 / 60,500/70
Alternator voltage / full load current / engine rpm	13.7 to 14.6 / 50, 70 / 4000	
Starter motor current / voltage - cranking	A / V	—
- locked	A / V	—

### Running gear Fiesta 1.1i & Van CAT 1989 to 1997

<b>Brakes -</b>		
Front (min. friction material thickness)	mm	1.5
Rear (min. friction material thickness)	mm	1.0
<b>Tyres</b>		
Saloon	Size	145x13: 155/70x13: 165/65x13
Estate / Van	Size	145x13
Pressure - front / rear - Saloon	bar	1.8 / 1.8 <sup>1</sup>
- Estate / Van	bar	1.8 / 1.8

### Front suspension / wheel alignment

Toe-in (+) / Toe-out (-)	mm [°]	0±1.0 <sup>2</sup>
Camber	+25'±1°15' [+12'±1°15'] <sup>3</sup>	
Castor	+23'±1° [+18'±1°] <sup>4</sup>	
King pin inclination	—	

### Rear suspension / wheel alignment

Toe-in (+) / Toe-out (-)	mm [°]	+0.2±2.0 <sup>5</sup>
Camber	-1°1'+30'-1° <sup>6</sup>	

### Torque wrench settings Fiesta 1.1i & Van CAT 1989 to 1997

Cylinder head - stage 1	Nm	30
- stage 2	Nm	+ 90°
Cylinder head - stage 3	Nm	+ 90°
- stage 4	Nm	—
Big-end bearings	Nm	4 + 90°
Main bearings	Nm	88 to 102
Clutch cover	Nm	24 to 35
Flywheel [driveplate]	Nm	64 to 70
Front hubs	Nm	205 to 235
Rear hubs	Nm	250 to 290
Wheel nuts / bolts	Nm	100
Spark plugs	Nm	14 to 20

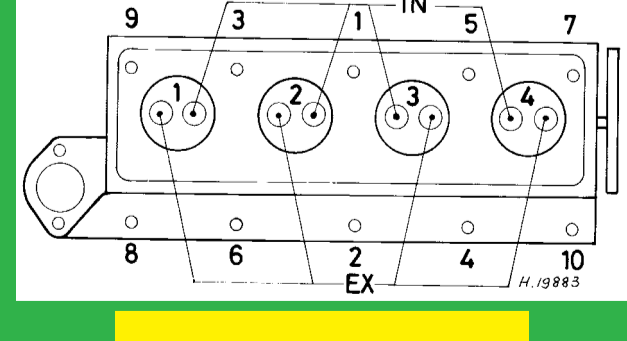
### Capacities Fiesta 1.1i & Van CAT 1989 to 1997

Engine oil & filter	litres	3.25
Gearbox - 4-speed [5-speed]	litres	3.1
Automatic transmission - refill	litres	3.5
Final drive	litres	WT
Cooling system	litres	7.1
Fuel tank	litres	42

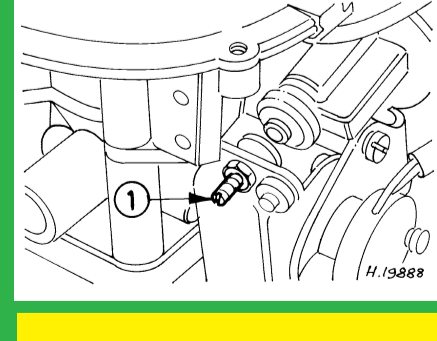
### Notes and Illustrations

- <sup>1</sup>155/70x13: 2.0 / 1.8
- <sup>2</sup>90 ▶: -2.0±1.0
- <sup>3</sup>S: +22'±1°15'. 90 ▶: -8'±1°20'. Van: -3'±1°20'. 92 ▶: -9'±1°20'. Van: -6'±1°20'
- <sup>4</sup>S: +36'±1°. 90 ▶: +53'±1°15'. Van: +51'±1°15'. 92 ▶: +52'±1°15'. Van: +53'±1°15'
- <sup>5</sup>S: +0.5±2.0. 4.90 ▶: +2.3±2.0
- <sup>6</sup>4.90 ▶: -1°+30'-1°

1: Idle speed      2: CO / Mixture



1119 cm<sup>3</sup>



Weber CFI