

Engine & Cooling	Fuel	Ignition	Electrical	Running gear	Torque settings	Capacities	Notes & Illustrations
------------------	------	----------	------------	--------------	-----------------	------------	-----------------------



Automotive Technical DATA BOOK

Click on one of the buttons above to view data for this car. To return to this screen and make another choice, click anywhere on the data screen.

MENU

HELP

Engine and cooling system Accord & Aerodeck 1985 to 1989

Type	A20 A2 SOHC	
Capacity (cm ³) / number of cylinders	1955 / 4	
Compression ratio / pressure	bar	9.2 / ≥9.8
Oil pressure	bar	[3.7 to 4.5]
Oil temperature	°C	80
Valve clearance - inlet	mm	0.12 to 0.17
Valve clearance - exhaust	mm	0.25 to 0.30
Firing order	1-3-4-2	
No 1 cylinder position	TBE	
Thermostat opening temperature	°C	82±2
Radiator cap pressure	bar	0.76 to 1.04

Fuel system Accord & Aerodeck 1985 to 1989

Idle speed - manual [auto]	rpm	750±50 [700±50]
Fast idle speed - manual [auto]	rpm	2000 to 3000
CO @ idle speed [3000 rpm] - see page VI	%	≤0.1
HC @ idle speed [3000 rpm] - see page VI	ppm	≤200
CO ₂ @ idle speed [3000 rpm] - see page VI	%	—
O ₂ @ idle speed [3000 rpm] - see page VI	%	—
Carburettor / fuel injection	Keihin	
Type / ref	Twin choke	
Main jet / needle	—	
Injection pressure	bar	—
Pump pressure	bar	0.17 to 0.23
Octane rating	RON	91[R]

Ignition system Accord & Aerodeck 1985 to 1989

Type	Electronic	
Ignition coil	—	
Primary resistance	ohms	1.22 to 1.49
Ballast resistor	ohms	—
Voltage - Tmnl 15(+) to earth	V	—
Distributor	Hitachi/Toyo Denso	
Points gap (air gap)	mm	[equal gaps]
Dwell angle	° (%)	—
Condenser capacity	µF	—
Rotation	Clockwise	
Ignition timing - basic [static	° Crankshaft @ rpm	20±2 BTDC @ idle [AT: 15±2]
V = Vacuum NV = No Vacuum	NV	
Total ignition advance	° Crankshaft @ rpm	—
	° Crankshaft @ rpm	—
	° Crankshaft @ rpm	—
Centrifugal check.	° Crankshaft @ rpm	Electronic control
	° Crankshaft @ rpm	—
	° Crankshaft @ rpm	—
Vacuum range check	mbar	Electronic control
Maximum vacuum advance	° Crankshaft	—
Spark plugs	NGK/Champion	
Type	BCPR6EY-11 / RN9YC	
Electrode gap	mm	1.00 to 1.10

Electrical system Accord & Aerodeck 1985 to 1989

Battery	V / CC / RC	12 / 410 / 50Ah
Alternator voltage / full load current / engine rpm	14.0 / _ / 3000	
Starter motor current / voltage - cranking	A / V	—
- locked	A / V	—

Running gear Accord & Aerodeck 1985 to 1989

Brakes -		
Front (min. friction material thickness)	mm	3.0
Rear (min. friction material thickness)	mm	2.0
Tyres		
Saloon	Size	185/70x13: 185/65x14
Estate / Van	Size	185/70x13: 185/65x14
Pressure - front / rear - Saloon	bar	1.8 / 1.8
- Estate / Van	bar	1.8 / 1.8
Front suspension / wheel alignment		
Toe-in (+) / Toe-out (-)	mm [°]	0±3.0
Camber	0±1°	
Castor	+31'±1°	
King pin inclination	+6°50'	
Rear suspension / wheel alignment		
Toe-in (+) / Toe-out (-)	mm [°]	0±2.0
Camber	0±1°	

Torque wrench settings Accord & Aerodeck 1985 to 1989

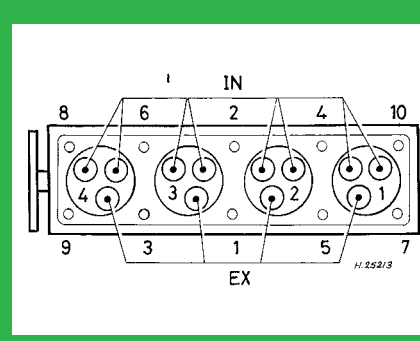
Cylinder head - stage 1	Nm	30 oiled
- stage 2	Nm	68
Cylinder head - stage 3	Nm	—
- stage 4	Nm	—
Big-end bearings	Nm	32. 1989: 47
Main bearings	Nm	68 oiled. 1989: 72
Clutch cover	Nm	26
Flywheel [driveplate]	Nm	105 [75]
Front hubs	Nm	185
Rear hubs	Nm	185
Wheel nuts / bolts	Nm	110
Spark plugs	Nm	18

Capacities Accord & Aerodeck 1985 to 1989

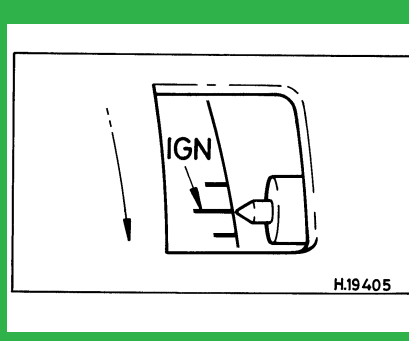
Engine oil & filter	litres	3.5
Gearbox - 4-speed [5-speed]	litres	2.3
Automatic transmission - refill	litres	3.0
Final drive	litres	WT
Cooling system	litres	6.3 [AT: 6.9]
Fuel tank	litres	60

Notes and Illustrations

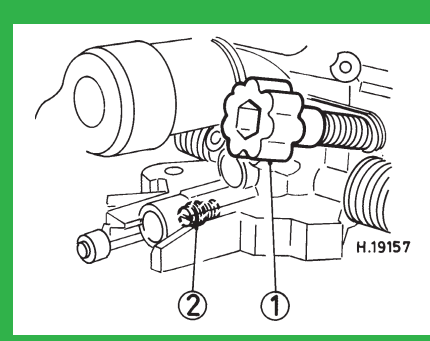
1: Idle speed 2: CO / Mixture



1955 cm³



1995 cm³



Keihin 2V