

Engine & Cooling	Fuel	Ignition	Electrical	Running gear	Torque settings	Capacities	Notes & Illustrations
------------------	------	----------	------------	--------------	-----------------	------------	-----------------------



Automotive Technical DATA BOOK

Click on one of the buttons above to view data for this car. To return to this screen and make another choice, click anywhere on the data screen.

MENU **HELP**

Engine and cooling system Civic 1.6i-16 & CRX 1987 to 1992

Type		D16A9 DOHC 16V
Capacity (cm ³) / number of cylinders		1590 / 4
Compression ratio / pressure	bar	9.5 / ≥9.3
Oil pressure	bar	1.4 [4.7]
Oil temperature	°C	80
Valve clearance - inlet	mm	0.12 to 0.17
Valve clearance - exhaust	mm	0.14 to 0.19
Firing order		1-3-4-2
No 1 cylinder position		TBE
Thermostat opening temperature	°C	78±2
Radiator cap pressure	bar	0.74 to 1.03

Fuel system Civic 1.6i-16 & CRX 1987 to 1992

Idle speed - manual [auto]	rpm	800±50
Fast idle speed - manual [auto]	rpm	1000 to 2000
CO @ idle speed [3000 rpm] - see page VI	%	≤0.1
HC @ idle speed [3000 rpm] - see page VI	ppm	≤200
CO ₂ @ idle speed [3000 rpm] - see page VI	%	—
O ₂ @ idle speed [3000 rpm] - see page VI	%	—
Carburettor / fuel injection		Honda
Type / ref		PGM-Fi
Main jet / needle		—
Injection pressure	bar	2.3 to 2.7
Pump pressure	bar	2.5
Octane rating	RON	97[E 95 RON]

Ignition system Civic 1.6i-16 & CRX 1987 to 1992

Type		Computerized
Ignition coil		—
Primary resistance	ohms	1.24 to 1.46
Ballast resistor	ohms	—
Voltage - Tmnl 15(+) to earth	V	—
Distributor		—
Points gap (air gap)	mm	[equal gaps]
Dwell angle	° (%)	—
Condenser capacity	µF	—
Rotation		Clockwise
Ignition timing - basic [static	° Crankshaft @ rpm	16±2 BTDC @ idle
V = Vacuum NV = No Vacuum		V
Total ignition advance	° Crankshaft @ rpm	—
	° Crankshaft @ rpm	—
	° Crankshaft @ rpm	—
Centrifugal check.	° Crankshaft @ rpm	Computer control
	° Crankshaft @ rpm	—
	° Crankshaft @ rpm	—
Vacuum range check	mbar	Computer control
Maximum vacuum advance	° Crankshaft	—
Spark plugs		NGK/Champion
Type		BCPR6EY-11 / RC7YC4
Electrode gap	mm	1.00 to 1.10

Electrical system Civic 1.6i-16 & CRX 1987 to 1992

Battery	V / CC / RC	12 / 45Ah
Alternator voltage / full load current / engine rpm		13.5 to 14.5 / 60 / 2000
Starter motor current / voltage - cranking	A / V	200 to 350 / 8.0
- locked	A / V	380 / 5.0

Running gear Civic 1.6i-16 & CRX 1987 to 1992

Brakes -		
Front (min. friction material thickness)	mm	3.0
Rear (min. friction material thickness)	mm	1.6
Tyres		
Saloon	Size	185/60x14
Estate / Van	Size	—
Pressure - front / rear - Saloon	bar	1.9 / 1.8
- Estate / Van	bar	—
Front suspension / wheel alignment		
Toe-in (+) / Toe-out (-)	mm [°]	0±2.0'
Camber		0±1°. CRX: -10'±1°
Castor		+2°59'±1°. CRX: +2°55'±1°
King pin inclination		+7°34'. CRX: +12°55'
Rear suspension / wheel alignment		
Toe-in (+) / Toe-out (-)	mm [°]	+2.0±2.0
Camber		-26'±1°. CRX: -45'±15'

Torque wrench settings Civic 1.6i-16 & CRX 1987 to 1992

Cylinder head - stage 1	Nm	30 oiled
- stage 2	Nm	65
Cylinder head - stage 3	Nm	—
- stage 4	Nm	—
Big-end bearings	Nm	32
Main bearings	Nm	58 oiled
Clutch cover	Nm	26
Flywheel [driveplate]	Nm	120
Front hubs	Nm	185
Rear hubs	Nm	185
Wheel nuts / bolts	Nm	110
Spark plugs	Nm	18

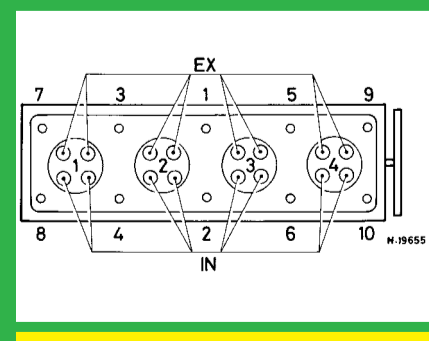
Capacities Civic 1.6i-16 & CRX 1987 to 1992

Engine oil & filter	litres	3.8
Gearbox - 4-speed [5-speed]	litres	1.8. CRX: 2.3
Automatic transmission - refill	litres	—
Final drive	litres	WT
Cooling system	litres	4.5
Fuel tank	litres	45

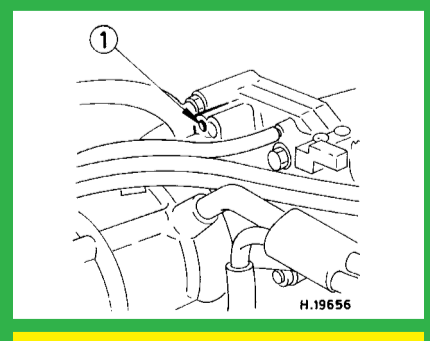
Notes and Illustrations

¹CRX: 0±3.0

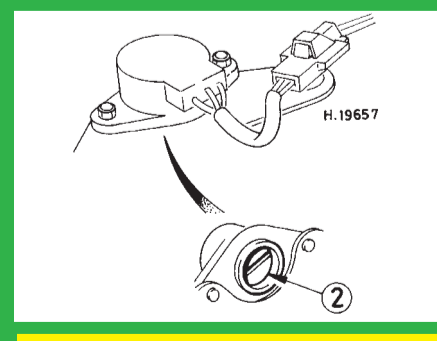
1: Idle speed 2: CO / Mixture



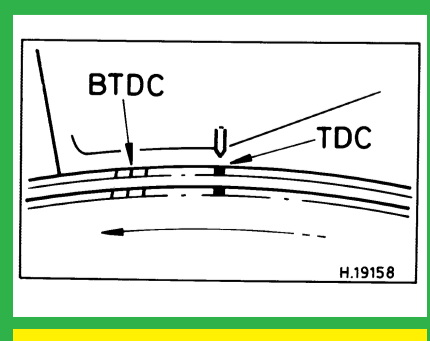
1590 cm³



PGM-Fi, 1590 cm³



PGM-Fi, 1590 cm³



1590 cm³