

Engine & Cooling	Fuel	Ignition	Electrical	Running gear	Torque settings	Capacities	Notes & Illustrations
------------------	------	----------	------------	--------------	-----------------	------------	-----------------------



# Automotive Technical DATA BOOK

Click on one of the buttons above to view data for this car. To return to this screen and make another choice, click anywhere on the data screen.

**MENU**      **HELP**

### Engine and cooling system 190E & CAT (201.024)<sup>1</sup> 1988 to 1989

Type		102.962 KE 90kW CAT: 87kW
Capacity (cm <sup>3</sup> ) / number of cylinders		1997 / 4
Compression ratio / pressure	bar	9.1 / ≥8.5
Oil pressure	bar	0.3 [3.0]
Oil temperature	°C	90
Valve clearance - inlet	mm	0: Hyd.
Valve clearance - exhaust	mm	0: Hyd.
Firing order		1-3-4-2
No 1 cylinder position		F
Thermostat opening temperature	°C	87±2
Radiator cap pressure	bar	1.2±0.1

### Fuel system 190E & CAT (201.024)<sup>1</sup> 1988 to 1989

Idle speed - manual [auto]	rpm	700 to 800
Fast idle speed - manual [auto]	rpm	—
CO @ idle speed [3000 rpm] - see page VI	%	1.0±0.5. CAT: ≤0.5
HC @ idle speed [3000 rpm] - see page VI	ppm	≤1200
CO <sub>2</sub> @ idle speed [3000 rpm] - see page VI	%	—
O <sub>2</sub> @ idle speed [3000 rpm] - see page VI	%	—
Carburettor / fuel injection		Bosch
Type / ref		CIS-E (KE-Jetronic)
Main jet / needle		—
Injection pressure	bar	≥3.2
Pump pressure	bar	5.3 to 5.5
Octane rating	RON	98[E 95 RON] <sup>2</sup>

### Ignition system 190E & CAT (201.024)<sup>1</sup> 1988 to 1989

Type		EZL
Ignition coil		Bosch
Primary resistance	ohms	0.3 to 0.6
Ballast resistor	ohms	—
Voltage - Tmnl 15(+) to earth	V	Battery
Distributor		Bosch
Points gap (air gap)	mm	—
Dwell angle	° (%)	9 to 49 @ starter speed
Condenser capacity	µF	—
Rotation		—
Ignition timing - basic [static	° Crankshaft @ rpm	8 to 12 BTDC @ idle
V = Vacuum    NV = No Vacuum		—
Total ignition advance	° Crankshaft @ rpm	36 to 40 @ 3200
	° Crankshaft @ rpm	—
	° Crankshaft @ rpm	—
Centrifugal check.	° Crankshaft @ rpm	Computer control
	° Crankshaft @ rpm	—
	° Crankshaft @ rpm	—
Vacuum range check	mbar	Computer control
Maximum vacuum advance	° Crankshaft	—
Spark plugs		Bosch/Champion
Type		H7D / S9YC
Electrode gap	mm	0.80

### Electrical system 190E & CAT (201.024)<sup>1</sup> 1988 to 1989

Battery	V / CC / RC	12 / 190 / 62Ah
Alternator voltage / full load current / engine rpm		13.0 to 14.5 / 70 / 3000
Starter motor current / voltage - cranking	A / V	75 / 11.5 (no load)
- locked	A / V	430 to 550 / 3.2

### Running gear 190E & CAT (201.024)<sup>1</sup> 1988 to 1989

<b>Brakes -</b>		
Front (min. friction material thickness)	mm	3.5
Rear (min. friction material thickness)	mm	2.0
<b>Tyres</b>		
Saloon	Size	185/65x15: 205/55x15
Estate / Van	Size	—
Pressure - front / rear - Saloon	bar	2.0 / 2.2
- Estate / Van	bar	—
<b>Front suspension / wheel alignment</b>		
Toe-in (+) / Toe-out (-)	mm [°]	[+20'±10']
Camber		-25'+10'-20'. Sport: -50'
Castor		+10°25'±30'. Sport: +10°40'
King pin inclination		—
<b>Rear suspension / wheel alignment</b>		
Toe-in (+) / Toe-out (-)	mm [°]	[+25'+10'-5']
Camber		-1°30'±30'

### Torque wrench settings 190E & CAT (201.024)<sup>1</sup> 1988 to 1989

Cylinder head - stage 1	Nm	55 <sup>3</sup>
- stage 2	Nm	+ 90°
Cylinder head - stage 3	Nm	+ 90°
- stage 4	Nm	—
Big-end bearings	Nm	30 + 90 to 100°
Main bearings	Nm	M12: 90 <sup>4</sup>
Clutch cover	Nm	25
Flywheel [driveplate]	Nm	30 + 90 to 100°
Front hubs	Nm	WSM
Rear hubs	Nm	200 to 240
Wheel nuts / bolts	Nm	110
Spark plugs	Nm	20

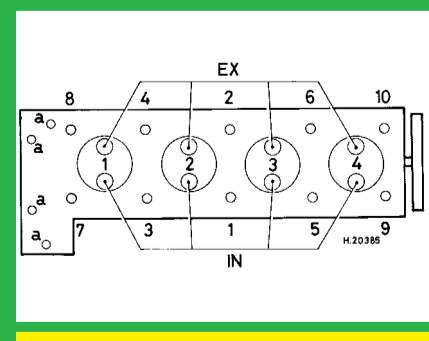
### Capacities 190E & CAT (201.024)<sup>1</sup> 1988 to 1989

Engine oil & filter	litres	5.0
Gearbox - 4-speed [5-speed]	litres	1.3 [1.5]
Automatic transmission - refill	litres	5.5
Final drive	litres	0.7
Cooling system	litres	8.5
Fuel tank	litres	55. Opt: 70

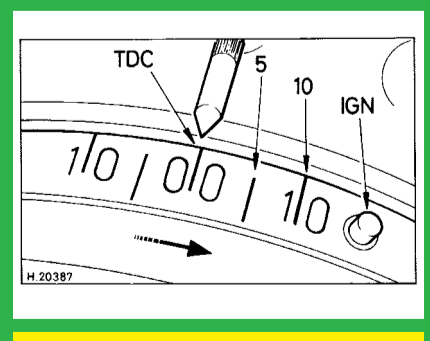
### Notes and Illustrations

<sup>1</sup>From 9.88 to 9.89 only  
<sup>2</sup>CAT: [U]  
<sup>3</sup>Bolts marked "a" on diagram: 21  
<sup>4</sup>M11: 55 + 90 to 100°

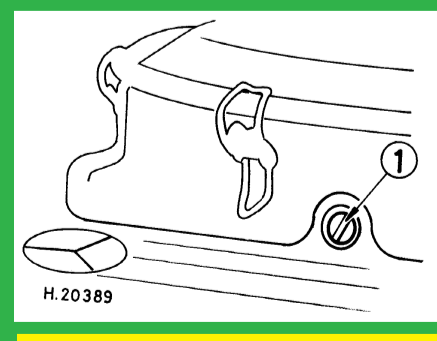
1: Idle speed      2: CO / Mixture



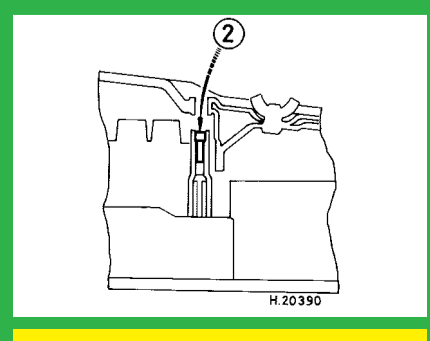
1997 cm<sup>3</sup>



1997 cm<sup>3</sup>



KE-Jetronic



KE-Jetronic