

Engine & Cooling	Fuel	Ignition	Electrical	Running gear	Torque settings	Capacities	Notes & Illustrations
------------------	------	----------	------------	--------------	-----------------	------------	-----------------------



Automotive Technical DATA BOOK

Click on one of the buttons above to view data for this car. To return to this screen and make another choice, click anywhere on the data screen.

MENU

HELP

Engine and cooling system 560 SE, SEL, SEC & CAT¹ 1987 to 1992

Type		117.968 KE 220kW CAT: 205kW
Capacity (cm ³) / number of cylinders		5547 / 8
Compression ratio / pressure	bar	10.0 / ≥12.0
Oil pressure	bar	0.3 [3.0]
Oil temperature	°C	–
Valve clearance - inlet	mm	0: Hyd.
Valve clearance - exhaust	mm	0: Hyd.
Firing order		1-5-4-8-6-3-7-2
No 1 cylinder position		FR
Thermostat opening temperature	°C	80±2
Radiator cap pressure	bar	1.2±0.1

Fuel system 560 SE, SEL, SEC & CAT¹ 1987 to 1992

Idle speed - manual [auto]	rpm	600 to 750
Fast idle speed - manual [auto]	rpm	–
CO @ idle speed [3000 rpm] - see page VI	%	1.5±0.5. CAT: ≤0.5
HC @ idle speed [3000 rpm] - see page VI	ppm	≤1200
CO ₂ @ idle speed [3000 rpm] - see page VI	%	–
O ₂ @ idle speed [3000 rpm] - see page VI	%	–
Carburettor / fuel injection		Bosch
Type / ref		CIS-E (KE-Jetronic)
Main jet / needle		–
Injection pressure	bar	≥3.7
Pump pressure	bar	6.2 to 6.4
Octane rating	RON	95[E 95 RON] ²

Ignition system 560 SE, SEL, SEC & CAT¹ 1987 to 1992

Type		EZL
Ignition coil		Bosch
Primary resistance	ohms	0.2 to 0.4
Ballast resistor	ohms	–
Voltage - Tmnl 15(+) to earth	V	Battery
Distributor		Bosch
Points gap (air gap)	mm	–
Dwell angle	° (%)	1 to 18 @ starter speed
Condenser capacity	µF	–
Rotation		–
Ignition timing - basic [static	° Crankshaft @ rpm	10 to 18 BTDC @ idle ³
V = Vacuum NV = No Vacuum		NV
Total ignition advance	° Crankshaft @ rpm	–
	° Crankshaft @ rpm	41 to 45 BTDC @ 3500
	° Crankshaft @ rpm	CAT: 40 to 44 BTDC @ 3500
Centrifugal check.	° Crankshaft @ rpm	Computer control
	° Crankshaft @ rpm	–
	° Crankshaft @ rpm	–
Vacuum range check	mbar	Computer control
Maximum vacuum advance	° Crankshaft	–
Spark plugs		Bosch/Champion
Type		W7DC / N9YC
Electrode gap	mm	0.80

Electrical system 560 SE, SEL, SEC & CAT¹ 1987 to 1992

Battery	V / CC / RC	12 / 280 / 92Ah
Alternator voltage / full load current / engine rpm		13.0 to 14.5 / 80 / 3000
Starter motor current / voltage - cranking	A / V	–
- locked	A / V	650 to 840 / 3.8

Running gear 560 SE, SEL, SEC & CAT¹ 1987 to 1992

Brakes -		
Front (min. friction material thickness)	mm	2.0
Rear (min. friction material thickness)	mm	2.0

Tyres		
Saloon	Size	215/65x15
Estate / Van	Size	–
Pressure - front / rear - Saloon	bar	2.1 / 2.1
- Estate / Van	bar	–

Front suspension / wheel alignment		
Toe-in (+) / Toe-out (-)	mm [°]	[+25'±10']
Camber		0+10'-20'
Castor		+10°15'±30'
King pin inclination		–

Rear suspension / wheel alignment		
Toe-in (+) / Toe-out (-)	mm [°]	[+10' to 35']
Camber		-1°45'±30'

Torque wrench settings 560 SE, SEL, SEC & CAT¹ 1987 to 1992

Cylinder head - stage 1	Nm	30 ⁴
- stage 2	Nm	60
Cylinder head - stage 3	Nm	Wait 10 min.
- stage 4	Nm	60
Big-end bearings	Nm	45 + 90 to 100°
Main bearings	Nm	M10: 50. M11: ⁵
Clutch cover	Nm	–
Flywheel [driveplate]	Nm	35 + 90 to 100°
Front hubs	Nm	WSM
Rear hubs	Nm	–
Wheel nuts / bolts	Nm	110
Spark plugs	Nm	25 to 30

Capacities 560 SE, SEL, SEC & CAT¹ 1987 to 1992

Engine oil & filter	litres	8.0
Gearbox - 4-speed [5-speed]	litres	–
Automatic transmission - refill	litres	7.7
Final drive	litres	1.3
Cooling system	litres	13.0
Fuel tank	litres	90

Notes and Illustrations

¹(126.038/039/045)

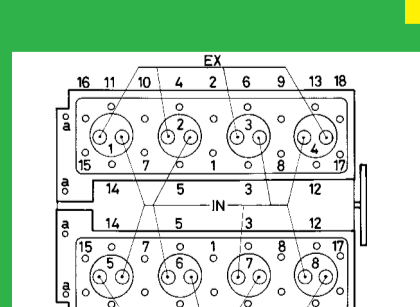
²CAT: [U]

³CAT: 10 to 14 BTDC @ idle

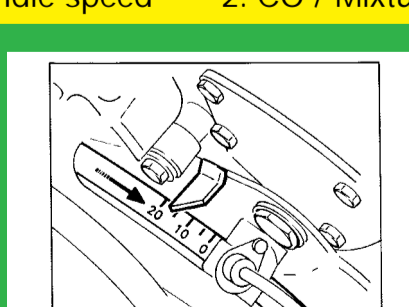
⁴Bolts marked "a" on diagram: 25

⁵M11: 55 + 90 to 100°

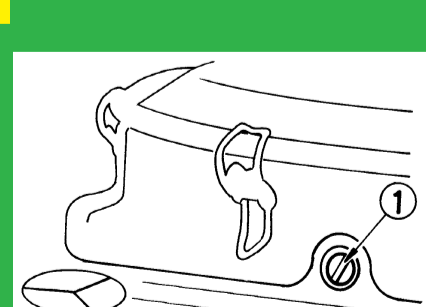
1: Idle speed 2: CO / Mixture



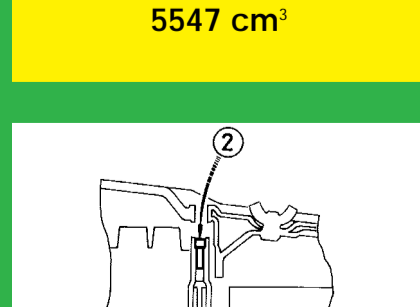
5547 cm³



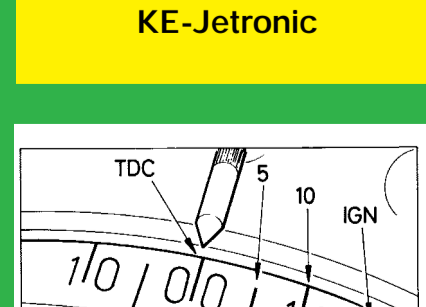
5547 cm³



KE-Jetronic



KE-Jetronic



5547 cm³, alternative