

Engine & Cooling	Fuel	Ignition	Electrical	Running gear	Torque settings	Capacities	Notes & Illustrations
------------------	------	----------	------------	--------------	-----------------	------------	-----------------------



Automotive Technical DATA BOOK

Click on one of the buttons above to view data for this car. To return to this screen and make another choice, click anywhere on the data screen.

MENU **HELP**

Engine and cooling system Colt, Lancer 1500 1988 to 1990

Type		4G15
Capacity (cm ³) / number of cylinders		1468 / 4
Compression ratio / pressure	bar	9.4 / ≥9.6
Oil pressure	bar	—
Oil temperature	°C	—
Valve clearance - inlet	mm	0.15 H
Valve clearance - exhaust	mm	0.25 H
Firing order		1-3-4-2
No 1 cylinder position		TBE
Thermostat opening temperature	°C	88
Radiator cap pressure	bar	0.76 to 1.04

Fuel system Colt, Lancer 1500 1988 to 1990

Idle speed - manual [auto]	rpm	800±50 [850±50]
Fast idle speed - manual [auto]	rpm	—
CO @ idle speed [3000 rpm] - see page VI	%	1.0±0.5
HC @ idle speed [3000 rpm] - see page VI	ppm	≤1200
CO ₂ @ idle speed [3000 rpm] - see page VI	%	—
O ₂ @ idle speed [3000 rpm] - see page VI	%	—
Carburettor / fuel injection		Aisan
Type / ref		5EUA [5EVA, AT] (2V)
Main jet / needle		—
Injection pressure	bar	—
Pump pressure	bar	0.19 to 0.26
Octane rating	RON	98[E 95 RON]

Ignition system Colt, Lancer 1500 1988 to 1990

Type		Electronic
Ignition coil		F-100
Primary resistance	ohms	1.08 to 1.32
Ballast resistor	ohms	1.22 to 1.49
Voltage - Tmnl 15(+) to earth	V	—
Distributor		Mitsubishi
Points gap (air gap)	mm	—
Dwell angle	° (%)	—
Condenser capacity	µF	—
Rotation		—
Ignition timing - basic [static	° Crankshaft @ rpm	4±2 BTDC @ idle
V = Vacuum NV = No Vacuum		NV
Total ignition advance	° Crankshaft @ rpm	—
° Crankshaft @ rpm		—
° Crankshaft @ rpm		—
Centrifugal check.	° Crankshaft @ rpm	0 @ 1600
° Crankshaft @ rpm		6 @ 3800
° Crankshaft @ rpm		14 @ 6000
Vacuum range check	mbar	173 to 400
Maximum vacuum advance	° Crankshaft	15
Spark plugs		NGK/Champion
Type		BPR6ES / RN9YC
Electrode gap	mm	0.70 to 0.80

Electrical system Colt, Lancer 1500 1988 to 1990

Battery	V / CC / RC	12 / 101 / 348
Alternator voltage / full load current / engine rpm		13.4 to 14.9 / _ / 2500
Starter motor current / voltage - cranking	A / V	—
- locked	A / V	—

Running gear Colt, Lancer 1500 1988 to 1990

Brakes -		
Front (min. friction material thickness)	mm	2.0
Rear (min. friction material thickness)	mm	1.0

Tyres		
Saloon	Size	155x13: 175/70x13
Estate / Van	Size	—
Pressure - front / rear - Saloon	bar	2.0 / 2.0
- Estate / Van	bar	—

Front suspension / wheel alignment		
Toe-in (+) / Toe-out (-)	mm [°]	0±1.5
Camber		0±30'
Castor		+2°20'±30'
King pin inclination		+12°30'

Rear suspension / wheel alignment		
Toe-in (+) / Toe-out (-)	mm [°]	0±2.25 PW
Camber		-40'±35'

Torque wrench settings Colt, Lancer 1500 1988 to 1990

Cylinder head - stage 1	Nm	35
- stage 2	Nm	70 to 75 C
Cylinder head - stage 3	Nm	80 to 85 H
- stage 4	Nm	—
Big-end bearings	Nm	32 to 35
Main bearings	Nm	50 to 55
Clutch cover	Nm	15 to 21
Flywheel [driveplate]	Nm	130 to 140
Front hubs	Nm	200 to 260
Rear hubs	Nm	150 to 200
Wheel nuts / bolts	Nm	90 to 110
Spark plugs	Nm	20 to 30

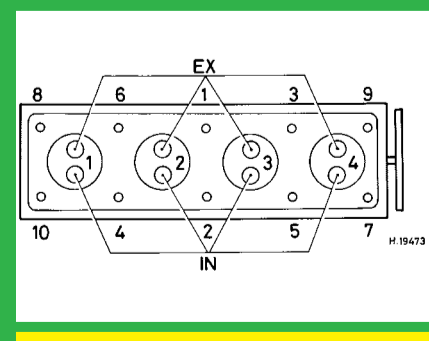
Capacities Colt, Lancer 1500 1988 to 1990

Engine oil & filter	litres	3.4
Gearbox - 4-speed [5-speed]	litres	1.8
Automatic transmission - refill	litres	6.1
Final drive	litres	WT
Cooling system	litres	5.0
Fuel tank	litres	50

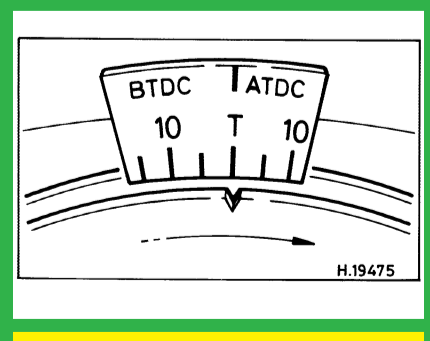
Notes and Illustrations



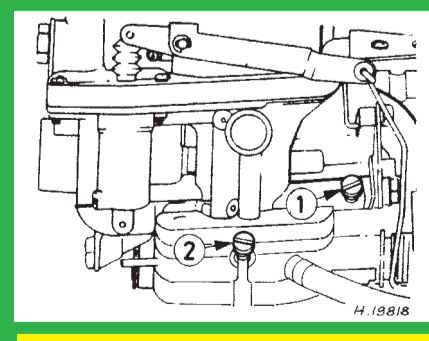
1: Idle speed 2: CO / Mixture



1468 cm³, 8V



1468 cm³



Aisan, 8V