

Engine & Cooling	Fuel	Ignition	Electrical	Running gear	Torque settings	Capacities	Notes & Illustrations
------------------	------	----------	------------	--------------	-----------------	------------	-----------------------



Automotive Technical DATA BOOK

Click on one of the buttons above to view data for this car. To return to this screen and make another choice, click anywhere on the data screen.

MENU

HELP

Engine and cooling system Bluebird 1.6 (T72) 1988 to 1990

Type		CA 16S SOHC
Capacity (cm ³) / number of cylinders		1598 / 4
Compression ratio / pressure	bar	9.0 / ≥9.0
Oil pressure	bar	1.0 [3.9]
Oil temperature	°C	–
Valve clearance - inlet	mm	0.30 H
Valve clearance - exhaust	mm	0.30 H
Firing order		1-3-4-2
No 1 cylinder position		TBE
Thermostat opening temperature	°C	82
Radiator cap pressure	bar	0.78 to 0.98

Fuel system Bluebird 1.6 (T72) 1988 to 1990

Idle speed - manual [auto]	rpm	650±50
Fast idle speed - manual [auto]	rpm	2100 to 2400
CO @ idle speed [3000 rpm] - see page VI	%	1.0±0.5
HC @ idle speed [3000 rpm] - see page VI	ppm	≤1200
CO ₂ @ idle speed [3000 rpm] - see page VI	%	–
O ₂ @ idle speed [3000 rpm] - see page VI	%	–
Carburettor / fuel injection		Nikki
Type / ref		21E304-A11
Main jet / needle		103, 180
Injection pressure	bar	–
Pump pressure	bar	0.20 to 0.27
Octane rating	RON	97[R]

Ignition system Bluebird 1.6 (T72) 1988 to 1990

Type		Electronic
Ignition coil		Hanshin STC-106
Primary resistance	ohms	1.3 to 1.7
Ballast resistor	ohms	–
Voltage - Tmnl 15(+) to earth	V	–
Distributor		Hitachi
Points gap (air gap)	mm	[0.30 to 0.50]
Dwell angle	° (%)	–
Condenser capacity	µF	–
Rotation		Anticlockwise
Ignition timing - basic [static	° Crankshaft @ rpm	5±1 BTDC @ 650±50
V = Vacuum NV = No Vacuum		NV
Total ignition advance	° Crankshaft @ rpm	–
	° Crankshaft @ rpm	–
	° Crankshaft @ rpm	–
Centrifugal check.	° Crankshaft @ rpm	0 @ 1400
	° Crankshaft @ rpm	13 @ 2800
	° Crankshaft @ rpm	20 @ 4400
Vacuum range check	mbar	93 to 467
Maximum vacuum advance	° Crankshaft	15
Spark plugs		NGK/Champion
Type		BCPR5ES / RC7YC
Electrode gap	mm	0.80 to 0.90

Electrical system Bluebird 1.6 (T72) 1988 to 1990

Battery	V / CC / RC	12 / 60Ah
Alternator voltage / full load current / engine rpm		14.1 to 14.7 / _ / 2500
Starter motor current / voltage - cranking	A / V	60 to 100 / 11.5 (no load)
- locked	A / V	–

Running gear Bluebird 1.6 (T72) 1988 to 1990

Brakes -		
Front (min. friction material thickness)	mm	2.0
Rear (min. friction material thickness)	mm	1.5

Tyres		
Saloon	Size	165x14: 185/70x14
Estate / Van	Size	–
Pressure - front / rear - Saloon	bar	1.8 / 1.8
- Estate / Van	bar	–

Front suspension / wheel alignment

Toe-in (+) / Toe-out (-)	mm [°]	+1.0 to 3.0
Camber		-25' to +1°5'
Castor		+1°20' to 2°50'
King pin inclination		+14°15' to 15°45'

Rear suspension / wheel alignment

Toe-in (+) / Toe-out (-)	mm [°]	-2.0 to -6.0
Camber		-1°10' to +20'

Torque wrench settings Bluebird 1.6 (T72) 1988 to 1990

Cylinder head - stage 1	Nm	29
- stage 2	Nm	78, then loosen bolts
Cylinder head - stage 3	Nm	29
- stage 4	Nm	74 to 83
Big-end bearings	Nm	32 to 36
Main bearings	Nm	45 to 54
Clutch cover	Nm	18 to 22
Flywheel [driveplate]	Nm	98 to 108
Front hubs	Nm	235 to 314
Rear hubs	Nm	WSM
Wheel nuts / bolts	Nm	98 to 118
Spark plugs	Nm	20 to 29

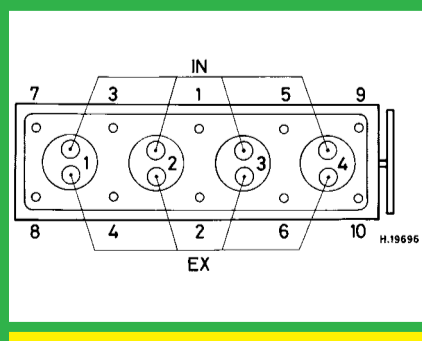
Capacities Bluebird 1.6 (T72) 1988 to 1990

Engine oil & filter	litres	3.6
Gearbox - 4-speed [5-speed]	litres	2.7
Automatic transmission - refill	litres	–
Final drive	litres	WT
Cooling system	litres	7.3
Fuel tank	litres	60

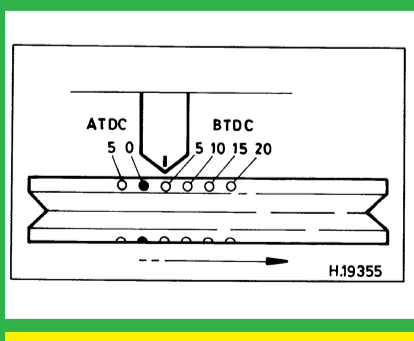
Notes and Illustrations



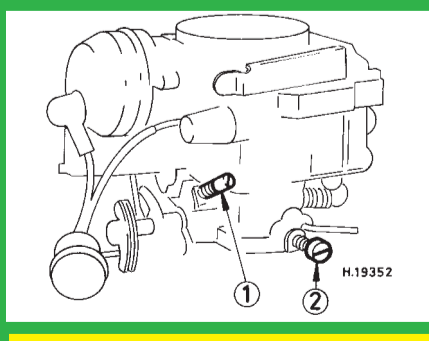
1: Idle speed 2: CO / Mixture



1598 cm³



1598 cm³



Nikki