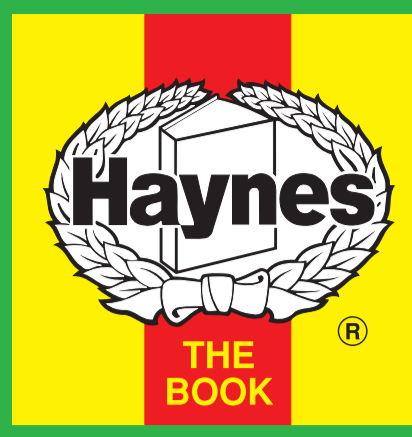


Engine & Cooling	Fuel	Ignition	Electrical	Running gear	Torque settings	Capacities	Notes & Illustrations
------------------	------	----------	------------	--------------	-----------------	------------	-----------------------



Automotive Technical DATA BOOK

Click on one of the buttons above to view data for this car. To return to this screen and make another choice, click anywhere on the data screen.

MENU **HELP**

Engine and cooling system Serena 1.6i (C23) 1993 to 1997

Type		GA16DE DOHC 16V 71kW
Capacity (cm ³) / number of cylinders		1597 / 4
Compression ratio / pressure	bar	9.5 / ≥11.3
Oil pressure	bar	[3.4 to 4.4]
Oil temperature	°C	80
Valve clearance - inlet	mm	0.21 to 0.49 H
Valve clearance - exhaust	mm	0.30 to 0.58 H
Firing order		1-3-4-2
No 1 cylinder position		F
Thermostat opening temperature	°C	76.5
Radiator cap pressure	bar	0.78 to 0.98

Fuel system Serena 1.6i (C23) 1993 to 1997

Idle speed - manual [auto]	rpm	750±50
Fast idle speed - manual [auto]	rpm	—
CO @ idle speed [3000 rpm] - see page VI	%	≤0.5 N/A
HC @ idle speed [3000 rpm] - see page VI	ppm	≤200
CO ₂ @ idle speed [3000 rpm] - see page VI	%	—
O ₂ @ idle speed [3000 rpm] - see page VI	%	—
Carburettor / fuel injection		Nissan
Type / ref		ECCS MPFI
Main jet / needle		—
Injection pressure	bar	2.55
Pump pressure	bar	2.5
Octane rating	RON	95[U]

Ignition system Serena 1.6i (C23) 1993 to 1997

Type		Electronic
Ignition coil		Hanshin SMC-400
Primary resistance	ohms	0.9
Ballast resistor	ohms	—
Voltage - Tmnl 15(+) to earth	V	12.0
Distributor		Hitachi
Points gap (air gap)	mm	[0.30 to 0.45]
Dwell angle	° (%)	—
Condenser capacity	µF	—
Rotation		Anticlockwise
Ignition timing - basic [static	° Crankshaft @ rpm	10±2 BTDC @ 750
V = Vacuum NV = No Vacuum		NV
Total ignition advance	° Crankshaft @ rpm	—
	° Crankshaft @ rpm	—
	° Crankshaft @ rpm	—
Centrifugal check.	° Crankshaft @ rpm	Computer control
	° Crankshaft @ rpm	—
	° Crankshaft @ rpm	—
Vacuum range check	mbar	Computer control
Maximum vacuum advance	° Crankshaft	—
Spark plugs		NGK
Type		BKR5E
Electrode gap	mm	0.80 to 0.90

Electrical system Serena 1.6i (C23) 1993 to 1997

Battery	V / CC / RC	12 / 60Ah
Alternator voltage / full load current / engine rpm		14.1 to 14.7 / 63 / 3000
Starter motor current / voltage - cranking	A / V	75 to 78 / 11.5
- locked	A / V	—

Running gear Serena 1.6i (C23) 1993 to 1997

Brakes -		
Front (min. friction material thickness)	mm	2.0
Rear (min. friction material thickness)	mm	1.5
Tyres		
Saloon	Size	175x14: 195/70x14
Estate / Van	Size	—
Pressure - front / rear - Saloon	bar	2.5 / 2.5
- Estate / Van	bar	—
Front suspension / wheel alignment		
Toe-in (+) / Toe-out (-)	mm [°]	+3.5 to 5.5. 95 ▶: 3.1 to 5.1
Camber		-30' to 1°. 95▶: -15' to 1°15'
Castor		+2°5' to 3°35'
King pin inclination		+12°45' to 14°15'
Rear suspension / wheel alignment		
Toe-in (+) / Toe-out (-)	mm [°]	—
Camber		—

Torque wrench settings Serena 1.6i (C23) 1993 to 1997

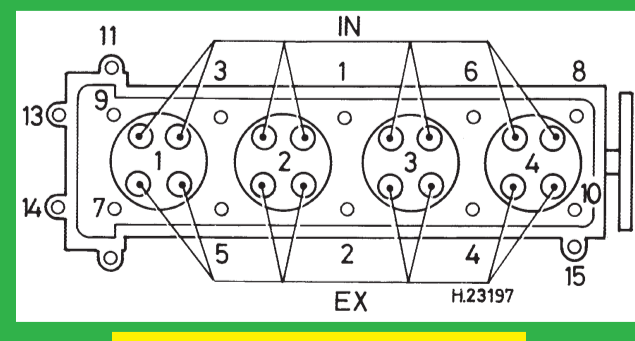
Cylinder head - stage 1	Nm	29
- stage 2	Nm	59, loosen completely
Cylinder head - stage 3	Nm	29
- stage 4	Nm	+ 50 to 55 ^{o2}
Big-end bearings	Nm	14 to 16 + 35 to 40°
Main bearings	Nm	46 to 52
Clutch cover	Nm	22 to 29
Flywheel [driveplate]	Nm	83 to 93
Front hubs	Nm	206 to 284
Rear hubs	Nm	WSM
Wheel nuts / bolts	Nm	98 to 118
Spark plugs	Nm	20 to 29

Capacities Serena 1.6i (C23) 1993 to 1997

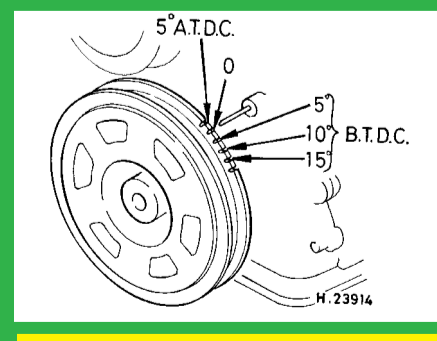
Engine oil & filter	litres	3.5
Gearbox - 4-speed [5-speed]	litres	2.1
Automatic transmission - refill	litres	—
Final drive	litres	1.5
Cooling system	litres	8.3
Fuel tank	litres	60

Notes and Illustrations

¹95 ▶: 2°35' to 3°35'
²Tighten bolts 11 to 15 to 6.3 to 8.3



1597 cm³



1597 cm³