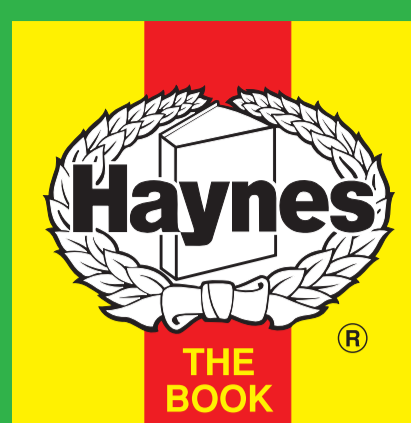


Engine & Cooling	Fuel	Ignition	Electrical	Running gear	Torque settings	Capacities	Notes & Illustrations
------------------	------	----------	------------	--------------	-----------------	------------	-----------------------



Automotive Technical DATA BOOK

Click on one of the buttons above to view data for this car. To return to this screen and make another choice, click anywhere on the data screen.

MENU **HELP**

Engine and cooling system 205, 1.1 & Van 1988 to 1994

Type	TU1(K) (H1A) (40kW)	
Capacity (cm ³) / number of cylinders	1124 / 4	
Compression ratio / pressure	bar	9.4 / _
Oil pressure	bar	1.5 [3.0]
Oil temperature	°C	80
Valve clearance - inlet	mm	0.20
Valve clearance - exhaust	mm	0.40
Firing order	1-3-4-2	
No 1 cylinder position	FE	
Thermostat opening temperature	°C	88
Radiator cap pressure	bar	1.0

Fuel system 205, 1.1 & Van 1988 to 1994

Idle speed - manual [auto]	rpm	850±50
Fast idle speed - manual [auto]	rpm	_
CO @ idle speed [3000 rpm] - see page VI	%	_
HC @ idle speed [3000 rpm] - see page VI	ppm	≤1200
CO ₂ @ idle speed [3000 rpm] - see page VI	%	_
O ₂ @ idle speed [3000 rpm] - see page VI	%	_
Carburettor / fuel injection	Weber/Solex	
Type / ref	W: 32 IBS. S: 32 PBISA 16	
Main jet / needle	W: 140±5. S: 127.5 ¹	
Injection pressure	bar	_
Pump pressure	bar	0.25
Octane rating	RON	97[E 95 RON]

Ignition system 205, 1.1 & Van 1988 to 1994

Type	Electronic	
Ignition coil	_	
Primary resistance	ohms	0.7
Ballast resistor	ohms	_
Voltage - Tmnl 15(+) to earth	V	_
Distributor	Bosch	
Points gap (air gap)	mm	_
Dwell angle	° (%)	_
Condenser capacity	µF	_
Rotation	Anticlockwise	
Ignition timing - basic [static	° Crankshaft @ rpm	8 BTDC @ 800
V = Vacuum NV = No Vacuum	NV	
Total ignition advance	° Crankshaft @ rpm	C041-D029
	° Crankshaft @ rpm	_
	° Crankshaft @ rpm	_
Centrifugal check.	° Crankshaft @ rpm	6 to 8 @ 1000
	° Crankshaft @ rpm	18 to 22 @ 2400
	° Crankshaft @ rpm	26 to 30 @ 4400
Vacuum range check	mbar	287 to 600
Maximum vacuum advance	° Crankshaft	11 to 15
Spark plugs	Bosch/Champion	
Type	F7DCOR / C9YCX	
Electrode gap	mm	0.80

Electrical system 205, 1.1 & Van 1988 to 1994

Battery	V / CC / RC	12 / 175 / 60
Alternator voltage / full load current / engine rpm	13.8 to 14.8 / _ / 3000	
Starter motor current / voltage - cranking	A / V	_
- locked	A / V	_

Running gear 205, 1.1 & Van 1988 to 1994

Brakes -		
Front (min. friction material thickness)	mm	1.0
Rear (min. friction material thickness)	mm	_
Tyres		
Saloon	Size	145x13: 145/70x13
Estate / Van	Size	165/70x13
Pressure - front / rear - Saloon	bar	2.0 / 2.2
- Estate / Van	bar	2.0 / 2.1
Front suspension / wheel alignment		
Toe-in (+) / Toe-out (-)	mm [°]	+1.0±0.5 PW ²
Camber		0±30'
Castor		+3°±30'
King pin inclination		+9°45'±30'
Rear suspension / wheel alignment		
Toe-in (+) / Toe-out (-)	mm [°]	+1.7±0.8 PW
Camber		-50'±30'

Torque wrench settings 205, 1.1 & Van 1988 to 1994

Cylinder head - stage 1	Nm	20
- stage 2	Nm	+ 240°
Cylinder head - stage 3	Nm	_
- stage 4	Nm	_
Big-end bearings	Nm	40
Main bearings	Nm	WSM
Clutch cover	Nm	15
Flywheel [driveplate]	Nm	65 LkC
Front hubs	Nm	265
Rear hubs	Nm	215
Wheel nuts / bolts	Nm	85
Spark plugs	Nm	28

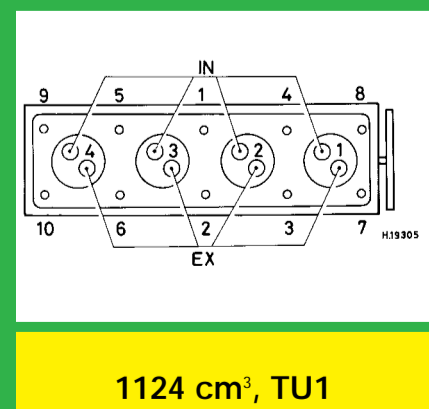
Capacities 205, 1.1 & Van 1988 to 1994

Engine oil & filter	litres	3.5
Gearbox - 4-speed [5-speed]	litres	2.0
Automatic transmission - refill	litres	_
Final drive	litres	WT
Cooling system	litres	5.8
Fuel tank	litres	50

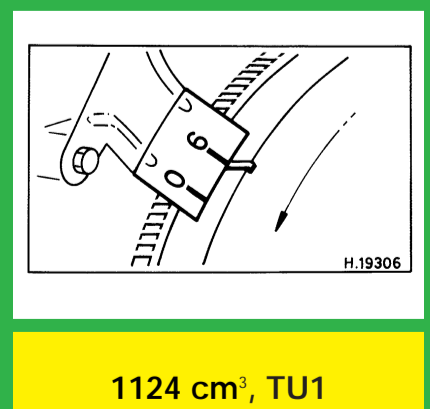
Notes and Illustrations

¹Van: W: 132. S: 127.5
²Van, 25434223 ▶: +1.0±1.0

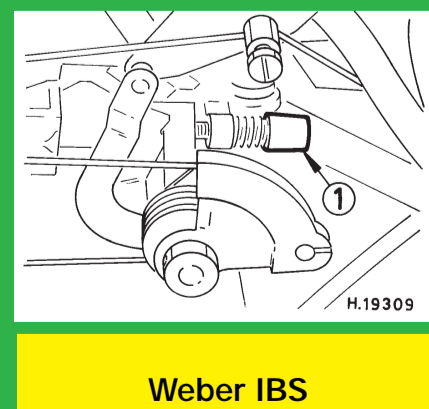
1: Idle speed 2: CO / Mixture



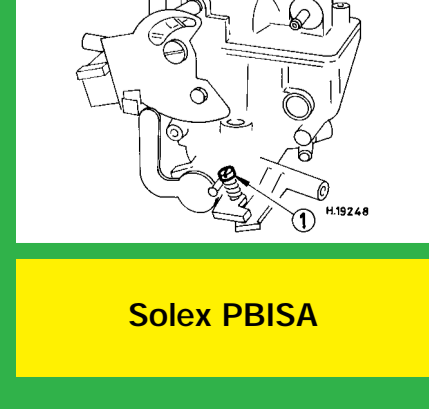
1124 cm³, TU1



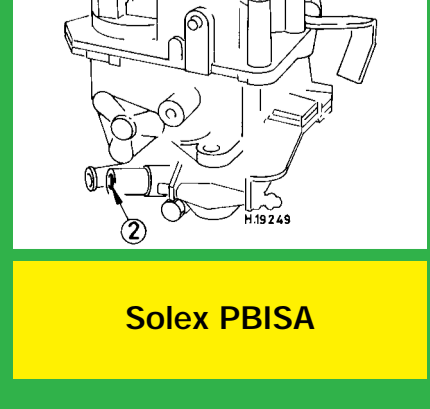
1124 cm³, TU1



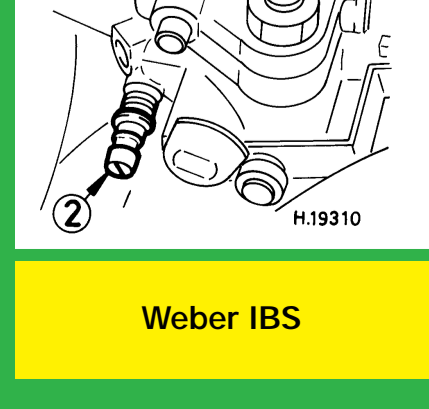
Weber IBS



Solex PBISA



Solex PBISA



Weber IBS