

Engine & Cooling	Fuel	Ignition	Electrical	Running gear	Torque settings	Capacities	Notes & Illustrations
------------------	------	----------	------------	--------------	-----------------	------------	-----------------------



Automotive Technical DATA BOOK

Click on one of the buttons above to view data for this car. To return to this screen and make another choice, click anywhere on the data screen.

MENU **HELP**

Engine and cooling system 309, 1.1 1986 to 1990

Type	E1 (1E1A) (40kW)	
Capacity (cm ³) / number of cylinders	1118 / 4	
Compression ratio / pressure	bar	9.6 / _
Oil pressure	bar	1.2 [3.6]
Oil temperature	°C	80
Valve clearance - inlet	mm	0.25
Valve clearance - exhaust	mm	0.30
Firing order	1-3-4-2	
No 1 cylinder position	FE	
Thermostat opening temperature	°C	89
Radiator cap pressure	bar	1.0

Fuel system 309, 1.1 1986 to 1990

Idle speed - manual [auto]	rpm	900±50
Fast idle speed - manual [auto]	rpm	_
CO @ idle speed [3000 rpm] - see page VI	%	1.0 to 2.0
HC @ idle speed [3000 rpm] - see page VI	ppm	≤1200
CO ₂ @ idle speed [3000 rpm] - see page VI	%	_
O ₂ @ idle speed [3000 rpm] - see page VI	%	_
Carburettor / fuel injection	Bressel-Weber/Solex	
Type / ref	B-W: 32 IBSH. S: 32 BISA	
Main jet / needle	130	
Injection pressure	bar	_
Pump pressure	bar	0.25
Octane rating	RON	97[E 95 RON]

Ignition system 309, 1.1 1986 to 1990

Type	Electronic - Hall effect	
Ignition coil	Bosch, Ducellier BTR01	
Primary resistance	ohms	0.7
Ballast resistor	ohms	_
Voltage - Tmnl 15(+) to earth	V	_
Distributor	Bosch/Ducellier	
Points gap (air gap)	mm	_
Dwell angle	° (%)	_
Condenser capacity	µF	_
Rotation	Clockwise	
Ignition timing - basic [static	° Crankshaft @ rpm	8 BTDC @ 650
V = Vacuum NV = No Vacuum	NV	
Total ignition advance	° Crankshaft @ rpm	C002-D002
	° Crankshaft @ rpm	_
	° Crankshaft @ rpm	_
Centrifugal check.	° Crankshaft @ rpm	5 to 9 @ 1100
	° Crankshaft @ rpm	22 to 26 @ 2600
	° Crankshaft @ rpm	30 to 34 @ 4400
Vacuum range check	mbar	227 to 400
Maximum vacuum advance	° Crankshaft	10 to 14
Spark plugs	Eyquem/Champion	
Type	FC52LS / C9YCX	
Electrode gap	mm	0.80

Electrical system 309, 1.1 1986 to 1990

Battery	V / CC / RC	12 / 210 / 65
Alternator voltage / full load current / engine rpm	13.8 to 14.8 / _ / 3000	
Starter motor current / voltage - cranking	A / V	_
- locked	A / V	_

Running gear 309, 1.1 1986 to 1990

Brakes -		
Front (min. friction material thickness)	mm	1.0
Rear (min. friction material thickness)	mm	_
Tyres		
Saloon	Size	145x13
Estate / Van	Size	_
Pressure - front / rear - Saloon	bar	1.9 / 2.1
- Estate / Van	bar	_

Front suspension / wheel alignment

Toe-in (+) / Toe-out (-)	mm [°]	+0.5±0.5 PW
Camber		-30'±30'
Castor		+2°±30'
King pin inclination		+10°15'±30'

Rear suspension / wheel alignment

Toe-in (+) / Toe-out (-)	mm [°]	+1.6±0.8 PW
Camber		-50'±30'

Torque wrench settings 309, 1.1 1986 to 1990

Cylinder head - stage 1	Nm	50
- stage 2	Nm	70
Cylinder head - stage 3	Nm	Warm up, then cool down
- stage 4	Nm	Slacken, then 70
Big-end bearings	Nm	38
Main bearings	Nm	65
Clutch cover	Nm	15
Flywheel [driveplate]	Nm	55 LkC
Front hubs	Nm	265
Rear hubs	Nm	215
Wheel nuts / bolts	Nm	85
Spark plugs	Nm	20 to 30

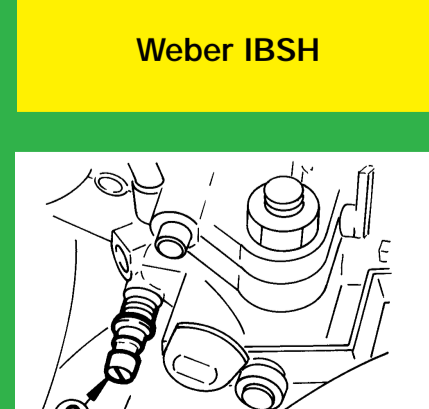
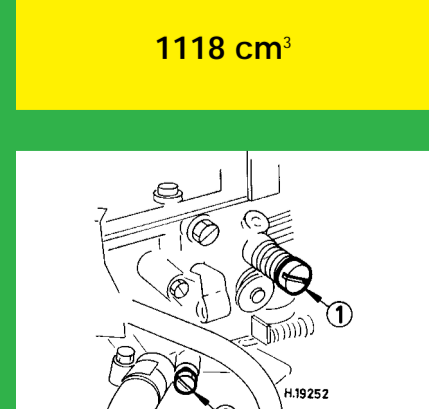
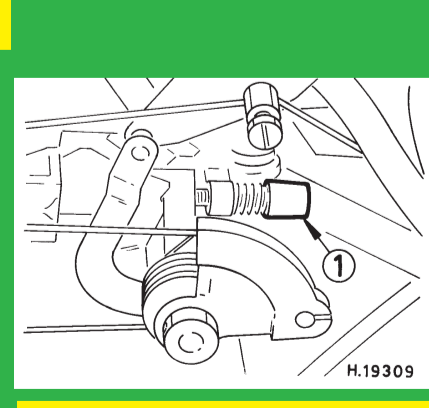
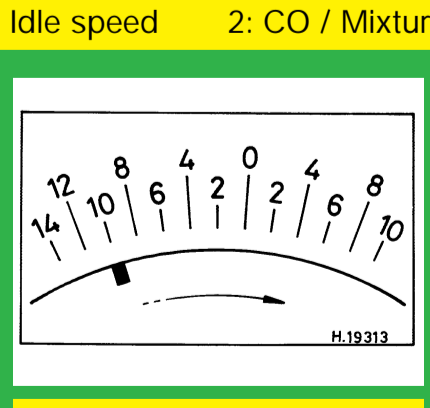
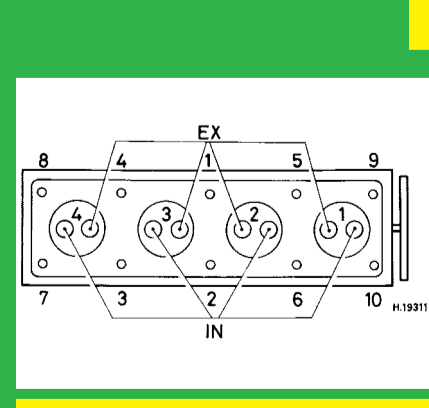
Capacities 309, 1.1 1986 to 1990

Engine oil & filter	litres	3.3
Gearbox - 4-speed [5-speed]	litres	2.0
Automatic transmission - refill	litres	_
Final drive	litres	WT
Cooling system	litres	6.6
Fuel tank	litres	50 or 55

Notes and Illustrations



1: Idle speed 2: CO / Mixture



Solex BISA

Weber IBSH