

Engine & Cooling	Fuel	Ignition	Electrical	Running gear	Torque settings	Capacities	Notes & Illustrations
------------------	------	----------	------------	--------------	-----------------	------------	-----------------------



Automotive Technical DATA BOOK

Click on one of the buttons above to view data for this car. To return to this screen and make another choice, click anywhere on the data screen.

MENU **HELP**

Engine and cooling system 309, 1.4 1991 to 1992

Type	TU3F.2/K (K2D) (55kW)	
Capacity (cm ³) / number of cylinders	1360 / 4	
Compression ratio / pressure	bar	9.3 / _
Oil pressure	bar	1.5 [3.0]
Oil temperature	°C	80
Valve clearance - inlet	mm	0.20
Valve clearance - exhaust	mm	0.40
Firing order	1-3-4-2	
No 1 cylinder position	FE	
Thermostat opening temperature	°C	89 to 101
Radiator cap pressure	bar	1.0

Fuel system 309, 1.4 1991 to 1992

Idle speed - manual [auto]	rpm	750±50
Fast idle speed - manual [auto]	rpm	_
CO @ idle speed [3000 rpm] - see page VI	%	0.8 to 1.5
HC @ idle speed [3000 rpm] - see page VI	ppm	≤1200
CO ₂ @ idle speed [3000 rpm] - see page VI	%	_
O ₂ @ idle speed [3000 rpm] - see page VI	%	_
Carburettor / fuel injection	Solex	
Type / ref	32-34 Z2 528	
Main jet / needle	120, 122	
Injection pressure	bar	_
Pump pressure	bar	0.25
Octane rating	RON	97[E 95 RON]

Ignition system 309, 1.4 1991 to 1992

Type	Electronic - Hall effect	
Ignition coil	Bosch, Ducellier BTR01	
Primary resistance	ohms	0.7
Ballast resistor	ohms	_
Voltage - Tmnl 15(+) to earth	V	_
Distributor	Bosch/Ducellier	
Points gap (air gap)	mm	_
Dwell angle	° (%)	_
Condenser capacity	µF	_
Rotation	Clockwise	
Ignition timing - basic [static	° Crankshaft @ rpm	8 BTDC @ 750
V = Vacuum NV = No Vacuum	NV	
Total ignition advance	° Crankshaft @ rpm	C068-D047
	° Crankshaft @ rpm	_
	° Crankshaft @ rpm	_
Centrifugal check.	° Crankshaft @ rpm	6 to 8 @ 1000
	° Crankshaft @ rpm	12 to 14 @ 2400
	° Crankshaft @ rpm	17 to 19 @ 5600
Vacuum range check	mbar	240 to 613
Maximum vacuum advance	° Crankshaft	14 to 18
Spark plugs	Eyquem/Champion	
Type	FC52LS / C9YCX	
Electrode gap	mm	0.80

Electrical system 309, 1.4 1991 to 1992

Battery	V / CC / RC	12 / 210 / 65 (12L1 200)
Alternator voltage / full load current / engine rpm	13.8 to 14.8 / _ / 3000	
Starter motor current / voltage - cranking	A / V	_
- locked	A / V	_

Running gear 309, 1.4 1991 to 1992

Brakes -		
Front (min. friction material thickness)	mm	1.0
Rear (min. friction material thickness)	mm	_

Tyres		
Saloon	Size	145x13: 165/70x13
Estate / Van	Size	_
Pressure - front / rear - Saloon	bar	1.9 / 2.1
- Estate / Van	bar	_

Front suspension / wheel alignment

Toe-in (+) / Toe-out (-)	mm [°]	+0.5±0.5 PW
Camber	-30'±30'	
Castor	+2°±30'	
King pin inclination	+10°15'±30'	

Rear suspension / wheel alignment

Toe-in (+) / Toe-out (-)	mm [°]	+1.8±0.8) PW
Camber	-50'±30'	

Torque wrench settings 309, 1.4 1991 to 1992

Cylinder head - stage 1	Nm	20
- stage 2	Nm	+ 240°
Cylinder head - stage 3	Nm	_
- stage 4	Nm	_
Big-end bearings	Nm	40
Main bearings	Nm	WSM
Clutch cover	Nm	15
Flywheel [driveplate]	Nm	65 LkC
Front hubs	Nm	265
Rear hubs	Nm	215
Wheel nuts / bolts	Nm	85
Spark plugs	Nm	28

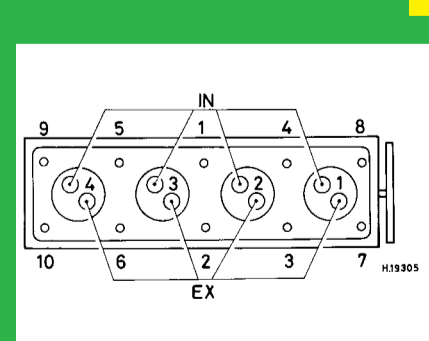
Capacities 309, 1.4 1991 to 1992

Engine oil & filter	litres	3.5
Gearbox - 4-speed [5-speed]	litres	2.0
Automatic transmission - refill	litres	_
Final drive	litres	WT
Cooling system	litres	5.7
Fuel tank	litres	55

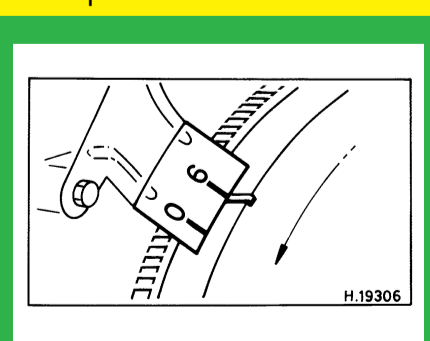
Notes and Illustrations



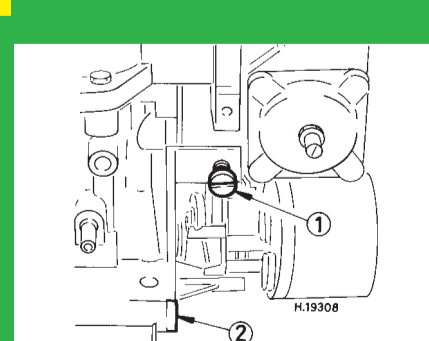
1: Idle speed 2: CO / Mixture



1360 cm³



1360 cm³



Solex Z2