

Engine & Cooling	Fuel	Ignition	Electrical	Running gear	Torque settings	Capacities	Notes & Illustrations
------------------	------	----------	------------	--------------	-----------------	------------	-----------------------



Automotive Technical DATA BOOK

Click on one of the buttons above to view data for this car. To return to this screen and make another choice, click anywhere on the data screen.

MENU

HELP

Engine and cooling system 405, 1.9i 1988 to 1991

Type	XU9J2 (D6A) (90kW)	
Capacity (cm ³) / number of cylinders	1905 / 4	
Compression ratio / pressure	bar	9.3 / _
Oil pressure	bar	2.1 [4.1]
Oil temperature	°C	80
Valve clearance - inlet	mm	0.20
Valve clearance - exhaust	mm	0.40
Firing order	1-3-4-2	
No 1 cylinder position	FE	
Thermostat opening temperature	°C	88
Radiator cap pressure	bar	1.0

Fuel system 405, 1.9i 1988 to 1991

Idle speed - manual [auto]	rpm	900±50
Fast idle speed - manual [auto]	rpm	_
CO @ idle speed [3000 rpm] - see page VI	%	2.0±0.5
HC @ idle speed [3000 rpm] - see page VI	ppm	≤1200
CO ₂ @ idle speed [3000 rpm] - see page VI	%	12.5±0.5
O ₂ @ idle speed [3000 rpm] - see page VI	%	_
Carburettor / fuel injection	Bosch	
Type / ref	L3.1-Jetronic	
Main jet / needle	_	
Injection pressure	bar	2.3 to 2.7
Pump pressure	bar	2.5
Octane rating	RON	97[RA] ¹

Ignition system 405, 1.9i 1988 to 1991

Type	Electronic	
Ignition coil	_	
Primary resistance	ohms	0.7
Ballast resistor	ohms	_
Voltage - Tmnl 15(+) to earth	V	_
Distributor	_	
Points gap (air gap)	mm	_
Dwell angle	° (%)	_
Condenser capacity	µF	_
Rotation	Anticlockwise	
Ignition timing - basic [static	° Crankshaft @ rpm	5 BTDC @ 900 ¹
V = Vacuum NV = No Vacuum	_	
Total ignition advance	° Crankshaft @ rpm	C037-D019
	° Crankshaft @ rpm	_
	° Crankshaft @ rpm	_
Centrifugal check.	° Crankshaft @ rpm	5 to 11 @ 1350
	° Crankshaft @ rpm	18 to 24 @ 2000
	° Crankshaft @ rpm	25 to 29 @ 3200
Vacuum range check	mbar	160 to 547
Maximum vacuum advance	° Crankshaft	18 to 22
Spark plugs	Eyquem/Champion	
Type	FC58LS / C7YCX	
Electrode gap	mm	0.80±0.10

Electrical system 405, 1.9i 1988 to 1991

Battery	V / CC / RC	12 / 200 / 33
Alternator voltage / full load current / engine rpm	13.8 to 14.8 / _ / 3000	
Starter motor current / voltage - cranking	A / V	_
- locked	A / V	_

Running gear 405, 1.9i 1988 to 1991

Brakes -		
Front (min. friction material thickness)	mm	_
Rear (min. friction material thickness)	mm	_

Tyres		
Saloon	Size	185/65x14
Estate / Van	Size	185/65x14
Pressure - front / rear - Saloon	bar	2.0 / 2.0 ²
- Estate / Van	bar	2.1 / 2.2 ³

Front suspension / wheel alignment		
Toe-in (+) / Toe-out (-)	mm [°]	+1.0±0.5 PW
Camber		0±30'
Castor		+2°25'±30' ⁴
King pin inclination		+11°25'±30'

Rear suspension / wheel alignment		
Toe-in (+) / Toe-out (-)	mm [°]	-2.5±0.8 PW ⁵
Camber		-1°20'±30'

Torque wrench settings 405, 1.9i 1988 to 1991

Cylinder head - stage 1	Nm	60
- stage 2	Nm	Slacken
Cylinder head - stage 3	Nm	20
- stage 4	Nm	+ 300°
Big-end bearings	Nm	40 ⁶
Main bearings	Nm	49
Clutch cover	Nm	25
Flywheel [driveplate]	Nm	49 LkC
Front hubs	Nm	265
Rear hubs	Nm	275
Wheel nuts / bolts	Nm	85
Spark plugs	Nm	27

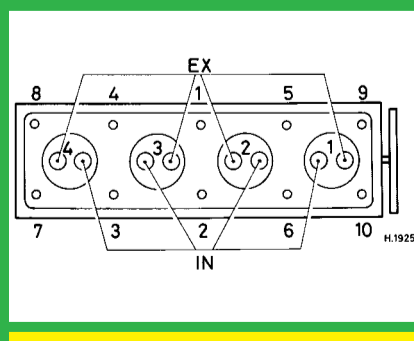
Capacities 405, 1.9i 1988 to 1991

Engine oil & filter	litres	5.0
Gearbox - 4-speed [5-speed]	litres	2.0
Automatic transmission - refill	litres	2.4
Final drive	litres	WT
Cooling system	litres	6.6
Fuel tank	litres	70

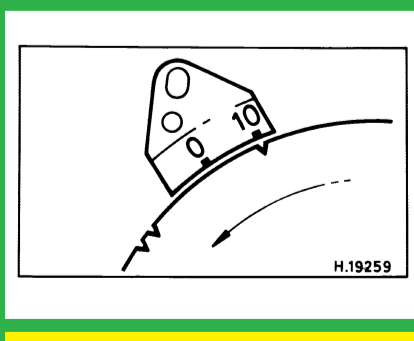
Notes and Illustrations

- ¹[E 95 RON], -3°
- ²AT: 2.0 / 2.1
- ³AT: 2.1 / 2.3
- ⁴Saloon PAS: +3°10'±30'
- ⁵Estate: +1.4±0.8
- ⁶Slacken, then 20 + 70°

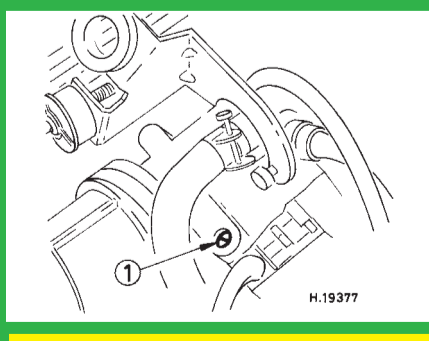
1: Idle speed 2: CO / Mixture



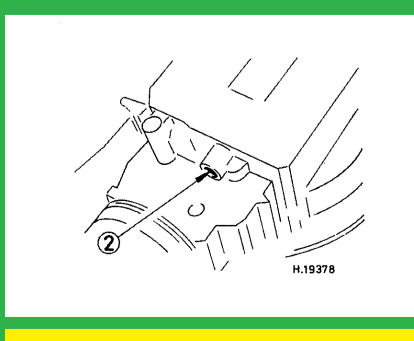
1905 cm³, 8V



1905 cm³, 8V, XU9J2 (D6A)



L3.1-Jetronic



L3.1-Jetronic