

Engine & Cooling	Fuel	Ignition	Electrical	Running gear	Torque settings	Capacities	Notes & Illustrations
------------------	------	----------	------------	--------------	-----------------	------------	-----------------------



Automotive Technical DATA BOOK

Click on one of the buttons above to view data for this car. To return to this screen and make another choice, click anywhere on the data screen.

MENU

HELP

Engine and cooling system 405 Mi 16 & Mi 16x4 1988 to 1992

Type	XU9J4 (D6C) (116kW) DOHC 16V	
Capacity (cm ³) / number of cylinders	1905 / 4	
Compression ratio / pressure	bar	10.4 / _
Oil pressure	bar	2.0 [4.9]
Oil temperature	°C	80
Valve clearance - inlet	mm	0: Hyd.
Valve clearance - exhaust	mm	0: Hyd.
Firing order	1-3-4-2	
No 1 cylinder position	FE	
Thermostat opening temperature	°C	88
Radiator cap pressure	bar	1.0

Fuel system 405 Mi 16 & Mi 16x4 1988 to 1992

Idle speed - manual [auto]	rpm	880±50 N/A
Fast idle speed - manual [auto]	rpm	_
CO @ idle speed [3000 rpm] - see page VI	%	1.5 to 2.0
HC @ idle speed [3000 rpm] - see page VI	ppm	≤1200
CO ₂ @ idle speed [3000 rpm] - see page VI	%	≥10.0
O ₂ @ idle speed [3000 rpm] - see page VI	%	_
Carburettor / fuel injection	Bosch	
Type / ref	Motronic ML4.1. 91 ▶: M1.3	
Main jet / needle	_	
Injection pressure	bar	3.0
Pump pressure	bar	2.8 to 3.2
Octane rating	RON	97[E 98 RON]

Ignition system 405 Mi 16 & Mi 16x4 1988 to 1992

Type	DME Motronic	
Ignition coil	Bosch	
Primary resistance	ohms	0.7
Ballast resistor	ohms	_
Voltage - Tmnl 15(+) to earth	V	_
Distributor	Bosch	
Points gap (air gap)	mm	_
Dwell angle	° (%)	_
Condenser capacity	µF	_
Rotation	_	
Ignition timing - basic [static	° Crankshaft @ rpm	Computer control
V = Vacuum NV = No Vacuum		
Total ignition advance	° Crankshaft @ rpm	_
	° Crankshaft @ rpm	_
	° Crankshaft @ rpm	_
Centrifugal check.	° Crankshaft @ rpm	Computer control
	° Crankshaft @ rpm	_
	° Crankshaft @ rpm	_
Vacuum range check	mbar	Computer control
Maximum vacuum advance	° Crankshaft	_
Spark plugs	Eyquem/Champion	
Type	FC62LS3 / C7YCX	
Electrode gap	mm	1.20

Electrical system 405 Mi 16 & Mi 16x4 1988 to 1992

Battery	V / CC / RC	12 / 200 / 33
Alternator voltage / full load current / engine rpm	13.8 to 14.8 / _ / 3000	
Starter motor current / voltage - cranking	A / V	_
- locked	A / V	_

Running gear 405 Mi 16 & Mi 16x4 1988 to 1992

Brakes -		
Front (min. friction material thickness)	mm	_
Rear (min. friction material thickness)	mm	_

Tyres		
Saloon	Size	195/60x14: 195/55x15
Estate / Van	Size	_
Pressure - front / rear - Saloon	bar	2.0 / 2.1 ¹
- Estate / Van	bar	_

Front suspension / wheel alignment

Toe-in (+) / Toe-out (-)	mm [°]	+1.0±0.5 PW ²
Camber		0±30'
Castor		+3°25'±30'. 4x4: +2°25'±30'
King pin inclination		+11°30'±30'. 4x4: +11°25'±30'

Rear suspension / wheel alignment

Toe-in (+) / Toe-out (-)	mm [°]	+3.0±0.8 ³
Camber		-1°20'±30'

Torque wrench settings 405 Mi 16 & Mi 16x4 1988 to 1992

Cylinder head - stage 1	Nm	60
- stage 2	Nm	Slacken
Cylinder head - stage 3	Nm	20
- stage 4	Nm	+ 300°
Big-end bearings	Nm	40 ⁴
Main bearings	Nm	53
Clutch cover	Nm	22
Flywheel [driveplate]	Nm	50 LkC
Front hubs	Nm	265
Rear hubs	Nm	275
Wheel nuts / bolts	Nm	85
Spark plugs	Nm	27

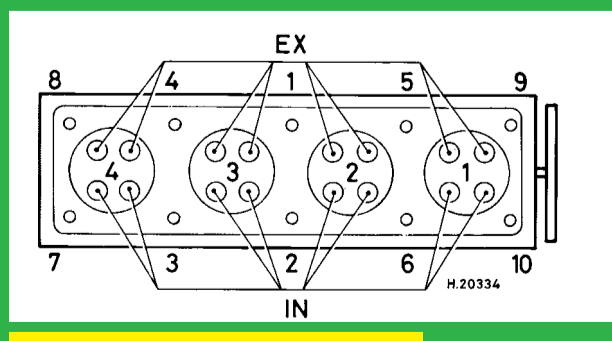
Capacities 405 Mi 16 & Mi 16x4 1988 to 1992

Engine oil & filter	litres	5.3
Gearbox - 4-speed [5-speed]	litres	2.0 ⁵
Automatic transmission - refill	litres	_
Final drive	litres	4x4: 1.6
Cooling system	litres	7.2
Fuel tank	litres	70

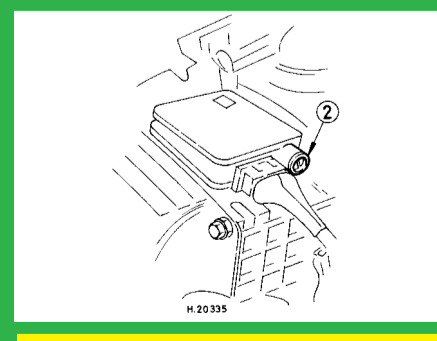
Notes and Illustrations

- ¹195/55x15: 2.1 / 2.1
- ²4x4: +1.8±0.5
- ³4x4: +1.7±0.9
- ⁴Slacken, then 20 + 70°
- ⁵Transfer box: 1.8

1: Idle speed 2: CO / Mixture



1905 cm³, 16V



ML4.1 / M1.3-Motronic