

Engine & Cooling	Fuel	Ignition	Electrical	Running gear	Torque settings	Capacities	Notes & Illustrations
------------------	------	----------	------------	--------------	-----------------	------------	-----------------------



# Automotive Technical DATA BOOK

Click on one of the buttons above to view data for this car. To return to this screen and make another choice, click anywhere on the data screen.

MENU

HELP

### Engine and cooling system 19, 16V, 16S (B/C/L539) 1991 to 1993

Type		F7P-7-00 DOHC 16V
Capacity (cm <sup>3</sup> ) / number of cylinders		1764 / 4
Compression ratio / pressure	bar	10.0 / _
Oil pressure	bar	[2.0 to 3.5]
Oil temperature	°C	80
Valve clearance - inlet	mm	0: Hyd.
Valve clearance - exhaust	mm	0: Hyd.
Firing order		1-3-4-2
No 1 cylinder position		FE
Thermostat opening temperature	°C	89
Radiator cap pressure	bar	1.2

### Fuel system 19, 16V, 16S (B/C/L539) 1991 to 1993

Idle speed - manual [auto]	rpm	900±50 N/A
Fast idle speed - manual [auto]	rpm	_
CO @ idle speed [3000 rpm] - see page VI	%	1.5±0.5
HC @ idle speed [3000 rpm] - see page VI	ppm	≤1200
CO <sub>2</sub> @ idle speed [3000 rpm] - see page VI	%	_
O <sub>2</sub> @ idle speed [3000 rpm] - see page VI	%	_
Carburettor / fuel injection		Siemens Bendix
Type / ref		Renix MPI EFI
Main jet / needle		_
Injection pressure	bar	2.5±0.2
Pump pressure	bar	3.0±0.2
Octane rating	RON	98[E 95 RON]

### Ignition system 19, 16V, 16S (B/C/L539) 1991 to 1993

Type		Computerized
Ignition coil		Renix
Primary resistance	ohms	0.4 to 0.8
Ballast resistor	ohms	_
Voltage - Tmnl 15(+) to earth	V	_
Distributor		_
Points gap (air gap)	mm	_
Dwell angle	° (%)	_
Condenser capacity	µF	_
Rotation		_
Ignition timing - basic [static	° Crankshaft @ rpm	Computer control
V = Vacuum NV = No Vacuum		_
Total ignition advance	° Crankshaft @ rpm	_
	° Crankshaft @ rpm	_
	° Crankshaft @ rpm	_
Centrifugal check.	° Crankshaft @ rpm	Computer control
	° Crankshaft @ rpm	_
	° Crankshaft @ rpm	_
Vacuum range check	mbar	Computer control
Maximum vacuum advance	° Crankshaft	_
Spark plugs		Bosch/Champion
Type		F6DC / C7YCC
Electrode gap	mm	0.90±0.05

### Electrical system 19, 16V, 16S (B/C/L539) 1991 to 1993

Battery	V / CC / RC	12 / 50Ah
Alternator voltage / full load current / engine rpm		13.5 / 70 / 3000
Starter motor current / voltage - cranking	A / V	_
- locked	A / V	450 / _

### Running gear 19, 16V, 16S (B/C/L539) 1991 to 1993

<b>Brakes -</b>		
Front (min. friction material thickness)	mm	6.0 with backing
Rear (min. friction material thickness)	mm	5.0 with backing

<b>Tyres</b>		
Saloon	Size	195/50x15
Estate / Van	Size	_
Pressure - front / rear - Saloon	bar	2.2 / 2.2
- Estate / Van	bar	_

### Front suspension / wheel alignment

Toe-in (+) / Toe-out (-)	mm [°]	-1.0±1.0 UL
Camber		-15'±30' N/A
Castor		+4'±30' N/A
King pin inclination		+10°40'±30' N/A

### Rear suspension / wheel alignment

Toe-in (+) / Toe-out (-)	mm [°]	+1.0 to 3.0 UL
Camber		-50'±30' N/A

### Torque wrench settings 19, 16V, 16S (B/C/L539) 1991 to 1993

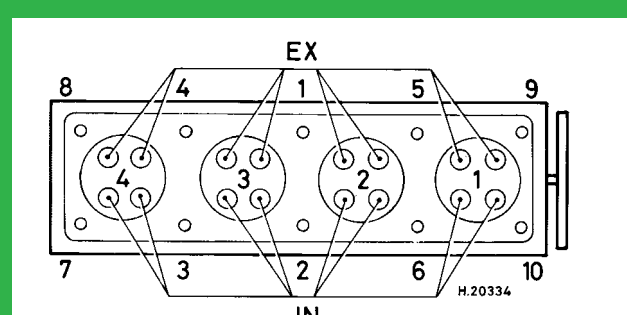
Cylinder head - stage 1	Nm	30
- stage 2	Nm	50, wait 3 min. Slacken
Cylinder head - stage 3	Nm	25
- stage 4	Nm	+ 107±2°
Big-end bearings	Nm	45 to 50
Main bearings	Nm	60 to 65
Clutch cover	Nm	25
Flywheel [driveplate]	Nm	50 to 55
Front hubs	Nm	250
Rear hubs	Nm	160
Wheel nuts / bolts	Nm	80
Spark plugs	Nm	25 to 35

### Capacities 19, 16V, 16S (B/C/L539) 1991 to 1993

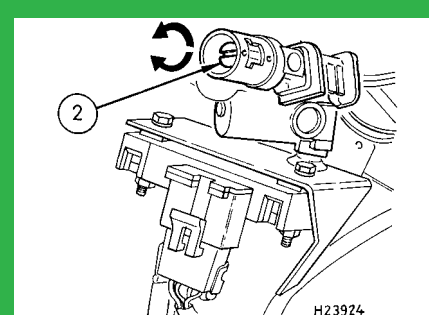
Engine oil & filter	litres	4.25
Gearbox - 4-speed [5-speed]	litres	3.4
Automatic transmission - refill	litres	_
Final drive	litres	WT
Cooling system	litres	7.0
Fuel tank	litres	55

### Notes and Illustrations

1: Idle speed 2: CO / Mixture



1764 cm<sup>3</sup>, 16V



Siemens Bendix MPI