

Engine & Cooling Fuel Ignition Electrical Running gear Torque settings Capacities Notes & Illustrations



Automotive Technical DATA BOOK

Click on one of the buttons above to view data for this car. To return to this screen and make another choice, click anywhere on the data screen.

MENU **HELP**

Engine and cooling system 25 2.2 (B29E) 1984 to 1990

Type	J7T- ¹
Capacity (cm ³) / number of cylinders	2165 / 4
Compression ratio / pressure	bar 9.9 / _
Oil pressure	bar 0.8 [3.0]
Oil temperature	°C 80
Valve clearance - inlet	mm 0.10 to 0.15
Valve clearance - exhaust	mm 0.20 to 0.25
Firing order	1-3-4-2
No 1 cylinder position	FE
Thermostat opening temperature	°C 88
Radiator cap pressure	bar 0.8 to 1.2

Fuel system 25 2.2 (B29E) 1984 to 1990

Idle speed - manual [auto]	rpm 800±50 N/A
Fast idle speed - manual [auto]	rpm _
CO @ idle speed [3000 rpm] - see page VI	% 2.0±0.5
HC @ idle speed [3000 rpm] - see page VI	ppm ≤1200
CO ₂ @ idle speed [3000 rpm] - see page VI	% _
O ₂ @ idle speed [3000 rpm] - see page VI	% _
Carburettor / fuel injection	Renix
Type / ref	Bendix R electronic MPI
Main jet / needle	_
Injection pressure	bar 2.5±0.2
Pump pressure	bar 3.0±0.2
Octane rating	RON 98[L] ²

Ignition system 25 2.2 (B29E) 1984 to 1990

Type	AEI
Ignition coil	Renix
Primary resistance	ohms 0.4 to 0.8
Ballast resistor	ohms _
Voltage - Tmnl 15(+) to earth	V _
Distributor	Renix
Points gap (air gap)	mm _
Dwell angle	° (%) _
Condenser capacity	µF _
Rotation	_
Ignition timing - basic [static	° Crankshaft @ rpm AEI control
V = Vacuum NV = No Vacuum	_
Total ignition advance	° Crankshaft @ rpm _
	° Crankshaft @ rpm _
	° Crankshaft @ rpm _
Centrifugal check.	° Crankshaft @ rpm AEI control
	° Crankshaft @ rpm _
	° Crankshaft @ rpm _
Vacuum range check	mbar AEI control
Maximum vacuum advance	° Crankshaft _
Spark plugs	Champion
Type	S379YC
Electrode gap	mm 0.90±0.05

Electrical system 25 2.2 (B29E) 1984 to 1990

Battery	V / CC / RC	12 / 255 / 85
Alternator voltage / full load current / engine rpm		13.5 to 14.8 / 75, 105 / 3000
Starter motor current / voltage - cranking	A / V	_
- locked	A / V	400 / _

Running gear 25 2.2 (B29E) 1984 to 1990

Brakes -		
Front (min. friction material thickness)	mm	6.0 with backing
Rear (min. friction material thickness)	mm	2.5 with backing ³
Tyres		
Saloon	Size	195/60x15
Estate / Van	Size	_
Pressure - front / rear - Saloon	bar	2.0 / 2.2
- Estate / Van	bar	_
Front suspension / wheel alignment		
Toe-in (+) / Toe-out (-)	mm [°]	-3.0±1.0
Camber		0±30'
Castor		+2°. PAS: +4°
King pin inclination		+12°30'±30'
Rear suspension / wheel alignment		
Toe-in (+) / Toe-out (-)	mm [°]	0±1.0 ⁴
Camber		-1°15'±30'

Torque wrench settings 25 2.2 (B29E) 1984 to 1990

Cylinder head - stage 1	Nm	50
- stage 2	Nm	80
Cylinder head - stage 3	Nm	- 180°
- stage 4	Nm	88 to 98
Big-end bearings	Nm	60 to 65
Main bearings	Nm	88 to 98
Clutch cover	Nm	25
Flywheel [driveplate]	Nm	60 [65 to 70]
Front hubs	Nm	250
Rear hubs	Nm	160
Wheel nuts / bolts	Nm	90. ABS: 100
Spark plugs	Nm	_

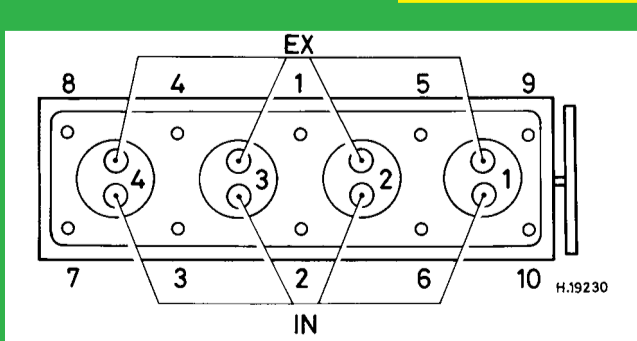
Capacities 25 2.2 (B29E) 1984 to 1990

Engine oil & filter	litres	5.5
Gearbox - 4-speed [5-speed]	litres	3.4. NG3: 2.2
Automatic transmission - refill	litres	2.5 [AR4: 4.0]
Final drive	litres	AR4: 0.8
Cooling system	litres	8.0
Fuel tank	litres	72

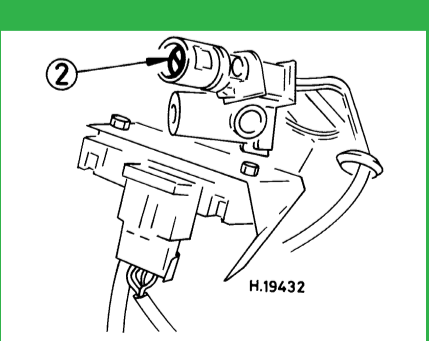
Notes and Illustrations

- ¹►87: E7-06 [AT: G7-07]. 87 ►: J7-30 [AT: K7-31]
- ²1987 ►: [E 95 RON]
- ³ABS: 6.0 with backing
- ⁴1986 ►: +1.0±1.0

1: Idle speed 2: CO / Mixture



2165 cm³



Bendix R, not CAT