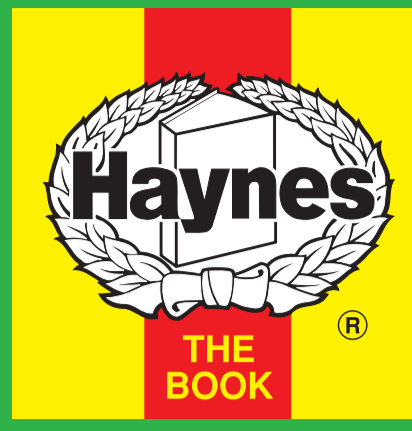


Engine & Cooling	Fuel	Ignition	Electrical	Running gear	Torque settings	Capacities	Notes & Illustrations
------------------	------	----------	------------	--------------	-----------------	------------	-----------------------



Automotive Technical DATA BOOK

Click on one of the buttons above to view data for this car. To return to this screen and make another choice, click anywhere on the data screen.

MENU **HELP**

Engine and cooling system Trafic T900 fwd (Txx0) 1989 to 1992

Type		C1J-N7-00
Capacity (cm ³) / number of cylinders		1397 / 4
Compression ratio / pressure	bar	8.25 / _
Oil pressure	bar	0.7 [3.5]
Oil temperature	°C	80
Valve clearance - inlet	mm	0.15
Valve clearance - exhaust	mm	0.20
Firing order		1-3-4-2
No 1 cylinder position		FE
Thermostat opening temperature	°C	_
Radiator cap pressure	bar	0.8 to 1.2

Fuel system Trafic T900 fwd (Txx0) 1989 to 1992

Idle speed - manual [auto]	rpm	700±25. V10427: 750±25
Fast idle speed - manual [auto]	rpm	_
CO @ idle speed [3000 rpm] - see page VI	%	1.5±0.5
HC @ idle speed [3000 rpm] - see page VI	ppm	≤1200
CO ₂ @ idle speed [3000 rpm] - see page VI	%	_
O ₂ @ idle speed [3000 rpm] - see page VI	%	_
Carburettor / fuel injection		Zenith
Type / ref		32 IF7 V10424 or V10427
Main jet / needle		130 or 126. V10427: 120 or 122
Injection pressure	bar	_
Pump pressure	bar	0.17 to 0.33
Octane rating	RON	90[E 95 RON]

Ignition system Trafic T900 fwd (Txx0) 1989 to 1992

Type		Contact breaker - CIS
Ignition coil		_
Primary resistance	ohms	_
Ballast resistor	ohms	_
Voltage - Tmnl 15(+) to earth	V	_
Distributor		Ducellier
Points gap (air gap)	mm	0.40
Dwell angle	° (%)	57±3 (63±3)
Condenser capacity	µF	_
Rotation		Clockwise
Ignition timing - basic [static	° Crankshaft @ rpm	6±1 BTDC @ 700
V = Vacuum NV = No Vacuum		NV
Total ignition advance	° Crankshaft @ rpm	R249-D59. 91 ▶: R351-D59
	° Crankshaft @ rpm	_
	° Crankshaft @ rpm	_
Centrifugal check.	° Crankshaft @ rpm	0 @ 1380. R351: 0 @ 1460
	° Crankshaft @ rpm	8 to 12, R351: 4 to 8 @ 2000
	° Crankshaft @ rpm	34 to 38 @ 3640 ¹
Vacuum range check	mbar	100 to 485
Maximum vacuum advance	° Crankshaft	13 to 17
Spark plugs		AC/Champion
Type		43XLS / N9YC
Electrode gap	mm	0.55 to 0.65

Electrical system Trafic T900 fwd (Txx0) 1989 to 1992

Battery	V / CC / RC	12 / 190 / 65
Alternator voltage / full load current / engine rpm		13.5 to 15.0 / _ / 3000
Starter motor current / voltage - cranking	A / V	_
- locked	A / V	360 to 400 / _

Running gear Trafic T900 fwd (Txx0) 1989 to 1992

Brakes -		
Front (min. friction material thickness)	mm	9.0 with backing
Rear (min. friction material thickness)	mm	5.0 with backing
Tyres		
Saloon	Size	_
Estate / Van	Size	165x14
Pressure - front / rear - Saloon	bar	_
- Estate / Van	bar	2.9 / 2.9 ²
Front suspension / wheel alignment		
Toe-in (+) / Toe-out (-)	mm [°]	-1.0±1.0
Camber		+1°±30'
Castor		+1°30'±30'
King pin inclination		+9°±30'
Rear suspension / wheel alignment		
Toe-in (+) / Toe-out (-)	mm [°]	0 to +3.0
Camber		0 to +30'

Torque wrench settings Trafic T900 fwd (Txx0) 1989 to 1992

Cylinder head - stage 1	Nm	55 to 65
- stage 2	Nm	_
Cylinder head - stage 3	Nm	_
- stage 4	Nm	_
Big-end bearings	Nm	45
Main bearings	Nm	55 to 65
Clutch cover	Nm	25
Flywheel [driveplate]	Nm	50
Front hubs	Nm	190 to 210
Rear hubs	Nm	WSM
Wheel nuts / bolts	Nm	110 to 130
Spark plugs	Nm	_

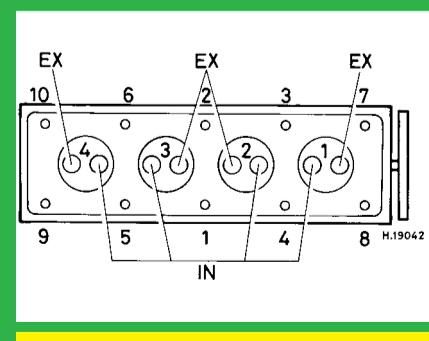
Capacities Trafic T900 fwd (Txx0) 1989 to 1992

Engine oil & filter	litres	3.5
Gearbox - 4-speed [5-speed]	litres	1.7 [1.8]
Automatic transmission - refill	litres	_
Final drive	litres	1.5
Cooling system	litres	6.0. 91 ▶: 6.5
Fuel tank	litres	60

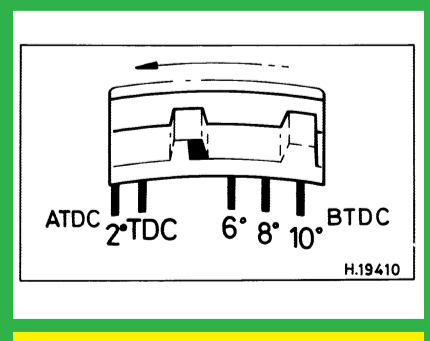
Notes and Illustrations

¹R351: 25 to 29 @ 3800
²91 ▶: 3.8 / 3.8

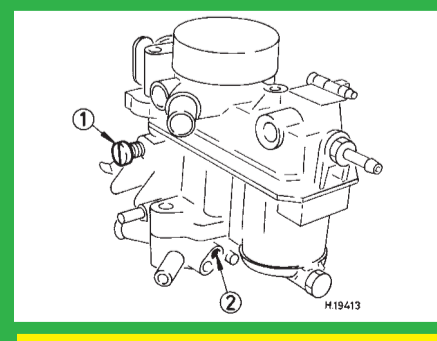
1: Idle speed 2: CO / Mixture



1397 cm³



1397 cm³



Zenith 32 IF7