

Engine & Cooling	Fuel	Ignition	Electrical	Running gear	Torque settings	Capacities	Notes & Illustrations
------------------	------	----------	------------	--------------	-----------------	------------	-----------------------



Automotive Technical DATA BOOK

Click on one of the buttons above to view data for this car. To return to this screen and make another choice, click anywhere on the data screen.

MENU

HELP

Engine and cooling system Maestro 1.6 & Van 1984 to 1989

Type		16HC / HD / HE ¹ SOHC
Capacity (cm ³) / number of cylinders		1598 / 4
Compression ratio / pressure	bar	9.6 / ₋ . LC: 8.0 / ₋
Oil pressure	bar	0.7 [3.8]
Oil temperature	°C	-
Valve clearance - inlet	mm	0.35 to 0.38 ²
Valve clearance - exhaust	mm	0.43 to 0.46 ²
Firing order		1-3-4-2
No 1 cylinder position		TBE
Thermostat opening temperature	°C	88
Radiator cap pressure	bar	1.04

Fuel system Maestro 1.6 & Van 1984 to 1989

Idle speed - manual [auto]	rpm	750±50 [825±50]
Fast idle speed - manual [auto]	rpm	1200±50 [1350±50]
CO @ idle speed [3000 rpm] - see page VI	%	3.0±0.5
HC @ idle speed [3000 rpm] - see page VI	ppm	≤1200
CO ₂ @ idle speed [3000 rpm] - see page VI	%	-
O ₂ @ idle speed [3000 rpm] - see page VI	%	-
Carburettor / fuel injection		SU
Type / ref		HIF44 / 44E / FZX 1424/25/63/75
Main jet / needle		0.100 / BFM
Injection pressure	bar	-
Pump pressure	bar	0.3
Octane rating	RON	97[L] ³

Ignition system Maestro 1.6 & Van 1984 to 1989

Type		Computerized
Ignition coil		Unipart GCL 143
Primary resistance	ohms	0.71 to 0.81
Ballast resistor	ohms	-
Voltage - Tmnl 15(+) to earth	V	-
Distributor		Lucas
Points gap (air gap)	mm	-
Dwell angle	° (%)	-
Condenser capacity	µF	-
Rotation		Anticlockwise
Ignition timing - basic [static	° Crankshaft @ rpm	16 to 18 BTDC @ 1400 ⁴
V = Vacuum NV = No Vacuum		NV
Total ignition advance	° Crankshaft @ rpm	25 to 38 BTDC @ 1400 (HC)
	° Crankshaft @ rpm	-
	° Crankshaft @ rpm	-
Centrifugal check.	° Crankshaft @ rpm	Computer control
	° Crankshaft @ rpm	-
	° Crankshaft @ rpm	-
Vacuum range check	mbar	Computer control
Maximum vacuum advance	° Crankshaft	-
Spark plugs		Unipart/Champion
Type		GSP665 or 4562 / C9YC
Electrode gap	mm	1.00. 87 ▶:0.85

Electrical system Maestro 1.6 & Van 1984 to 1989

Battery	V / CC / RC	12 / 360 / 60
Alternator voltage / full load current / engine rpm		14.0 / 55, 65 / 3000
Starter motor current / voltage - cranking	A / V	55 to 65 / 12
- locked	A / V	360 / 7.0 [370 / 7.0]

Running gear Maestro 1.6 & Van 1984 to 1989

Brakes -		
Front (min. friction material thickness)	mm	3.0
Rear (min. friction material thickness)	mm	1.5

Tyres		
Saloon	Size	165x13
Estate / Van	Size	165x13: 175/82x14
Pressure - front / rear - Saloon	bar	1.8 / 2.0 ⁵
- Estate / Van	bar	1.8 / 2.8

Front suspension / wheel alignment

Toe-in (+) / Toe-out (-)	mm [°]	[0±8']
Camber		A: -15'±21'. B: 30'±21' ⁶
Castor		+37'±30'. Van: 12'±30'
King pin inclination		A: +12°30'±30'.B:+12°33'±30' ⁷

Rear suspension / wheel alignment

Toe-in (+) / Toe-out (-)	mm [°]	[+30' to 1°]
Camber		-0.5°±0.5°

Torque wrench settings Maestro 1.6 & Van 1984 to 1989

Cylinder head - stage 1	Nm	40 Lightly oiled
- stage 2	Nm	80
Cylinder head - stage 3	Nm	+ 90°
- stage 4	Nm	-
Big-end bearings	Nm	45
Main bearings	Nm	90
Clutch cover	Nm	15
Flywheel [driveplate]	Nm	75
Front hubs	Nm	203
Rear hubs	Nm	68. Van: 50
Wheel nuts / bolts	Nm	72. Van: 80
Spark plugs	Nm	18

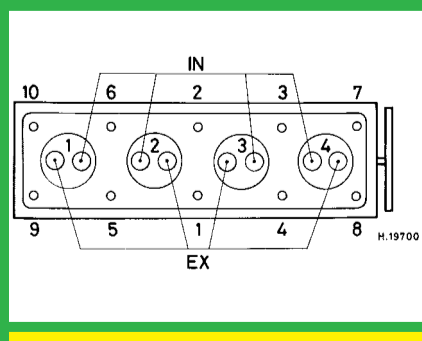
Capacities Maestro 1.6 & Van 1984 to 1989

Engine oil & filter	litres	3.8
Gearbox - 4-speed [5-speed]	litres	1.5 [2.0]
Automatic transmission - refill	litres	2.3
Final drive	litres	AT: 0.75
Cooling system	litres	8.5
Fuel tank	litres	50. Van: 54

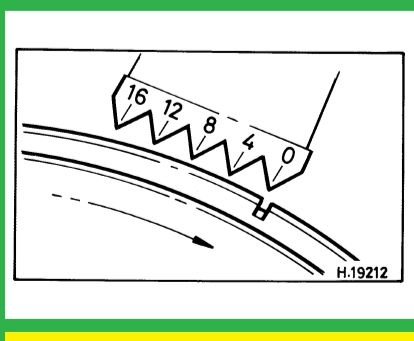
Notes and Illustrations

- ¹16HC37/55/38/62/60/56. 16HE04/06/07/08/05. 16HD73
- ²Adjust only if less than 0.30
- ³LC: 91 RON
- ⁴10° BTDC @ 750 with manual mixture control
- ⁵87 ▶: 2.0 / 2.0
- ⁶A=early, B=later models. Van A: 0±21'. B: +45'±21'
- ⁷A=early, B=later models. Van A: +12°50'±30'.B:+12°16'±30'

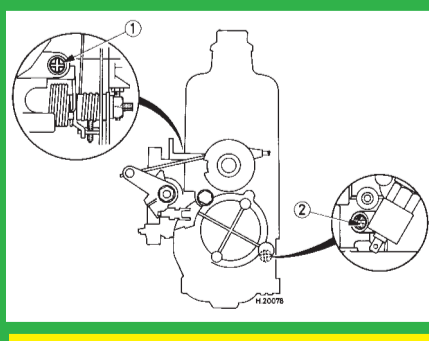
1: Idle speed 2: CO / Mixture



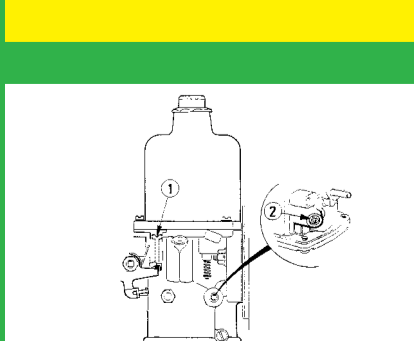
1598 cm³



1598 cm³



SU HIF44E



SU HIF44