

| | | | | | | | |
|------------------|------|----------|------------|--------------|-----------------|------------|-----------------------|
| Engine & Cooling | Fuel | Ignition | Electrical | Running gear | Torque settings | Capacities | Notes & Illustrations |
|------------------|------|----------|------------|--------------|-----------------|------------|-----------------------|



Automotive Technical DATA BOOK

Click on one of the buttons above to view data for this car. To return to this screen and make another choice, click anywhere on the data screen.

MENU

HELP

Engine and cooling system Montego 1.6 1989 to 1993

| | | |
|---|-----|--------------------------------|
| Type | | 16HE60, 61, 62, 63, 64, 65, 66 |
| Capacity (cm ³) / number of cylinders | | 1598 / 4 |
| Compression ratio / pressure | bar | 9.2 / _ |
| Oil pressure | bar | 0.7 [3.8] |
| Oil temperature | °C | _ |
| Valve clearance - inlet | mm | 0.35 to 0.38 ¹ |
| Valve clearance - exhaust | mm | 0.43 to 0.46 ¹ |
| Firing order | | 1-3-4-2 |
| No 1 cylinder position | | TBE |
| Thermostat opening temperature | °C | 88 |
| Radiator cap pressure | bar | 1.04 |

Fuel system Montego 1.6 1989 to 1993

| | | |
|---|-----|--------------------|
| Idle speed - manual [auto] | rpm | 600±50 (Base idle) |
| Fast idle speed - manual [auto] | rpm | _ |
| CO @ idle speed [3000 rpm] - see page VI | % | 1.5 to 3.0 |
| HC @ idle speed [3000 rpm] - see page VI | ppm | ≤1200 |
| CO ₂ @ idle speed [3000 rpm] - see page VI | % | _ |
| O ₂ @ idle speed [3000 rpm] - see page VI | % | _ |
| Carburettor / fuel injection | | SU |
| Type / ref | | HIF44E |
| Main jet / needle | | 0.100 / BFM |
| Injection pressure | bar | _ |
| Pump pressure | bar | 0.3 |
| Octane rating | RON | 97[E 95 RON] |

Ignition system Montego 1.6 1989 to 1993

| | | |
|---------------------------------|--------------------|----------------------|
| Type | | Computerized |
| Ignition coil | | Unipart GCL 143 |
| Primary resistance | ohms | 0.71 to 0.81 |
| Ballast resistor | ohms | _ |
| Voltage - Tmnl 15(+) to earth | V | _ |
| Distributor | | Lucas |
| Points gap (air gap) | mm | _ |
| Dwell angle | ° (%) | _ |
| Condenser capacity | µF | _ |
| Rotation | | Anticlockwise |
| Ignition timing - basic [static | ° Crankshaft @ rpm | 4 to 18 BTDC @ 1000 |
| V = Vacuum NV = No Vacuum | | NV |
| Total ignition advance | ° Crankshaft @ rpm | 13 to 27 BTDC @ 1000 |
| | ° Crankshaft @ rpm | _ |
| | ° Crankshaft @ rpm | _ |
| Centrifugal check. | ° Crankshaft @ rpm | Computer control |
| | ° Crankshaft @ rpm | _ |
| | ° Crankshaft @ rpm | _ |
| Vacuum range check | mbar | Computer control |
| Maximum vacuum advance | ° Crankshaft | _ |
| Spark plugs | | Unipart/Champion |
| Type | | GSP3562, 4562 / C9YC |
| Electrode gap | mm | 0.90 |

Electrical system Montego 1.6 1989 to 1993

| | | |
|---|-------------|------------------|
| Battery | V / CC / RC | 12 / 360 / 60 |
| Alternator voltage / full load current / engine rpm | | 14.0 / _ / 3000 |
| Starter motor current / voltage - cranking | A / V | 55 to 65 / 12 |
| - locked | A / V | 360 to 425 / 7.0 |

Running gear Montego 1.6 1989 to 1993

| | | |
|--|----|-----|
| Brakes - | | |
| Front (min. friction material thickness) | mm | 3.0 |
| Rear (min. friction material thickness) | mm | 1.5 |

| | | |
|----------------------------------|------|-------------------|
| Tyres | | |
| Saloon | Size | 165x13: 185/65x14 |
| Estate / Van | Size | 185/65x14 |
| Pressure - front / rear - Saloon | bar | 1.8 / 2.0 |
| - Estate / Van | bar | 2.0 / 2.2 |

| | | |
|---|--------|----------|
| Front suspension / wheel alignment | | |
| Toe-in (+) / Toe-out (-) | mm [°] | [0±8'] |
| Camber | | +30'±21' |
| Castor | | +37'±30' |
| King pin inclination | | +12°33' |

| | | |
|--|--------|---------------|
| Rear suspension / wheel alignment | | |
| Toe-in (+) / Toe-out (-) | mm [°] | [+20' to 40'] |
| Camber | | 0 to -1° |

Torque wrench settings Montego 1.6 1989 to 1993

| | | |
|-------------------------|----|------------------|
| Cylinder head - stage 1 | Nm | 40 Lightly oiled |
| - stage 2 | Nm | 80 |
| Cylinder head - stage 3 | Nm | + 90° |
| - stage 4 | Nm | _ |
| Big-end bearings | Nm | 45 |
| Main bearings | Nm | 90 |
| Clutch cover | Nm | 15 |
| Flywheel [driveplate] | Nm | 75 |
| Front hubs | Nm | 203 |
| Rear hubs | Nm | 68 |
| Wheel nuts / bolts | Nm | 72 |
| Spark plugs | Nm | 18 |

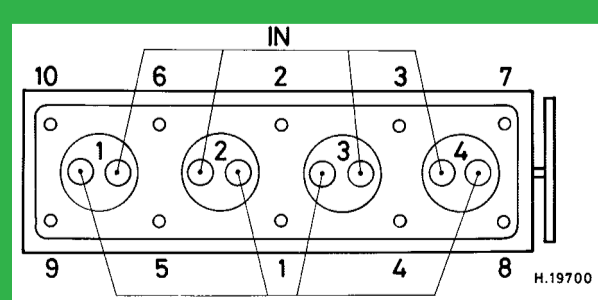
Capacities Montego 1.6 1989 to 1993

| | | |
|---------------------------------|--------|-----------|
| Engine oil & filter | litres | 3.8 |
| Gearbox - 4-speed [5-speed] | litres | 1.5 [2.0] |
| Automatic transmission - refill | litres | 2.3 |
| Final drive | litres | AT: 0.75 |
| Cooling system | litres | 8.5 |
| Fuel tank | litres | 50 |

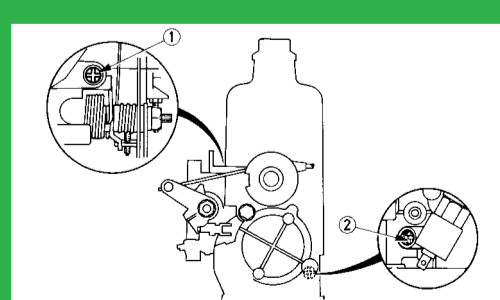
Notes and Illustrations

¹Adjust only if less than 0.30

1: Idle speed 2: CO / Mixture



1598 cm³



SU HIF44E