

Engine & Cooling	Fuel	Ignition	Electrical	Running gear	Torque settings	Capacities	Notes & Illustrations
------------------	------	----------	------------	--------------	-----------------	------------	-----------------------



# Automotive Technical DATA BOOK

Click on one of the buttons above to view data for this car. To return to this screen and make another choice, click anywhere on the data screen.

MENU

HELP

## Engine and cooling system Montego 1.6 CAT 1990 to 1993

Type		16HE60, 61, 64, 65
Capacity (cm <sup>3</sup> ) / number of cylinders		1598 / 4
Compression ratio / pressure	bar	9.2 / _
Oil pressure	bar	0.7 [3.8]
Oil temperature	°C	_
Valve clearance - inlet	mm	0.35 to 0.38 <sup>1</sup>
Valve clearance - exhaust	mm	0.43 to 0.46 <sup>1</sup>
Firing order		1-3-4-2
No 1 cylinder position		TBE
Thermostat opening temperature	°C	88
Radiator cap pressure	bar	1.04

## Fuel system Montego 1.6 CAT 1990 to 1993

Idle speed - manual [auto]	rpm	600±50 (Base idle)
Fast idle speed - manual [auto]	rpm	_
CO @ idle speed [3000 rpm] - see page VI	%	1.0 to 2.0
HC @ idle speed [3000 rpm] - see page VI	ppm	≤200
CO <sub>2</sub> @ idle speed [3000 rpm] - see page VI	%	_
O <sub>2</sub> @ idle speed [3000 rpm] - see page VI	%	_
Carburettor / fuel injection		SU
Type / ref		HIF44E
Main jet / needle		0.100 / BHC
Injection pressure	bar	_
Pump pressure	bar	0.3
Octane rating	RON	95[U]

## Ignition system Montego 1.6 CAT 1990 to 1993

Type		Computerized
Ignition coil		Unipart GCL 143
Primary resistance	ohms	0.71 to 0.81
Ballast resistor	ohms	_
Voltage - Tmnl 15(+) to earth	V	_
Distributor		Lucas
Points gap (air gap)	mm	_
Dwell angle	° (%)	_
Condenser capacity	µF	_
Rotation		Anticlockwise
Ignition timing - basic [static	° Crankshaft @ rpm	11 BTDC @ 1000
V = Vacuum NV = No Vacuum		NV
Total ignition advance	° Crankshaft @ rpm	20 BTDC @ 1000
	° Crankshaft @ rpm	_
	° Crankshaft @ rpm	_
Centrifugal check.	° Crankshaft @ rpm	Computer control
	° Crankshaft @ rpm	_
	° Crankshaft @ rpm	_
Vacuum range check	mbar	Computer control
Maximum vacuum advance	° Crankshaft	_
Spark plugs		Unipart/Champion
Type		GSP4562 / C9YC
Electrode gap	mm	0.90

## Electrical system Montego 1.6 CAT 1990 to 1993

Battery	V / CC / RC	12 / 360 / 70
Alternator voltage / full load current / engine rpm		14.0 / _ / 3000
Starter motor current / voltage - cranking	A / V	55 to 65 / 12
- locked	A / V	360 to 425 / 7.0

## Running gear Montego 1.6 CAT 1990 to 1993

<b>Brakes -</b>		
Front (min. friction material thickness)	mm	3.0
Rear (min. friction material thickness)	mm	1.5

<b>Tyres</b>		
Saloon	Size	165x13: 185/65x14
Estate / Van	Size	185/65x14
Pressure - front / rear - Saloon	bar	1.8 / 2.0
- Estate / Van	bar	2.0 / 2.2

## Front suspension / wheel alignment

Toe-in (+) / Toe-out (-)	mm [°]	[0±8']
Camber		+30'±21'
Castor		+37'±30'
King pin inclination		+12°33'

## Rear suspension / wheel alignment

Toe-in (+) / Toe-out (-)	mm [°]	[+20' to 40']
Camber		0 to -1°

## Torque wrench settings Montego 1.6 CAT 1990 to 1993

Cylinder head - stage 1	Nm	40 Lightly oiled
- stage 2	Nm	80
Cylinder head - stage 3	Nm	+ 90°
- stage 4	Nm	_
Big-end bearings	Nm	45
Main bearings	Nm	90
Clutch cover	Nm	15
Flywheel [driveplate]	Nm	75
Front hubs	Nm	203
Rear hubs	Nm	68
Wheel nuts / bolts	Nm	72
Spark plugs	Nm	18

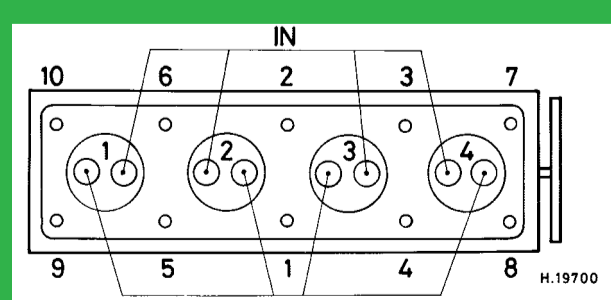
## Capacities Montego 1.6 CAT 1990 to 1993

Engine oil & filter	litres	3.8
Gearbox - 4-speed [5-speed]	litres	1.5 [2.0]
Automatic transmission - refill	litres	2.3
Final drive	litres	AT: 0.75
Cooling system	litres	8.5
Fuel tank	litres	50

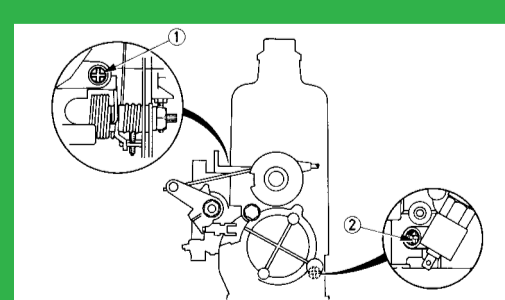
## Notes and Illustrations

<sup>1</sup>Adjust only if less than 0.30

1: Idle speed 2: CO / Mixture



1598 cm<sup>3</sup>



SU HIF44E