

Engine & Cooling	Fuel	Ignition	Electrical	Running gear	Torque settings	Capacities	Notes & Illustrations
------------------	------	----------	------------	--------------	-----------------	------------	-----------------------



Automotive Technical DATA BOOK

Click on one of the buttons above to view data for this car. To return to this screen and make another choice, click anywhere on the data screen.

MENU

HELP

Engine and cooling system Montego 2.0 EFi 1988 to 1991

Type		20HE99/13/14
Capacity (cm ³) / number of cylinders		1994 / 4
Compression ratio / pressure	bar	9.0 / _
Oil pressure	bar	0.7 [3.8]
Oil temperature	°C	_
Valve clearance - inlet	mm	0.31±0.01 ¹
Valve clearance - exhaust	mm	0.31±0.01 ¹
Firing order		1-3-4-2
No 1 cylinder position		TBE
Thermostat opening temperature	°C	88
Radiator cap pressure	bar	1.04

Fuel system Montego 2.0 EFi 1988 to 1991

Idle speed - manual [auto]	rpm	745±45 ECU control ²
Fast idle speed - manual [auto]	rpm	_
CO @ idle speed [3000 rpm] - see page VI	%	2.0 to 2.5
HC @ idle speed [3000 rpm] - see page VI	ppm	≤1200
CO ₂ @ idle speed [3000 rpm] - see page VI	%	_
O ₂ @ idle speed [3000 rpm] - see page VI	%	_
Carburettor / fuel injection		Lucas
Type / ref		MPI (H)
Main jet / needle		_
Injection pressure	bar	2.5 above manifold
Pump pressure	bar	4.1
Octane rating	RON	97[E 95 RON]

Ignition system Montego 2.0 EFi 1988 to 1991

Type		Computerized
Ignition coil		Unipart GCL 143
Primary resistance	ohms	0.71 to 0.81
Ballast resistor	ohms	_
Voltage - Tmnl 15(+) to earth	V	_
Distributor		Lucas
Points gap (air gap)	mm	_
Dwell angle	° (%)	_
Condenser capacity	µF	_
Rotation		Anticlockwise
Ignition timing - basic [static	° Crankshaft @ rpm	17 BTDC @ 1500 ³
V = Vacuum NV = No Vacuum		NV
Total ignition advance	° Crankshaft @ rpm	40 BTDC @ 1500
	° Crankshaft @ rpm	_
	° Crankshaft @ rpm	_
Centrifugal check.	° Crankshaft @ rpm	Computer control
	° Crankshaft @ rpm	_
	° Crankshaft @ rpm	_
Vacuum range check	mbar	Computer control
Maximum vacuum advance	° Crankshaft	_
Spark plugs		Unipart/Champion
Type		GSP4452 / RN7YC
Electrode gap	mm	0.90

Electrical system Montego 2.0 EFi 1988 to 1991

Battery	V / CC / RC	12 / 360 / 60
Alternator voltage / full load current / engine rpm		14.0 / _ / 3000
Starter motor current / voltage - cranking	A / V	55 to 65 / 12
- locked	A / V	360 to 425 / 7

Running gear Montego 2.0 EFi 1988 to 1991

Brakes -		
Front (min. friction material thickness)	mm	3.0
Rear (min. friction material thickness)	mm	1.5

Tyres		
Saloon	Size	180/65x365:185/65x14:195/55x15
Estate / Van	Size	180/65x365
Pressure - front / rear - Saloon	bar	2.0 / 2.0 ⁴
- Estate / Van	bar	2.0 / 2.2

Front suspension / wheel alignment

Toe-in (+) / Toe-out (-)	mm [°]	[0±8']
Camber		+30'±21'
Castor		+37'±30'
King pin inclination		+12°33'

Rear suspension / wheel alignment

Toe-in (+) / Toe-out (-)	mm [°]	[+20' to 40']
Camber		0 to -1°

Torque wrench settings Montego 2.0 EFi 1988 to 1991

Cylinder head - stage 1	Nm	45
- stage 2	Nm	80
Cylinder head - stage 3	Nm	+ 90° or to 108 ⁵
- stage 4	Nm	_
Big-end bearings	Nm	55 Lightly oiled
Main bearings	Nm	105 Lightly oiled
Clutch cover	Nm	23
Flywheel [driveplate]	Nm	58 bolts marked H ⁶
Front hubs	Nm	203
Rear hubs	Nm	68
Wheel nuts / bolts	Nm	72
Spark plugs	Nm	18

Capacities Montego 2.0 EFi 1988 to 1991

Engine oil & filter	litres	4.9
Gearbox - 4-speed [5-speed]	litres	[2.2]
Automatic transmission - refill	litres	2.0
Final drive	litres	WT
Cooling system	litres	8.5
Fuel tank	litres	50

Notes and Illustrations

¹Adjust only if less than 0.20

²625±25, setting with air valve closed

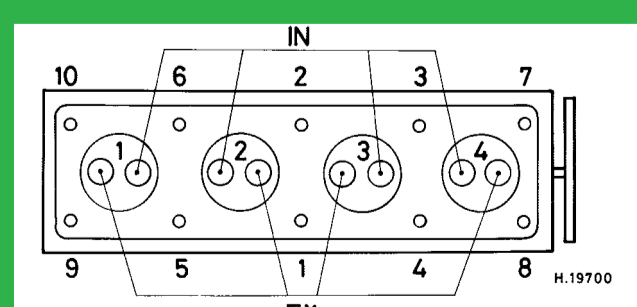
³12HE13/14: 14 BTDC @ 1500

⁴185/65x14: 1.8 / 2.0

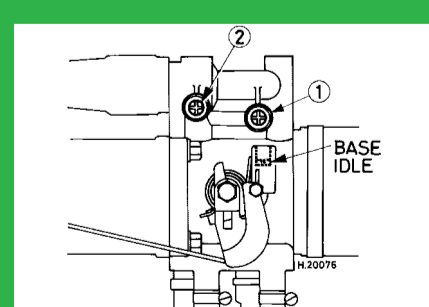
⁵Whichever occurs first

⁶85 bolts marked X with washer. 120 bolts marked X without washer

1: Idle speed 2: CO / Mixture



1994 cm³



MPI (H)