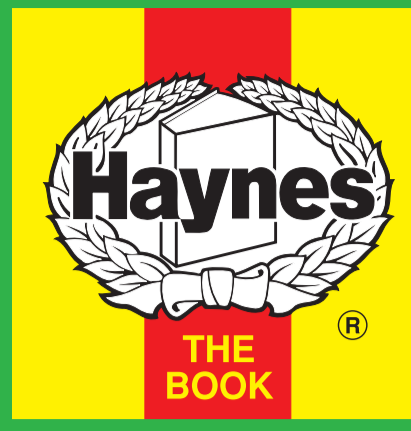


Engine & Cooling	Fuel	Ignition	Electrical	Running gear	Torque settings	Capacities	Notes & Illustrations
------------------	------	----------	------------	--------------	-----------------	------------	-----------------------



Automotive Technical DATA BOOK

Click on one of the buttons above to view data for this car. To return to this screen and make another choice, click anywhere on the data screen.

MENU

HELP

Engine and cooling system Metro MG Turbo 1986 to 1990

Type		12HC16AA ¹
Capacity (cm ³) / number of cylinders		1275 / 4
Compression ratio / pressure	bar	9.4 / _
Oil pressure	bar	1.0 [4.1]
Oil temperature	°C	_
Valve clearance - inlet	mm	0.30 to 0.35
Valve clearance - exhaust	mm	0.35 to 0.41
Firing order		1-3-4-2
No 1 cylinder position		TCE
Thermostat opening temperature	°C	88
Radiator cap pressure	bar	1.04

Fuel system Metro MG Turbo 1986 to 1990

Idle speed - manual [auto]	rpm	880±50
Fast idle speed - manual [auto]	rpm	1050 to 1150
CO @ idle speed [3000 rpm] - see page VI	%	0.5 to 2.5
HC @ idle speed [3000 rpm] - see page VI	ppm	≤1200
CO ₂ @ idle speed [3000 rpm] - see page VI	%	_
O ₂ @ idle speed [3000 rpm] - see page VI	%	_
Carburettor / fuel injection		SU
Type / ref		HIF44 (sealed)
Main jet / needle		0.100 / BDD
Injection pressure	bar	_
Pump pressure	bar	0.4
Octane rating	RON	97[L]

Ignition system Metro MG Turbo 1986 to 1990

Type		Electronic
Ignition coil		GCL 143
Primary resistance	ohms	0.78±0.08
Ballast resistor	ohms	_
Voltage - Tmnl 15(+) to earth	V	_
Distributor		Lucas
Points gap (air gap)	mm	[0.20±0.05]
Dwell angle	° (%)	_
Condenser capacity	µF	_
Rotation		Anticlockwise
Ignition timing - basic [static	° Crankshaft @ rpm	7±1 BTDC @ 1500
V = Vacuum NV = No Vacuum		NV
Total ignition advance	° Crankshaft @ rpm	_
	° Crankshaft @ rpm	_
	° Crankshaft @ rpm	_
Centrifugal check.	° Crankshaft @ rpm	8.8 to 13.5 @ 2360
	° Crankshaft @ rpm	11 to 15.5 @ 2880
	° Crankshaft @ rpm	15 to 19.5 @ 5600
Vacuum range check	mbar	7 to 227
Maximum vacuum advance	° Crankshaft	22 to 26
Spark plugs		Unipart/Champion
Type		GSP4452 / RN7YC
Electrode gap	mm	1.00

Electrical system Metro MG Turbo 1986 to 1990

Battery	V / CC / RC	12 / _
Alternator voltage / full load current / engine rpm		14.0 / _ / 3000
Starter motor current / voltage - cranking	A / V	75 / 12 (no load)
- locked	A / V	380 / 7

Running gear Metro MG Turbo 1986 to 1990

Brakes -		
Front (min. friction material thickness)	mm	3.0
Rear (min. friction material thickness)	mm	1.5

Tyres		
Saloon	Size	165/60x13: 185/55x13
Estate / Van	Size	_
Pressure - front / rear - Saloon	bar	2.0 / 2.0
- Estate / Van	bar	_

Front suspension / wheel alignment

Toe-in (+) / Toe-out (-)	mm [°]	[0 to -25']
Camber		0±30'
Castor		+2°6'±2°
King pin inclination		+10°38'

Rear suspension / wheel alignment

Toe-in (+) / Toe-out (-)	mm [°]	[+10' to +50']
Camber		-1°±30'

Torque wrench settings Metro MG Turbo 1986 to 1990

Cylinder head - stage 1	Nm	38
- stage 2	Nm	75
Cylinder head - stage 3	Nm	_
- stage 4	Nm	_
Big-end bearings	Nm	45
Main bearings	Nm	85
Clutch cover	Nm	25
Flywheel [driveplate]	Nm	Centre bolt: 152
Front hubs	Nm	2 hole shaft: 271 ²
Rear hubs	Nm	88
Wheel nuts / bolts	Nm	57. Alloys: 49
Spark plugs	Nm	25

Capacities Metro MG Turbo 1986 to 1990

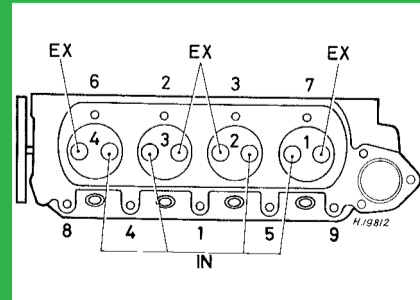
Engine oil & filter	litres	4.8
Gearbox - 4-speed [5-speed]	litres	With engine
Automatic transmission - refill	litres	_
Final drive	litres	With engine
Cooling system	litres	4.8
Fuel tank	litres	33

Notes and Illustrations

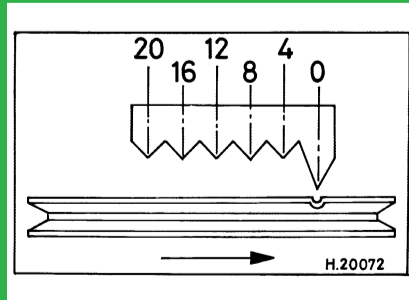
¹1987 ▶: 12HD26AA

²1 hole shaft: 262

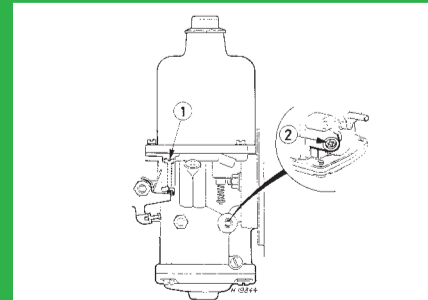
1: Idle speed 2: CO / Mixture



1275 cm³



1275 cm³



SU HIF