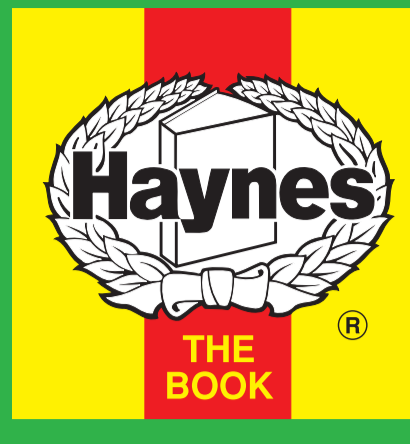


Engine & Cooling	Fuel	Ignition	Electrical	Running gear	Torque settings	Capacities	Notes & Illustrations
------------------	------	----------	------------	--------------	-----------------	------------	-----------------------



# Automotive Technical DATA BOOK

Click on one of the buttons above to view data for this car. To return to this screen and make another choice, click anywhere on the data screen.

MENU

HELP

## Engine and cooling system 1.8 Turbo Coupé 4x4 1986 to 1989

Type		EA82 OHC
Capacity (cm <sup>3</sup> ) / number of cylinders		1781 / 4
Compression ratio / pressure	bar	7.7 / 9.7
Oil pressure	bar	0.98 [2.9]
Oil temperature	°C	75 to 85
Valve clearance - inlet	mm	0: Hyd.
- exhaust	mm	0: Hyd.
Firing order		1-3-2-4
No 1 cylinder position		FR
Thermostat opening temperature	°C	83.5 to 86.5
Radiator cap pressure	bar	0.88±0.10

## Fuel system 1.8 Turbo Coupé 4x4 1986 to 1989

Idle speed - manual [auto]	rpm	800±50
Fast idle speed - manual [auto]	rpm	—
CO @ idle speed [3000 rpm] - see page VI	%	1.0±0.5
HC @ idle speed [3000 rpm] - see page VI	ppm	≤1200
CO <sub>2</sub> @ idle speed [3000 rpm] - see page VI	%	—
O <sub>2</sub> @ idle speed [3000 rpm] - see page VI	%	—
Carburettor / fuel injection		Subaru
Type / ref		MPFI + Turbo
Main jet / needle		—
Injection pressure	bar	2.3 to 2.5
Pump pressure	bar	4.2 to 4.9
Octane rating	RON	91[R]

## Ignition system 1.8 Turbo Coupé 4x4 1986 to 1989

Type		Electronic
Ignition coil		Hitachi
Primary resistance	ohms	0.93 to 1.02
Ballast resistor	ohms	—
Voltage - Tmnl 15(+) to earth	V	—
Distributor		Hitachi
Points gap (air gap)	mm	[0.30 to 0.50]
Dwell angle	° (%)	—
Condenser capacity	µF	—
Rotation		Anticlockwise
Ignition timing - basic [static	° Crankshaft @ rpm	22±2 BTDC @ 800
V = Vacuum NV = No Vacuum		NV
Total ignition advance	° Crankshaft @ rpm	—
	° Crankshaft @ rpm	—
	° Crankshaft @ rpm	—
Centrifugal check.	° Crankshaft @ rpm	0 to 4 @ 1000
	° Crankshaft @ rpm	18 to 22 @ 3000
	° Crankshaft @ rpm	22 to 26 @ 3600
Vacuum range check	mbar	133 to 467
Maximum vacuum advance	° Crankshaft	15 to 19
Spark plugs		NGK/Champion
Type		BPR7ES / RN7YC
Electrode gap	mm	0.70 to 0.90

## Electrical system 1.8 Turbo Coupé 4x4 1986 to 1989

Battery	V / CC / RC	12 / 306 / 78 or 420 / 111
Alternator voltage / full load current / engine rpm		14.2 to 14.8 / _ / 2500
Starter motor current / voltage - cranking	A / V	230 to 370 / 8.0
- locked	A / V	300 to 735 / 2.5 to 5.0

## Running gear 1.8 Turbo Coupé 4x4 1986 to 1989

<b>Brakes -</b>		
Front (min. friction material thickness)	mm	—
Rear (min. friction material thickness)	mm	—

<b>Tyres</b>		
Saloon	Size	195/60x14: 185/70x13
Estate / Van	Size	—
Pressure - front / rear - Saloon	bar	2.0 / 2.0
- Estate / Van	bar	—

<b>Front suspension / wheel alignment</b>		
Toe-in (+) / Toe-out (-)	mm [°]	+2.0±3.0
Camber		+1°40'±45'
Castor		+1°50'±45'
King pin inclination		+13°

<b>Rear suspension / wheel alignment</b>		
Toe-in (+) / Toe-out (-)	mm [°]	0±3.0
Camber		0±30'

## Torque wrench settings 1.8 Turbo Coupé 4x4 1986 to 1989

Cylinder head - stage 1	Nm	29
- stage 2	Nm	59
- stage 3	Nm	64
- stage 4	Nm	—
Big-end bearings	Nm	41
Main bearings	Nm	39 to 47
Clutch cover	Nm	14 to 17
Flywheel [driveplate]	Nm	69 to 75
Front hubs	Nm	196
Rear hubs	Nm	196
Wheel nuts / bolts	Nm	78 to 98
Spark plugs	Nm	20 to 29

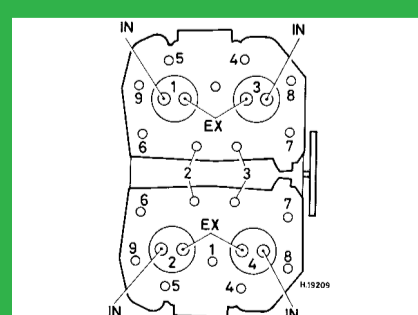
## Capacities 1.8 Turbo Coupé 4x4 1986 to 1989

Engine oil & filter	litres	4.0
Gearbox - 4-speed [5-speed]	litres	3.3
Automatic transmission - refill	litres	6.8 to 7.2
Final drive	litres	AT: 1.2 <sup>1</sup>
Cooling system	litres	5.5
Fuel tank	litres	60

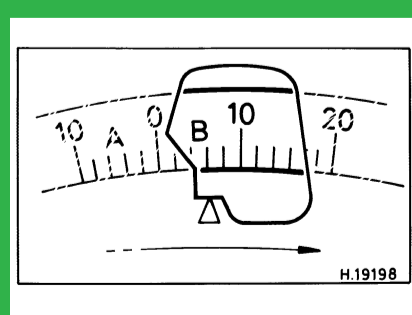
## Notes and Illustrations

<sup>1</sup>Rear: 0.8

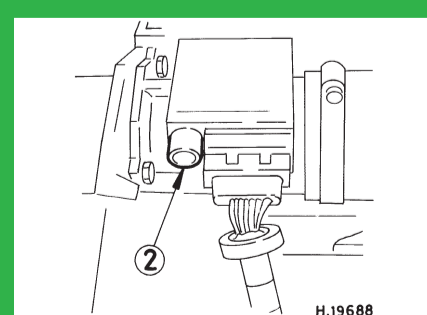
1: Idle speed 2: CO / Mixture



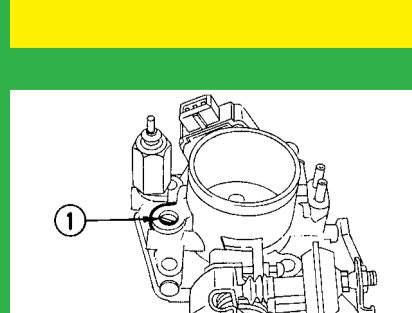
1781 cm<sup>3</sup>



1781 cm<sup>3</sup>



MPFi



MPFi