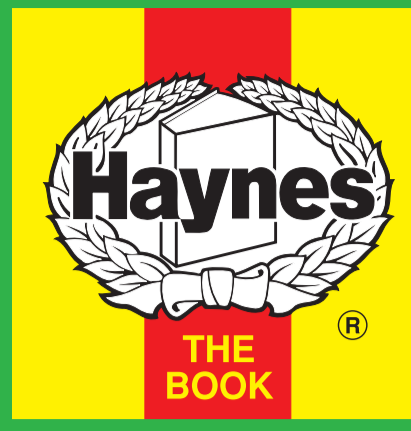


Engine & Cooling	Fuel	Ignition	Electrical	Running gear	Torque settings	Capacities	Notes & Illustrations
------------------	------	----------	------------	--------------	-----------------	------------	-----------------------



# Automotive Technical DATA BOOK

Click on one of the buttons above to view data for this car. To return to this screen and make another choice, click anywhere on the data screen.

MENU

HELP

## Engine and cooling system Celica 1.8i 1995 to 1997

Type		7A-FE DOHC 16V 85kW
Capacity (cm <sup>3</sup> ) / number of cylinders		1762 / 4
Compression ratio / pressure	bar	9.5 / 13.2
Oil pressure	bar	[2.5 to 5.0]
Oil temperature	°C	80
Valve clearance - inlet	mm	0.15 to 0.25
- exhaust	mm	0.25 to 0.35
Firing order		1-3-4-2
No 1 cylinder position		TBE
Thermostat opening temperature	°C	80 to 84
Radiator cap pressure	bar	0.80 to 1.10

## Fuel system Celica 1.8i 1995 to 1997

Idle speed - manual [auto]	rpm	700±50
Fast idle speed - manual [auto]	rpm	—
CO @ idle speed [3000 rpm] - see page VI	%	≤0.5 N/A
HC @ idle speed [3000 rpm] - see page VI	ppm	≤100
CO <sub>2</sub> @ idle speed [3000 rpm] - see page VI	%	—
O <sub>2</sub> @ idle speed [3000 rpm] - see page VI	%	—
Carburettor / fuel injection		_Toyota
Type / ref		MPI (D Jetronic)
Main jet / needle		—
Injection pressure	bar	2.7 to 3.1
Pump pressure	bar	—
Octane rating	RON	95[U]

## Ignition system Celica 1.8i 1995 to 1997

Type		Computerized
Ignition coil		—
Primary resistance	ohms	0.45 to 0.65
Ballast resistor	ohms	—
Voltage - Tmnl 15(+) to earth	V	—
Distributor		—
Points gap (air gap)	mm	[0.20 to 0.50]
Dwell angle	° (%)	—
Condenser capacity	µF	—
Rotation		—
Ignition timing - basic [static	° Crankshaft @ rpm	10 BTDC @ 700±50
V = Vacuum NV = No Vacuum		—
Total ignition advance	° Crankshaft @ rpm	Computer control
	° Crankshaft @ rpm	—
	° Crankshaft @ rpm	—
Centrifugal check.	° Crankshaft @ rpm	Computer control
	° Crankshaft @ rpm	—
	° Crankshaft @ rpm	—
Vacuum range check	mbar	Computer control
Maximum vacuum advance	° Crankshaft	—
Spark plugs		NGK
Type		BKR6EP13
Electrode gap	mm	1.30

## Electrical system Celica 1.8i 1995 to 1997

Battery	V / CC / RC	12 / 60Ah
Alternator voltage / full load current / engine rpm		13.5 to 15.1 / 70 / _
Starter motor current / voltage - cranking	A / V	—
- locked	A / V	—

## Running gear Celica 1.8i 1995 to 1997

<b>Brakes -</b>		
Front (min. friction material thickness)	mm	1.0
Rear (min. friction material thickness)	mm	1.0
<b>Tyres</b>		
Saloon	Size	195/65x14
Estate / Van	Size	—
Pressure - front / rear - Saloon	bar	Refer to vehicle
- Estate / Van	bar	—
<b>Front suspension / wheel alignment</b>		
Toe-in (+) / Toe-out (-)	mm [°]	0.0±1.0
Camber		-10'±45'
Castor		1°±45'
King pin inclination		14°10'±45'
<b>Rear suspension / wheel alignment</b>		
Toe-in (+) / Toe-out (-)	mm [°]	5.0±1.0
Camber		-45'±45'

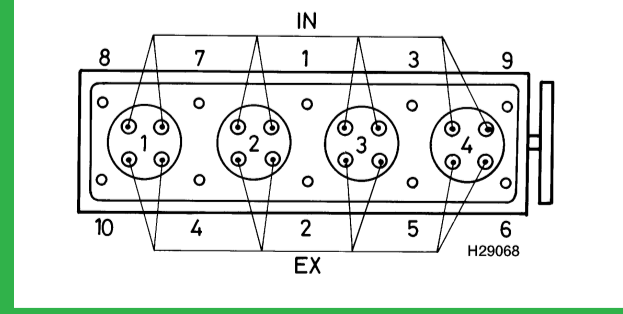
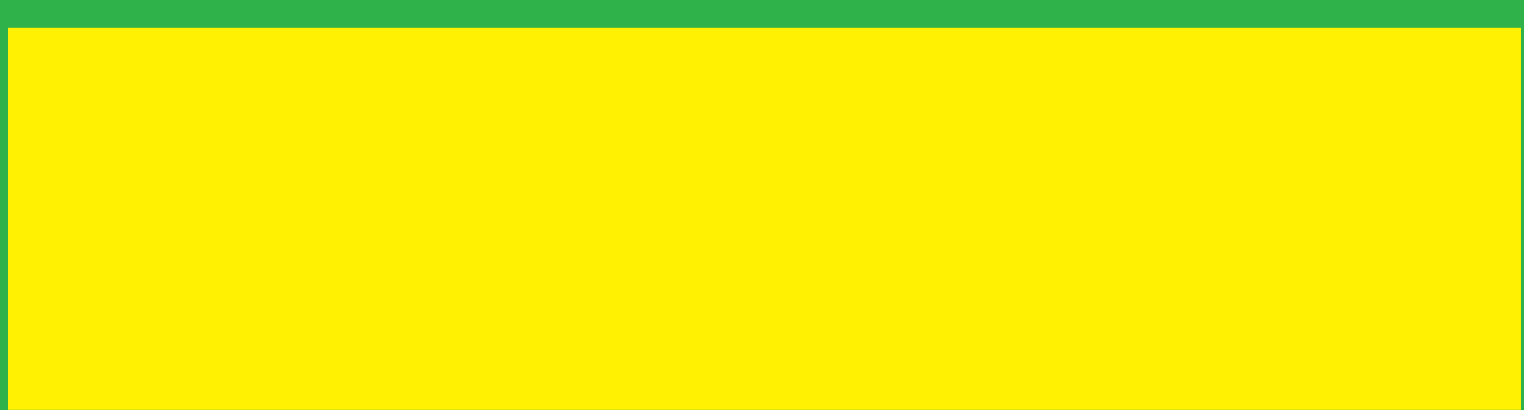
## Torque wrench settings Celica 1.8i 1995 to 1997

Cylinder head - stage 1	Nm	29
- stage 2	Nm	+ 90°
- stage 3	Nm	+ 90°
- stage 4	Nm	—
Big-end bearings	Nm	29 + 90°
Main bearings	Nm	60
Clutch cover	Nm	19
Flywheel [driveplate]	Nm	78
Front hubs	Nm	186
Rear hubs	Nm	123
Wheel nuts / bolts	Nm	103
Spark plugs	Nm	18

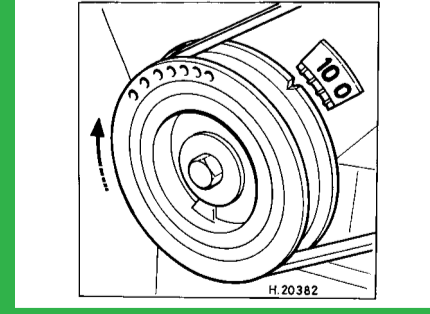
## Capacities Celica 1.8i 1995 to 1997

Engine oil & filter	litres	3.9
Gearbox - 4-speed [5-speed]	litres	2.6
Automatic transmission - refill	litres	—
Final drive	litres	WT
Cooling system	litres	6.5
Fuel tank	litres	60

## Notes and Illustrations



1762 cm<sup>3</sup>, 16V



1762 cm<sup>3</sup>, 16V