

Engine & Cooling	Fuel	Ignition	Electrical	Running gear	Torque settings	Capacities	Notes & Illustrations
------------------	------	----------	------------	--------------	-----------------	------------	-----------------------



Automotive Technical DATA BOOK

Click on one of the buttons above to view data for this car. To return to this screen and make another choice, click anywhere on the data screen.

MENU

HELP

Engine and cooling system Kadett/Astra/Belmont 1.8i 1986 to 1991

Type		18SE SOHC. 82kW. 15.04
Capacity (cm ³) / number of cylinders		1796 / 4
Compression ratio / pressure	bar	10.0 / _
Oil pressure	bar	1.5
Oil temperature	°C	80
Valve clearance - inlet	mm	0: Hyd.
Valve clearance - exhaust	mm	0: Hyd.
Firing order		1-3-4-2
No 1 cylinder position		TBE
Thermostat opening temperature	°C	92
Radiator cap pressure	bar	1.2 to 1.5

Fuel system Kadett/Astra/Belmont 1.8i 1986 to 1991

Idle speed - manual [auto]	rpm	800 to 900
Fast idle speed - manual [auto]	rpm	_
CO @ idle speed [3000 rpm] - see page VI	%	1.5±0.5 WSM
HC @ idle speed [3000 rpm] - see page VI	ppm	≤200
CO ₂ @ idle speed [3000 rpm] - see page VI	%	_
O ₂ @ idle speed [3000 rpm] - see page VI	%	_
Carburettor / fuel injection		Bosch
Type / ref		L3-Jetronic
Main jet / needle		_
Injection pressure	bar	_
Pump pressure	bar	2.5
Octane rating	RON	98[E 95 RON] ¹

Ignition system Kadett/Astra/Belmont 1.8i 1986 to 1991

Type		MSTS-i
Ignition coil		Bosch 90 273 965
Primary resistance	ohms	0.6 to 0.9
Ballast resistor	ohms	_
Voltage - Tmnl 15(+) to earth	V	_
Distributor		Bosch
Points gap (air gap)	mm	_
Dwell angle	° (%)	Electronic control
Condenser capacity	µF	_
Rotation		Anticlockwise
Ignition timing - basic [static	° Crankshaft @ rpm	8 to 12 BTDC @ 700 to 1000
V = Vacuum NV = No Vacuum		_
Total ignition advance	° Crankshaft @ rpm	98 RON: 15 to 19 @ 1800
	° Crankshaft @ rpm	95 RON: 10 to 14 @ 1800
	° Crankshaft @ rpm	_
Centrifugal check.	° Crankshaft @ rpm	Computer control
	° Crankshaft @ rpm	_
	° Crankshaft @ rpm	_
Vacuum range check	mbar	Computer control
Maximum vacuum advance	° Crankshaft	_
Spark plugs		AC/Champion
Type		CR42CXLS / RN7YC
Electrode gap	mm	0.70 to 0.80

Electrical system Kadett/Astra/Belmont 1.8i 1986 to 1991

Battery	V / CC / RC	12 / 210 / 150
Alternator voltage / full load current / engine rpm		14.5±0.25 / _ / 3500
Starter motor current / voltage - cranking	A / V	_
- locked	A / V	400 to 500 / 7.0 to 8.2

Running gear Kadett/Astra/Belmont 1.8i 1986 to 1991

Brakes -		
Front (min. friction material thickness)	mm	7.0 with backing
Rear (min. friction material thickness)	mm	0.5 above rivets

Tyres		
Saloon	Size	175/70x13:185/60x14:175/65x14
Estate / Van	Size	_
Pressure - front / rear - Saloon	bar	2.1 / 1.9
- Estate / Van	bar	_

Front suspension / wheel alignment

Toe-in (+) / Toe-out (-)	mm [°]	-2.0 to 0 L
Camber		-1°15' to +15'
Castor		+45' to 2°45'. Est: 0 to +2°
King pin inclination		_

Rear suspension / wheel alignment

Toe-in (+) / Toe-out (-)	mm [°]	[-10' to +40']
Camber		-30'±30'

Torque wrench settings Kadett/Astra/Belmont 1.8i 1986 to 1991

Cylinder head - stage 1	Nm	25 N
- stage 2	Nm	+90°
Cylinder head - stage 3	Nm	+90°
- stage 4	Nm	+90°
Big-end bearings	Nm	35 + 45° to 60°
Main bearings	Nm	50 + 40° to 50°
Clutch cover	Nm	15
Flywheel [driveplate]	Nm	65 + 30° to 45°
Front hubs	Nm	WSM
Rear hubs	Nm	WSM
Wheel nuts / bolts	Nm	90
Spark plugs	Nm	25

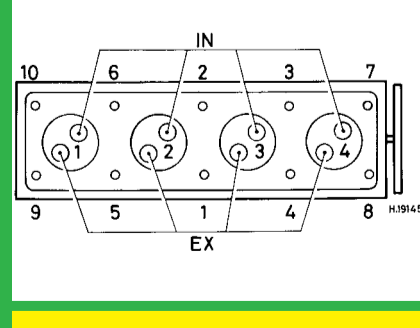
Capacities Kadett/Astra/Belmont 1.8i 1986 to 1991

Engine oil & filter	litres	4.0
Gearbox - 4-speed [5-speed]	litres	2.1
Automatic transmission - refill	litres	6.3
Final drive	litres	WT
Cooling system	litres	6.9
Fuel tank	litres	52

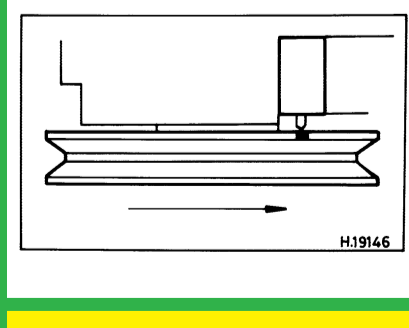
Notes and Illustrations

¹Octane rating plug = 95 RON. 89 ▶: [E 95 RON]

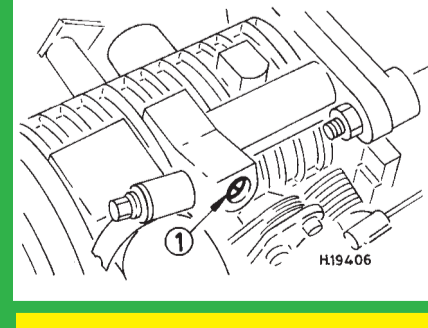
1: Idle speed 2: CO / Mixture



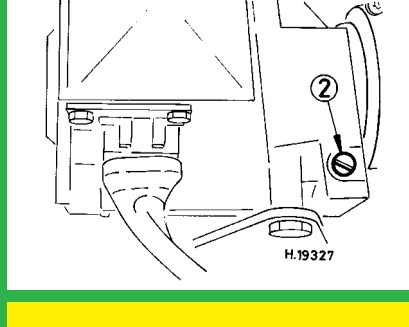
1796 cm³, 8V



1796 cm³, 18SE



L3-Jetronic



L3-Jetronic