



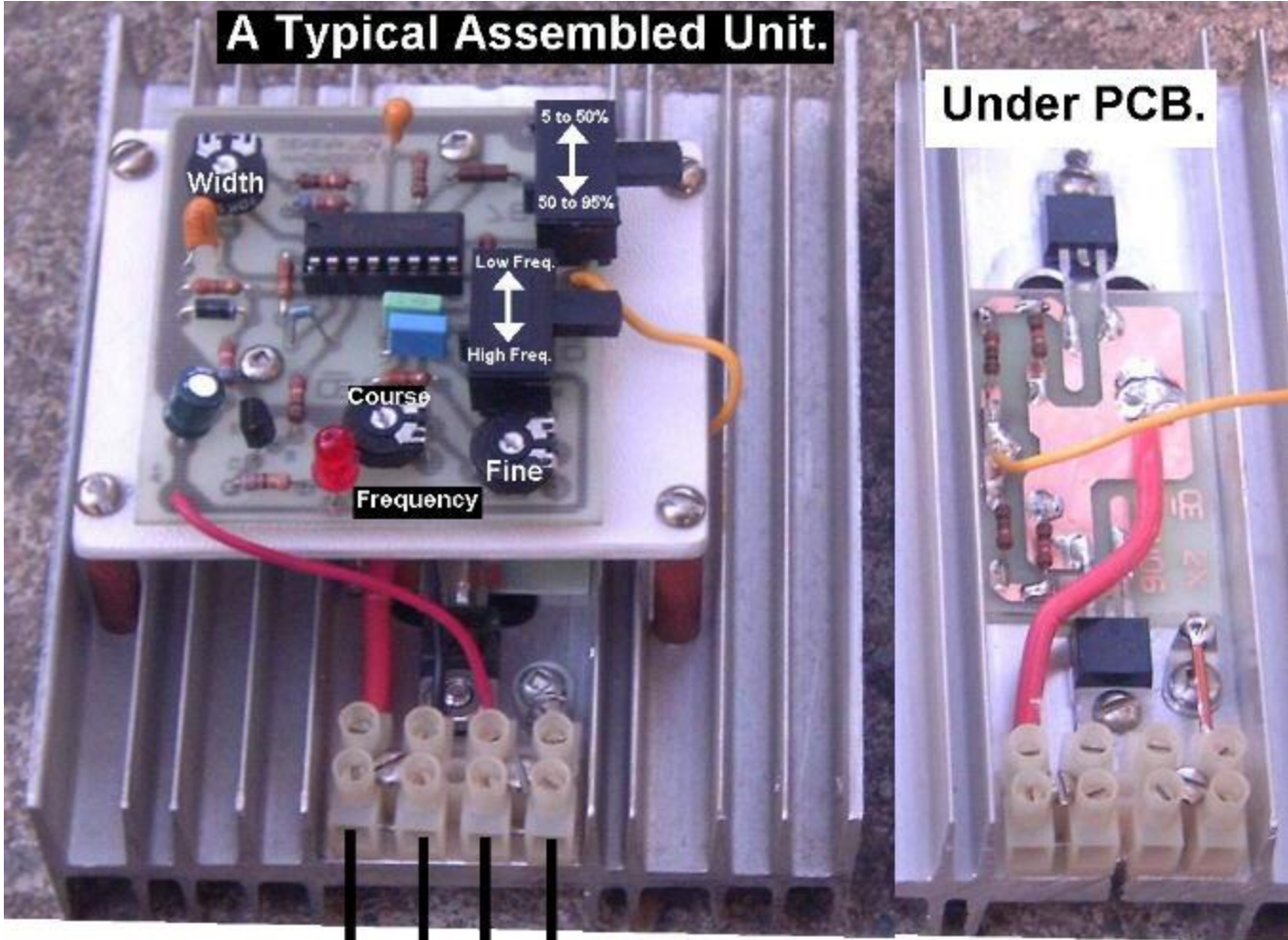
THIS IS THE GUY FROM WHOM I GOT THESE WATERCAR PLANS.

THE ORIGINAL ADEVELOPER IS UNKNOWN.
(may be based on Xogen)

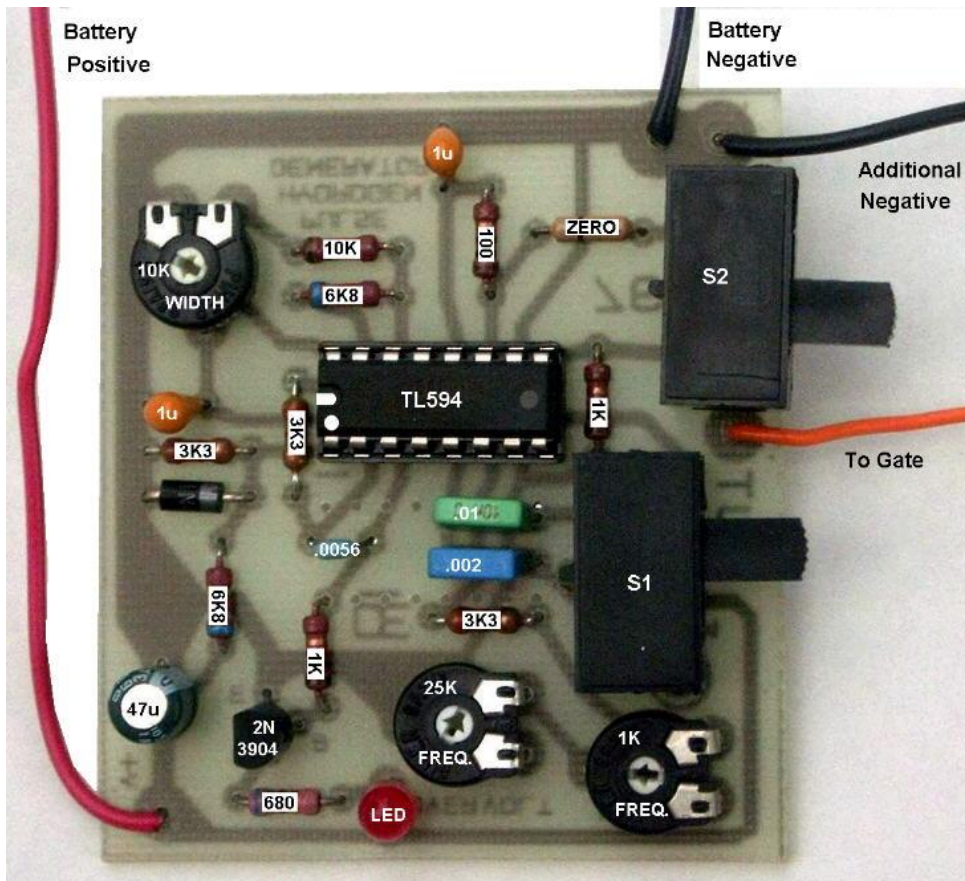
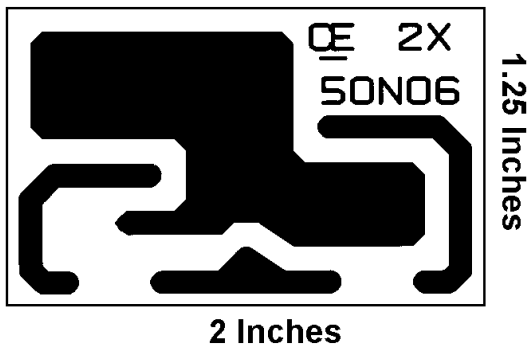
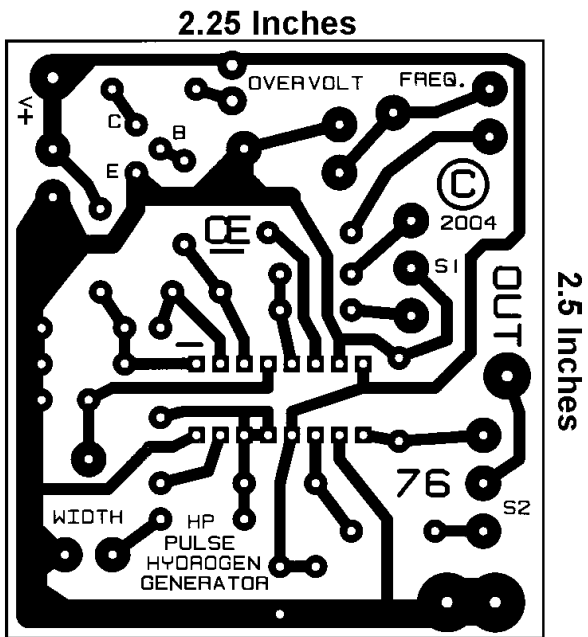
The guy in the picture is Drunvalo Melchizedek. He is the Editor-in-Chief of the international Internet magazine, Spirit of Ma'at, <http://www.spiritofmaat.com> with over 1 million viewers each year.

Drunvalo is a world traveler and has given workshops, seminars and lectures on sacred geometry, human energy fields, spirituality, meditation and living in the heart in 45 countries.

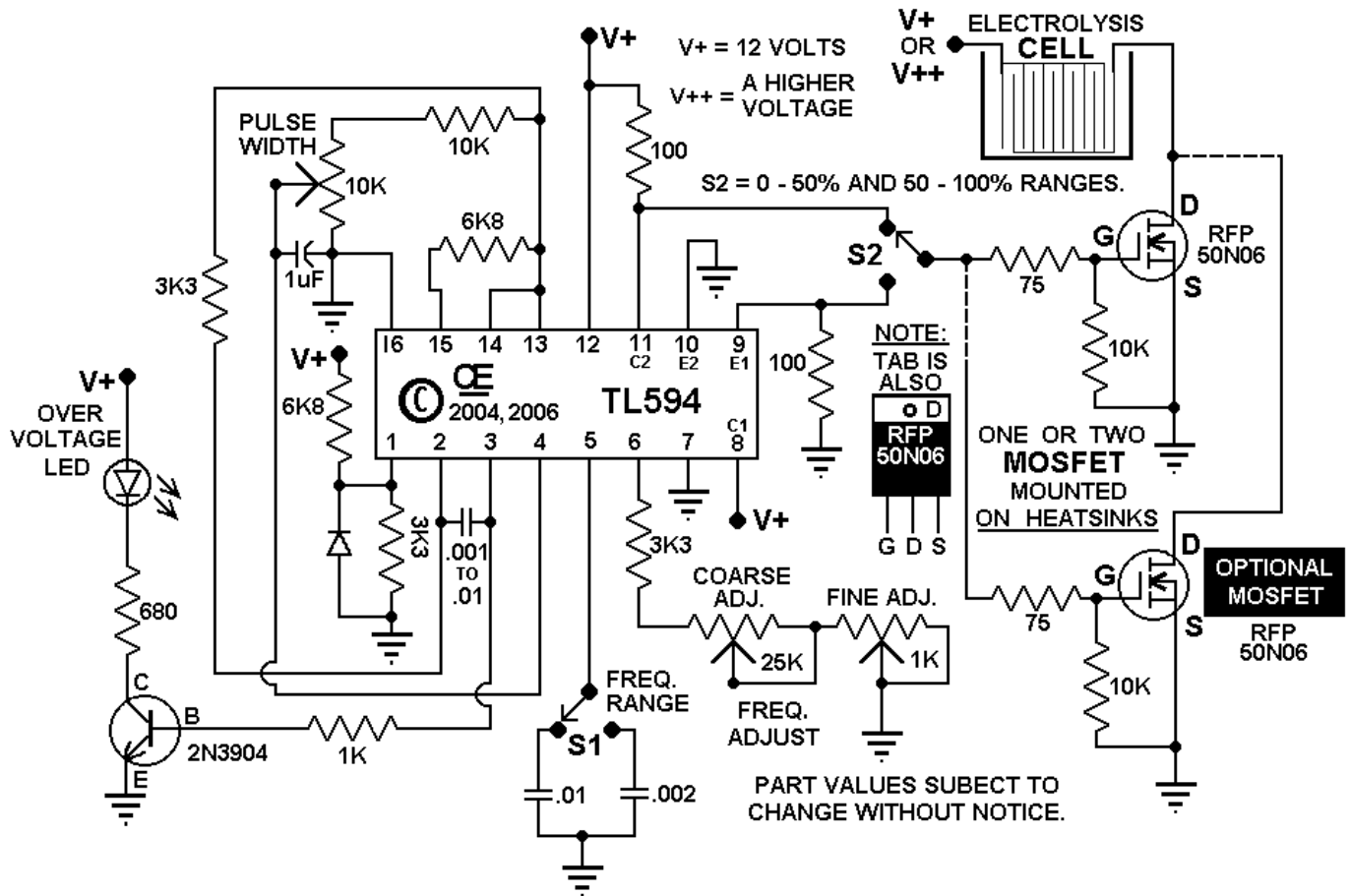
A Typical Assembled Unit.



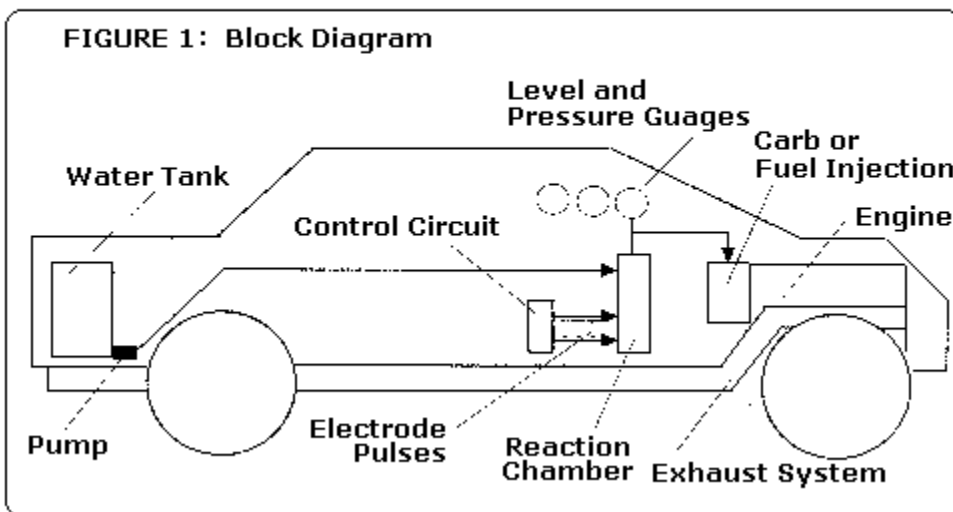
To Battery Neg. Power From Cell.
To Battery Neg. 12 Volts from Battery.
Note: Heatsink is Hot, Not Ground.



PULSE WIDTH AND FREQUENCY CONTROL FOR ELECTROLYSIS OF WATER.



CONVERT YOUR ENGINE TO BURN HYDROGEN AND OXYGEN VAPOR FROM WATER. ON-DEMAND POWER, POLLUTION FREE !



**BUILD YOUR OWN WATER VAPOR SYSTEM
CONTROLLER FROM THE-SHELF MATERIALS**

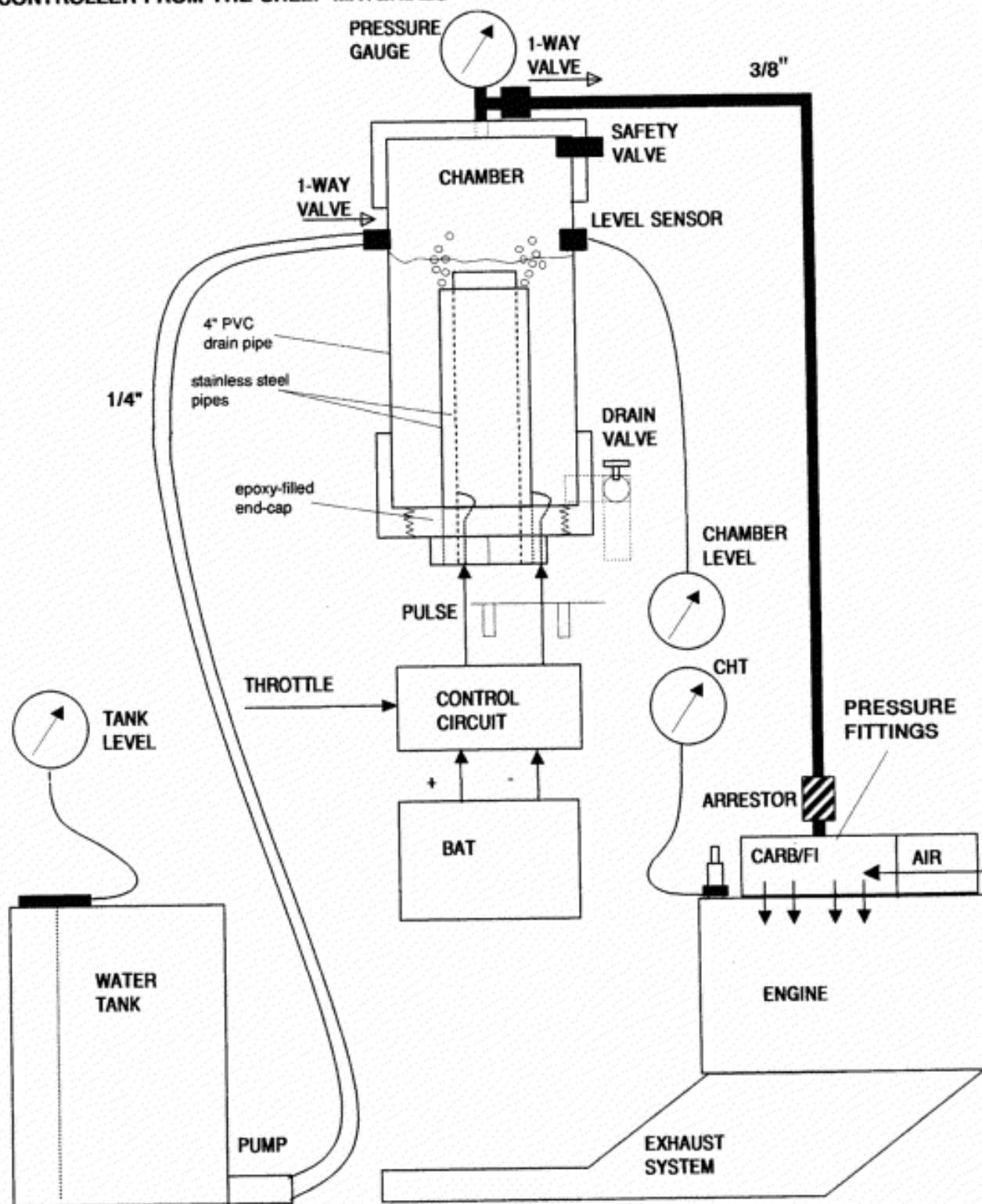


FIGURE 2 BLOC DIAGRAM

BUILD YOUR OWN WATER VAPOR SYSTEM CONTROLLER FROM THE-SHELF MATERIALS

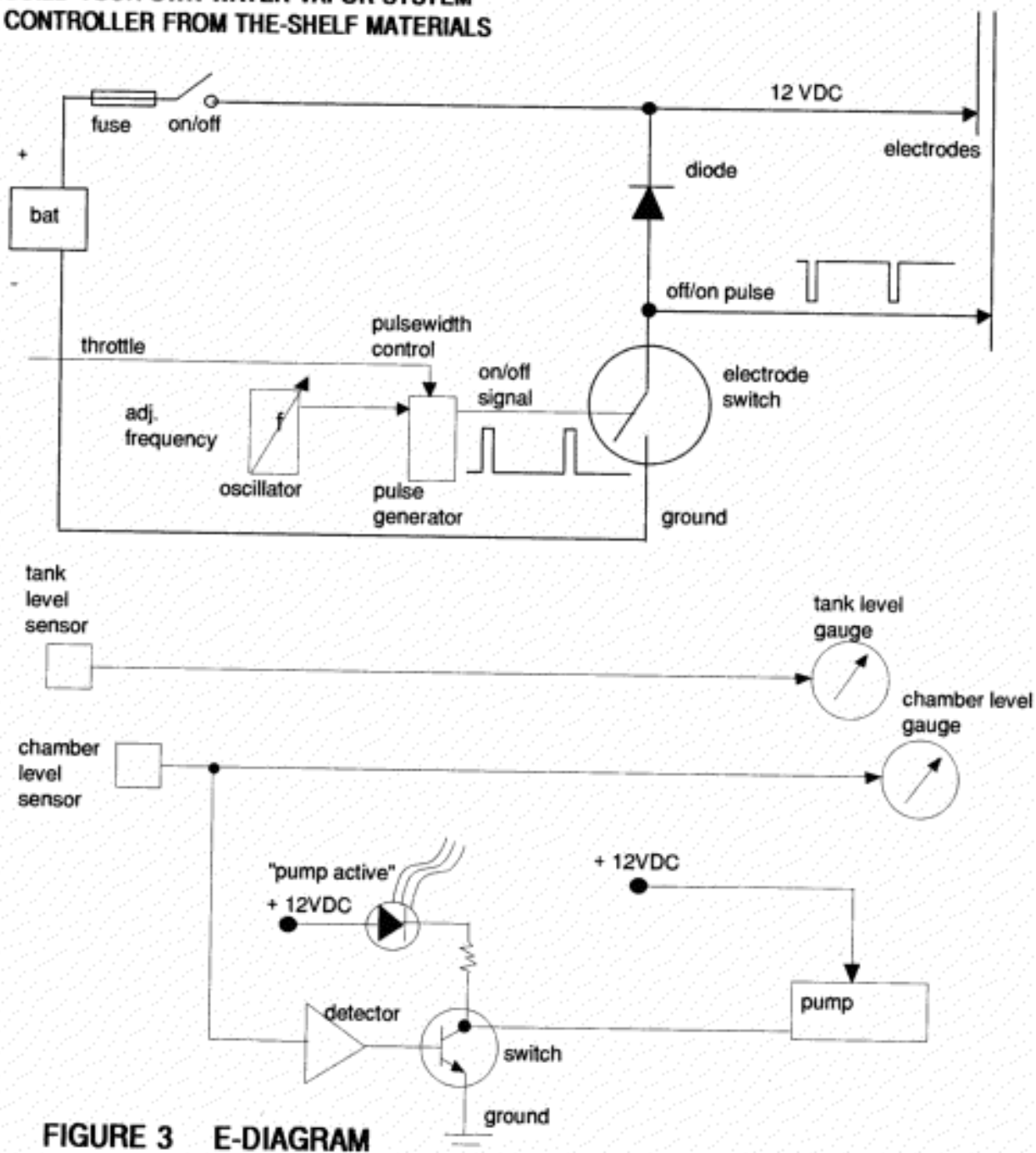


FIGURE 3 E-DIAGRAM

**BUILD YOUR OWN WATER VAPOR SYSTEM
CONTROLLER FROM THE-SHELF MATERIALS**

REV. A

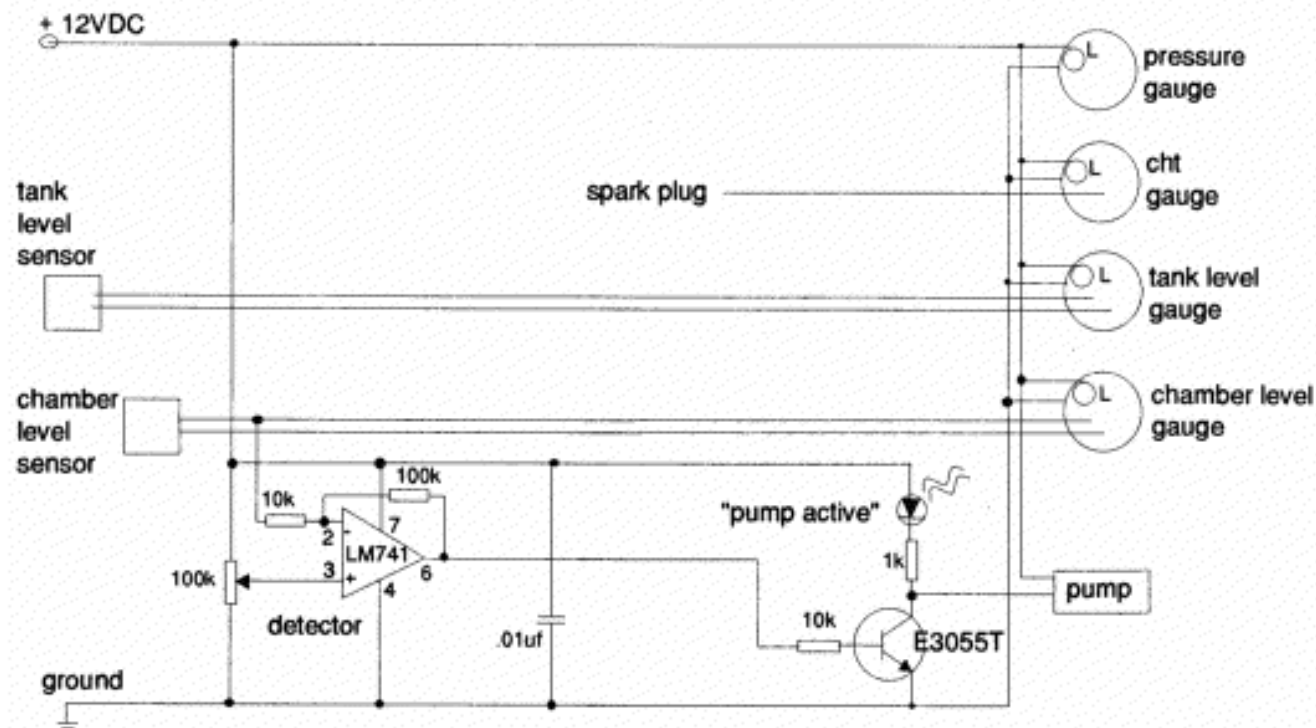
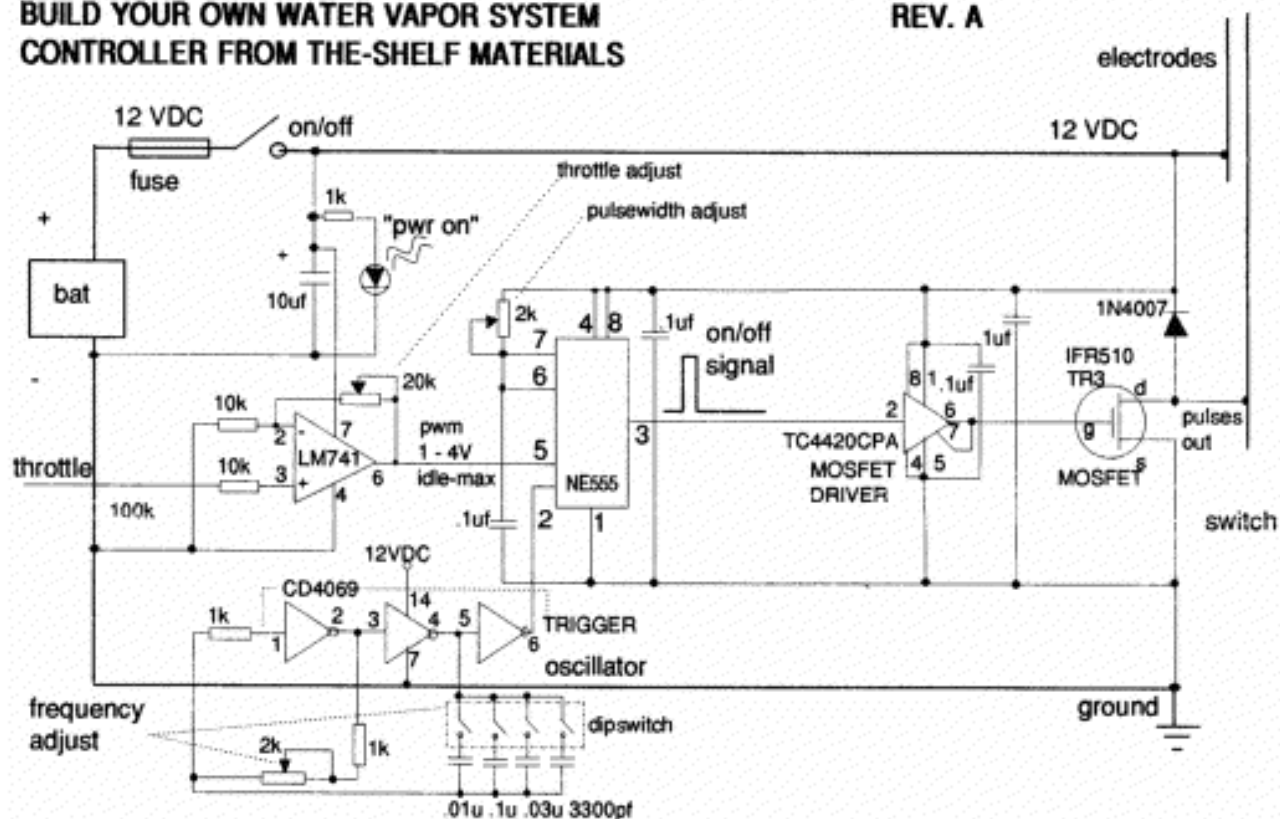


FIGURE 4 E-SCHEMATIC

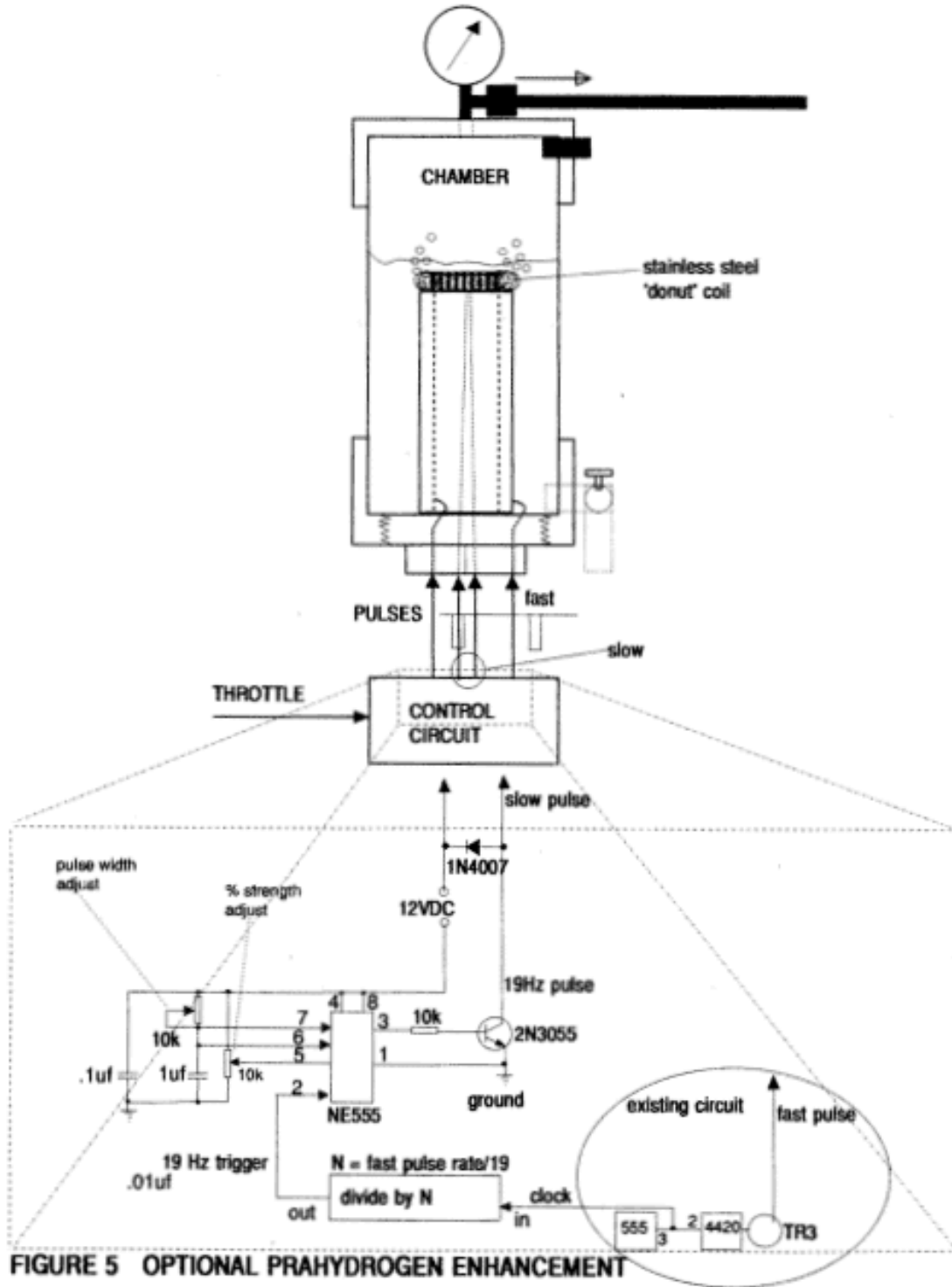


FIGURE 5 OPTIONAL PRAHYDROGEN ENHANCEMENT

**BUILD YOUR OWN WATER VAPOR SYSTEM
CONTROLLER FROM THE-SHELF MATERIALS**

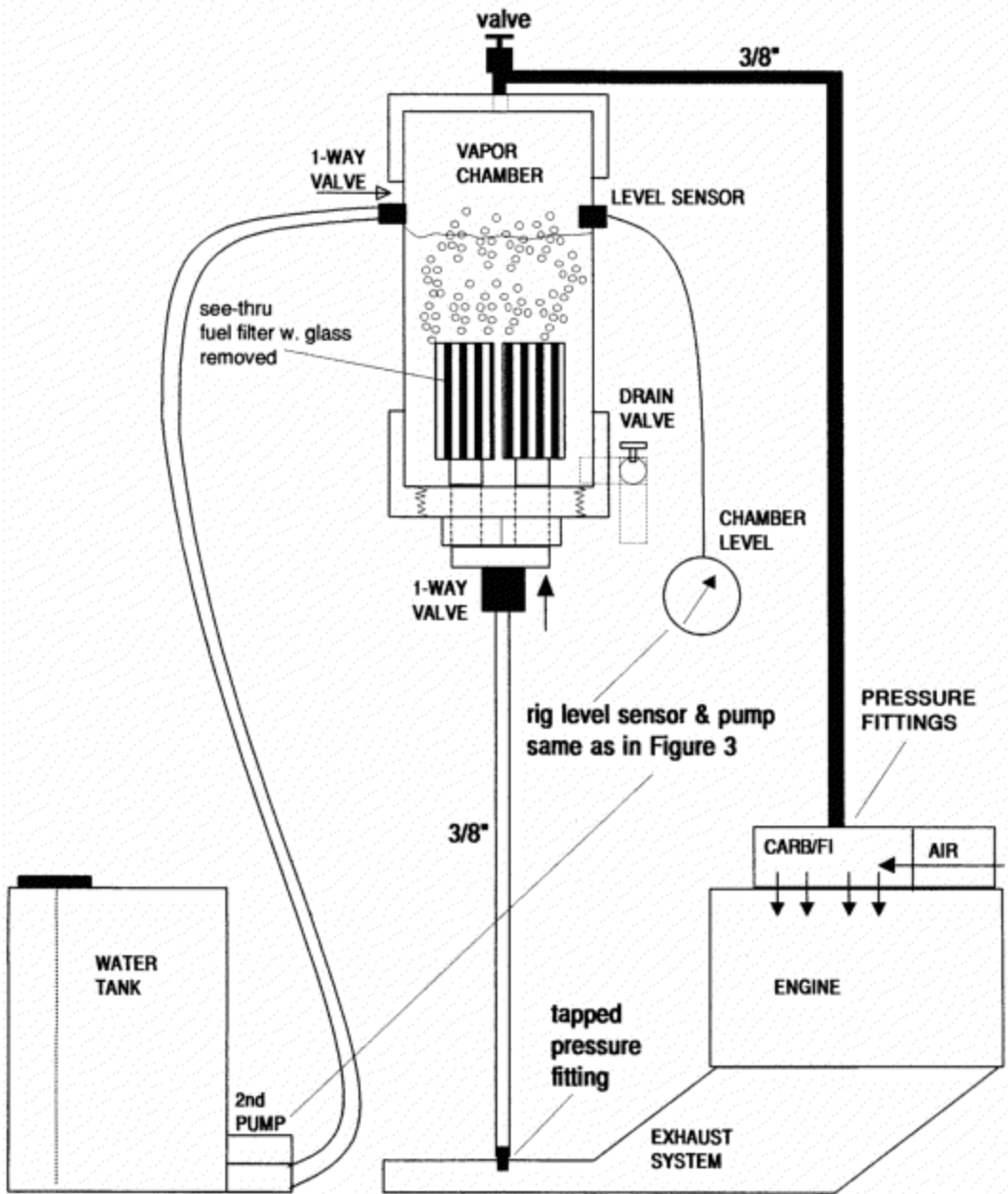


FIGURE 6 OPTIONAL WATER COOLING