

Smack's Booster

Smack's booster is a piece of equipment which increases the mpg performance of a car or motorcycle. It does this by using some current from the vehicle's battery to break water into a mixture of hydrogen and oxygen gasses called "hydroxy" gas which is then added to the air which is being drawn into the engine. The hydroxy gas improves the quality of the fuel burn inside the engine, increases the engine power, cleans old carbon deposits off the inside of the engine, reduces the unwanted exhaust emissions and improves the mpg figures under all driving conditions.

This hydroxy booster is easy to make and the components don't cost much. The technical performance of the unit is very good as it produces 1.7 liters of hydroxy gas per minute at a very reasonable current draw. This is how to make and use it.

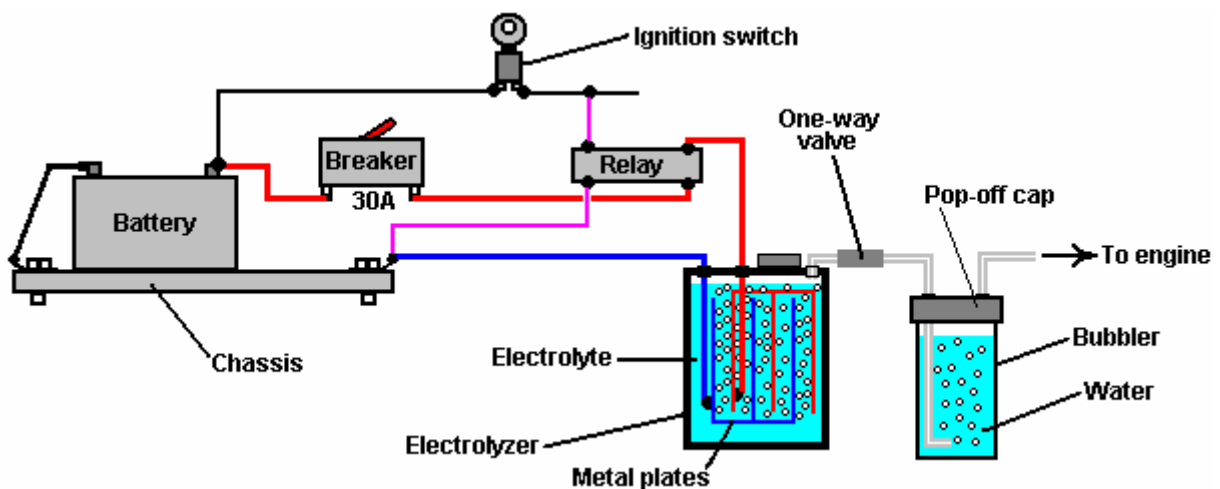
Caution: This is not a toy. If you make and use one of these, you do so entirely at your own risk. Neither the designer of the booster, the author of this document or the provider of the internet display are in any way liable should you suffer any loss or damage through your own actions. While it is believed to be entirely safe to make and use a booster of this design, provided that the safety instructions shown below are followed, it is stressed that the responsibility is yours and yours alone.

The Safety Gear

Before getting into the details of how to construct the booster, you must be aware of what needs to be done when using any booster of any design. Firstly, hydroxy gas is highly explosive. If it wasn't, it would not be able to do it's job of improving the explosions inside your engine. Hydroxy gas needs to be treated with respect and caution. It is important to make sure that it goes into the engine and nowhere else. It is also important that it gets ignited inside the engine and nowhere else.

To make these things happen, a number of common-sense steps need to be taken. Firstly, the booster must not make hydroxy gas when the engine is not running. The best way to arrange this is to switch off the current going to the booster. It is **not** sufficient to just have a manually-operated dashboard On/Off switch as it is almost certain that switching off will be forgotten one day. Instead, the electrical supply to the booster is routed through the ignition switch of the vehicle. That way, when the engine is turned off and the ignition key removed, it is certain that the booster is turned off as well.

So as not to put too much current through the ignition switch, instead of wiring the booster directly to the switch, it is better to make the ignition switch power a standard automotive relay and let the relay carry the booster current. An extra safety feature is to allow for the (very unlikely) possibility of an electrical short-circuit occurring in the booster or its wiring. This is done by putting a fuse or contact-breaker between the battery and the new circuitry as shown in this sketch:



If you chose to use a contact-breaker, then a light-emitting diode ("LED") with a current limiting resistor of say, 680 ohms in series with it, can be wired directly across the contacts of the circuit breaker. The LED can be mounted on the dashboard. As the contacts are normally closed, they short-circuit the LED and so no

light shows. If the circuit-breaker is tripped, then the LED will light up to show that the circuit-breaker has operated. The current through the LED is so low that the electrolyser is effectively switched off. This is not a necessary feature, merely an optional extra feature:



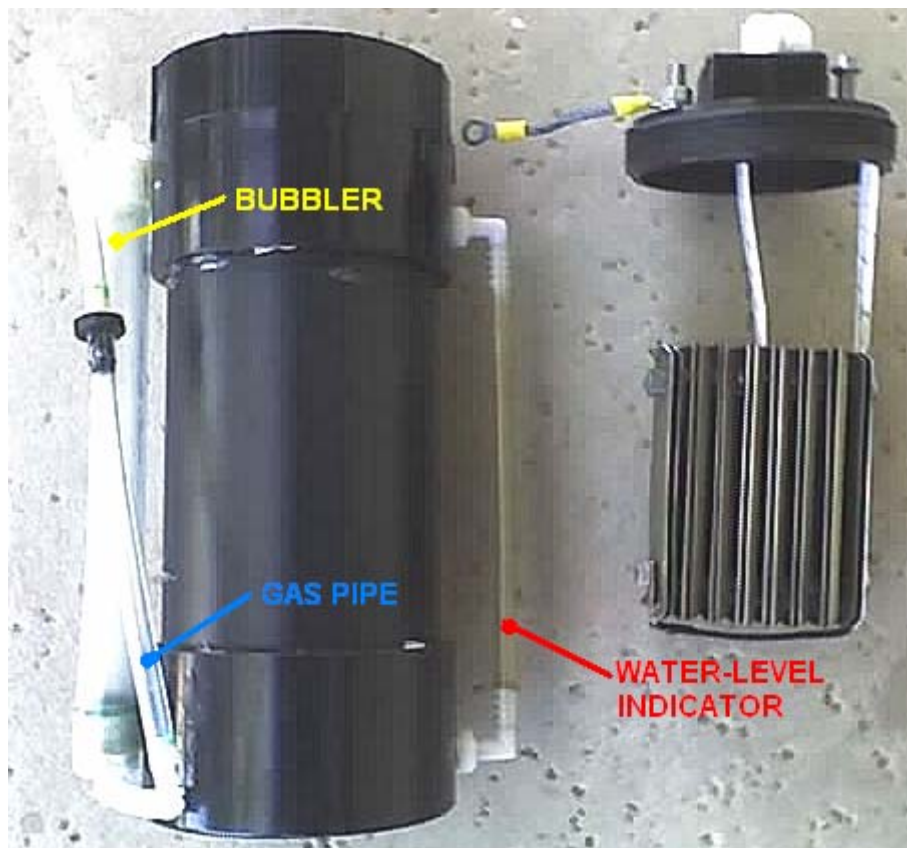
In the first sketch, you will notice that the booster contains a number of metal plates and the current passing through the liquid inside the booster (the “electrolyte”) between these plates, causes the water to break up into the required hydroxy gas mix. A very important safety item is the “bubbler” which is just a simple container with some water in it. The bubbler has the gas coming in at the bottom and bubbling up through the water. The gas collects above the water surface and is then drawn into the engine through an outlet pipe above the water surface. To prevent water being drawn into the booster when the booster is off and cools down, a one-way valve is placed in the pipe between the booster and the bubbler.

If the engine happens to produce a backfire, then the bubbler blocks the flame from passing back through the pipe and igniting the gas being produced in the booster. If the booster is made with a tightly-fitting lid rather than a screw-on lid, then if the gas in the bubbler is ignited, it will just blow the lid off the bubbler and rob the explosion of any real force. A bubbler is a very simple, very cheap and very sensible thing to install.

You will notice that the wires going to the plates inside the electrolyser are both connected well below the surface of the liquid. This is to avoid the possibility of a connection working loose with the vibration of the vehicle and causing a spark in the gas-filled region above the surface of the liquid, which is kept as low as possible as another safety feature.

The Design

The booster is made from a length of 4-inch diameter PVC pipe, two caps, several metal plates, a couple of metal straps and some other minor bits and pieces:



This is not rocket science, and this booster can be built by anybody. A clever extra feature is the transparent plastic tube added to the side of the booster, to show the level of the liquid inside the booster without having to unscrew the cap. Another neat feature is the very compact transparent bubbler which is actually attached to the booster and which shows the gas flow coming from the booster. The main PVC booster pipe length can be adjusted to suit the available space beside the engine.



This booster uses cheap, standard electrical stainless steel wall switch covers from the local hardware store and stainless steel straps cut from the handles of food-preparation ladles. The electrical cover plates are clamped together in an array of eight closely-spaced pairs of covers. These are suspended inside a container made from 4-inch (100 mm) diameter PVC pipe. The pipe is converted to a container by using PVC glue to attach an end-cap on one end and a screw-cap fitting on the other. The container then has the gas-supply pipe fitting attached to the cap, which is drilled with two holes to allow the connecting straps for the plate array to be bolted to the cap, as shown here:







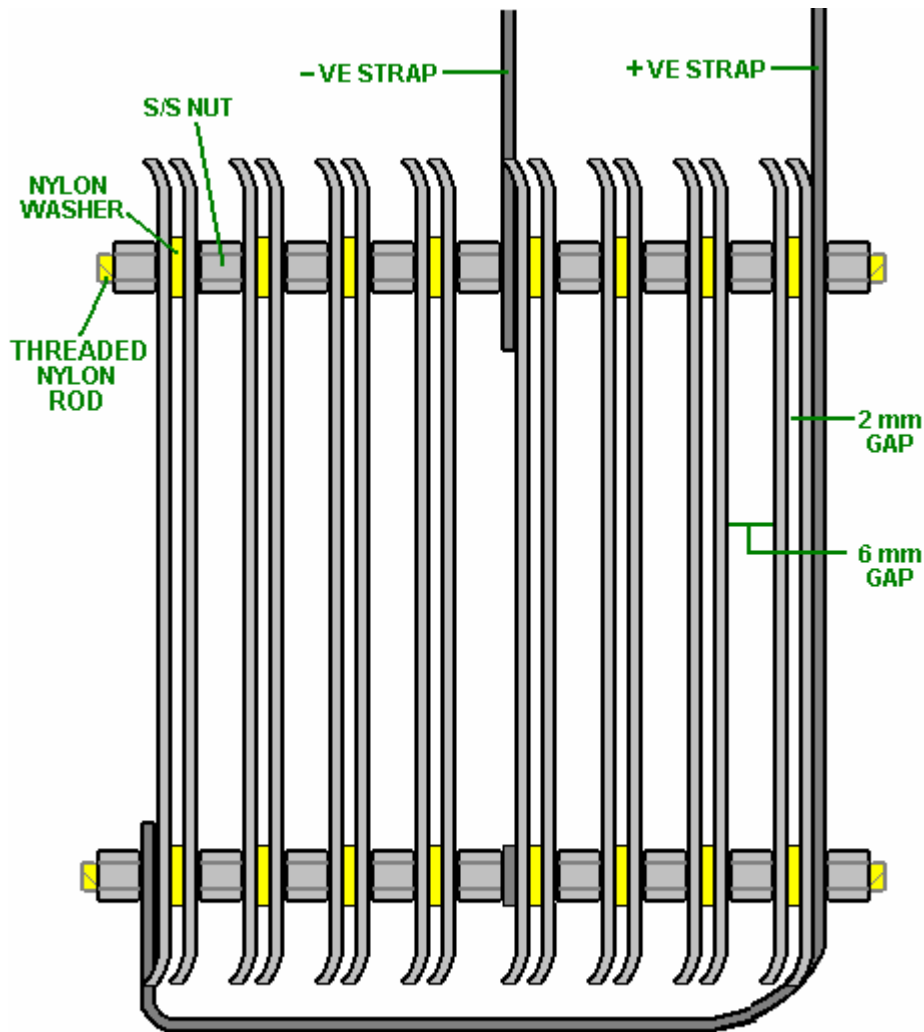
The picture above shows clearly the wall plates being used and how the bubbler is attached to the body of the booster with super-glue. It also shows the various pipe connections. The stainless steel switch-cover

plates are 2.75 inch x 4.5 inch (70 mm x 115 mm) in size and their existing mounting holes are drilled out to quarter inch (6 mm) diameter in order to take the plastic bolts used to hold the plates together into an array. Two stainless steel straps are used to attach the plate array to the screw cap of the booster. These straps are taken from the handles of cooking utensils and they connect to three of the plates as the outside strap runs across the bottom of the plate array, clear of the plates, and connects to both outside plates as can be seen in both the above photographs and the diagram below.

The plates are held in position by two plastic bolts which run through the original mounting holes in the plates. The arrangement is to have a small 2 mm gap between each of eight pairs of plates. These gaps are produced by putting plastic washers on the plastic bolts between each pair of plates.

The most important spacing here is the 2 mm gap between the plates as this spacing has been found to be very effective in the electrolysis process. The way that the battery is connected is unusual in that it leaves most of the plates apparently unconnected. These plate pairs are called "floaters" and they do produce gas in spite of looking as if they are not electrically connected.

Stainless steel nuts are used between each pair of plates and these form an electrical connection between adjacent plates. The plate array made in this way is cheap, easy to construct and both compact and robust. The electrical straps are bolted to the screw cap at the top of the unit and this both positions the plate array securely and provides electrical connection bolts on the outside of the cap while maintaining an airtight seal for the holes in the cap.



SIDE VIEW OF PLATE ARRAY

Notice that the metal strap running across at the bottom of the array is held in place because it passes through slots cut in the lower edge of the outside covers. The three slotted covers used in this array look like this:



And they are assembled like this:



The slots in the covers are cut using my band saw but they could be made with an ordinary bench grinder or angle grinder. The plates are held in a vise when being drilled:



The covers are further treated by being clamped to a workbench and dented using a centre-punch and hammer. These indentations raise the gas output from 1.5 lpm to 1.7 lpm as the both increase the surface area of the cover and provide points from which the gas bubbles can drop off the cover more easily. The more indentations the better:



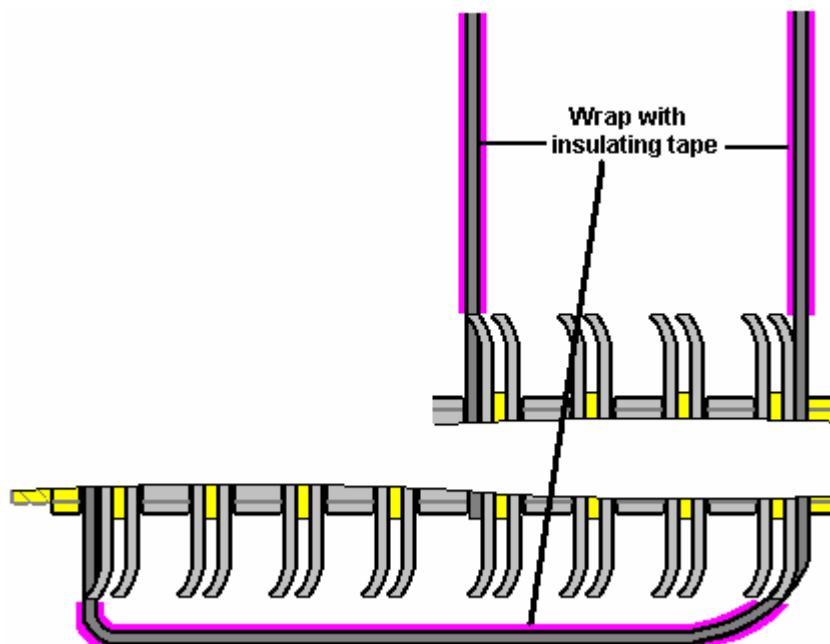
The preparation of the plates is very important indeed. After the indentation process, they plates should be sand-blasted. If you do not have the equipment for this, then I strongly recommend that you take the plates to your local metal-working shop and get them to do the sand-blasting for you.

The finished plate, ready for sand-blasting looks like this:

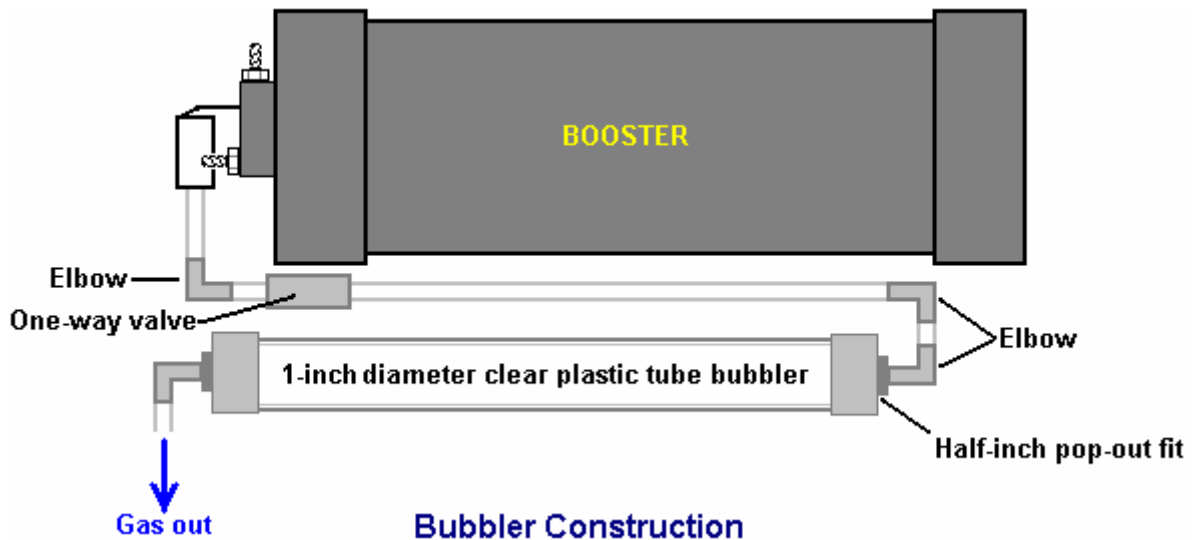


I know that it may seem a little fussy, but it has been found that fingerprints on the plates of any electrolyzer seriously hinder the gas production because they reduce the working area of the plate quite substantially. It is important then, to either avoid all fingerprints (by wearing clean gloves) or finish the plates by cleaning all grease and dirt off the working surfaces with a good solvent, which is washed off afterwards with distilled water.

Another very practical point is that the stainless steel straps running from the screw cap to the plate array, need to be insulated so that current does not leak between them. The same applies to the section of the strap which runs underneath the plates. This insulating can be done by wrapping the straps in electrical insulating tape which has been found to work very well, staying secure for months of use. The tape is wrapped tightly around the straps, being stretched slightly as it is wrapped. The section running underneath the covers is wrapped before the array is assembled.



The PVC housing for the booster has two small-diameter angle pipe fittings attached to it and a piece of clear plastic tubing placed between them so that the level of the electrolyte can be checked without removing the screw cap. The white tube on the other side of the booster is a compact bubbler which is glued directly to the body of the booster using super-glue in order to produce a single combined booster/bubbler unit. The bubbler arrangement is shown here, spread out before gluing in place as this makes the method of connection easier to see.



The half-inch diameter elbows at the ends of the one-inch diameter bubbler tube have their threads coated with silicone before being pushed into place. This allows both of them to act as pressure-relief pop-out fittings in the unlikely event of the gas being ignited. This is an added safety feature of the design.

This booster is operated with a solution of Potassium Hydroxide also called KOH or Caustic Potash which can be bought from Summer Bee Meadow at <http://www.summerbeemeadow.com/> via their "Soapmaking Supplies" button. To get the right amount in the booster, I fill the booster to its normal liquid level and add the Hydroxide a little at a time, until the current through the booster is about 4 amps below my chosen working current of 20 amps. This allows for the unit heating up when it is working and drawing more current because the electrolyte is hot. The amount of KOH is typically 2 teaspoonfulls.

The completed booster usually looks like this:



But, it can be built using different materials to give it a cool look:



And attached to a cool bike:



The final important thing is how the booster gets connected to the engine. The normal mounting for the booster is close to the carb or throttle body so that a short length of piping can be used to connect the booster to the intake of the engine. The connection can be to the air box which houses the filter, or into the intake tube. The closer to the butterfly valve the better, because for safety reasons, we want to reduce the volume of hydroxy gas hanging around in the intake system. You can drill and tap a 1/4" (6 mm) NPT fitting into the plastic inlet tubing with a barbed end for connecting the 1/4" (6 mm) hose.

The shorter the run of tubing to the air ductwork of the engine, the better. Again, for safety reasons, we want to limit the amount of unprotected hydroxy gas. If a long run of 3 feet (1 metre) or more must be used due to space constraints, then it would be a good idea to add another bubbler at the end of the tube, for additional protection. If you do this, then it is better to use a larger diameter outlet hose, say 3/8" or 5/16" (10 mm or 12 mm).

If you don't have the necessary tools or workspace, then I will make one of these boosters for you for US \$200 plus shipping. If you would like to have me do this for you, then e-mail me at eletr1k@hotmail.com

The parts needed to build this booster with it's bubbler are easily found:



Each of the main items needed to construct the booster and its attached bubbler, are shown here:

The Main Parts Needed

Part	Quantity	Comment
4-inch diameter PVC pipe 12-inches long	1	Forms the body of the booster
4-inch diameter PVC pipe end-cap	1	Closes the bottom of the booster
4-inch diameter PVC pipe screw cap	1	The top of the booster
Half-inch diameter PVC pipe elbow	1	The gas take-off from the booster
Quarter-inch diameter PVC pipe elbow	2	The water-level indicator connectors
Quarter-inch clear plastic tubing	36 - inch	The water-level indicator tubing
Stainless steel switch covers	16	The plate array components
Stainless steel straps 12-inches long	2	The electrical connections to the plates
One-inch diameter PVC pipe	12-inch	Available at Home Depot
Quarter-inch stainless steel bolts 1" long	2	Electrical strap connection to the top cap
Quarter-inch stainless steel nuts & washers	2	To fit the steel bolts
Quarter-inch diameter stainless steel nuts	14	To fit nylon threaded rod
Quarter-inch diameter nylon threaded rod	8" min.	Nylon Threaded Rod 1/4"-20 Thread. McMaster Carr Part No 98831A028
Quarter-inch nylon washers	1-pack	Nylon 6/6 Flat Washer 1/4" Screw Size,.252" ID,.472" OD, .054"- .070" Thick, Packs of 100 McMaster Carr Part No 90295A140
Quarter-inch Tube Fitting 90 Degree Elbow	2	Sanitary White PVDF Single-Barbed Tube Fitting 90 Degree Elbow for 1/4" Tube ID X 1/2" NPT Male Pipe. McMaster Carr Part No 53055K189
Quarter-inch Tube Fitting 90 Degree Elbow	2	Sanitary White PVDF Single-Barbed Tube Fitting 90 Degree Elbow for 1/4" Tube ID X 1/4" NPT Male Pipe. McMaster Carr Part No 53055K183
One-way valve	2	Diaphragm Check Valve Nylon Body/Fluorosilicone Diaphragm, 1/4" Barb McMaster Carr Part No 47245K27
PVC glue	1 tube	Same color as the PVC pipe if possible
Optional: Light Emitting Diode	1	10 mm diameter, red, with panel-mounting clip
Quarter-watt resistor	1	470 ohm (code bands: Yellow, Purple, Brown)

Now, having shown how this very effective booster and bubbler are constructed, it should be pointed out that if you use it with a vehicle fitted with an Electronic Control Unit which monitors fuel injection into the engine, then the fuel-computer section will offset the gains and benefits of using this, or any other, booster. The solution is not difficult, as the fuel-computer can be controlled by adding in a little circuit board to adjust the sensor signal fed to the computer from the oxygen sensor built into the exhaust of the vehicle. Ready-built units are available for this or you can make your own. If you want to make your own, then the web site document <http://panacea-bocaf.org/files/patrickkelly/D17.pdf> shows you how.

Enjoy using this booster and do your part in cutting greenhouse gas emissions.

Eletrik