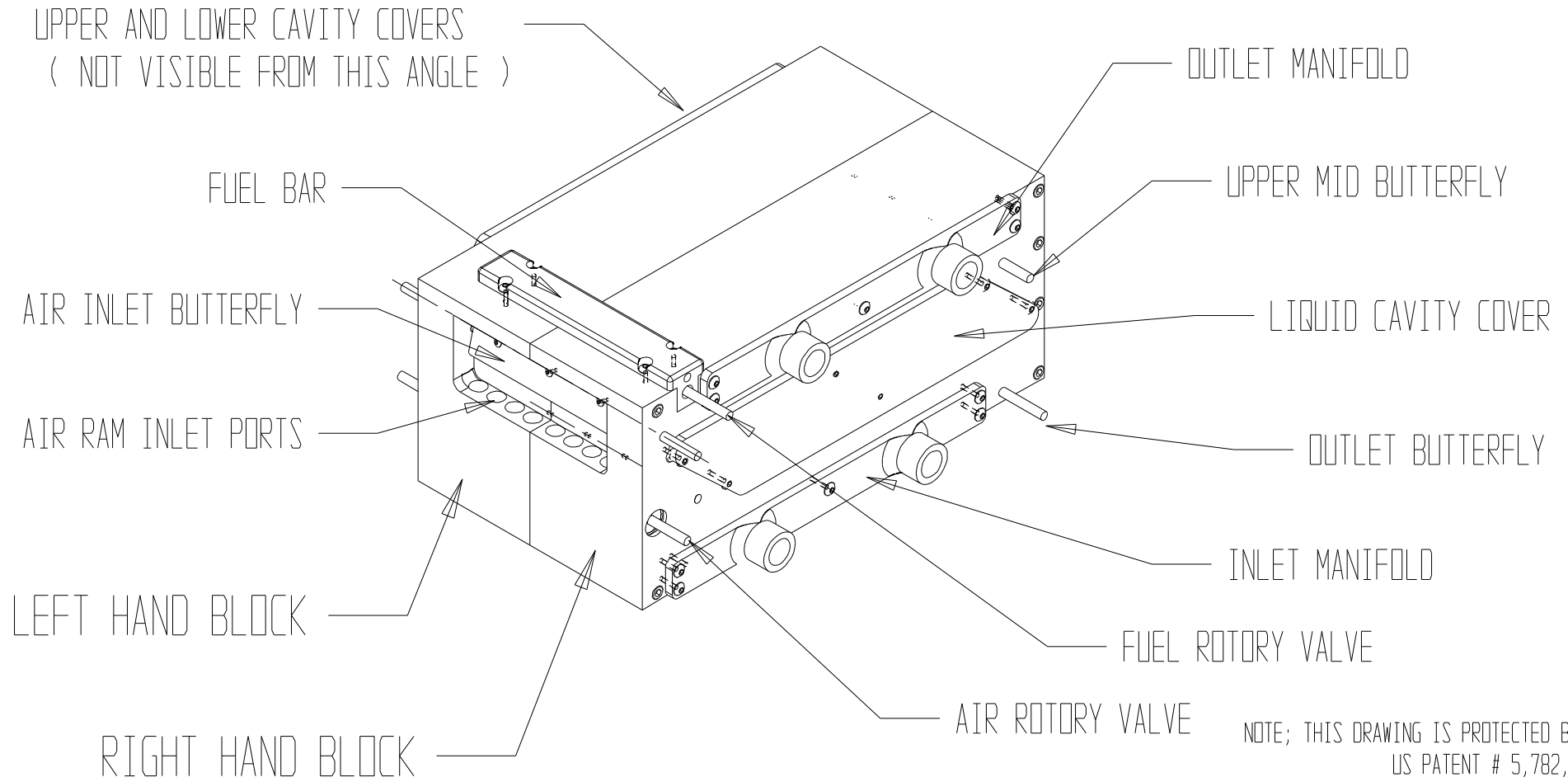


REV	DESCRIPTION	DATE	BY
*	*	*	*

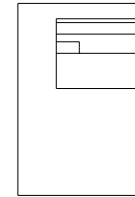
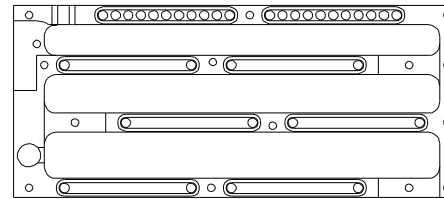
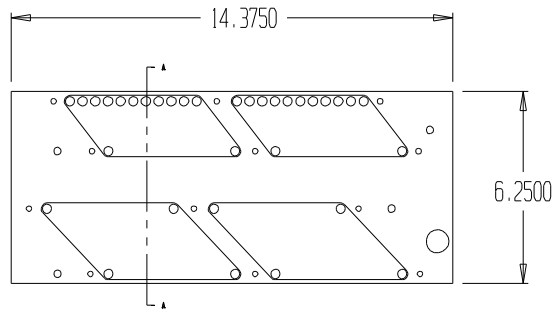
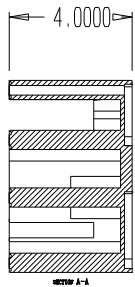
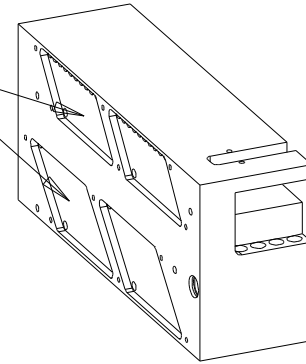


NOTE; THIS DRAWING IS PROTECTED BY
US PATENT # 5,782,225

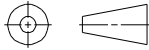
				*	*	*	*	
				ITEM	DWG NO.	TITLE		QTY
FRACTIONS ± 1/16 DECIMALS .X ± .030 .XX ± .010 .XXX ± .005 ANGLES ± 1°				MATL TYPE: * MATL SIZE: *		APPROVALS DRAWN: DHK APPROVED: * * DESIGNER: AC		DATE JAN' 2002 OCT' 1994
ALL DIMENSIONS IN INCHES UNLESS OTHERWISE SPECIFIED				THIRD ANGLE PROJECTION		<i>Allen Caggiano</i>		TITLE: FULL BLOCK ASSEMBLY
				DO NOT SCALE DRAWING	SCALE: *	SIZE: B	DWG NO. 2071-001-F	REV *

REV	DESCRIPTION	DATE	BY
*	*	*	*

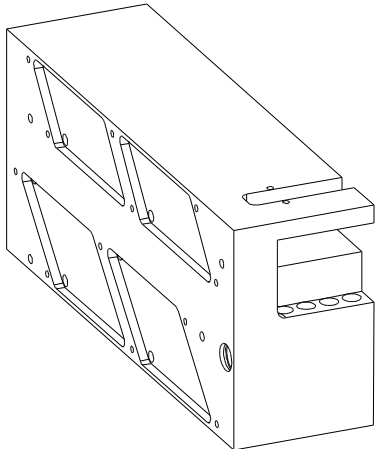
LIQUID WALL CAVITIES



NOTE; THIS DRAWING IS PROTECTED BY
US PATENT # 5,782,225

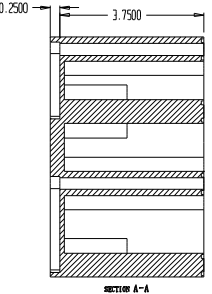
		*	*	*	*
		ITEM	DWG NO.	TITLE	QTY
FRACTIONS $\pm 1/16$ DECIMALS .X $\pm .030$.XX $\pm .010$.XXX $\pm .005$ ANGLES $\pm 1^\circ$	MATL TYPE: T6 ALUMINIUM BILLET	<i>Allen Caggiano</i>		TITLE: LEFT & RIGHT BLOCK SIZE	
	MATL SIZE: 14.500" X 6.375" X 4.100"				
	ALL DIMENSIONS IN INCHES UNLESS OTHERWISE SPECIFIED	DO NOT SCALE DRAWING	SCALE: *	SIZE: B	DWG NO. 2071-002-F
	 THIRD ANGLE PROJECTION	DRAWN: DHK	JAN' 2002	APPROVED: * *	DESIGNER: AC
			OCT' 1994		

REV	DESCRIPTION	DATE	BY
*	*	*	*

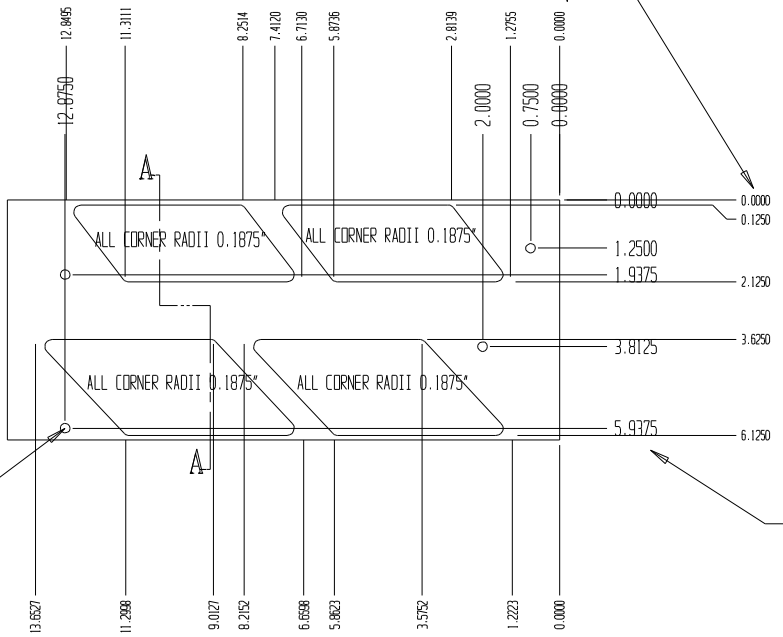


VIEW #586

SMALL PRINTED DIMENSIONS REFER TO THE INTERSECTION POINTS OF THE CAVITY PROFILE



DRILL & REAM 0.250" DIAMETER HOLES FOR BUTTERFLIES IN 4 PLACES



LAGER PRINTED DIMENSIONS REFER TO THE BUTTERFLY HOLES

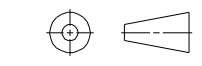
NOTE; THIS DRAWING IS PROTECTED BY US PATENT # 5,782,225

FRACTIONS	± 1/16
DECIMALS	± .030
.X	± .010
.XX	± .005
.XXX	± 1°
ANGLES	

MATL TYPE: *

MATL SIZE: *

ALL DIMENSIONS IN INCHES UNLESS OTHERWISE SPECIFIED

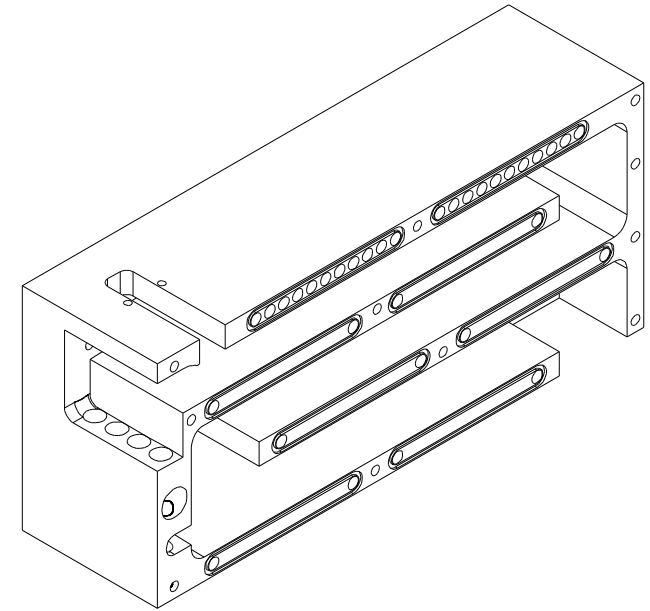
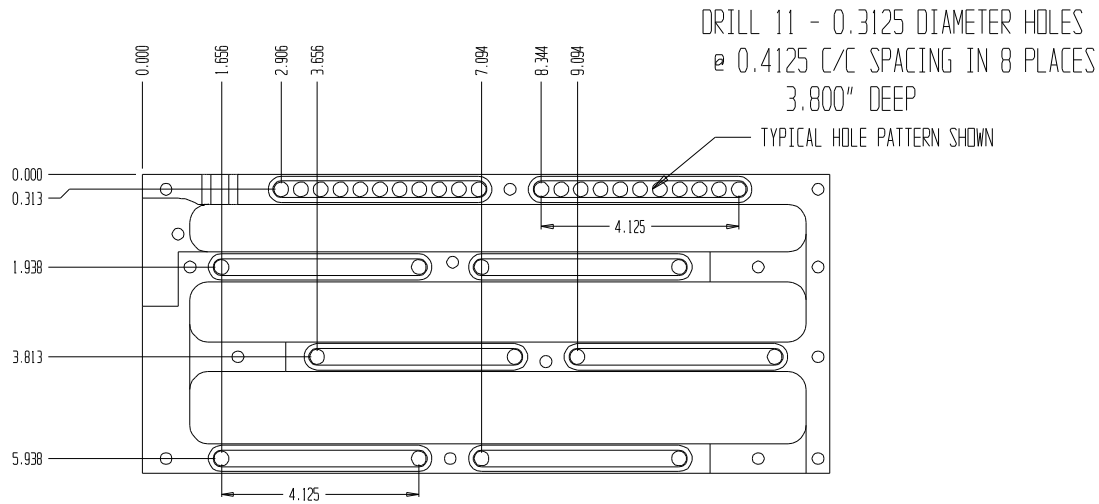


THIRD ANGLE PROJECTION

APPROVALS	DATE
DRAWN: DHK	JAN' 2002
APPROVED: *	*
DESIGNER: AC	OCT' 1994

ITEM	DWG NO.	TITLE	QTY
*	*	*	*
<i>Allen Caggiano</i>		TITLE: LB- WALL CAVITIES & BUTTERFLY HOLES	
DO NOT SCALE DRAWING	SCALE: *	SIZE: B	REV *
		DWG NO. 2071-003-F	

REV	DESCRIPTION	DATE	BY
*	*	*	*



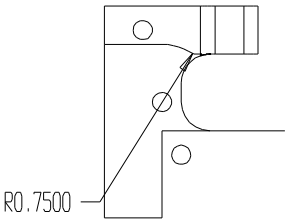
IMPORTANT NOTICE; ALL HOLES FOR THE LIQUID CAVITIES, TO BE DRILLED 3.850" MAX. DEPTH

NOTE; THIS DRAWING IS PROTECTED BY US PATENT # 5,782,225

ITEM	DWG NO.	TITLE	QTY
*	*	*	*

FRACTIONS ± 1/16 DECIMALS .X ± .030 .XX ± .010 .XXX ± .005 ANGLES ± 1°	MATL TYPE: *	APPROVALS	DATE	<i>Allen Caggiano</i>	TITLE:		
	MATL SIZE: *	DRAWN: DHK	JAN' 2002		LB- LIQUID THRU CAVATIES		
ALL DIMENSIONS IN INCHES UNLESS OTHERWISE SPECIFIED	 THIRD ANGLE PROJECTION	APPROVED: * *	DESIGNER: AC	DO NOT SCALE DRAWING	SCALE: *	SIZE: B	DWG NO. 2071-004-F

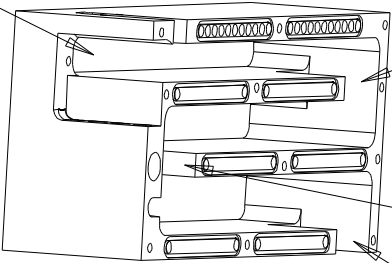
REV	DESCRIPTION	DATE	BY
*	*	*	*



INLET BUTTERFLY

RADIUS FOR INLET BUTTERFLY

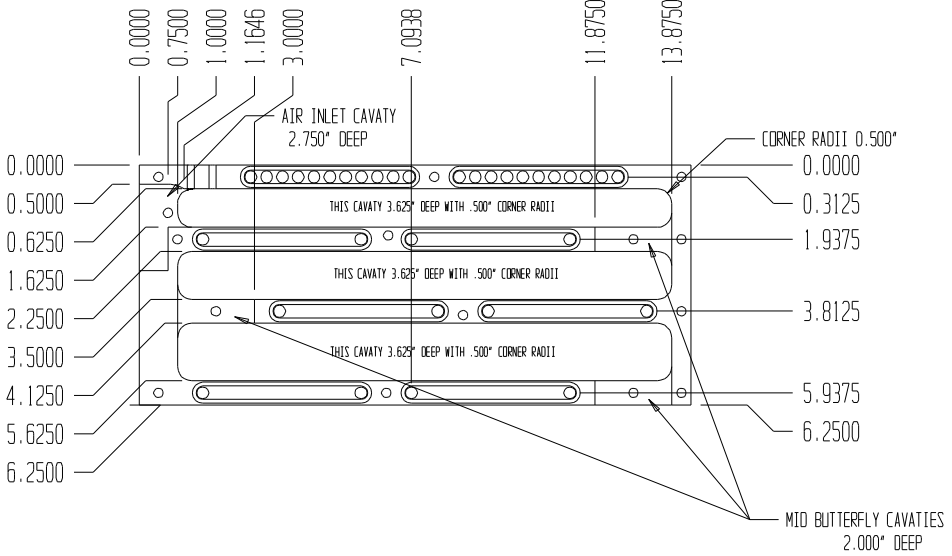
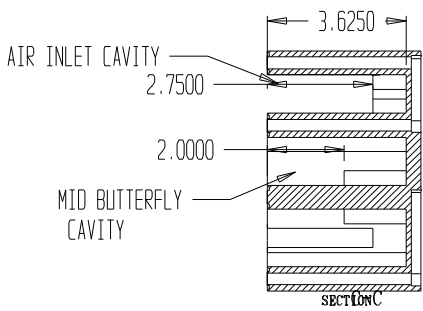
SCALE = 2:1



MID UPPER BUTTERFLY

MID LOWER BUTTERFLY

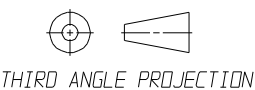
OUTLET BUTTERFLY



NOTE; THIS DRAWING IS PROTECTED BY
US PATENT # 5,782,225

FRACTIONS ± 1/16
DECIMALS
.X ± .030
.XX ± .010
.XXX ± .005
ANGLES ± 1°

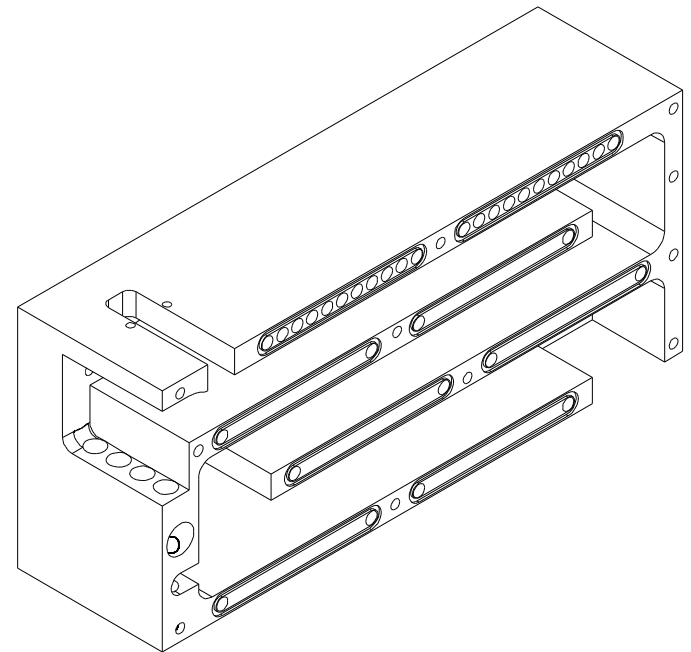
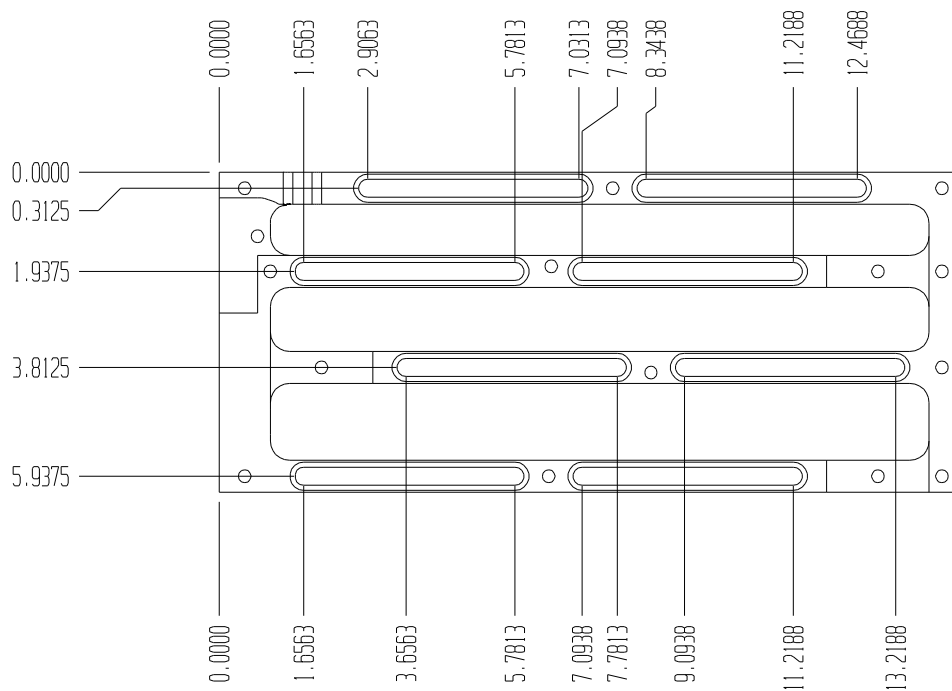
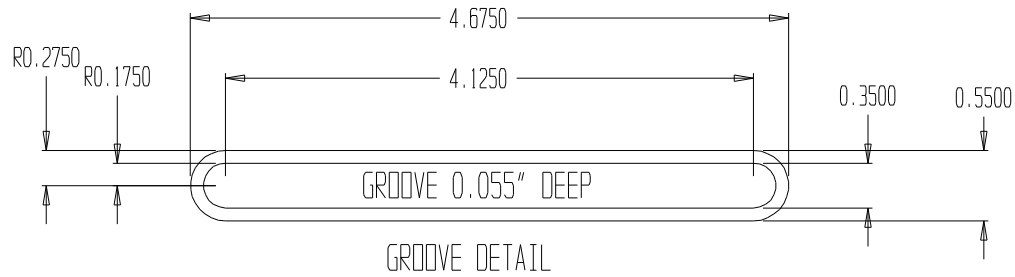
MATL TYPE: *
MATL SIZE: *
ALL DIMENSIONS IN INCHES UNLESS OTHERWISE SPECIFIED



APPROVALS
DATE
DRAWN: DHK JAN' 2002
APPROVED: * *
DESIGNER: AC OCT' 1994

ITEM	DWG NO.	TITLE	QTY
Allen Caggiano		TITLE: LB- AIR FLOW CAVITIES	
		DWG NO. 2071-005-F	

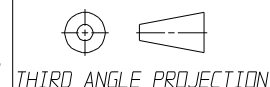
REV	DESCRIPTION	DATE	BY
*	*	*	*



NOTE; THIS DRAWING IS PROTECTED BY
US PATENT # 5,782,225

FRACTIONS $\pm 1/16$
DECIMALS
.X $\pm .030$
.XX $\pm .010$
.XXX $\pm .005$
ANGLES $\pm 1^\circ$

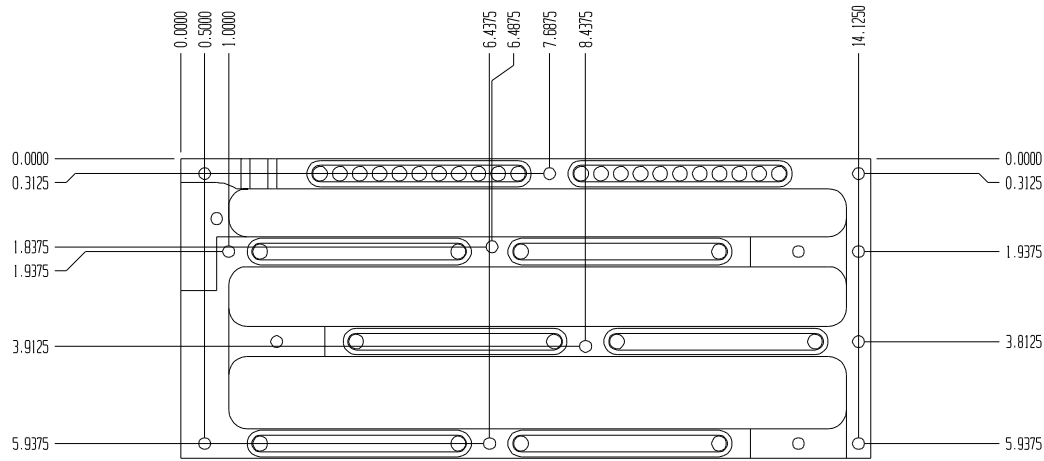
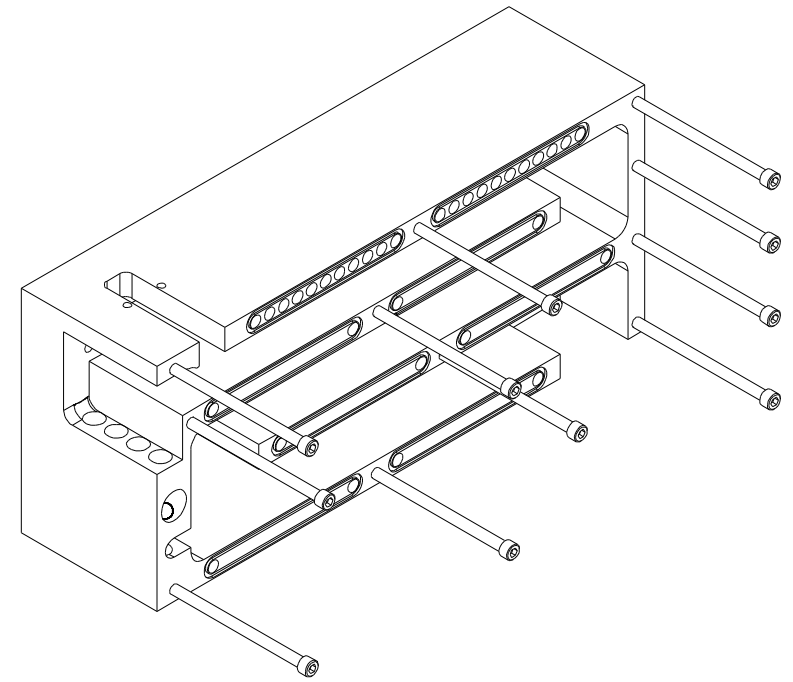
MATL TYPE: *
MATL SIZE: *
ALL DIMENSIONS IN
INCHES UNLESS
OTHERWISE SPECIFIED



APPROVALS
DATE
DRAWN: DHK JAN' 2002
APPROVED: * *
DESIGNER: AC OCT' 1994

ITEM	DWG NO.	TITLE	QTY
* * *			
Allen Caggiano		TITLE: LB- O-RING GROOVES	
DO NOT SCALE DRAWING	SCALE: *	SIZE: B	DWG NO. 2071-006-F

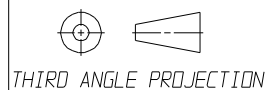
REV	DESCRIPTION	DATE	BY
*	*	*	*



NOTE; THIS DRAWING IS PROTECTED BY
US PATENT # 5,782,225

FRACTIONS $\pm 1/16$
DECIMALS
.X $\pm .030$
.XX $\pm .010$
.XXX $\pm .005$
ANGLES $\pm 1^\circ$

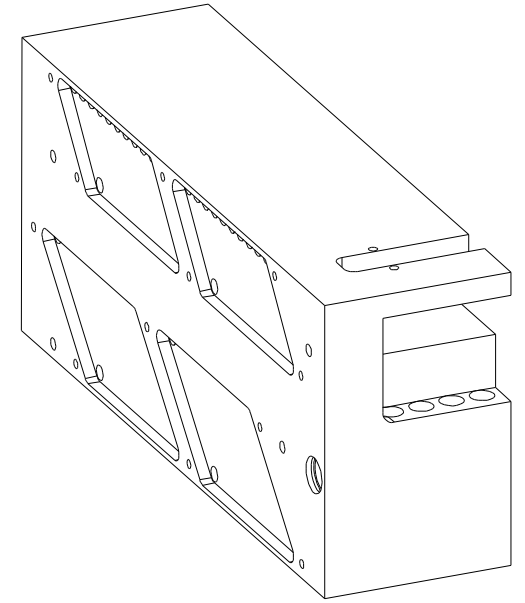
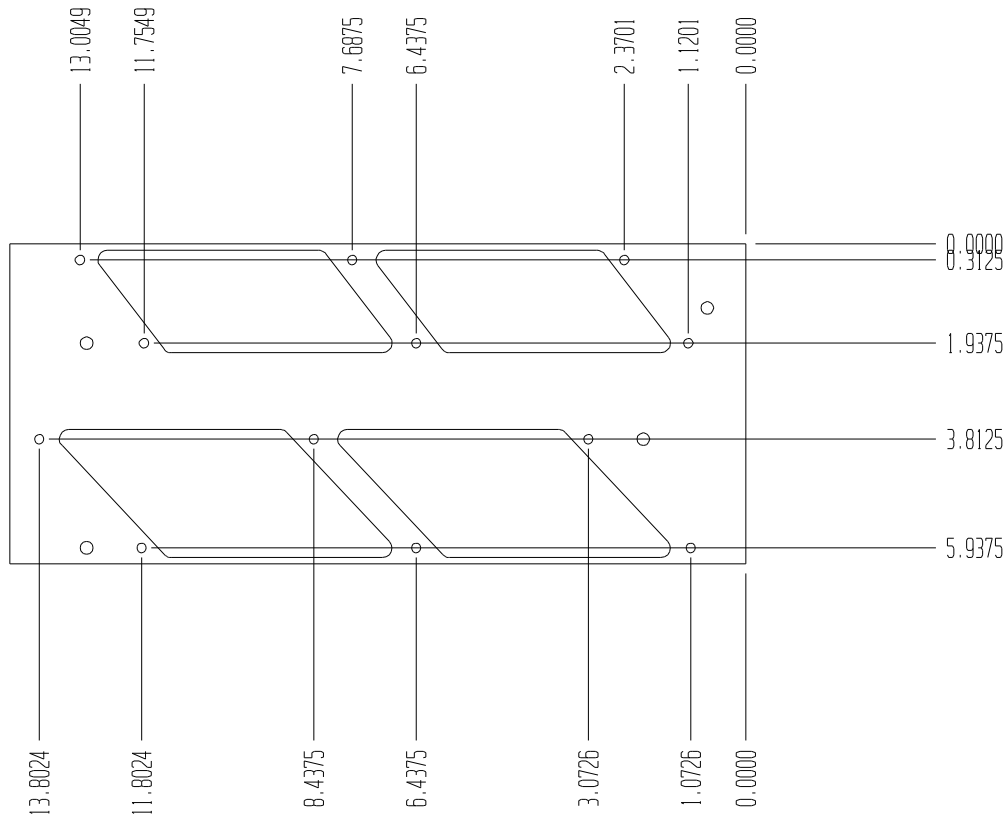
MATL TYPE: *
MATL SIZE: *
ALL DIMENSIONS IN
INCHES UNLESS
OTHERWISE SPECIFIED



APPROVALS
DATE
DRAWN: DHK JAN' 2002
APPROVED: * *
DESIGNER: AC OCT' 1994

ITEM	DWG NO.	TITLE	QTY
*	*	*	*
Allen Caggiano		TITLE: LB- ASSEMBLY BOLT PATTERN	REV
DO NOT SCALE DRAWING	SCALE: *	SIZE: B	REV *
		DWG NO. 2071-007-F	

REV	DESCRIPTION	DATE	BY
*	*	*	*

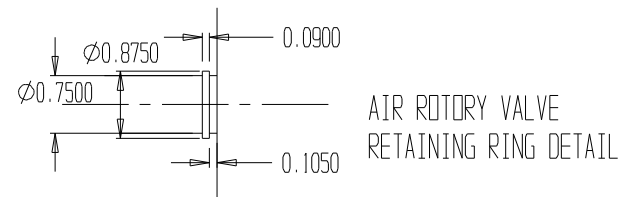
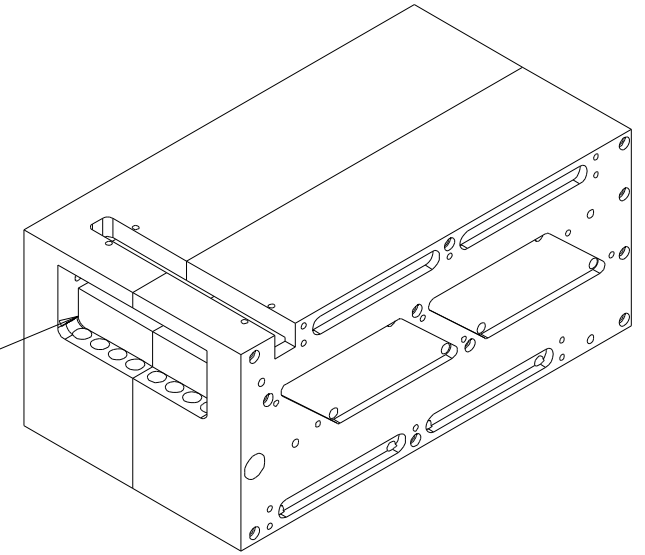
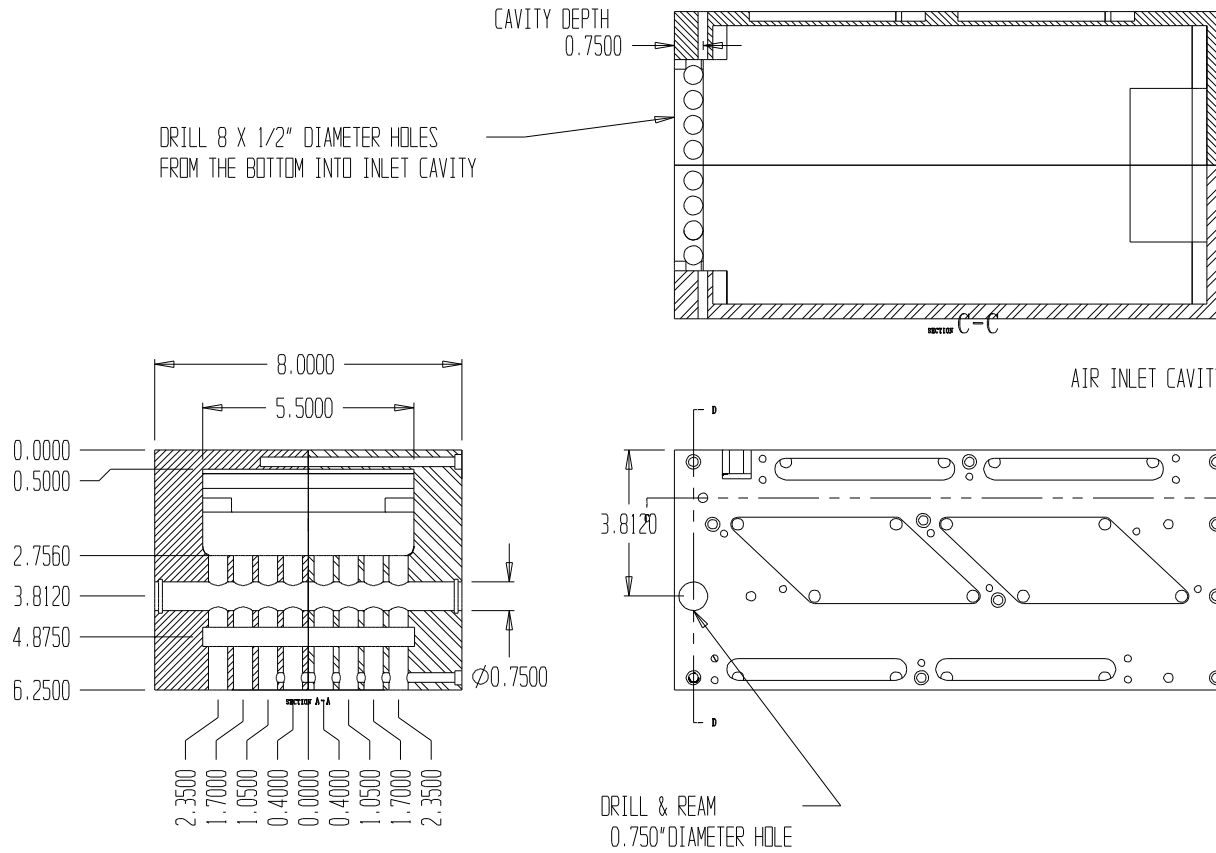


NOTE; THIS DRAWING IS PROTECTED BY
US PATENT # 5,782,225

ITEM	DWG NO.	TITLE	QTY
*	*	*	*
<i>Allen Caggiano</i>		TITLE: LB- CAVITY BOLT HOLES	
DO NOT SCALE DRAWING	SCALE: *	SIZE: B	DWG NO. 2071-008-F

FRACTIONS $\pm 1/16$ DECIMALS .X $\pm .030$.XX $\pm .010$.XXX $\pm .005$ ANGLES $\pm 1^\circ$	MATL TYPE: *	APPROVALS	DATE
	MATL SIZE: *	DRAWN: DHK	JAN' 2002
ALL DIMENSIONS IN INCHES UNLESS OTHERWISE SPECIFIED	 THIRD ANGLE PROJECTION	APPROVED: *	*
		DESIGNER: AC	OCT' 1994

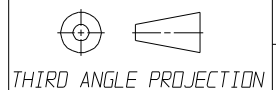
REV	DESCRIPTION	DATE	BY
*	*	*	*



NOTE; THIS DRAWING IS PROTECTED BY
US PATENT # 5,782,225

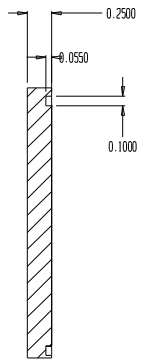
FRACTIONS	± 1/16
DECIMALS	
.X	± .030
.XX	± .010
.XXX	± .005
ANGLES	± 1°

MATL TYPE: *	APPROVALS	DATE
MATL SIZE: *	DRAWN: DHK	JAN' 2002
ALL DIMENSIONS IN INCHES UNLESS OTHERWISE SPECIFIED	APPROVED: *	*
	DESIGNER: AC	OCT' 1994



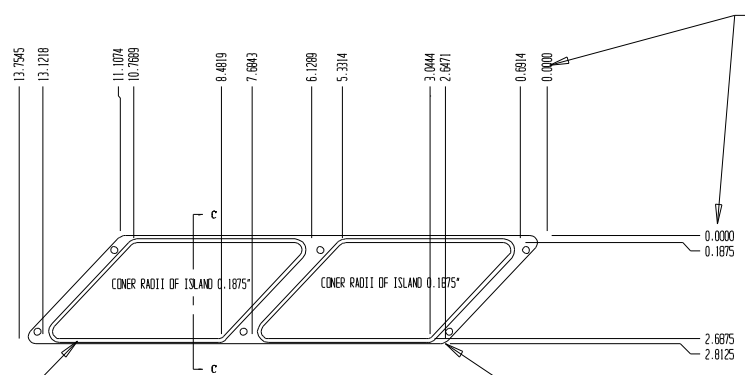
ITEM	DWG NO.	TITLE	QTY
<i>Allen Caggiano</i>		TITLE: LB- AIR INLET CAVATY AND AIR RAM HOLES	
		DWG NO. 2071-008A-F	
DO NOT SCALE DRAWING	SCALE: *	SIZE: B	

REV	DESCRIPTION	DATE	BY
*	*	*	*

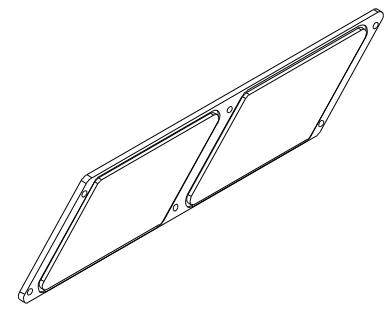


SECTION A-A
SCALE: 2.5:1

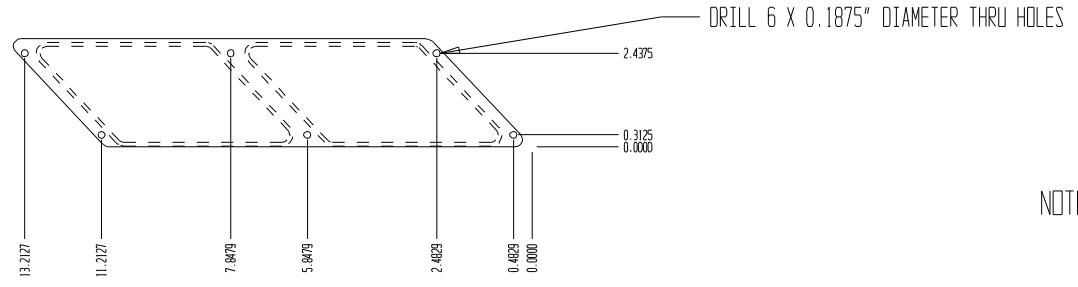
O-RING GROOVE 0.100"W X 0.055"D



THIS ROW OF DIMENTIONS REFER TO THE INTERSECTION POINTS OF THE OUTSIDE PROFILE AND THE I.P. OF THE INSIDE WALL OF THE O-RING GROOVE



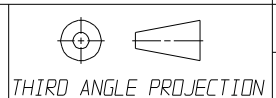
CONER RADII ON OUTSIDE PROFILE 0.1875"



NOTE; THIS DRAWING IS PROTECTED BY
US PATENT # 5,782,225

FRACTIONS ± 1/16
DECIMALS
.X ± .030
.XX ± .010
.XXX ± .005
ANGLES ± 1°

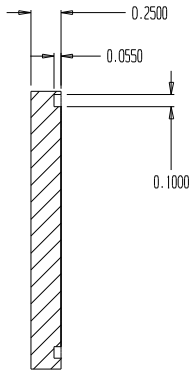
MATL TYPE: *
MATL SIZE: *
ALL DIMENSIONS IN INCHES UNLESS OTHERWISE SPECIFIED



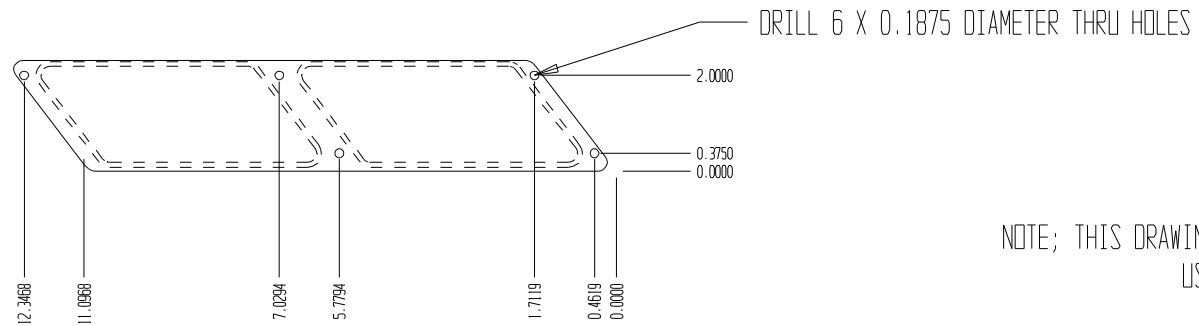
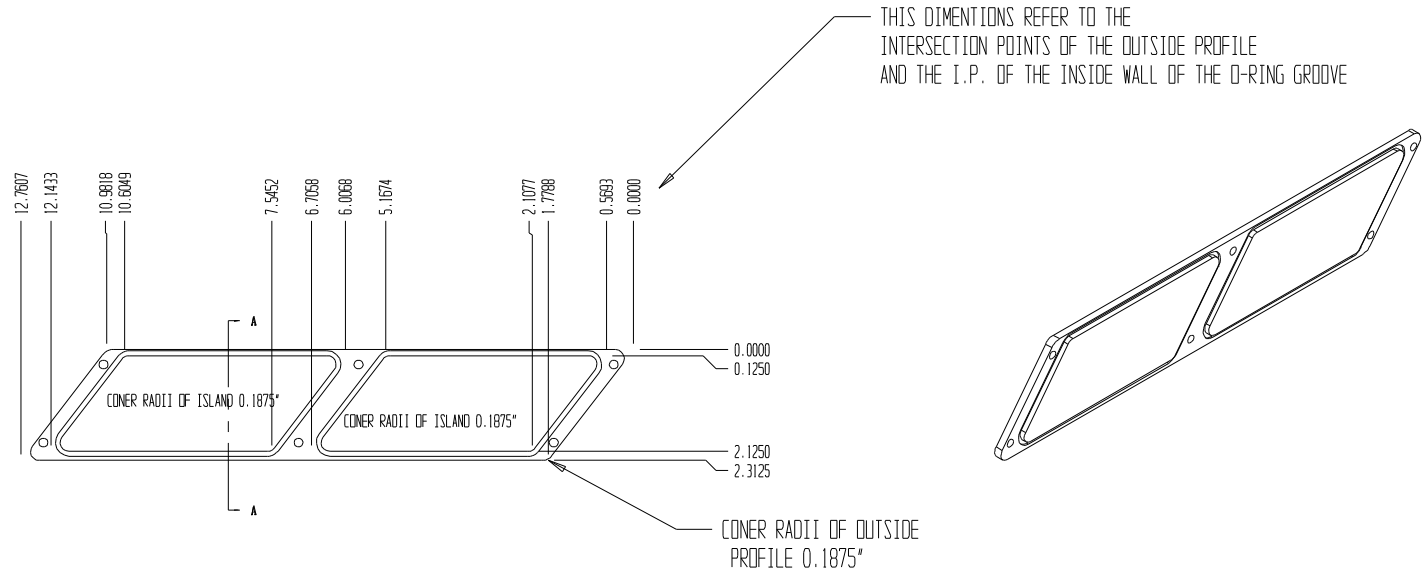
APPROVALS
DATE
DRAWN: DHK JAN' 2002
APPROVED: * *
DESIGNER: AC OCT' 1994

ITEM	DWG NO.	TITLE	QTY
<i>Allen Caggiano</i>		TITLE: LB- LOWER LIQUID COVER PLATE	
DO NOT SCALE DRAWING	SCALE: *	SIZE: B	2071-009-F

REV	DESCRIPTION	DATE	BY
*	*	*	*



SECTION B-B
SCALE= 2.5:1

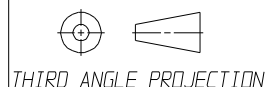


NOTE; THIS DRAWING IS PROTECTED BY
US PATENT # 5,782,225

ITEM	DWG NO.	TITLE	QTY
*	*	*	*
<i>Allen Caggiano</i>		TITLE: LB- UPPER LIQUID COVER PLATE	
		2071-010-F	
DO NOT SCALE DRAWING	SCALE: *	SIZE: B	

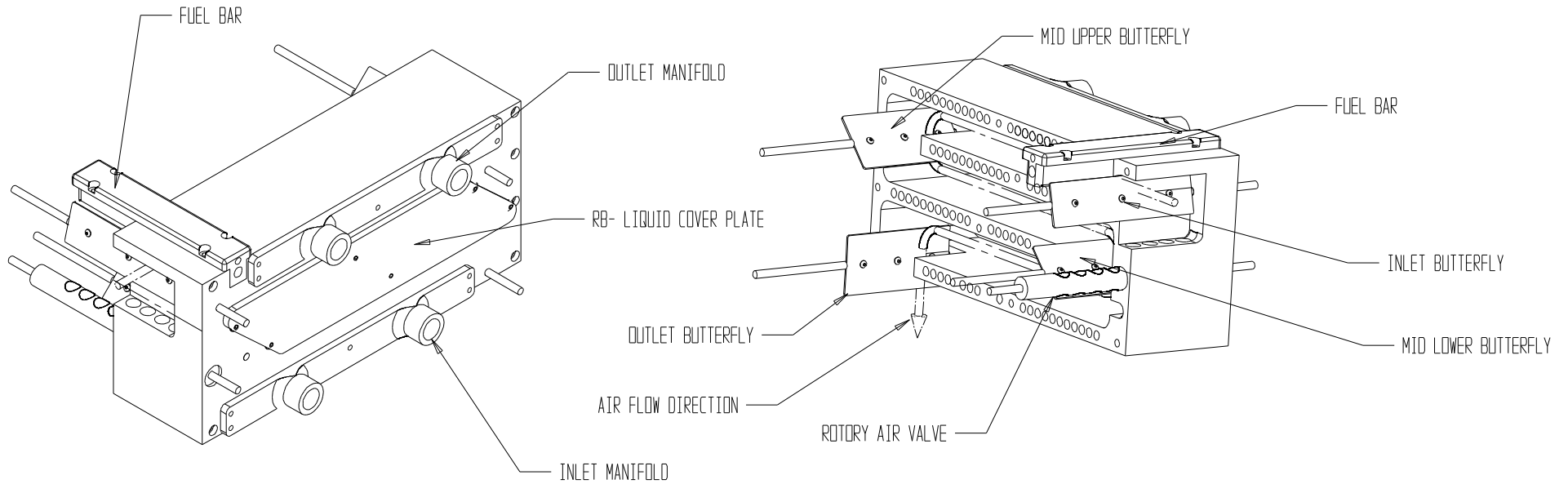
FRACTIONS ± 1/16
DECIMALS ± .030
.X ± .010
.XX ± .005
.XXX ± 1°
ANGLES ± 1°

MATL TYPE: *
MATL SIZE: *
ALL DIMENSIONS IN INCHES UNLESS OTHERWISE SPECIFIED



APPROVALS
DATE
DRAWN: DHK JAN' 2002
APPROVED: * *
DESIGNER: AC OCT' 1994

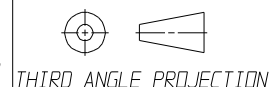
REV	DESCRIPTION	DATE	BY
*	*	*	*



NOTE; THIS DRAWING IS PROTECTED BY
US PATENT # 5,782,225

FRACTIONS $\pm 1/16$
DECIMALS
.X $\pm .030$
.XX $\pm .010$
.XXX $\pm .005$
ANGLES $\pm 1^\circ$

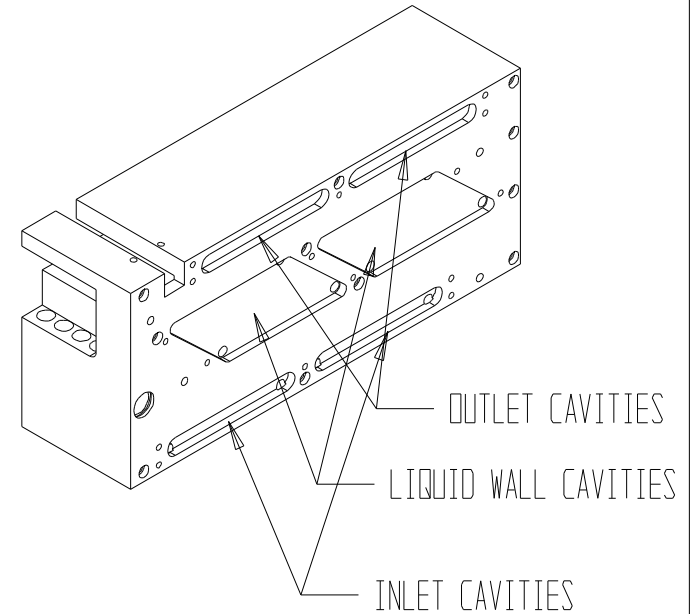
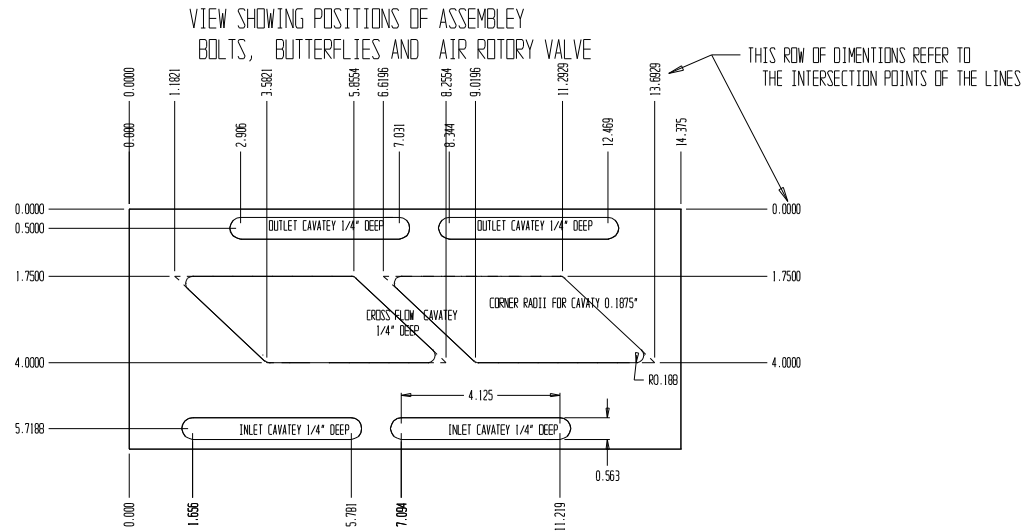
MATL TYPE: *
MATL SIZE: *
ALL DIMENSIONS IN
INCHES UNLESS
OTHERWISE SPECIFIED



APPROVALS
DATE
DRAWN: DHK JAN' 2002
APPROVED: * *
DESIGNER: AC OCT' 1994

ITEM	DWG NO.	TITLE	QTY
*	*	*	*
Allen Caggiano		TITLE: RB- GENERAL ARRANGEMENT	
DO NOT SCALE DRAWING	SCALE: *	SIZE: B	REV *
		DWG NO. 2071-011-F	

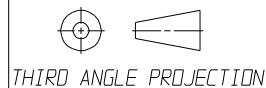
REV	DESCRIPTION	DATE	BY
*	*	*	*



NOTE; THIS DRAWING IS PROTECTED BY US PATENT # 5,782,225

FRACTIONS $\pm 1/16$
 DECIMALS
 .X $\pm .030$
 .XX $\pm .010$
 .XXX $\pm .005$
 ANGLES $\pm 1^\circ$

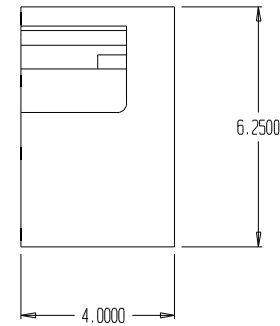
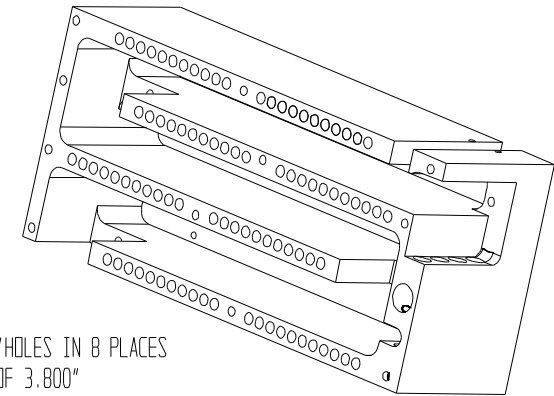
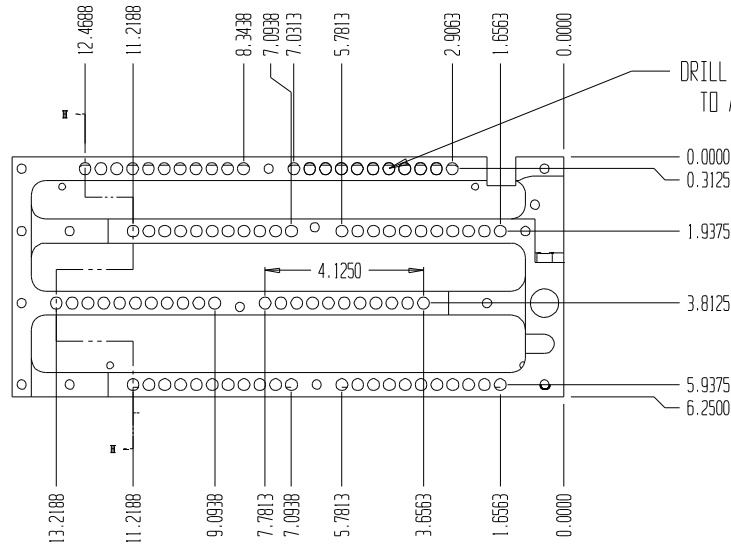
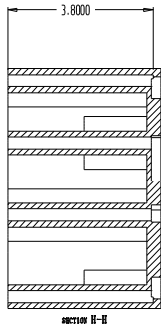
MATL TYPE: *
 MATL SIZE: *
 ALL DIMENSIONS IN INCHES UNLESS OTHERWISE SPECIFIED



APPROVALS
 DATE
 DRAWN: DHK JAN' 2002
 APPROVED: * *
 DESIGNER: AC OCT' 1994

ITEM	DWG NO.	TITLE	QTY
*	*	*	*
<i>Allen Caggiano</i>		TITLE: RB- WALL CAVATIES	
DO NOT SCALE DRAWING	SCALE: *	SIZE: B	2071-012-F

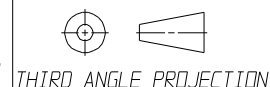
REV	DESCRIPTION	DATE	BY
*	*	*	*



NOTE; THIS DRAWING IS PROTECTED BY
US PATENT # 5,782,225

FRACTIONS ± 1/16
DECIMALS
.X ± .030
.XX ± .010
.XXX ± .005
ANGLES ± 1°

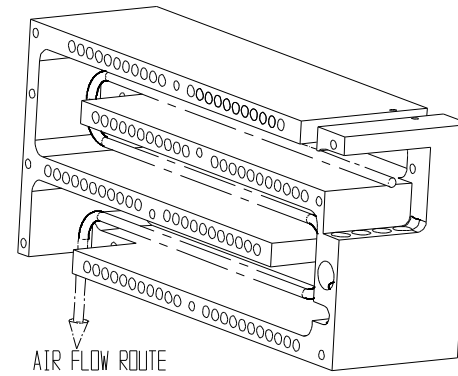
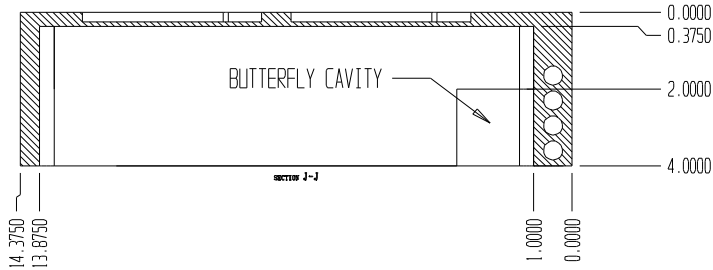
MATL TYPE: *
MATL SIZE: *
ALL DIMENSIONS IN INCHES UNLESS OTHERWISE SPECIFIED



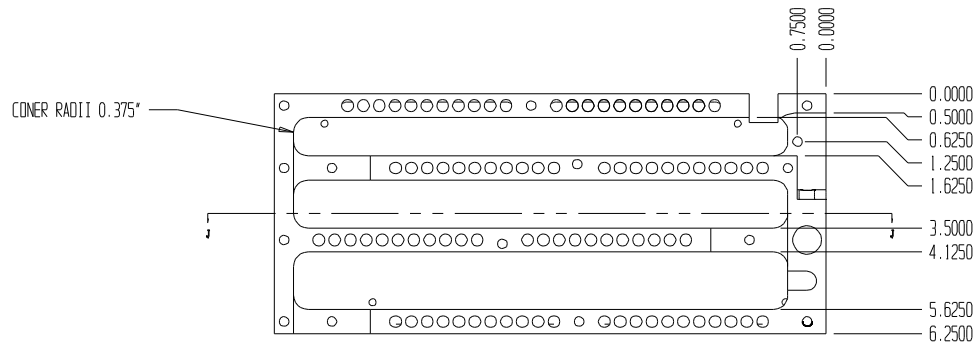
APPROVALS
DATE
DRAWN: DHK JAN' 2002
APPROVED: * *
DESIGNER: AC OCT' 1994

ITEM	DWG NO.	TITLE	QTY
*	*	*	*
Allen Caggiano		TITLE: RB- LIQUID THRU CAVITIES	
DO NOT SCALE DRAWING	SCALE: *	SIZE: B	REV *
		DWG NO. 2071-013-F	

REV	DESCRIPTION	DATE	BY
*	*	*	*



VIEW #586

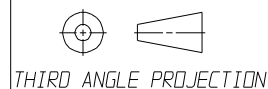


NOTE; THIS DRAWING IS PROTECTED BY
US PATENT # 5,782,225

ITEM	DWG NO.	TITLE	QTY
*	*	*	*
<i>Allen Caggiano</i>		TITLE: RB- AIR FLOW CAVITIES	
DO NOT SCALE DRAWING	SCALE: *	SIZE: B	DWG NO. 2071-014-F
			REV *

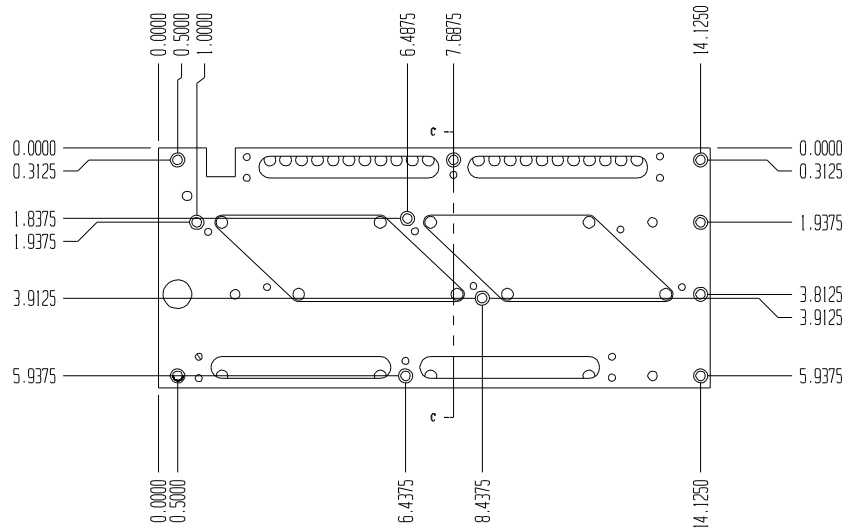
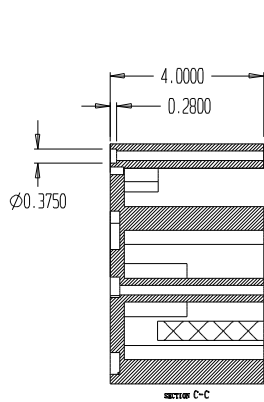
FRACTIONS $\pm 1/16$
DECIMALS
.X $\pm .030$
.XX $\pm .010$
.XXX $\pm .005$
ANGLES $\pm 1^\circ$

MATL TYPE: *
MATL SIZE: *
ALL DIMENSIONS IN INCHES UNLESS OTHERWISE SPECIFIED

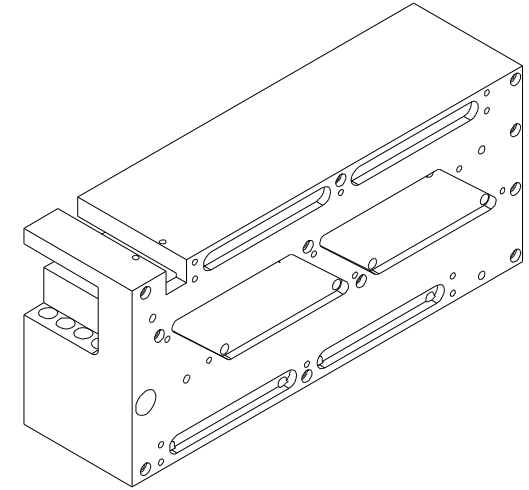


APPROVALS
DATE
DRAWN: DHK JAN' 2002
APPROVED: * *
DESIGNER: AC OCT' 1994

REV	DESCRIPTION	DATE	BY
*	*	*	*



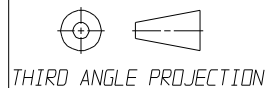
NOTE; COUNTER BORE ALL THE HOLES
0.375" X 0.280" DEEP



NOTE; THIS DRAWING IS PROTECTED BY
US PATENT # 5,782,225

FRACTIONS ± 1/16
DECIMALS
.X ± .030
.XX ± .010
.XXX ± .005
ANGLES ± 1°

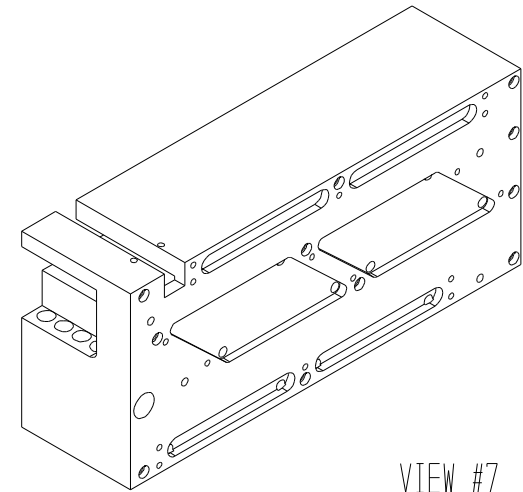
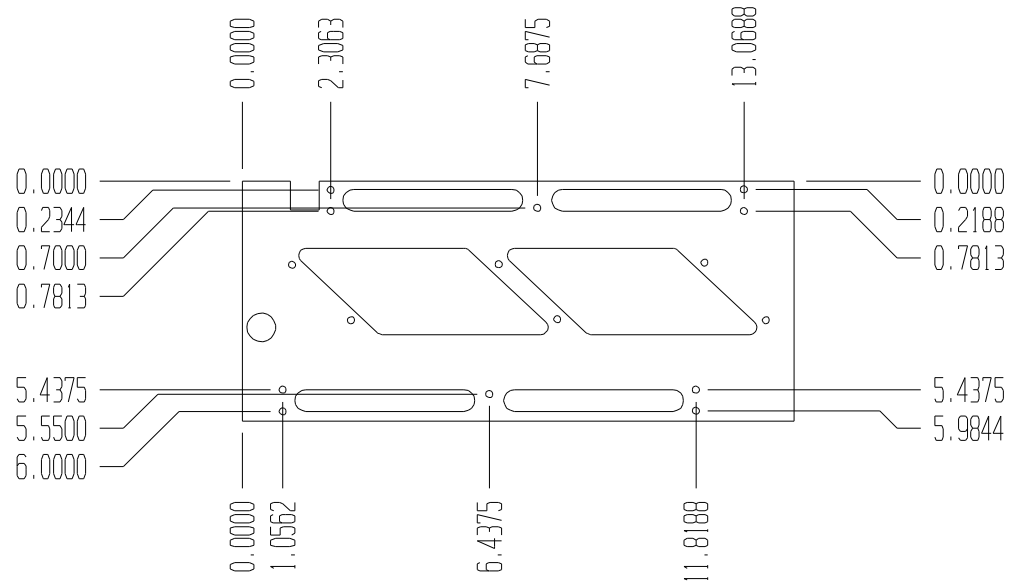
MATL TYPE: *
MATL SIZE: *
ALL DIMENSIONS IN
INCHES UNLESS
OTHERWISE SPECIFIED



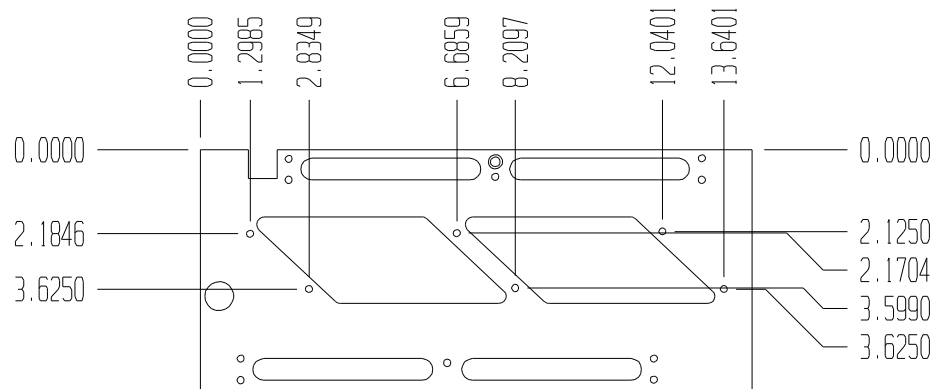
APPROVALS
DATE
DRAWN: DHK JAN' 2002
APPROVED: * *
DESIGNER: AC OCT' 1994

ITEM	DWG NO.	TITLE	QTY
*	*	*	*
<p>DO NOT SCALE DRAWING</p>		<p>SCALE: *</p>	<p>SIZE: B</p>
<p>Allen Caggiano</p>			<p>TITLE: RB- ASSEMBLY BOLT HOLES</p>
<p>2071-015-F</p>			<p>REV *</p>

REV	DESCRIPTION	DATE	BY
*	*	*	*



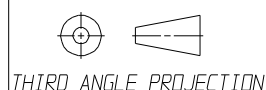
VIEW #7



NOTE; THIS DRAWING IS PROTECTED BY
US PATENT # 5,782,225

FRACTIONS $\pm 1/16$
DECIMALS
.X $\pm .030$
.XX $\pm .010$
.XXX $\pm .005$
ANGLES $\pm 1^\circ$

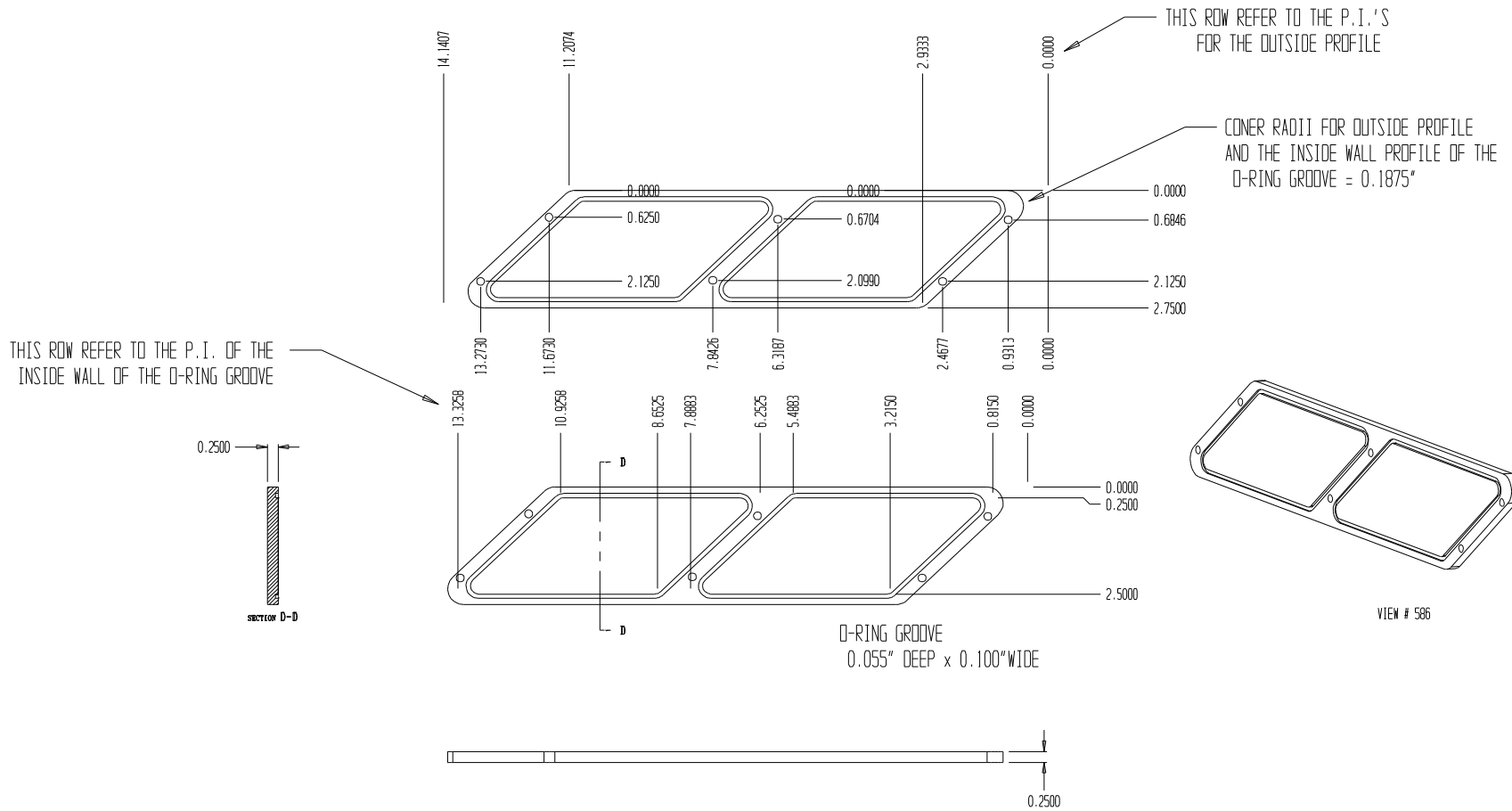
MATL TYPE: *
MATL SIZE: *
ALL DIMENSIONS IN
INCHES UNLESS
OTHERWISE SPECIFIED



APPROVALS
DRAWN: DHK
APPROVED: * *
DESIGNER: AC
DATE
JAN' 2002
OCT' 1994

ITEM	DWG NO.	TITLE	QTY
Allen Caggiano		TITLE: RB- IN/OUTLET & WALL CAVITY BOLT HOLES	
DO NOT SCALE DRAWING	SCALE: *	SIZE: B	REV *
		DWG NO. 2071-016-F	

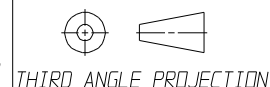
REV	DESCRIPTION	DATE	BY
*	*	*	*



NOTE; THIS DRAWING IS PROTECTED BY
US PATENT # 5,782,225

FRACTIONS $\pm 1/16$
DECIMALS
.X $\pm .030$
.XX $\pm .010$
.XXX $\pm .005$
ANGLES $\pm 1^\circ$

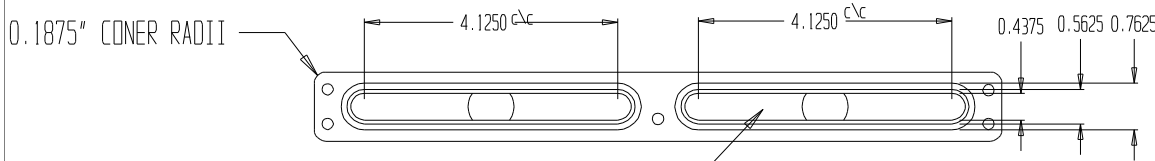
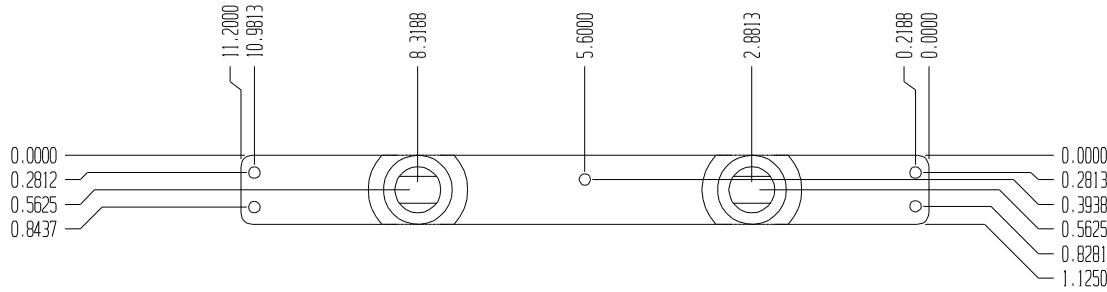
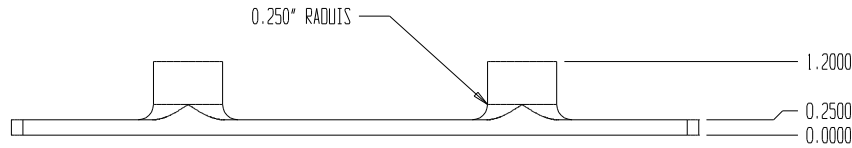
MATL TYPE: *
MATL SIZE: *
ALL DIMENSIONS IN
INCHES UNLESS
OTHERWISE SPECIFIED



APPROVALS
DATE
DRAWN: DHK JAN' 2002
APPROVED: * *
DESIGNER: AC OCT' 1994

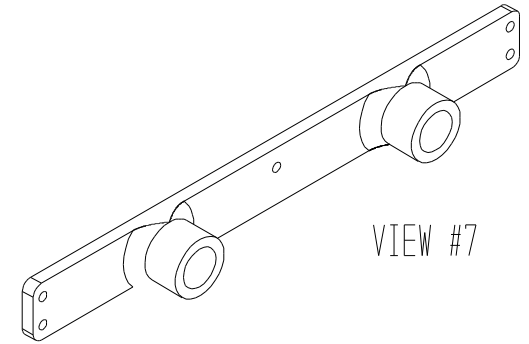
ITEM	DWG NO.	TITLE	QTY
*	*	*	*
Allen Caggiano		TITLE: RB- CAVATY COVER PLATE	
DO NOT SCALE DRAWING	SCALE: *	SIZE: B	REV *
		DWG NO. 2071-016A-F	

REV	DESCRIPTION	DATE	BY
*	*	*	*

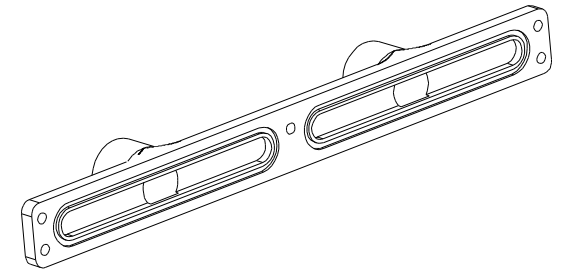


INSIDE SLOT 0.1450" DEEP

NOTE; FOR SLOT DETAIL SEE OUTLET MANIFOLD DRAWING #2071-018



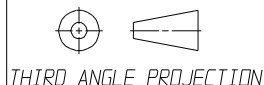
VIEW #7



NOTE; THIS DRAWING IS PROTECTED BY
US PATENT # 5,782,225

FRACTIONS ± 1/16
DECIMALS
.X ± .030
.XX ± .010
.XXX ± .005
ANGLES ± 1°

MATL TYPE: *
MATL SIZE: *
ALL DIMENSIONS IN INCHES UNLESS OTHERWISE SPECIFIED

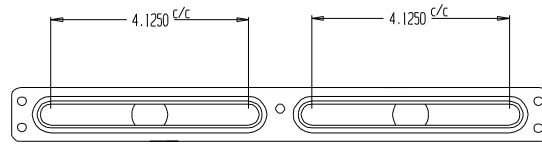
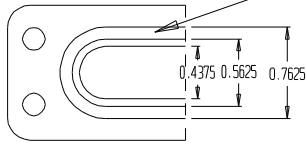


APPROVALS
DATE
DRAWN: DHK JAN' 2002
APPROVED: * *
DESIGNER: AC OCT' 1994

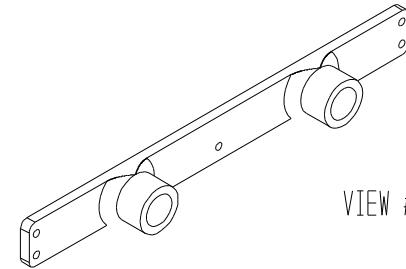
ITEM	DWG NO.	TITLE	QTY
* * *			
Allen Caggiano		TITLE: RB INLET MANIFOLD	
DO NOT SCALE DRAWING	SCALE: *	SIZE: B	DWG NO. 2071-017-F

REV	DESCRIPTION	DATE	BY
*	*	*	*

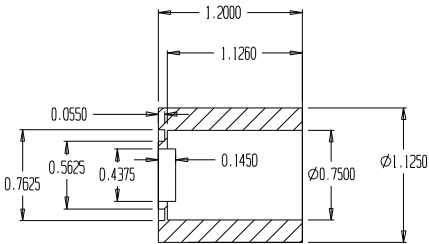
O-RING GROOVE 0.100" W X 0.055" DEEP



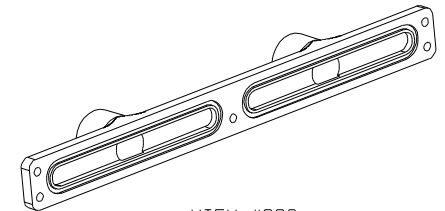
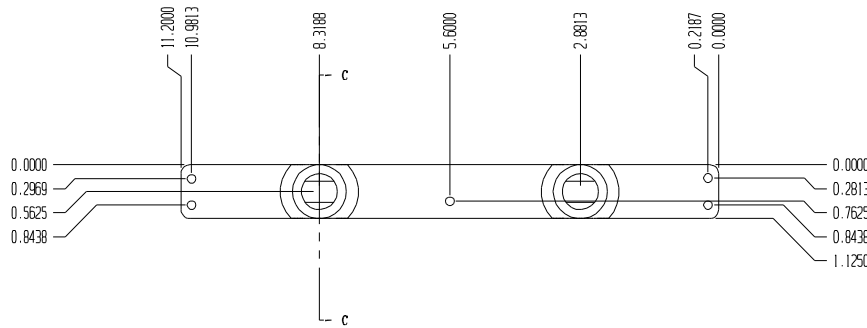
0.1875 CORNER RADII



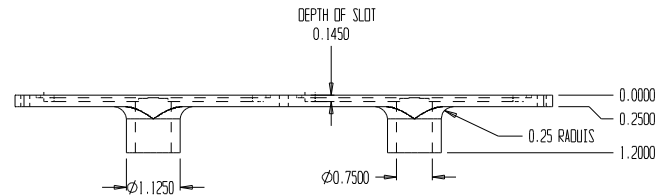
VIEW #7



SECTION C-C



VIEW #692

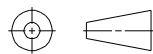


NOTE; THIS DRAWING IS PROTECTED BY
US PATENT # 5,782,225

ITEM	DWG NO.	TITLE	QTY
*	*	*	*
<p>Allen Caggiano</p>		TITLE:	RB OUTLET MANIFOLD
DO NOT SCALE DRAWING	SCALE: *	SIZE: B	DWG NO. 2071-018-F

FRACTIONS $\pm 1/16$
DECIMALS
.X $\pm .030$
.XX $\pm .010$
.XXX $\pm .005$
ANGLES $\pm 1^\circ$

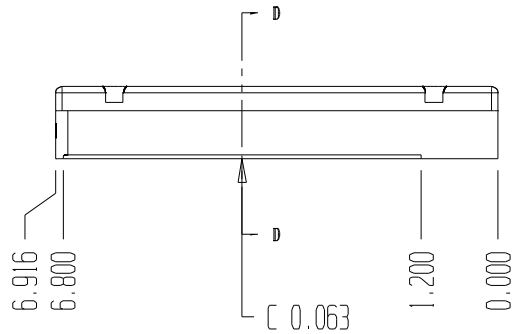
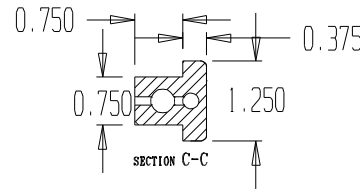
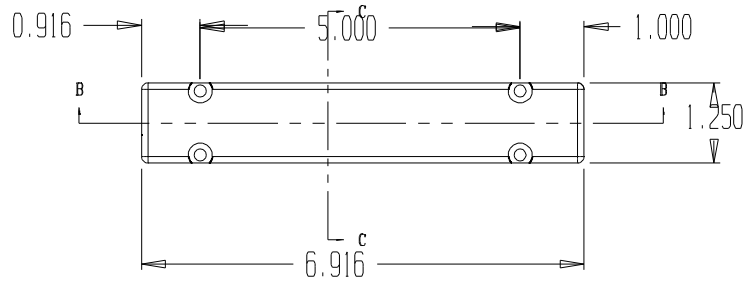
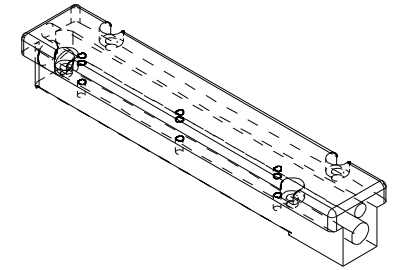
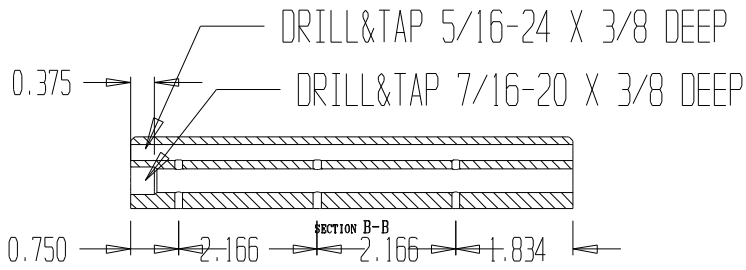
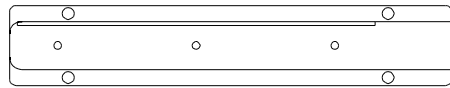
MATL TYPE: *
MATL SIZE: *
ALL DIMENSIONS IN INCHES UNLESS OTHERWISE SPECIFIED



THIRD ANGLE PROJECTION

APPROVALS
DATE
DRAWN: DHK JAN' 2002
APPROVED: * *
DESIGNER: AC OCT' 1994

REV	DESCRIPTION	DATE	BY
*	*	*	*

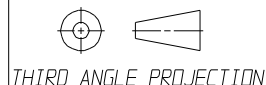


NOTE; THIS DRAWING IS PROTECTED BY
US PATENT # 5,782,225

ITEM	DWG NO.	TITLE	QTY
*	*	*	*
Allen Caggiano		TITLE: FUEL BAR	
DO NOT SCALE DRAWING	SCALE: *	SIZE: B	REV *
		DWG NO. 2071-019-F	

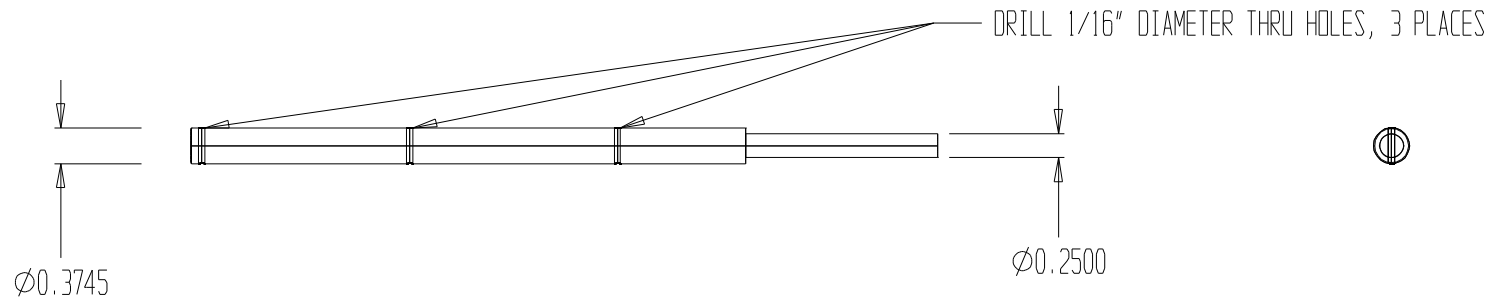
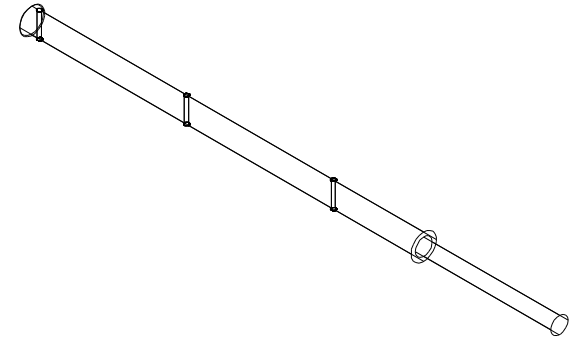
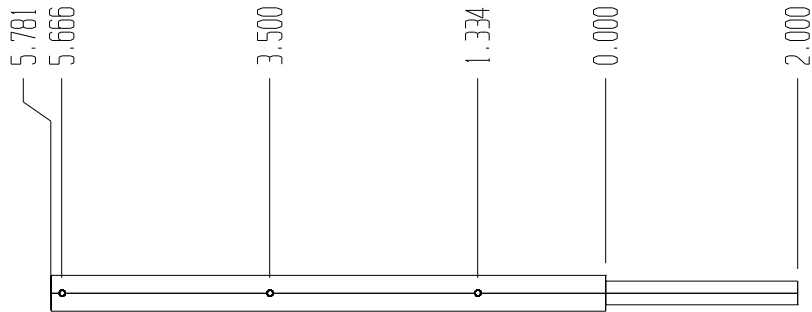
FRACTIONS ± 1/16
DECIMALS
.X ± .030
.XX ± .010
.XXX ± .005
ANGLES ± 1°

MATL TYPE: *
MATL SIZE: *
ALL DIMENSIONS IN INCHES UNLESS OTHERWISE SPECIFIED



APPROVALS
DATE
DRAWN: DHK JAN' 2002
APPROVED: * *
DESIGNER: AC OCT' 1994

REV	DESCRIPTION	DATE	BY
*	*	*	*



NOTE; THIS DRAWING IS PROTECTED BY
US PATENT # 5,782,225

*	*	0.375 GROUNDED ROD	1
ITEM	DWG NO.	TITLE	QTY
<i>Allen Caggiano</i>		TITLE:	FUEL ROTORY VALVE
		DWG NO.	2071-020-F
DO NOT SCALE DRAWING	SCALE:	SIZE:	REV
	*	B	*

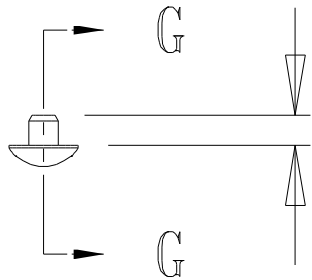
FRACTIONS $\pm 1/16$ DECIMALS .X $\pm .030$.XX $\pm .010$.XXX $\pm .005$ ANGLES $\pm 1^\circ$	MATL TYPE: *	APPROVALS	DATE
	MATL SIZE: *	DRAWN: DHK	JAN' 2002
ALL DIMENSIONS IN INCHES UNLESS OTHERWISE SPECIFIED	 THIRD ANGLE PROJECTION	APPROVED: *	*
		DESIGNER: AC	OCT' 1994

REV	DESCRIPTION	DATE	BY
*	*	*	*



0.1250

#8 SCREW



DRILL 0.010" THRU HOLE

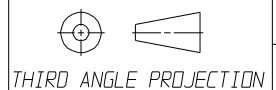
SECTION G-G



NOTE; THIS DRAWING IS PROTECTED BY
US PATENT # 5,782,225

FRACTIONS ± 1/16
DECIMALS
.X ± .030
.XX ± .010
.XXX ± .005
ANGLES ± 1°

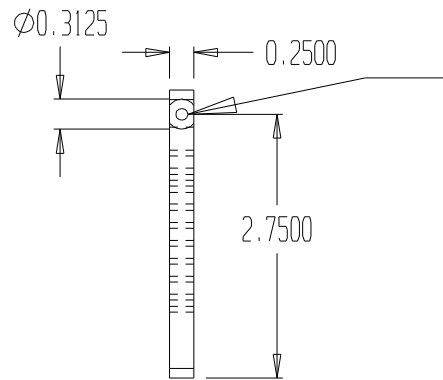
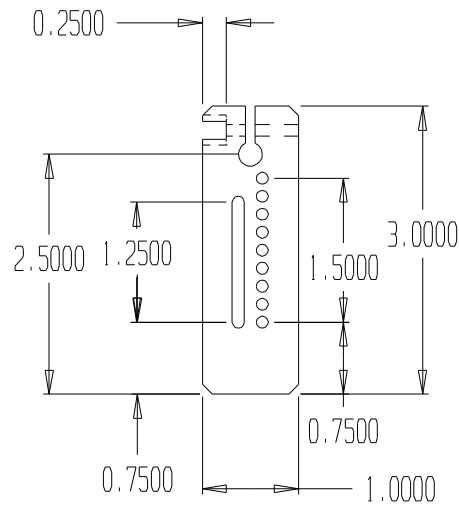
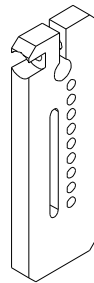
MATL TYPE: *
MATL SIZE: *
ALL DIMENSIONS IN INCHES UNLESS OTHERWISE SPECIFIED



APPROVALS
DATE
DRAWN: DHK JAN' 2002
APPROVED: * *
DESIGNER: AC OCT' 1994

ITEM	DWG NO.	TITLE	QTY
		<i>Allen Caggiano</i>	
		TITLE: FUEL NOZZLE	
DO NOT SCALE DRAWING	SCALE: *	SIZE: B	REV *
		DWG NO. 2071-021-F	

REV	DESCRIPTION	DATE	BY
*	*	*	*



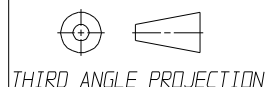
DRILL & TAP 1/8-40

NOTE; THIS DRAWING IS PROTECTED BY
US PATENT # 5,782,225

ITEM	DWG NO.	TITLE	QTY
*	*	*	*
Allen Caggiano		TITLE: LINK ARM	
DO NOT SCALE DRAWING	SCALE: *	SIZE: B	REV *
		DWG NO. 2071-022-F	

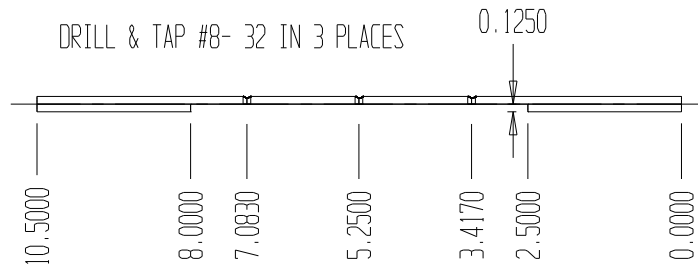
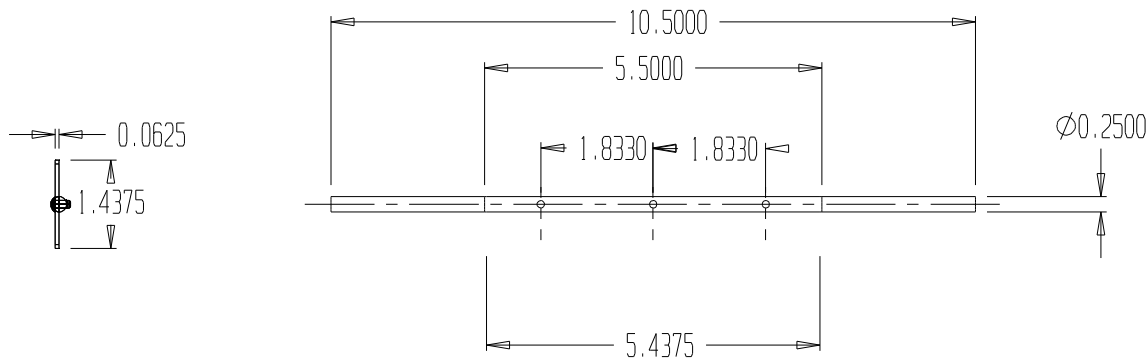
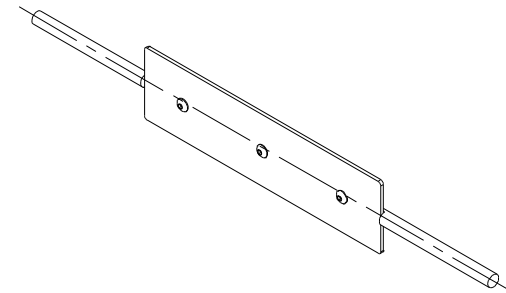
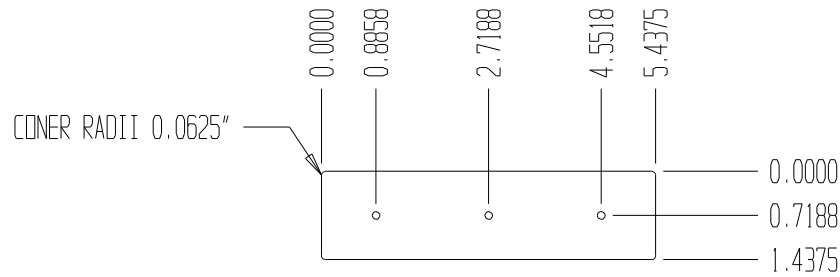
FRACTIONS ± 1/16
DECIMALS
.X ± .030
.XX ± .010
.XXX ± .005
ANGLES ± 1°

MATL TYPE: *
MATL SIZE: *
ALL DIMENSIONS IN INCHES UNLESS OTHERWISE SPECIFIED



APPROVALS
DATE
DRAWN: DHK JAN' 2002
APPROVED: * *
DESIGNER: AC OCT' 1994

REV	DESCRIPTION	DATE	BY
*	*	*	*

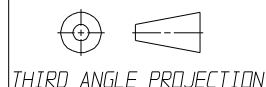


NOTE; THIS DRAWING IS PROTECTED BY
US PATENT # 5,782,225

ITEM	DWG NO.	TITLE	QTY
*	*	*	*
<i>Allen Caggiano</i>		TITLE:	INLET BUTTERFLY
DO NOT SCALE DRAWING	SCALE: *	SIZE: A	DWG NO. 2071-023-F

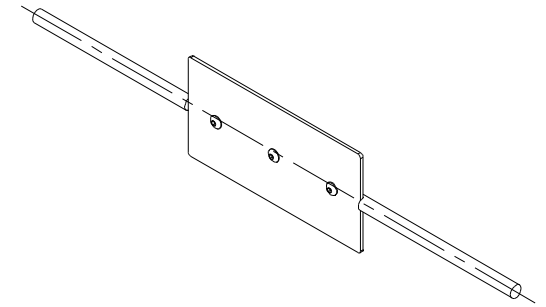
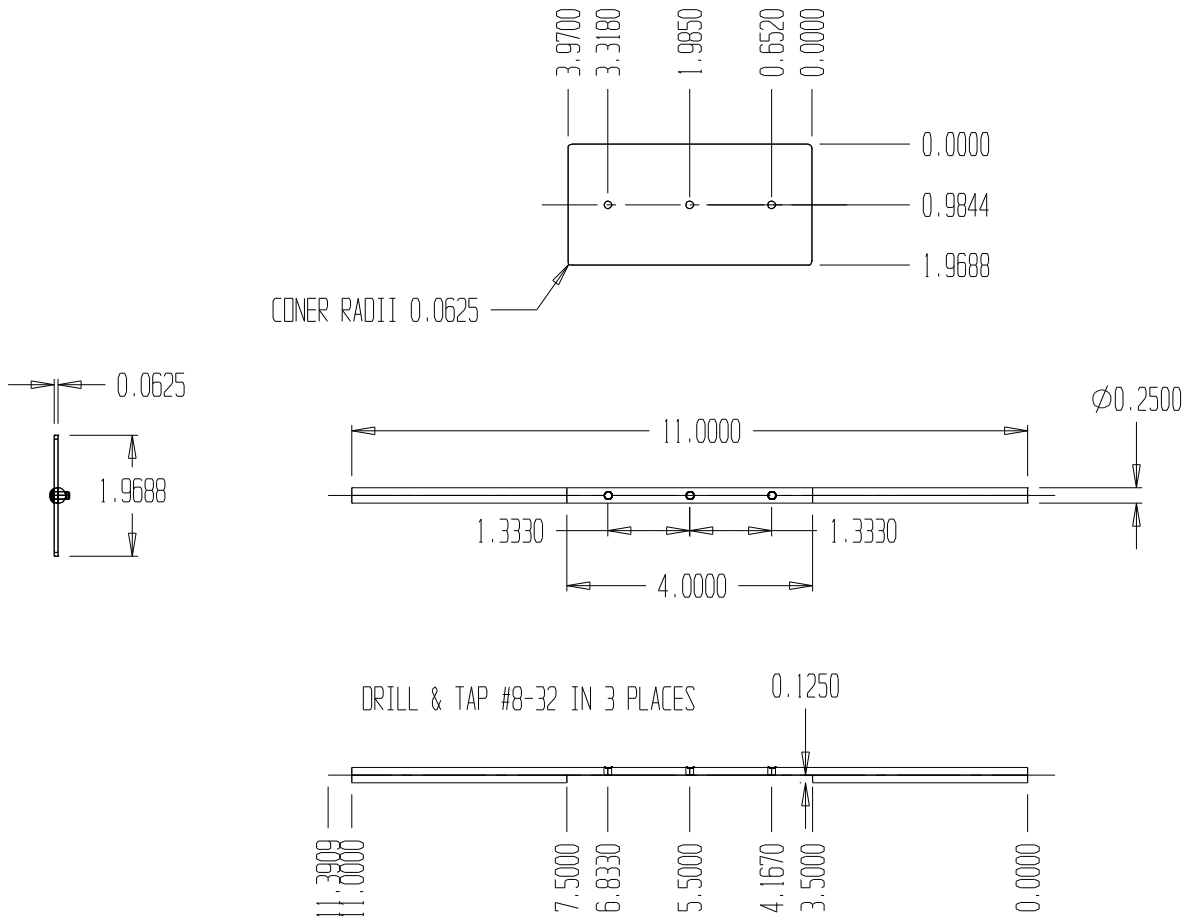
FRACTIONS ± 1/16
DECIMALS
.X ± .030
.XX ± .010
.XXX ± .005
ANGLES ± 1°

MATL TYPE: *
MATL SIZE: *
ALL DIMENSIONS IN INCHES UNLESS OTHERWISE SPECIFIED



APPROVALS
DATE
DRAWN: DHK JAN' 2002
APPROVED: * *
DESIGNER: AC OCT' 1994

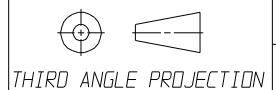
REV	DESCRIPTION	DATE	BY
*	*	*	*



NOTE; THIS DRAWING IS PROTECTED BY
US PATENT # 5,782,225

FRACTIONS $\pm 1/16$
DECIMALS
.X $\pm .030$
.XX $\pm .010$
.XXX $\pm .005$
ANGLES $\pm 1^\circ$

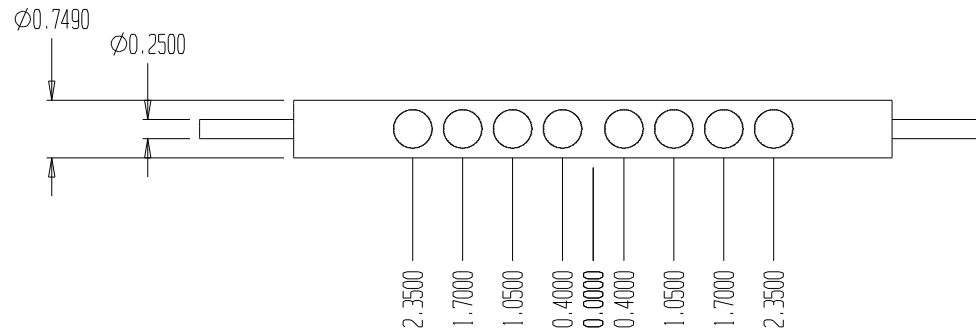
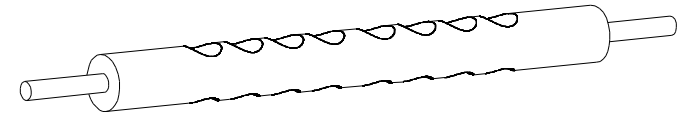
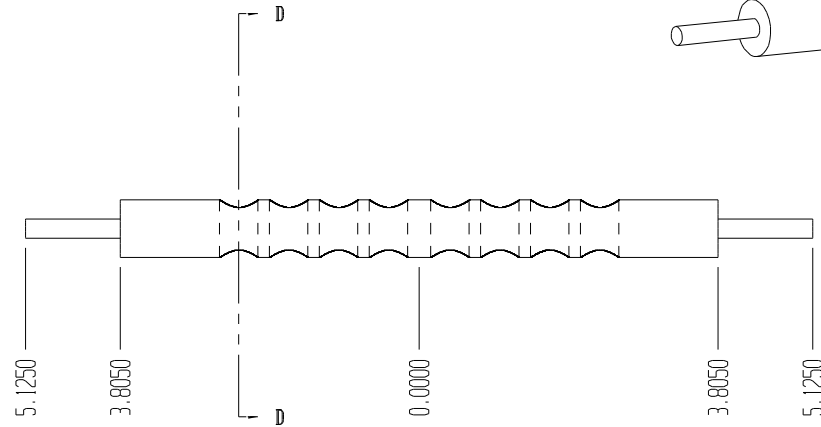
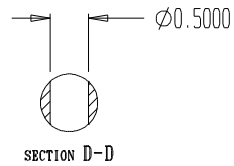
MATL TYPE: *
MATL SIZE: *
ALL DIMENSIONS IN INCHES UNLESS OTHERWISE SPECIFIED



APPROVALS
DATE
DRAWN: DHK JAN' 2002
APPROVED: * *
DESIGNER: AC OCT' 1994

ITEM	DWG NO.	TITLE	QTY
*	*	*	*
Allen Caggiano		TITLE: MID BUTTERFLY	
DO NOT SCALE DRAWING	SCALE: *	SIZE: B	DWG NO. 2071-024-F

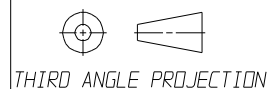
REV	DESCRIPTION	DATE	BY
*	*	*	*



NOTE; THIS DRAWING IS PROTECTED BY
US PATENT # 5,782,225

FRACTIONS ± 1/16
DECIMALS
.X ± .030
.XX ± .010
.XXX ± .005
ANGLES ± 1°

MATL TYPE: *
MATL SIZE: *
ALL DIMENSIONS IN
INCHES UNLESS
OTHERWISE SPECIFIED



APPROVALS
DRAWN: DHK
APPROVED: *
DESIGNER: AC

DATE
JAN' 2002
*
OCT' 1994

ITEM	DWG NO.	TITLE	QTY
*	*	*	*
<i>Allen Caggiano</i>		TITLE: AIR ROTORY VALVE	
DO NOT SCALE DRAWING	SCALE: *	SIZE: B	REV *
		DWG NO. 2071-025-F	